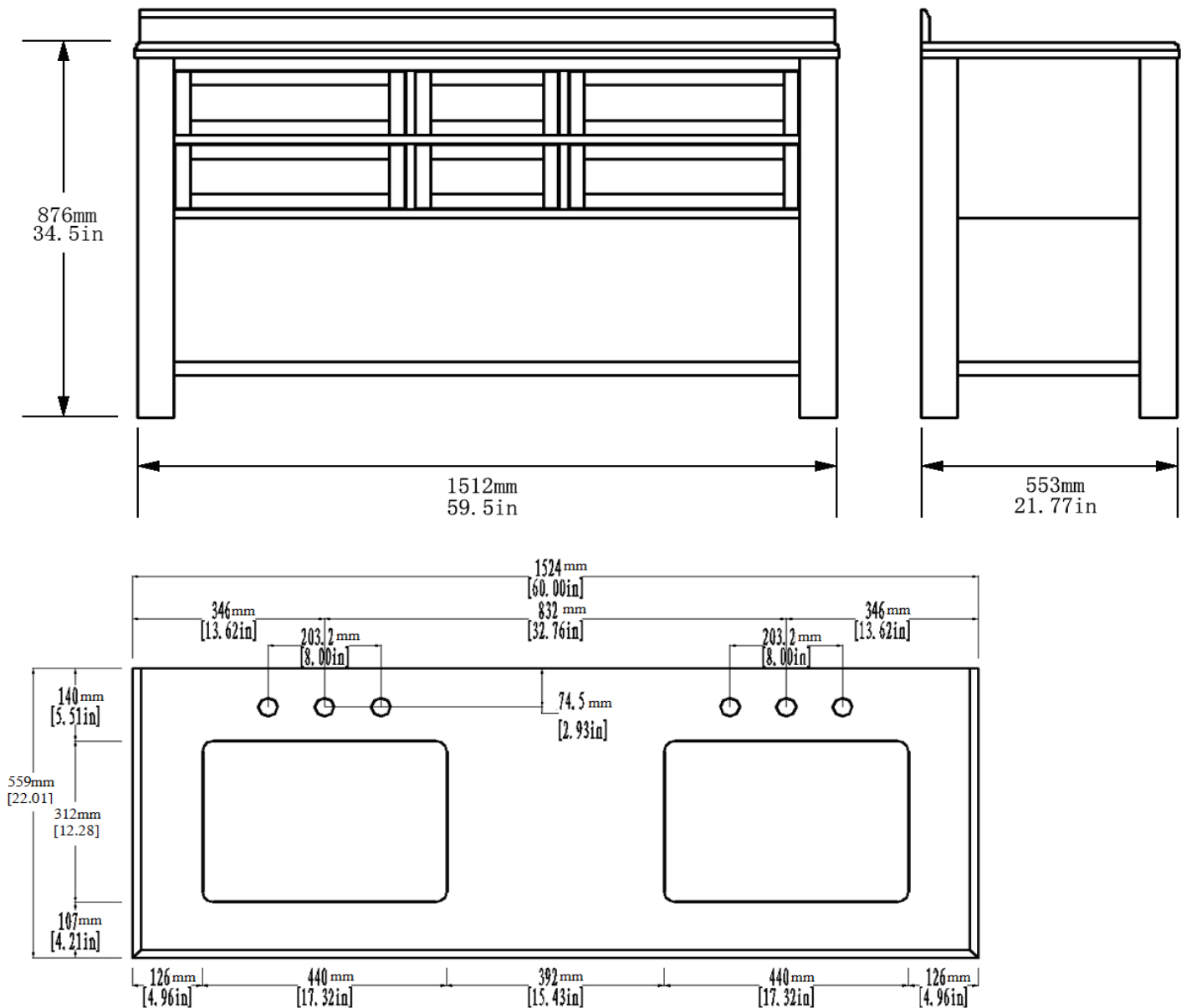


# DANNY 60 W

## Notes:

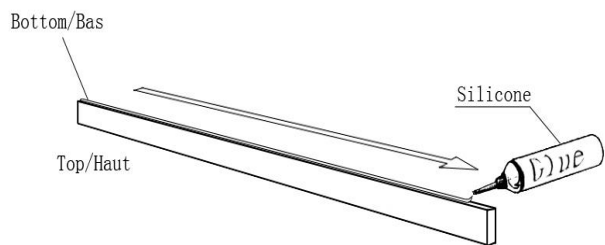
- We suggest you rough-in the water-lines and drain after receiving the unit
- The vanity should be installed by an experienced plumber
- Drain, pipe and trap are not included

## Installation instructions

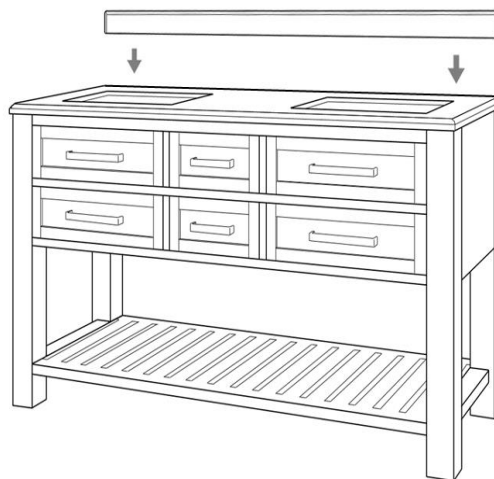


The warranty will be void if this item is installed with obvious visual defects

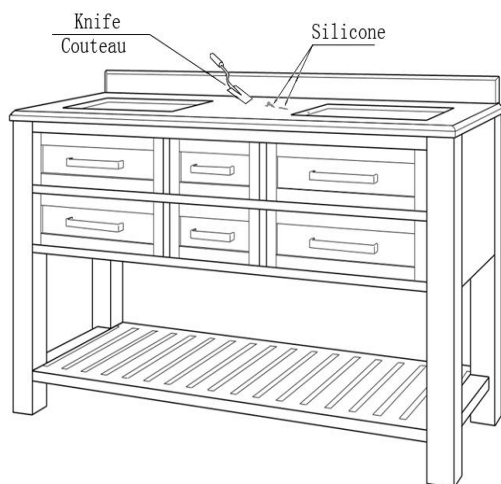
- **Glue the backsplash on the countertop using a transparent silicone and let dry**



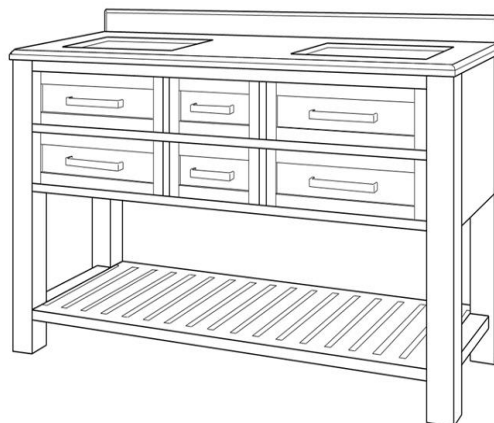
1



2



3



4



The warranty will be void if this item is installed with obvious visual defects