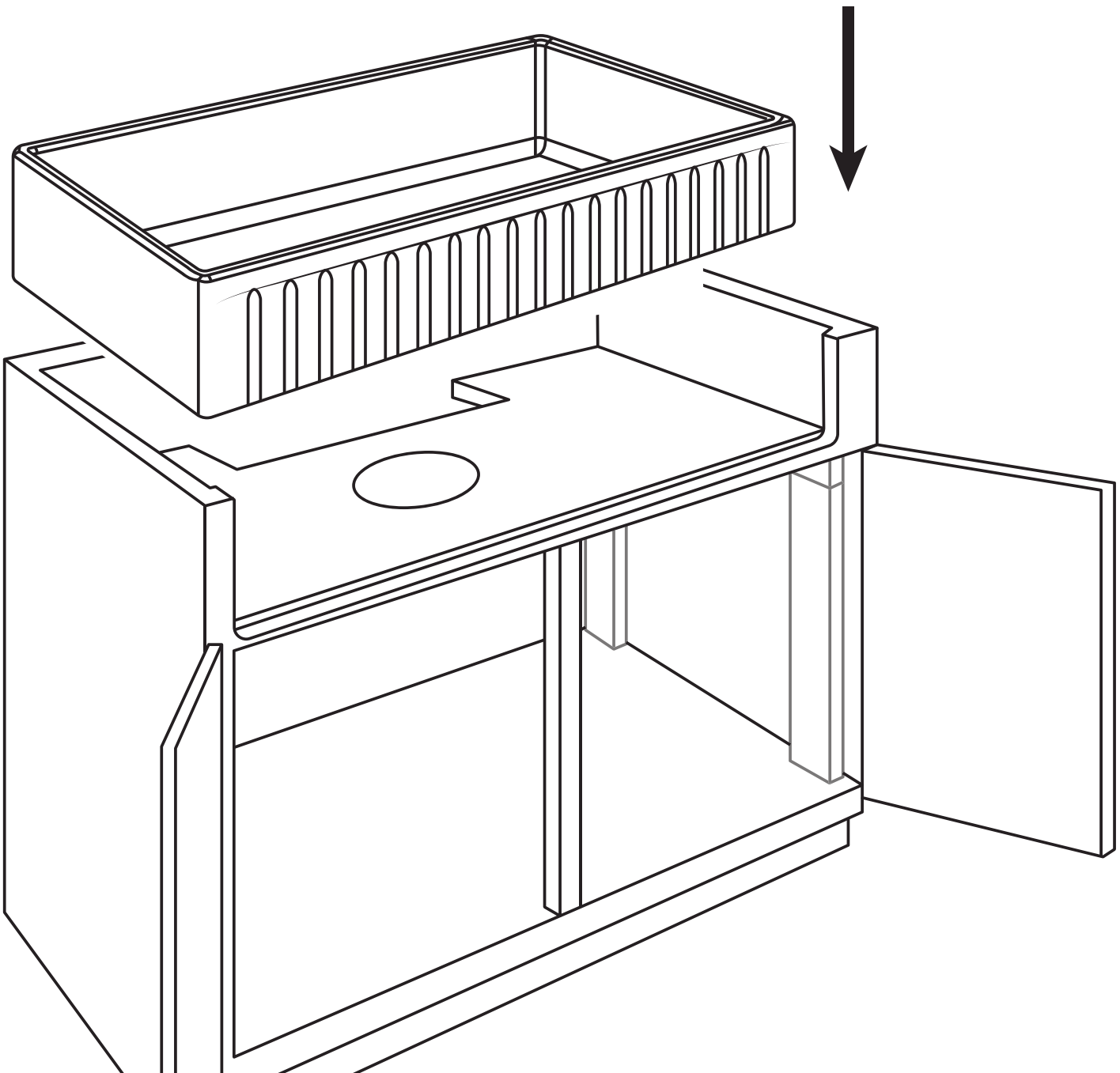




**INSTALLATION INSTRUCTIONS  
FARMHOUSE FIRECLAY KITCHEN SINK**





**CAUTION:**

Risk of personal injury or product damage. Handle with care.  
Product can break, chip, cause injury or product damage.

**WARNING:**

This product can expose you to chemicals, including lead, which is known to the state of California to cause cancer and birth defects or other reproductive harm.

For more information go to [p65warnings.ca.gov](http://p65warnings.ca.gov)

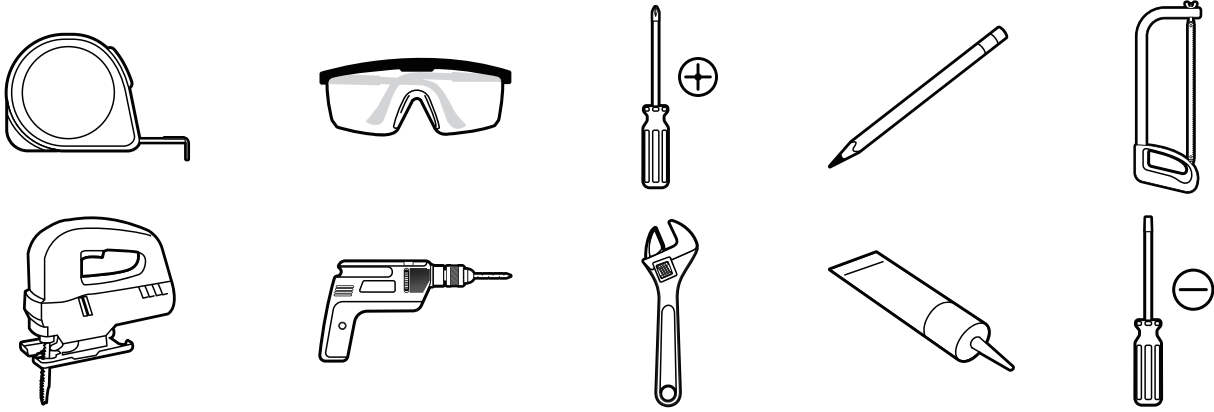
## IMPORTANT INFORMATION

- Read these instructions carefully before you begin this installation.
- Observe all applicable local plumbing and building codes.
- Superior Sinks recommends all sinks are installed by experienced and professional installers. To ensure safety and damage-free installation, this sink should be installed by two people. Superior Sinks reserves the right to revise the design of products without notice.

## BEFORE YOU BEGIN

- Before installation, inspect the sink for damage. Superior Sinks is not responsible for sink damage or any other damage during the installation.
- A custom countertop, sink base cabinet and support framing is required for proper installation. Fireclay sinks should only be installed with a solid surface countertop (i.e., granite, Corian® or Silestone®).
- The cabinet must be installed, secured, plumb, and level. Ensure the support frame fasteners are long enough to secure the support framing but short enough not to go through the walls of adjacent cabinets. Failure of this step can lead to product damage.
- Due to the dimensional variation from the fireclay manufacturing process, Superior Sinks does not offer the cutout template for fireclay sinks. Superior Sinks recommends providing the actual sink to the cabinet maker or any other contractor involved in the project. It is critical that the carpenter, tiler, and plumber coordinate the requirements of the project. Superior Sinks is not responsible for improper installations.
- Shut off the hot and cold water supplies. Inspect the drain, supply tubing, and faucets. Replace if necessary.
- Due to the variety of installations possible with this sink, you may use procedures other than those described in these instructions.

## RECOMMENDED TOOLS

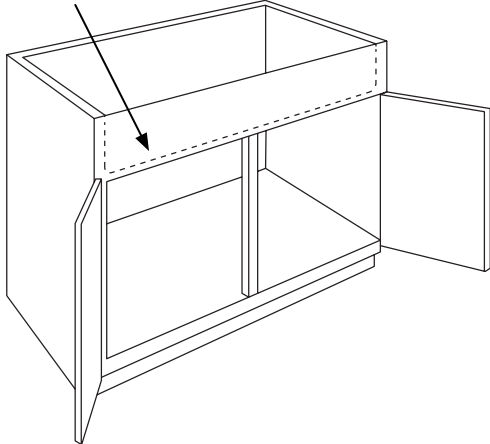


- Tape Measure
- Safety Glasses
- Painter's Tape
- Level
- Ear Protection
- Hacksaw/Jigsaw
- Pencil (Not permanent marker)
- Shims or Cabinet Fillers
- Denatured Alcohol
- Clamps
- Construction Adhesive
- Silicone Adhesive Sealant
- Support Framing Material (1 1/4" (32mm) Max Thickness)
- Screws (recommended by countertop manufacturer)

## FIRECLAY SINK INSTALLATION INSTRUCTIONS

### STEP1: BASE CABINET PREPARATION

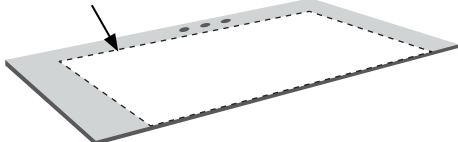
Outline for Apron Front Sink Cutout



- Measure the size of the sink, including the front apron. Cut the face of the cabinet to allow the sink to slide in.
- Use painter's tape for marking and cutting purpose to protect the cabinet and sink from damage.
- **IMPORTANT:** Due to the dimensional variation from the fireclay manufacturing process, Superior Sinks does not offer the cutout template for fireclay sinks. It is essential that prior to installation, you discuss with your installer and agree on the final appearance. Cabinet should NOT be cut or fabricated without the sink.

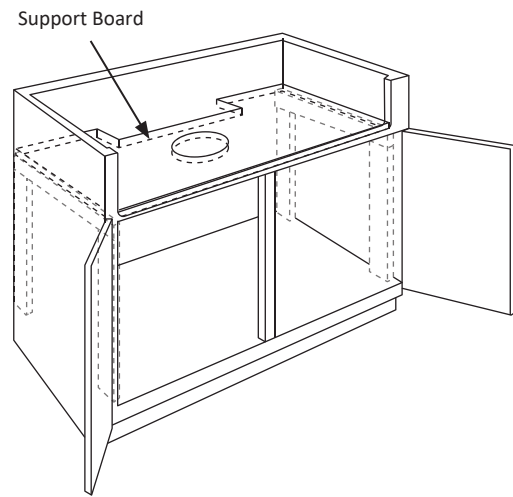
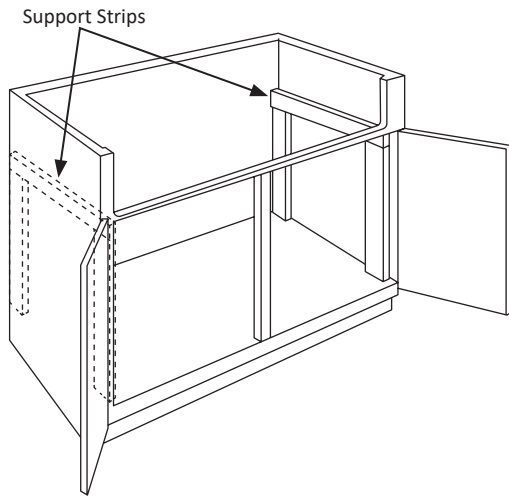
### STEP2: COUNTERTOP PREPARATION

Outline for Apron Front Sink Cutout



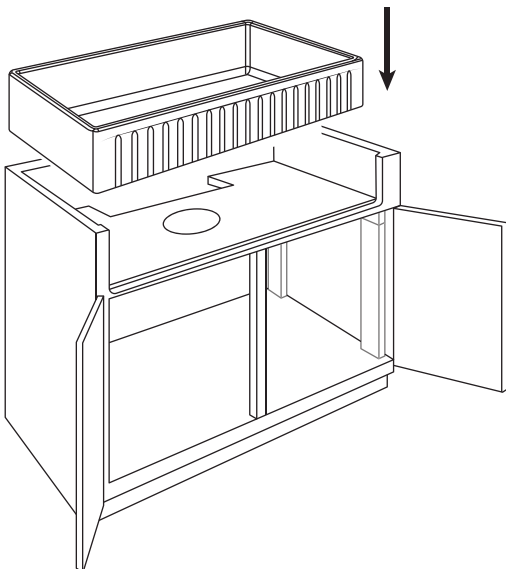
- Measure the size of the sink, including the front apron. Cut the countertop to allow the sink to slide in.

## STEP3: CABINET/SUPOORT FRAME CONSTRUCTION



- This step is to ensure that the bottom of the sink has enough support.
- Construct a wood support frame to fit inside the cabinet opening. Allow adequate clearance for the water supply lines and drainage system.
- The recommended support frame design is shown in the illustration on the left, which consists of four vertical supporting strips, two horizontal supporting strips and one supporting board. Due to the variety of installations possible with this sink, your installer may suggest a different support frame design.
- **IMPORTANT:** Base cabinet and wood support frame are essential for proper installation. The weight of the sink when full is approximately 300 lbs. Base cabinet and support frame must sufficiently support this weight.

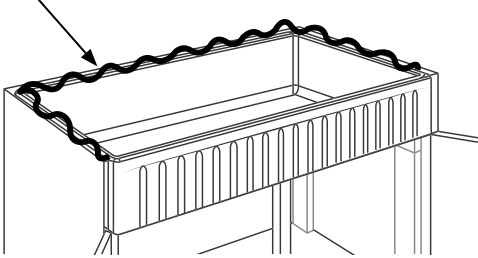
## STEP4: SINK INSTALLATION



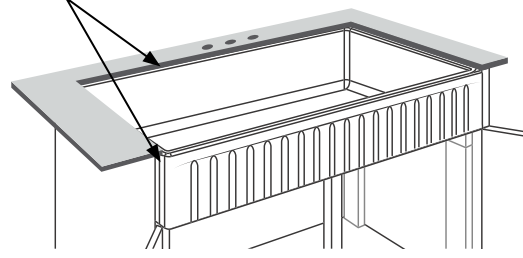
- Using two people, carefully place the sink in place. Verify that the sink can fit in the cabinet opening and rest properly on the supporting system. Make a small adjustment to fit as necessary.
- Verify the overall appearance and check for levelness to ensure correct drainage.
- **IMPORTANT:** Risk of personal injury or product damage. Handle with care. The product can break, chip, cause injury or product damage.

## STEP5: COUNTERTOP INSTALLATION

Apply Silicone Sealant After Cleaning the Sink Edge and Countertop



Apply Silicone Sealant Where the Sink Meets the Countertop and Cabinet



- After cleaning, apply a bead of silicone sealant between the top flange (or lip) of the sink and the countertop to create a watertight seal. Clean excess silicone immediately. Verify the overall appearance and check for levelness to ensure correct drainage.
- Carefully place the countertop and verify that it is level.
- **IMPORTANT:** Due to the dimensional variation from the fireclay manufacturing process, Superior Sinks does not offer the cutout template for fireclay sinks. It is essential that prior to installation, you discuss with your installer and agree on the final appearance. Cabinet should NOT be cut or fabricated without the sink.
- **IMPORTANT:** Apron front sinks from Superior Sinks should only be fastened to a solid surface countertop (i.e., granite, Corian® or Silestone®).

## FINAL STEP

- Connect water supply and drainage system per manufacturer's instructions. Run water to test for leakage.