

Château Corbel Collection

Installation Instructions:

TOOL & MATERIAL CHECKLIST

- Pencil
- Drill / screwdriver
- Screws (provided)
- Safety glasses

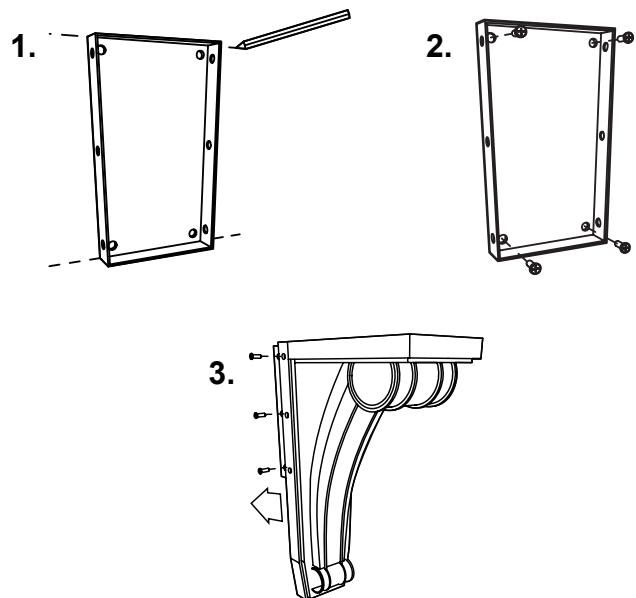
IMPORTANT INFO

- The screws provided are for mounting to a solid surface, if mounting to other surfaces (i.e. drywall) you will need to purchase additional hardware, longer screws for studs or drywall anchors.
- When a corbel is used in a load bearing application (i.e. granite or stone), each corbel can support up to 110 lbs each.
- Silicon adhesive or construction adhesive can be used on top of corbel to add additional contact surface.

INSTALL INSTRUCTIONS:

1. Determine the location you wish to install. Remove bracket from corbel by removing six screws, three on each side. Hold the plate against the wall, (*Tip: Place two pennies on top of bracket as a spacing guide.*) and mark the holes with a pencil. If the corbel is going to be used for countertop support or to display a heavy item, make sure the plate is secured to a stud.
2. Drill pilot holes into the marks on the wall and attach the plate with the four provided screws. If you plan on installing the corbel into drywall, you will need to purchase drywall anchors and screws.
3. Snap the decorative face of the corbel onto the plate. Screw the six screws into the side of the corbel to secure it into place.

EXAMPLE DIAGRAM:



Installation video available at www.jka-home.com