



ITEM #0015445

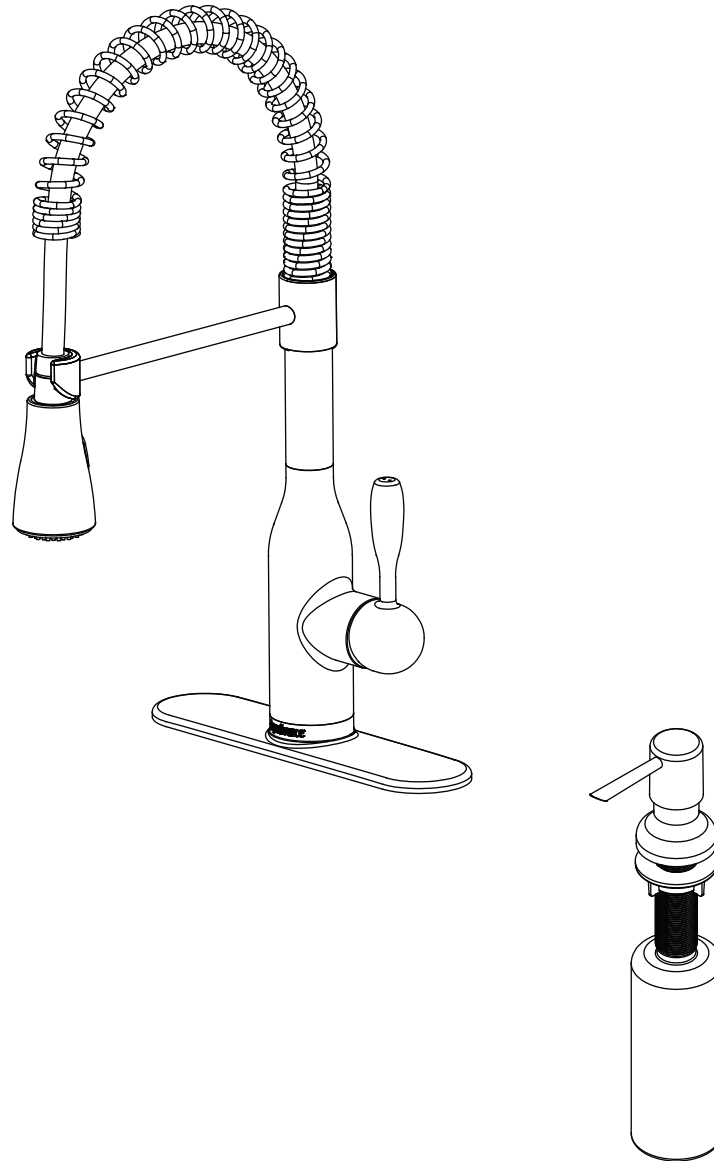
PULL-DOWN KITCHEN FAUCET

AquaSource® is a registered trademark of LF, LLC. All Rights Reserved.

MODEL #406208233

Français p. 09

Español p. 17



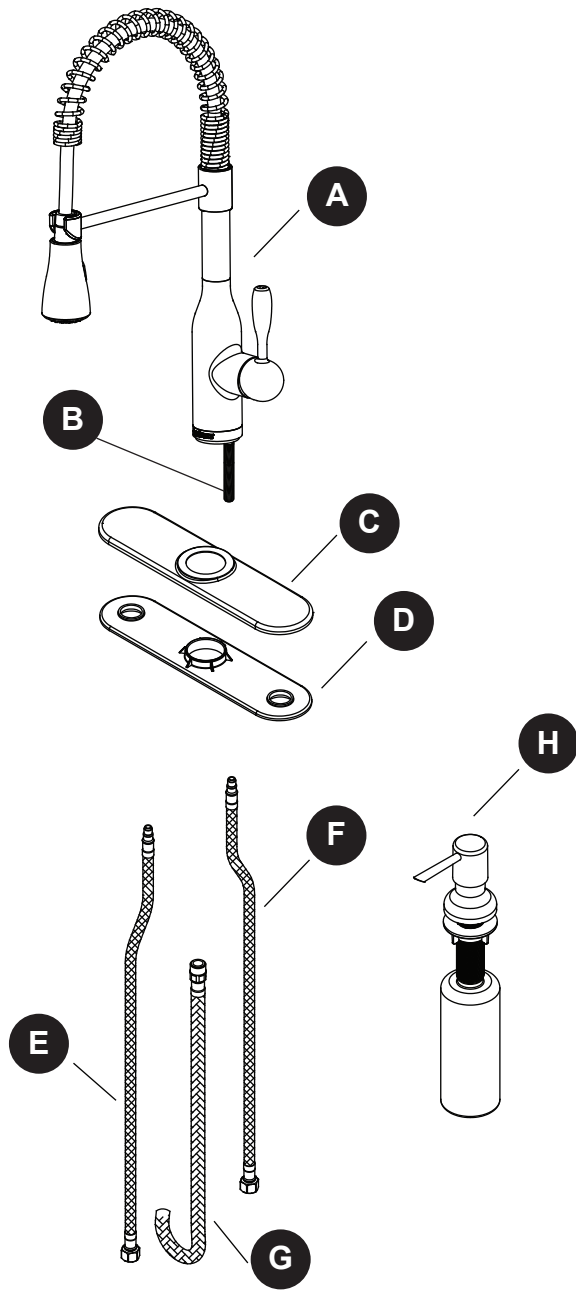
ATTACH YOUR RECEIPT HERE

Serial Number _____ Purchase Date _____



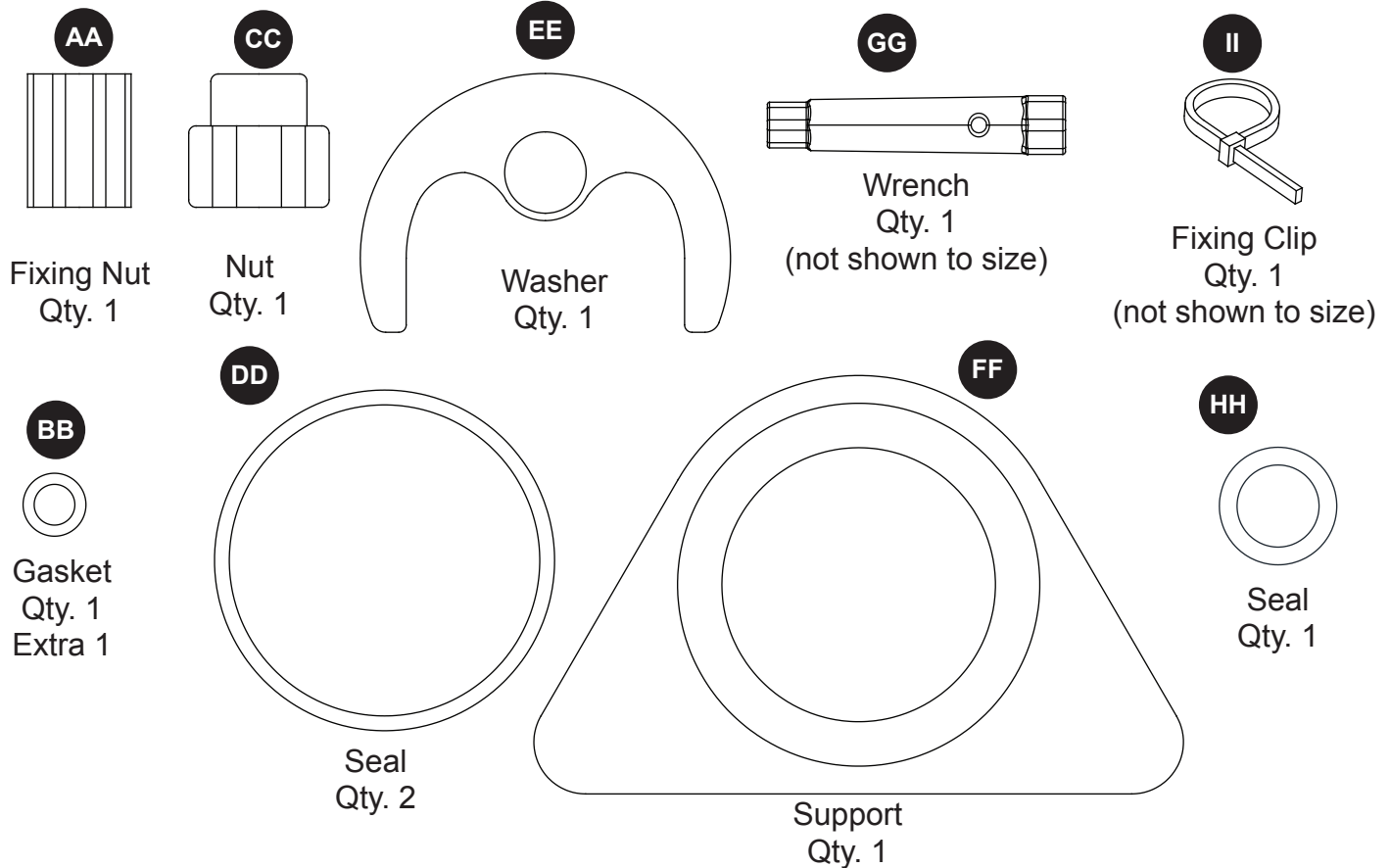
Questions, problems, missing parts? Before returning to your retailer, call our customer service department at 1-866-417-7564, 8 a.m. - 8 p.m., EST, Monday - Friday, 9 a.m. - 6 p.m., EST, Saturday.

PACKAGE CONTENTS



PART	DESCRIPTION	QUANTITY
A	Faucet	1
B	Outlet pipe	1
C	Deck plate	1
D	Putty plate	1
E	Supply hose - cold	1
F	Supply hose - hot	1
G	Spray hose	1
H	Soap dispenser	1

HARDWARE CONTENTS (shown to size)



SAFETY INFORMATION

Please read and understand this entire manual before attempting to assemble, operate or install the product. If you have any questions regarding the product, please call customer service at 1-866-417-7564, 8 a.m. - 8 p.m., EST, Monday - Friday, 9 a.m. - 6 p.m., EST, Saturday.

WARNING

- Failure to follow correct installation procedures can cause the faucet to become loose, which can result in serious injury.

CAUTION

- Follow these installation instructions carefully. Proper installation is the installer's responsibility.
- Check local building codes before beginning installation to ensure compliance.
- This product should be installed by a locally licensed plumber.

PREPARATION

Before beginning assembly of product, make sure all parts are present. Compare parts with package contents list and hardware contents above. If any part is missing or damaged, do not attempt to assemble the product. Contact customer service for replacement parts.

Estimated Assembly Time: 15 minutes

Tools Required for Assembly (not included): Plumber's putty, Adjustable wrench

Helpful Tools (not included): Groove joint pliers

ASSEMBLY INSTRUCTIONS

1. Shut off main water supply before installation. Remove old faucet. Clean sink surface. If your sink/counter does not already contain holes for faucet installation, follow sink manufacturer's instructions for drilling holes. The faucet mounting hole should be between 1-7/16 in. to 1-1/2 in. in diameter.


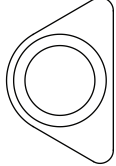
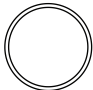

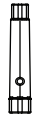
2. Attach the seal (DD) to the bottom of the faucet (A). If you will use the deck plate (C), install putty plate (D) and deck plate (C) on the sink. Install faucet (A) through top of sink. Apply plumber's putty or other sealant to the bottom edges of the putty plate (D).

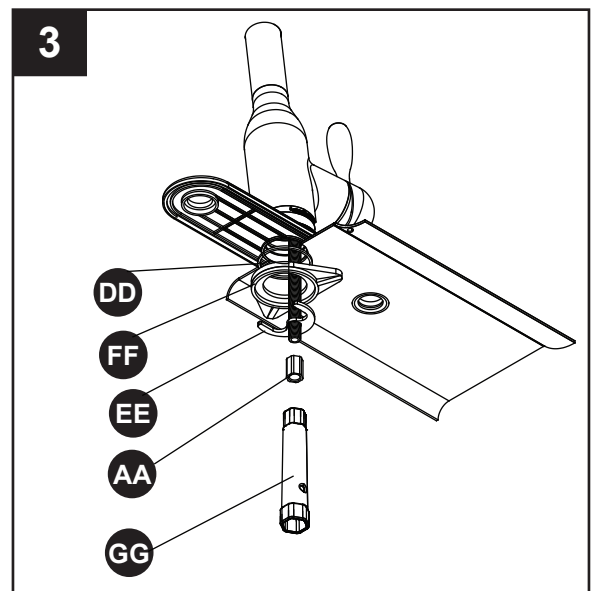
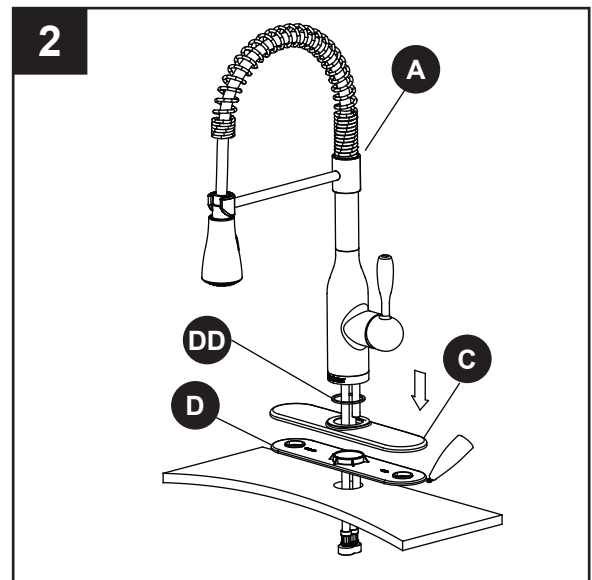
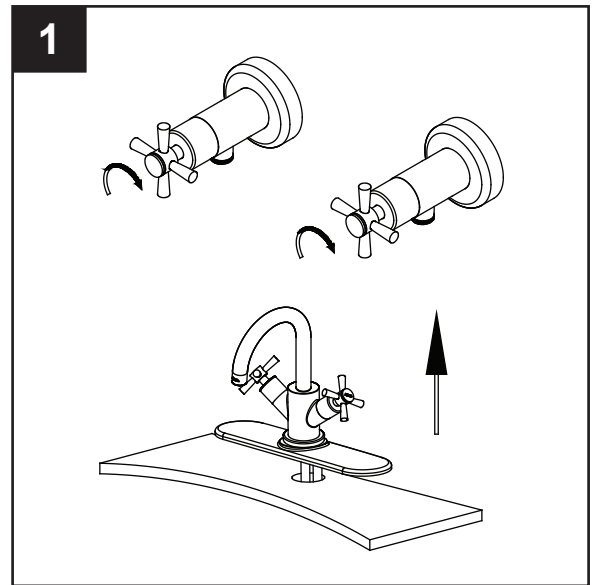
Hardware Used

DD Seal  x 1

3. From underneath sink, attach seal (DD), support (FF), washer (EE) and fixing nut (AA). Tighten with wrench (GG).

Hardware Used

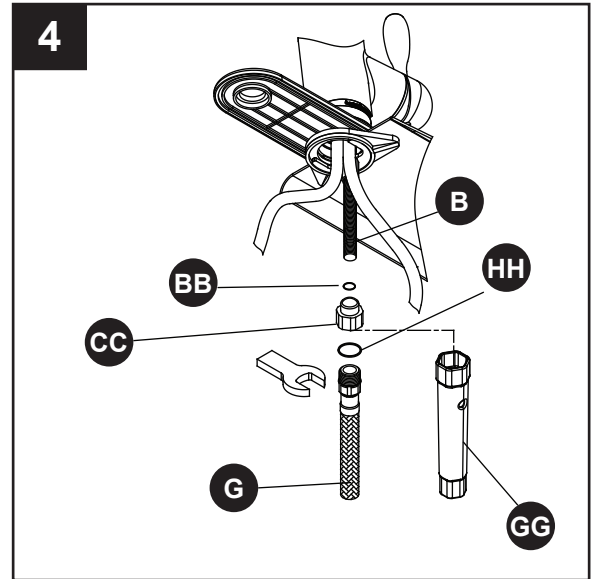
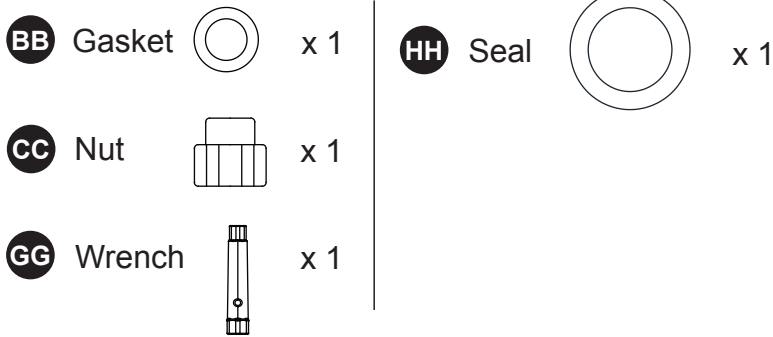
AA Fixing nut  x 1	FF Support  x 1
DD Seal  x 1	
EE Washer  x 1	GG Wrench  x 1



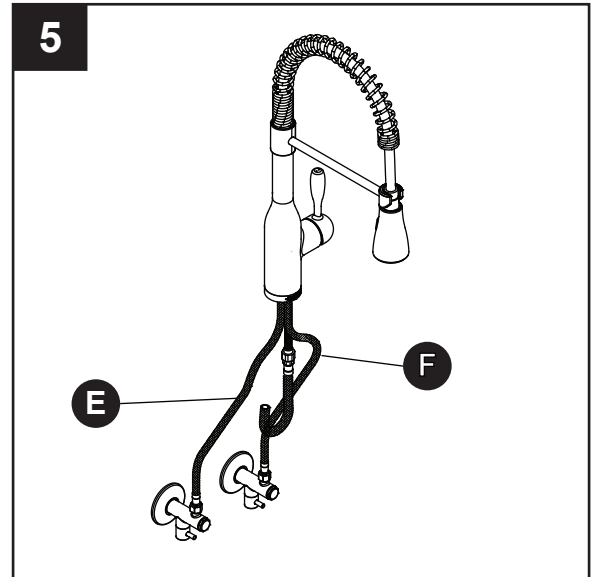
ASSEMBLY INSTRUCTIONS

4. Place the gasket (BB) inside the nut (CC). Thread the nut (CC) to the outlet pipe (B) and tighten with the wrench (GG). Attach spray hose (G) to the nut (CC).

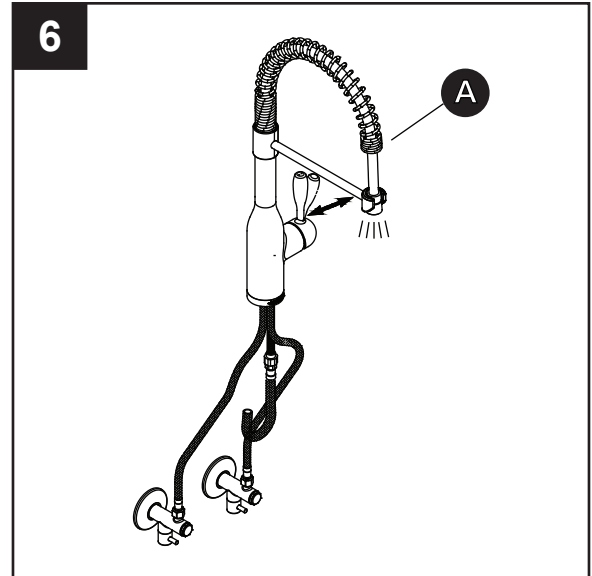
Hardware Used



5. Attach supply hose - cold (with blue stripes) (F) to cold water valve and supply hose - hot (with red stripes) (E) to hot water valve. Open the water valves and check for leaks at supply line connection.

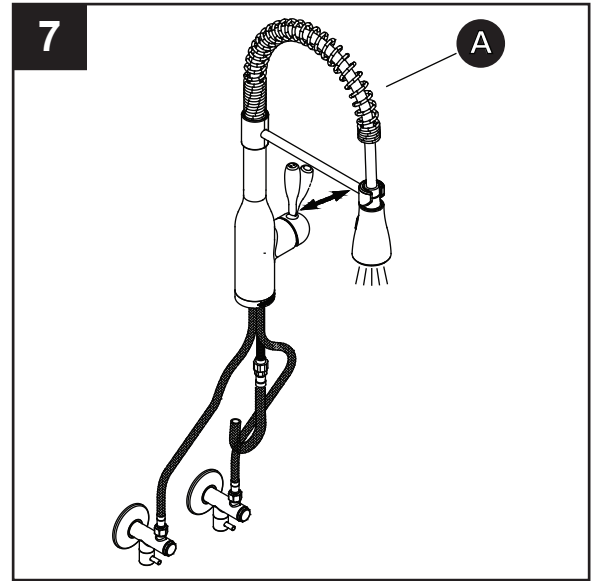


6. Remove spray head from faucet (A) and turn on water for 30 seconds to remove debris from the lines.

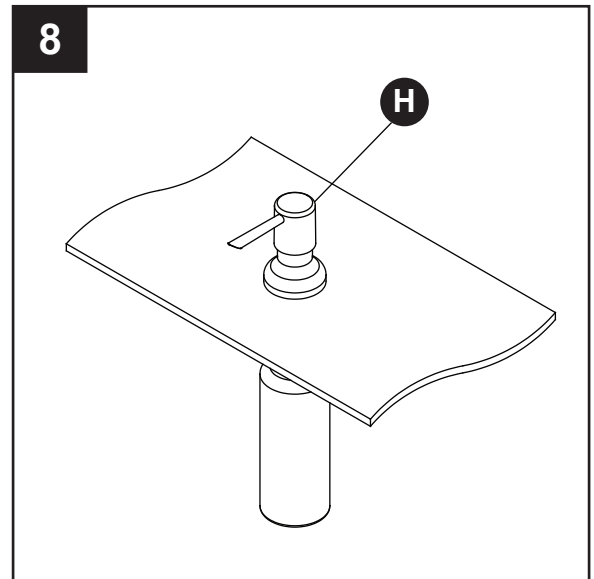


ASSEMBLY INSTRUCTIONS

7. Re-assemble spray head. Push the button of the spray head to alternate the spray between stream and spray.



8. Insert soap dispenser (H) through desired mounting hole. From underneath sink, tighten nut until the escutcheon is firmly held in place and attach bottle of soap dispenser (H).



CARE AND MAINTENANCE

- To maintain and protect the fine luster of your faucet, clean with a soft, damp cloth only.
- Do not use detergent or cleanser that may harm the finish.

TROUBLESHOOTING

If you have any questions regarding the product, please call customer service at 1-866-417-7564, 8 a.m. - 8 p.m., EST, Monday - Friday, 9 a.m. - 6 p.m., EST, Saturday.

PROBLEM	POSSIBLE CAUSE	CORRECTIVE ACTION
Leak from handle.	1. Damaged cartridge.	1. Remove handle. Replace cartridge.
Aerator leaks or has an inconsistent water flow pattern.	1. Aerator is dirty or misfitted.	1. Unscrew the aerator to check rubber packing or replace the aerator.

LIMITED LIFETIME WARRANTY

The manufacturer warrants this faucet to be free from defects in workmanship and material present at time of shipment from the factory for a limited lifetime from the date of purchase. This warranty applies only to the original purchaser. The manufacturer agrees to correct such defects at no charge or, at our option, replace the faucet with a comparable or superior model.

To obtain warranty service, call our customer service department at 1-866-417-7564 for return authorization and shipping instructions. You may be required to present a copy of your sales receipt as proof of purchase. All cost of removal and reinstallation are the expressed responsibility of the purchaser. Any damage to the faucet by accident, misuse or improper installation, or by affixing accessories not produced by the manufacturer, are the purchaser's responsibility.

The manufacturer assumes no responsibility whatsoever for faucet installation during the warranty period. There is no further expressed warranty.

The manufacturer disclaims any and all implied warranties. The manufacturer shall not be liable for incidental, consequential or special damages arising at or in connection with product use or performance except as may otherwise be accorded by law.

This warranty gives you specific legal rights, and you may also have other rights which vary from state to state.

This warranty supersedes all prior warranties.

REPLACEMENT PARTS LIST

For replacement parts, call our customer service department at 1-866-417-7564, 8 a.m. - 8 p.m., EST, Monday - Friday, 9 a.m. - 6 p.m., EST, Saturday.

PART	DESCRIPTION	PART #
1	Spring	412223004
2	Faucet body group	406226110
3	Seal	410803029
4	Spray check valve	402126106
5	Hand spray	406238002
6	Aerator	402133031
7	Check valve	402126008
8	Ceramic cartridge	402135001
9	Fixing nut	410618012
10	Cover	416215045
11	Handle	416212016
12	Screw	112222056
13	Ring	416215044
14	Seal	110803723
15	Deck plate	416215042
16	Putty plate	410834006
17	Support	110824553
18	Washer	110717088
19	Fixing nut	110718402
20	Gasket	110803777
21	Nut	110714275
22	Seal	110803526
23	Spray hose	406239004
24	Supply hose - cold	402139001
25	Supply hose - hot	402139002

