



# Two Tier Illumifalls Patio Pond

ITEM #PPKIBRB

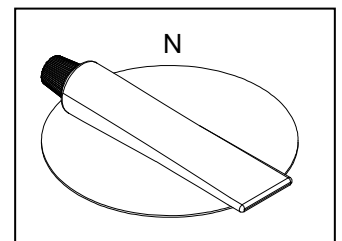
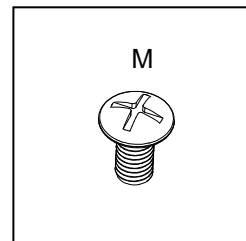
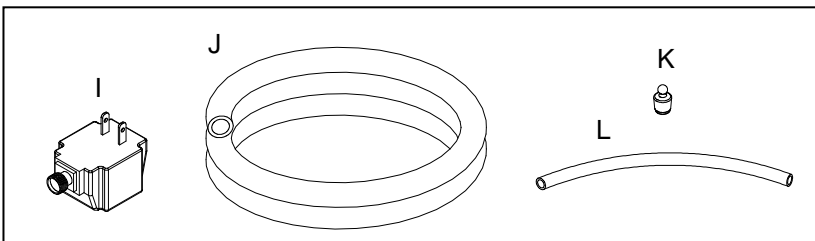
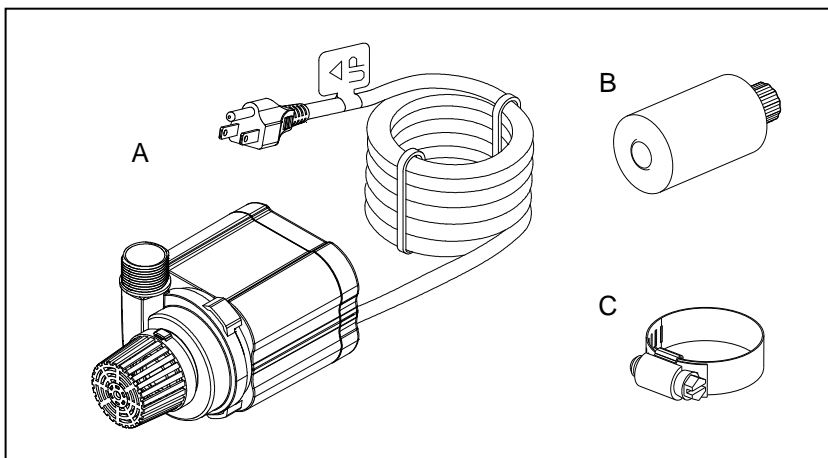
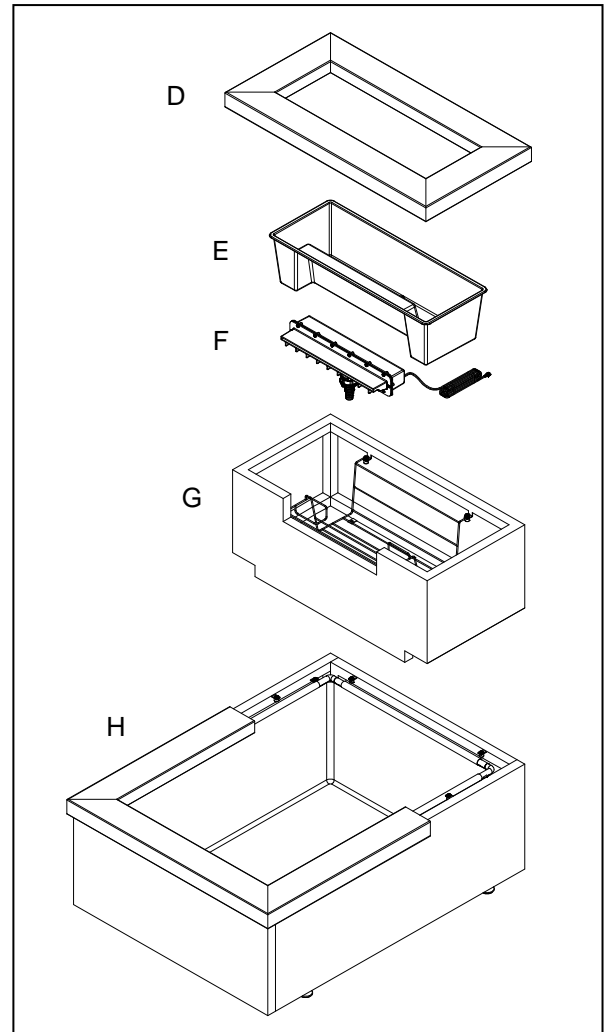
**REMINDER**  
**CALL 1-888-755-4497**  
**BEFORE RETURNING TO STORE.**



**Questions, problems, missing parts?** Before returning to your retailer, call our customer service department at 1-888-755-4497, 8 a.m.-6 p.m., EST, Monday-Friday, or email us at [customer care@smart-pond.com](mailto:customer care@smart-pond.com).

## PACKAGE CONTENTS

| Part | Description           | Quantity |
|------|-----------------------|----------|
| A    | Pump                  | 1        |
| B    | Prefilter             | 1        |
| C    | Hose clamp            | 1        |
| D    | Aluminum trim         | 1        |
| E    | Planter Basket        | 1        |
| F    | Illumifalls           | 1        |
| G    | Upper section         | 1        |
| H    | Lower section         | 1        |
| I    | Transformer           | 1        |
| J    | 1" ID tubing (3 feet) | 1        |
| K    | Stopper               | 1        |
| L    | 1/2" tubing           | 1        |
| M    | Bolt                  | 4        |
| N    | Liner patch kit       | 1        |



**PLEASE CALL 1-888-755-4497 BEFORE RETURNING TO THE STORE.**  
**WWW.SMART-POND.COM**

## WARNINGS AND CAUTIONS – PUMP

---

### WARNING

- Risk of electrical shock. This pump is supplied with a grounding conductor and grounding-type attachment plug. To reduce the risk of electric shock, be certain that it is connected only to a properly grounded, grounding-type receptacle (GFCI).
- Do not exceed the voltage shown on the pump.
- Always disconnect pump from the power source before beginning any maintenance or work on the pump.
- Inspect cord for damage before installation and/or maintenance. Replace the entire pump assembly if damage is found.
- Do not remove the grounding pin from the power cord plug.
- Risk of electrical shock: This pump has not been investigated for use in swimming pools or marine areas.

### CAUTION

- This pump has been evaluated for use with fresh water only.
- Use a proper power source as indicated on the pump label.
- Keep the cord away from high temperatures or other heat sources.
- Do not pump heated liquids.
- Do not let the pump run dry. Pump must be completely submerged for proper operation and cooling.
- Operate in fresh water only. Avoid heavily chlorinated water and water with high pH levels.
- Do not lift the pump by its power cord.

## WARNINGS AND CAUTIONS – LIGHTED SPILLWAY

---

### WARNING

- To reduce the risk of electrical shock, connect only to a properly grounded, grounding type receptacle (GFCI).
- Do not exceed the input voltage shown on the transformer.
- Do not submerge the transformer.
- To reduce the risk of fire or injury, keep spillway away from materials that may burn.
- Always disconnect spillway from the power source before beginning any maintenance or work on the spillway.
- Inspect cord for damage before installation and/or maintenance. Replace the entire light/transformer assembly if damage is found.

### CAUTION

- Use a proper power source as indicated on the transformer label.
- Keep the cord away from high temperatures or other heat sources.
- Do not lift the light or the transformer by its power cord.
- This light assembly is not intended for use in swimming pools or hot tubs.

## PREPARATION

---

Before beginning assembly or operation of product, make sure all parts are present. Compare parts with package contents list and diagram above. If any part is missing or damaged, do not attempt to assemble, install or operate the product. Contact customer service for replacement parts.

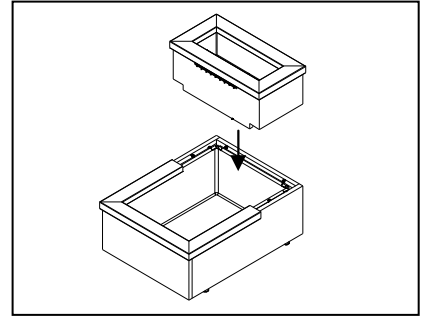
- Estimated Assembly Time: 15 minutes
- Tools required for assembly: flathead screwdriver, hacksaw.



**PLEASE CALL 1-888-755-4497 BEFORE RETURNING TO THE STORE.**  
**WWW.SMART-POND.COM**

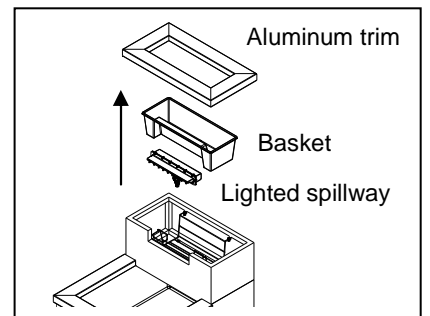
## OPERATION INSTRUCTIONS

1. Select a level location to assemble the Patio Pond. Then place the upper section on to the lower section. Fig. 1



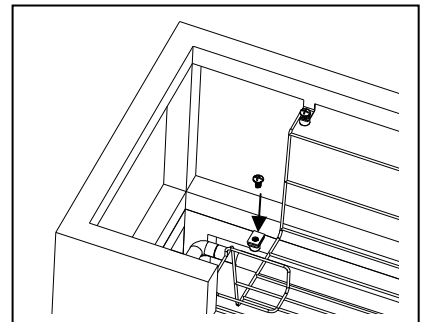
**Fig. 1**

2. Remove the aluminum trim, the planter basket and the lighted spillway from the upper section. Fig. 2



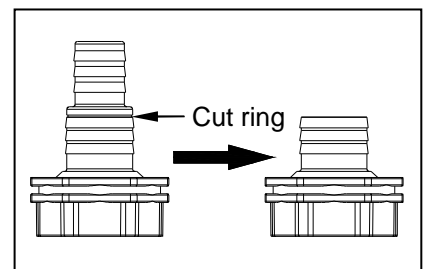
**Fig. 2**

3. Fasten the two sections together with the supplied fasteners. Fig. 3



**Fig. 3**

4. For maximum water flow, cut the adapter as shown using a hacksaw. Fig. 4

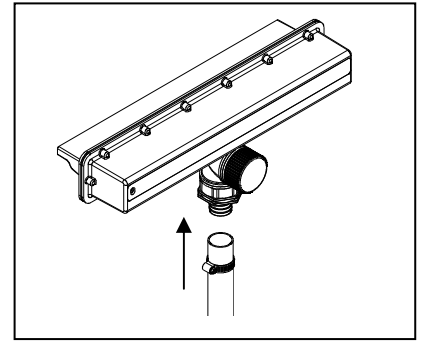


**Fig. 4**



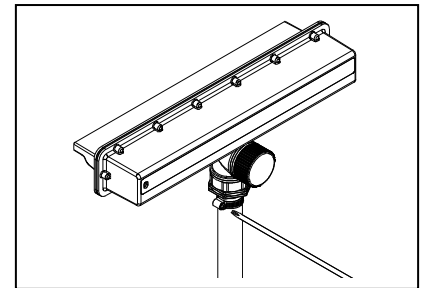
PLEASE CALL 1-888-755-4497 BEFORE RETURNING TO THE STORE.  
WWW.SMART-POND.COM

5. Slip the hose clamp on to the tubing but do not tighten it. Connect the tubing to the inlet of the spillway using the adapter. Fig. 5



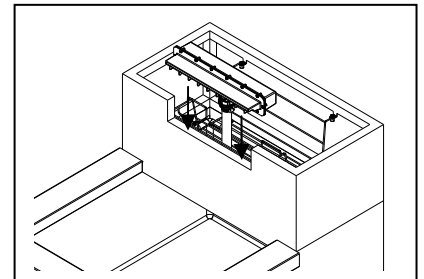
**Fig. 5**

6. Tighten the hose clamp using a flathead screwdriver. Fig. 6



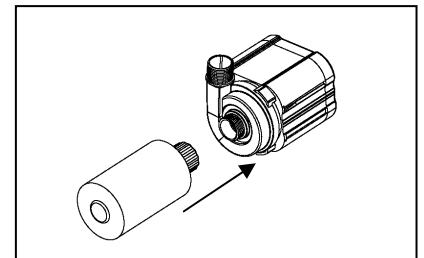
**Fig. 6**

7. Place the lighted spillway back inside the patio pond. Fig. 7



**Fig. 7**

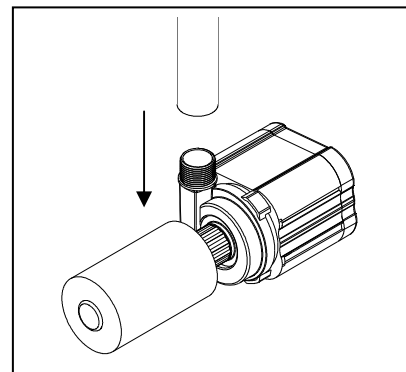
8. Remove the front screen from the pump and connect the prefilter to the front of the pump. Fig. 8



**Fig. 8**

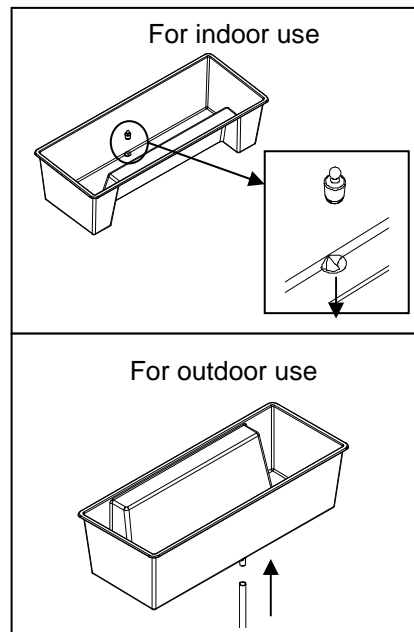


9. Place the pump inside the basin and connect the tubing to the pump. Fig. 9



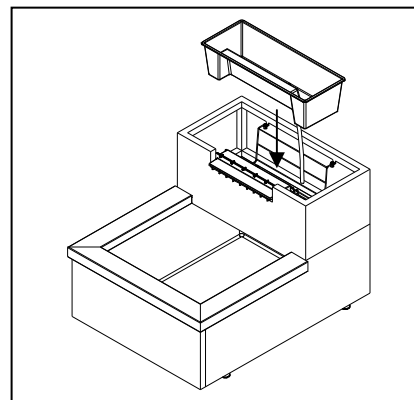
**Fig. 9**

10. The planter basket has a drain hole. For indoor use, use the rubber stopper and insure it is seated properly. Fill it with water to insure there is no leakage. For outdoor use, do not use the rubber stopper instead connect the tube to the adapter. Fig. 10



**Fig. 10**

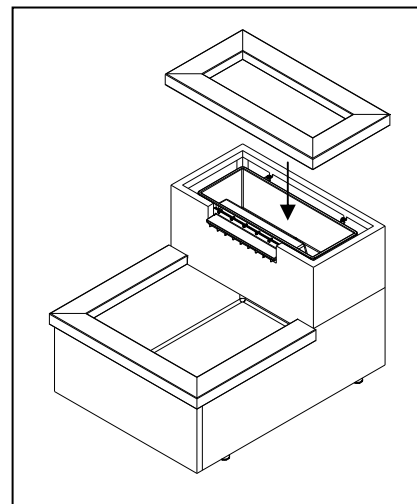
11. Replace the basket on tray. Note: if the basket connect with the tube, it is important to insure that the planter drain tube is behind the liner of the reservoir to insure that dirt and debris from the planter do not enter the reservoir. Fig. 11



**Fig. 11**

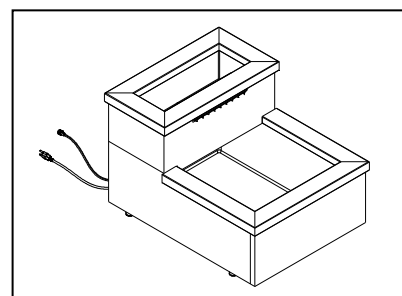


12. Replace the aluminum trim on upper section. Fig.12



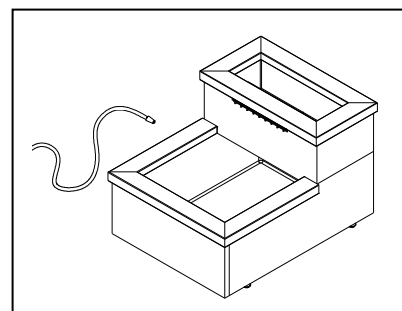
**Fig. 12**

13. Route the cord of the pump and lighted spillway through the back rattan between the liner and the inside wall of the rattan. Fig. 13



**Fig. 13**

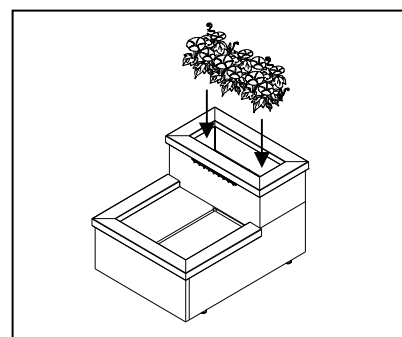
14. Fill the basin with water, make sure that the plug on basin is closed. Check for leakage. If there is a leak, use the liner patch kit provided. Fig. 14



**Fig. 14**

15. Place plants in the planter basket. Fig. 15

NOTE: Plants are NOT INCLUDED.



**Fig. 15**



**PLEASE CALL 1-888-755-4497 BEFORE RETURNING TO THE STORE.  
WWW.SMART-POND.COM**

16. Connect the spillway to the transformer by pushing the plug into the transformer socket until it is firmly seated. Hand tighten the nut from the plug to the socket. Fig. 16

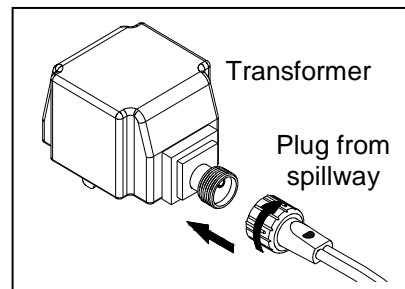


Fig. 16

17. Plug the transformer into a properly grounded electrical outlet. Fig. 17

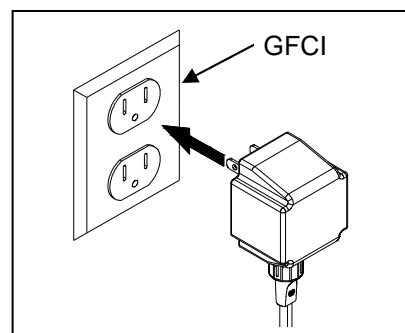


Fig. 17

18. Connect the pump to a proper power source. Fig. 18

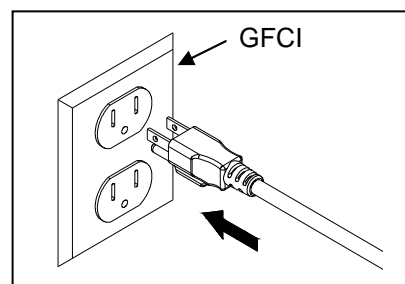


Fig. 18

### CARE AND MAINTENANCE – PUMP

- Clean the pump and filter regularly depending upon the environment in which it is operated. Clean the pump when it is visibly soiled or when a drop in performance is detected.
- Before cleaning, always disconnect the pump from the power source.
- Remove all parts from the pump and clean in warm, soapy water.
- Disassemble the pump cover and remove the impeller cover to expose the impeller assembly. Use a soft cloth or brush to clean the impeller assembly and the inside of the impeller housing. Refer to the diagram in the replacement parts list.

### CARE AND MAINTENANCE –SPILLWAY

- Clean the spillway regularly depending upon the environment in which it is operated. Clean the spillway when it is visibly soiled or when a drop in performance is detected.
- Before cleaning, always disconnect the transformer from the power source.
- Use a dryer brush to clean the inside of the spillway. We recommend using a 3" long brush, approximately 1" thick or any brush that will fit inside the front of the spillway opening.



PLEASE CALL 1-888-755-4497 BEFORE RETURNING TO THE STORE.  
WWW.SMART-POND.COM

## **TROUBLESHOOTING**

---

If the light fails to illuminate:

- Check that it is getting power by testing another appliance in the same power outlet.
- Check to make sure the spillway is properly connected to the transformer.

If the pump fails to operate:

- Check to make sure the power cord is plugged in and the pump is getting power.
- Check the pump outlet and any tubing, for kinks or obstructions.
- Remove the inlet screen and/or pump cover, and impeller cover to expose the impeller. Turn the impeller to ensure that it is not broken or jammed. Also check to make sure that the ceramic shaft or bearings are not broken.

If the performance of the spillway is not satisfactory or does not flow evenly:

- Check to make sure the pump is completely submerged in water.
- Check to make sure the impeller and the housing are clean.
- Check to make sure the spillway is clean.



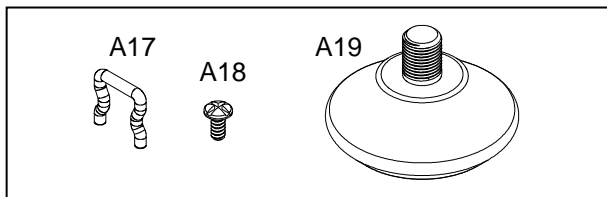
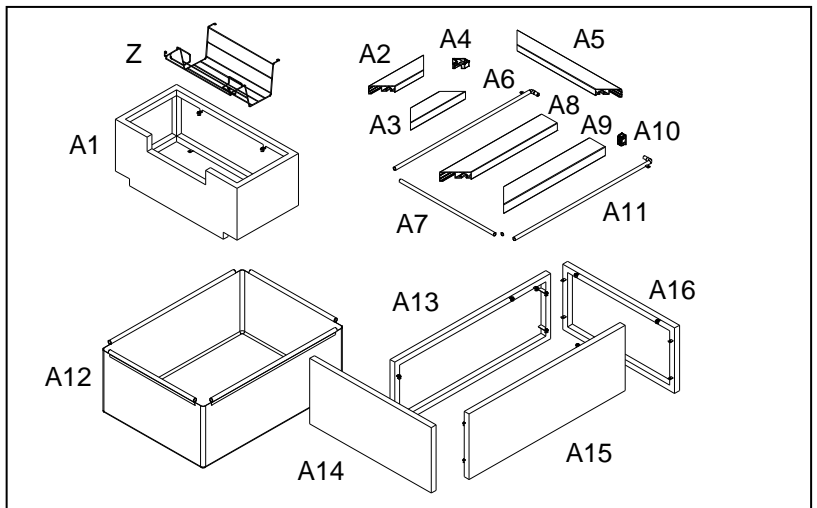
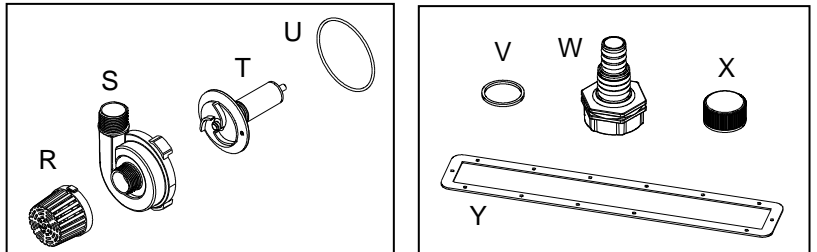
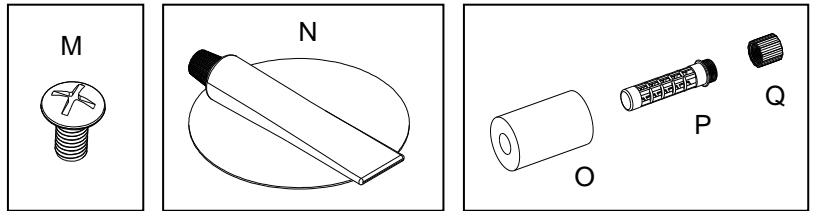
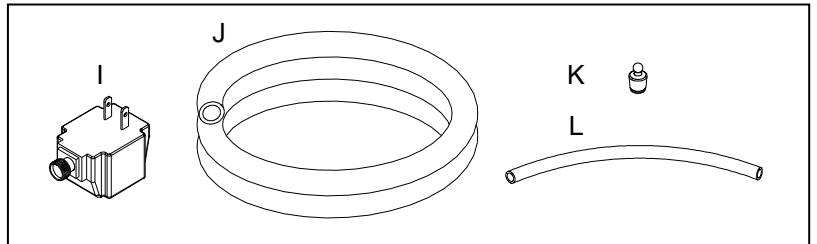
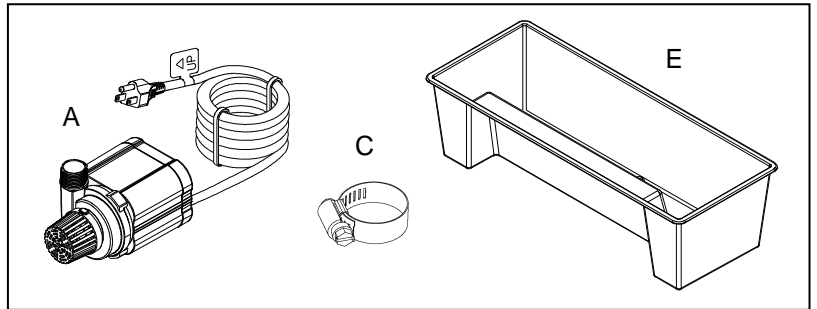
**PLEASE CALL 1-888-755-4497 BEFORE RETURNING TO THE STORE.  
WWW.SMART-POND.COM**



## REPLACEMENT PARTS LIST

For replacement parts, call our customer service department at 1-888-755-4497, 8 a.m.-6 p.m., EST, Monday-Friday.

| Part | Description                 |
|------|-----------------------------|
| A    | Pump                        |
| C    | Hose clamp                  |
| E    | Basket                      |
| I    | Transformer                 |
| J    | 1" ID tubing (3 feet)       |
| K    | Stopper                     |
| L    | 1/2" tubing                 |
| M    | Bolt                        |
| N    | Liner patch kit             |
| O    | Filter pad                  |
| P    | Filter holder               |
| Q    | Coupler                     |
| R    | Inlet screen                |
| S    | Impeller housing            |
| T    | Impeller assembly           |
| U    | O-ring                      |
| V    | Adapter gasket              |
| W    | Adapter                     |
| X    | Cap                         |
| Y    | Waterfall gasket            |
| Z    | Tray                        |
| A1   | Upper frame                 |
| A2   | Left aluminum frame         |
| A3   | Right aluminum frame        |
| A4   | Bracket                     |
| A5   | Front/back aluminum frame   |
| A6   | Left dowel                  |
| A7   | Front/back dowel            |
| A8   | Left bottom aluminum frame  |
| A9   | Right bottom aluminum frame |
| A10  | Cap-bottom aluminum frame   |
| A11  | Right dowel                 |
| A12  | Liner                       |
| A13  | Left bottom frame           |
| A14  | Front bottom frame          |
| A15  | Right bottom frame          |
| A16  | Back bottom frame           |
| A17  | Clip                        |
| A18  | Screw                       |
| A19  | Foot                        |



Printed in China



PLEASE CALL 1-888-755-4497 BEFORE RETURNING TO THE STORE.  
WWW.SMART-POND.COM