

# BREW EXPRESS®

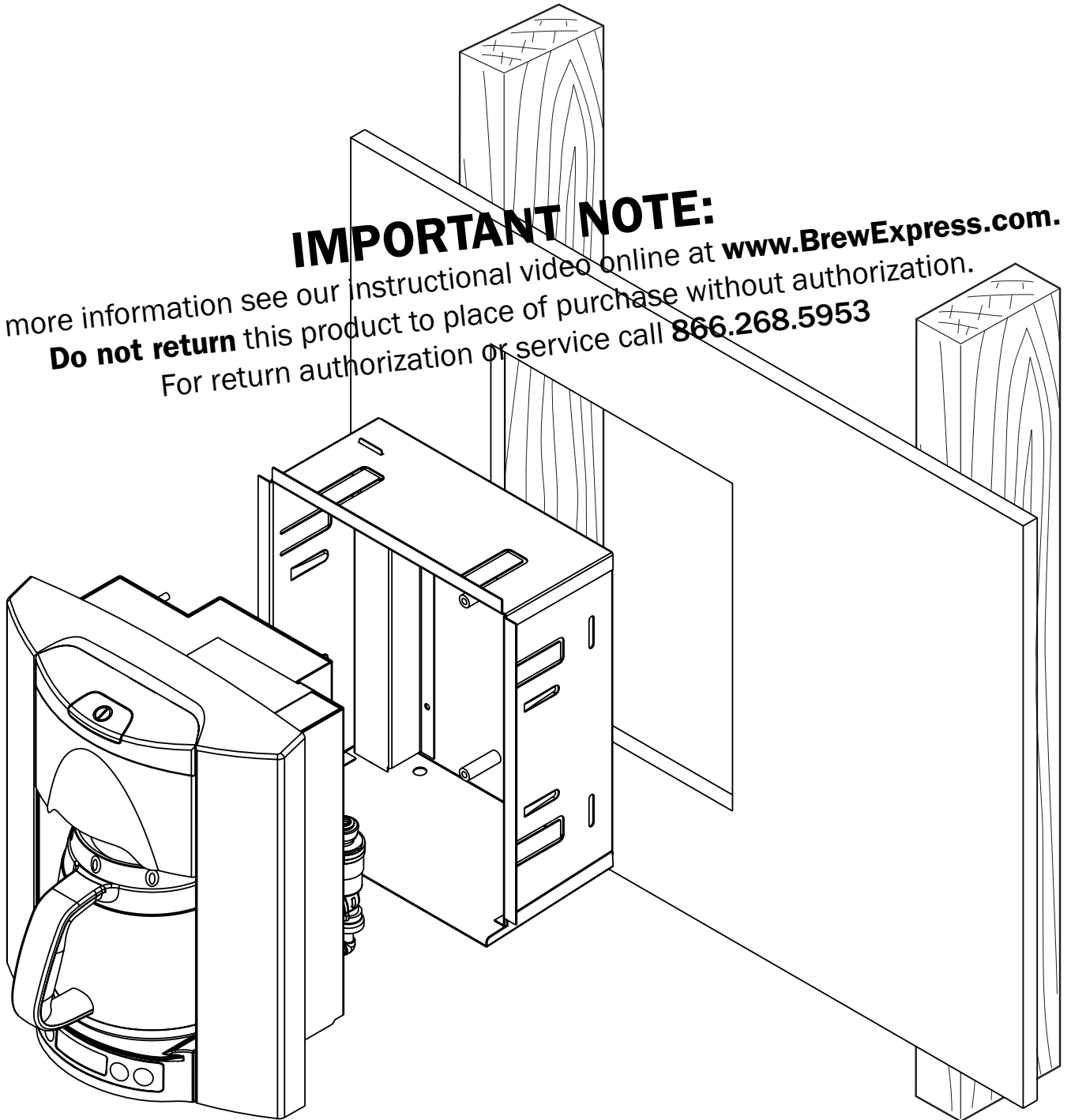
## INSTALLATION GUIDE

model # BE-104 & BE-110

Note - BE-104R shown in illustrations.

### IMPORTANT NOTE:

For more information see our instructional video online at [www.BrewExpress.com](http://www.BrewExpress.com).  
**Do not return** this product to place of purchase without authorization.  
For return authorization or service call **866.268.5953**





# CONTENTS

<b>1. Safety</b> .....	<b>1 - 2</b>
<b>2. Getting Started</b> .....	<b>3</b>
<b>3. Hardware/Tools</b> .....	<b>4</b>
<b>4. Specification and Requirements</b> .....	<b>5-6</b>
<b>5. Location (area of Installation)</b> .....	<b>7</b>
<b>6. Water Installation</b> .....	<b>8</b>
<b>7. Power Installation</b> .....	<b>9</b>
<b>8. Brewer Installation</b> .....	<b>10 - 14</b>
<b>9. Testing</b> .....	<b>15</b>

# SAFETY

## IMPORTANT SAFEGUARDS

When using electrical appliances, basic safety precautions should always be followed, including the following:

1. Read all Instructions.
2. Do not touch hot surfaces. Use handles or knobs.
3. The voltage and frequency of the supply connections should conform to those of the rating label.
4. Close supervision is necessary when any appliance is used by or near children.
5. Allow to cool before putting on or taking off parts, and before cleaning the appliance.
6. Do not operate any appliance after the appliance malfunctions or has been damaged in any manner. Call Brew Express and discuss problem with customer service.
7. The use of accessory attachments not recommended by the appliance manufacturer may result in fire, electric shock or injury to persons.
8. Do not use outdoors.
9. Check specifications on page 5 for proper water pressure requirements of this product.
10. Do not place on or near a hot gas or electric burner, or in a heated oven.
11. The appliance should be installed in a place not easily reached by children.
12. Do not use appliance for other than intended use.
13. To reduce the risk of shock, discontinue use of the appliance if water leakage occurs.
14. To reduce the risk of electric shock, do not mount over a sink.
15. To reduce the risk of fire, do not place any heating or cooking appliance beneath the appliance.
16. To reduce the risk of fire, do not mount unit over or near any portion of a heating or cooking appliance.
17. To reduce the risk of fire, do not store anything directly on top of the appliance surface when the appliance is in operation.

SAVE THESE INSTRUCTIONS

**IMPORTANT:**

**Read and follow instructions carefully before installing your BREW EXPRESS in-the-wall COFFEE SYSTEM.**

**FOR BEST RESULTS, IT IS ADVISED THAT YOU HIRE A QUALIFIED PROFESSIONAL.**

 **WARNING**

**Always turn off all power at main electrical panel before attempting to install BREW EXPRESS. Improper electrical wiring could cause a fire hazard. All wiring MUST be performed in accordance with local electrical codes. Installation must be performed by a qualified electrician, or equivalent.**

 **WARNING**

**Always turn off water supply at source when installing BREW EXPRESS. Improper installation of water supply could cause poor performance or leaks which may lead to dry rot and cause structure damage to building. Be certain water supply is leak free. Hire a qualified plumber if necessary.**

 **WARNING**

**The BREW EXPRESS dispenses extremely hot water. Hot liquids may cause severe burns if it contacts skin. Use extreme caution when handling hot liquids dispensed by the BREW EXPRESS. KEEP HANDS AWAY FROM SPRAY HEAD, BREW BASKET, CARAFE OR MUG DURING BREW CYCLE. This product is intended for brewing hot water for beverages only and may not be used in any other way.**

 **WARNING**

**Check distance between wall cavity studs and check for obstacles inside the wall to ensure BREW EXPRESS will fit in desired location. Normal cavity is 14.5" wide and 4" deep. Hire a qualified professional if necessary.**

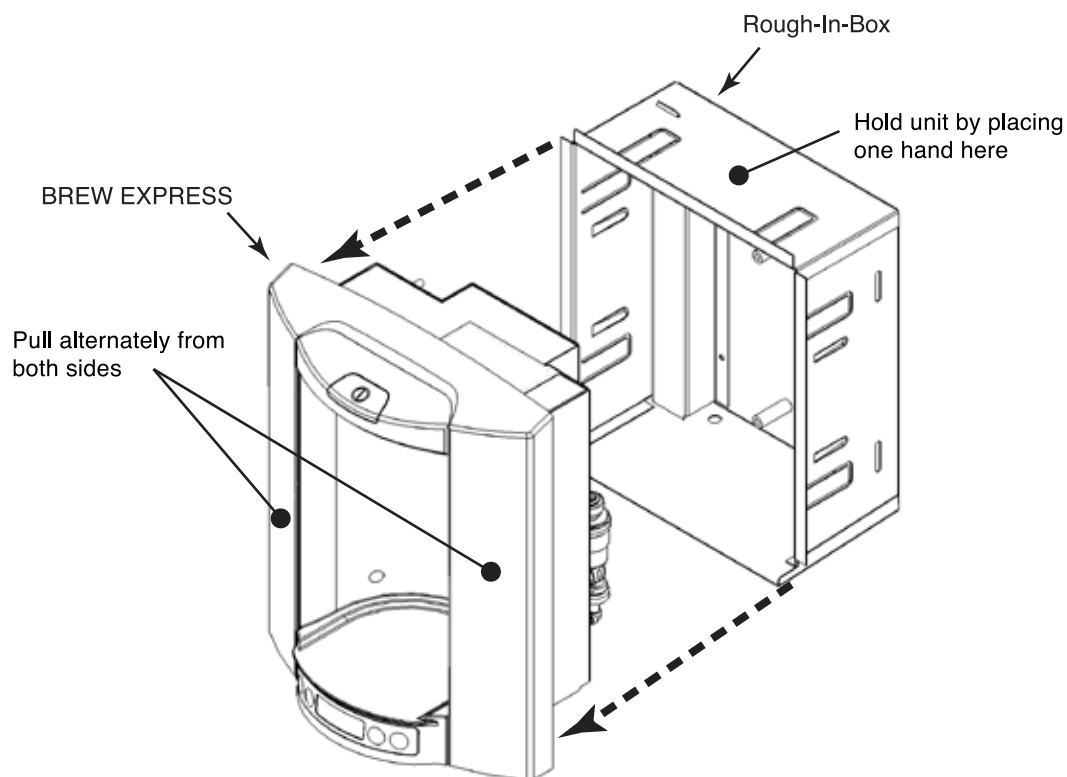
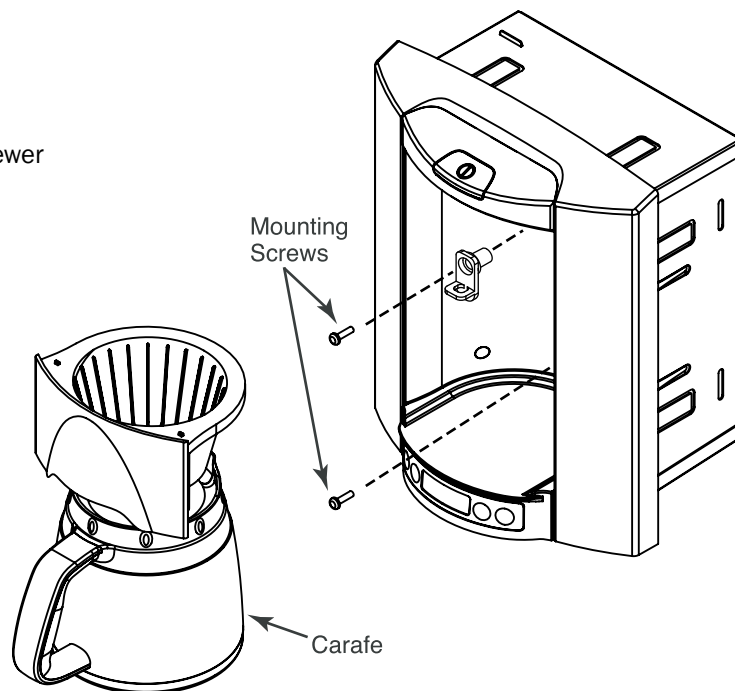
# GETTING STARTED

## IMPORTANT:

Read and follow instructions carefully before installing your BREW EXPRESS in-the-wall COFFEE SYSTEM. For best results, it is advised that you hire a qualified professional.

## Getting Started

1. Carefully unpack BREW EXPRESS from gift box.
2. Remove carafe and brew basket from brewing unit. If brewer includes carafe lock, press on lever to remove carafe.
3. Remove hardware kit from inside brew basket.
4. Remove mounting screws from behind carafe and brew basket. The top mounting screw holds the carafe lock bracket.
5. Separate brewer from Rough-In-Box by holding the Rough-In-Box with one hand, and pulling the brewer with the other hand (see figure below).



## HARDWARE

---

BREW EXPRESS comes supplied with the following items to ensure a successful installation. Check to be certain all items have been included with your brewer.

- (1) Brewer (with short water line attached to connect with incoming water line)
- (1) Rough-in-Box
- (1) Carafe and lid
- (2) Brew Baskets (1 basket style, 1 cone style)
- (1) Installation Guide
- (1) Operation Guide
- (1) Template (for cutting hole for Rough-in-Box)
- (1) Hardware Kit: (located in brew basket)
  - (6) Sheet rock screws for mounting rough-in-box.
  - (3) Wire nuts
  - (1) Male Quick Connector (for connection between Coffee System Unit and Rough-in-Box)

## TOOLS REQUIRED

---

The following tools are required for installation:

- Tape Measure
- Utility Knife
- Phillips Screw Driver
- Pencil
- Wire Stripper
- Stud Finder
- Pliers
- Level
- Caulking Gun
- Silicone Caulk
- Safety Glasses
- AC Power Sensor
- Crescent Wrench
- Reciprocating Saw (optional)
- Tile Cutting Bit (optional)
- Electric drill and drill bits

## PARTS REQUIRED (not supplied)

---

- Strain relief (Romex wire clamp)
- 12-2 wire (per local code)
- 1/4" Poly or copper line (refrigerator ice maker kit) continuous length recommended.
- Water filter
- Wire Nuts
- Valve Connection (optional)

# SPECIFICATIONS AND REQUIREMENTS

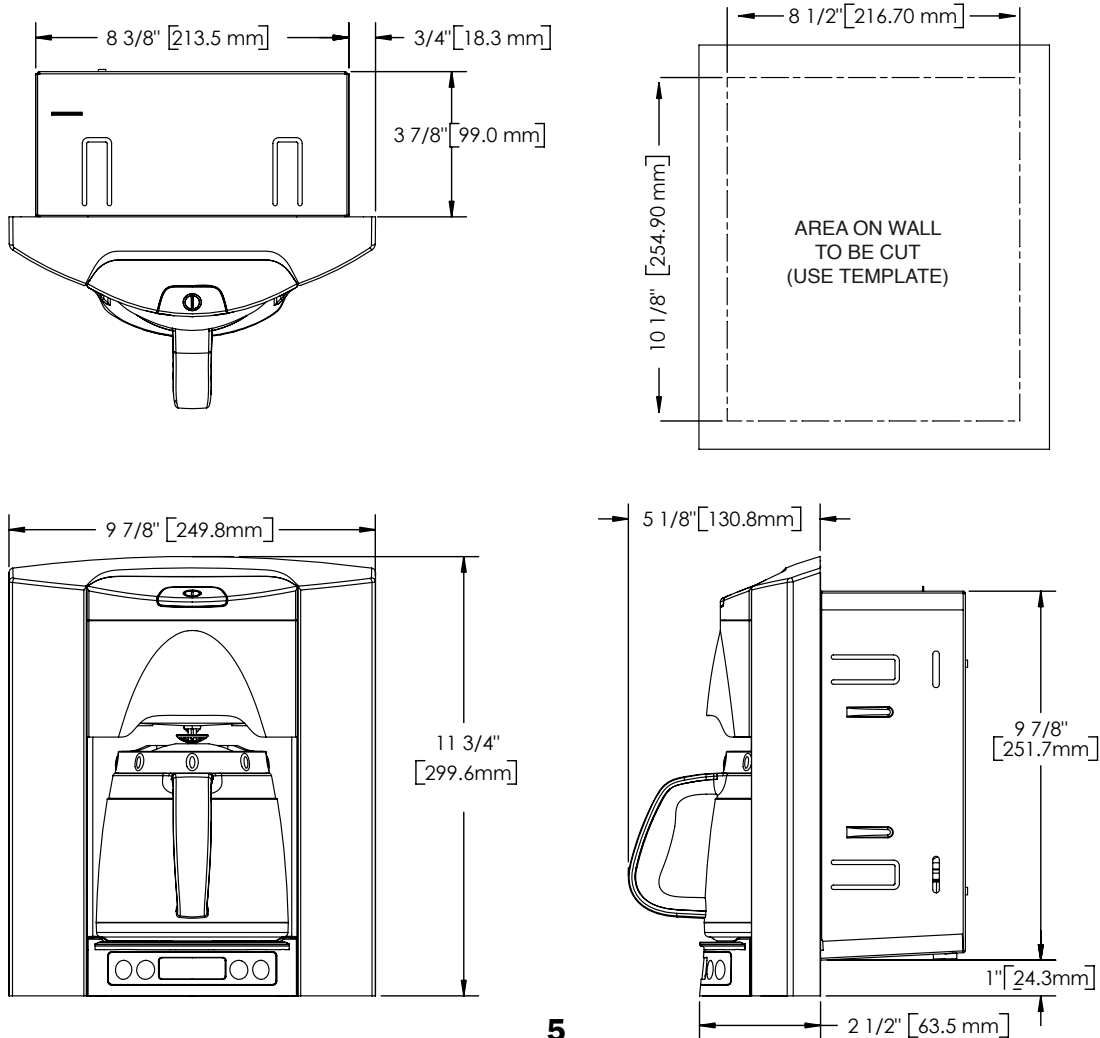
## BE-104 SPECIFICATIONS: (Specs for the BE-110 are on page 6)

Read and follow instructions carefully before installing your BREW EXPRESS in-the-wall COFFEE SYSTEM. For best results, it is advised that you hire a qualified professional.

1. **Overall Dimensions** (Finished Unit with Rough-in-Box) approximately 9.9" x 11.8" (see below).
2. **Dimensions for Rough-in-Box** (Mounting Structure) approximately 8.5" x 10.1" x 4".
3. **Electrical Requirements** 120VAC, 60HZ. (1400 watts).
4. **Water Requirements** 1/4" OD water supply line (copper or poly) minimum 30 psi to a maximum of 90 psi. Potable COLD water is required.

**NOTE:** If water is not available, an alternate water dispenser jug (5 gallons) can be used with the optional pump accessory (not supplied). Contact Brew Express for more information.

**Please Note: A filter is required for all hard water sources and recommended for regular standard soft water.** A shut off valve at water source is recommended. The filter, such as an ice maker type filter, can easily be installed at the source. If water lines are not purged or clear of debris or a filter is NOT installed, foreign particles (debris) in water may clog brewer system causing failure, and will void all warranties.





# SPECIFICATIONS AND REQUIREMENTS

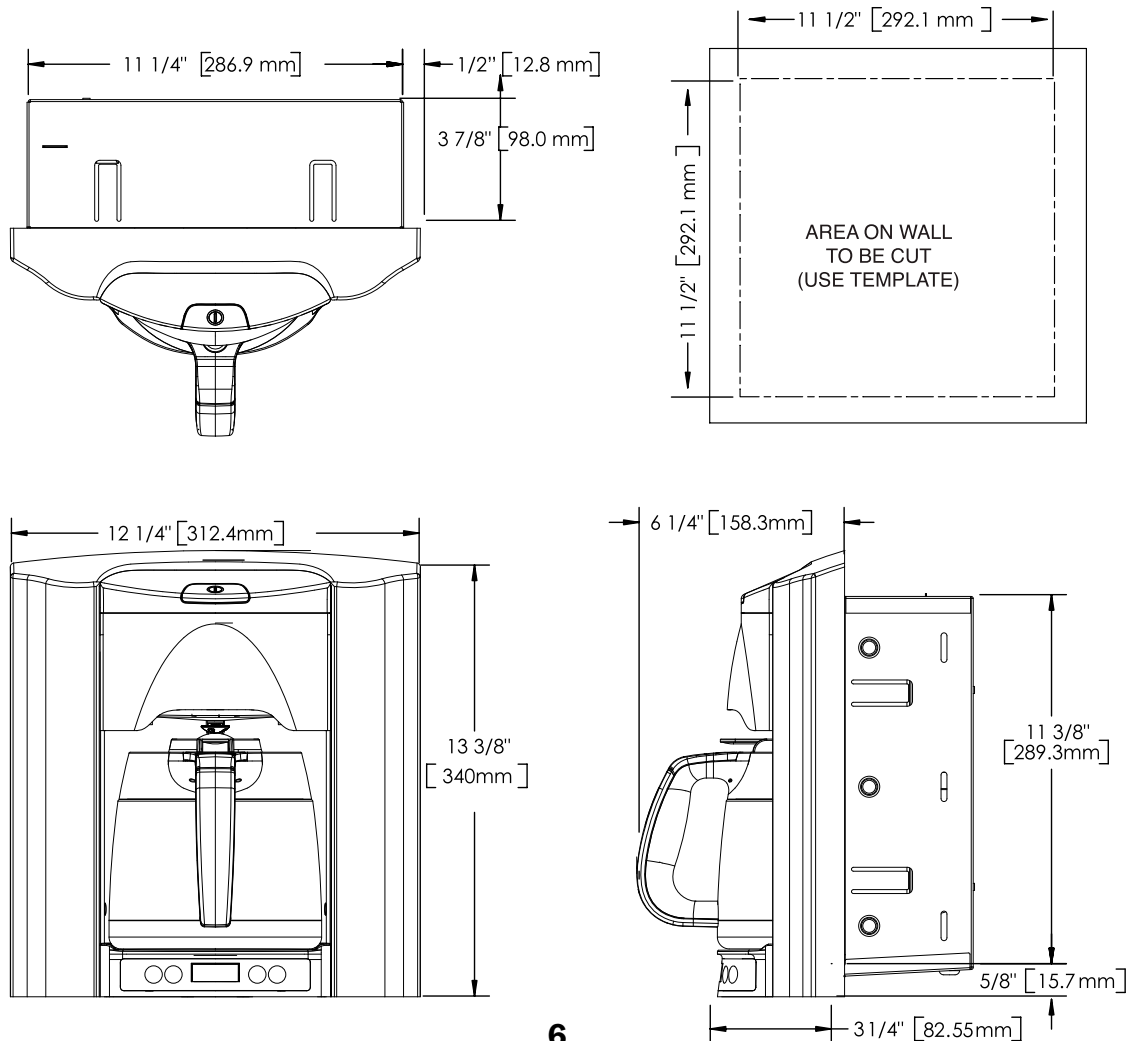
## BE-110 SPECIFICATIONS: (Specs for the BE-104 are on page 5)

Read and follow instructions carefully before installing your BREW EXPRESS in-the-wall COFFEE SYSTEM. For best results, it is advised that you hire a qualified professional.

1. **Overall Dimensions** (Finished Unit with Rough-in-Box) approximately 12 1/4" X 13 3/8" (see below).
2. **Dimensions for Rough-in-Box** (Mounting Structure) approximately 11.5" X 11.5".
3. **Electrical Requirements** 120VAC, 60HZ. (1400 watts).
4. **Water Requirements** 1/4" OD water supply line (copper or poly) minimum 30 psi to a maximum of 90 psi. Potable COLD water is required.

**NOTE:** If water is not available, an alternate water dispenser jug (5 gallons) can be used with the optional pump accessory (not supplied). Contact Brew Express for more information.

**Please Note: A filter is required for all hard water sources and recommended for regular standard soft water.** A shut off valve at water source is recommended. The filter, such as an ice maker type filter, can easily be installed at the source. If water lines are not purged or clear of debris or a filter is NOT installed, foreign particles (debris) in water may clog brewer system causing failure, and will void all warranties.



# LOCATION *(Area of Installation)*

The BREW EXPRESS can be installed in most places where power and water are supplied. If only power is available, you may consider using a water bottle and pump. The most common locations are the kitchen, master bathroom or office.

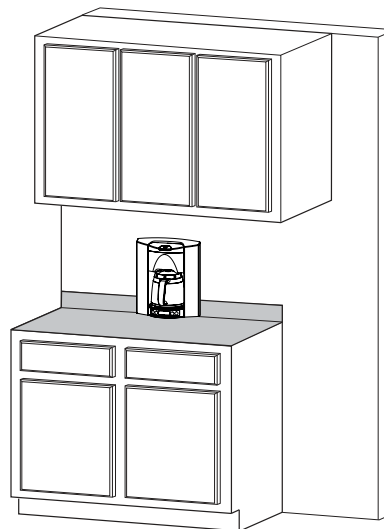
## **WARNING**

Installation inside an exterior wall is not recommended due to risk of water freezing. See warranty section for additional information.

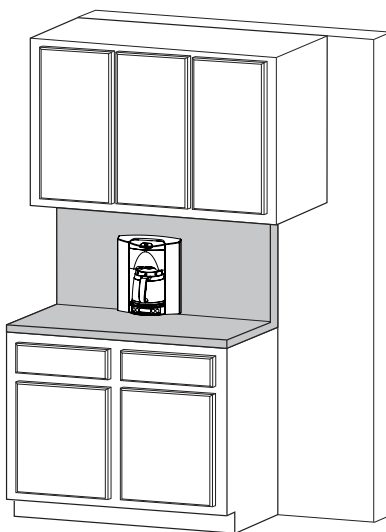
*NOTE: It is important to check stud width and location for proper fit. Please use template provided for proper fit for your location.*

### **IDEAL LOCATION AREAS**

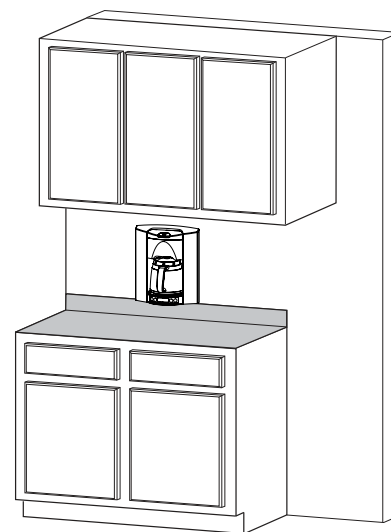
---



**A. On Counter**



**B. Full Height Back Splash**



**C. Above Back Splash**

# WATER INSTALLATION

## **WARNING**

Always turn off water supply at source. It is strongly advised you consult a qualified professional plumber when attempting to install the BREW EXPRESS in-the-wall COFFEE SYSTEM.

## **WARNING**

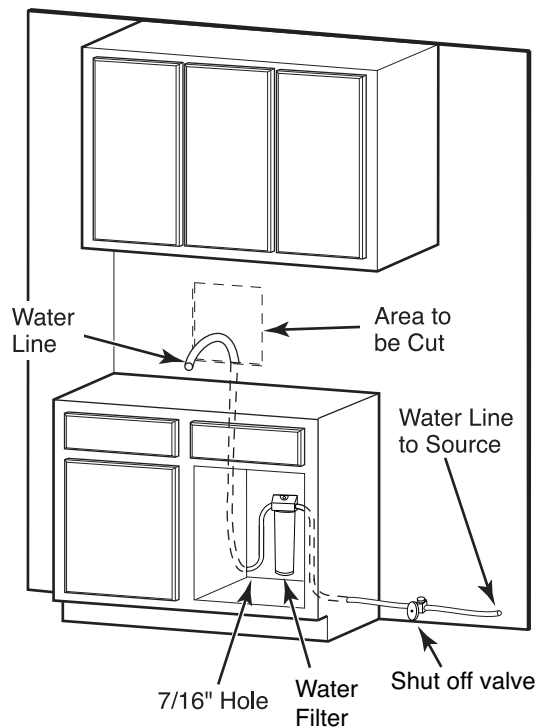
It is important to make sure there are no conflicts or obstructions in the wall cavity such as plumbing or electrical wires. If in doubt, contact a qualified professional. **DO NOT ATTEMPT INSTALLATION.**

### **IMPORTANT:**

It is recommended that a water filter and shut off valve be installed at source under sink or refrigerator area.

## **A. EXISTING HOME**

Determine the desired location of the BREW EXPRESS. Avoid outside walls in colder climates to prevent freezing of water line. Location should have access to cold water supply (sink, refrigerator ice maker). Alternately, water can be supplied using a pump and water bottle (not supplied). Drill a hole (7/16" dia.) at the lowest point in the cabinets and route water line through hole behind cabinets and up wall cavity to the cut opening in wall. Leave approximately 18" of excess water line at wall opening for rough-in-box installation. Continue water line to source. **Splicing/coupling is not recommended.** A continuous line will be best to ensure no leaks.

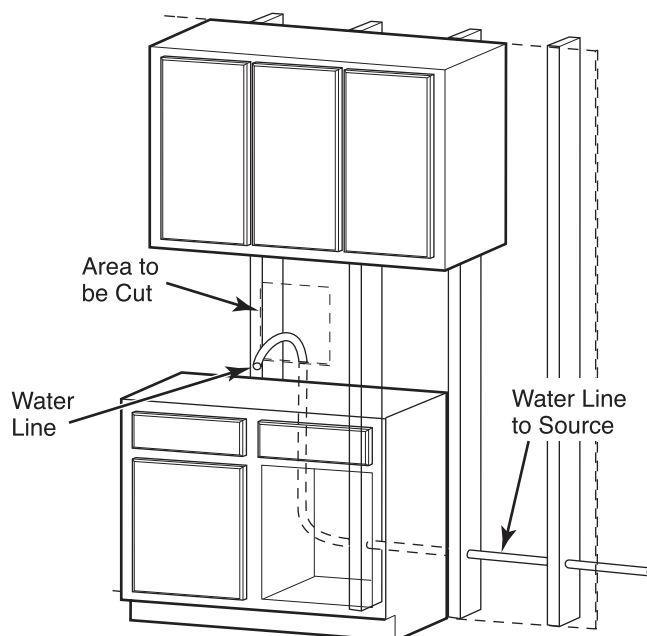


## **B. NEW HOME CONSTRUCTION**

Determine the desired location of the BREW EXPRESS. Avoid outside walls in colder climates to prevent freezing of water line. Location should have access to cold water supply (sink, refrigerator ice maker). Route water line through studs and up wall cavity to area where wall opening will be cut prior to sheet rock installation. Allow an additional length of 18" at area where wall opening will be cut. Using template provided mark the area to be cut AFTER sheet rock is installed.

### **IMPORTANT:**

If installing unit PRIOR to cabinets, it is strongly advised to consult with cabinet maker and building contractor for exact height of counter top due to the various thicknesses of counter tops (tile, laminate, granite, etc). For best results cut hole and install unit AFTER cabinets are installed.



# POWER INSTALLATION

## **WARNING**

Always turn off power supply at main electrical panel before attempting any electrical installation. Local electrical codes vary. All electrical installation must be done in accordance with local codes. Installation must be performed by a qualified electrician, or equivalent.

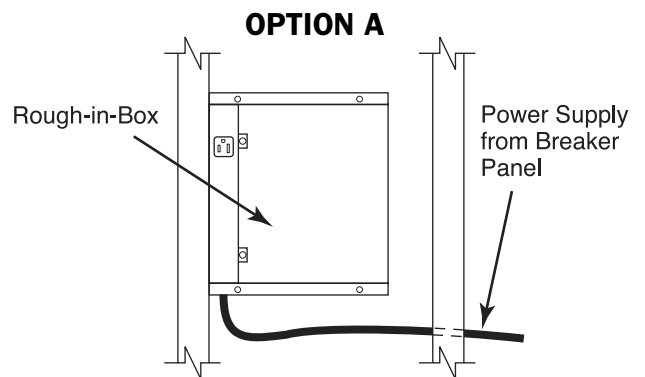
### **IMPORTANT:**

Installation must be performed by a qualified electrician, or equivalent.

The BREW EXPRESS can be installed in most places where power and water are supplied. See diagrams below for the application best suited for your needs.

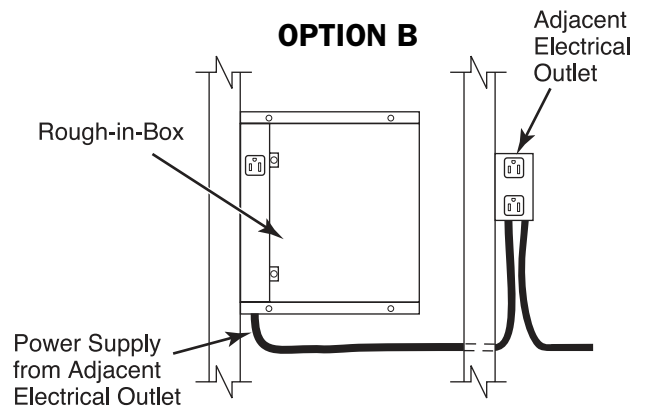
### **OPTION A. (New Construction)**

Power can be brought to rough-in-box by adding a new line from main breaker panel. Contact a qualified electrician for this application. NOTE: When routing electrical power to desired location it is recommended that you allow an additional 18" length of wire at the rough-in-box location.



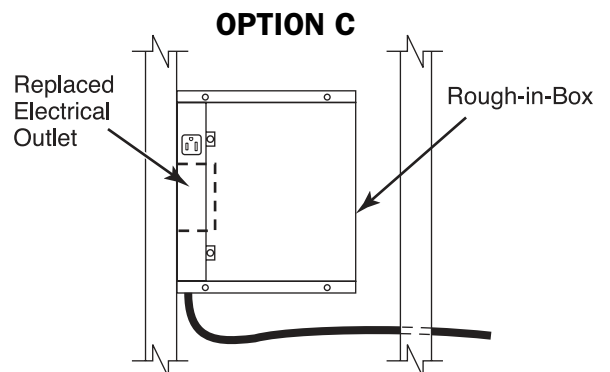
### **OPTION B. (New or Existing Construction)**

Power to rough-in-box can be tapped from an existing adjacent electrical outlet. NOTE: When routing electrical power to desired location it is recommended that you allow an additional 18" length of wire at the rough-in-box location.



### **OPTION C. (Existing Construction)**

Electrical outlet can be removed and replaced with the rough-in-box. NOTE: When routing electrical power to desired location it is recommended that you allow an additional 18" length of wire at the rough-in-box location.



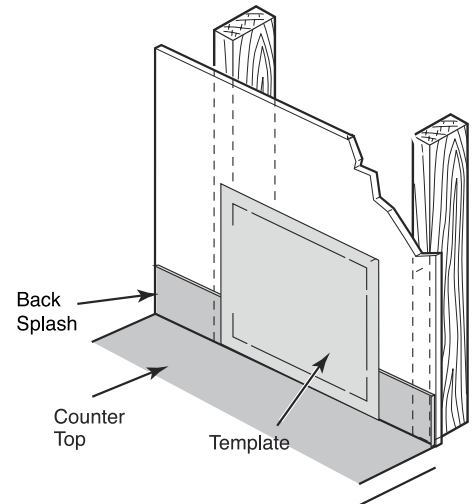
# BREWER INSTALLATION

## IMPORTANT:

If installing unit **PRIOR** to cabinets, it is strongly advised to consult with cabinet maker and building contractor for exact height of counter top due to the various thicknesses of counter tops (tile laminate, granite, etc). For best results cut hole and install unit **AFTER** cabinets are installed.

### A. Installing BREW EXPRESS on Counter

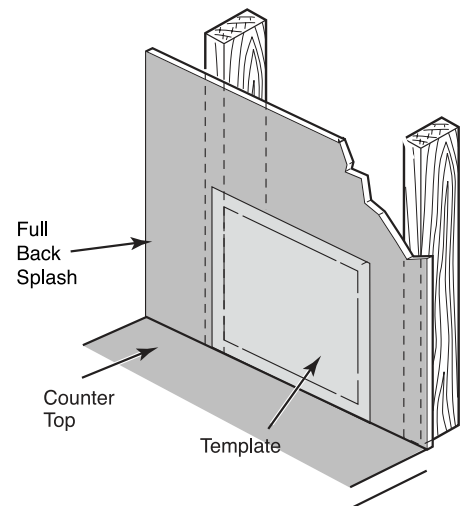
It is best to install the unit so the bottom edge is just above the counter top. In an existing home, this may require part of the back splash to be removed. Use **template** provided to determine the location to be cut out for rough-in-box.



### B. Installing BREW EXPRESS with Full Back Splash

Use **template** provided to determine the location to be cut out for rough-in-box. Ensure fit is correct by first placing rough-in-box in cut out hole. Remove rough-in-box. Finish installation of full height back splash to cut opening. If full height back splash is granite or tile, it is recommended to cut opening and install rough-in-box after surface is complete.

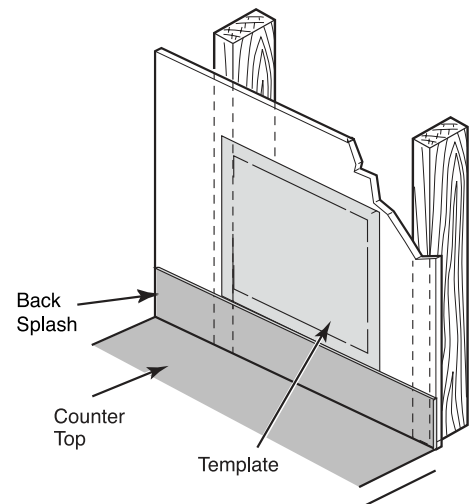
**IMPORTANT:** DO NOT COMPLETE INSTALLATION OF ROUGH-IN-BOX BEFORE BACK SPLASH.



### C. Installing BREW EXPRESS above Back Splash

If you prefer a continuous back splash, the unit can be installed above the back splash. Use **template** provided to find best fit.

**IMPORTANT:** WHEN INSTALLING THE UNIT ABOVE BACK SPLASH, BE CERTAIN THERE IS SUFFICIENT ROOM BELOW THE CABINETS.



# BREWER INSTALLATION

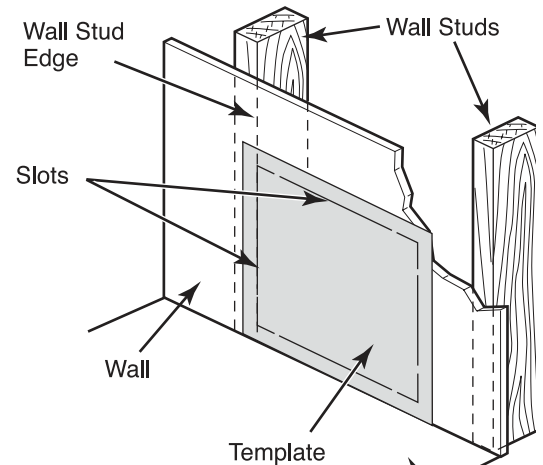
## Installation of Rough-In-Box

1. Locate **wall studs** adjacent to the desired location. Place **template** on **wall** as shown. Outside edge of **slots** in **template** should be even with left or right side of **stud** edge. The **slots** in the **template** designate the area to be cut. Outside edge of **template** is equivalent to brewer size .  
**See figure 1.**

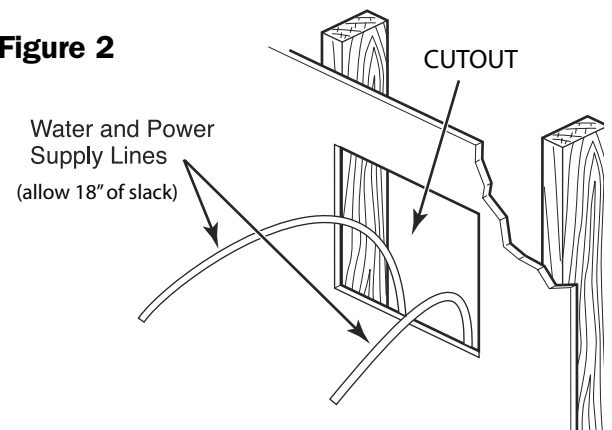
2. Use a utility knife to carefully cut inside the penciled outline area. Start with the stud side and work outward. **DO NOT USE A SAW.** Remove sheet rock section to expose **wall cavity**. Bring **water** and **power supply** lines from source to this location. Allow 18" of slack. **See Figure 2.**

3. **IMPORTANT** Completely seal all gaps between counter and wall with silicone caulk. This prevents water from going behind the cabinet if there is a water leak.

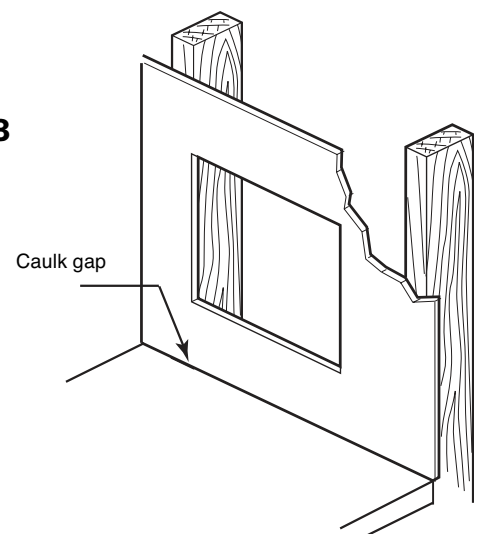
**Figure 1**



**Figure 2**

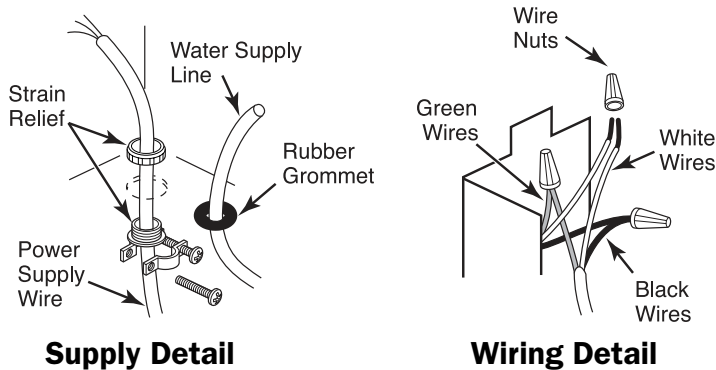


**Figure 3**

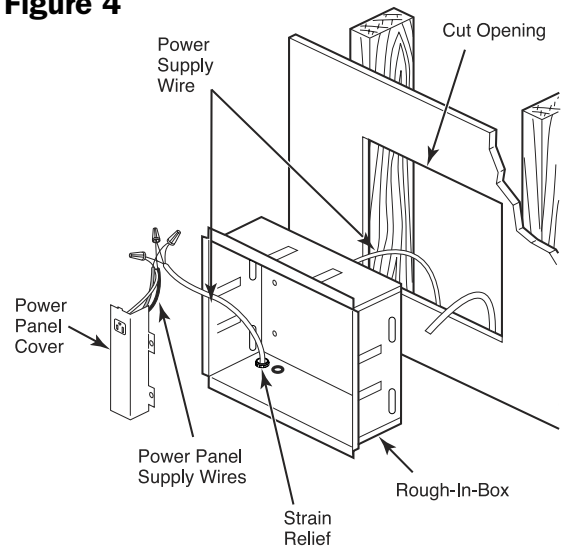


# BREWER INSTALLATION

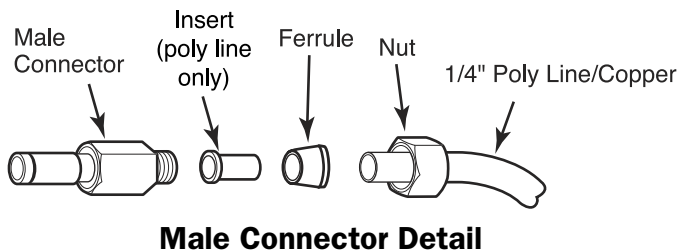
4. Place **rough-in-box** on a towel or cardboard to protect counter surface. Bring **power supply wire** from source to cut opening as shown in **Figure 4**. Minimum 12-2 wire required. Be sure to have an additional length of approximately 18" at **rough-in-box** opening for installation of box. Remove **power panel cover**. Install **strain relief** (not supplied) in hole. Run **power supply wire** through **strain relief** and secure **power supply wire** (See **Supply Detail**, page 11). Connect **power supply wires** to **power panel supply wires** and secure with **wire nuts** (See **Wiring Detail**, page 11). Connect **green** wire to **green** wire, **black** to **black** and **white** to **white**.



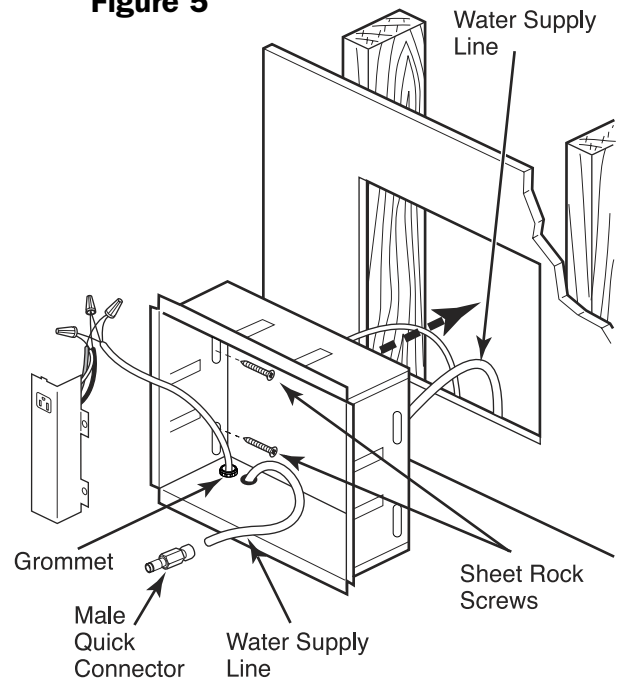
**Figure 4**



5. Bring 1/4" **water supply line** to **cut opening**. Bring water line through **grommet** in **rough-in-box** (See **Supply Detail**). Slide rough-in-box into opening while pulling about 18" of water line through grommet hole. Secure **rough-in-box** to wall stud with **sheet rock screws**. **PURGE WATER LINE** by running water to clean any possible debris. Cut water line to length (approx. 3") inside **rough-in-box** and attach **male quick connector**. Use wrench to tighten and secure. **See Male Connector Detail and figures 5 and 7.**



**Figure 5**



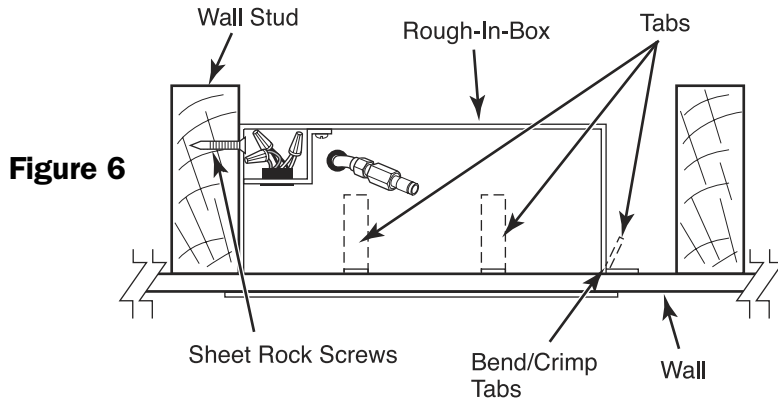
**IMPORTANT:**  
**Water line to brewer must be flushed and a filter installed. Should debris or calcium from hard water clog brewer system ALL WARRANTIES VOID. Check for leaks.**  
*To prevent this from happening, install water filter to waterline.*

# BREWER INSTALLATION

- After **sheet rock screws** are in place, bend tabs to finish securing **rough-in box** to wall. See figures 6 and 7. Use pliers (if needed) to **bend/crimp tabs** firmly to wall. Gently slide excess water line back through grommet into wall cavity leaving top of connector a maximum of 3" above bottom of rough-in box.

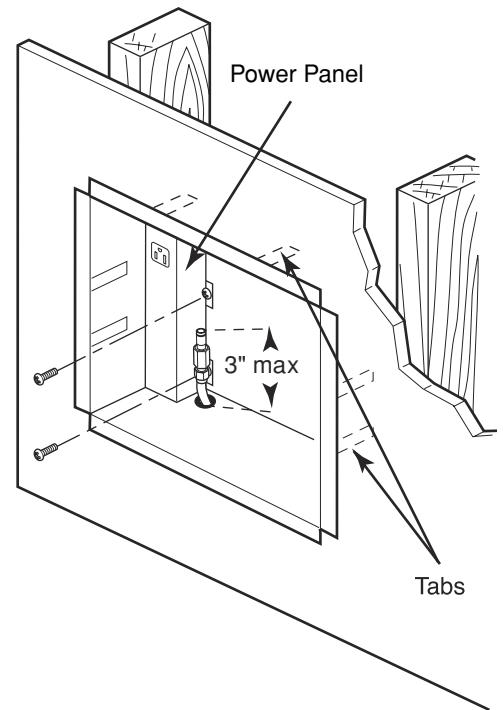
## **WARNING**

Carefully install power panel cover. **All electrical wires and connections MUST be tucked completely inside POWER PANEL COVER, without exposing bare wiring inside rough-in box. It is advised you contact a qualified electrician.** Be certain not to damage wires or insulation. See **Figure 7**



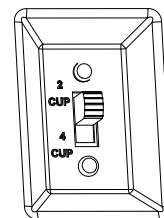
**Figure 6**

**Figure 7**



## **Installation of Brewer**

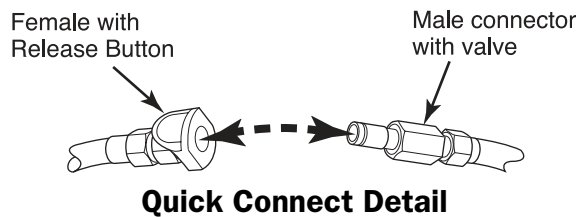
- Important, for the BE-104C model (single button), set 2/4 cup volume selection switch on back of brewer prior to installation of brewer.



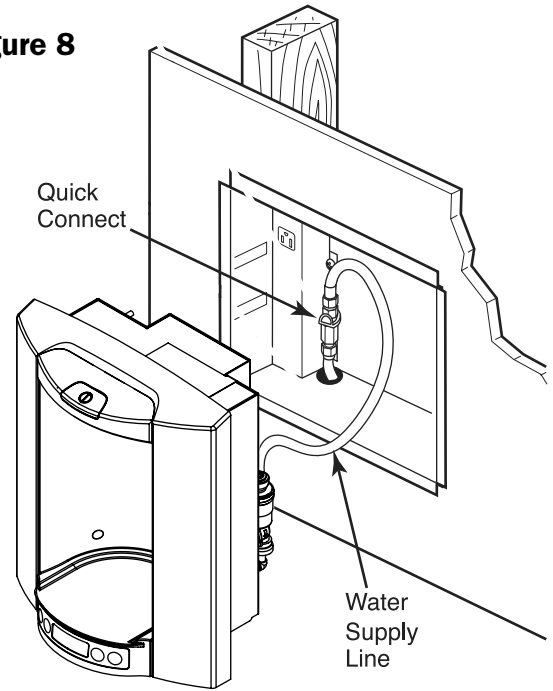


# BREWER INSTALLATION

8. The male quick connector has a built in valve so water can be turned on prior to connection to coffee maker. Place unit on a towel or cardboard to protect counter surface. Place **BREW EXPRESS** directly in front of **rough-in box**. Connect brewer to water supply using quick connectors. (See **Quick Connect Detail**). Snap connectors together firmly. Turn on water, **check for leaks** prior to final installation of **BREW EXPRESS**. If leaking, turn off water, tighten connections or reinstall **quick connector**. Turn water on and check again. See **Figure 8**.

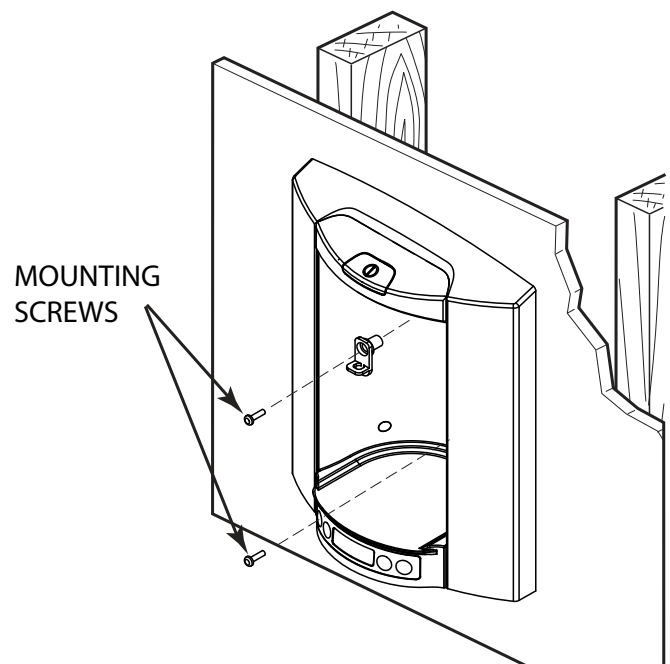


**Figure 8**



9. Gently slide the **BREW EXPRESS** into the rough-in-box. Be careful not to damage water supply lines. A firm push will connect power from rough-in-box to the BREW EXPRESS. Use two mounting screws to secure BREW EXPRESS to rough-in-box. Note, the lock bracket and longer screw go in the upper position (on some models the two screws will be the same length).

**WARNING:**  
Do not caulk or grout to brewer.



# BREWER TESTING

## Testing

Once BREW EXPRESS has been installed into the rough-in-box it must be tested to ensure proper operation.

1. Turn on electrical power and power switch (located on top of brewer). The brew button icon should be illuminated. If the button icon is not illuminated, refer to the troubleshooting section of this manual.
2. Turn on water supply to BREW EXPRESS. There should be no leaks in the water connections. If water is leaking, pull the brewer from the wall, check connections and refer to the troubleshooting section of this manual to make appropriate corrections. If water is leaking from inside the brewer, disconnect from the rough-in-box and contact customer service.

## Test the Brewer

1. Place empty brew basket in unit.
2. Place the empty carafe under brew basket.
3. Press the "Brew" button.
4. After a moment water will begin flowing and remain on for 140 to 180 seconds (depending upon model).
5. A Beeper will sound 40 seconds after water stops flowing.

See Operation Guide from more detailed information on operating the Brew Express. Also, this guide contains a trouble shooting section if needed.



**WWW.BREWEXPRESS.COM**

FOR CUSTOMER SERVICE OR TECHNICAL SERVICE PLEASE CALL (866)-268-5953