

Installation instructions **Undermount Sinks**

General Recommendations:

Please

Read installation and maintenance instruction thoroughly.
Be sure to use proper tools and always wear personal safety devices for your protection

Warranty

HOUZER stainless steel sinks are produced to highest manufacturing standards using premium grade type-304 stainless steel and are covered by a limited lifetime warranty.
Carefully follow the step-by-step installation instructions.
That way you'll ensure complete satisfaction and protect your warranty.

Long-Life care

HOUZER Stainless Steel Sinks are easy to keep new looking, longer, with minimal care. For the best results, always rinse with a mild soap and wipe dry after each use. Rub lightly with soft cloth in direction of grain line on a regular basis. To avoid damage to sink surface and discoloration, never use a steel wool or scouring pad.

Tools and Materials needed:

Tape Measure	Denatured Alcohol	Hacksaw/Jigsaw
Pencil (NOT ink)	Mounting clips (included)	
Silicone Adhesive Sealant	Ear Protection	
Rags	Eye Protection	

Be sure to use proper tools and always wear personal safety devices for your protection.

Installation Instructions

Please carefully read complete instructions before beginning installation.

Note: These instructions are for installation with solid surface, composite material countertops. Houzer recommends professional countertop installers and is not responsible for damages to the countertop or sink during installation.

1. Unpack the new sink and check the contents of the materials supplied: (1) Sink, (12) Mounting brackets, (1) Cutout template.
2. Supplied cutout template provides three options of installation:
 - A. Flush mount: Sink edge is flush with countertop opening. (Figure 1)
 - B. Reveal mount: Sink rim is exposed approximately 1/4" from the edge of countertop opening. (Figure 2)
 - C. Recess mount: Sink rim is recessed approximately 1/8" from the edge of countertop opening. Cut countertop approximately 1/8" inside of flush mount cut line. (Figure 3)

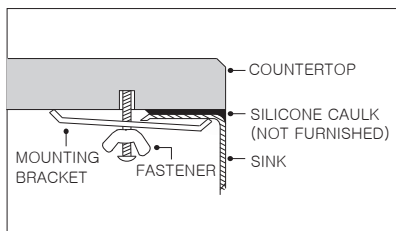


Figure 1

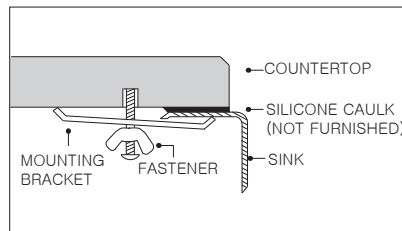


Figure 2

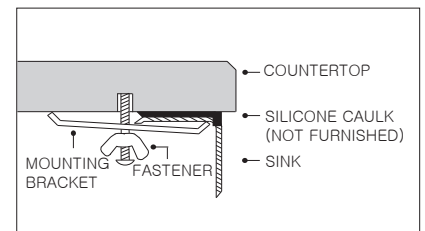


Figure 3

3. Cut out the appropriate template for your sink model and desired installation option. Place template in desired position on countertop, locating center of the bowl over cabinet and faucet holes.
4. Trace the outline of the template and cut countertop along the inside of the line using appropriate cutting tools. Template is for guide only. Use physical sink to ensure accurate cutout opening.
5. Locate and drill holes on the underside of the counter top, approximately 1" from edge of the sink to be installed. Holes should be evenly spaced approximately 6" to 8" apart starting from every corner as shown in Figure 4. It is recommended to install a faucet at this point before installing the sink.

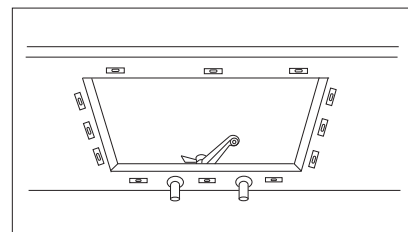


Figure 4

6. Loosely attach mounting brackets to the countertop, parallel to the cutout opening using the supplied mounting screws and butterfly nuts. Mounting screws with brass inserts are supplied with the sink, however, countertop materials vary and the correct type of fasteners should be recommended by your installer or supplier.
7. Clean sink flange and underside of cutout area of countertop, making sure that the area is smooth and free from grease. Apply continuous bead of silicone caulk evenly on top of sink flange. (Figure 5)
8. Position and align sink over the countertop opening and press sink onto countertop. Turn bent end of mounting bracket to snug over the sink rim.
9. Check alignment of sink again and tighten fasteners to secure sink.
10. Wipe away excess silicone caulk with a damp cloth. Connect drain and water supply according to manufacturer's instructions.

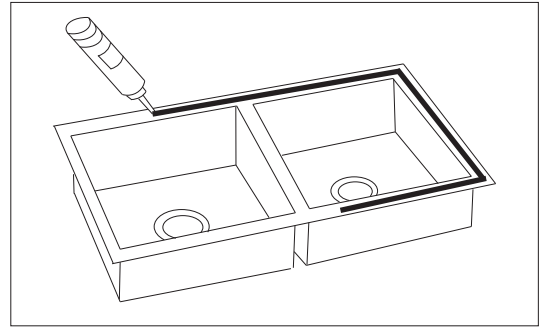


Figure 5

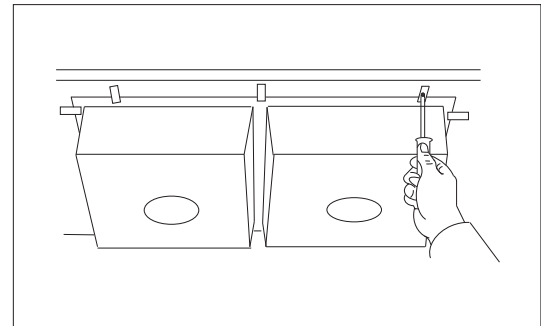


Figure 6

Lifetime Limited Warranty

HOUZER stainless steel sinks are produced to the highest manufacturing standards and are covered by a limited lifetime warranty that protects the original purchaser against any defects in materials and workmanship under normal use. If upon determination by HOUZER that the sink is defective, HOUZER will replace without charge, with an equivalent sink or refund, will be sent to the original purchaser that it has been used in a residential application and installed, used and maintained according to the instructions supplied with the sink, and not damaged due to abuse, misuse or negligence. This warranty will not cover any labor charges incurred in installation, removal, replacement or repair, transportation cost or any consequential damages, which might be caused by the product. HOUZER shall not be liable in case of;

- Improper installation or modification of original product.
- Damages resulting from abuse, such as scratches by dropping heavy objects into the sink
- Scratches resulting from scrubbing with steel wool, abrasive pads or cleaners
- Improper application such as exposure to corrosive chemicals, or photographic solutions
- Any commercial application

If the original purchaser finds a defect in material or workmanship, please contact HOUZER Warranty Service, PO Box 1027, Somerset, NJ 08875-1027. Please include proof of purchase or sales receipt. The law in some states may expand or modify this warranty. This warranty supersedes all other warranties, expressed or implied.

Care and Maintenance

ALWAYS

- Clean everyday by thoroughly rinsing with a mild soap and warm water and wipe dry.
- Rub lightly with a soft cloth in the direction of grain lines on a regular basis for additional preventive cleaning.
- Keep the sink free of any standing water as this can cause a buildup of mineral deposit, which can affect the appearance of your sink.
- Any stubborn stains should be removed by scrubbing in the direction of the grain with a mild abrasive such as Comet.
- Always rinse the sink after using any cleaning agent and wipe dry.
Clean any mineral deposits built up over time with a mild solution of vinegar and water followed by a thorough flushing with water.
- Remove any scratches with a Scotch-Brite pad and cleaning agent rubbing in the direction of the grain. NOT RECOMMENDED FOR MIRROR FINISH.

NEVER

- Leave water spots, steel cookware or utensils in the sink for lengthy periods; iron particles often develop rust spots in the stainless steel surface.
- Use a steel wool or scoring pad as it damages the sink surface and causes discoloration.
- Let household cleaning agents or bleach sit in your sink for long periods of time as this may ruin the finish of your sink.
- Leave rubber mats, sponges or cleaning pads in the sink overnight as this will trap water and could stain and discolor the sink surface.
- Use any drain cleaning products containing sulfuric or hydrochloric acid as this will attack the sink. Silver cleaners can also contain acids that will damage the sink surface.
- Use the inside of the sink as a cutting surface.

TYPE304
PREMIUM STAINLESS STEEL

SpecPlus
EDGE
The Strongest Edge The Ever Had

StoneGuard
UNDERCOAT PROTECTION

SUPER
SILENCER

Lifetime
Warranty★

JFG

CS
C US

ASME A112.19.3-2000