
PEDESTAL INSTALLATION INSTRUCTIONS

For use only with commercial washers and dryers

INSTRUCCIONES DE INSTALACIÓN DEL PEDESTAL

Para uso sólo con lavadoras y secadoras comerciales

INSTRUCTIONS D'INSTALLATION DU PIÉDESTAL

Destiné uniquement aux laveuses et sécheuses commerciales

Table of Contents	2
Índice	7
Table des matières	12

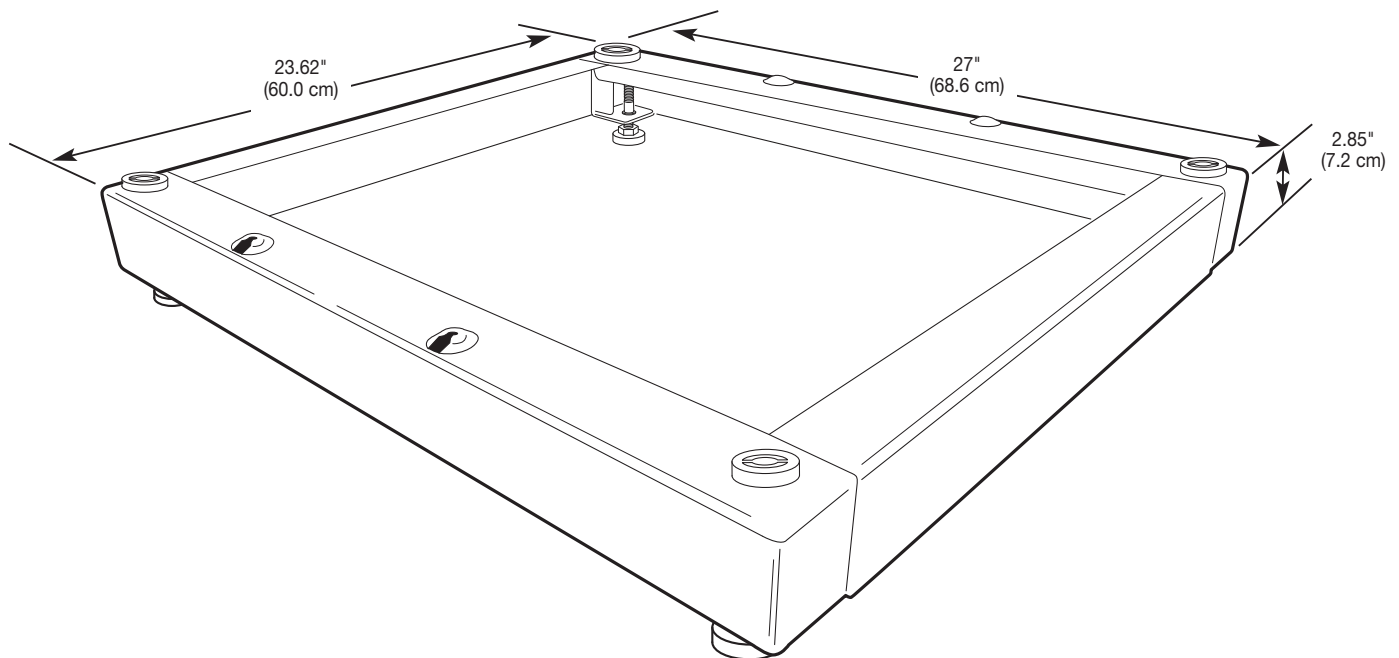


TABLE OF CONTENTS

PEDESTAL SAFETY	2	INSTALLATION INSTRUCTIONS	5
INSTALLATION REQUIREMENTS	2	Installing the Pedestal5
Tools and Parts2	Complete the Installation5
Location Requirements2	COMMERCIAL PEDESTAL WARRANTY	6
Before Installing the Pedestal3		

PEDESTAL SAFETY

Your safety and the safety of others are very important.

We have provided many important safety messages in this manual and on your appliance. Always read and obey all safety messages.



This is the safety alert symbol.

This symbol alerts you to potential hazards that can kill or hurt you and others.

All safety messages will follow the safety alert symbol and either the word "DANGER" or "WARNING."

These words mean:

⚠ DANGER

You can be killed or seriously injured if you don't immediately follow instructions.

⚠ WARNING

You can be killed or seriously injured if you don't follow instructions.

All safety messages will tell you what the potential hazard is, tell you how to reduce the chance of injury, and tell you what can happen if the instructions are not followed.

INSTALLATION REQUIREMENTS

Tools and Parts

Gather the required tools and parts before starting installation. Read and follow the instructions provided with any tools listed here.

Tools needed

- utility knife
- 1/4" hex head ratchet or open-end wrench
- 5/16" hex head ratchet or open-end wrench
- 14 mm open-end wrench
- level
- 9/16" open-end wrench
- pliers or slip-joint pliers
- bucket

Parts supplied

- four #12 x 5/8" hex head sheet metal screws (in parts bag)
- two adjustable feet (in parts bag)
- Installation Instructions

NOTE: If the pedestal is to be installed under a washer, use the feet that were factory installed on the washer for the pedestal installation, and save the two adjustable feet supplied in the parts bag for use with dryer pedestal installation.

Location Requirements

⚠ WARNING



Explosion Hazard

Keep flammable materials and vapors, such as gasoline, away from dryer.

Place dryer at least 18 inches (46 cm) above the floor for a garage installation.

Failure to do so can result in death, explosion, or fire.

NOTE: If the dryer and pedestal assembly is located in a garage, 15.5" (39.4 cm) must be added under the pedestal so that the dryer is 18" (46 cm) above the garage floor.

Before Installing the Pedestal

IMPORTANT: If your washer and dryer are already installed, they must be uninstalled.

If you need to uninstall your washer or dryer, see the installation instructions that came with your model for tools required.

Uninstalling your washer

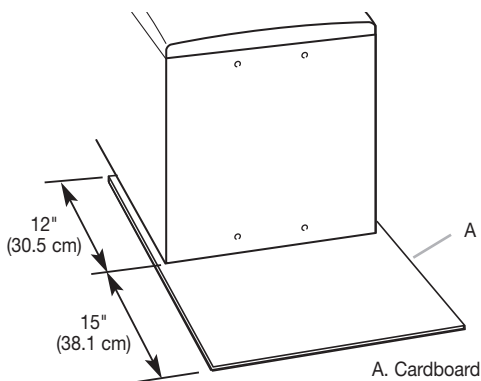
⚠ WARNING

Excessive Weight Hazard

**Use two or more people to move and uninstall washer.
Failure to do so can result in back or other injury.**

NOTE: To prevent suspension and structural damage, your washer must be properly set up for relocation by a certified technician.

1. Turn off the hot and cold water faucets.
2. Unplug the power supply cord or disconnect power.
3. Slowly loosen the fill hoses at the faucets to relieve the water pressure. Use a sponge or towel to absorb the released water.
4. Remove the "HOT" and "COLD" fill hoses from the back of the washer. Drain the water from the hoses into a bucket.
5. Squeeze the ears of the drain hose clamp with pliers to open and slide the clamp down the hose. Disconnect the drain hose from the washer and drain any water in the hose into a bucket.
6. Pull the washer away from wall so it can be tipped on its back.
7. Protect the floor with a large piece of cardboard cut from the pedestal carton. Lay the washer on its back (make sure that the power supply cord is not under the washer) so that the cardboard is under the entire lower back edge of the washer. An additional small amount of water will drain out of the washer when it is tipped back.



8. Go to "Installing the Pedestal" section.

Uninstalling your electric dryer

1. Unplug the power supply cord.

⚠ WARNING



Electrical Shock Hazard

**Disconnect power before servicing.
Replace all parts and panels before operating.
Failure to do so can result in death or electrical shock.**

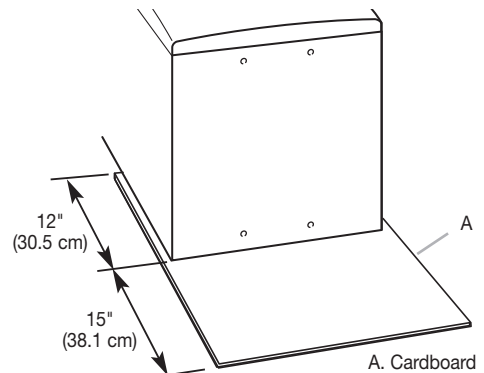
2. Disconnect wiring if dryer is direct wired.

⚠ WARNING

Excessive Weight Hazard

**Use two or more people to move and uninstall dryer.
Failure to do so can result in back or other injury.**

3. Pull the dryer away from the wall enough to loosen the vent clamp. Loosen the clamp and gently remove the exhaust vent from the dryer exhaust outlet.
4. Pull the dryer away from the wall so that it can be tipped on its back.
5. Protect the floor with a large piece of cardboard cut from the pedestal carton. Lay the dryer on its back (make sure that the power supply cord is not under the dryer) so that the cardboard is under the entire lower back edge of the dryer.



6. Go to "Installing the Pedestal" section.

Uninstalling your gas dryer

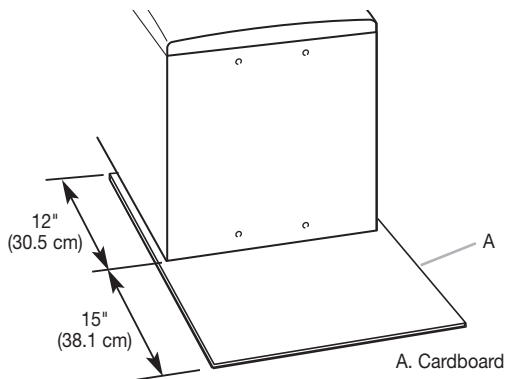
1. Unplug the power supply cord or disconnect power.
2. Turn off the gas supply.

⚠️ WARNING

Excessive Weight Hazard

**Use two or more people to move and uninstall dryer.
Failure to do so can result in back or other injury.**

3. Pull the dryer away from the wall enough to loosen the vent clamp. Loosen the clamp and gently remove the exhaust vent from the dryer exhaust outlet.
4. Disconnect the flexible gas supply line from the dryer. Put a piece of tape over the open ends of the gas line connection fittings.
5. Pull the dryer away from the wall so that it can be tipped on its back.
6. Protect the floor with a large piece of cardboard cut from the pedestal carton. Lay the dryer on its back (make sure that the power supply cord is not under the dryer) so that the cardboard is under the entire lower back edge of the dryer.



7. Go to "Installing the Pedestal" section.

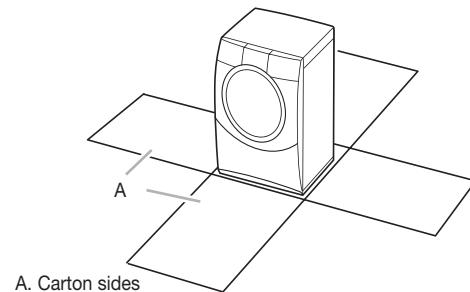
Washer or dryer is still in its packaging

⚠️ WARNING

Excessive Weight Hazard

**Use two or more people to move washer or dryer.
Failure to do so can result in back or other injury.**

1. Position the packaged washer or dryer close to its final position. Cut the packaging as follows:
Washer: Cut plastic film along dotted cut line around the base. Do not remove the packaging. Do not remove the shipping bolts at this time.
Dryer: Cut carton around top and down corners along dotted cut lines. Lay all four carton sides on floor. Discard carton top and corner posts.
IMPORTANT: Leave carton bottom underneath dryer.



2. Lay washer or dryer on its back.
NOTE: When laying the washer on its back, hold the bottom cap down on the floor. Do not remove the plastic film, corner posts, or top cap. These protect the floor and washer back. When laying the dryer on its back, the floor and dryer back are protected by cartoning.

INSTALLATION INSTRUCTIONS

Installing the Pedestal

Follow these instructions to install the pedestal on a washer or dryer.

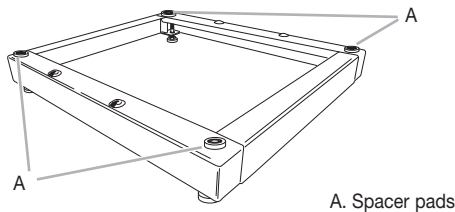
⚠ WARNING

Excessive Weight Hazard

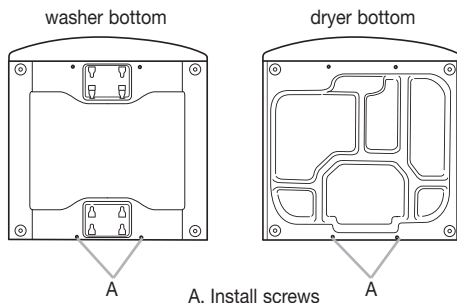
**Use two or more people to move and install pedestal.
Failure to do so can result in back or other injury.**

The parts bag contains four #12 x 5/8" hex head sheet metal screws, two adjustable feet, and the Installation Instructions.

1. Make sure that all four spacer pads are in place on the top of the pedestal. These pads are factory-installed to reduce vibration between the pedestal and the washer or dryer.

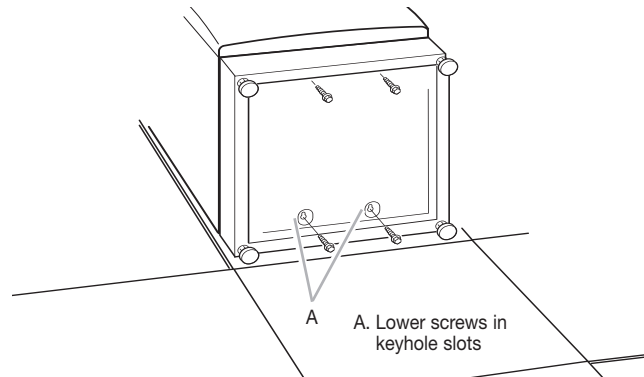


2. Remove the feet installed on your washer or dryer.
3. Partially install two of the #12 x 5/8" hex head sheet metal screws in the lower holes. Leave a space of about 3/8" (1 cm) between the screw head and the bottom of the washer or dryer.



4. Move the pedestal against the washer or dryer bottom. Slide the pedestal's keyhole slots over the lower two partially installed screws.
5. Position the pedestal toward the front of the washer or dryer and install the two remaining hex head sheet metal screws. Do not tighten completely.

6. Align the sides of the pedestal so that they are even with the sides of the washer or dryer. Reach inside pedestal opening and securely tighten all four pedestal screws.



7. For the washer, install the feet that came with it and save the two feet included in the carton for future use on a dryer pedestal. For the dryer, install the feet that came with the pedestal.
8. Tip the washer or dryer back to its upright position. Remove and discard packaging including the washer's plastic film, corner posts, and top cap.

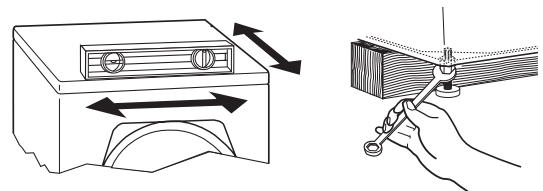
Complete the Installation

Follow the installation instructions that came with your model to complete installing or reinstalling your washer or dryer (i.e., hoses, vents, etc.).

Level the Washer or Dryer and Pedestal

Properly leveling and locking the feet on the washer or dryer avoids excessive noise and vibration.

1. Check that the four locknuts on the pedestal feet are tightened against the pedestal cabinet using a 14 mm open-end wrench.
2. Place the washer or dryer in its final location and check the levelness of the washer or dryer. The washer or dryer should not move front-to-back, side-to-side, or diagonally when pushed on its top edges. Remove the shipping bolts from the washer.



3. If the washer or dryer is not level, move the washer or dryer out slightly before tipping back. First prop the front with a wood block, loosen the locknuts, and adjust the pedestal feet as necessary. Then prop the back and adjust the pedestal feet as necessary. Repeat steps 1–3 until the washer or dryer is level.

IMPORTANT: All four feet must be tightened. If the locknuts are not tight against the pedestal cabinet, the washer or dryer may vibrate.

COMMERCIAL PEDESTAL WARRANTY

ONE YEAR LIMITED WARRANTY

For one year from the date of purchase, when this product is installed, maintained, and operated according to instructions attached to or furnished with the product, we will pay for factory-specified parts to correct defects in materials or workmanship. Proof of original purchase date is required to obtain service under this warranty.

ITEMS WE WILL NOT PAY FOR

1. All other costs including labor, transportation, or custom duties.
 2. Service calls to correct the installation of your commercial appliance, to instruct you how to use your commercial appliance, to replace or repair fuses, or to correct external wiring or plumbing.
 3. Repairs when your commercial appliance is used for other than normal, commercial use.
 4. Damage resulting from improper handling of product during delivery, theft, accident, alteration, misuse, abuse, fire, flood, acts of God, improper installation, installation not in accordance with local electrical or plumbing codes, or use of products not approved by the manufacturer.
 5. Pickup and Delivery. This commercial appliance is designed to be repaired on location.
 6. Repairs to parts or systems resulting from unauthorized modifications made to the commercial appliance.
 7. The removal and reinstallation of your commercial appliance if it is installed in an inaccessible location or is not installed in accordance with published installation instructions.
 8. Chemical damage is excluded from all warranty coverage.
 9. Changes to the building, room, or location needed in order to make the commercial appliance operate correctly.
-

DISCLAIMER OF IMPLIED WARRANTIES; LIMITATIONS OF REMEDIES

CUSTOMER'S SOLE AND EXCLUSIVE REMEDY UNDER THIS LIMITED WARRANTY SHALL BE PRODUCT REPAIR AS PROVIDED HEREIN. IMPLIED WARRANTIES, INCLUDING WARRANTIES OF MERCHANTABILITY OR FITNESS FOR A PARTICULAR PURPOSE ARE LIMITED TO ONE YEAR OR THE SHORTEST PERIOD ALLOWED BY LAW. WHIRLPOOL SHALL NOT BE LIABLE FOR INCIDENTAL OR CONSEQUENTIAL DAMAGES. SOME STATES AND PROVINCES DO NOT ALLOW THE EXCLUSION OR LIMITATION OF INCIDENTAL OR CONSEQUENTIAL DAMAGES, OR LIMITATIONS ON THE DURATION OF IMPLIED WARRANTIES OF MERCHANTABILITY OR FITNESS, SO THESE EXCLUSIONS OR LIMITATIONS MAY NOT APPLY TO YOU. THIS WARRANTY GIVES YOU SPECIFIC LEGAL RIGHTS AND YOU MAY ALSO HAVE OTHER RIGHTS, WHICH VARY FROM STATE-TO-STATE OR PROVINCE-TO-PROVINCE.

If you need service, please contact your authorized Commercial Laundry distributor. To locate your authorized Maytag Commercial Laundry distributor, or for web inquiries, visit www.MaytagCommercialLaundry.com

3/08

For written correspondence:
Commercial Laundry Service Department
2000 M-63 North
Benton Harbor, Michigan 49022 USA

ÍNDICE

SEGURIDAD DEL PEDESTAL	7	INSTRUCCIONES DE INSTALACIÓN	10
REQUISITOS DE INSTALACIÓN	7	Instalación del pedestal	10
Piezas y herramientas	7	Complete la instalación	10
Requisitos de ubicación	7	GARANTÍA COMERCIAL DEL PEDESTAL	11
Antes de instalar el pedestal	8		

SEGURIDAD DEL PEDESTAL

Su seguridad y la seguridad de los demás es muy importante.

Hemos incluido muchos mensajes importantes de seguridad en este manual y en su electrodoméstico. Lea y obedezca siempre todos los mensajes de seguridad.



Este es el símbolo de advertencia de seguridad.

Este símbolo le llama la atención sobre peligros potenciales que pueden ocasionar la muerte o una lesión a usted y a los demás.

Todos los mensajes de seguridad irán a continuación del símbolo de advertencia de seguridad y de la palabra "PELIGRO" o "ADVERTENCIA". Estas palabras significan:

! PELIGRO

Si no sigue las instrucciones de inmediato, usted puede morir o sufrir una lesión grave.

! ADVERTENCIA

Si no sigue las instrucciones, usted puede morir o sufrir una lesión grave.

Todos los mensajes de seguridad le dirán el peligro potencial, le dirán cómo reducir las posibilidades de sufrir una lesión y lo que puede suceder si no se siguen las instrucciones.

REQUISITOS DE INSTALACIÓN

Piezas y herramientas

Reúna las herramientas y piezas necesarias antes de comenzar la instalación. Lea y siga las instrucciones de seguridad provistas con cualquiera de las herramintetas enlistadas aquí.

Herramientas necesarias

- Cuchillo para uso general
- Llave de trinquete hexagonal o de boca de 1/4"
- Llave de trinquete hexagonal o de boca de 5/16"
- Llave de boca de 14 mm
- Nivel
- Llave de boca de 9/16"
- Pinzas o pinzas ajustables
- Balde

Piezas suministradas

- Cuatro tornillos para lámina metálica de cabeza hexagonal #12 x 5/8" (en la bolsa de piezas)
- Dos patas ajustables (en la bolsa de las piezas)
- Instrucciones de Instalación

NOTA: Si el pedestal se va a instalar debajo de una lavadora, use las patas que fueron instaladas de fábrica en la lavadora para la instalación del pedestal, y guarde las dos patas ajustables incluidas en la bolsa de las piezas para su uso en la instalación del pedestal de la secadora.

Requisitos de ubicación

! ADVERTENCIA



Peligro de Explosión

Mantenga los materiales y vapores inflamables, como la gasolina, lejos de la secadora.

Coloque la secadora a un mínimo de 46 cm sobre el piso para la instalación en un garaje.

No seguir estas instrucciones puede ocasionar la muerte, explosión o incendio.

NOTA: Si el conjunto de secadora y pedestal está ubicado en un garaje, se deben agregar 15,5" (39,4 cm) debajo del pedestal, para que la secadora se encuentre 18" (46 cm) por encima del piso del garaje.

Antes de instalar el pedestal

IMPORTANTE: Si su lavadora y secadora ya están instaladas, las debe desinstalar.

Si necesita desinstalar su lavadora o secadora, vea las instrucciones de instalación incluidas con su modelo para consultar cuáles son las herramientas necesarias.

Desinstalación de su lavadora

⚠ ADVERTENCIA

Peligro de Peso Excesivo

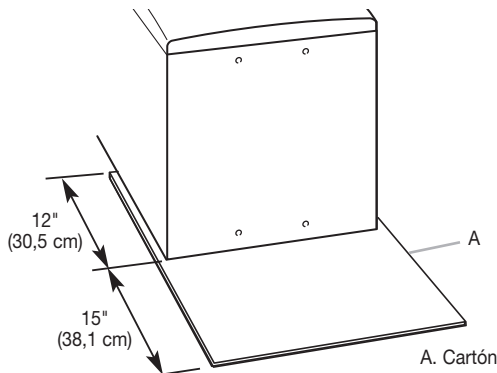
Use dos o más personas para mover y desinstalar la lavadora.

No seguir esta instrucción puede ocasionar una lesión en la espalda u otro tipo de lesiones.

NOTA: Para prevenir daños estructurales y de suspensión, su lavadora debe estar debidamente preparada para ser nuevamente ubicada por un técnico certificado.

1. Cierre los grifos de agua caliente y fría.
2. Desenchufe el cable de suministro eléctrico o desconecte el suministro de energía.
3. Afloje lentamente las mangueras de llenado en los grifos para aliviar la presión de agua. Use una esponja o una toalla para absorber el agua saliente.
4. Saque las mangueras de llenado de agua caliente (HOT) y fría (COLD), de la parte posterior de la lavadora. Drene el agua de las mangueras en un balde.
5. Apriete con las pinzas las aletas de la abrazadera de la manguera de desagüe y deslice la abrazadera por la manguera. Desconecte la manguera de desagüe de la lavadora y drene en un balde el agua que haya en la manguera.
6. Aleje la lavadora de la pared para que pueda ser inclinada sobre su parte posterior.
7. Proteja el piso con un pedazo de cartón grande que se haya cortado del embalaje del pedestal. Ponga la lavadora sobre su parte posterior (asegúrese de que el cable de suministro eléctrico no esté debajo de la lavadora), de modo que el cartón esté debajo de todo el extremo posterior inferior de la lavadora.

Una pequeña cantidad adicional de agua va a escurrirse de la lavadora cuando se la incline hacia atrás.



8. Vaya a la sección "Instalación del pedestal".

Desinstalación de su secadora eléctrica

1. Desenchufe el cable de suministro de energía.

⚠ ADVERTENCIA



Peligro de Choque Eléctrico

Desconecte el suministro de energía antes de darle mantenimiento.

Vuelva a colocar todos los componentes y paneles antes de hacerlo funcionar.

No seguir estas instrucciones puede ocasionar la muerte o choque eléctrico.

2. Desconecte el cableado si la secadora tiene cableado directo.

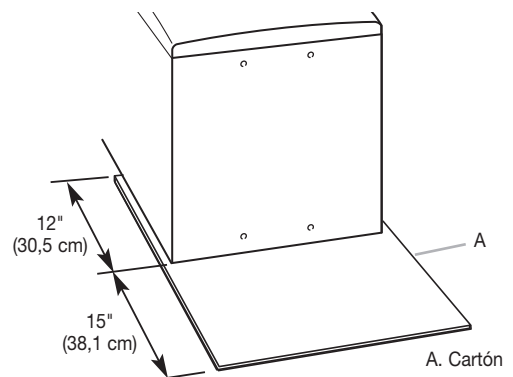
⚠ ADVERTENCIA

Peligro de Peso Excesivo

Use dos o más personas para mover y desinstalar la secadora.

No seguir esta instrucción puede ocasionar una lesión en la espalda u otro tipo de lesiones.

3. Aleje la secadora de la pared lo suficiente para poder aflojar la abrazadera del ducto de escape. Afloje la abrazadera y quite cuidadosamente el ducto de escape de la salida de aire de la secadora.
4. Aleje la secadora de la pared para que pueda ser inclinada sobre su parte posterior.
5. Proteja el piso con un pedazo de cartón grande que se haya cortado del embalaje del pedestal. Ponga la secadora sobre su parte posterior (asegúrese de que el cable de suministro eléctrico no esté debajo de la secadora), de modo que el cartón esté debajo de todo el extremo posterior inferior de la secadora.



6. Vaya a la sección "Instalación del pedestal".

Desinstalación de su secadora a gas

1. Desenchufe el cable de suministro eléctrico o desconecte el suministro de energía.
2. Cierre el suministro de gas.

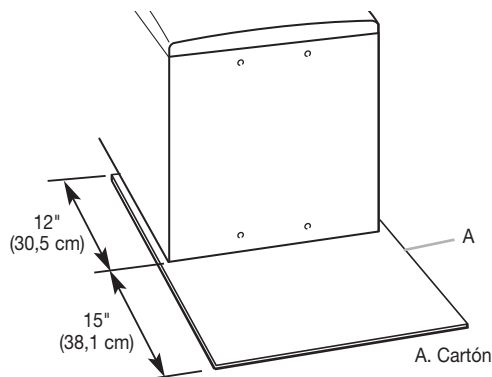
⚠ ADVERTENCIA

Peligro de Peso Excesivo

Use dos o más personas para mover y desinstalar la secadora.

No seguir esta instrucción puede ocasionar una lesión en la espalda u otro tipo de lesiones.

3. Aleje la secadora de la pared lo suficiente para poder aflojar la abrazadera del ducto de escape. Afloje la abrazadera y quite cuidadosamente el ducto de escape de la salida de aire de la secadora.
4. Desconecte la línea flexible de suministro de gas de la secadora. Coloque un trozo de cinta sobre los extremos abiertos de los accesorios de conexión de la línea de gas.
5. Aleje la secadora de la pared para que pueda ser inclinada sobre su parte posterior.
6. Proteja el piso con un pedazo de cartón grande que se haya cortado del embalaje del pedestal. Ponga la secadora sobre su parte posterior (asegúrese de que el cable de suministro eléctrico no esté debajo de la secadora), de modo que el cartón esté debajo de todo el extremo posterior inferior de la secadora.



7. Vaya a la sección "Instalación del pedestal".

La lavadora o la secadora está aún en su empaque

⚠ ADVERTENCIA

Peligro de Peso Excesivo

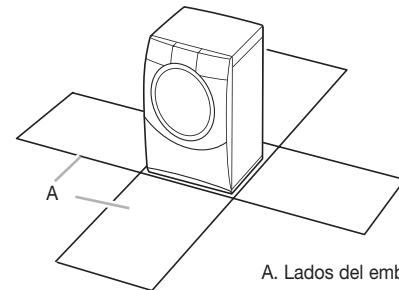
Use dos o más personas para mover la lavadora o la secadora.

No seguir esta instrucción puede ocasionar una lesión en la espalda u otro tipo de lesiones.

1. Coloque la lavadora o la secadora aún en su empaque cerca de su posición final. Corte el empaque de la siguiente manera:

Lavadora: Corte la película plástica a lo largo de la línea de puntos para cortar alrededor de la base. No quite el empaque. No quite los pernos de transporte en este momento.

Secadora: Corte el cartón alrededor de las esquinas superiores e inferiores, a lo largo de las líneas de puntos para cortar. Coloque los cuatro lados de cartón sobre el piso. Descarte el cartón superior y los postes esquineros.



IMPORTANTE: Deje la parte inferior del embalaje de cartón debajo de la secadora.

2. Coloque la lavadora o secadora sobre su parte posterior.

NOTA: Cuando coloque la lavadora sobre su parte posterior, mantenga la tapa inferior en el piso. No quite la película plástica, los postes esquineros ni la tapa superior. Estos artículos protegen el piso y la parte posterior de la lavadora.

Cuando ubica la secadora sobre su parte posterior, el piso y la parte posterior de la secadora están protegidos por las piezas de cartón.

INSTRUCCIONES DE INSTALACIÓN

Instalación del pedestal

Siga estas instrucciones para instalar el pedestal en una lavadora o secadora.

ADVERTENCIA

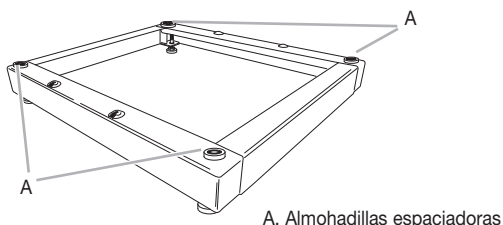
Peligro de Peso Excesivo

Use dos o más personas para mover e instalar el pedestal.

No seguir esta instrucción puede ocasionar una lesión en la espalda u otro tipo de lesiones.

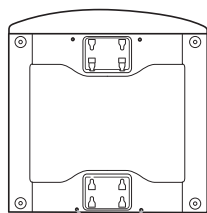
La bolsa de piezas contiene cuatro tornillos para lámina metálica de cabeza hexagonal #12 x 5/8", dos patas ajustables y las Instrucciones de instalación.

1. Asegúrese de que las cuatro almohadillas espaciadoras estén en su lugar en la parte superior del pedestal. Estas almohadillas han sido instaladas de fábrica para reducir la vibración entre el pedestal y la lavadora o la secadora.

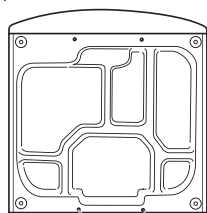


2. Retire las patas que hayan sido instaladas en su lavadora o secadora.
3. Instale parcialmente dos de los tornillos para lámina metálica de cabeza hexagonal N° 12 x 5/8" en los orificios inferiores. Deje un espacio de aproximadamente 3/8" (1 cm) entre la cabeza del tornillo y la parte inferior de la lavadora o secadora.

parte inferior de la lavadora



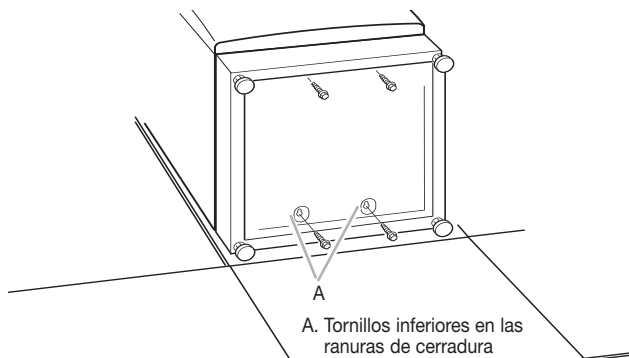
parte inferior de la secadora



A. Instale los tornillos

4. Mueva el pedestal contra la parte inferior de la lavadora o de la secadora. Deslice las ranuras de cerradura del pedestal sobre los dos tornillos inferiores que fueron parcialmente instalados.
5. Posicione el pedestal hacia la parte frontal de la lavadora o de la secadora e instale los otros dos tornillos para lámina metálica de cabeza hexagonal. No los apriete completamente.

6. Alinee los lados del pedestal para que coincidan con los lados de la lavadora o secadora. Busque dentro de la abertura del pedestal y ajuste fuertemente los cuatro tornillos de pedestal.



7. Para la lavadora, instale las patas que vinieron con la misma y guarde las dos patas incluidas en la caja de cartón, para usarlas en el futuro sobre el pedestal de una secadora. Para la secadora, instale las patas que vinieron con el pedestal.
8. Incline la lavadora o secadora a su posición vertical. Quite y descarte el material de empaque, incluyendo la película de plástico de la lavadora, los postes esquineros y la tapa superior.

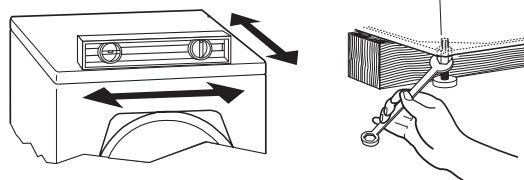
Complete la instalación

Siga las Instrucciones de instalación incluidas con su modelo para terminar la instalación o reinstalar su lavadora o secadora (es decir, mangueras, ductos de escape, etc.)

Nivele la lavadora o la secadora y el pedestal

La nivelación apropiada y el trabar las patas de su lavadora o secadora evitan el ruido y la vibración excesivos.

1. Verifique que las cuatro contratuercas en el pedestal estén apretadas con firmeza contra la carcasa del pedestal, usando una llave de boca de 14 mm.
2. Coloque la lavadora o la secadora en su ubicación final y verifique la nivelación de la misma. La lavadora o secadora no deberá moverse del frente hacia atrás, de lado a lado ni diagonalmente cuando se la empuje sobre sus bordes superiores. Retire los pernos de transporte de la lavadora.



3. Si la lavadora o secadora no está nivelada, muévala ligeramente hacia afuera antes de inclinarla hacia atrás. Primero apunte la parte frontal con un bloque de madera, afloje las contratuercas y regule las patas del pedestal según sea necesario. Luego apunte la parte posterior y regule las patas del pedestal, según sea necesario. Repita los pasos 1 a 3 hasta que la lavadora o la secadora quede nivelada.

IMPORTANTE: Se deben apretar las cuatro patas. Si no se aprietan las contratuercas contra la carcasa del pedestal, la lavadora o la secadora podría vibrar.

GARANTÍA DEL PEDESTAL COMERCIAL

GARANTÍA LIMITADA DE UN AÑO

Durante un año a partir de la fecha de compra, siempre y cuando se dé a este producto una instalación, un mantenimiento y funcionamiento de conformidad con las instrucciones adjuntas o provistas con el mismo, nos haremos cargo del costo de las piezas especificadas de fábrica para corregir defectos en los materiales o en la mano de obra. Se requiere una prueba de la fecha de compra original para obtener servicio bajo esta garantía.

NO PAGAREMOS POR LOS SIGUIENTES ARTÍCULOS

1. Todos los otros costos incluidos mano de obra, transporte o derechos de aduana.
 2. Visitas de servicio técnico para corregir la instalación de su aparato comercial, para enseñarle a usar su aparato comercial, para cambiar o reparar fusibles o para corregir el cableado externo o la tubería.
 3. Reparaciones cuando su electrodoméstico principal se use de un modo diferente al de un comercio normal.
 4. Daños causados por el manejo inapropiado del producto durante la entrega, robo, accidente, alteración, uso indebido, abuso, incendio, inundación, actos fortuitos, instalación incorrecta, instalación que no esté de acuerdo con los códigos eléctricos o de plomería locales, o el empleo de productos no aprobados por fabricante.
 5. Recogida y entrega. Este aparato comercial ha sido diseñado para ser reparado en su lugar.
 6. Reparaciones de piezas o sistemas como resultado de modificaciones no autorizadas que se hayan efectuado en el aparato comercial.
 7. La remoción y reinstalación de su aparato comercial, si estuviera instalado en un lugar inaccesible o si no estuviera instalado de conformidad con las instrucciones de instalación publicadas.
 8. Los daños ocasionados por productos químicos están excluidos de toda cobertura de la garantía.
 9. Cambios necesarios en el edificio, habitación o lugar para hacer que el aparato comercial funcione correctamente.
-

EXCLUSIÓN DE GARANTÍAS IMPLÍCITAS; LIMITACIONES DE RECURSOS

EL ÚNICO Y EXCLUSIVO RECURSO DEL CLIENTE SEGÚN LOS TÉRMINOS DE ESTA GARANTÍA LIMITADA SERÁ EL DE REPARAR EL PRODUCTO SEGÚN SE ESTIPULA EN LA PRESENTE. LAS GARANTÍAS IMPLÍCITAS, INCLUYENDO LAS GARANTÍAS DE COMERCIALIZACIÓN O DE CAPACIDAD PARA UN PROPÓSITO PARTICULAR, SERÁN LIMITADAS A UN AÑO O AL PERÍODO MÁS CORTO PERMITIDO POR LEY. WHIRLPOOL NO SE RESPONSABILIZARÁ POR DAÑOS INCIDENTALES O CONSECUENTES. ALGUNOS ESTADOS Y PROVINCIAS NO PERMITEN LAS EXCLUSIONES O LIMITACIONES POR DAÑOS INCIDENTALES O CONSECUENTES, O LIMITACIONES ACERCA DE CUÁNTO DEBE DURAR UNA GARANTÍA IMPLÍCITA DE COMERCIALIZACIÓN O CAPACIDAD, DE MODO QUE LAS LIMITACIONES O EXCLUSIONES ARRIBA MENCIONADAS PUEDEN NO APLICARSE EN SU CASO. ESTA GARANTÍA LE OTORGA DERECHOS LEGALES ESPECÍFICOS Y ES POSIBLE QUE USTED TENGA TAMBIÉN OTROS DERECHOS QUE PUEDEN VARIAR DE UN ESTADO A OTRO O DE UNA PROVINCIA A OTRA.

Si usted necesita servicio técnico, póngase en contacto con su distribuidor autorizado de aparatos de lavandería comercial. Para ubicar a su distribuidor autorizado de aparatos de lavandería comercial de Maytag, o para solicitar información por internet, visite www.MaytagCommercialLaundry.com

3/08

Para correspondencia por escrito:
Commercial Laundry Service Department
2000 M-63 North
Benton Harbor, Michigan 49022 USA

TABLE DES MATIÈRES

SÉCURITÉ DU PIÉDESTAL	12	INSTRUCTIONS D'INSTALLATION	15
EXIGENCES D'INSTALLATION	12	Installation du piédestal	15
Outils et pièces	12	Achever l'installation	15
Exigences d'emplacement	12	GARANTIE DE PIÉDESTAL COMMERCIAL	16
Avant d'installer le piédestal	13		

SÉCURITÉ DU PIÉDESTAL

Votre sécurité et celle des autres est très importante.

Nous donnons de nombreux messages de sécurité importants dans ce manuel et sur votre appareil ménager. Assurez-vous de toujours lire tous les messages de sécurité et de vous y conformer.



Voici le symbole d'alerte de sécurité.

Ce symbole d'alerte de sécurité vous signale les dangers potentiels de décès et de blessures graves à vous et à d'autres.

Tous les messages de sécurité suivront le symbole d'alerte de sécurité et le mot "DANGER" ou "AVERTISSEMENT". Ces mots signifient :

⚠ DANGER

Risque possible de décès ou de blessure grave si vous ne suivez pas immédiatement les instructions.

⚠ AVERTISSEMENT

Risque possible de décès ou de blessure grave si vous ne suivez pas les instructions.

Tous les messages de sécurité vous diront quel est le danger potentiel et vous disent comment réduire le risque de blessure et ce qui peut se produire en cas de non-respect des instructions.

EXIGENCES D'INSTALLATION

Outils et pièces

Regrouper tous les outils et les pièces avant de débiter le montage. Lire et suivre les instructions de sécurité fournies avec les outils indiqués ici.

Outils requis

- couteau utilitaire
- cliquet à tête hexagonale de 1/4" ou clé plate
- cliquet à tête hexagonale de 5/16" ou clé plate
- clé plate de 14 mm
- niveau
- clé plate de 9/16 po
- pinces ou pince à joint coulissant
- seau

Pièces fournies

- quatre vis à tôle de n°12 de 5/8" à tête hexagonale (dans le sachet de pièces)
- deux pieds de nivellement (dans le sachet de pièces)
- Instructions d'installation

REMARQUE : Pour installer le piédestal sous une laveuse, utiliser les pieds installés en usine sur la laveuse pour l'installation du piédestal; mettre les deux pieds fournis dans le sachet de pièces de côté et les utiliser lors de l'installation du piédestal de la sècheuse.

Exigences d'emplacement

⚠ AVERTISSEMENT



Risque d'explosion

Garder les matières et les vapeurs inflammables, telle que l'essence, loin de la sècheuse.

Placer la sècheuse au moins 46 cm (18 po) au-dessus du plancher pour une installation dans un garage.

Le non-respect de ces instructions peut causer un décès, une explosion ou un incendie.

REMARQUE : Si l'ensemble de la sècheuse et du piédestal se trouve dans un garage, il faut ajouter 15,5" (39,4 cm) en dessous du piédestal pour que la sècheuse soit à 18" (46 cm) au-dessus du plancher du garage.

Avant d'installer le piédestal

IMPORTANT : Si la laveuse et la sécheuse ont déjà été installées, elles doivent être désinstallées.

S'il est nécessaire de désinstaller la laveuse ou la sécheuse, se reporter aux Instructions d'installation fournies avec le modèle d'avoir les outils nécessaires.

Désinstallation de la laveuse

AVERTISSEMENT

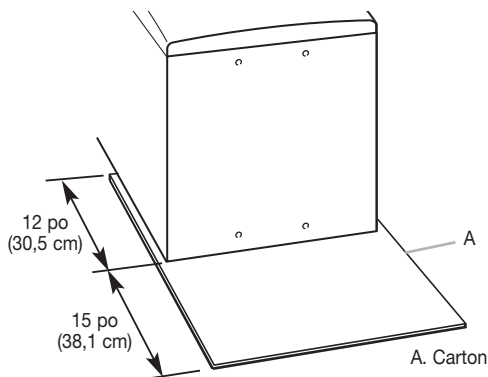
Risque du poids excessif

Utiliser deux ou plus de personnes pour déplacer et désinstaller la laveuse.

Le non-respect de cette instruction peut causer une blessure au dos ou d'autre blessure.

REMARQUE : Pour éviter tout dommage de suspension ou de structure, assurez-vous qu'un technicien qualifié prépare votre laveuse en vue de son déplacement.

1. Fermer les robinets d'eau chaude et d'eau froide.
2. Débrancher le cordon d'alimentation électrique ou déconnecter la source de courant électrique.
3. Desserrer lentement les tuyaux de remplissage au niveau des robinets pour relâcher la pression d'eau. Utiliser une éponge ou un essuie-tout pour absorber l'eau qui s'est déversée.
4. Retirer les tuyaux de remplissage d'eau chaude et d'eau froide de l'arrière de la laveuse. Vider l'excès d'eau des tuyaux dans une chaudière.
5. À l'aide de la pince, appuyer sur les extrémités de la bride du tuyau d'évacuation pour ouvrir la bride et la faire glisser le long du tuyau. Déconnecter le tuyau d'évacuation de la laveuse et vidanger toute eau restée dans le tuyau dans un seau.
6. Éloigner la laveuse du mur de façon à pouvoir la faire basculer la laveuse sur le dos.
7. Protéger le plancher à l'aide d'un grand morceau de carton découpé dans le carton du piédestal. Coucher la laveuse sur le dos (s'assurer que le cordon d'alimentation n'est pas sous la laveuse) de manière à ce que le carton protège la totalité de l'arête inférieure arrière de la laveuse. Une petite quantité d'eau supplémentaire sera évacuée de la laveuse lorsqu'on la basculera vers l'arrière.



8. Se reporter à la section "Installation du piédestal".

Désinstallation de la sécheuse électrique

1. Débrancher le cordon d'alimentation électrique.

AVERTISSEMENT



Risque de choc électrique

Déconnecter la source de courant électrique avant l'entretien.

Replacer pièces et panneaux avant de faire la remise en marche.

Le non-respect de ces instructions peut causer un décès ou un choc électrique.

2. Débrancher les câbles si la sécheuse est reliée directement.

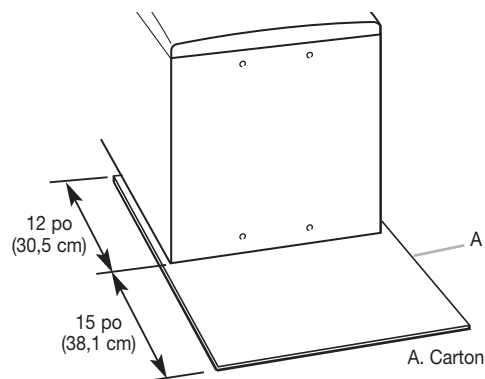
AVERTISSEMENT

Risque du poids excessif

Utiliser deux ou plus de personnes pour déplacer et désinstaller la sécheuse.

Le non-respect de cette instruction peut causer une blessure au dos ou d'autre blessure.

3. Éloigner la sécheuse du mur suffisamment pour vous permettre de desserrer la bride d'aération. Desserrer la bride et dégager doucement le conduit d'évacuation de la bouche d'évacuation de la sécheuse.
4. Éloigner la laveuse du mur de façon à pouvoir la faire basculer la sécheuse sur le dos.
5. Protéger le plancher à l'aide d'un grand morceau de carton découpé dans le carton du piédestal. Coucher la laveuse sur le dos (s'assurer que le cordon d'alimentation n'est pas sous la laveuse) de manière à ce que le carton protège la totalité de l'arête inférieure arrière de la laveuse.



6. Se reporter à la section "Installation du piédestal".

Désinstallation de la sècheuse au gaz

1. Débrancher le cordon d'alimentation électrique ou déconnecter la source de courant électrique.
2. Couper l'alimentation de gaz.

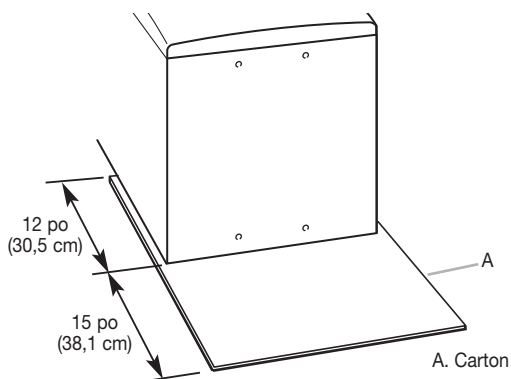
⚠ AVERTISSEMENT

Risque du poids excessif

Utiliser deux ou plus de personnes pour déplacer et désinstaller la sècheuse.

Le non-respect de cette instruction peut causer une blessure au dos ou d'autre blessure.

3. Éloigner la sècheuse du mur suffisamment pour pouvoir desserrer la bride d'aération. Desserrer la bride et retirer avec précaution le conduit d'évacuation de la bouche d'évacuation de la sècheuse.
4. Déconnecter le tuyau flexible d'alimentation de gaz de la sècheuse. Placer un morceau de ruban adhésif sur les extrémités ouvertes des raccords à compression de la canalisation de gaz.
5. Éloigner la sècheuse suffisamment pour pouvoir la faire basculer sur le dos.
6. Protéger le plancher à l'aide d'un grand morceau de carton découpé dans le carton du piédestal. Coucher la sècheuse sur le dos (s'assurer que le cordon d'alimentation n'est pas sous la sècheuse) de manière à ce que le carton protège la totalité de l'arête inférieure arrière de la sècheuse.



7. Se reporter à la section "Installation du Piédestal".

Si la laveuse ou la sècheuse se trouve encore dans son emballage

⚠ AVERTISSEMENT

Risque du poids excessif

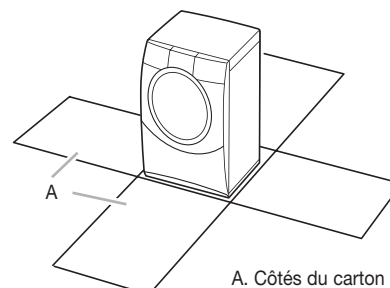
Utiliser deux ou plus de personnes pour déplacer la laveuse ou la sècheuse.

Le non-respect de cette instruction peut causer une blessure au dos ou d'autre blessure.

1. Placer la laveuse ou la sècheuse emballée le plus près de son emplacement définitif.
Laveuse : Découper la pellicule plastique le long des pointillés autour de la base. Ne pas retirer l'emballage. Ne retirer pas les boulons d'expédition.

Sècheuse : Découper le carton autour des coins supérieurs et inférieurs le tout au long du pointillé. Déposer les quatre côtés du carton sur le plancher. Mettre le dessus du carton et les pieds cornières au rebus.

IMPORTANT : Laisser la base du carton sous la sècheuse.



2. Placer la laveuse ou sècheuse sur le dos.
NOTE : Tandis que l'on place la laveuse sur sa partie arrière, garder l'embout inférieur au sol. Ne pas retirer la pellicule plastique, les cornières, ou le bouchon supérieur. Ils servent à protéger le plancher et la partie arrière de la laveuse.
Tandis que l'on place la sècheuse sur sa partie arrière, le carton sert de protection pour le plancher et la partie arrière de la sècheuse.

INSTRUCTIONS D'INSTALLATION

Installation du Piédestal

Suivre ces instructions pour l'installation du piédestal sur une laveuse ou une sécheuse.

AVERTISSEMENT

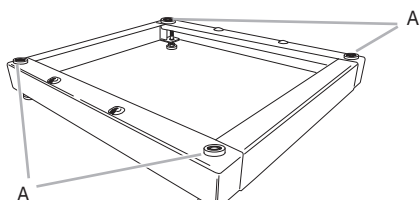
Risque du poids excessif

Utiliser deux ou plus de personnes pour déplacer et installer le piédestal.

Le non-respect de cette instruction peut causer une blessure au dos ou d'autre blessure.

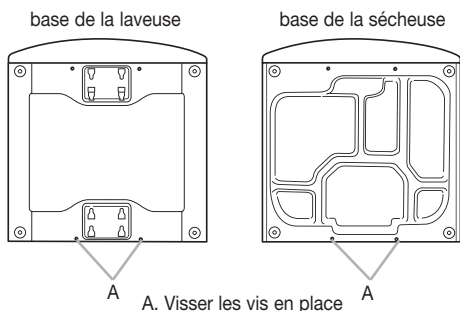
Le sachet de pièces contient quatre vis à tôle n°12 de 5/8" à tête hexagonale, deux pieds de nivellement, et les instructions l'installation.

1. S'assurer que les quatre cales d'espacement sont bien en place sur la partie supérieure du piédestal. Ces cales sont préinstallées à l'usine en vue d'amoindrir les vibrations entre le piédestal et la laveuse ou sécheuse.



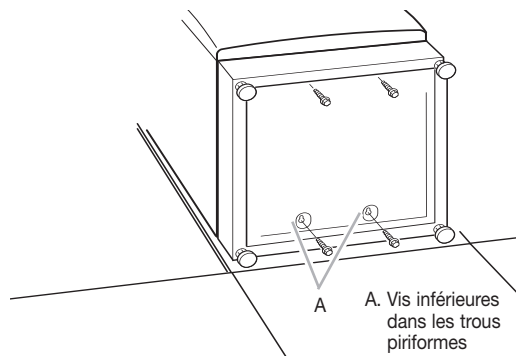
A. Cales d'espacement

2. Retirer les pieds de la laveuse ou la sécheuse.
3. Installer partiellement deux des vis à tôle n°12 de 5/8" à tête hexagonale dans les trous du dessous. Laisser un espace d'environ 3/8" (1 cm) entre la tête de la vis et la base inférieure de la laveuse ou de la sécheuse.



4. Placer le piédestal sur la partie inférieure de la laveuse ou de la sécheuse. Faire glisser les trous piriformes du piédestal par-dessus les deux vis inférieures partiellement installées.
5. Placer le piédestal vers l'avant de la laveuse ou de la sécheuse et fixer les deux autres vis à tôle à tête hexagonale. Ne pas serrer complètement.

6. Aligner les côtés du piédestal afin qu'ils soient de niveau avec les côtés de la laveuse ou sécheuse. Atteindre l'intérieur de l'ouverture du tiroir du piédestal et visser solidement les quatre vis du piédestal.



7. Dans le cas de la laveuse, installer les pattes de la laveuse; conserver les deux pieds inclus dans l'emballage pour usage ultérieur sur un piédestal de sécheuse. Pour ce qui est de la sécheuse, installer les pieds fournis avec le piédestal.
8. Faire basculer la laveuse et la sécheuse en position debout. Retirer l'emballage, y compris la pellicule plastique de la laveuse, les cornières, et l'embout supérieur et les mettre au rebut.

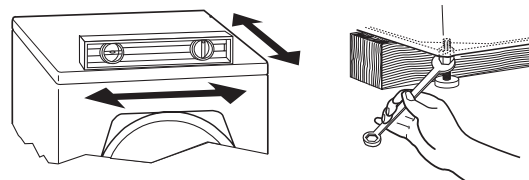
Achever l'installation

Suivre les instructions d'installation fournies avec votre modèle de laveuse ou sécheuse pour en terminer l'installation ou la réinstallation.

Mettre la laveuse ou sécheuse et le piédestal de niveau

La mise à niveau et le resserrement des pieds sur la laveuse ou sécheuse permet de réduire l'excès de bruit et les vibrations.

1. Veiller à ce que les quatre contre-écrous des pieds du piédestal sont bien resserrés contre la caisse du piédestal. Pour ce faire, utiliser une clé plate de 14 mm.
2. Placer la laveuse ou sécheuse dans son emplacement définitif et vérifier l'aplomb de la laveuse ou sécheuse. La laveuse ou sécheuse ne devrait pas se déplacer de l'avant vers l'arrière, d'un côté à l'autre, ou en diagonale lorsque l'on pousse sur les bords des appareils. Retirer les boulons d'expédition de la laveuse.



3. Si la laveuse ou sécheuse n'est pas de niveau, retirer légèrement la laveuse ou sécheuse avant de la faire basculer vers l'arrière. Étayer la partie avant en premier à l'aide d'un bloc de bois; desserrer les contre-écrous; et régler les pieds du piédestal au besoin. Étayer la partie arrière et régler les pieds du piédestal au besoin. Répéter les étapes 1 à 3 jusqu'à ce que la laveuse ou sécheuse soit de niveau.

IMPORTANT : Chacun des quatre pattes doit être resserrée. Si les contre-écrous ne sont pas bien serrés sur le cabinet du piédestal, la laveuse ou sécheuse pourrait être sujette à des vibrations.

GARANTIE DE PIÉDESTAL COMMERCIAL

GARANTIE LIMITÉE DE UN AN

Pendant un an à compter de la date d'achat, lorsque ce produit est installé, utilisé et entretenu conformément à toutes les instructions fournies avec le produit, nous paierons pour les pièces de rechange spécifiées par l'usine pour corriger les vices de matériaux ou de fabrication. Une preuve de la date d'achat originale est nécessaire pour obtenir un service sous la présente garantie.

NOUS NE PRENDRONS PAS EN CHARGE

1. Tout autre coût y compris la main d'œuvre, le transport ou les frais de douanes.
 2. Les visites de service pour rectifier l'installation de l'appareil commercial de l'utilisateur, lui montrer comment utiliser l'appareil commercial, remplacer ou réparer des fusibles ou rectifier le câblage extérieur ou la plomberie du domicile.
 3. Les réparations lorsque l'appareil commercial est utilisé à des fins autres que son usage commercial normal.
 4. Les dommages imputables à : utilisation irrégulière du produit durant la livraison, vol, accident, modification, usage impropre ou abusif, incendie, inondation, actes de Dieu, installation fautive ou installation non conforme aux codes locaux d'électricité ou de plomberie, ou l'utilisation de produits non approuvés par le fabricant.
 5. Le ramassage et la livraison. Cet appareil commercial est conçu pour être réparé à domicile.
 6. Les réparations aux pièces ou systèmes résultant de modifications non autorisées faites à l'appareil commercial.
 7. La dépose et la réinstallation de l'appareil commercial si celui-ci est installé dans un endroit inaccessible ou n'est pas installé conformément aux instructions d'installation fournies.
 8. Les dommages liés à des produits chimiques sont exclus de toute protection sous cette garantie.
 9. Toute modification devant être faite à l'édifice, à la pièce, ou aux lieux en vue d'assurer le bon fonctionnement de l'appareil commercial.
-

CLAUSE D'EXONÉRATION DE RESPONSABILITÉ AU TITRE DES GARANTIES IMPLICITES; LIMITATION DES RECOURS

LE SEUL ET EXCLUSIF RECOURS DU CLIENT DANS LE CADRE DE LA PRÉSENTE GARANTIE LIMITÉE CONSISTE EN LA RÉPARATION PRÉVUE CI-DESSUS. LES GARANTIES IMPLICITES, Y COMPRIS LES GARANTIES APPLICABLES DE QUALITÉ MARCHANDE ET D'APTITUDE À UN USAGE PARTICULIER, SONT LIMITÉES À UN AN OU À LA PLUS COURTE PÉRIODE AUTORISÉE PAR LA LOI. WHIRLPOOL N'ASSUME AUCUNE RESPONSABILITÉ POUR LES DOMMAGES FORTUITS OU INDIRECTS. CERTAINES JURIDICTIONS NE PERMETTENT PAS L'EXCLUSION OU LA LIMITATION DES DOMMAGES FORTUITS OU INDIRECTS, OU LES LIMITATIONS DE LA DURÉE DES GARANTIES IMPLICITES DE QUALITÉ MARCHANDE OU D'APTITUDE À UN USAGE PARTICULIER, DE SORTE QUE CES EXCLUSIONS OU LIMITATIONS PEUVENT NE PAS S'APPLIQUER DANS VOTRE CAS. CETTE GARANTIE VOUS CONFÈRE DES DROITS JURIDIQUES SPÉCIFIQUES ET VOUS POUVEZ ÉGALEMENT JOUIR D'AUTRES DROITS QUI PEUVENT VARIER D'UNE JURIDICTION À UNE AUTRE.

Si vous avez besoin de service, veuillez communiquer avec votre distributeur agréé de buanderie commerciale.

Pour localiser votre distributeur de buanderie commerciale Maytag, ou pour toute demande de renseignement sur le Web, consultez le site : www.MaytagCommercialLaundry.com

3/08

Pour toute correspondance écrite :
Commercial Laundry Service Department
2000 M-63 North
Benton Harbor, Michigan 49022 USA

W10103370A

© 2008
All rights reserved.
Todos los derechos reservados.
Tous droits réservés.

16

03/2008
Printed in U.S.A.
Impreso en EE.UU.
Imprimé aux É.-U.