

30" (76.2 CM) AND 36" (91.4 CM) ELECTRIC DOWNDRAFT COOKTOP INSTALLATION INSTRUCTIONS

INSTRUCTIONS D'INSTALLATION DE LA TABLE DE CUISSON ÉLECTRIQUE AVEC ASPIRATION PAR LE BAS DE 30" (76,2 CM) ET 36" (91,4 CM)

Table of Contents/Table des matières

COOKTOP SAFETY	2	SÉCURITÉ DE LA TABLE DE CUISSON	13
INSTALLATION REQUIREMENTS	3	EXIGENCES D'INSTALLATION	14
Tools and Parts	3	Outils et pièces.....	14
Location Requirements	3	Exigences d'emplacement.....	14
Venting Requirements	5	Exigences concernant l'évacuation	16
Venting Methods	6	Méthodes d'évacuation.....	17
Electrical Requirements	8	Spécifications électriques	19
INSTALLATION INSTRUCTIONS	9	INSTRUCTIONS D'INSTALLATION	20
Prepare Cooktop	9	Préparation de la table de cuisson	20
Install Foam Strip.....	9	Installation de la bande de mousse	20
Rotate Blower - Optional.....	9	Rotation du ventilateur - Facultative.....	20
Install Cooktop	11	Installation de la table de cuisson.....	22
Make Electrical Connection	11	Raccordement électrique.....	22
Complete Installation.....	12	Achever l'installation	23

IMPORTANT:

Save for local electrical inspector's use.

IMPORTANT :

À conserver pour consultation par l'inspecteur local des installations électriques.

COOKTOP SAFETY

Your safety and the safety of others are very important.

We have provided many important safety messages in this manual and on your appliance. Always read and obey all safety messages.



This is the safety alert symbol.

This symbol alerts you to potential hazards that can kill or hurt you and others.

All safety messages will follow the safety alert symbol and either the word "DANGER" or "WARNING."

These words mean:

! DANGER

You can be killed or seriously injured if you don't immediately follow instructions.

! WARNING

You can be killed or seriously injured if you don't follow instructions.

All safety messages will tell you what the potential hazard is, tell you how to reduce the chance of injury, and tell you what can happen if the instructions are not followed.

INSTALLATION REQUIREMENTS

Tools and Parts

Gather the required tools and parts before starting installation. Read and follow the instructions provided with any tools listed here.

Tools needed

- Tape measure
- Flat-blade screwdriver
- Phillips head screwdriver
- Drill
- Level
- 6" socket extension
- Marker or pencil
- Pliers
- ¼" drill bit
- Jigsaw
- Ratchet with ⅜" socket

Parts supplied

- Vent grille
- Pre-filter

Parts needed

- A UL listed or CSA approved strain relief for 7/8" (2.2 cm) knockout.
- A UL listed or CSA approved conduit connector for ½" (1.3 cm) trade-size metal-clad conduit
- UL listed wire connectors
- Metal ducting
- Wall cap

6" (15.2 cm) Round Surface Wall Cap Damper
Order Part Number A406

5" (12.7 cm) Round Surface Wall Cap Damper
Order Part Number A405

3¼" x 10" (8.3 x 25.4 cm) Surface Wall Cap Damper
Order Part Number A403

To order, see the "Assistance or Service" section of the Use and Care Guide.

- Vent clamps

Check local codes. Check existing electrical supply. See "Electrical Requirements" section.

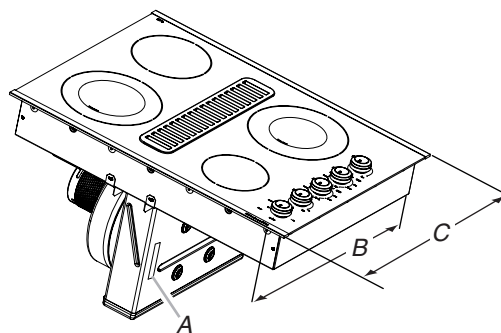
It is recommended that all electrical connections be made by a licensed, qualified electrical installer.

- Grounded electrical supply is required. See "Electrical Requirements" section.
- If cabinet has drawers, drawers will need to be removed and drawer fronts installed on front of cabinet.

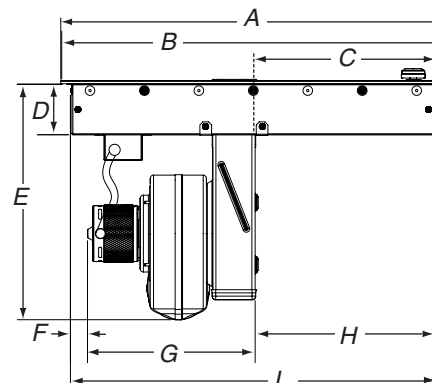
IMPORTANT: An under-counter built-in oven cannot be installed under this product.

Product Dimensions

30" (76.2 cm) Cooktop - for standard and electric models



- A. Model/serial rating/clearance plate location
- B. 21" (53.4 cm) screw head to screw head
- C. 22" (52.3 cm) without stainless steel trim or 21^{37/64}" (54.8 cm) with stainless steel trim



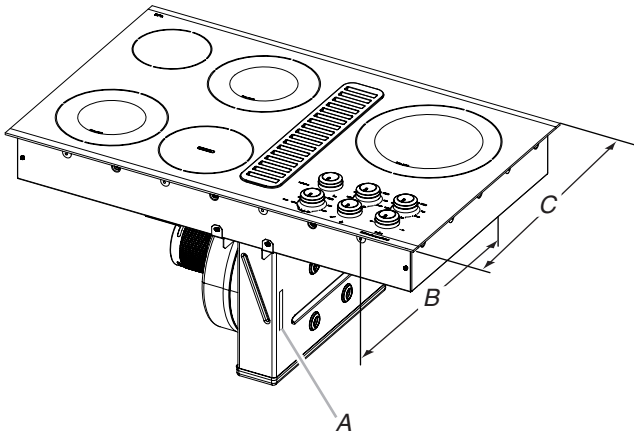
- A. 30^{1/32}" (76.3 cm) with stainless steel trim
- B. 29^{15/16}" (76.1 cm) without stainless steel trim
- C. 14^{5/16}" (36.4 cm)
- D. 3^{3/32}" (10.1 cm)
- E. 18^{13/32}" (46.8 cm)
- F. 1^{11/32}" (3.4 cm)
- G. 13^{3/32}" (33.3 cm)
- H. 14^{3/16}" (36.0 cm)
- I. 28^{5/8}" (72.7 cm) screw head to screw head

Location Requirements

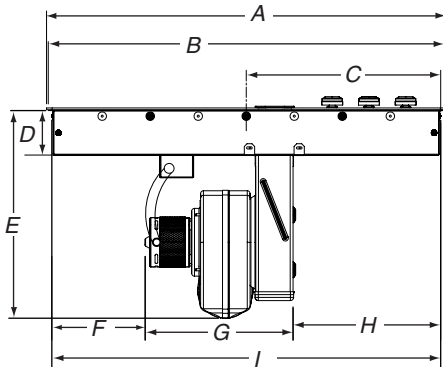
IMPORTANT: Observe all governing codes and ordinances. When installing cooktop, use minimum dimensions given.

- To eliminate the risk of burns or fire by reaching over the heated surface units, cabinet storage space located above the surface units should be avoided. If cabinet storage is to be provided, the risk can be reduced by installing a range hood that projects horizontally a minimum of 5" (12.7 cm) beyond the bottom of the cabinets.
- Use the countertop opening dimensions that are given with these Installation Instructions. Given dimensions are minimum clearances and provide 0" (0 cm) clearance.

36" (91.4 cm) Cooktop - for standard and electric models

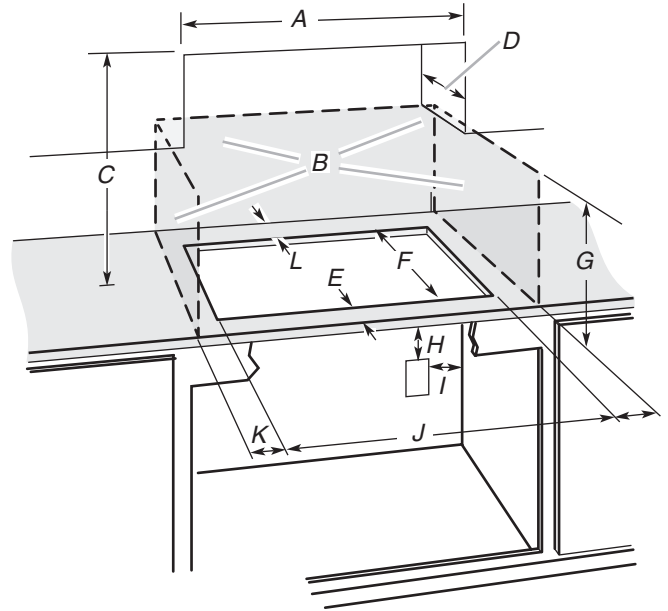


- A. Model/serial rating/clearance plate location
- B. 21" (53.4 cm) screw head to screw head
- C. 22" (52.3 cm) without stainless steel trim or 21³⁷/₆₄" (54.8 cm) with stainless steel trim



- A. 35²⁹/₆₄" (90.1 cm) with stainless steel trim
- B. 35²⁹/₆₄" (89.9 cm) without stainless steel trim
- C. 17³¹/₆₄" (43.8 cm)
- D. 3²⁵/₃₂" (9.6 cm)
- E. 18¹³/₃₂" (46.8 cm)
- F. 8¹⁷/₆₄" (20.9 cm)
- G. 13³/₃₂" (33.3 cm)
- H. 13¹/₁₆" (33.2 cm)
- I. 34³¹/₆₄" (87.6 cm) screw head to screw head

Cabinet Dimensions

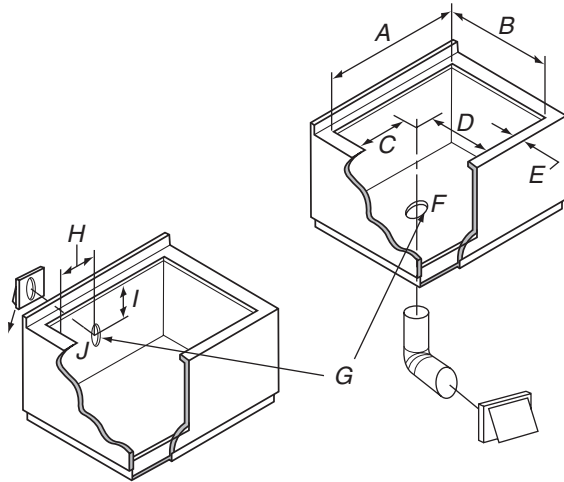


- A. 30" (76.2 cm) on 30" (76.2 cm) models
36" (91.4 cm) on 36" (91.4 cm) models
- B. Combustible area above countertop (shown by dashed box above)
- C. 30" (76.2 cm) minimum clearance between top of cooktop platform and bottom of uncovered wood or metal cabinet (24" [61 cm] minimum clearance if bottom of wood or metal cabinet is covered by not less than 1/4" [0.6 cm] flame retardant millboard covered with not less than No. 28 MSG sheet steel, 0.015" [0.04 cm] stainless steel, or 0.024" [0.06 cm] aluminum or 0.020" [0.05 cm] copper)
- D. 13" (33 cm) recommended upper cabinet depth
- E. 2" (5.1 cm)
- F. 21¹/₈" (73.4 cm)
- G. 18" (45.7 cm) minimum clearance from upper cabinet to countertop within minimum horizontal clearances to cooktop
- H. Junction box or outlet; 12" (30.5 cm) minimum from bottom of countertop
- I. Junction box or outlet; 10" (25.4 cm) from right-hand side of cabinet
- J. 28⁷/₈" (73.4 cm) on 30" (76.2 cm) models
34⁹/₁₆" (87.8 cm) on 36" (91.4 cm) models
- K. 2¹/₂" (6.4 cm) minimum distance to nearest left and right side combustible surface above cooktop
- L. 1¹/₂" (3.8 cm) minimum clearance between back wall and countertop

NOTES: After making the countertop cutout, some installations may require notching down the base cabinet side walls to clear the cooktop base. To avoid this modification, use a base cabinet with sidewalls wider than the cutout.

- A minimum side clearance of 6" (15.2 cm) is recommended between side of cooktop and side wall for maximum ventilation performance.
- A minimum clearance of 2" (5.1 cm) is recommended between the motor/blower and cabinet for proper cooling. A 6" (15.2 cm) clearance is recommended for servicing access.

Cutout Dimensions



- A. $28\frac{7}{8}$ " (73.4 cm) maximum on 30" (76.2 cm) models
 $34\frac{9}{16}$ " (87.8 cm) maximum on 36" (91.4 cm) models
- B. $21\frac{1}{8}$ " (53.7 cm) maximum on both 30" (76.2 cm) and 36" (91.4 cm) models
- C. $8\frac{1}{2}$ " (21.8 cm) on 30" (76.2 cm) models
 $15\frac{7}{16}$ " (39.2 cm) on 36" (91.4 cm) models
- D. $6\frac{1}{64}$ " (16.0 cm) on both 30" (76.2 cm) and 36" (91.4 cm) models
- E. 2" (5.1 cm) minimum space to front edge of cooktop
- F. Floor exhaust option
- G. $6\frac{1}{8}$ " (15.6 cm) for 6" (15.2 cm) vent system
5" (13 cm) for 5" (12.7 cm) vent system
- H. $8\frac{1}{2}$ " (21.8 cm) on 30" (76.2 cm) models
 $15\frac{7}{16}$ " (39.2 cm) on 36" (91.4 cm) models
- I. 16" (40.6 cm) on both 30" (76.2 cm) and 36" (91.4 cm) models
- J. Wall exhaust option

Venting Requirements

IMPORTANT: This cooktop must be exhausted outdoors.

- Do not terminate the vent system in an attic or other enclosed area.
- Use a vent cap.
- Vent system must terminate to the outside.
- Use only a 6" (15.2 cm) diameter round or $3\frac{1}{4}$ " x 10" (8.3 x 25.4 cm) rectangular vent except as follows: For electric cooktops, a 5" (12.7 cm) diameter round vent may be used for venting straight out the back of the cooktop and directly through the wall for 10 ft (3.0 m) or less.
- Before making cutouts, make sure there is proper clearance within the wall or floor for the exhaust vent.
- Do not cut a joist or stud unless absolutely necessary. If a joist or stud must be cut, then a supporting frame must be constructed.
- The size of the vent should be uniform.
- The vent system must have a damper. If roof or wall cap has a damper, do not use damper supplied with the range hood.
- Use vent clamps to seal all joints in the vent system.
- Use caulking to seal exterior wall or roof opening around the cap.
- Determine which venting method is best for your application.

For Best Performance:

- Use 26-gauge minimum galvanized or 25-gauge minimum aluminum metal vent. Poor quality pipe fittings can reduce airflow. Flexible metal vent is not recommended.
- **NOTE:** Local codes may require a heavier gauge material.
- Metal duct may be reduced to 30-gauge galvanized steel or 26-gauge aluminized steel if allowed by local codes. This reduction is based on information in the International Residential Codes Section M1601.1 (2006 edition).
- Do not install 2 elbows together.
- Use no more than three 90° elbows.
- If an elbow is used, install it as far away as possible from the hood's vent motor exhaust opening.
- Make sure there is a minimum of 18" (45.7 cm) of straight vent between the elbows if more than one elbow is used.
- Elbows too close together can cause excess turbulence that reduces airflow.
- Do not use a 5" (12.7 cm) elbow in a 6" (15.2 cm) or $3\frac{1}{4}$ " x 10" (8.3 x 25.4 cm) system.
- Do not reduce to a 5" (12.7 cm) system after using 6" (15.2 cm) or $3\frac{1}{4}$ " x 10" (8.3 x 25.4 cm) fittings.
- Avoid forming handmade crimps. Handmade crimps may restrict airflow.
- Use a vent cap for proper performance. If an alternate wall or roof cap is used, be certain the cap size is not reduced and that it has a back draft damper.
- Use vent clamps to seal all joints in the vent system.
- Use caulking to seal exterior wall or roof opening around the cap.

The length of vent system and number of elbows should be kept to a minimum to provide efficient performance.

The maximum equivalent length of the vent system is 60 ft (18.3 m). For altitudes above 4,500 ft (1272 m), reduce recommended vent run by 20% for best performance.

Cold Weather Installations

An additional back draft damper should be installed to minimize backward cold air flow and a thermal break installed to minimize conduction of outside temperatures as part of the vent system. The damper should be on the cold air side of the thermal break.

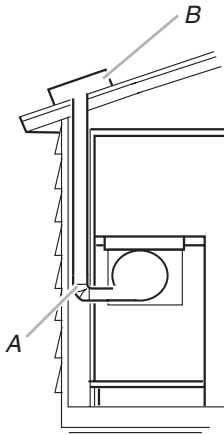
Makeup Air

Local building codes may require the use of makeup air systems when using ventilation systems greater than specified CFM of air movement. The specified CFM varies from locale to locale. Consult your HVAC professional for specific requirements in your area.

Venting Methods

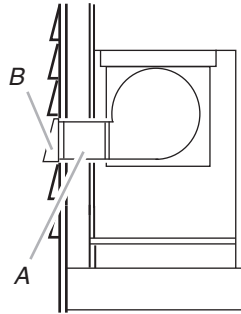
Common venting methods are shown for a counter-mounted downdraft cooktop. The cooktop may be vented through the wall or floor.

Option 1 - Roof Venting



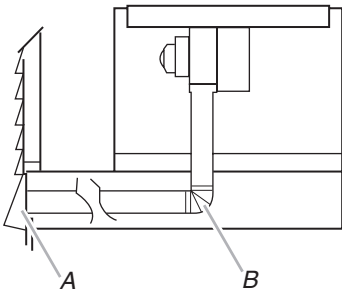
- A. Roof cap
- B. 6" (15.2 cm) round roof venting

Option 2 - Wall Venting



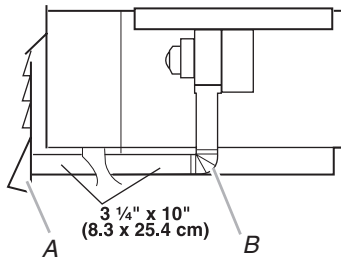
- A. 6" (15.2 cm) round wall venting
- B. Wall cap

Option 3 - Venting Between Floor Joist



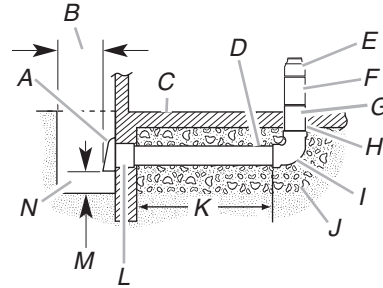
- A. Wall cap
- B. 6" (15.2 cm) round wall venting

Option 4 - Venting behind Cabinet Kick Plate



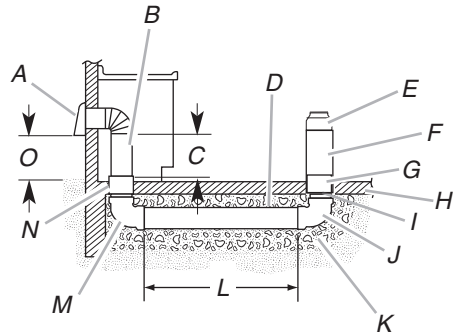
- A. Wall cap
- B. 6" (15.2 cm) round wall venting

Concrete Slab Installations - Exhaust Through Window Well



- A. Wall cap
- B. 12" (30.5 cm) minimum
- C. Concrete slab
- D. 6" (15.2 cm) round PVC sewer pipe
- E. 5" to 6" (12.7 cm to 15.2 cm) transition
- F. 6" (15.2 cm) round metal duct
- G. 6" (15.2 cm) round PVC coupling
- H. 6" (15.2 cm) round PVC sewer pipe
- I. 6" (15.2 cm) round 90° PVC sewer pipe elbow
- J. Tightly pack gravel or sand completely around pipe.
- K. 42 ft (12.8 m) max.
- L. 6" (15.2 cm) round PVC coupling
- M. 6" (15.2 cm) minimum
- N. Window well




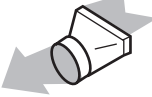
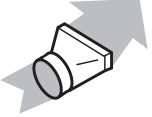
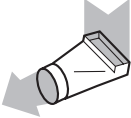
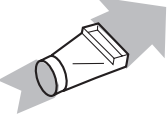

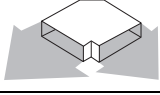


Concrete Slab Installations - Exhaust Through Wall



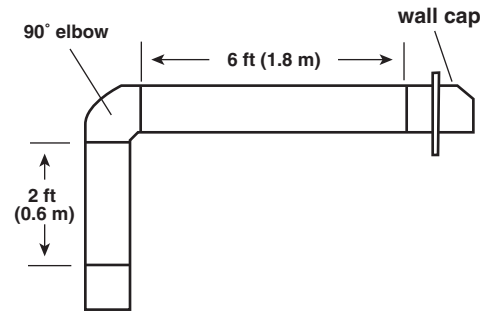
- A. Wall cap
- B. 6" (15.2 cm) round metal vent
- C. 16" (40.6 cm) maximum
- D. 6" (15.2 cm) round PVC sewer pipe
- E. 5" to 6" (12.7 cm to 15.2 cm) transition
- F. 6" (15.2 cm) round metal duct
- G. 6" (15.2 cm) round PVC coupling
- H. Concrete slab
- I. 6" (15.2 cm) round PVC sewer pipe
- J. 6" (15.2 cm) round 90° PVC sewer pipe elbow
- K. Tightly pack gravel or sand completely around pipe.
- L. 30 ft (9.1 m) max.
- M. 6" (15.2 cm) round 90° PVC sewer pipe elbow
- N. 6" (15.2 cm) round PVC coupling
- O. 12" (30.5 cm) minimum

Calculating Vent System Length

To calculate the length of the system you need, add the equivalent feet (meters) for each vent piece used in the system.

Vent Piece	6" (15.2 cm) Round	
45° elbow	2.5 ft (0.8 m)	
90° elbow	5.0 ft (1.5 m)	
6" (15.2 cm) wall cap	0.0 ft (0.0 m)	
3¼" x 10" (8.3 cm x 25.4 cm) to 6" (15.2 cm) transition	4.5 ft (1.4 m)	
6" (15.2 cm) to 3¼" x 10" (8.3 cm x 25.4 cm) transition	1 ft (0.3 m)	
3¼" x 10" (8.3 cm x 25.4 cm) to 6" (15.2 cm) 90° elbow transition	9.0 ft (2.7 m)	
6" (15.2 cm) to 3¼" x 10" (8.3 cm x 25.4 cm) 90° elbow transition	5.0 ft (1.5 m)	
3¼" x 10" (8.3 cm x 25.4 cm) 90° elbow	5.0 ft (1.5 m)	
3¼" x 10" (8.3 cm x 25.4 cm) flat elbow	12.0 ft (3.7 m)	
3¼" x 10" (8.3 cm x 25.4 cm) wall cap	0.0 ft (0.0 m)	
5" to 6" (12.7 cm to 15.2 cm) transition	1 ft (0.3 m)	

Example vent system



1- 90° elbow	= 5 ft (1.5 m)
8 ft (2.4 m) straight	= 8 ft (2.4 m)
1 - wall cap	= 0 ft (0 m)
System length	= 13 ft (3.9 m)

NOTE: Flexible vent is not recommended. Flexible vent creates back pressure and air turbulence that greatly reduce performance.

Determine Range Blower Setting

This cooktop is equipped with a dual range blower. It is shipped from the factory in the low range for most installations. If the equivalent duct length exceeds 30 ft (9.1 m), it must be converted to high range. Do not convert the blower to high range for shorter lengths; this will cause excessive noise and conditioned air loss. Convert blower before installing into countertop if necessary.

To Convert to High Range:

! WARNING

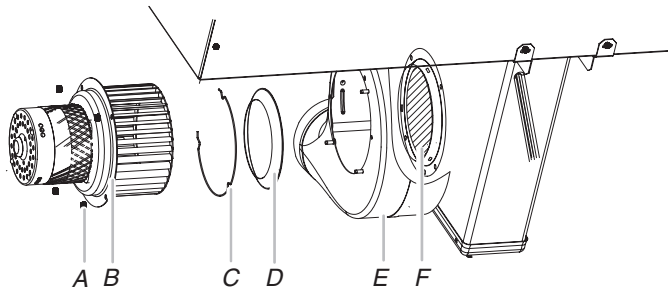
Excessive Weight Hazard

Use two or more people to move and install cooktop.

Failure to do so can result in back or other injury.

- Using 2 or more people, place cooktop on floor with front edge and plenum down.
- Remove the four #10 - 32 locknuts (A) that attach the blower motor assembly to the blower exhaust scroll.
- Remove the blower motor assembly (B) from the blower exhaust scroll (E).
- Slowly reach in the blower exhaust scroll opening and remove the retainer (C).
- Gently remove the restrictor ring (D).
- Place the motor assembly back on the studs of the blower exhaust scroll.

7. Reattach the four #10-32 locknuts to secure the blower motor assembly back to the blower exhaust scroll.



- A. #10 - 32 locknut
 B. Blower motor and wheel assembly
 C. Retainer
 D. Restrictor ring
 E. Exhaust scroll
 F. Blower wheel guard

Electrical Requirements

⚠ WARNING



Electrical Shock Hazard

Disconnect power before servicing.

Use 8 gauge copper wire.

Electrically ground cooktop.

Failure to follow these instructions can result in death, fire, or electrical shock.

If codes permit and a separate ground wire is used, it is recommended that a qualified electrical installer determine that the ground path and wire gauge are in accordance with local codes.

Check with a qualified electrical installer if you are not sure the cooktop is properly grounded.

Make sure that the electrical connection and wire size are adequate and in conformance with the National Electrical Code, ANSI/NFPA 70-latest edition or CSA Standards C22.1-94, Canadian Electrical Code, Part 1 and C22.2 No. O-M91-latest edition, and all local codes and ordinances.

A copy of the above code standards can be obtained from:

National Fire Protection Association
 One Batterymarch Park
 Quincy, MA 02269

CSA International
 8501 East Pleasant Valley Road
 Cleveland, OH 44131-5575

Before You Make the Electrical Connection:

To properly install your cooktop, you must determine the type of electrical connection you will be using and follow the instructions provided for it here.

- A 4-wire or 3-wire, single phase, 120/240 volt, 60 Hz., AC only electrical supply on a separate, 40-amp circuit breaker is required for both 30" (76.2 cm) and 36" (91.4 cm) models. If a fused system is used, fuse both sides of the line.
- The cooktop should be connected directly to the junction box through the flexible metal conduit. The flexible, armored cable extending from the fuse box or circuit breaker box should be connected directly to the junction box.
- Locate the junction box to allow as much slack as possible between the junction box and the cooktop so that the cooktop can be moved if servicing becomes necessary in the future.
- A UL listed or CSA approved conduit connector must be provided at each end of the power supply cable (at the cooktop and at the junction box).
- If the house has aluminum wiring follow the procedure below:

1. Connect a section of solid copper wire to the pigtail leads.
2. Connect the aluminum wiring to the added section of copper wire using special connectors and/or tools designed and UL listed for joining copper to aluminum.

Follow the electrical connector manufacturer's recommended procedure. Aluminum/copper connection must conform with local codes and industry accepted wiring practices.

INSTALLATION INSTRUCTIONS

Prepare Cooktop

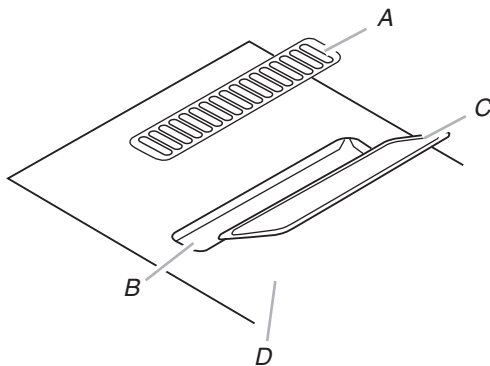
Decide on the final location for the cooktop.

⚠ WARNING

Excessive Weight Hazard

**Use two or more people to move and install cooktop.
Failure to do so can result in back or other injury.**

1. Open product as instructed on product packaging.
2. Remove shipping materials and tape from cooktop.
3. Remove vent grille.



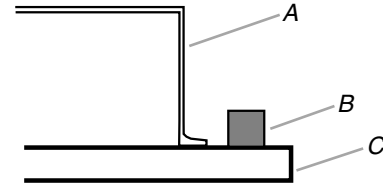
A. Vent grille
B. Plenum
C. Removable grease filter
D. Ceramic glass top

4. Remove the removable grease filter by lifting the filter out.
5. Using 2 or more people, remove the cooktop from the carton.
6. Use foam end caps from the packaging as a work surface for the floor or countertop.
7. Using 2 or more people, place the cooktop upside down on the foam end caps.
8. Make sure knobs are positioned in the open areas of the end caps.
9. Avoid placing the cooktop facedown on the control knobs.

Install Foam Strip

1. Remove foam strip from the package containing literature.
2. Remove backing from foam strip.
3. Apply foam strip adhesive-side down around bottom of cooktop, flush with edge.

NOTE: The foam strip keeps the underside of the cooktop glass free from debris and helps the cooktop sit flat on uneven counters.

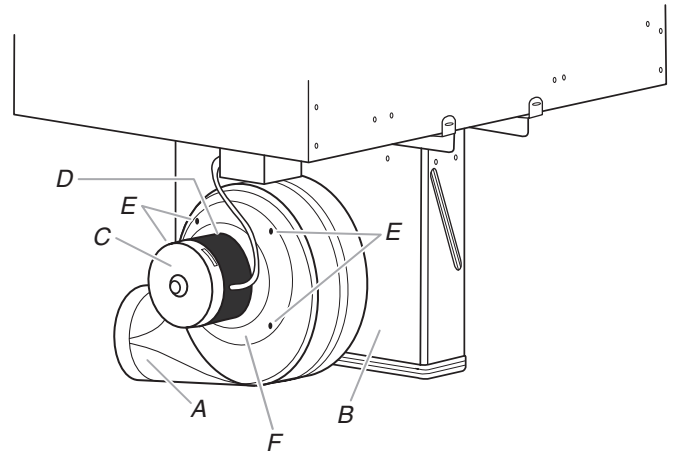


A. Cooktop base
B. Foam strip
C. Glass

Rotate Blower - Optional

IMPORTANT: The following additional steps must be performed if the product is being installed in peninsula or island cabinetry.

The blower exhaust scroll is shipped from the factory set to exhaust straight out the back of the cabinet through an exterior wall.

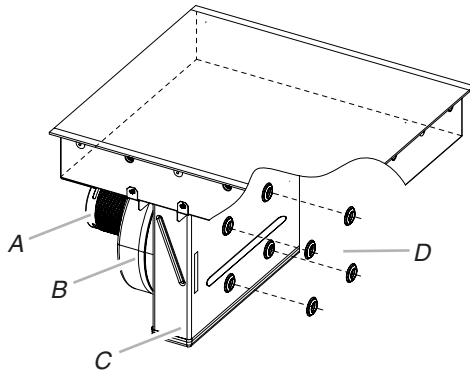


A. Blower exhaust scroll
B. Plenum
C. Blower motor
D. Top label
E. 10-32 machine nuts (4)
F. Motor mounting plate

To rotate blower:

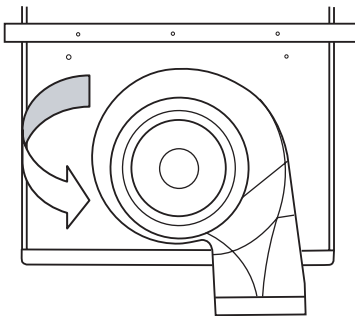
1. Locate the four plastic plugs in the plenum bypass.
2. Use the pliers to remove the plastic plugs.

IMPORTANT: Do not throw away the plastic plugs. The plastic plugs must be reinstalled after the blower exhaust scroll has been rotated.



A. Blower motor
B. Exhaust scroll
C. Plenum
D. Plastic plugs (4)

3. Insert the $\frac{3}{8}$ " socket and extension into the hole and use the ratchet handle to loosen the nut half of a rotation. Repeat this process for each of the four nuts.
4. With the nuts loosened, the blower exhaust scroll can be easily rotated downward.

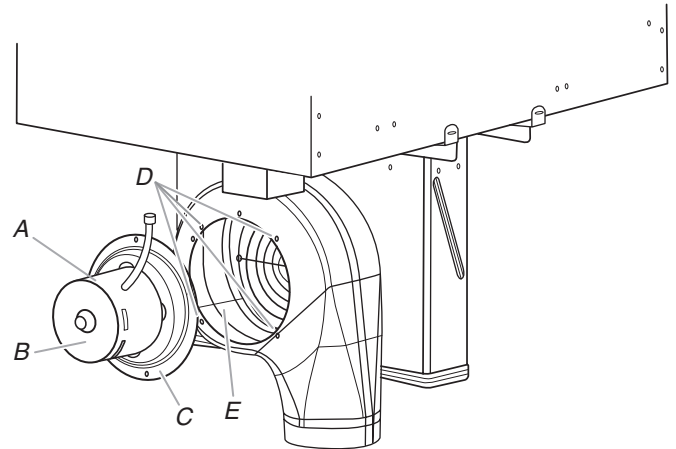


5. Retighten each nut with the $\frac{3}{8}$ " socket, extension and ratchet.
6. Reinstall the four plastic plugs.

To rotate blower motor:

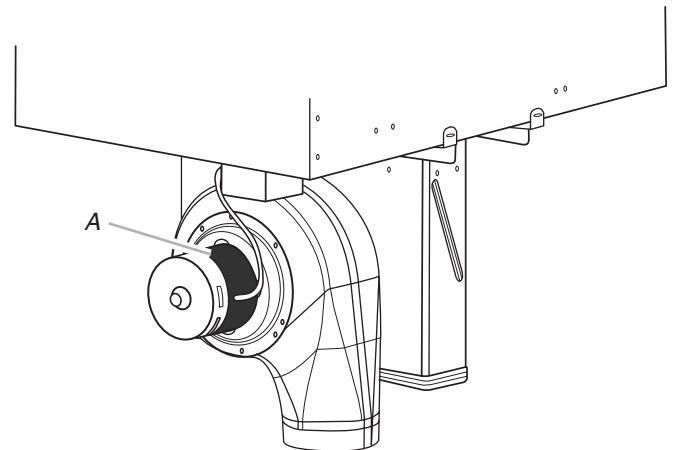
NOTE: The "Top" label location on the blower motor is at the 9 o'clock position.

1. Using a ratchet with a $\frac{3}{8}$ " socket and supporting the motor with one hand, remove the four machine nuts that attach the blower motor to the exhaust scroll.
2. Remove the blower motor and wheel assembly from the weld studs.



A. Top label
B. Blower motor
C. Motor mounting plate
D. Weld stud location
E. Blower wheel

3. When the motor mounting plate clears the threaded weld studs, rotate the assembly clockwise 90° and reinstall the four #10-32 machine nuts.
4. Verify the "Top" label is positioned as shown.



A. Top label

Install Cooktop

- Using 2 or more people, place cooktop right side up into the cutout.

NOTE: Make sure that the front edge of the cooktop is parallel to the front edge of the countertop. If repositioning is needed, lift entire cooktop up from the cutout to avoid scratching the countertop.

- For island or peninsula installations, go to “Rotate Blower - Optional” section.
- Connect blower exhaust scroll to ducting.
- Use vent clamps to secure the ducting to the blower exhaust scroll.
- Reinstall removable grease filter.
- Reinstall vent grille.

Make Electrical Connection

⚠ WARNING



Electrical Shock Hazard

Disconnect power before servicing.

Use 8 gauge copper wire.

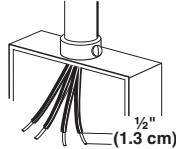
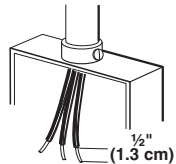
Electrically ground cooktop.

Failure to follow these instructions can result in death, fire, or electrical shock.

This cooktop is manufactured with the frame connected to the bare ground wire. Connect the cooktop cable to the junction box through the UL listed or CSA approved conduit connector.

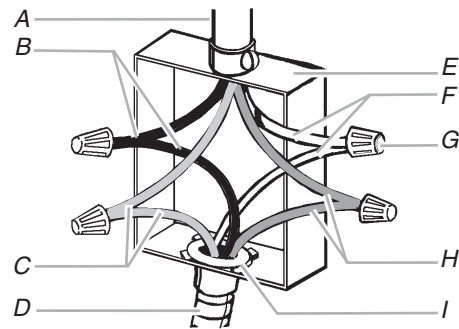
- Disconnect power.
- Remove junction box cover, if present.
- Connect the flexible cable conduit from the cooktop to the junction box using a UL listed or CSA approved conduit connector.
- Tighten screws on conduit connector if present.
- See “Electrical Connection Options Chart” to complete installation for your type of electrical connection.

Electrical Connection Options

If your home has:	And you will be connecting to:	Go to Section:
4-wire 	A fused disconnect or circuit breaker box	4-Wire Cable from Power Supply
3-wire 	A fused disconnect or circuit breaker box	3-Wire Cable from Power Supply

4-Wire Cable from Home Power Supply to 4-Wire Cable from Cooktop

IMPORTANT: Use the 4-wire cable from home power supply in the U.S. where local codes do not allow grounding through neutral, New Branch circuit installations (1996 NEC), mobile homes and recreational vehicles, new construction, and in Canada.

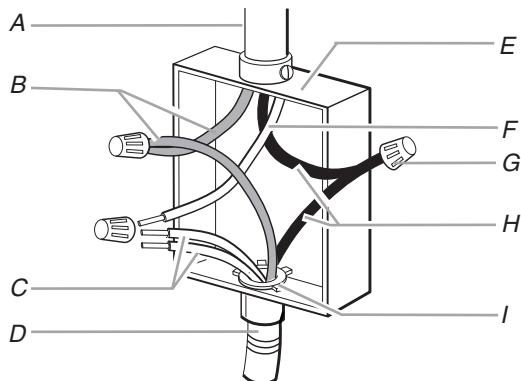


- | | |
|---------------------------------|--|
| A. Cable from home power supply | F. White wires |
| B. Black wires | G. UL listed wire connector |
| C. Bare ground wires | H. Red wires |
| D. 4-wire cable from cooktop | I. UL listed or CSA approved conduit connector |
| E. Junction box | |

- Connect the 2 black wires together using the UL listed wire connectors.
- Connect the 2 red wires together using the UL listed wire connectors.
- Connect the 2 white wires together using the UL listed wire connectors.
- Connect the green (or bare) ground wire from the cooktop cable to the green (or bare) ground wire (in the junction box) using the UL listed wire connectors.
- Install junction box cover.

3-Wire Cable from Home Power Supply to 4-Wire Cable from Cooktop - U.S. only

IMPORTANT: Use the 3-wire cable from power supply where local codes permit connecting the frame-ground conductor to the neutral (white) junction box wire.



- | | |
|---|--|
| A. Cable from home power supply | F. White wire |
| B. Red wires | G. UL listed wire connector |
| C. White wire and green (or bare) wire (from cooktop) | H. Black wires |
| D. 4-wire cable from cooktop | I. UL listed or CSA approved conduit connector |
| E. Junction box | |

1. Connect the 2 black wires together using the UL listed wire connectors.
2. Connect the 2 red wires together using the UL listed wire connectors.
3. Connect the green or bare and white cooktop cable wires to the white (neutral) wire in the junction box using the UL listed wire connectors.
4. Install junction box cover.

Complete Installation

1. Check that all parts are now installed. If there is an extra part, go back through the steps to see which step was skipped.
2. Check that you have all your tools.
3. Dispose of/recycle all packaging materials.
4. Use a mild solution of liquid household cleaner and warm water to clean cooktop before use. Dry thoroughly with a soft cloth. For more information, see the "Cooktop Care" section of the Use and Care Guide.
5. Read "Cooktop Use" in the cooktop Use and Care Guide.
6. Reconnect power.
7. Use the Flow Tester Card provided with your cooktop to check the airflow (see card for step-by-step instructions).

NOTE: If the cooktop does not work after turning on the power, check that a circuit breaker has not tripped or a household fuse has not blown. See "Troubleshooting" section in the Use and Care Guide for further information.

If you need Assistance or Service:

Please reference the "Assistance or Service" section of the Use and Care Guide or contact the dealer from whom you purchased your cooktop.

SÉCURITÉ DE LA TABLE DE CUISSON

Votre sécurité et celle des autres est très importante.

Nous donnons de nombreux messages de sécurité importants dans ce manuel et sur votre appareil ménager. Assurez-vous de toujours lire tous les messages de sécurité et de vous y conformer.



Voici le symbole d'alerte de sécurité.

Ce symbole d'alerte de sécurité vous signale les dangers potentiels de décès et de blessures graves à vous et à d'autres.

Tous les messages de sécurité suivront le symbole d'alerte de sécurité et le mot "DANGER" ou "AVERTISSEMENT". Ces mots signifient :

⚠ DANGER

Risque possible de décès ou de blessure grave si vous ne suivez pas immédiatement les instructions.

⚠ AVERTISSEMENT

Risque possible de décès ou de blessure grave si vous ne suivez pas les instructions.

Tous les messages de sécurité vous diront quel est le danger potentiel et vous disent comment réduire le risque de blessure et ce qui peut se produire en cas de non-respect des instructions.

EXIGENCES D'INSTALLATION

Outils et pièces

Rassembler les outils et pièces nécessaires avant d'entreprendre l'installation. Lire et suivre les instructions fournies avec chacun des outils de la liste ci-dessous.

Outils nécessaires

- Mètre-ruban
- Tournevis à lame plate
- Tournevis cruciforme
- Perceuse
- Niveau
- Rallonge pour clé à douille de 6"
- Marqueur ou crayon
- Pince
- Foret de 1/4"
- Scie sauteuse
- Clé à cliquet avec douille de 3/8"

Pièces fournies

- Grille de ventilation
- Pré-filtre

Pièces nécessaires

- Un collier de serrage (homologation UL ou CSA) pour alvéole défonçable de 7/8" (2,2 cm).
- Un connecteur de conduit (homologation UL ou CSA) pour conduit de taille commerciale (trade size) de 1/2" (1,3 cm) à armature métallique
- Connecteurs de fils (homologation UL)
- Conduit métallique
- Bouche de décharge murale
Clapet de bouche de décharge murale à surface arrondie de 6" (15,2 cm)
Commander la pièce numéro A406
Clapet de bouche de décharge murale à surface arrondie de 5" (12,7 cm)
Commander la pièce numéro A405
Clapet de bouche de décharge murale à surface arrondie de 3 1/4" x 10" (8,3 x 25,4 cm)
Commander la pièce numéro A403
- Pour commander, voir la section "Assistance ou service" du Guide d'utilisation et d'entretien.

- Bride de conduit

Consulter les codes locaux. Vérifier l'alimentation électrique existante. Voir la section "Spécifications électriques".

Il est recommandé de faire réaliser tous les raccordements électriques par un électricien qualifié agréé.

Exigences d'emplacement

IMPORTANT : Observer les dispositions de tous les codes et règlements en vigueur. Lors de l'installation de la table de cuisson, utiliser les dimensions minimales indiquées.

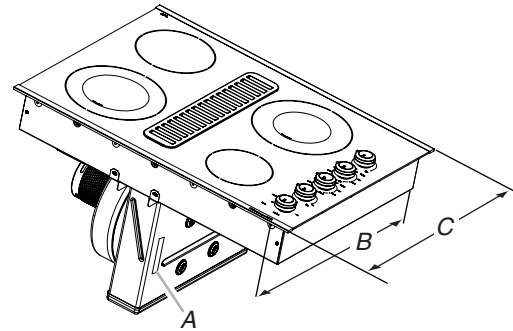
- Afin de supprimer le risque de brûlures ou d'incendie en se penchant au-dessus des unités de surface chauffées, le rangement en armoire au-dessus des unités de surface doit être évité. Si des placards de rangement sont envisagés, le risque peut être réduit par l'installation d'une hotte de cuisine dépassant le bas des placards d'au moins 5" (12,7 cm) horizontalement.

- Utiliser les dimensions d'ouverture du plan de travail qui sont indiquées dans ces Instructions d'installation. Les dimensions données sont les espacements minimaux et fournissent un dégagement de 0" (0 cm).
- Une source d'électricité avec liaison à la terre est nécessaire. Voir la section "Spécifications électriques".
- Si le placard comporte des tiroirs, ces tiroirs doivent être retirés et l'avant des tiroirs installé sur l'avant du placard.

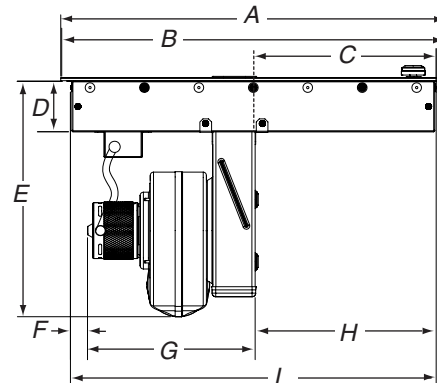
IMPORTANT : Il n'est pas possible d'installer un four encastré sous plan de travail sous ce produit.

Dimensions du produit

Table de cuisson de 30" (76,2 cm) - Pour les modèles standard et électriques

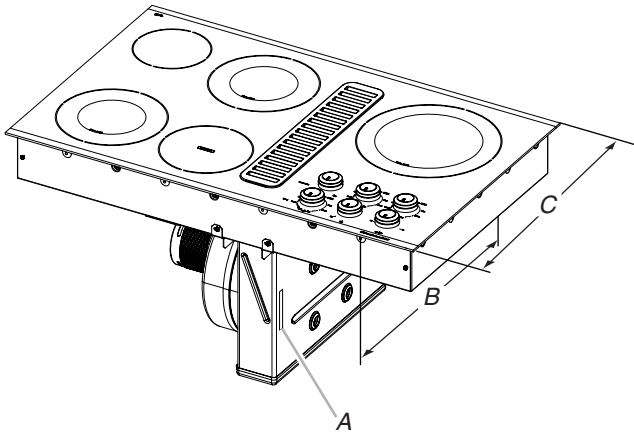


- A. Emplacement/dégagement du modèle/de la plaque signalétique
- B. 21" (53,4 cm) d'une tête de vis à l'autre
- C. 22" (52,3 cm) sans garniture en acier inoxydable ou 21 37/64" (54,8 cm) avec garniture en acier inoxydable

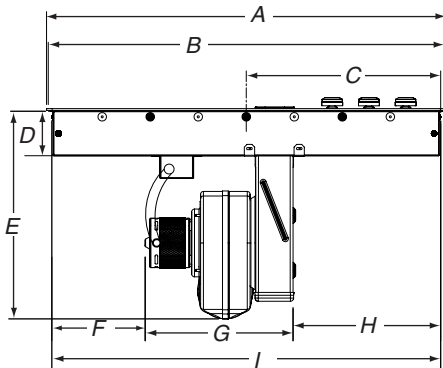


- A. 30 1/32" (76,3 cm) avec garniture en acier inoxydable
- B. 29 15/16" (76,1 cm) sans garniture en acier inoxydable
- C. 14 5/16" (36,4 cm)
- D. 3 31/32" (10,1 cm)
- E. 18 13/32" (46,8 cm)
- F. 1 11/32" (3,4 cm)
- G. 13 3/32" (33,3 cm)
- H. 14 3/16" (36,0 cm)
- I. 28 5/8" (72,7 cm) d'une tête de vis à l'autre

Table de cuisson de 36" (91,4 cm) - Pour les modèles standard et électriques

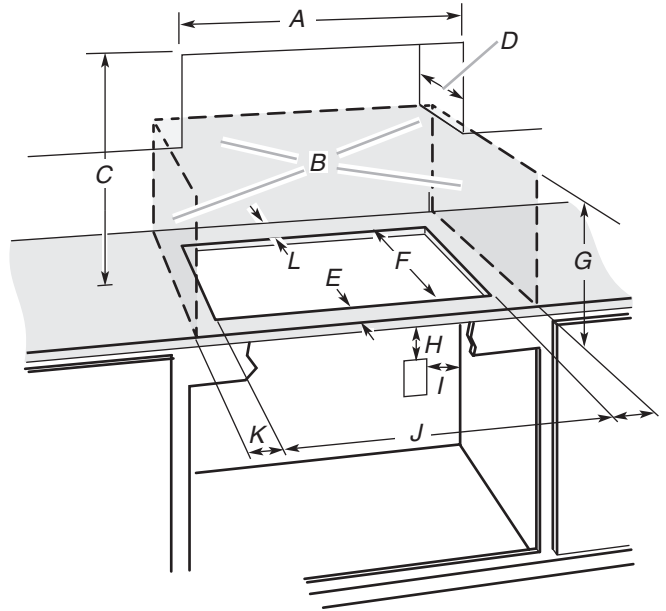


- A. Emplacement/dégagement du modèle/de la plaque signalétique
 B. 21" (53,4 cm) d'une tête de vis à l'autre
 C. 22" (52,3 cm) sans garniture en acier inoxydable ou 21³⁷/₆₄" (54,8 cm) avec garniture en acier inoxydable



- A. 35²⁹/₆₄" (90,1 cm) avec garniture en acier inoxydable
 B. 35²⁵/₆₄" (89,9 cm) sans garniture en acier inoxydable
 C. 17³¹/₆₄" (43,8 cm)
 D. 3²⁵/₃₂" (9,6 cm)
 E. 18¹³/₃₂" (46,8 cm)
 F. 8¹⁷/₆₄" (20,9 cm)
 G. 13³/₃₂" (33,3 cm)
 H. 13¹/₁₆" (33,2 cm)
 I. 34³¹/₆₄" (87,6 cm) d'une tête de vis à l'autre

Dimensions du placard

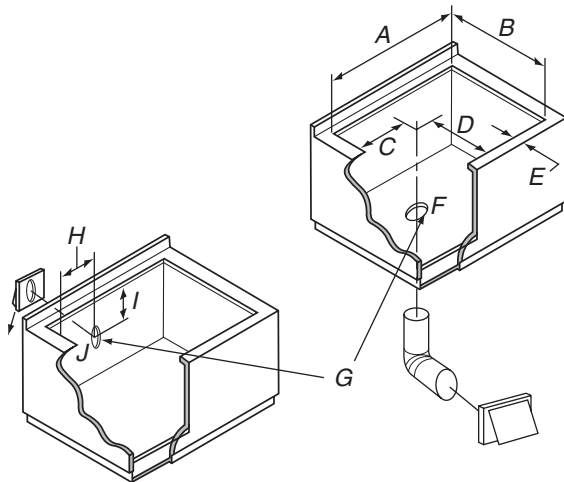


- A. 30" (76,2 cm) sur les modèles de 30" (76,2 cm)
 36" (91,4 cm) sur les modèles de 36" (91,4 cm)
 B. Zone de matière combustible au-dessus du plan de travail (espace délimité par des lignes pointillées ci-dessus)
 C. Distance minimale de séparation de 30" (76,2 cm) entre le dessus de la table de cuisson et le fond d'un placard métallique ou de bois non couvert (distance de séparation de 24" [61 cm] ou plus si le fond du placard de métal ou de bois est recouvert d'une plaque d'au moins 1/4" (0,6 cm) de matériau résistant aux flammes, lui-même recouvert d'une feuille métallique d'une épaisseur correspondant à un calibre de 28 au moins pour l'acier, 0,015" [0,04 cm] pour l'acier inoxydable, 0,024" [0,06 cm] pour l'aluminium ou 0,020" [0,05 cm] pour le cuivre)
 D. Profondeur recommandée pour les placards supérieurs : 13" (33 cm)
 E. 2" (5,1 cm)
 F. 21¹/₈" (73,4 cm)
 G. Distance de séparation minimale de 18" (45,7 cm) entre le placard supérieur et le plan de travail avec distance minimale de séparation horizontale pour la table de cuisson
 H. Boîtier de connexion ou prise électrique; 12" (30,5 cm) ou plus depuis le bas du plan de travail
 I. Boîtier de connexion ou prise électrique; 10" (25,4 cm) depuis le côté droit du placard
 J. 28⁷/₈" (73,4 cm) sur les modèles de 30" (76,2 cm)
 34⁹/₁₆" (87,8 cm) sur les modèles de 36" (91,4 cm)
 K. Distance de séparation minimale de 2¹/₂" (6,4 cm) par rapport à la surface de matériau combustible la plus proche, à gauche ou à droite au-dessus de la table de cuisson
 L. Distance de séparation minimale de 1¹/₂" (3,8 cm) ou plus entre la paroi arrière et le plan de travail

REMARQUES : Après le découpage de l'ouverture dans le plan de travail, il est possible que pour certaines configurations d'installation, il soit nécessaire d'entailler les parois latérales du placard inférieur pour permettre le passage de la base de la table de cuisson. Pour éviter cette modification, utiliser un placard inférieur dont la largeur des parois latérales est supérieure à celle de l'ouverture découpée.

- Un dégagement minimum de 6" (15,2 cm) entre le côté de la table de cuisson et la paroi latérale est recommandé pour une performance maximale de ventilation.
- Un dégagement minimum de 2" (5,1 cm) entre le moteur/ventilateur et le placard est recommandé pour que le refroidissement puisse s'effectuer correctement. Un dégagement de 6" (15,2 cm) est recommandé pour pouvoir accéder en cas de réparation.

Dimensions de l'ouverture à découper



- A. 28 $\frac{7}{8}$ " (73,4 cm) maximum sur les modèles de 30" (76,2 cm)
34 $\frac{9}{16}$ " (87,8 cm) maximum sur les modèles de 36" (91,4 cm)
- B. 21 $\frac{1}{8}$ " (53,7 cm) maximum sur les modèles de 30" (76,2 cm) et de 36" (91,4 cm)
- C. 8 $\frac{1}{32}$ " (21,8 cm) sur les modèles de 30" (76,2 cm)
15 $\frac{7}{16}$ " (39,2 cm) sur les modèles de 36" (91,4 cm)
- D. 6 $\frac{1}{64}$ " (16,0 cm) sur les modèles de 30" (76,2 cm) et 36" (91,4 cm)
- E. Dégagement minimal de 2" (5,1 cm) jusqu'au rebord avant de la table de cuisson
- F. Option d'évacuation par le plancher
- G. 6 $\frac{1}{8}$ " (15,6 cm) pour un système d'évacuation de 6" (15,2 cm)
5 $\frac{1}{8}$ " (13 cm) pour un système d'évacuation de 5" (12,7 cm)
- H. 8 $\frac{1}{32}$ " (21,8 cm) sur les modèles de 30" (76,2 cm)
15 $\frac{7}{16}$ " (39,2 cm) sur les modèles de 36" (91,4 cm)
- I. 16" (40,6 cm) sur les modèles de 30" (76,2 cm) et de 36" (91,4 cm)
- J. Option d'évacuation par le mur

Exigences concernant l'évacuation

IMPORTANT : L'évacuation de cette table de cuisson doit se faire à l'extérieur.

- Ne pas terminer le circuit d'évacuation dans un grenier ou dans un autre espace fermé.
- Utiliser un clapet de conduit.
- Le système doit décharger l'air à l'extérieur.
- Utiliser uniquement du conduit métallique de 6" (15,2 cm) ou un conduit d'évacuation rectangulaire de 3 $\frac{1}{4}$ " x 10" (8,3 x 25,4 cm), sauf dans les cas suivants : avec une cuisinière électrique, un conduit métallique rond de 5" (12,7 cm) peut être utilisé pour une évacuation directement depuis l'arrière de la cuisinière à travers le mur sur une longueur de 10 pi (3,0 m) au maximum.
- Avant d'effectuer des découpes, s'assurer qu'il y a un dégagement convenable entre le mur ou le plancher pour le conduit d'évacuation.
- On ne doit couper un poteau de colombage ou une solive que si c'est absolument nécessaire. Dans ce cas, on devra construire une structure de support appropriée.
- La taille du conduit doit être uniforme.

- Le circuit d'évacuation doit comporter un clapet. Si la bouche de décharge murale ou par le toit comporte un clapet, ne pas utiliser le clapet fourni avec la hotte de cuisinière.
- Au niveau de chaque jointure du circuit d'évacuation, assurer l'étanchéité avec les brides de serrage.
- À l'aide d'un produit de calfeutrage, assurer l'étanchéité autour de la bouche de décharge à l'extérieur (à travers le mur ou le toit).
- Déterminer quelle méthode d'évacuation est la plus appropriée.

Pour obtenir la meilleure performance :

- Utiliser un conduit de ventilation en acier galvanisé d'épaisseur minimum n° 26 ou en aluminium d'épaisseur minimum n° 25. Des raccords de mauvaise qualité peuvent réduire le flux d'air. On déconseille l'emploi d'un conduit en métal flexible.

REMARQUE : Les codes locaux pourraient exiger un matériau plus épais.

- Le conduit métallique peut être réduit à une épaisseur n° 30 pour l'acier galvanisé ou n° 26 pour l'aluminium si c'est permis par les codes locaux. Cette information est basée sur l'information dans la Section des Codes Résidentiels Internationaux M1601.1 (édition 2006).
- Ne pas installer 2 coudes ensemble.
- Ne pas utiliser plus de trois coudes à 90°.
- Si l'on utilise un coude, on doit le placer le plus loin possible de l'ouverture d'évacuation du moteur de la hotte de ventilation.
- Veiller à incorporer une section de conduit rectiligne d'au moins 18" (45,7 cm) entre deux raccords coulés adjacents.
- Des coudes trop rapprochés peuvent occasionner une turbulence excessive qui réduirait la circulation de l'air.
- Ne pas utiliser un coude de 5" (12,7 cm) dans un système de 6" (15,2 cm) ou 3 $\frac{1}{4}$ " x 10" (8,3 x 25,4 cm).
- Ne pas réduire le système à une longueur de 5" (12,7 cm) après avoir utilisé des raccords de 6" (15,2 cm) ou de 3 $\frac{1}{4}$ " x 10" (8,3 x 25,4 cm).
- Éviter le sertissage manuel. Ceux-ci peuvent restreindre le flux d'air.
- Utiliser un clapet de conduit pour que le rendement soit correct. Si une bouche de décharge murale ou de toit est utilisée, s'assurer que la taille de la bouche de décharge n'est pas réduite et qu'il a un clapet anti-reflux.
- Au niveau de chaque jointure du circuit d'évacuation, assurer l'étanchéité avec les brides de serrage.
- À l'aide d'un produit de calfeutrage, assurer l'étanchéité autour de la bouche de décharge à l'extérieur (à travers le mur ou le toit).

La longueur du système d'évacuation et le nombre de coudes doit être réduit au minimum pour une performance efficace.

La longueur maximale équivalente du circuit d'évacuation est de 60 pi (18,3 m). Pour les altitudes excédant 4 500 pi (1 272 m), réduire la longueur du système d'évacuation de 20 % pour une performance optimale.

Installations pour régions à climat froid

On devrait installer un clapet anti-reflux additionnel pour minimiser le reflux d'air froid, et incorporer un élément d'isolation thermique pour minimiser la conduction de chaleur par l'intermédiaire du conduit d'évacuation, de l'intérieur de la maison à l'extérieur. Le clapet anti-reflux doit être placé du côté air froid par rapport à l'élément d'isolation thermique.

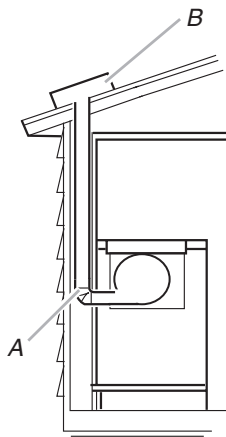
Air d'appoint

Le code du bâtiment local peut exiger l'emploi d'un système de renouvellement de l'air/introduction d'air d'appoint, lors de l'utilisation d'un système d'aspiration de débit supérieur à une valeur (pieds cubes par minute) spécifiée. Le débit spécifié en pieds cubes par minute varie d'une juridiction à l'autre. Consulter un professionnel des installations de chauffage/ventilation/climatisation au sujet des exigences spécifiques applicables dans la juridiction locale.

Méthodes d'évacuation

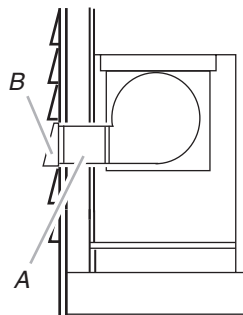
Les méthodes d'évacuation standard illustrées correspondent à une table de cuisson avec aspiration par le bas montée sur comptoir. L'évacuation de la table de cuisson peut se faire par le mur ou le plancher.

Option 1 - Décharge à travers le toit



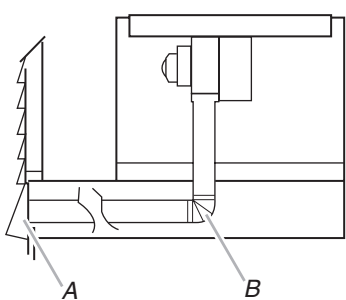
A. Bouche de décharge sur toit
B. Conduit de dia. 6" (15,2 cm) pour sortie à travers le toit

Option 2 - Décharge à travers le mur



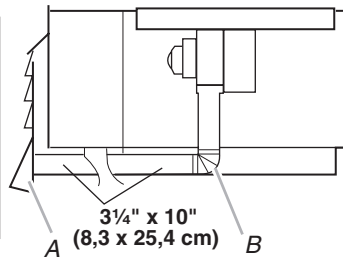
A. Conduit de dia. 6" (15,2 cm) pour sortie à travers le mur
B. Bouche de décharge murale

Option 3 - Évacuation entre les solives au plancher



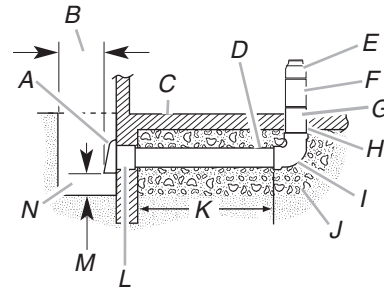
A. Bouche de décharge murale
B. Conduit de dia. 6" (15,2 cm) pour sortie à travers le mur

Option 4 - Évacuation derrière le garde-pieds de la caisse



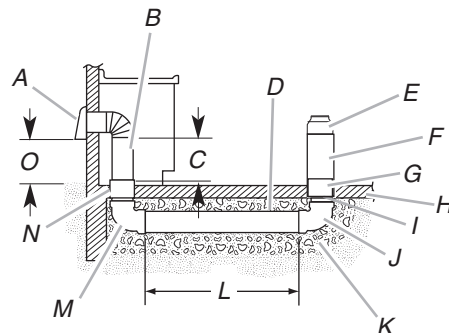
A. Bouche de décharge murale
B. Conduit de dia. 6" (15,2 cm) pour sortie à travers le mur

Installations dans dalle de béton - Évacuation à à travers un puits de fenêtre



A. Bouche de décharge murale
B. 12" (30,5 cm) minimum
C. Dalle de béton
D. Conduit PVC pour égout de dia. 6" (15,2 cm)
E. Raccord de transition de 5" à 6" (12,7 cm à 15,2 cm)
F. Conduit métallique de dia. 6" (15,2 cm)
G. Raccord PVC de dia. 6" (15,2 cm)
H. Conduit PVC pour égout de dia. 6" (15,2 cm)
I. Coude à 90° en PVC pour égout de dia. 6" (15,2 cm)
J. Gravier ou sable compacté tout autour du tuyau.
K. 42 pi (12,8 m) max.
L. Raccord PVC de dia. 6" (15,2 cm)
M. 6" (15,2 cm) minimum
N. Puits de fenêtre





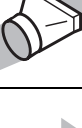

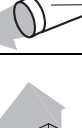
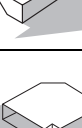

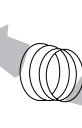

Installations dans dalle de béton - Évacuation à travers le mur



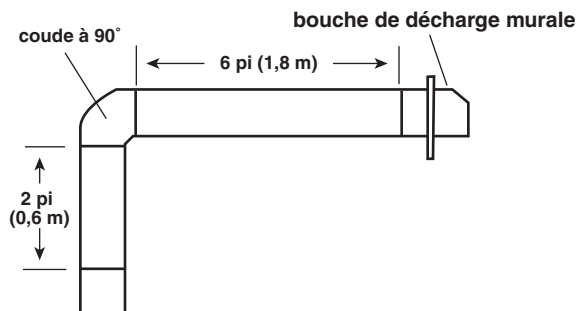
A. Bouche de décharge murale
B. Conduit métallique de dia. 6" (15,2 cm)
C. 16" (40,6 cm) maximum
D. Conduit PVC pour égout de dia. 6" (15,2 cm)
E. Raccord de transition de 5" à 6" (12,7 cm à 15,2 cm)
F. Conduit métallique de dia. 6" (15,2 cm)
G. Raccord PVC de dia. 6" (15,2 cm)
H. Dalle de béton
I. Conduit PVC pour égout de dia. 6" (15,2 cm)
J. Coude à 90° en PVC pour égout de dia. 6" (15,2 cm)
K. Gravier ou sable compacté tout autour du tuyau.
L. 30 pi (9,1 m) max.
M. Coude à 90° en PVC pour égout de dia. 6" (15,2 cm)
N. Raccord PVC de dia. 6" (15,2 cm)
O. 12" (30,5 cm) minimum

Calcul de la longueur effective du circuit d'évacuation

Pour calculer la longueur effective du circuit d'évacuation nécessaire, additionner les longueurs équivalentes (pieds/mètres) de tous les composants utilisés dans le système.

Composant	Conduit de diamètre de 6" (15,2 cm)	
Coude à 45°	2,5 pi (0,8 m)	
Coude à 90°	5 pi (1,5 m)	
Bouche de décharge murale de 6" (15,2 cm)	0 pi (0 m)	
Raccord de transition de 3/4" x 10" (8,3 cm x 25,4 cm) sur 6" (15,2 cm)	4,5 pi (1,4 m)	
Raccord de transition de 6" (15,2 cm) à 3/4" x 10" (8,3 cm x 25,4 cm)	1 pi (0,3 m)	
Coude de transition à 90° de 3/4" x 10" (8,3 cm x 25,4 cm) à 6" (15,2 cm)	9 pi (2,7 m)	
Raccord coudé à 90° de 6" (15,2 cm) à 3/4" x 10" (8,3 cm x 25,4 cm)	5 pi (1,5 m)	
Coude à 90° de 3/4" x 10" (8,3 cm x 25,4 cm)	5 pi (1,5 m)	
Coude plat de 3/4" x 10" (8,3 cm x 25,4 cm)	12 pi (3,7 m)	
Bouche de décharge murale 3/4" x 10" (8,3 cm x 25,4 cm)	0 pi (0,0 m)	
Raccord de transition de 5" à 6" (12,7 cm à 15,2 cm)	1 pi (0,3 m)	

Exemple de circuit d'évacuation



1 - coude à 90°	= 5 pi (1,5 m)
section droite de 8 pi (2,4 m)	= 8 pi (2,4 m)
1 - bouche de décharge murale	= 0 pi (0,0 m)
Longueur totale	= 13 pi (3,9 m)

REMARQUE : On déconseille l'emploi d'un conduit flexible. Un conduit flexible peut causer une rétro-pression et des turbulences de l'air, ce qui réduit considérablement la performance.

Déterminer le réglage du ventilateur de la cuisinière

Cette table de cuisson est équipée d'un ventilateur à deux débits. Cet appareil est expédié à la configuration la plus basse, qui convient à la plupart des installations. Si la longueur de conduit équivalente dépasse 30 pi (9,1 m), le ventilateur d'aspiration doit être converti au mode à forte aspiration. Ne pas convertir le ventilateur d'aspiration au mode à forte aspiration pour une courte durée ; cela entraînera un bruit excessif et une perte d'air conditionné. Convertir le ventilateur d'aspiration avant de l'installer sur le plan de travail, si nécessaire.

Conversion au mode à forte aspiration :

⚠ AVERTISSEMENT

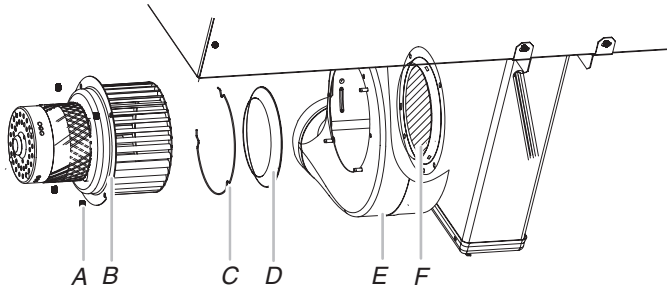
Risque du poids excessif

Utiliser deux ou plus de personnes pour déplacer et installer la table de cuisson.

Le non-respect de cette instruction peut causer une blessure au dos ou d'autre blessure.

1. À l'aide de 2 personnes ou plus, placer la table de cuisson sur le plancher avec le rebord avant et le plénum face vers le bas.
2. Retirer les 4 contre-écrous n°10-32 (A) qui fixent le moteur du ventilateur à la spirale d'échappement du ventilateur d'aspiration.
3. Retirer le moteur du ventilateur (B) de la spirale d'échappement du ventilateur d'aspiration (E).
4. Atteindre lentement l'ouverture de la spirale d'échappement du ventilateur d'aspiration et retirer le dispositif de retenue (C).
5. Retirer doucement l'anneau d'étanchéité (D).
6. Réinstaller le moteur du ventilateur sur les goujons de la spirale d'échappement du ventilateur d'aspiration.

7. Réassembler les 4 contre-écrous n°10-32 pour fixer le moteur du ventilateur à la spirale d'échappement du ventilateur d'aspiration.



- A. Contre-écrous n° 10-32
 B. Ensemble moteur-roue
 C. Dispositif de retenue
 D. Anneau d'étanchéité
 E. Spirale d'échappement
 F. Garde-roue du ventilateur d'aspiration

Spécifications électriques

⚠ AVERTISSEMENT



Risque de choc électrique

Déconnecter la source de courant électrique avant l'entretien.

Utiliser du fil en cuivre de calibre 8.

Relier la table de cuisson à la terre.

Le non-respect de ces instructions peut causer un décès, un incendie ou un choc électrique.

Si on utilise un conducteur distinct de liaison à la terre lorsque les codes le permettent, il est recommandé qu'un électricien qualifié vérifie que la liaison à la terre et le calibre du conducteur sont conformes aux codes locaux.

Vérifier avec un électricien qualifié si vous avez des doutes quant à la qualité de la liaison à la terre de la table de cuisson.

S'assurer que la connexion électrique et le calibre des fils sont appropriés et conformes au National Electrical Code, à la norme ANSI/NFPA 70 – dernière édition, ou à la norme CSA C22.1-94, au Code canadien de l'électricité, Partie 1 et C22.2 N° O-M91 – dernière édition, et à tous les codes et règlements locaux.

Pour obtenir un exemplaire des normes et codes ci-dessus, contacter :

National Fire Protection Association
 One Batterymarch Park
 Quincy, MA 02269

CSA International
 8501 East Pleasant Valley Road
 Cleveland, OH 44131-5575

Avant d'établir la connexion électrique :

Pour installer la table de cuisson correctement, il faut établir le type de raccords électriques que l'on utilisera et suivre les instructions indiquées ici.

- L'appareil doit être alimenté uniquement par un circuit monophasé en CA uniquement de 120/240 V et 60 Hz, à 4 fils ou 3 fils, sur un circuit séparé de 40 ampères (pour les modèles de 36" [91,4 cm] et les modèles de 30" [76,2 cm]). Si l'on utilise un circuit protégé par fusible, il doit l'être à chaque extrémité du circuit.
- La table de cuisson doit être connectée directement au boîtier de connexion par l'intermédiaire du conduit métallique flexible. Le câble blindé flexible sortant du boîtier de distribution (fusible ou disjoncteur) doit être raccordé directement au boîtier de connexion.
- Placer le boîtier de connexion pour laisser le plus de jeu possible entre celui-ci et la table de cuisson pour pouvoir déplacer la table de cuisson en cas de besoin de réparation à l'avenir.
- Un connecteur de conduit homologué UL ou CSA doit être fourni à chaque extrémité du câble d'alimentation électrique (à la table de cuisson et au boîtier de connexion).
- Si le domicile est équipé d'un câblage en aluminium, suivre les instructions suivantes :
 1. Raccorder une section de câble en cuivre massif aux épissures flexibles.
 2. Connecter le câblage en aluminium à la section ajoutée de câblage en cuivre en utilisant des connecteurs et/ou des outils spécialement conçus et homologués UL pour fixer le cuivre à l'aluminium.

Suivre la procédure recommandée par le fabricant de connecteurs électriques. La connexion aluminium/cuivre doit être conforme aux codes locaux et aux pratiques de câblage acceptées par l'industrie.

INSTRUCTIONS D'INSTALLATION

Préparation de la table de cuisson

Déterminer l'emplacement final de la table de cuisson.

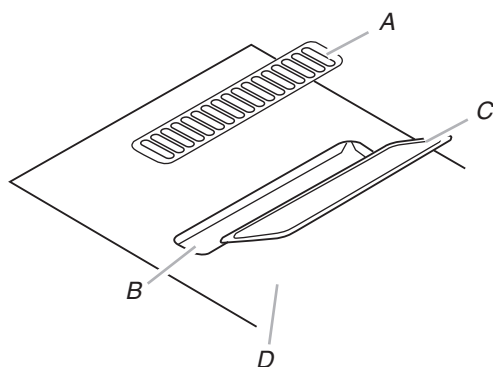
AVERTISSEMENT

Risque du poids excessif

Utiliser deux ou plus de personnes pour déplacer et installer la table de cuisson.

Le non-respect de cette instruction peut causer une blessure au dos ou d'autre blessure.

1. Ouvrir la boîte tel que stipulé sur l'emballage du produit.
2. Enlever les matériaux d'expédition et le ruban adhésif de la table de cuisson.
3. Retirer la grille de ventilation.



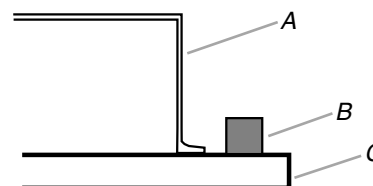
A. Grille de ventilation
B. Plénum
C. Filtre à graisse amovible
D. Surface en vitrocéramique

4. Retirer le filtre à graisse amovible en le soulevant.
5. À l'aide d'au moins 2 personnes, retirer la table de cuisson du carton.
6. Utiliser les capuchons en mousse aux extrémités de l'emballage comme surface de travail pour le plancher et le plan de travail.
7. À l'aide d'au moins deux personnes, placer la table de cuisson à l'envers sur les capuchons en mousse des extrémités.
8. S'assurer que les boutons sont placés dans les zones ouvertes des capuchons des extrémités.
9. Éviter de placer la table de cuisson avec la partie supérieure sur les boutons de commande.

Installation de la bande de mousse

1. Enlever la bande de mousse du sachet de documentation.
2. Retirer l'endos de la bande de mousse.
3. Appliquer le côté adhésif de la bande de mousse autour du fond de la table de cuisson, en affleurement avec le rebord.

REMARQUE : La bande de mousse protège la face inférieure du verre de la table de cuisson de tout résidu et permet à la table de cuisson de reposer à plat sur des plans de travail irréguliers.

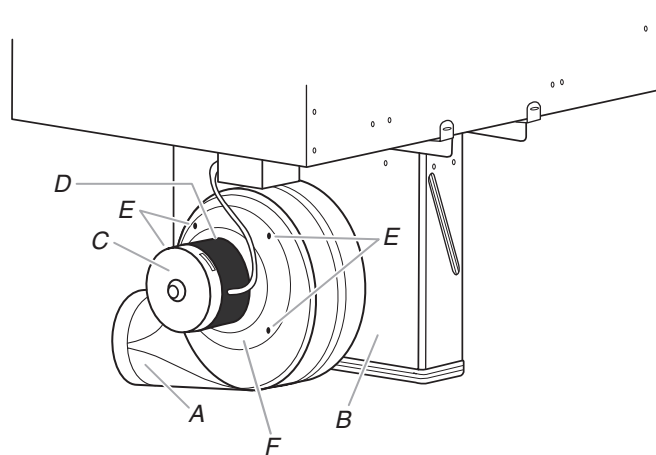


A. Base de la table de cuisson
B. Bande de mousse
C. Verre

Rotation du ventilateur - Facultative.

IMPORTANT : Les étapes supplémentaires suivantes doivent être exécutées si le produit est installé dans une configuration d'ébénisterie en péninsule ou en îlot.

Au déballage, la spirale d'échappement du ventilateur est orientée vers l'arrière du placard, pour une évacuation à travers une paroi extérieure.

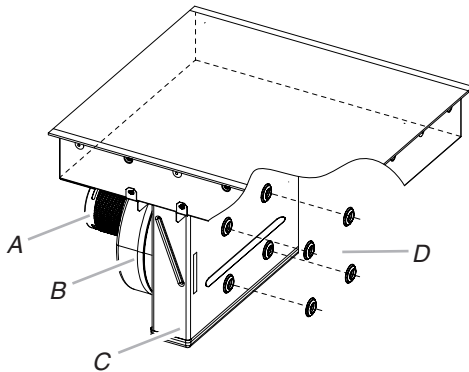


A. Volute d'évacuation du ventilateur
B. Plénum
C. Moteur du ventilateur
D. Étiquette indiquant le haut (Top)
E. Écrous mécaniques 10-32 (qté 4)
F. Platine de montage du moteur

Pour tourner le ventilateur :

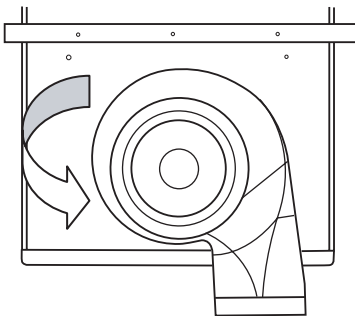
1. Repérer les 4 bouchons en plastique dans la dérivation de la chambre de distribution.
2. Les enlever à l'aide d'une pince.

IMPORTANT : Ne pas jeter les bouchons en plastique. Les bouchons en plastique doivent être réinstallés une fois la spirale d'échappement du ventilateur tournée.



A. Moteur du ventilateur
B. Spirale d'échappement
C. Plénum
D. Bouchons en plastique (4)

3. Insérer la clé à douille de 3/8" et la rallonge dans le trou et dévisser l'écrou d'un demi-tour à l'aide de la poignée à cliquet. Répéter cette opération pour chacun des quatre écrous.
4. Une fois les écrous desserrés, la spirale d'échappement du ventilateur s'oriente sans effort vers le bas.

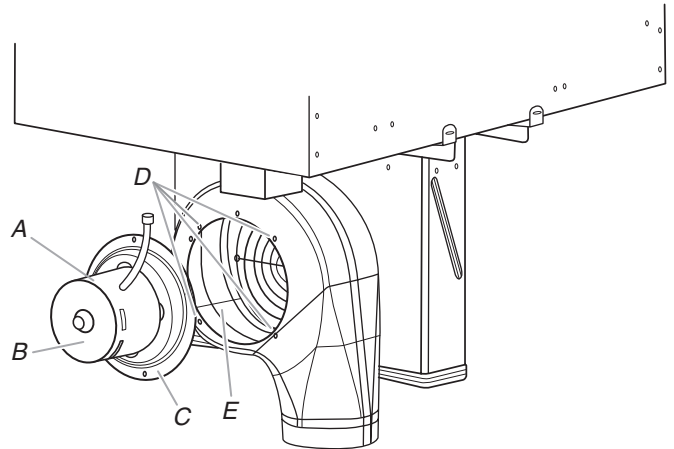


5. Resserrer chaque écrou à l'aide de la clé à cliquet à douille de 3/8".
6. Réinstaller les 4 bouchons d'obturation en plastique.

Pour tourner le moteur du ventilateur :

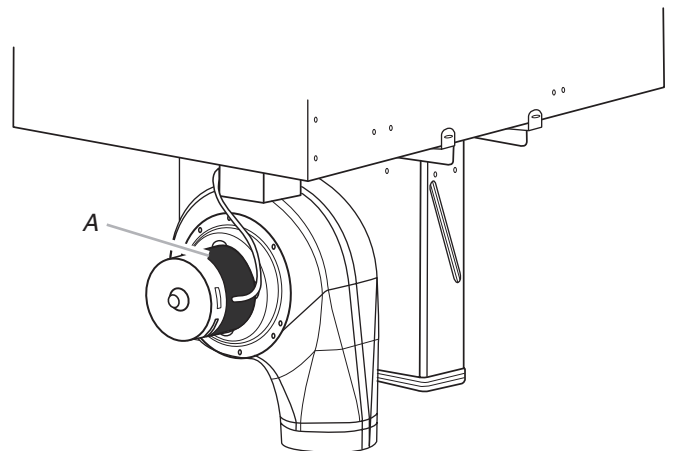
REMARQUE : L'étiquette indiquant le dessus "top" du moteur de ventilateur se trouve à la position de 9 heures.

1. Tout en soutenant le moteur d'une main, utiliser une clé à cliquet équipée d'une douille de 3/8" pour retirer les quatre écrous à métaux fixant le moteur de ventilateur à la volute d'évacuation.
2. Dégager l'ensemble moteur-roue des goujons soudés.



A. Étiquette indiquant le haut (Top)
B. Moteur du ventilateur
C. Platine de montage du moteur
D. Emplacement des goujons soudés
E. Roue du ventilateur

3. Lorsque la platine de montage du moteur est dégagée des goujons soudés filetés, faire pivoter l'assemblage dans le sens horaire de 90° et réinstaller les quatre boulons usinés n° 10-32.
4. Vérifier que l'étiquette "Top" (dessus) est placée comme illustré.



A. Étiquette indiquant le haut (Top)

Installation de la table de cuisson

1. À l'aide d'au moins 2 personnes, placer la table de cuisson dans l'ouverture en orientant la bonne surface vers le haut.
REMARQUE : S'assurer que le bord avant de la table de cuisson est parallèle au bord avant du plan de travail. S'il est nécessaire de repositionner la table de cuisson, la soulever entièrement de l'ouverture pour éviter de rayer le plan de travail.
2. Pour des installations en îlot ou en péninsule, passer à la section "Rotation du ventilateur - Facultative".
3. Connecter la volute d'évacuation du ventilateur aux conduits.
4. Utiliser des brides de conduit pour fixer les conduits à la volute d'évacuation du ventilateur.
5. Réinstaller le filtre à graisse amovible.
6. Réinstaller la grille de ventilation.

Raccordement électrique

⚠ AVERTISSEMENT



Risque de choc électrique

Déconnecter la source de courant électrique avant l'entretien.

Utiliser du fil en cuivre de calibre 8.

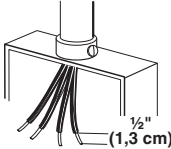
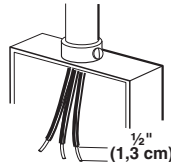
Relier la table de cuisson à la terre.

Le non-respect de ces instructions peut causer un décès, un incendie ou un choc électrique.

Un conducteur nu de liaison à la terre est connecté au châssis de la table de cuisson lors de la fabrication. Raccorder le câble de la table de cuisson au boîtier de connexion à l'aide du connecteur de conduit homologué UL ou CSA.

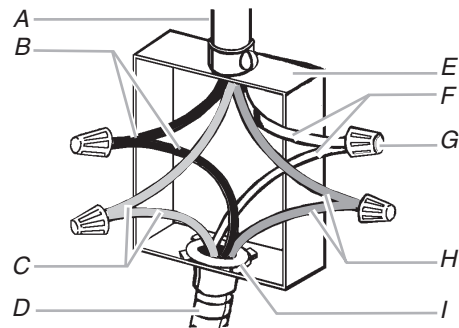
1. Déconnecter la source de courant électrique.
2. Enlever le couvercle du boîtier de connexion, le cas échéant.
3. Avec un connecteur de conduit (homologation UL ou CSA), connecter le conduit de câble flexible de la table de cuisson au boîtier de connexion.
4. Serrer les vis du connecteur de conduit, le cas échéant.
5. Voir le "Tableau des options de raccordement électrique" pour terminer l'installation correspondant à votre type de raccordement électrique.

Options de raccordement électrique

Câblage de la maison :	Point de distribution :	Voir la section suivante :
4 conducteurs	Boîte de disjoncteur ou coupe-circuit avec fusible	Câble à 4 conducteurs depuis le point de distribution
		
3 conducteurs	Boîte de disjoncteur ou coupe-circuit avec fusible	Câble à 3 conducteurs depuis le point de distribution
		

Câble à 4 conducteurs depuis le point de distribution du domicile jusqu'au câble à 4 conducteurs de la table de cuisson

IMPORTANT : Utiliser le câble à 4 conducteurs provenant du point de distribution du domicile aux États-Unis lorsque les codes ne permettent pas la mise à la terre par l'intermédiaire du conducteur neutre, en cas de nouvelle installation avec alimentation par un circuit secondaire (1996 NEC), dans les résidences mobiles et les véhicules récréatifs, dans les nouvelles constructions et au Canada.

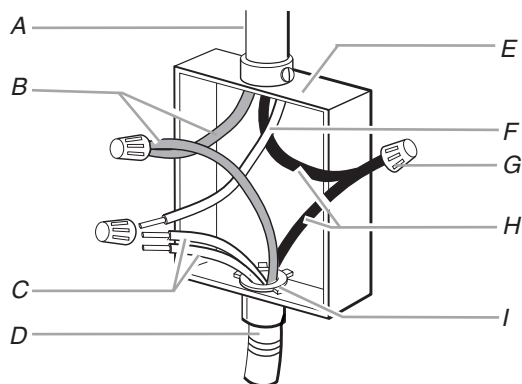


- | | |
|---|---|
| A. Câble d'alimentation du domicile | E. Boîtier de connexion |
| B. Conducteurs noirs | F. Conducteurs blancs |
| C. Conducteurs nus de liaison à la terre | G. Connecteur de fils (homologation UL) |
| D. Câble à 4 conducteurs depuis la table de cuisson | H. Conducteurs rouges |
| | I. Connecteur de conduit (homologation UL ou CSA) |

1. Connecter ensemble les 2 conducteurs noirs avec un connecteur de fils (homologation UL).
2. Connecter ensemble les 2 conducteurs rouges avec un connecteur de fils (homologation UL).
3. Connecter ensemble les 2 conducteurs blancs avec un connecteur de fils (homologation UL).
4. Connecter le conducteur vert (ou nu) de liaison à la terre du câble de la table de cuisson au conducteur vert (ou nu) de liaison à la terre dans le boîtier de connexion - utiliser un connecteur de fils (homologation UL).
5. Réinstaller le couvercle du boîtier de connexion.

Câble à 3 conducteurs depuis le point de distribution du domicile jusqu'au câble à 4 conducteurs de la table de cuisson - É.-U. seulement

IMPORTANT : Utiliser le câble à 3 conducteurs depuis le point de distribution lorsque le code local en vigueur permet le raccordement entre le conducteur de liaison à la terre du châssis et le conducteur neutre (blanc) dans le boîtier de connexion.



- | | |
|--|---|
| A. Câble d'alimentation | E. Boîtier de connexion |
| B. Conducteurs rouges | F. Conducteur blanc |
| C. Conducteur blanc et nu ou vert de liaison à la terre (depuis la table de cuisson) | G. Connecteur de fils (homologation UL) |
| D. Câble à 4 conducteurs depuis la table de cuisson | H. Conducteurs noirs |
| | I. Connecteur de conduit (homologation UL ou CSA) |

1. Connecter ensemble les 2 conducteurs noirs avec un connecteur de fils (homologation UL).
2. Connecter ensemble les 2 conducteurs rouges avec un connecteur de fils (homologation UL).
3. Connecter le conducteur vert ou nu et le conducteur blanc de la table de cuisson au conducteur blanc (neutre) dans le boîtier de connexion avec un connecteur de fil (homologation UL).
4. Réinstaller le couvercle du boîtier de connexion.

Achever l'installation

1. Vérifier que toutes les pièces sont maintenant installées. S'il reste une pièce, passer en revue les différentes étapes pour découvrir laquelle aurait été oubliée.
2. Vérifier la présence de tous les outils.
3. Jeter/recycler tous les matériaux d'emballage.
4. Utiliser une solution d'eau tiède et de nettoyant ménager liquide doux pour nettoyer la table de cuisson avant utilisation. Sécher parfaitement avec un linge doux. Pour plus de renseignements, voir la section "Entretien de la table de cuisson" du Guide d'utilisation et d'entretien.
5. Lire "Utilisation de la table de cuisson" dans le Guide d'utilisation et d'entretien de la table de cuisson.
6. Reconnecter la source de courant électrique.
7. Utiliser la carte de test du flux d'air fournie avec la table de cuisson pour vérifier le flux d'air (voir la carte pour des instructions étape par étape).

REMARQUE : Si la table de cuisson ne fonctionne pas une fois l'alimentation branchée, vérifier que le disjoncteur n'est pas déclenché ou que les fusibles ne sont pas grillés. Voir la section "Dépannage" dans le Guide d'utilisation et d'entretien pour plus de renseignements.

Si vous avez besoin d'assistance ou de service :

Consulter la section "Assistance ou service" du Guide d'utilisation et d'entretien ou contacter le marchand chez qui vous avez acheté votre table de cuisson.

W10298568A

© 2010.
All rights reserved.
Tous droits réservés.

2/10
Printed in U.S.A.
Imprimé aux É.-U.