

INSTALLATION INSTRUCTIONS

27 " (68.6 CM) AND 30" (76.2 CM) ELECTRIC SINGLE AND DOUBLE BUILT-IN OVEN

INSTRUCTIONS D'INSTALLATION

FOUR ÉLECTRIQUE ENCASTRÉ

27" (68,6 CM) ET 30" (76,2 CM) - SIMPLE ET DOUBLE

Table of Contents/Table des matières

BUILT-IN OVEN SAFETY 1 INSTALLATION REQUIREMENTS2 Tools and Parts2 Location Requirements2 Electrical Requirements5 INSTALLATION INSTRUCTIONS6 Prepare Built-In Oven.....6 Remove Oven Door.....6 Positioning Oven Feet for Multiple Cabinet Cutout Heights7 Make Electrical Connection10 Install Oven.....12 Complete Installation14	SÉCURITÉ DU FOUR ENCASTRÉ17 EXIGENCES D'INSTALLATION17 Outillage et pièces17 Exigences d'emplacement18 Spécifications électriques20 INSTRUCTIONS D'INSTALLATION22 Préparation du four encastré22 Dépose de la porte du four22 Positionnement des pieds du four pour des ouvertures d'encastrement de hauteur différente.....23 Raccordement électrique.....26 Installation du four28 Achever l'installation30
--	--

BUILT-IN OVEN SAFETY

Your safety and the safety of others are very important.

We have provided many important safety messages in this manual and on your appliance. Always read and obey all safety messages.



This is the safety alert symbol.

This symbol alerts you to potential hazards that can kill or hurt you and others.

All safety messages will follow the safety alert symbol and either the word "DANGER" or "WARNING."

These words mean:

⚠ DANGER

You can be killed or seriously injured if you don't immediately follow instructions.

⚠ WARNING

You can be killed or seriously injured if you don't follow instructions.

All safety messages will tell you what the potential hazard is, tell you how to reduce the chance of injury, and tell you what can happen if the instructions are not followed.

IMPORTANT:

Save for local electrical inspector's use.

IMPORTANT :

À conserver pour consultation par l'inspecteur local des installations électriques.

INSTALLATION REQUIREMENTS

Tools and Parts

Gather the required tools and parts before starting installation. Read and follow the instructions provided with any tools listed here.

Tools needed

- Phillips screwdriver
- Measuring tape
- Hand or electric drill (for wall cabinet installations)
- 1" (2.5 cm) drill bit (for wall cabinet installations)
- Level
- Flat-blade screwdriver

Parts needed

- UL listed or CSA approved conduit connector
- UL listed wire connectors

Parts supplied

- #8-14 x 1" screws - single ovens (2), double ovens (4)
- Two #8-18 x 3/8" screws - bottom vent
- Four #8-18 x 1/4" screws - bottom vent trim
- Four #8-18 x 3/8" screws - double oven feet
- Bottom vent
- Bottom vent trim
- Two feet - double oven
- Two front feet - double oven
- Four grommets - single ovens (2), double ovens (4)*
- Foam strip - single oven**

Check local codes. Check existing electrical supply. See "Electrical Requirements."

It is recommended that all electrical connections be made by a licensed, qualified electrical installer.

*Grommets not included with models KEBK171B, KEBK101B, KEBK276B, KEBK206B, KEBS179B, KEBS109B, KEBS277B, KEBS279B, KEBS207B, KEBS209B, KEBU109B and KEBU209B.

**Foam strip not included with double oven.

Location Requirements

IMPORTANT: Observe all governing codes and ordinances.

- Cabinet opening dimensions that are shown must be used. Given dimensions provide minimum clearance with oven.
- Recessed installation area must provide complete enclosure around the recessed portion of the oven.
- Grounded electrical supply is required. See "Electrical Requirements" section.
- Electrical supply junction box should be located 3" (7.6 cm) maximum below the support surface when the oven is installed in a wall cabinet. A 1" (2.5 cm) minimum diameter hole should have been drilled in the right rear or left rear corner of the support surface to pass the appliance cable through to the junction box.

NOTE: For undercounter installation, it is recommended that the junction box be located in the adjacent right or left cabinet. If you are installing the junction box on rear wall behind oven, it is recommended that the junction box be recessed and located in the upper center of the cabinet.

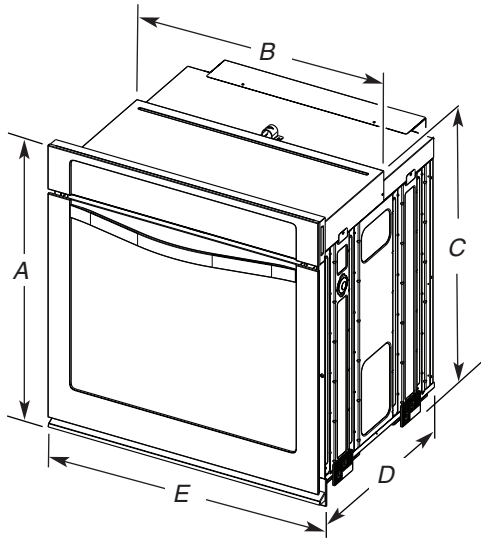
- Oven support surface must be solid, level and flush with bottom of cabinet cutout.
- Floor must be able to support a single oven weight of 129 lbs (59 kg) for 27" (68.6 cm) models or 154 lbs (70 kg) for 30" models (76.2 cm).
- Floor must be able to support a double oven weight of 251 lbs (114 kg) for 27" (68.6 cm) models or 288 lbs (131 kg) for 30" (76.2 cm) models.

IMPORTANT: To avoid damage to your cabinets, check with your builder or cabinet supplier to make sure that the materials used will not discolor, delaminate or sustain other damage. This oven has been designed in accordance with the requirements of UL and CSA International and complies with the maximum allowable wood cabinet temperatures of 194°F (90°C).

Undercounter Installation (with cooktop installed above):

Ovens approved for this type of installation have an approval label located on the top of the oven. Refer to undercounter installation instructions for cutout dimensions and approved oven cooktop combinations (separate sheet).

Product Dimensions - Single Ovens



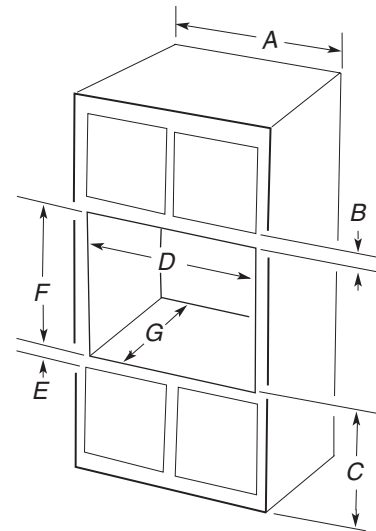
27" (68.6 cm) models

- A. 28³/₄" (72.8 cm) max. overall height
- B. 25⁷/₁₆" (64.6 cm) max. recessed width
- C. 26³/₄" (67.9 cm) recessed height
- D. 23¹/₄" (59.1 cm) max. recessed depth
- E. 27" (68.6 cm) overall width

30" (76.2 cm) models

- A. 28³/₄" (72.8 cm) max. overall height
- B. 28¹/₂" (72.4 cm) max. recessed width
- C. 26³/₄" (67.9 cm) recessed height
- D. 23¹/₄" (59.1 cm) max. recessed depth
- E. 30" (76.2 cm) overall width

Single Ovens Installed in Cabinet



27" (68.6 cm) models

- A. 27" (68.6 cm) min. cabinet width
- B. 1" (2.5 cm) top of cutout to bottom of upper cabinet door
- C. 32" (81.3 cm) bottom of cutout to floor
- D. 25¹/₂" (64.8 cm) cutout width
- E. 1¹/₂" (3.8 cm) min. bottom of cutout to top of cabinet door
- F. 28" (71.2 cm)* recommended cutout height
- G. 24" (60.7 cm) cutout depth

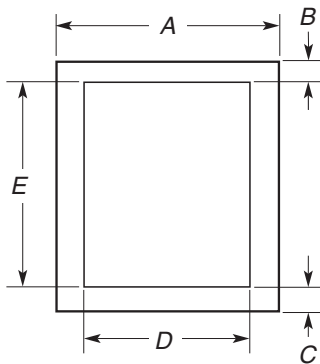
30" (76.2 cm) models

- A. 30" (76.2 cm) min. cabinet width
- B. 1" (2.5 cm) top of cutout to bottom of upper cabinet door
- C. 32" (81.3 cm) bottom of cutout to floor
- D. 28¹/₂" (72.4 cm) cutout width
- E. 1¹/₂" (3.8 cm) min. bottom of cutout to top of cabinet door
- F. 28" (71.2 cm)* recommended cutout height
- G. 24" (60.7 cm) cutout depth

NOTE: The cutout height can be between 26¹⁵/₁₆" (68.4 cm) and 29⁷/₁₆" (74.8 cm) for single ovens.

Cabinet Dimensions - Single Ovens

Single Oven Undercounter (without cooktop installed above)



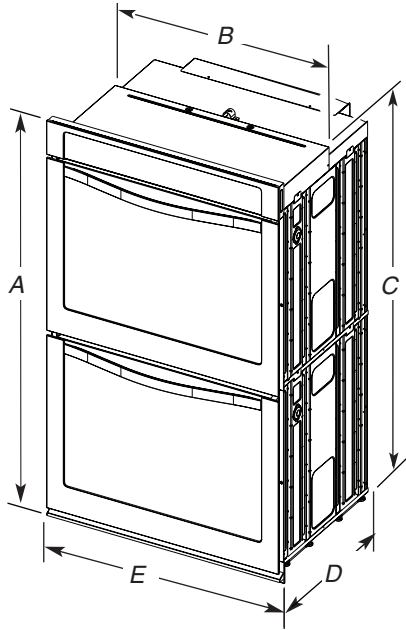
27" (68.6 cm) models

- A. 27" (68.6 cm) min. cabinet width
- B. 1¹/₂" (3.8 cm) min. top of cutout to underside of countertop
- C. 5¹/₄" (13.3 cm) bottom of cutout to floor
- D. 25¹/₂" (64.8 cm) cutout width
- E. 28" (71.2 cm) min. cutout height

30" (76.2 cm) models

- A. 30" (76.2 cm) min. cabinet width
- B. 1¹/₂" (3.8 cm) min. top of cutout to underside of countertop
- C. 5¹/₄" (13.3 cm) bottom of cutout to floor
- D. 28¹/₂" (72.4 cm) cutout width
- E. 28" (71.2 cm) min. cutout height

Product Dimensions - Double Ovens



27" (68.6 cm) models

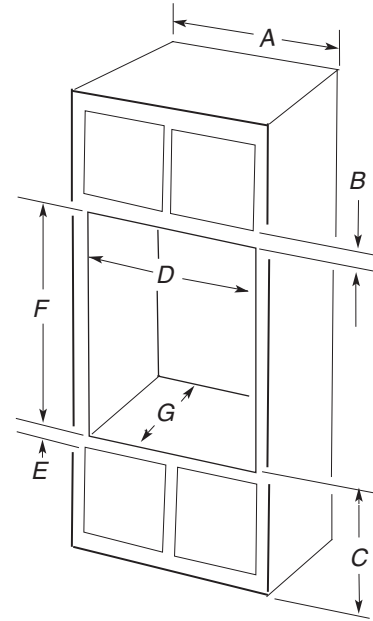
- A. 51³/₁₆" (130.0 cm) max. overall height
- B. 25⁷/₁₆" (64.6 cm) max. recessed width
- C. 48¹³/₁₆" (124.0 cm) recessed height
- D. 23¹/₄" (59.1 cm) max. recessed depth
- E. 27" (68.6 cm) overall width

30" (76.2 cm) models

- A. 51³/₁₆" (130.0 cm) max. overall height
- B. 28¹/₂" (72.4 cm) max. recessed width
- C. 48¹³/₁₆" (124.0 cm) recessed height
- D. 23¹/₄" (59.1 cm) max. recessed depth
- E. 30" (76.2 cm) overall width

Cabinet Dimensions - Double Ovens

Double Ovens Installed in Cabinet



27" (68.6 cm) models

- A. 27" (68.6 cm) min. cabinet width
- B. 1" (2.5 cm) top of cutout to bottom of upper cabinet door
- C. 14³/₄" (37.5 cm) bottom of cutout to floor is recommended. 4"-14³/₄" (10.2-37.5 cm) bottom of cutout to floor is acceptable.
- D. 25¹/₂" (64.8 cm) cutout width
- E. 1¹/₂" (3.8 cm) min. bottom of cutout to top of cabinet door
- F. 50¹/₄" (127.6 cm)* recommended cutout height
- G. 24" (60.7 cm) cutout depth

30" (76.2 cm) models

- A. 30" (76.2 cm) min. cabinet width
- B. 1" (2.5 cm) top of cutout to bottom of upper cabinet door
- C. 14³/₄" (37.5 cm) bottom of cutout to floor is recommended. 4"-14³/₄" (10.2-37.5 cm) bottom of cutout to floor is acceptable.
- D. 28¹/₂" (72.4 cm) cutout width
- E. 1¹/₂" (3.8 cm) min. bottom of cutout to top of cabinet door
- F. 50¹/₄" (127.6 cm)* recommended cutout height
- G. 24" (60.7 cm) cutout depth

NOTE: The cutout height can be between 48⁷/₈" (124.1 cm) and 52³/₁₆" (132.6 cm) for double ovens.

Electrical Requirements

If codes permit and a separate ground wire is used, it is recommended that a qualified electrical installer determine that the ground path and the wire gauge are in accordance with local codes.

Check with a qualified electrical installer if you are not sure the oven is properly grounded.

This oven must be connected to a grounded metal, permanent wiring system.

Be sure that the electrical connection and wire size are adequate and in conformance with the National Electrical Code, ANSI/NFPA 70-latest edition or CSA Standards C22.1-94, Canadian Electrical Code, Part 1 and C22.2 No. O-M91-latest edition, and all local codes and ordinances.

A copy of the above code standards can be obtained from:

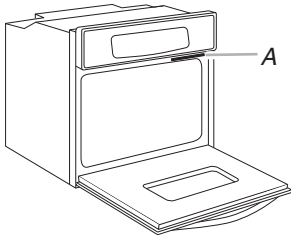
National Fire Protection Association
1 Batterymarch Park
Quincy, MA 02169-7471

CSA International
8501 East Pleasant Valley Road
Cleveland, OH 44131-5575

Electrical Connection

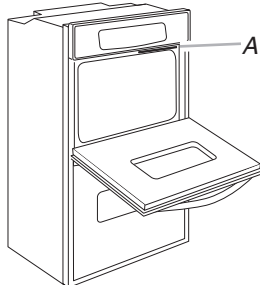
To properly install your oven, you must determine the type of electrical connection you will be using and follow the instructions provided for it here.

- Oven must be connected to the proper electrical voltage and frequency as specified on the model/serial number rating plate. The model/serial number rating plate is located under the control panel on single ovens and under the control panel on the upper oven cavity on double ovens. See the following illustrations.



Single Oven

A. Model/serial number plate



Double Oven

A. Model/serial number plate

- Models rated from 7.3 to 9 kW at 240 volts (5.4 to 7.4 kW at 208 volts) require a separate 40-amp circuit. Models rated at 4.8 kW and below at 240 volts (3.6 kW and below at 208 volts) require a separate 20-amp circuit.
- A circuit breaker is recommended.
- Connect directly to the circuit breaker box (or fused disconnect) through flexible, armored or nonmetallic sheathed, copper cable (with grounding wire). See “Make Electrical Connection” section.
- Flexible conduit from the oven should be connected directly to the junction box.

- Fuse both sides of the line.
- Do not cut the conduit. The length of conduit provided is for serviceability of the oven.
- A UL listed or CSA approved conduit connector must be provided.
- If the house has aluminum wiring, follow the procedure below:
 1. Connect a section of solid copper wire to the ends of the flexible conduit leads.
 2. Connect the aluminum wiring to the added section of copper wire using special connectors and/or tools designed and UL listed for joining copper to aluminum.

Follow the electrical connector manufacturer's recommended procedure. Aluminum/copper connection must conform with local codes and industry accepted wiring practices.

For power requirements for models WOS51EC7A, WOS51EC0A, WOD51EC7A, WOD51EC0A, WOS92EC7A, WOS92EC0A, WOD93EC7A, WOD93EC0A, MEW7527A, MEW7530A, MEW7627A, MEW7630A, MEW9537A, MEW9627A, MEW9530A and MEW9630A, refer to the following table.

Voltage	Single Thermal	Single Convect	Double Thermal	Double Convect
240 VAC	3690 W	3720 W	7370 W	7400 W
208 VAC	2790 W	2820 W	5580 W	5610 W
240 VAC	15.4 A	15.5 A	30.7 A	30.8 A
208 VAC	13.4 A	13.6 A	26.8 A	27.0 A

For power requirements for models KEBK171B, KEBK101B, KEBK276B, KEBK206B, KEBS179B, KEBS109B, KEBS277B, KEBS279B, KEBS207B and KEBS209B, refer to the following table.

Voltage	Single Thermal	Single Convect	Double Thermal	Double Convect
240 VAC	4090 W	4120 W	8170 W	8200 W
208 VAC	3099 W	3122 W	6190 W	6212 W
240 VAC	17.1 A	17.2 A	34.1 A	34.2 A
208 VAC	14.9 A	15.0 A	29.8 A	29.9 A

For power requirements for models KEBU109B and KEBU209B, refer to the following table.

Voltage	Single Convect	Double Convect
240 VAC	5420 W	9500 W
208 VAC	4106 W	7197 W
240 VAC	22.6 A	39.6 A
208 VAC	19.8 A	34.6 A

INSTALLATION INSTRUCTIONS

Prepare Built-In Oven

1. Decide on the final location for the oven. Avoid drilling or cutting into house wiring during installation.

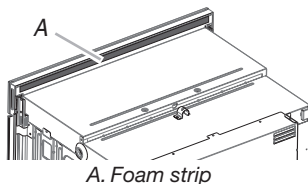
! WARNING

Excessive Weight Hazard

**Use two or more people to move and install oven.
Failure to do so can result in back or other injury.**

2. To avoid floor damage, set the oven onto cardboard prior to installation. Do not use handle or any portion of the front frame for lifting.
3. Remove the shipping materials and tape from the oven.
4. Remove the hardware package from inside the bag containing literature.
5. Remove and set aside racks and other parts from inside the oven.
6. If installing a single oven below a cooktop, remove the adhesive backing from the foam strip and press it to the back of the control panel.

NOTE: When the cooktop is installed in the cabinet, the top edge of the foam strip should be approximately $\frac{3}{8}$ " (10 mm) from the top edge of the control panel. Make sure the foam strip is positioned against the cabinet face.

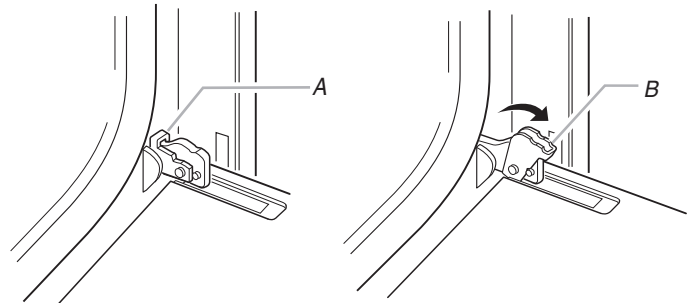


7. Move oven and cardboard close to the oven's final location.

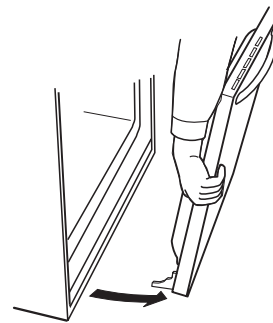
Remove Oven Door

IMPORTANT: Use both hands to remove oven door(s).

1. Open the oven door.
2. Locate the oven door latches in both corners of the oven door, and rotate the latches forward to the unlocked position.



3. Grasp the edges of the oven door with both hands and close the oven door until it will no longer close. Lift and pull oven door toward you and remove. Set the oven door(s) aside on a covered work surface.



Positioning Oven Feet for Multiple Cabinet Cutout Heights

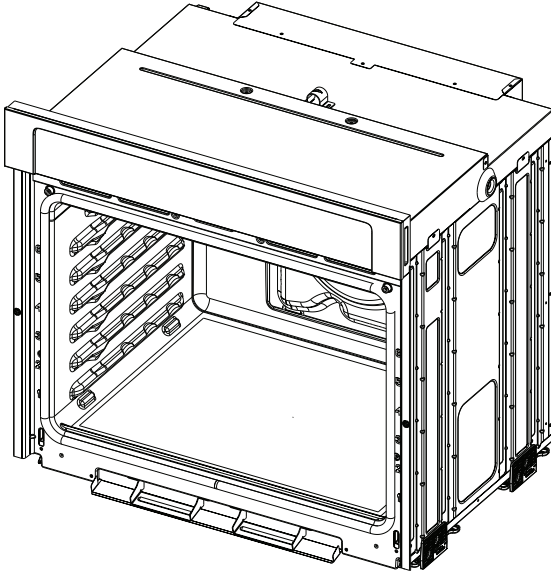
Single Ovens

The positioning of the oven feet allow a single oven to be installed in a cutout height between $26\frac{15}{16}$ " (68.4 cm) and $29\frac{7}{16}$ " (74.8 cm). Refer to the following instructions to position the feet for the size of your cabinet cutout.

Cutout height is between $27\frac{5}{8}$ " (70.2 cm) and $28\frac{5}{8}$ " (72.7 cm)

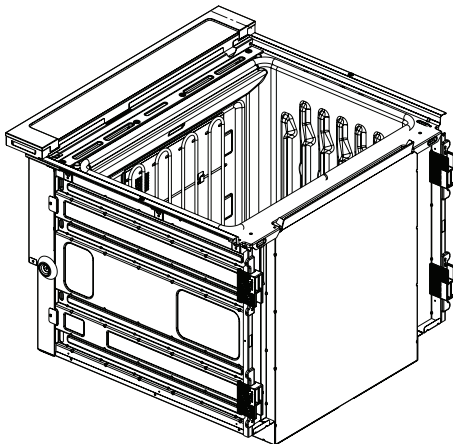
The oven feet do not need to be changed. They are positioned correctly as received.

Go to the "Make Electrical Connection" section.



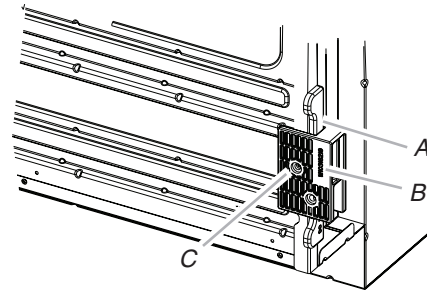
Cutout Height is between $26\frac{15}{16}$ " (68.4 cm) and $27\frac{1}{16}$ " (70.3 cm)

1. Using 2 or more people, place the oven on its back on a covered surface.



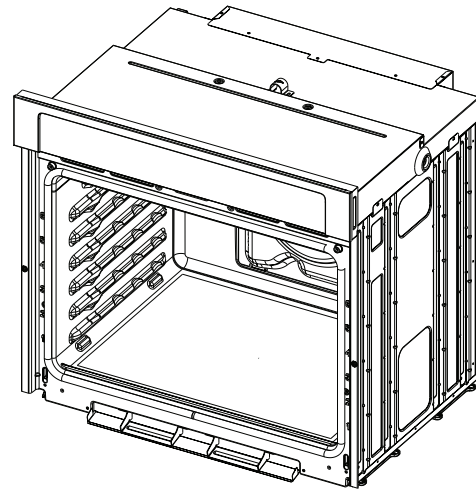
2. Remove the foot from the right front spacer by removing the #8-18 x $\frac{3}{8}$ " screw.

NOTE: Do not remove the spacer.



A. Spacer
B. Foot
C. #8-18 x $\frac{3}{8}$ " screw

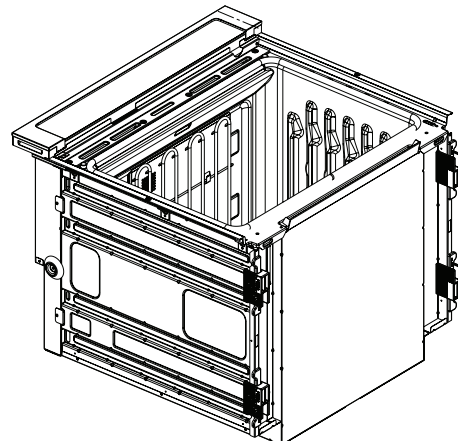
3. In the same manner, remove the feet on the right rear, left front, and left rear of the oven.
4. Using 2 or more people, place the oven in its upright position.



5. Go to the "Make Electrical Connection" section.

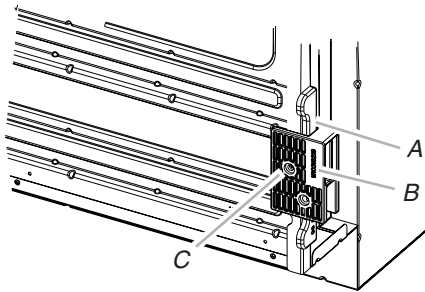
Cutout Height is between $28\frac{11}{16}$ " (72.8 cm) and $29\frac{7}{16}$ " (74.8 cm)

1. Using 2 or more people, place the oven on its back on a covered surface.



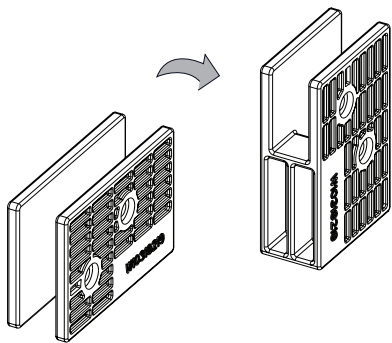
- Remove the foot from the right front spacer by removing the #8-18 x 3/8" screw.

NOTE: Do not remove the spacer.

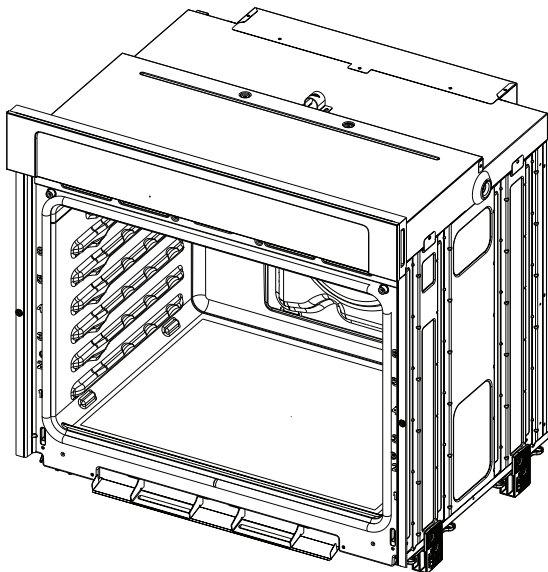


A. Spacer
B. Foot
C. #8-18 x 3/8" screw

- Rotate the foot 90° so the short side of the foot is positioned toward the top of the oven.



- Reinstall the foot to the spacer using the #8-18 x 3/8" screw previously removed.
- In the same manner, remove, rotate and reinstall the feet on the right rear, left front, and left rear of the oven.
- Using 2 or more people, place the oven in its upright position.



- Go to the "Make Electrical Connection" section.

Double Ovens

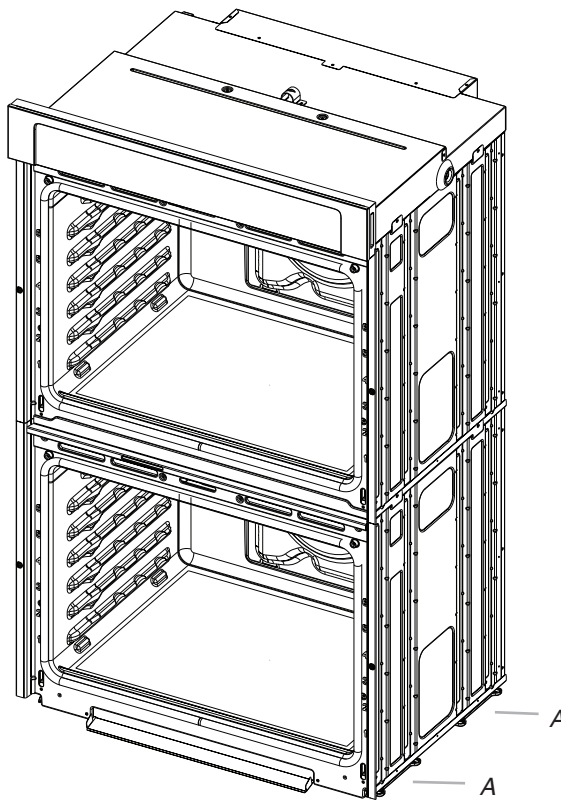
The positioning of the oven feet allow a double oven to be installed in a cutout height between 48 7/8" (124.1 cm) and 52 3/16" (132.6 cm). Refer to the following instructions to position the feet for the size of your cabinet cutout.

Cutout height is between 48 7/8" (124.1 cm) and 50 7/16" (128.1 cm)

The oven feet do not need to be installed. The oven is configured correctly as received.

NOTE: Do not remove the spacers.

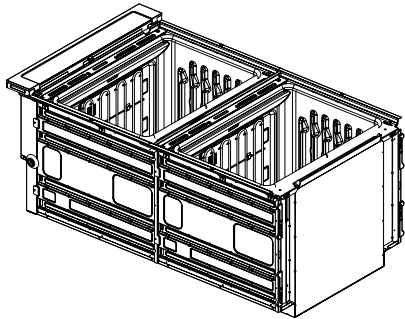
Go to the "Make Electrical Connection" section.



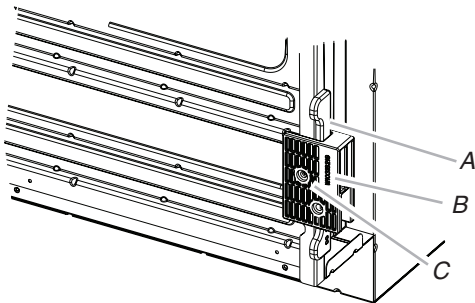
A. Spacers

Cutout Height is between 50½" (128.2 cm) and 51⅞" (129.9 cm)

- Using 2 or more people, place the oven on its back on a covered surface.

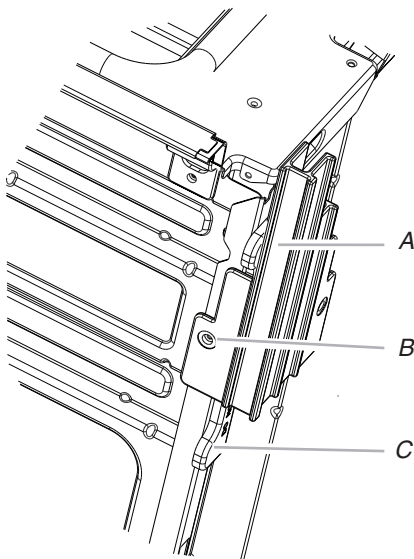


- Install a foot on the left rear spacer using a #8-18 x ⅜" screw. **NOTE:** Position the foot so the long side of the foot is facing toward the top of the oven.



A. Spacer
B. Foot
C. #8-18 x ⅜" screw

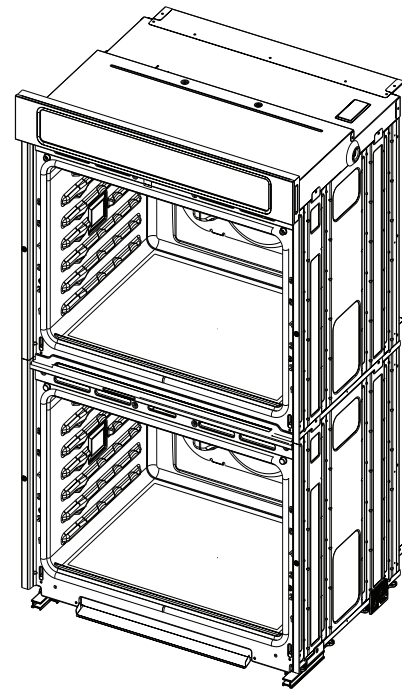
- In the same manner, install a foot on the right rear of the oven.
- Install a front foot on the left front spacer using a #8-18 x ⅜" screw. **NOTE:** Position the foot so the long side of the foot is facing toward the oven as shown.



A. Front foot
B. #8-18 x ⅜" screw
C. Spacer

- In the same manner, install a front foot on the right front of the oven.

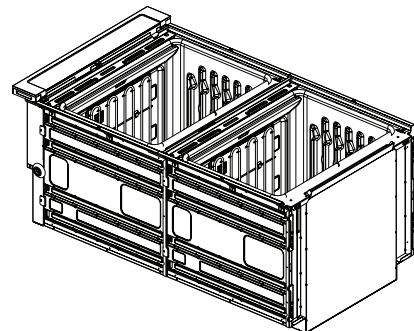
- Using 2 or more people, place the oven in its upright position.



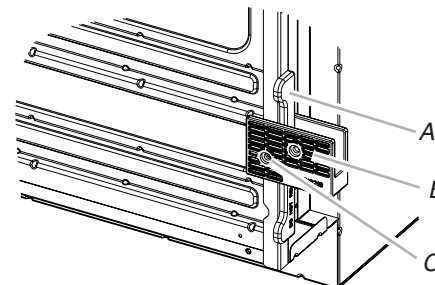
- Go to the "Make Electrical Connection" section.

Cutout Height is between 51⅞" (130.0 cm) and 52⅜" (132.6 cm)

- Using 2 or more people, place the oven on its back on a covered surface.



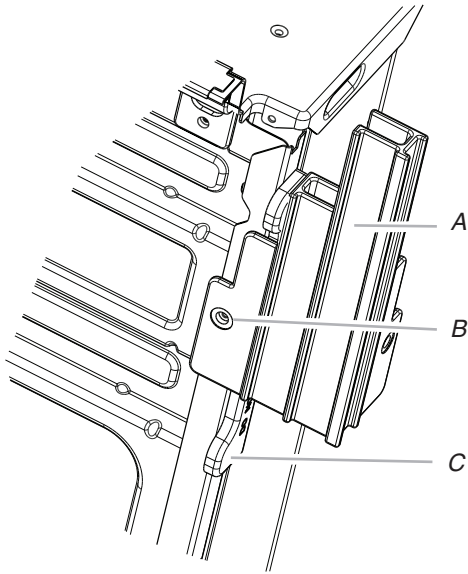
- Install a foot on the left rear spacer using a #8-18 x ⅜" screw. **NOTE:** Position the foot so the short side of the foot is facing toward the top of the oven.



A. Spacer
B. Foot
C. #8-18 x ⅜" screw

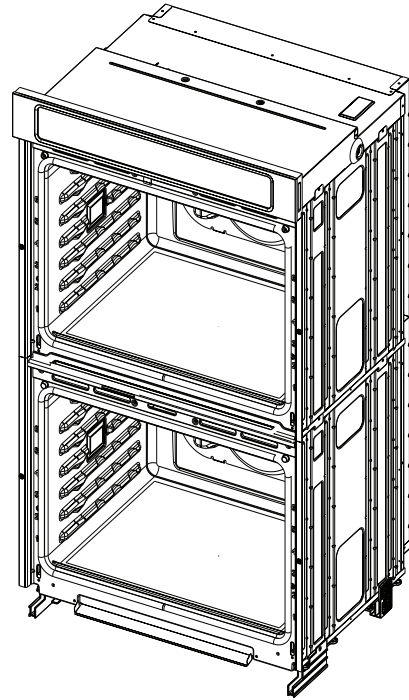
- In the same manner, install a foot on the right rear of the oven.

4. Install a front foot on the left front using a #8-18 x $\frac{3}{8}$ " screw.
NOTE: Position the foot so the long side of the foot is facing away from the oven as shown.



A. Front foot
 B. #8-18 x $\frac{3}{8}$ " screw
 C. Spacer

6. Using 2 or more people, place the oven in its upright position.



7. Go to the "Make Electrical Connection" section.

5. In the same manner, install a front foot on the right front of the oven.

Make Electrical Connection

For Double Ovens

⚠ WARNING



Electrical Shock Hazard

Disconnect power before servicing.

Use 8 gauge solid copper wire.

Electrically ground oven.

Failure to follow these instructions can result in death, fire, or electrical shock.

For Single Ovens

⚠ WARNING



Electrical Shock Hazard

Disconnect power before servicing.

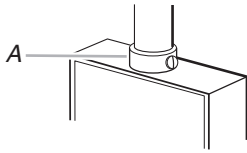
Use 12 gauge solid copper wire.

Electrically ground oven.

Failure to follow these instructions can result in death, fire, or electrical shock.

This oven is manufactured with a neutral (white) power supply wire and a cabinet-connected green (or bare) ground wire twisted together.

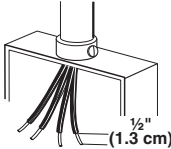
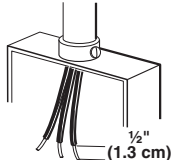
1. Disconnect power.
2. Feed the flexible conduit from the oven through the opening in the cabinet.
3. Remove junction box cover, if it is present.
4. Install a UL listed or CSA approved conduit connector to the junction box.



A. UL listed or CSA approved conduit connector

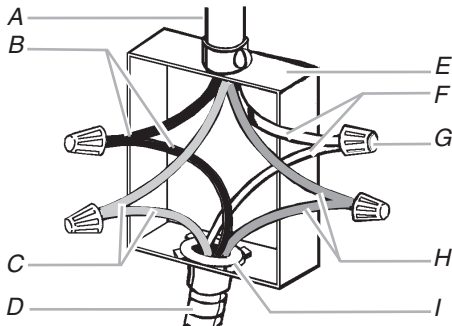
5. Route the flexible conduit from the oven to the junction box through a UL listed or CSA approved conduit connector.
6. Tighten screws on conduit connector.
7. See “Electrical Connection Options Chart” to complete installation for your type of electrical connection.

Electrical Connection Options Chart

If your home has:	Go to section:
4-wire 	4-wire Cable from Home Power Supply
3-wire 	3-wire Cable from Home Power Supply

4-Wire Cable from Home Power Supply

IMPORTANT: Use the 4-wire cable from home power supply in the U.S. where local codes do not allow grounding through neutral, New Branch circuit installations (1996 NEC), mobile homes and recreational vehicles, new construction and in Canada.

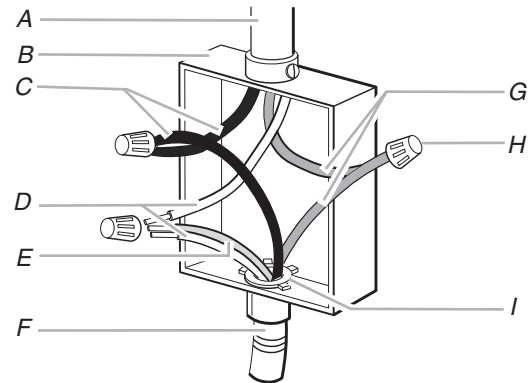


- | | |
|--------------------------------------|--|
| A. Cable from home power supply | F. White wires |
| B. Black wires | G. UL listed wire connectors |
| C. Red wires | H. Green (or bare) ground wires |
| D. 4-wire flexible conduit from oven | I. UL listed or CSA approved conduit connector |
| E. Junction box | |

1. Connect the 2 black wires (B) together using a UL listed wire connector.
2. Connect the 2 red wires (C) together using a UL listed wire connector.
3. Untwist white wire from green (or bare) ground wire coming from the oven.
4. Connect the 2 white wires (F) together using a UL listed wire connector.
5. Connect the green (or bare) ground wire (H) from the oven cable to the green (or bare) ground wire (in the junction box) using a UL listed wire connector.
6. Install junction box cover.

3-Wire Cable from Home Power Supply - U.S. Only

IMPORTANT: Use the 3-wire cable from home power supply where local codes permit a 3-wire connection.



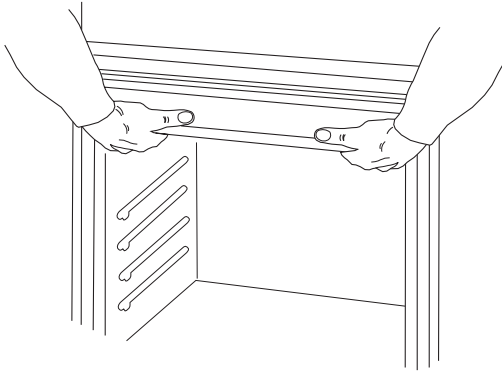
- | | |
|--|--|
| A. Cable from home power supply | F. 4-wire flexible conduit from oven |
| B. Junction box | G. Red wires |
| C. Black wires | H. UL listed wire connectors |
| D. White wires | I. UL listed or CSA approved conduit connector |
| E. Green (or bare) ground wire (from oven) | |

1. Connect the 2 black wires (C) together using a UL listed wire connector.
2. Connect the 2 white wires (D) and the green (or bare) ground wire (of the oven cable) using a UL listed wire connector.
3. Connect the 2 red wires (G) together using a UL listed wire connector.
4. Install junction box cover.

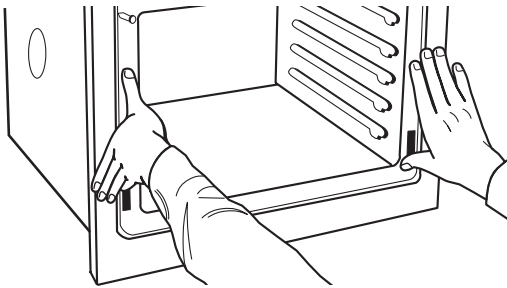
Install Oven

- Using 2 or more people, lift the oven partially into the cabinet cutout. Use the oven opening as an area to grip.

NOTE: Push against seal area of the oven front frame when pushing the oven into the cabinet. Do not push against the outside edges.



- Push against the seal area of the front frame to push the oven into the cabinet until the back surface of the front frame touches the front wall of the cabinet.

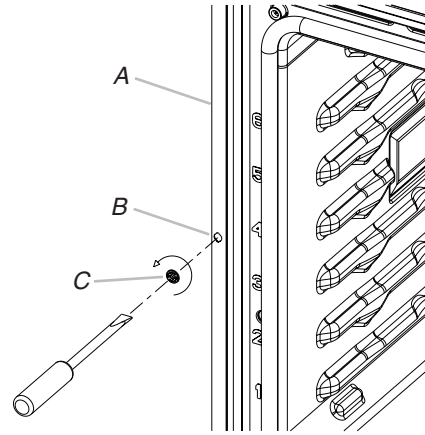


A. Shipping foot

- Push oven completely into the cabinet and center the oven into the cabinet cutout.

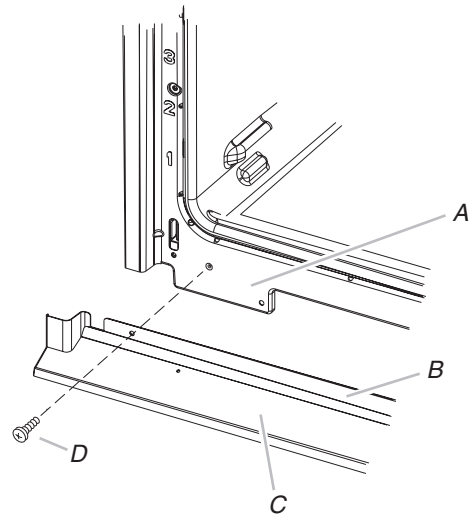
NOTE: If you have model KEBK171B, KEBK101B, KEBK276B, KEBK206B, KEBS179B, KEBS109B, KEBS277B, KEBS279B, KEBS207B, KEBS209B, KEBU109B or KEBU209B, proceed to Step 5.

- Insert the grommet into the mounting rail hole using a flat-blade screwdriver. Insert the screwdriver into the grommet and turn $\frac{1}{4}$ turn counterclockwise. Make sure the grommet stays in position.



A. Mounting rail
B. Mounting rail hole
C. Grommet

- Securely fasten oven to cabinet using the # 8-14 x 1" screws provided. Insert the screws through hole in the grommet. Do not overtighten screws.
- On models with the foot positioned with the long side of the foot facing toward the top of the oven, the oven vent is taped to the side of the oven. See the following instructions to install.
 - Align vent tab (B) with oven frame (A) as shown.
 - Using one #8-18 x $\frac{3}{8}$ " screw (D) on each side of the vent tab (B), fasten the vent securely to the oven.

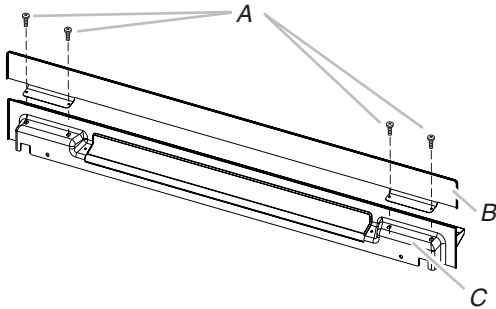


A. Oven frame
B. Vent tab
C. Oven vent
D. #8-18 x $\frac{3}{8}$ " screws

7. On models with the foot positioned with the short side of the foot toward the top of the oven, the bottom vent trim must also be installed. See the following instructions to install.

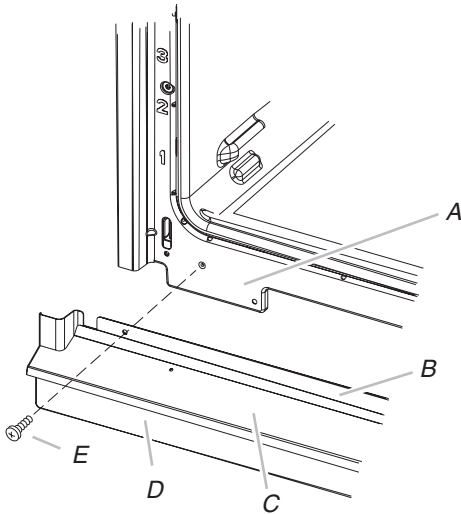
- Position the bottom vent trim (B) on the vent (C).
- Install the bottom vent trim (B) to the vent (C) using two #8-18 x 1/4" screws on each side.

NOTE: On 27" (68.6 cm) models, only one #8-18 x 1/4" screw is used on each side.



A. #8-18 x 1/4" screw
 B. Bottom vent trim
 C. Vent

- Align vent tab (B) with oven frame (A) as shown.
- Using one #8-18 x 3/8" screw (E) on each side of the vent tab (B), fasten the vent securely to the oven.



A. Oven frame
 B. Vent tab
 C. Oven vent
 D. Bottom vent trim
 E. #8-18 x 3/8" screw

8. Replace the oven racks.
9. Replace the oven door by inserting the ends of hinges into the hinge slots in the oven frame.
10. Push the hinges in as far as they will go and open the oven door. You should feel the oven door drop into place.
11. Rotate both hinge latches back to the locked position.
12. Check that the door is free to open and close. If it is not, repeat the removal and installation procedures. See the "Prepare Built-In Oven" section.
13. Repeat for lower oven door.
14. Reconnect power.
15. The display panel will light briefly, and "PF" should appear in the display.
16. If the display panel does not light, reference the "Assistance or Service" section of the Use and Care Guide or contact the dealer from whom you purchased your oven.

Complete Installation

1. Check that all parts are now installed. If there is an extra part, go back through the steps to see which step was skipped.
2. Check that you have all of your tools.
3. Dispose of/recycle all packaging materials.
4. For oven use and cleaning, read the Use and Care Guide.

Check Operation of Single and Double Ovens

1. Turn power on.
2. At first use, set up the clock and any other preferences if available. For more information, read the Use and Care Guide.
3. Press BROIL on single oven models.
NOTE: Press UPPER BROIL or LOWER BROIL on double oven models.
4. Set the temperature.

5. Press START.

If oven(s) does not operate, check the following:

- Household fuse is intact and tight; or circuit breaker has not tripped.
 - Electrical supply is connected.
 - See “Troubleshooting” section in the Use and Care Guide.
6. When oven has been on for 5 minutes, feel for heat.
If you do not feel heat or if an error message appears in the display, turn off the oven and contact a qualified technician.
 7. Press UPPER CANCEL/LOWER CANCEL on double ovens, or press CANCEL on single ovens.

If you need Assistance or Service:

Please reference the “Assistance or Service” section of the Use and Care Guide or contact the dealer from whom you purchased your built-in oven.

Notes

Notes