



# PREMIER JUMBO CABINET

Assembly Instructions

# ARMARIO GIGANTE DE ALTA CALIDAD

Instrucciones de ensamblaje

# GRANDE ARMOIRE (PREMIER JUMBO)

Instructions d'assemblage

---

## TABLE OF CONTENTS/ÍNDICE/TABLE DES MATIÈRES

|                                 |   |                                   |    |                                  |    |
|---------------------------------|---|-----------------------------------|----|----------------------------------|----|
| CABINET/LOCKER SAFETY .....     | 2 | SEGURIDAD DEL ARMARIO .....       | 8  | SÉCURITÉ DE L'ARMOIRE.....       | 14 |
| PARTS .....                     | 2 | PIEZAS .....                      | 8  | PIÈCES.....                      | 14 |
| ASSEMBLY INSTRUCTIONS.....      | 3 | INSTRUCCIONES DE ENSAMBLAJE ..... | 9  | INSTRUCTIONS D'ASSEMBLAGE .....  | 15 |
| INSTALLATION INSTRUCTIONS ..... | 6 | INSTRUCCIONES DE INSTALACIÓN..... | 12 | INSTRUCTIONS D'INSTALLATION..... | 18 |
| WARRANTY .....                  | 7 | GARANTÍA .....                    | 13 | GARANTIE .....                   | 19 |

IT'S TIME TO RETHINK THE GARAGE.®  
ES TIEMPO DE VOLVER A PENSAR EN EL GARAGE.™  
LE GARAGE REPENSÉ.™

**W10130911C**

In U.S.A. call: 1-866-342-4089  
En EE.UU. llame al: 1-866-342-4089  
Aux É.-U. téléphoner au 1-866-342-4089

In Canada call: 1-800-807-6777  
En Canadá llame al: 1-800-807-6777  
Au Canada téléphoner au 1-800-807-6777

[www.GladiatorGW.com](http://www.GladiatorGW.com)  
[www.gladiatorgarageworks.ca](http://www.gladiatorgarageworks.ca)

# CABINET/LOCKER SAFETY

## Your safety and the safety of others are very important.

We have provided many important safety messages in this manual and on your appliance. Always read and obey all safety messages.



This is the safety alert symbol.

This symbol alerts you to potential hazards that can kill or hurt you and others.

All safety messages will follow the safety alert symbol and either the word "DANGER" or "WARNING."

These words mean:

**⚠ DANGER**

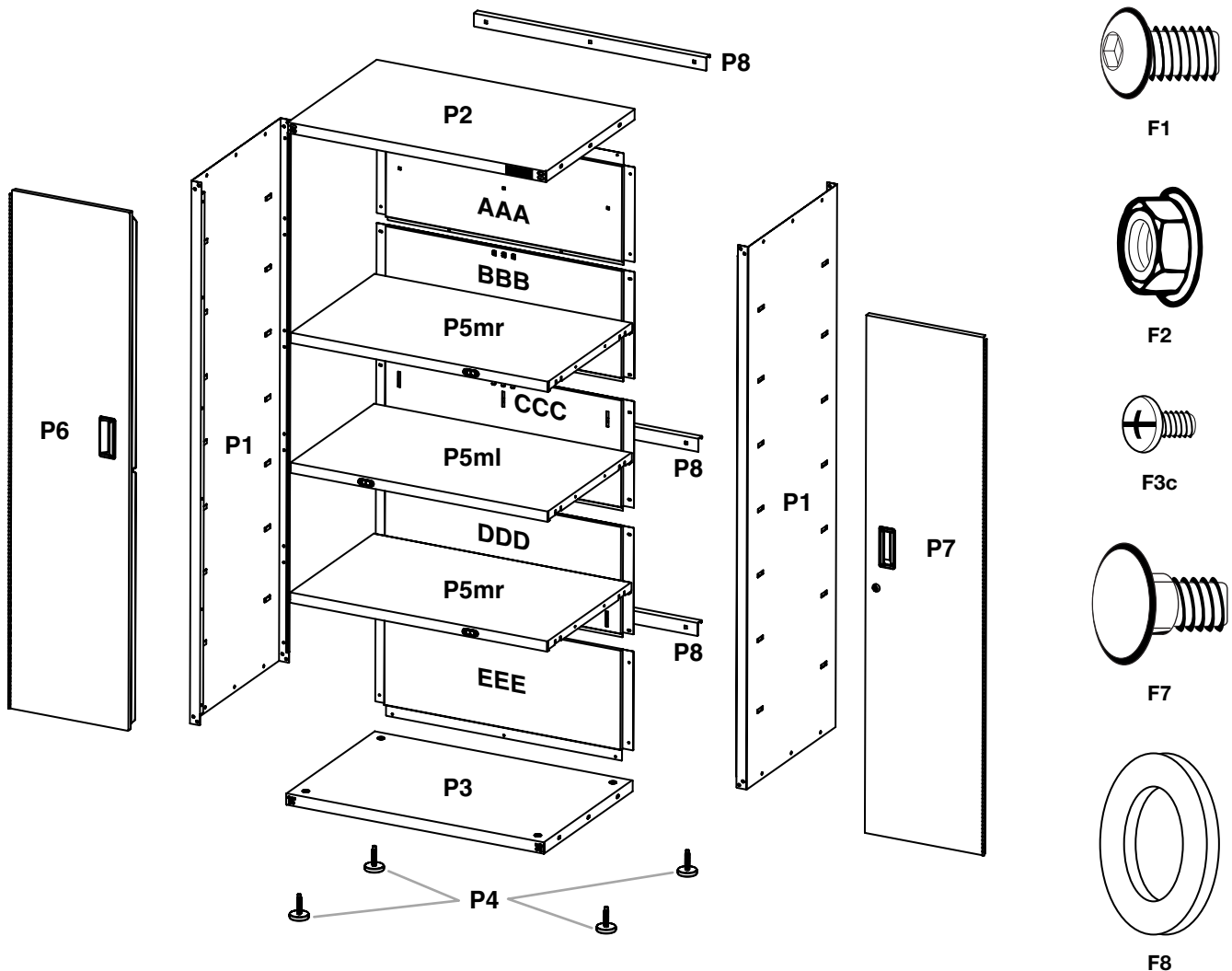
You can be killed or seriously injured if you don't immediately follow instructions.

**⚠ WARNING**

You can be killed or seriously injured if you don't follow instructions.

All safety messages will tell you what the potential hazard is, tell you how to reduce the chance of injury, and tell you what can happen if the instructions are not followed.

## PARTS



# ASSEMBLY INSTRUCTIONS

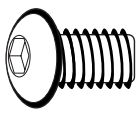
## Cabinet Use Requirements

- Intended for use in a garage.
- Maximum weight limit is 50 lbs (22.7 kg) for each shelf.
- Maximum weight limit is 300 lbs (136 kg) for the cabinet.

## Unpack Cabinet Parts

1. Remove and verify the contents. Contents include a hex key, a key, and the parts and fasteners shown in "Parts."
2. Dispose of/recycle all packaging materials.

## Assemble Cabinet



F1

F1 5/16" Hex-head bolt (28)



F2

F2 5/16" Flange nut (12)

Gather the required tools before starting installation.

### Tools Needed:

- 1/2" Wrench
- Level
- Phillips screwdriver

### Tools Supplied:

- Hex key
- Key

## ⚠ WARNING

### Excessive Weight Hazard

Use two or more people to move, assemble or install cabinet.

Failure to do so can result in back or other injury.

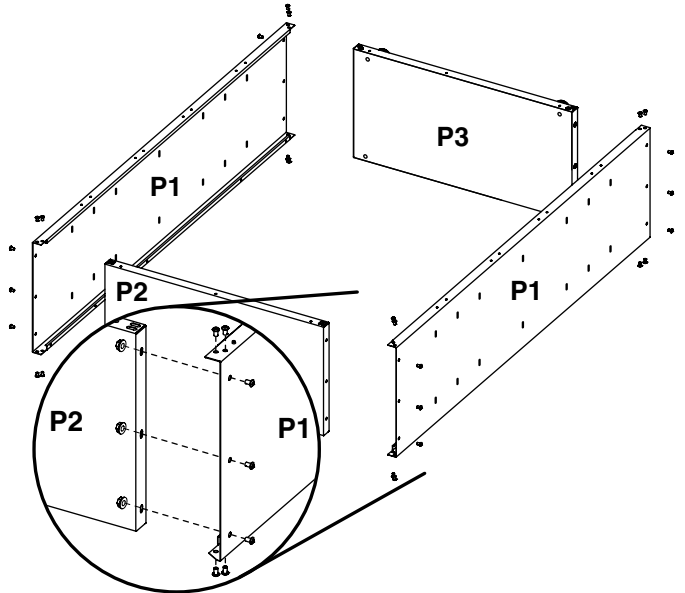
### IMPORTANT:

- Two people may be required to complete the assembly.
  - As you assemble the cabinet, make sure the edges with the holes are facing up.
  - If you are assembling the cabinet on the floor, fasten the eight front corner bolts, two at each corner, after you stand the cabinet upright.
1. Place side panel (P1) on a flat, firm surface so that the edge with the holes is facing up as shown.
  2. Insert the cabinet top (P2) between the edges of side panel (P1).  
**NOTE:** Make sure the edges with the holes are facing up.
  3. Align the holes and attach the top (P2) to side panel (P1) using Hex-head bolts (F1) and the three 5/16" flange nuts (F2) as shown. Do not tighten completely.
  4. Position the other side panel (P1) so that the top (P2) is between the edges of side panel (P1).
  5. Align the holes and attach the top (P2) to the side (P1) using Hex-head bolts (F1) and the three 5/16" flange nuts (F2) as shown. Do not tighten completely.

6. Insert the cabinet bottom (P3) between the edges of the side panels (P1).

**NOTE:** Make sure the edges with the holes are facing up.

7. Align the holes and attach the bottom (P3) to the sides (P1) using Hex-head bolts (F1) and the three 5/16" flange nuts (F2). Do not tighten completely.



## Attach Back Panels



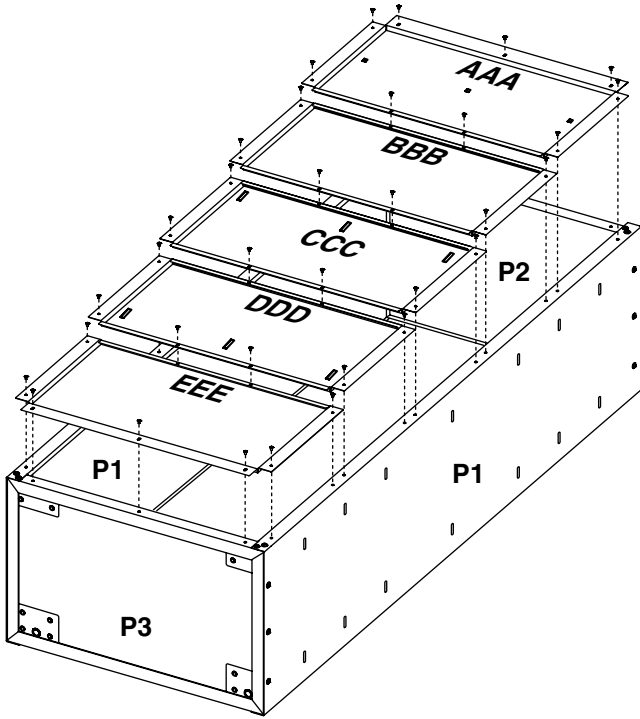
F3c

Phillips-head screw (34)

### IMPORTANT:

- Attach the back panels starting at the top of the cabinet with back panel (AAA) and working down to the cabinet bottom. Each back panel will overlap the panel below.
  - Do not completely tighten the screws until all back panels are in place.
1. Align back panel (AAA) with the holes in the cabinet top. Using Phillips-head screws (F3c), attach back panel (AAA) to the cabinet top and sides.
  2. Slide the top of back panel (BBB) under the bottom of back panel (AAA). Using Phillips-head screws, fasten back panel (BBB) to the cabinet sides.
  3. Repeat Step 2 for the remaining back panels ending with back panel (EEE).
  4. Using Phillips-head screws, attach each back panel to the panel below.  
**NOTE:** Using Phillips-head screws, attach panel (EEE) to the cabinet bottom (P3).
  5. Completely tighten all back panel screws starting with the sides and continuing with the top, middle and bottom.

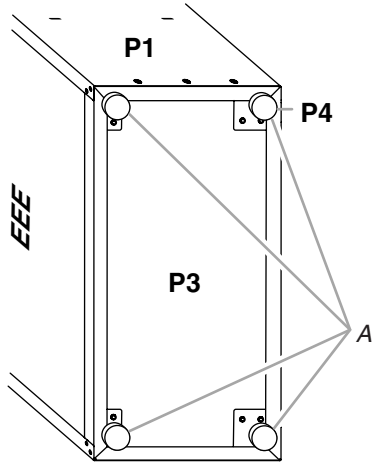
- Using the hex key (provided), completely tighten all 28 cabinet bolts and nuts.



### Install Leveling Legs (optional)

**IMPORTANT:** If you are going to install the cabinet on Gladiator® GearWall® panels or GearTrack® channels, you do not need to install leveling legs.

- Place the cabinet on its side.
- Screw a leveling leg (P4) into each of the four rivet nuts located at the corners of the cabinet as shown.



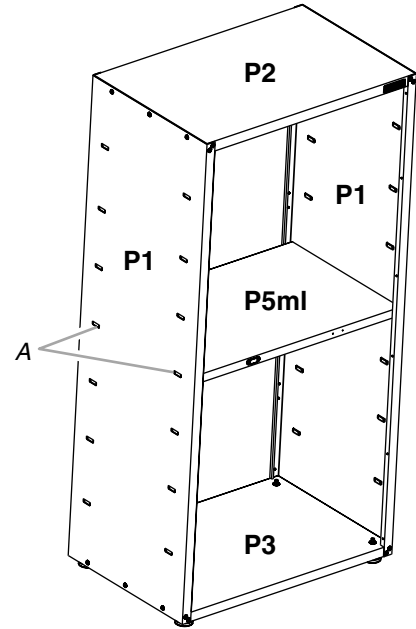
A. Leveling legs

- Stand the cabinet upright.
- If you have not already done so, fasten the two bolts at each front corner, of the cabinet frame. Completely tighten all of the cabinet bolts and nuts.

### Install Shelves

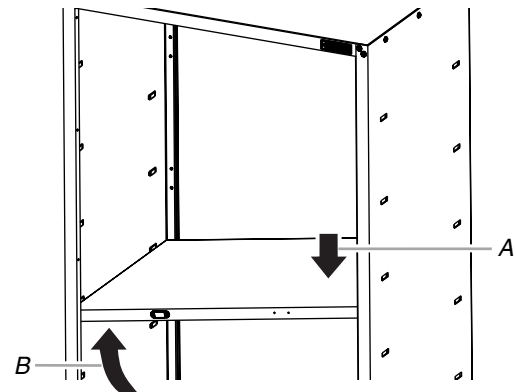
**IMPORTANT:**

- Use the pair of slots located in the middle of the cabinet sides to install a center shelf (P5ml). The magnet should be on the left-hand side and facing out when installed, so that the door closure will make contact with the shelf, and the door will lock. The other two shelves may be installed where desired.
  - The shelves are supported by the metal slots on the cabinet sides.
  - Make sure that the shelf (P5ml) magnet is visible on the left-hand side and facing out as shown below.
- Place a shelf (P5ml) so that the two tabs in the shelf ends are aligned with the pair of slots in the middle of the cabinet sides.



A. Middle pair of slots in cabinet side

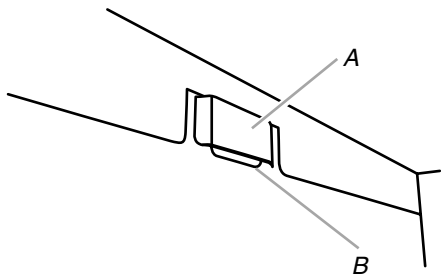
- Tilt the shelf so that one end is higher than the other as shown.



A. Push down.  
B. Lift up.

3. Insert the shelf into the cabinet so that the higher end is directly above the desired slots and push the shelf down into place behind the side slots. Raise the lower end so it is directly above the desired slots and push the shelf down.

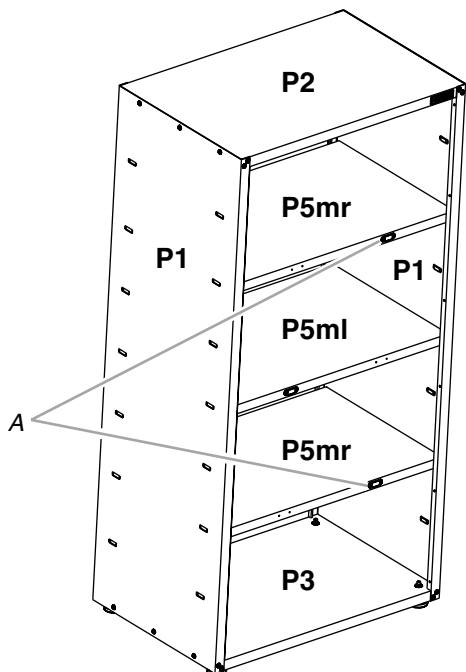
**NOTE:** You may need to slightly bend the shelf tabs outward for the tabs to engage in the slots. Make sure the shelf tabs are in place behind all the slots, as shown.



A. Cabinet slot  
B. Shelf tab

4. Repeat steps 2 and 3 for the remaining two shelves (P5mr). The magnet for shelves (P5mr) is located on the right-hand side and facing out as shown below.

**NOTE:** Make sure the magnet in the right of each long shelf edge, is facing outward.



A. Magnet facing outward

### Adjust the Shelves

1. Lift up on the underside of the shelf until the shelf tabs are free of the cabinet slots.
2. Tilt the shelf up to reposition it within the cabinet or to remove it from the cabinet.

### Install Doors



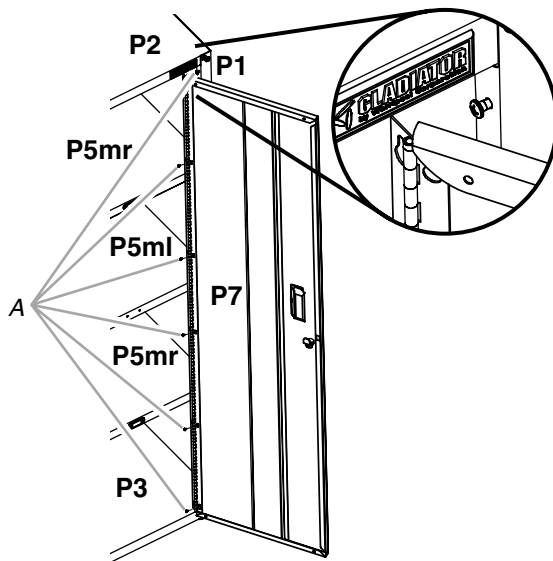
F3c

Phillips-head screw (12)

#### IMPORTANT:

- The door with the lock assembly (P7) should be installed on the right-hand side of the cabinet.
- The door hinges are designed with keyhole slots at the top and bottom so the door will hang on the cabinet while you are fastening the screws.

1. Start Phillips-head screws (F3c) in both the top and bottom holes on each side of the cabinet.
2. Hang the right-hand side door (P7) from the top and bottom screws, and hand tighten.
3. Insert the middle four screws through the door hinge into the cabinet and hand tighten.



A. Phillips-head screws

## INSTALLATION INSTRUCTIONS

### ⚠ WARNING

#### Excessive Weight Hazard

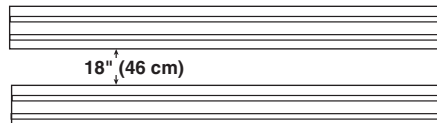
Use two or more people to move, assemble or install cabinet.

Failure to do so can result in back or other injury.

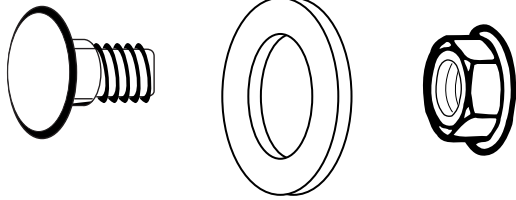
#### IMPORTANT:

- Gladiator brand Premier Jumbo cabinet is designed to be installed on Gladiator® GearWall® panels or GearTrack® channels.

- If GearTrack® channels will be used to support the Gladiator® Premier Jumbo GearBox cabinet, you must use three channels installed 18" (45.72 cm) apart.
- Be sure the GearWall® panels or GearTrack® channels are installed with mounting screws in every slot and at every stud location with a maximum of 24" (60.96 cm) horizontally between screws.



## Attach Mounting Brackets



F7

F8

F2

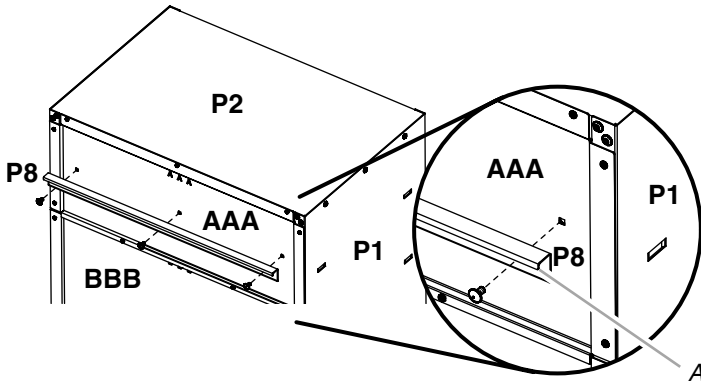
F7 Carriage-head bolt (9)

F2 5/16" Flange nut (9)

F8 Washer (9)

**IMPORTANT:** There are slots in back panels (AAA, CCC, and DDD) to attach the mounting brackets (P8).

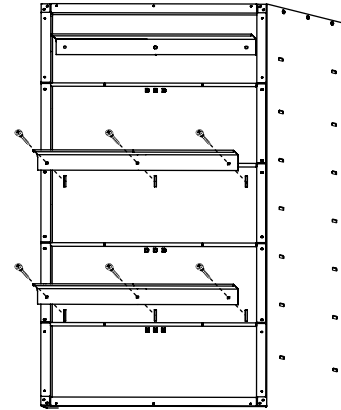
1. With the mounting bracket rim pointing down, align the three bracket holes with the slots in back panel (AAA), as shown.
2. Working from the back, insert carriage bolts (F7) through the bracket and into top back panel (AAA).
3. Working from the cabinet interior, fasten each bolt with a washer (F8) and a flange nut (F2). Fully tighten the bolts.



A. Bracket rims pointing down

4. Repeat steps 1 and 2 to attach the center and bottom mounting brackets (P8) to the back of the cabinet.

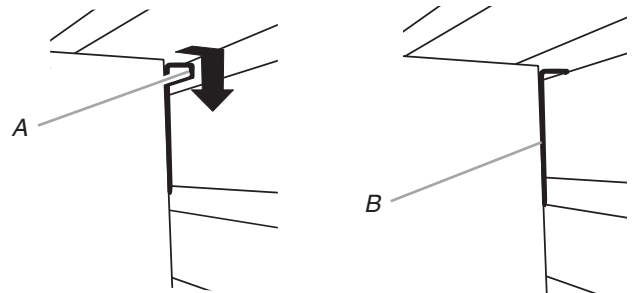
**NOTE:** Hand tighten the nuts attaching the center and bottom brackets. These brackets will need to be adjusted to mount the cabinet on the wall.



## Mount the Cabinet to GearWall® Panels or GearTrack® Channel

**NOTE:** The three nuts on the center and bottom mounting brackets must be loose enough to allow the brackets to move in the slots.

1. Close the cabinet doors.
2. Determine cabinet mounting location on GearWall® panels or GearTrack® channel.
3. Using two or more people, engage the top bracket (P8) into the slots by lifting up, pushing toward the wall and lowering the bracket rims into the slots as shown.
4. Make sure the top bracket is fully engaged in the slots as shown.



A. Bracket rim

B. Mounting bracket fully engaged

5. Open the cabinet doors.
6. From inside the cabinet, grasp the bolts in the center bracket and adjust the bracket until it aligns with the slot in the GearWall® panels or GearTrack® channels.
7. Push the cabinet toward the wall and lower the center mounting bracket into the slots.
8. Make sure the center bracket (P8) is fully engaged in the slot as shown.
9. Repeat for the bottom bracket (P8).
10. Using a 1/2" wrench, fully tighten the nuts attaching the center and bottom brackets.

---

# GLADIATOR® GARAGEWORKS PREMIER JUMBO CABINET WARRANTY

---

## LIFETIME LIMITED WARRANTY

For the life of the product, when the Premier Jumbo Cabinet is used and maintained according to the instructions attached to or furnished with the product, Gladiator® GarageWorks will pay for replacement or repair of the defective product or parts to correct defects in materials or workmanship.

---

### Gladiator® GarageWorks will not pay for:

1. Service calls to correct the installation of any Gladiator® GarageWorks products or to instruct you on how to use or install them.
  2. Damage resulting from improper handling or shipping of products, or products damaged by accident, misuse, abuse, fire, flood, improper installation, acts of God, neglect, corrosion, modification or mishandling.
  3. Shipping or freight fees to deliver replacement products or to return defective products.
  4. Repairs or replacement when your product is used in other than normal, single-family household use, such as a commercial environment or handled in any way inconsistent with the installation instructions included with the product.
  5. Cosmetic damage including scratches, dings, dents or cracks that do not affect the structural or functional capability of the product.
  6. Replacement parts or product for Gladiator® GarageWorks products operated outside the United States and Canada.
  7. In Canada, travel or transportation expenses for customers who reside in remote areas.
  8. Any labor costs during the limited warranty period.
  9. Damage resulting from improper loading beyond the specified maximum weight capacity outlined in the assembly instructions provided with the product, including overloading of hooks, baskets, shelves, cabinets, and other Gladiator® GarageWorks accessories used with the product.
  10. Surfaces damaged due to chemical interaction resulting in corrosion of paint or metal.
  11. Replacement keys or locking mechanism.
  12. Loss of product contents due to theft, fire, flood, accident or acts of God.
- 

### DISCLAIMER OF IMPLIED WARRANTIES; LIMITATION OF REMEDIES

IMPLIED WARRANTIES, INCLUDING TO THE EXTENT APPLICABLE WARRANTIES OF MERCHANTABILITY OR FITNESS FOR A PARTICULAR PURPOSE, ARE EXCLUDED TO THE EXTENT LEGALLY PERMISSIBLE. ANY IMPLIED WARRANTIES THAT MAY BE IMPOSED BY LAW ARE LIMITED TO ONE YEAR, OR THE SHORTEST PERIOD ALLOWED BY LAW. SOME STATES AND PROVINCES DO NOT ALLOW LIMITATIONS OR EXCLUSIONS ON HOW LONG AN IMPLIED WARRANTY OF MERCHANTABILITY OR FITNESS LASTS, SO THE ABOVE LIMITATIONS OR EXCLUSIONS MAY NOT APPLY TO YOU. THIS WARRANTY GIVES YOU SPECIFIC LEGAL RIGHTS, AND YOU MAY ALSO HAVE OTHER RIGHTS WHICH VARY FROM STATE TO STATE OR PROVINCE TO PROVINCE.

Outside the 50 United States and Canada, this warranty does not apply. Contact your authorized Gladiator® GarageWorks dealer to determine if another warranty applies.

If you need service, call the Gladiator® GarageWorks Customer eXperience Center, **1-866-342-4089** (toll-free), from anywhere in the U.S.A. In Canada, contact your Whirlpool Canada LP designated service company or call **1-800-807-6777**.

In the United States, Gladiator® GarageWorks means Whirlpool Corporation, Benton Harbor, Michigan 49022. In Canada, Gladiator® GarageWorks means Whirlpool Canada LP, Mississauga, ON L5N 3A7.

3/07

---

**Keep this book and your sales slip together for future reference. You must provide proof of purchase or installation date for in-warranty service.**

Write down the following information about your Premier Jumbo Cabinet to better help you obtain assistance or service if you ever need it. You will need to know your complete model number and serial number. You can find this information on the model and serial label located on the back of the product.

Dealer name \_\_\_\_\_  
Address \_\_\_\_\_  
Phone number \_\_\_\_\_  
Model number \_\_\_\_\_  
Serial number \_\_\_\_\_  
Purchase date \_\_\_\_\_

# SEGURIDAD DEL ARMARIO

## Su seguridad y la seguridad de los demás es muy importante.

Hemos incluido muchos mensajes importantes de seguridad en este manual y en su electrodoméstico. Lea y obedezca siempre todos los mensajes de seguridad.



Este es el símbolo de advertencia de seguridad.

Este símbolo le llama la atención sobre peligros potenciales que pueden ocasionar la muerte o una lesión a usted y a los demás.

Todos los mensajes de seguridad irán a continuación del símbolo de advertencia de seguridad y de la palabra "PELIGRO" o "ADVERTENCIA". Estas palabras significan:

**⚠ PELIGRO**

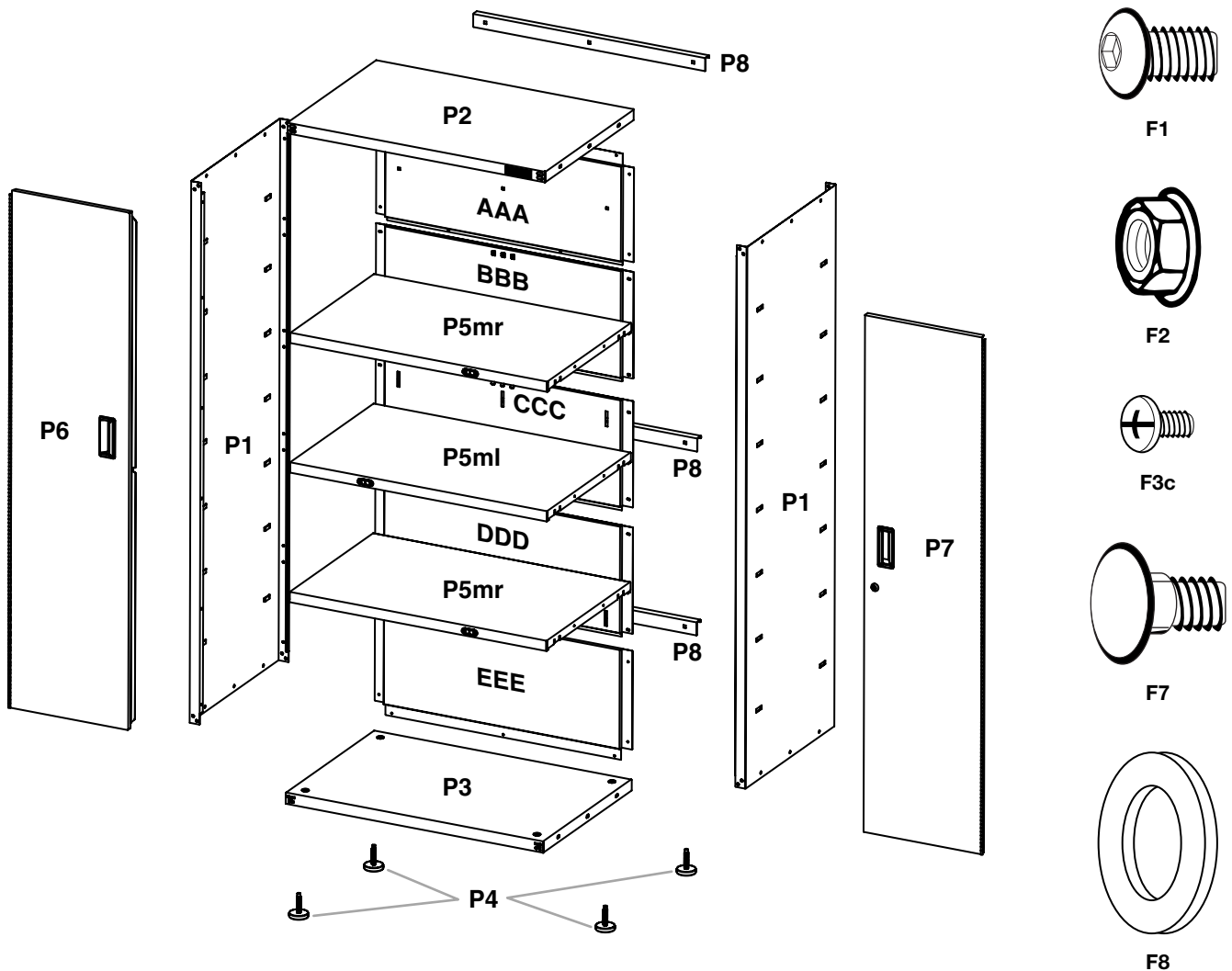
Si no sigue las instrucciones de inmediato, usted puede morir o sufrir una lesión grave.

**⚠ ADVERTENCIA**

Si no sigue las instrucciones, usted puede morir o sufrir una lesión grave.

Todos los mensajes de seguridad le dirán el peligro potencial, le dirán cómo reducir las posibilidades de sufrir una lesión y lo que puede suceder si no se siguen las instrucciones.

## PIEZAS





# INSTRUCCIONES DE ENSAMBLAJE

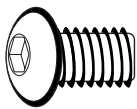
## Requisitos de uso del armario

- Diseñado para usarse en un garage.
- El límite de peso máximo es de 50 lbs (22,7 kg) para cada estante.
- El límite de peso máximo es de 300 lbs (136 kg) para el armario.

## Desempaque las piezas del armario

1. Quite y verifique el contenido. Se incluye una llave hexagonal en L, una llave y las piezas y sujetadores que se muestran en "Piezas".
2. Deshágase de todos los materiales de embalaje o reciclelos.

## Ensamble el armario



F1



F2

F1 Perno de cabeza hexagonal de 5/16" (28)

F2 Tuerca de reborde de 5/16" (12)

Reúna las herramientas necesarias antes de comenzar la instalación.

### Herramientas necesarias:

- Llave de tuercas de 1/2"      ■ Nivel
- Destornillador Phillips

### Herramientas suministradas:

- Llave hexagonal en L      ■ Llave

## ⚠ ADVERTENCIA

### Peligro de Peso Excesivo

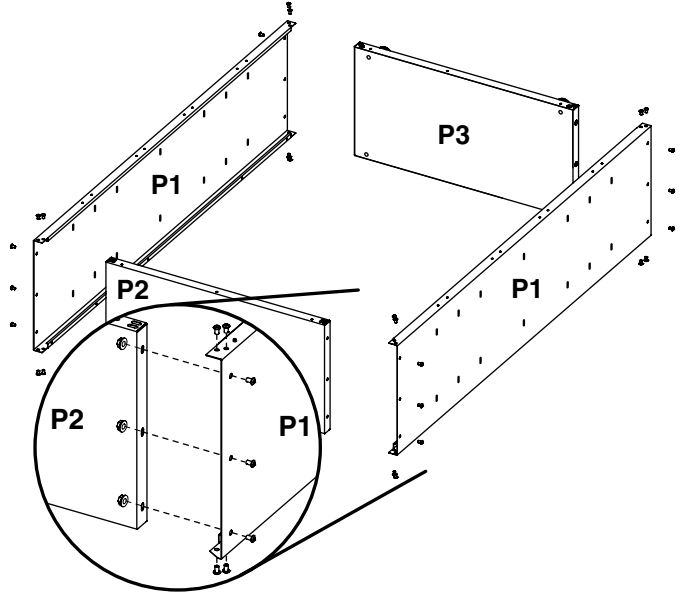
Use dos o más personas para mover, ensamblar o instalar el armario.

No seguir esta instrucción puede ocasionar una lesión en la espalda u otro tipo de lesiones.

### IMPORTANTE:

- Tal vez se necesiten dos personas para completar el ensamblaje.
  - A medida que ensambla el armario, asegúrese de que los bordes con orificios estén mirando hacia arriba.
  - Si usted está ensamblando el armario sobre el piso, ajuste los ocho pernos frontales de la esquina, dos en cada esquina, después de poner el armario en posición vertical.
1. Coloque el panel lateral (P1) sobre una superficie plana y firme de manera que el extremo con orificios quede mirando hacia arriba, como se muestra.
  2. Inserte la parte superior del armario (P2) entre los extremos del panel lateral (P1).  
**NOTA:** Asegúrese de que los bordes con orificios estén mirando hacia arriba.
  3. Alinee los orificios y sujete la parte superior (P2) al panel lateral (P1) usando pernos Hex (F1) y tres tuercas de reborde de 5/16" (F2), como se muestra. No los apriete completamente.
  4. Coloque el otro panel lateral (P1) de manera que la parte superior (P2) quede entre los extremos del panel lateral (P1).

5. Alinee los orificios y sujete la parte superior (P2) a la parte lateral (P1) usando pernos de cabeza hexagonal (F1) y tres tuercas de reborde de 5/16" (F2), como se muestra. No los apriete completamente.
6. Inserte la parte inferior del armario (P3) entre los extremos del panel lateral (P1).  
**NOTA:** Asegúrese de que los bordes con orificios estén mirando hacia arriba.
7. Alinee los orificios y fije la parte inferior (P3) a los lados (P1) usando pernos de cabeza hexagonal (F1) y tres tuercas de reborde de 5/16" (F2). No los apriete completamente.



## Fije los paneles posteriores



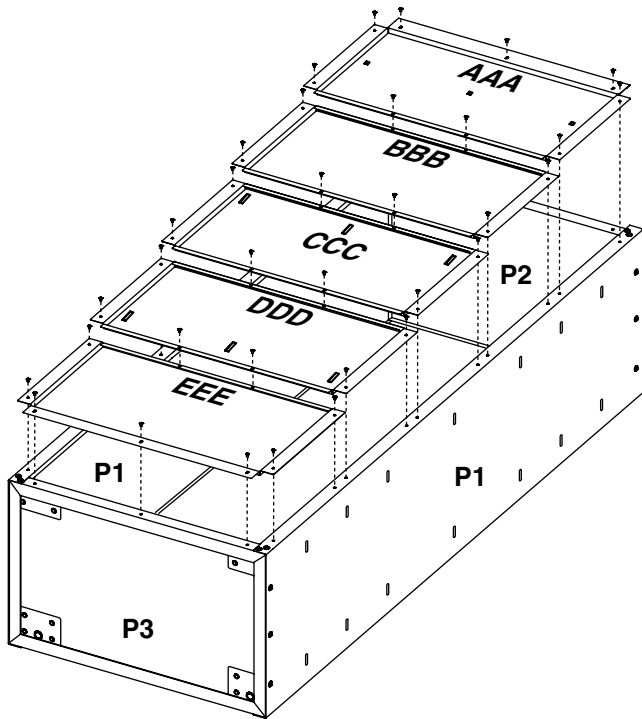
F3c

Tornillo Phillips (34)

### IMPORTANTE:

- Fije los paneles posteriores, comenzando por la parte superior del armario, con el panel posterior (AAA) y trabajando hacia abajo, hacia el fondo del armario. Cada panel sobrepasará al panel posterior que esté abajo.
  - No apriete los tornillos por completo hasta que todos los paneles posteriores estén en su lugar.
1. Alinee el panel posterior (AAA) con los orificios en la parte superior del armario. Fije el panel posterior (AAA) a la parte superior y los lados del armario usando tornillos Phillips (F3c).
  2. Deslice la parte superior del panel posterior (BBB) debajo de la parte inferior del panel posterior (AAA). Fije el panel posterior (BBB) a los lados del armario, usando tornillos Phillips.
  3. Repita el paso 2 para los paneles posteriores restantes, terminando con el panel posterior (EEE).
  4. Fije cada panel posterior al panel que está debajo usando tornillos Phillips.  
**NOTA:** Fije el panel (EEE) al fondo del armario (P3) usando tornillos Phillips.
  5. Apriete por completo todos los tornillos del panel posterior, comenzando por los lados y siguiendo por la parte superior, del medio e inferior.

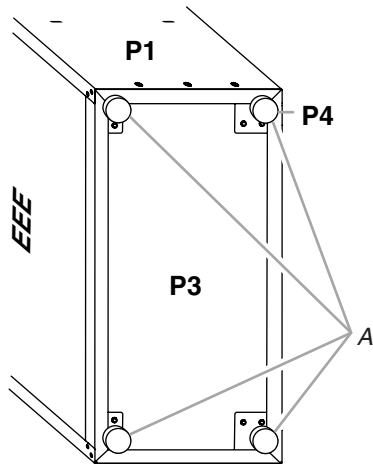
6. Apriete por completo los 28 pernos y tuercas del armario con la llave hexagonal en L (provista).



## Instalación de las patas niveladoras (opcional)

**IMPORTANTE:** Si usted va a instalar el armario sobre los paneles GearWall® o los canales GearTrack® de Gladiator, no necesita instalar las patas niveladoras.

1. Coloque el armario de costado.
2. Atornille una pata niveladora (P4) en cada una de las cuatro tuercas con remache que están ubicadas en las esquinas del armario, como se muestra.



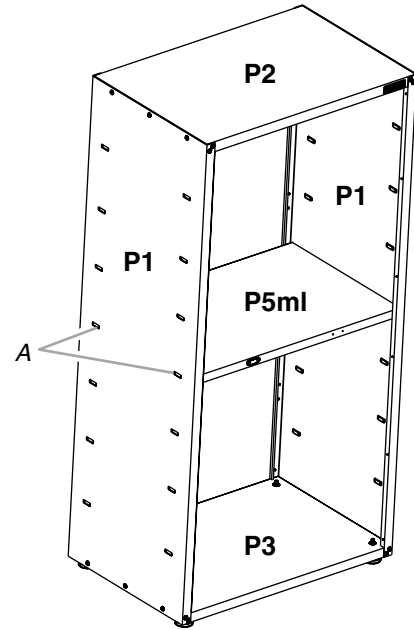
A. Patas niveladoras

3. Coloque el armario en posición vertical.
4. Si aún no lo ha hecho, asegure los dos pernos que están en la esquina frontal del marco del armario. Apriete por completo todos los pernos y las tuercas del armario.

## Instalación de los estantes

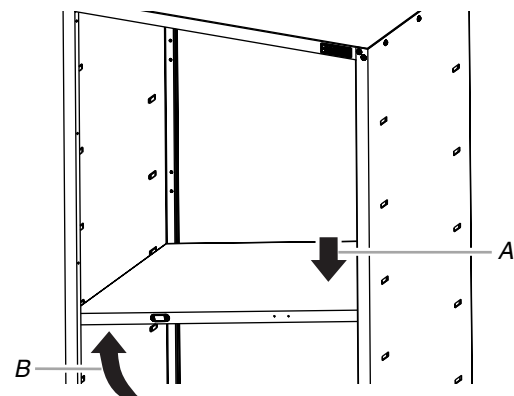
### IMPORTANTE:

- Utilice el par de ranuras situadas en medio de los lados del armario para instalar un estante central (P5ml). El imán debe estar a mano izquierda y debe estar mirando hacia fuera cuando esté instalado, de modo que el cierre de puerta hará contacto con el estante, y la puerta se cierre. Los otros dos estantes de los extremos pueden ser instalados donde deseó.
  - Los estantes se apoyan sobre las ranuras de metal que están en los lados del armario.
  - Asegúrese de que el imán del estante (P5ml) esté visible en el lado izquierdo y que mire hacia fuera como se muestra abajo.
1. Coloque un estante (P5ml) de manera que las dos lengüetas en los extremos estén alineadas con el par de ranuras que están en el medio de los lados del armario.



A. Par de orificios del medio en el lado del armario

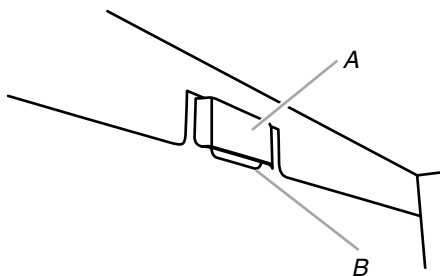
2. Incline el estante de manera que quede un extremo más alto que el otro, como se muestra.



A. Empuje hacia abajo  
B. Levante

3. Inserte el estante en el armario de manera que el extremo más alto esté directamente encima de las ranuras deseadas y empújelo hacia abajo para encajarlo en su lugar detrás de las ranuras laterales. Levante el extremo inferior de modo que quede directamente por encima de las ranuras deseadas, y empuje el estante hacia abajo.

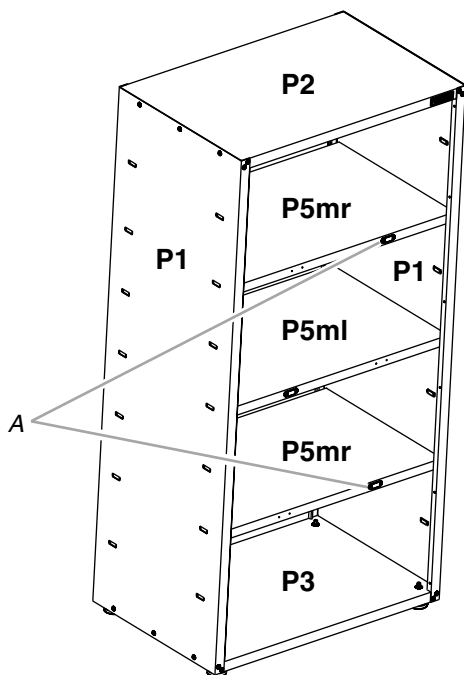
**NOTA:** Tal vez necesite doblar ligeramente las lengüetas del estante hacia afuera, para que enganchen en las ranuras. Asegúrese de que las lengüetas del estante estén colocadas detrás de las ranuras, como se muestra.



A. Ranura del armario  
B. Lengüeta del estante

4. Repita los pasos 2 o 3 para los dos estantes (P5mr) restantes. El imán para los estantes (P5mr) está ubicado a la derecha y mira hacia fuera como se muestra abajo.

**NOTA:** Asegúrese de que el imán en el lado derecho de cada extremo de cada estante esté mirando hacia fuera.



A. Imán mirando hacia fuera

### Ajuste los estantes

1. Levante la parte de abajo del estante hasta que las lengüetas del mismo se liberen de las ranuras del armario.
2. Incline el estante hacia arriba para cambiarlo de posición dentro del armario o para quitarlo del mismo.

## Instalación de las puertas

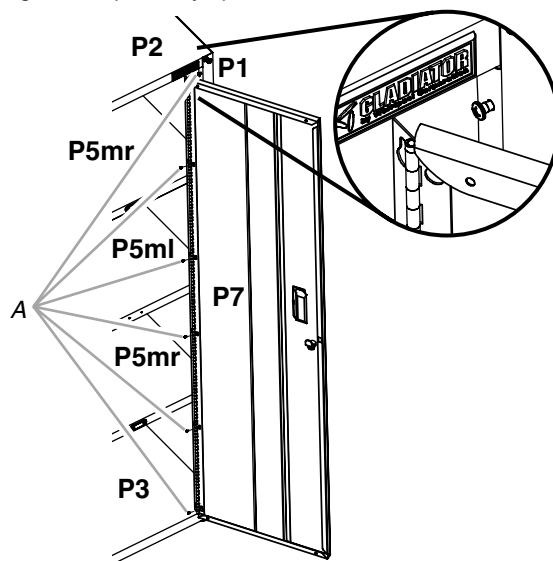


F3c

Tornillos de cabeza Phillips (12)

### IMPORTANTE:

- La puerta que tiene el ensamblaje de traba (P7) deberá instalarse en el lado derecho del armario.
  - Las bisagras de la puerta se han diseñado con ranuras en forma de bocallaves en la parte superior e inferior, de modo que la puerta cuelge en el armario mientras usted coloca los tornillos.
1. Empiece colocando tornillos de cabeza Phillips (F3c) en los orificios en la parte superior e inferior, en cada lado del armario.
  2. Cuelgue la puerta del lado derecho (P7) de los tornillos superiores e inferiores y apriételes a mano.
  3. Inserte los cuatro tornillos del medio en el armario, a través de la bisagra de la puerta, y apriételes a mano.



A. Tornillos de cabeza Phillips

4. Repita los pasos 2 y 3 para sujetar la puerta izquierda (P6).
5. Alinee las puertas y apriete los tornillos de las puertas por completo.

## Complete el ensamblaje

1. Asegúrese de que haya un perno o un tornillo en cada orificio del marco del armario.
2. Mueva el armario a su ubicación final.
3. Coloque un nivel en un estante interior y, si es necesario, nivele el armario ajustando la altura de las patas niveladoras. Gire hacia la izquierda para levantar la pata niveladora o hacia la derecha para bajarla.
4. Si las puertas no están alineadas, afloje todos los tornillos que sujetan la bisagra de la puerta al armario.
5. Ajuste la puerta a la altura deseada y apriete completamente los tornillos.

# INSTRUCCIONES DE INSTALACIÓN

## ⚠️ ADVERTENCIA

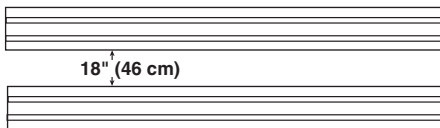
### Peligro de Peso Excesivo

Use dos o más personas para mover, ensamblar o instalar el armario.

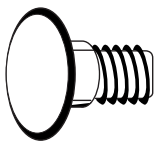
No seguir esta instrucción puede ocasionar una lesión en la espalda u otro tipo de lesiones.

### IMPORTANTE:

- El armario gigante de alta calidad de la marca Gladiator ha sido diseñado para ser instalado sobre los paneles GearWall® o los canales GearTrack® de Gladiator.
- Si se van a utilizar los canales GearTrack® como soporte para el armario gigante de alta calidad de Gladiator®, deberá usar tres canales instalados a una distancia de 18" (45,72 cm), uno del otro.
- Asegúrese de que los paneles GearWall® o los canales GearTrack® estén instalados con tornillos de montaje en cada ranura y en cada ubicación de los montantes, con una distancia máxima horizontal de 24" (60,96 cm) entre los tornillos.

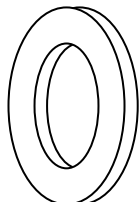


### Ajuste los soportes de montaje



F7

F7 Perno de carruaje (9)



F8

F8 Arandela (9)

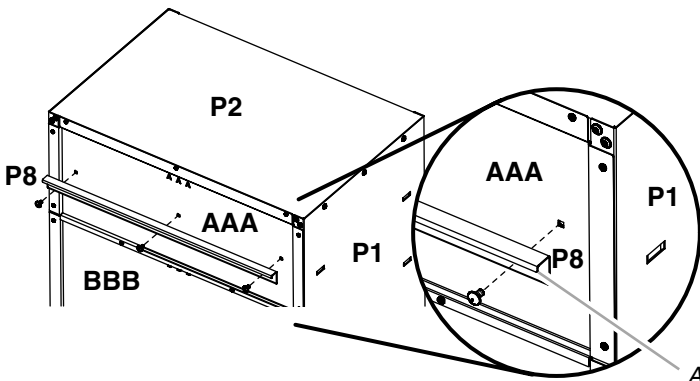


F2

F2 Tuerca de reborde de 5/8" (9)

**IMPORTANTE:** Los paneles posteriores (AAA, CCC y DDD) tienen ranuras para ajustar los soportes de montaje (P8).

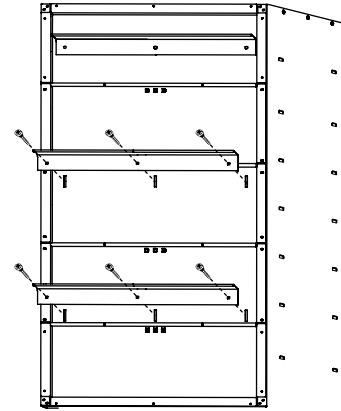
- Con el borde del soporte de montaje apuntando hacia abajo, alinee los tres orificios del soporte con las ranuras en el panel posterior (AAA), como se muestra.
- Empezando por la parte posterior, inserte los pernos de carruaje (F7) a través del soporte y el panel posterior superior (AAA).
- Empezando por el interior del armario, ajuste cada perno con una arandela (F8) y una tuerca de reborde (F2). Ajuste firmemente los pernos.



A. Bordes del soporte apuntando hacia abajo

- Repita los pasos 1 y 2 para ajustar los soportes de montaje central e inferior (P8) a la parte posterior del armario.

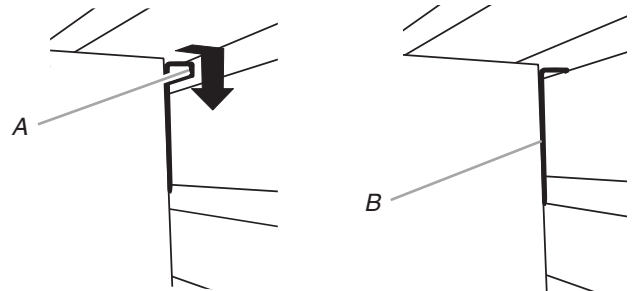
**NOTA:** Apriete las tuercas con la mano ajustando los soportes central e inferior. Se deberá ajustar estos soportes para montar el armario a la pared.



### Instale el armario en los paneles GearWall® o en el canal GearTrack®

**NOTA:** Las tres tuercas en los soportes de montaje central e inferior deben estar lo suficientemente sueltas para permitir que los soportes se muevan en las ranuras.

- Cierre las puertas del armario.
- Determine la ubicación para el montaje del armario en los paneles GearWall® o el canal GearTrack®.
- Con la ayuda de dos o más personas, acople el soporte superior (P8) en las ranuras levantando, empujando hacia la pared y bajando los bordes de soporte dentro de las ranuras como se muestra.
- Asegúrese de que el soporte superior esté acoplado completamente en las ranuras como se muestra.



A. Borde del soporte

B. Soporte de montaje completamente acoplado

- Abra las puertas del armario.
- Desde el interior del armario, agarre los pernos en el soporte central y ajuste el soporte hasta que se alinee con la ranura en los paneles GearWall® o los canales GearTrack®.
- Empuje el armario hacia la pared y baje el soporte de montaje central dentro de las ranuras.
- Asegúrese de que el soporte central (P8) esté completamente acoplado en la ranura, como se muestra.
- Repita el procedimiento para el soporte inferior (P8).
- Con una llave de 1/2", apriete completamente las tuercas que ajustan los soportes central e inferior.

# GARANTÍA DEL ARMARIO GIGANTE DE ALTA CALIDAD DE GLADIATOR® GARAGEWORKS

## GARANTÍA LIMITADA DE POR VIDA

Durante la vida útil del producto, siempre y cuando se dé al armario gigante de alta calidad un uso y mantenimiento de conformidad con las instrucciones adjuntas o provistas con el producto, Gladiator® GarageWorks pagará por el reemplazo o la reparación del producto o las piezas defectuosos para corregir defectos en los materiales o en la mano de obra.

### Gladiator® GarageWorks no pagará por:

1. Visitas de servicio técnico para corregir la instalación de cualquier producto de Gladiator® GarageWorks o para enseñarle a usarlo o instalarlo.
2. Daños causados por mal manejo o envío de productos, productos dañados por accidente, uso indebido, abuso, incendio, inundación, instalación incorrecta, actos fortuitos, negligencia, corrosión, modificación o maltrato.
3. Costo de envío o flete para entregar productos de repuesto o para devolver productos defectuosos.
4. Reparaciones o reemplazo cuando su producto ha sido empleado para fines ajenos al uso doméstico normal en la casa de una familia tal como uso en un lugar comercial o se haya tratado de alguna manera en contra de las instrucciones de instalación incluidas con el producto.
5. Daños estéticos incluyendo rayaduras, golpes, abolladuras o rajaduras que no afecten la capacidad estructural o de funcionamiento del producto.
6. Piezas o productos de repuesto para los productos Gladiator® GarageWorks que se empleen fuera de los Estados Unidos y Canadá.
7. En Canadá, gastos de viaje o de transporte para clientes que residen en zonas distantes.
8. Cualquier gasto de mano de obra durante el período de la garantía limitada.
9. Daños causados por la carga indebida que exceda del peso máximo especificado que se detalla en las instrucciones de ensamblaje provistas con el producto, incluyendo la sobrecarga de ganchos, canastas, estantes, armarios y otros accesorios de Gladiator® GarageWorks usados con este producto.
10. Superficies dañadas debido a la interacción química que dé como resultado la corrosión de pintura o de metal.
11. Mecanismo de traba o llaves de reemplazo.
12. Pérdida del contenido del producto debida a robo, incendio, inundación, accidente o actos fortuitos.

## EXCLUSIÓN DE GARANTÍAS IMPLÍCITAS; LIMITACIÓN DE RECURSOS

LAS GARANTÍAS IMPLÍCITAS, INCLUYENDO EN LA MEDIDA QUE CORRESPONDA LAS GARANTÍAS DE COMERCIABILIDAD O DE CAPACIDAD PARA UN PROPÓSITO PARTICULAR, SON EXCLUIDAS EN LA MEDIDA EN QUE SEA LEGALMENTE PERMISIBLE. TODA GARANTÍA QUE SEA IMPUESTA POR LEY SERÁ LIMITADA A UN AÑO O AL PERÍODO MÁS CORTO PERMITIDO POR LEY. ALGUNOS ESTADOS Y PROVINCIAS NO PERMITEN LAS LIMITACIONES O EXCLUSIONES ACERCA DE CUÁNTO DEBE DURAR UNA GARANTÍA IMPLÍCITA DE COMERCIABILIDAD O CAPACIDAD, DE MODO QUE LAS LIMITACIONES O EXCLUSIONES ARRIBA MENCIONADAS PUEDEN NO APLICARSE EN SU CASO. ESTA GARANTÍA LE OTORGA DERECHOS LEGALES ESPECÍFICOS Y ES POSIBLE QUE USTED TENGA TAMBIÉN OTROS DERECHOS QUE PUEDEN VARIAR DE UN ESTADO A OTRO O DE UNA PROVINCIA A OTRA.

Esta garantía no tiene vigor fuera de los cincuenta Estados Unidos y Canadá. Póngase en contacto con el distribuidor autorizado de Gladiator® GarageWorks para determinar si corresponde otra garantía.

Si necesita servicio, llame al Centro para la eXperiencia del cliente de Gladiator® GarageWorks, **1-866-342-4089** (gratuito), desde cualquier lugar de los EE.UU. En Canadá, póngase en contacto con su compañía de servicio designada por Whirlpool Canada LP o llame al **1-800-807-6777**.

En los Estados Unidos, Gladiator® GarageWorks significa Whirlpool Corporation, Benton Harbor, Michigan 49022. En Canadá, Gladiator® GarageWorks significa Whirlpool Canada LP, Mississauga, ON L5N 3A7.

5/07

**Guarde este libro y su comprobante de compra juntos para referencia futura. Usted deberá proporcionar el comprobante de la compra o una fecha de instalación para obtener servicio bajo la garantía.**

Escriba la siguiente información acerca del armario gigante de alta calidad para ayudarle mejor a obtener asistencia o servicio técnico si alguna vez llegara a necesitarlo. Deberá tener a mano el número completo del modelo y de la serie. Usted puede encontrar esta información en la etiqueta con el número de modelo y de serie que está ubicada en la parte posterior del producto.

Nombre del distribuidor \_\_\_\_\_

Dirección \_\_\_\_\_

Número de teléfono \_\_\_\_\_

Número de modelo \_\_\_\_\_

Número de serie \_\_\_\_\_

Fecha de compra \_\_\_\_\_

# SÉCURITÉ DE L'ARMOIRE

## Votre sécurité et celle des autres est très importante.

Nous donnons de nombreux messages de sécurité importants dans ce manuel et sur votre appareil ménager. Assurez-vous de toujours lire tous les messages de sécurité et de vous y conformer.



Voici le symbole d'alerte de sécurité.

Ce symbole d'alerte de sécurité vous signale les dangers potentiels de décès et de blessures graves à vous et à d'autres.

Tous les messages de sécurité suivront le symbole d'alerte de sécurité et le mot "DANGER" ou "AVERTISSEMENT". Ces mots signifient :

**⚠ DANGER**

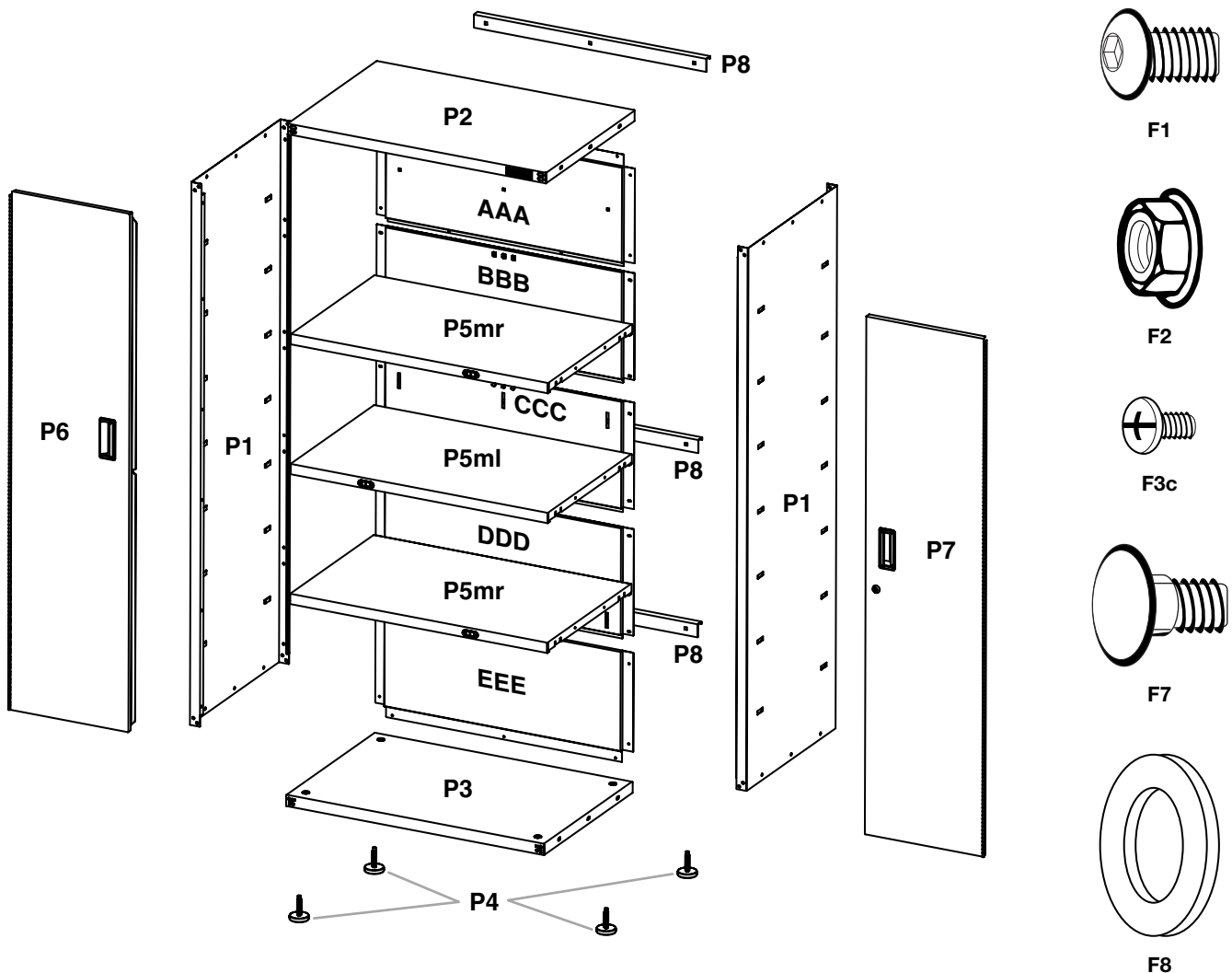
Risque possible de décès ou de blessure grave si vous ne suivez pas immédiatement les instructions.

**⚠ AVERTISSEMENT**

Risque possible de décès ou de blessure grave si vous ne suivez pas les instructions.

Tous les messages de sécurité vous diront quel est le danger potentiel et vous disent comment réduire le risque de blessure et ce qui peut se produire en cas de non-respect des instructions.

## PIÈCES



# INSTRUCTIONS D'ASSEMBLAGE

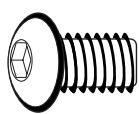
## Spécifications d'utilisation de l'armoire

- Le produit est conçu pour l'utilisation dans un garage.
- Charge maximale de 50 lb (22,7 kg) par étagère.
- Charge maximale de 300 lb (136 kg) pour l'armoire.

## Déballage des pièces de l'armoire

1. Retirer le contenu; vérifier la présence de toutes les pièces. Le contenu inclut une clé hexagonale, une clé de serrure, ainsi que toutes les pièces et attaches illustrées dans la section "Pièces".
2. Jeter/recycler tous les matériaux d'emballage.

## Assemblage de l'armoire



F1

F1 Vis hexagonale de 5/16" (28)



F2

F2 Écrou à embase de 5/16" (12)

Rassembler les outils nécessaires avant de commencer l'installation.

### Outillage nécessaire :

- Clé de 1/2"
- Niveau
- Tournevis Phillips

### Outils fournis :

- Clé hexagonale
- Clé de serrure

## ⚠ AVERTISSEMENT

### Risque du poids excessif

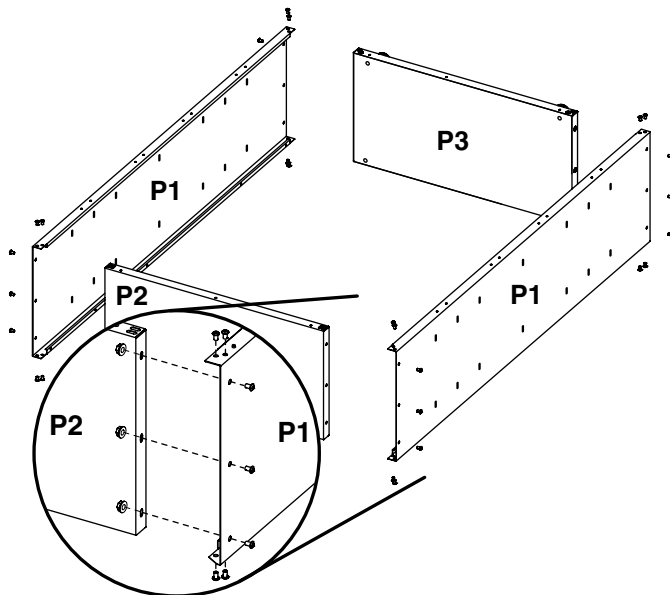
Utiliser deux ou plus de personnes pour déplacer, assembler, ou installer l'armoire.

Le non-respect de cette instruction peut causer une blessure au dos ou d'autre blessure.

### IMPORTANT :

- La participation de deux personnes peut être nécessaire pour l'assemblage.
  - Lors de l'assemblage de l'armoire, veiller à orienter les rives comportant les trous vers le haut.
  - Si l'assemblage de l'armoire est effectué sur le sol, serrer les huit boulons des angles avant (deux dans chaque angle) après avoir redressé l'armoire verticalement.
1. Placer un panneau latéral (P1) sur une surface ferme plane; la rive comportant des trous doit être orientée vers le haut - voir l'illustration.
  2. Insérer le panneau supérieur (P2) entre les rives du panneau latéral (P1).  
**REMARQUE :** Les rives comportant des trous doivent être orientées vers le haut.
  3. Aligner les trous; connecter le panneau du sommet (P2) avec le panneau latéral (P1) - utiliser les trois vis hexagonales (F1) et les trois écrous à embase de 5/16" (F2) - voir l'illustration. Ne pas serrer complètement.
  4. Positionner l'autre panneau latéral (P1); ses rives doivent prendre prise sur le panneau du sommet (P2).

5. Aligner les trous; connecter le panneau du sommet (P2) avec le panneau latéral (P1) - utiliser les trois vis hexagonales (F1) et les trois écrous à embase de 5/16" (F2) - voir l'illustration. Ne pas serrer complètement.
6. Insérer le panneau du bas (P3) entre les rives des panneaux latéraux (P1).  
**REMARQUE :** Les rives comportant des trous doivent être orientées vers le haut.
7. Aligner les trous; connecter le panneau du bas (P3) avec les panneaux latéraux (P1) - utiliser des vis hexagonales (F1) et les trois écrous à embase de 5/16" (F2). Ne pas serrer complètement.



## Fixation des panneaux arrière



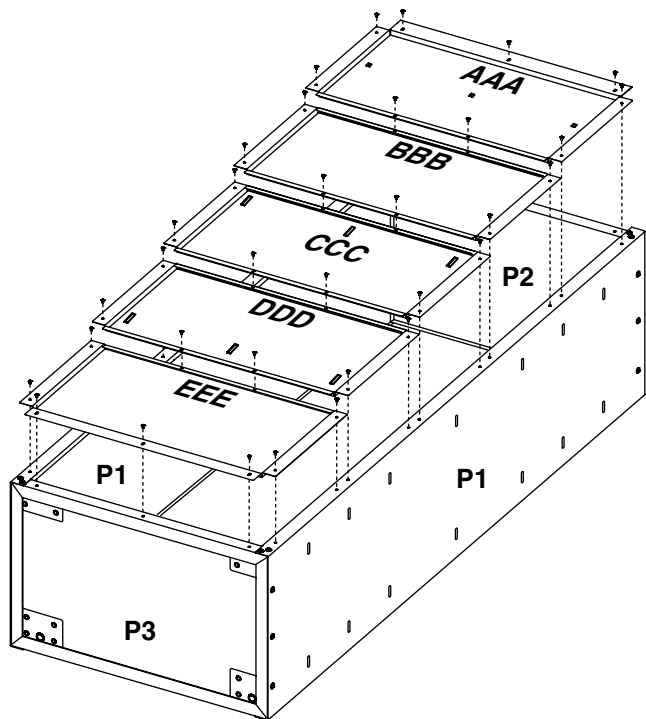
F3c

Vis Phillips (34)

### IMPORTANT :

- Fixer les panneaux arrière en partant du haut de l'armoire avec le panneau arrière (AAA) et en travaillant vers le bas de l'armoire. Chaque panneau arrière chevauchera le panneau inférieur.
  - Ne pas serrer complètement les vis tant que tous les panneaux arrière ne sont pas en place.
1. Aligner le panneau arrière (AAA) avec les trous du sommet de l'armoire. À l'aide des vis Phillips (F3c), fixer le panneau arrière (AAA) à la partie supérieure et aux côtés de l'armoire.
  2. Faire glisser la partie supérieure du panneau arrière (BBB) sous la partie inférieure du panneau arrière (AAA). À l'aide des vis Phillips, fixer le panneau arrière (BBB) aux côtés de l'armoire.
  3. Répéter l'étape 2 pour les panneaux arrière restants en terminant avec le panneau arrière (EEE).
  4. À l'aide des vis Phillips, fixer chaque panneau arrière au panneau inférieur.  
**REMARQUE :** À l'aide des vis Phillips, fixer le panneau (EEE) au bas de l'armoire (P3).
  5. Serrer complètement toutes les vis du panneau arrière - commencer par les côtés et poursuivre avec le sommet, le milieu de l'armoire et le fond.

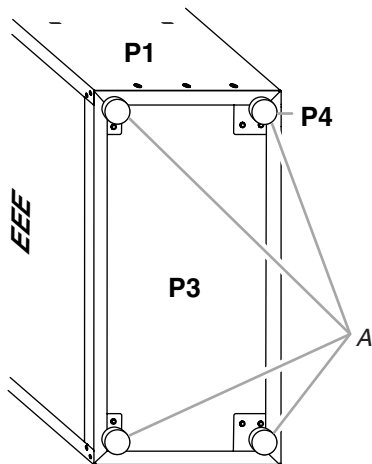
6. À l'aide de la clé hexagonale (fournie), serrer complètement les 28 boulons et écrous de l'armoire.



### Installation des pieds de réglage de l'aplomb (facultatif)

**IMPORTANT :** Si l'armoire doit être installée sur des panneaux Gladiator® GearWall® ou des profilés GearTrack®, il n'est pas nécessaire d'installer les pieds de réglage de l'aplomb.

1. Placer l'armoire en appui sur un côté.
2. Visser un pied de réglage de l'aplomb (P4) dans chacun des quatre écrous situés dans les angles de l'armoire - voir l'illustration.



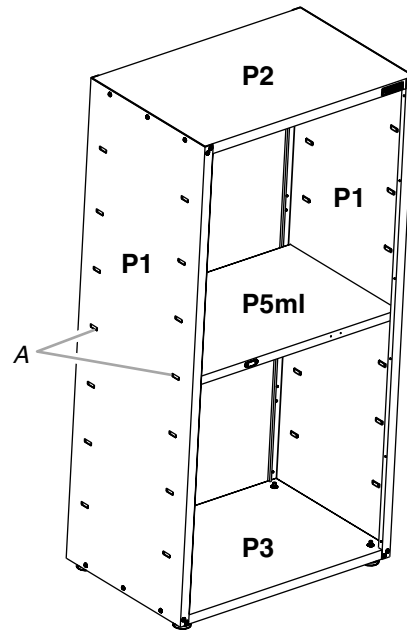
A. Pieds de réglage de l'aplomb

3. Placer l'armoire à la verticale.
4. Si cela n'a pas déjà été fait, serrer les deux boulons dans chaque angle avant du cadre de l'armoire. Bien serrer tous les boulons, vis et écrous de l'armoire.

### Installation des étagères

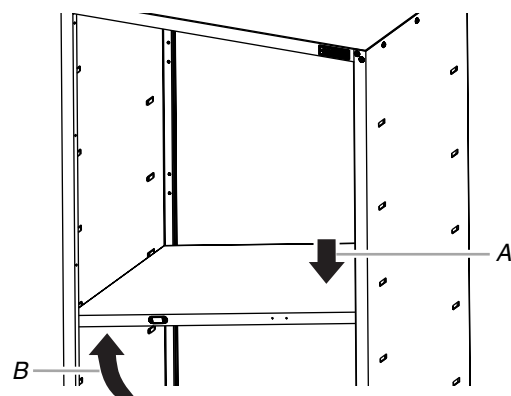
**IMPORTANT :**

- Utiliser les deux encoches situées au milieu des côtés de l'armoire pour installer une étagère centrale (P5ml). L'aimant doit se trouver sur le côté gauche et doit être orienté vers l'extérieur une fois installé, de façon à ce que la porte soit au contact de l'étagère une fois fermée et qu'elle puisse se verrouiller. Les deux autres étagères peuvent être installées où on le souhaite.
  - Les étagères sont soutenues par des encoches métalliques sur les côtés de l'armoire.
  - Veiller à ce que l'aimant de l'étagère (P5ml) soit visible sur le côté gauche et soit orienté vers l'extérieur, tel qu'illustré ci-dessous.
1. Positionner l'étagère (P5ml) pour aligner les pattes aux extrémités de l'étagère avec les encoches au milieu des côtés de l'armoire.



A. Paires d'encoches intermédiaires sur le côté de l'armoire

2. Incliner l'étagère de façon à ce qu'une extrémité soit plus haute que l'autre - voir l'illustration.

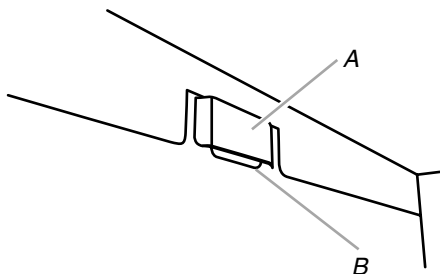


A. Pousser vers le bas  
B. Soulever



3. Insérer l'étagère dans l'armoire de façon à ce que l'extrémité la plus haute se trouve directement au-dessus des encoches souhaitées et installer l'étagère en l'enfonçant derrière les encoches latérales. Soulever l'extrémité la plus basse de façon à ce qu'elle se trouve directement au-dessus des encoches souhaitées et appuyer sur l'étagère.

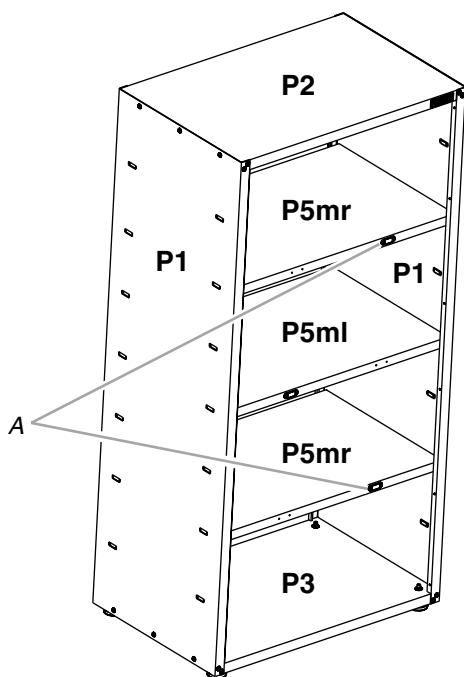
**REMARQUE :** Il peut être nécessaire d'écartier légèrement les pattes d'accrochage vers l'extérieur pour qu'elles s'engagent dans les encoches. Veiller à placer correctement les pattes des étagères derrière les encoches - voir l'illustration.



A. Encoche d'accrochage  
B. Patte d'accrochage de l'étagère

4. Répéter les étapes 2 et 3 pour les deux étagères restantes (P5mr). Les aimants des étagères (P5mr) se trouvent sur le côté droit et sont orientés vers l'extérieur tel qu'illustré.

**REMARQUE :** S'assurer que l'aimant situé du côté droit de chaque grande étagère est bien orienté vers l'extérieur..



A. Aimant orienté vers l'extérieur

## Installation des portes

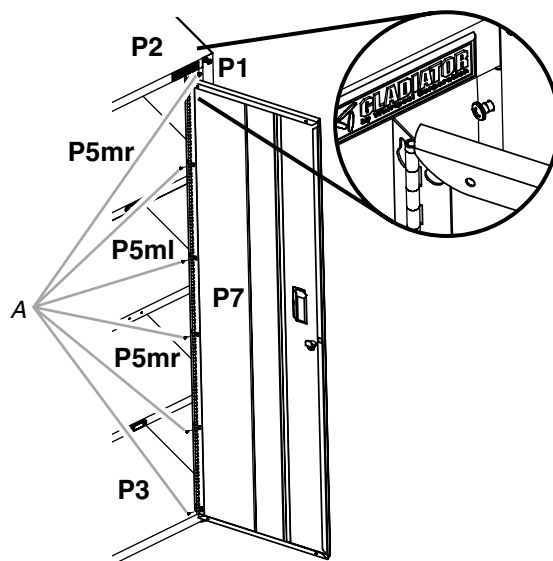


F3c

Vis Phillips (12)

### IMPORTANT:

- On doit installer la porte comportant le mécanisme de verrouillage (P7) sur le côté droit de l'armoire.
  - Les charnières de porte sont conçues avec les trous allongés en haut et en bas de façon à ce que la porte soit suspendue à l'armoire pendant que l'on serre les vis.
1. Engager les vis Phillips (F3c) dans les trous supérieurs et inférieurs de chaque côté de l'armoire.
  2. Suspendre la porte de droite (P7) aux vis supérieures et inférieures puis serrer à la main.
  3. Insérer les quatre vis du milieu dans la charnière de porte, dans l'armoire, puis serrer à la main.



A. Vis Phillips

4. Répéter les étapes 2 et 3 pour installer la porte de gauche (P6).
5. Aligner les portes et serrer complètement les vis.

## Fin de l'assemblage

1. Vérifier la présence d'une vis ou d'un boulon dans chaque trou du cadre de l'armoire.
2. Déplacer l'armoire jusqu'à son emplacement d'installation final.
3. Placer un niveau sur l'étagère interne; si nécessaire, ajuster la longueur de déploiement des pieds de réglage de l'aplomb pour établir l'aplomb de l'armoire. Tourner les pieds vers la gauche pour soulever ou vers la droite pour abaisser le pied de réglage de l'aplomb.
4. Si les portes ne sont pas alignées, desserrer les vis fixant la charnière sur l'armoire.
5. Ajuster la position de la porte à la hauteur désirée et resserrer complètement les vis.

## Réglage des étagères

1. Soulever l'étagère par dessous pour dégager les pattes d'accrochage des encoches.
2. Incliner l'étagère pour pouvoir la placer à sa nouvelle position dans l'armoire ou pour pouvoir l'extraire de l'armoire.

# INSTRUCTIONS D'INSTALLATION

## ⚠ AVERTISSEMENT

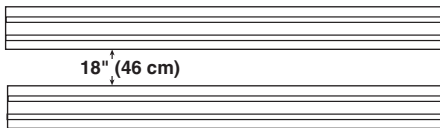
### Risque du poids excessif

Utiliser deux ou plus de personnes pour déplacer, assembler, ou installer l'armoire.

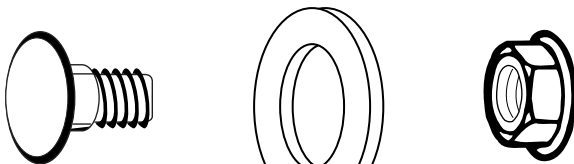
Le non-respect de cette instruction peut causer une blessure au dos ou d'autre blessure.

### IMPORTANT :

- La grande armoire Gladiator de qualité supérieure est conçue pour être installée sur des panneaux Gladiator® GearWall® ou des profilés GearTrack®.
- Si des profilés GearTrack® sont utilisés pour supporter la grande armoire à outils Gladiator® de qualité supérieure, vous devez utiliser trois profilés installés à 18" (45,72 cm) l'un de l'autre.
- Vérifier que les panneaux GearWall® ou profilé GearTrack® sont installés avec des vis de montage dans chaque encoche et au niveau de chaque poteau de colombage mural, avec espacement maximum de 24" (60,96 cm) horizontalement entre les vis.



### Fixation des tringles de montage



F7

F8

F2

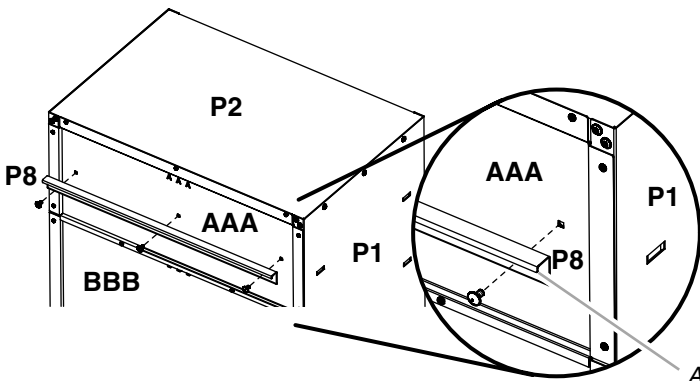
F7 Boulon de carrosserie (9)

F2 Écrou à embase de 3/16" (9)

F8 Rondelle (9)

**IMPORTANT :** Les encoches situées sur les panneaux arrière (AAA, CCC et DDD) permettent de fixer les tringles de montage (P8).

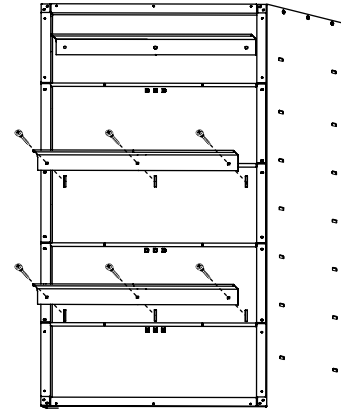
1. Avec l'anneau de la tringle orienté vers le bas, aligner les trois trous de la tringle avec les encoches situées dans le panneau arrière (AAA), tel qu'illustré.
2. En partant de l'arrière, insérer les boulons de carrosserie (F7) à travers la tringle et le haut du panneau arrière (AAA).
3. En partant de l'intérieur, fixer chaque boulon avec une rondelle (F8) et un écrou à embase (F2). Bien serrer chaque boulon.



A. Anneaux de la tringle orientés vers le bas

4. Répéter les étapes 1 et 2 pour fixer les tringles de montage inférieure et centrale à l'arrière de l'armoire.

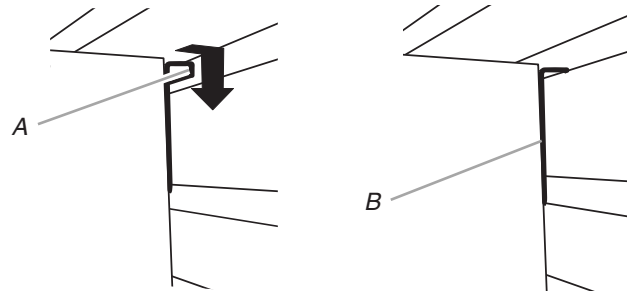
**REMARQUE :** Serrer manuellement les écrous pour fixer les tringles centrale et inférieure. Ces tringles devront être ajustées pour installer l'armoire sur le mur.



### Montage de l'armoire sur les panneaux GearWall® ou profilé GearTrack®

**REMARQUE :** Les trois écrous sur les tringles de montage centrale et inférieure doivent être suffisamment lâches pour permettre aux tringles de bouger dans les encoches.

1. Fermer les portes de l'armoire.
2. Déterminer la position de montage de l'armoire sur les panneaux GearWall® ou profilé GearTrack®.
3. Avec la participation de deux personnes ou plus, engager la tringle supérieure (P8) dans les encoches - soulever et pousser vers le mur, puis abaisser pour engager l'anneau de la tringle dans les encoches tel qu'illustré.
4. Vérifier que la tringle supérieure est parfaitement engagée dans les encoches tel qu'illustré.



A. Anneau de la tringle

B. Tringle de montage parfaitement engagée

5. Ouvrir les portes de l'armoire.
6. De l'intérieur de l'armoire, saisir les boulons sur la tringle centrale et ajuster la tringle jusqu'à ce qu'elle s'aligne avec l'encoche dans les panneaux GearWall® ou les profilés GearTrack®.
7. Pousser l'armoire vers le mur et abaisser la tringle de montage centrale dans les encoches.
8. Vérifier que la tringle de montage centrale (P8) est parfaitement engagée dans l'encoche (voir illustration).
9. Répéter l'opération pour la tringle inférieure (P8).
10. À l'aide d'une clef de 1/2", serrer complètement les écrous pour fixer les tringles centrale et inférieure.

# GARANTIE DE LA GRANDE ARMOIRE À OUTILS GLADIATOR® GARAGEWORKS

## GARANTIE LIMITÉE À VIE

Pendant toute la durée de vie du produit, lorsque la grande armoire à outils est utilisée et entretenue conformément aux instructions jointes à ou fournies avec le produit, Gladiator® GarageWorks paiera pour la réparation ou le remplacement du produit ou pièces défectueux pour corriger les vices de matériaux ou de fabrication.

### Gladiator® GarageWorks ne paiera pas pour :

1. Les appels de service pour rectifier l'installation de tout produit Gladiator® GarageWorks ou pour expliquer comment l'utiliser ou l'installer.
2. Les dommages causés par une manipulation ou une expédition des produits incorrecte, ou les produits endommagés par accident, mésusage, abus, incendie, inondation, installation incorrecte, actes de Dieu, négligence, corrosion, modification ou mauvaise manipulation.
3. Les frais d'expédition ou de transport pour livrer des produits de rechange ou retourner des produits défectueux.
4. Les réparations ou remplacements lorsque le produit est utilisé autrement que pour une utilisation normale, unifamiliale, comme dans un environnement commercial ou manipulé d'une façon non conforme aux instructions d'installation fournies avec le produit.
5. Les défauts d'apparence - éraflures, traces de choc ou fissures - n'affectant pas la fonctionnalité ou la résistance structurale du produit.
6. Les pièces ou le produit de rechange pour les produits Gladiator® GarageWorks qui sont utilisés en dehors des États-Unis et du Canada.
7. Au Canada, les frais de déplacement ou de transport pour les clients qui habitent dans des régions éloignées.
8. Tous les frais de main-d'œuvre encourus au cours de la période de garantie limitée.
9. Les dommages causés par un chargement incorrect au-delà de la capacité de poids maximum spécifiée dans les instructions d'assemblage fournies avec le produit, y compris la surcharge de crochets, paniers, étagères, armoires et autres accessoires Gladiator® GarageWorks utilisés avec le produit.
10. Les surfaces endommagées par une interaction chimique causée par la corrosion de la peinture ou du métal.
11. Les clés ou mécanisme de verrouillage de rechange.
12. La perte du contenu du produit due à vol, incendie, inondation, accident ou actes de Dieu.

### CLAUSE D'EXONÉRATION DE RESPONSABILITÉ AU TITRE DES GARANTIES IMPLICITES; LIMITATION DES RECOURS

LES GARANTIES IMPLICITES, Y COMPRIS LES GARANTIES PROLONGÉES APPLICABLES DE QUALITÉ MARCHANDE ET D'APTITUDE À UN USAGE PARTICULIER, SONT EXCLUES DE LA PRÉSENTE GARANTIE, ET CE DANS LES LIMITES AUTORISÉES PAR LA LOI. TOUTE GARANTIE IMPLICITE POUVANT ÊTRE IMPOSÉE PAR LA LOI EST LIMITÉE À UN AN, OU À LA PLUS COURTE PÉRIODE AUTORISÉE PAR LA LOI. CERTAINES JURIDICTIONS NE PERMETTENT PAS LA LIMITATION OU L'EXCLUSION DE LA DURÉE DE VALIDITÉ DES GARANTIES IMPLICITES DE QUALITÉ MARCHANDE OU D'APTITUDE À UN USAGE PARTICULIER; PAR CONSÉQUENT LES LIMITATIONS OU EXCLUSIONS STIPULÉES DANS LES PRÉSENTES PEUVENT NE PAS VOUS ÊTRE APPLICABLES. CETTE GARANTIE VOUS CONFÈRE DES DROITS JURIDIQUES SPÉCIFIQUES ET VOUS POUVEZ ÉGALEMENT JOUIR D'AUTRES DROITS QUI PEUVENT VARIER D'UNE JURIDICTION À UNE AUTRE.

À l'extérieur du Canada et des 50 États des États-Unis, cette garantie ne s'applique pas. Contacter votre marchand Gladiator® GarageWorks autorisé pour déterminer si une autre garantie s'applique.

Si vous avez besoin de service, appelez le Centre pour l'expérience de la clientèle de Gladiator® GarageWorks au **1-866-342-4089** (sans frais), de n'importe où aux É.-U. Au Canada, contactez votre compagnie de service désignée par Whirlpool Canada LP ou composez le **1-800-807-6777**.

Aux États-Unis, Gladiator® GarageWorks correspond à Whirlpool Corporation, Benton Harbor, Michigan 49022. Au Canada, Gladiator® GarageWorks correspond à Whirlpool Canada LP, Mississauga, ON L5N 3A7. 2/09

**Conservez ce manuel et votre reçu de vente pour référence ultérieure. Pour l'entretien sous garantie, vous devez présenter un document prouvant la date d'achat ou d'installation.**

Inscrivez les renseignements suivants au sujet de votre grande armoire à outils pour mieux vous aider à obtenir assistance ou service en cas de besoin. Vous devrez connaître le numéro de modèle et le numéro de série au complet. Vous trouverez ces renseignements sur la plaque signalétique située à l'arrière du produit.

Nom du marchand \_\_\_\_\_

Adresse \_\_\_\_\_

Numéro de téléphone \_\_\_\_\_

Numéro de modèle \_\_\_\_\_

Numéro de série \_\_\_\_\_

Date d'achat \_\_\_\_\_

**W10130911C**

© 2011 Whirlpool Corporation.

All rights reserved.

Todos los derechos reservados.

Tous droits réservés.

© Registered Trademark/TM Trademark of Whirlpool, U.S.A., Whirlpool Canada LP Licensee in Canada

© Marca registrada/TM Marca de comercio de Whirlpool, U.S.A., usada bajo licencia de Whirlpool Canada LP en Canadá

© Marque déposée/TM Marque de commerce de Whirlpool, U.S.A., emploi sous licence par Whirlpool Canada LP au Canada

9/11

Printed in China

Impreso en China

Imprimé en Chine