



**STEEL
MODULAR GEARBOX
FULL-DOOR CABINET**
Assembly Instructions

**ARMARIO MODULAR DE ACERO PARA HERRAMIENTAS,
PARA PARED - PUERTA COMPLETA**

Instrucciones de ensamblaje

ARMOIRE À OUTILS MODULAIRE EN ACIER - PORTE PLEINE

Instructions d'assemblage

TABLE OF CONTENTS/ÍNDICE/TABLE DES MATIÈRES

| | | | | | |
|-----------------------------|---|-----------------------------------|----|---------------------------------|----|
| CABINET/LOCKER SAFETY | 2 | SEGURIDAD DEL ARMARIO | 7 | SÉCURITÉ DE L'ARMOIRE..... | 12 |
| PARTS | 3 | PIEZAS | 8 | PIÈCES | 13 |
| ASSEMBLY INSTRUCTIONS..... | 3 | INSTRUCCIONES DE ENSAMBLAJE | 8 | INSTRUCTIONS D'ASSEMBLAGE | 13 |
| ACCESSORIES | 5 | ACCESORIOS..... | 10 | ACCESSOIRES..... | 15 |
| WARRANTY | 6 | GARANTÍA | 11 | GARANTIE | 16 |

**IT'S TIME TO RETHINK THE GARAGE.®
ES TIEMPO DE VOLVER A PENSAR EN EL GARAGE.™
LE GARAGE REPENSÉ.™**

CABINET/LOCKER SAFETY

Your safety and the safety of others are very important.

We have provided many important safety messages in this manual and on your appliance. Always read and obey all safety messages.



This is the safety alert symbol.

This symbol alerts you to potential hazards that can kill or hurt you and others.

All safety messages will follow the safety alert symbol and either the word "DANGER" or "WARNING."

These words mean:

⚠ DANGER

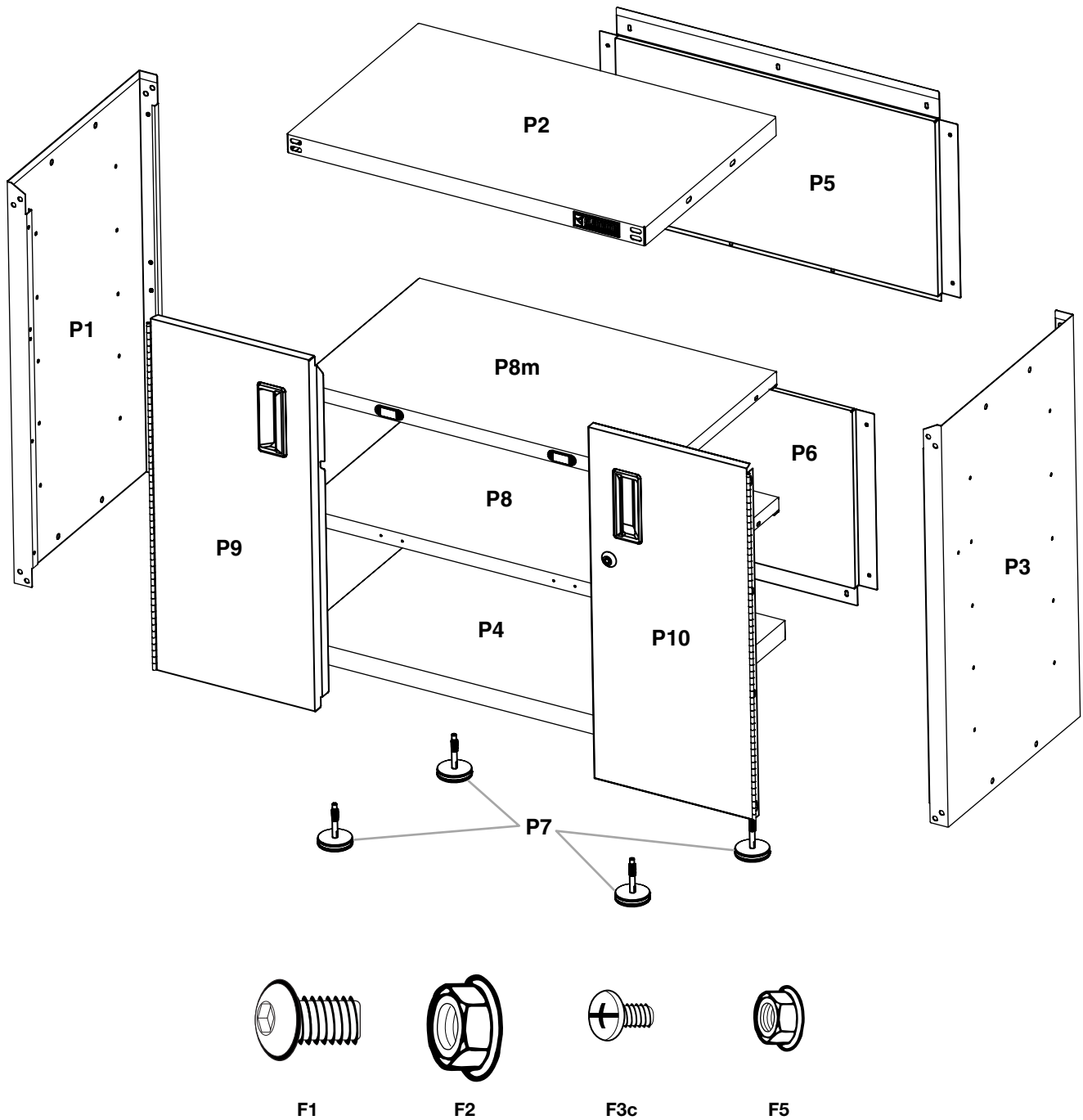
You can be killed or seriously injured if you don't immediately follow instructions.

⚠ WARNING

You can be killed or seriously injured if you don't follow instructions.

All safety messages will tell you what the potential hazard is, tell you how to reduce the chance of injury, and tell you what can happen if the instructions are not followed.

PARTS



ASSEMBLY INSTRUCTIONS

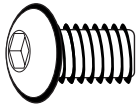
Cabinet Use Requirements

- Intended for use in a garage.
- Maximum weight limit is 45 lbs (20 kg) for each shelf.
- Maximum weight limit is 300 lbs (136 kg) for the cabinet.

Unpack Cabinet Parts

1. Remove and verify the contents. Contents include a hex key wrench, a key, and the parts and fasteners shown in "Parts."
2. Dispose of/recycle all packaging materials.

Assemble Cabinet



F1

F1 5/16" Internal hex head bolt (24)



F2

F2 5/16" Flange nut (8)

Gather the required tools before starting installation.

Tools Needed:

- 1/2" Wrench
- 3/8" Wrench
- 1 1/32" Wrench
- Phillips screwdriver
- Pliers
- Level

Tools Supplied:

- Hex key
- Key

⚠ WARNING

Excessive Weight Hazard

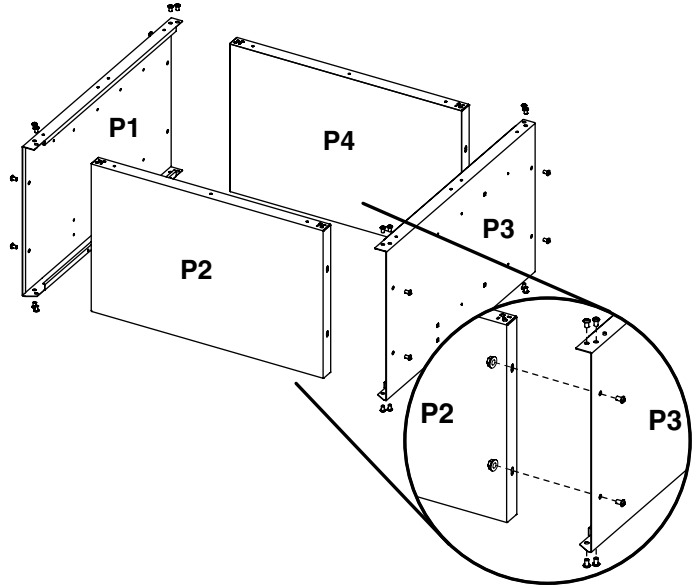
Use two or more people to move, assemble or install cabinet.

Failure to do so can result in back or other injury.

IMPORTANT:

- Two people may be required to complete the assembly.
 - As you assemble the cabinet, make sure the edges with the holes are facing up.
 - If you are assembling the cabinet on the floor, fasten the eight front corner bolts, two at each corner, after you stand the cabinet upright.
1. Place side panel (P1) on a flat, firm surface so that the edge with the holes is facing up as shown.
 2. Insert the cabinet top (P2) between the edges of side panel (P1).
NOTE: Make sure the edges with the holes are facing up.
 3. Align the holes and attach the top (P2) to side panel (P1) using six internal hex head bolts (F1) and two 5/16" flange nuts (F2) for the two middle holes only, as shown. Do not tighten completely.
 4. Position side panel (P3) so that the top (P2) is between the edges of side panel (P3).
 5. Align the holes and attach the top (P2) to the side (P3) using six internal hex head bolts (F1) and two 5/16" flange nuts (F2) for the two middle holes only, as shown. Do not tighten completely.
 6. Insert cabinet bottom (P4) between the edges of side panels (P1 and P3).
NOTE: Make sure the edges with the holes are facing up.

7. Align the holes and attach the bottom (P4) to the side panels (P1 and P3) using six hex-head bolts (F1) and two 5/16" flange nuts (F2) for the two middle holes only, for each side as shown. Do not tighten completely.



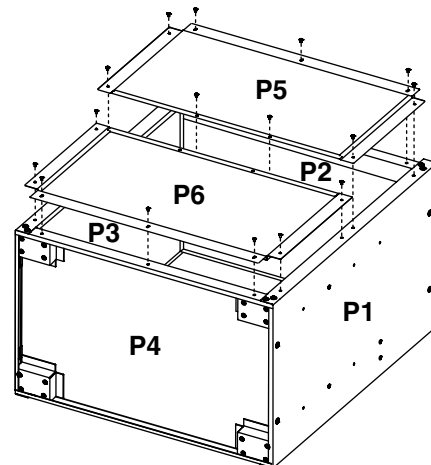
Attach Back Panels



F3c

F3c Phillips-head screw (16 - black)

1. Align lower back panel (P6) with the holes in the cabinet bottom (P4). Using Phillips-head screws (F3c), attach back panel (P6) to the bottom (P4) and sides (P1 and P3) as shown. Do not tighten screws completely.
2. Align upper back panel (P5) with the holes in the cabinet top (P2). Using Phillips-head screws (F3c), attach back panel (P5) to the top (P2) and sides (P1 and P3) as shown. Do not tighten screws completely.
NOTE: Upper back panel (P5) will slightly overlap lower back panel (P6).
3. Using Phillips-head screws (F3c), attach the upper back panel (P5) to the lower back panel (P6) as shown.
4. Completely tighten all back panel screws starting with the sides and continuing with the top, middle, and bottom.



5. Using the hex key (provided), completely tighten all the cabinet bolts and nuts.

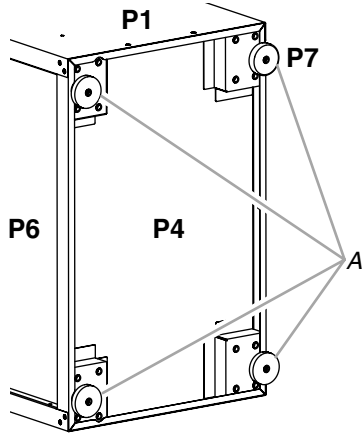
Install Leveling Legs or Casters

The Gladiator® Modular Cabinet is designed to be either stationary or to roll on casters. See "Assesories" to order the caster kit.

IMPORTANT: If you decide to install the casters on the cabinet, see the installation instructions included with the caster kit (provided).

To install leveling legs:

1. Place the cabinet on its side.
2. Screw a leveling leg (P7) into each of the four rivet nuts located at the corners of the cabinet as shown.



A. Leveling legs

3. Stand the cabinet upright.
4. If you have not already, fasten the two bolts at each front corner, of the cabinet frame. Completely tighten all the cabinet bolts and nuts.

Install Shelves



F3c

F3c Phillips-head screw (8 - black)

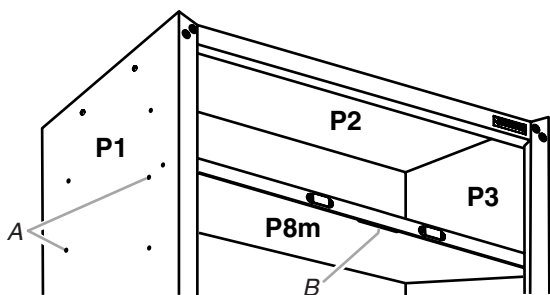


F5

F5 Small flange nut (8)

IMPORTANT:

- Install shelf (P8m) in the cabinet so that the long edge with magnets is facing the cabinet front.
 - Use the pair of holes indicated to install shelf (P8m), so the doors will lock.
 - Shelf (P8) may be installed using any of the other pairs of holes in the cabinet sides.
1. Align the holes in the shelf with the pair of holes shown.
 2. Using Phillips-head screws (F3c) and small flange nuts (F5) per side, fasten shelf (P8m) to the cabinet sides (P1 and P3).



A. Holes for installing shelf
B. Slot in shelf for lock

3. Place shelf (P8) so that the holes in the ends are aligned with the desired set of holes in the cabinet sides (P1 and P3).
4. Using Phillips-head screws (F3c) and small flange nuts (F5) per side, fasten the shelf to the cabinet sides (P1 and P3).

Install Doors

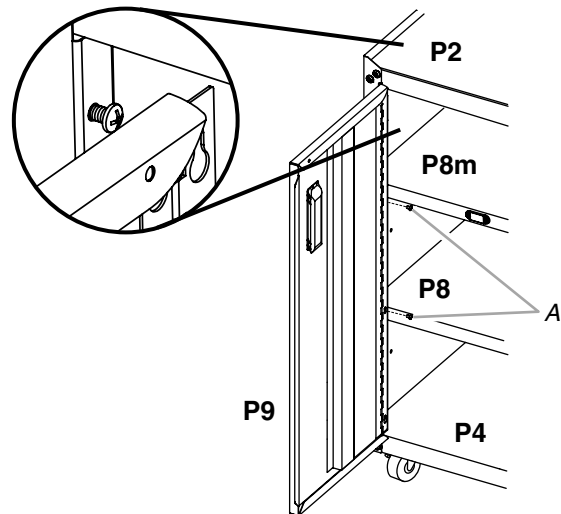


F3c

F3c Phillips-head screw (8 - black)

The door hinges are designed with keyhole slots at the top and bottom so the door will hang on the cabinet while you are fastening the screws.

1. Start Phillips-head screws (F3c) in both the top and bottom holes on each side of the cabinet.
2. Hang the right-hand side door (P10) from the top and bottom screws, and hand tighten.
3. Insert the middle two screws through the door hinge into the cabinet and hand tighten.



A. Phillips-head screws (F3c)

4. Repeat steps 2 and 3 to attach the left-hand door (P9).
5. Align the doors and completely tighten the screws.

Complete the Assembly

1. Make sure there is a bolt or screw in each hole of the cabinet frame.
2. Move the cabinet to its final location.
3. If the doors are not aligned, loosen all the screws attaching the door hinge to the cabinet.
4. Adjust door to the desired height, and fully tighten the screws.

ACCESSORIES

To order the accessories listed below or to inquire about other available accessories call **1-866-342-4089** or contact your authorized Gladiator brand dealer. In Canada, call **1-800-807-6777**.

Caster Kit

Order Part # GACK04KDSX

VersaTop™ Work Surface

Order Part # GAVT18SPSX

Modular Bamboo Top

Order Part # GAAC28BAYX

GLADIATOR® GARAGEWORKS STEEL MODULAR GEARBOX CABINET WARRANTY

TEN YEAR LIMITED WARRANTY - (GEARBOX ONLY - LABOR NOT INCLUDED)

For ten years from the original date of purchase, when the Steel Modular GearBox Cabinet is installed, used and maintained according to the instructions attached to or furnished with the product, Gladiator® GarageWorks will, at its sole option, provide factory specified replacement parts to correct defects in materials or workmanship that existed when the product was purchased or replace the product (excludes shipping or freight fees). If replaced, your product will be covered by the remaining ten-year limited warranty of the original unit.

YOUR SOLE AND EXCLUSIVE REMEDY UNDER THE LIMITED WARRANTY SHALL BE PRODUCT REPAIR OR REPLACEMENT AT OUR DISCRETION AS PROVIDED HEREIN. This limited warranty is valid in the United States and Canada and applies only when the product is used in the country in which it was purchased. This limited warranty is effective from the date of the original consumer purchase. Proof of original purchase date is required to obtain service or replacement under this limited warranty.

ITEMS EXCLUDED FROM WARRANTY

This limited warranty does not cover:

1. In-home service including, but not limited to, service calls to correct the installation of any Gladiator® GarageWorks products or to instruct you on how to use or install them.
2. Damage resulting from improper handling or shipping of products, or products damaged by accident, alteration, misuse, abuse, fire, flood, improper installation, acts of God, neglect, corrosion, modification or mishandling.
3. All travel, transportation, shipping or freight fees to deliver replacement products or to return defective products.
4. Factory specified replacement parts or product replacement when your product is used in other than normal, single-family household use, such as a commercial environment or handled in a manner contrary to published user or operator instructions and/or installation instructions.
5. Cosmetic damage including scratches, dings, dents or cracks that do not affect the structural or functional capability of the product.
6. Any labor costs during the limited warranty period.
7. Damage resulting from improper loading beyond the specified maximum weight capacity outlined in the assembly instructions provided with the product, including overloading of hooks, baskets, shelves, cabinets, and other Gladiator® GarageWorks accessories used with the product.
8. Surfaces damaged due to chemical interaction resulting in corrosion of paint or metal.
9. Replacement keys or locking mechanism.

The cost of repair or replacement under these excluded circumstances shall be borne by the customer.

DISCLAIMER OF IMPLIED WARRANTIES

IMPLIED WARRANTIES, INCLUDING ANY IMPLIED WARRANTY OF MERCHANTABILITY OR IMPLIED WARRANTY OF FITNESS FOR A PARTICULAR PURPOSE, ARE LIMITED TO ONE YEAR OR THE SHORTEST PERIOD ALLOWED BY LAW. Some states and provinces do not allow limitations on the duration of implied warranties of merchantability or fitness, so this limitation may not apply to you. This warranty gives you specific legal rights, and you also may have other rights that vary from state to state or province to province.

LIMITATION OF REMEDIES; EXCLUSION OF INCIDENTAL AND CONSEQUENTIAL DAMAGES

YOUR SOLE AND EXCLUSIVE REMEDY UNDER THIS LIMITED WARRANTY SHALL BE PRODUCT REPAIR AS PROVIDED HEREIN. GLADIATOR® GARAGEWORKS SHALL NOT BE LIABLE FOR INCIDENTAL OR CONSEQUENTIAL DAMAGES. Some states and provinces do not allow the exclusion or limitation of incidental or consequential damages, so these limitations and exclusions may not apply to you. This warranty gives you specific legal rights, and you also may have other rights that vary from state to state or province to province.

Outside the 50 United States and Canada, this warranty does not apply. Contact your authorized Gladiator® GarageWorks dealer to determine if another warranty applies.

If you need service, call the Gladiator® GarageWorks Customer eXperience Center, **1-866-342-4089** (toll-free), from anywhere in the U.S.A. In Canada, contact your Whirlpool Canada LP designated service company or call **1-800-807-6777**.

In the United States, Gladiator® GarageWorks means Whirlpool Corporation, Benton Harbor, Michigan 49022. In Canada, Gladiator® GarageWorks means Whirlpool Canada LP, Mississauga, ON L5N 3A7.

9/11

Keep this book and your sales slip together for future reference. You must provide proof of purchase or installation date for in-warranty service.

Write down the following information about your Steel Modular GearBox Cabinet to better help you obtain assistance or service if you ever need it. You will need to know your complete model number and serial number. You can find this information on the model and serial label located on the back of the product.

Dealer name _____
Address _____
Phone number _____
Model number _____
Serial number _____
Purchase date _____

SEGURIDAD DEL ARMARIO

Su seguridad y la seguridad de los demás es muy importante.

Hemos incluido muchos mensajes importantes de seguridad en este manual y en su electrodoméstico. Lea y obedezca siempre todos los mensajes de seguridad.



Este es el símbolo de advertencia de seguridad.

Este símbolo le llama la atención sobre peligros potenciales que pueden ocasionar la muerte o una lesión a usted y a los demás.

Todos los mensajes de seguridad irán a continuación del símbolo de advertencia de seguridad y de la palabra "PELIGRO" o "ADVERTENCIA". Estas palabras significan:

 **PELIGRO**

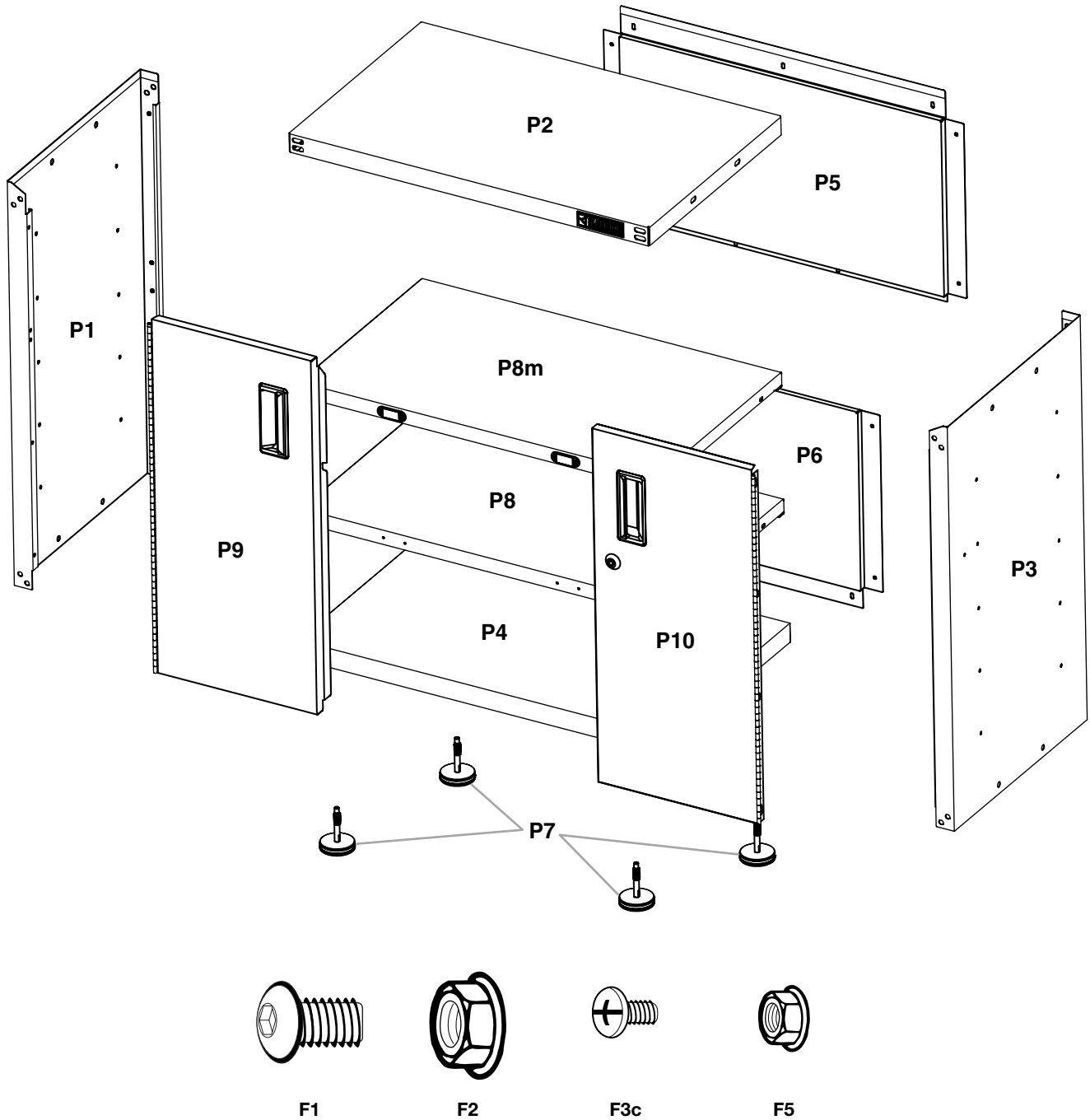
Si no sigue las instrucciones de inmediato, usted puede morir o sufrir una lesión grave.

 **ADVERTENCIA**

Si no sigue las instrucciones, usted puede morir o sufrir una lesión grave.

Todos los mensajes de seguridad le dirán el peligro potencial, le dirán cómo reducir las posibilidades de sufrir una lesión y lo que puede suceder si no se siguen las instrucciones.

PIEZAS



INSTRUCCIONES DE ENSAMBLAJE

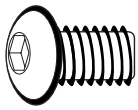
Requisitos de uso del armario

- Diseñado para usarse en un garage.
- El límite de peso máximo es de 45 lbs (20 kg) para cada estante.
- El límite de peso máximo es de 300 lbs (136 kg) para el armario.

Desempaque las piezas del armario

1. Quite y verifique el contenido. Se incluye una llave hexagonal, una llave y las piezas y sujetadores que se muestran en "Piezas".
2. Deshágase de todos los materiales de embalaje o reciclelos.

Ensamble el armario



F1

F1 Perno con cabeza hembra hexagonal de $\frac{5}{16}$ " (24)



F2

F2 Tuerca de reborde de $\frac{5}{16}$ " (8)

Reúna las herramientas necesarias antes de comenzar la instalación.

Herramientas necesarias:

- Llave de tuercas de $\frac{1}{2}$ "
- Llave de tuercas de $\frac{3}{8}$ "
- Llave de tuercas de $\frac{11}{32}$ "
- Destornillador Phillips
- Pinzas
- Nivel

Herramientas suministradas:

- Llave hexagonal
- Llave

⚠ ADVERTENCIA

Peligro de Peso Excesivo

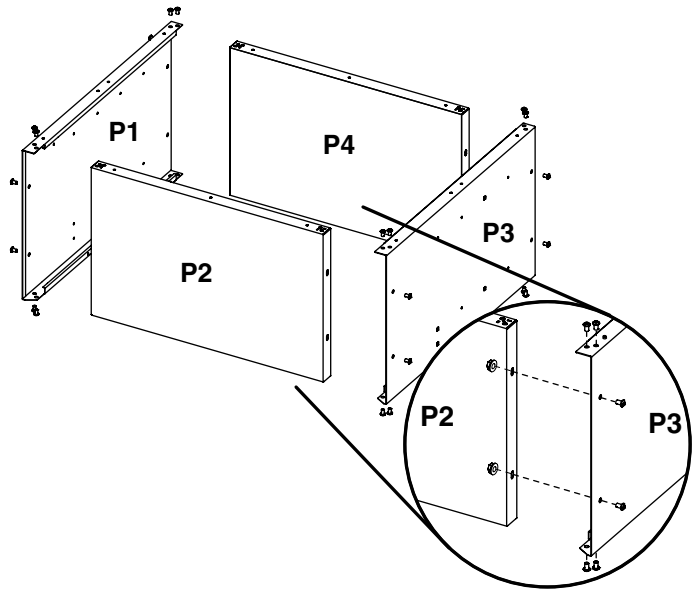
Use dos o más personas para mover, ensamblar o instalar el armario.

No seguir esta instrucción puede ocasionar una lesión en la espalda u otro tipo de lesiones.

IMPORTANTE:

- Tal vez se necesiten dos personas para completar el ensamblaje.
 - A medida que ensambla el armario, asegúrese de que los bordes con orificios estén mirando hacia arriba.
 - Si usted está ensamblando el armario sobre el piso, ajuste los ocho pernos frontales de la esquina, dos en cada esquina, después de poner el armario en posición vertical.
1. Coloque el panel lateral (P1) sobre una superficie plana y firme de manera que el extremo con orificios quede mirando hacia arriba, como se muestra.
 2. Inserte la parte superior del armario (P2) entre los extremos del panel lateral (P1).
NOTA: Asegúrese de que los bordes con orificios estén mirando hacia arriba.
 3. Alinee los orificios y sujete la parte superior (P2) al panel lateral (P1) usando seis pernos con cabeza hembra hexagonal (F1) y dos tuercas de reborde de $\frac{5}{16}$ " (F2 solamente para los orificios del medio, como se muestra. No los apriete completamente.
 4. Coloque el panel lateral (P3) de manera que la parte superior del armario (P2) quede entre los extremos del panel lateral (P3).
 5. Alinee los orificios y sujete la parte superior (P2) a la parte lateral (P3) usando seis pernos con cabeza hembra hexagonal (F1) y dos tuercas de reborde de $\frac{5}{16}$ " (F2 solamente para los orificios del medio, como se muestra. No los apriete completamente.
 6. Inserte la parte inferior del armario (P4) entre los bordes de los paneles laterales (P1 y P3).
NOTA: Asegúrese de que los bordes con orificios estén mirando hacia arriba.

7. Alinee los orificios y fije la parte inferior (P4) a los paneles laterales (P1 y P3) usando seis pernos con cabeza hembra hexagonal (F1) y dos tuercas de reborde de $\frac{5}{16}$ " (F2) solamente para los orificios del medio para cada lado, como se muestra. No los apriete completamente.



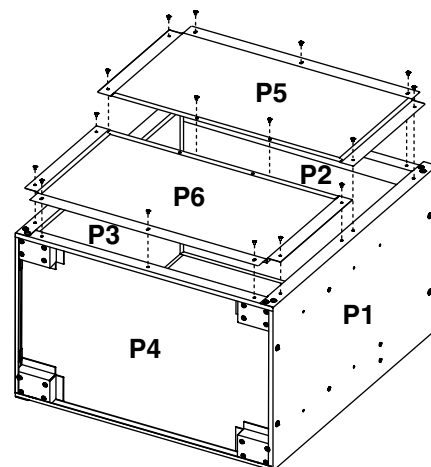
Sujete los paneles posteriores



F3c

F3c Tornillo Phillips (16 - negro)

1. Alinee el panel posterior inferior (P6) con los orificios en la parte inferior del armario (P4). Sujete el panel posterior (P6) a la parte inferior (P4) y a los lados (P1 y P3) usando tornillos Phillips (F3c), como se muestra. No atornille completamente los tornillos.
2. Alinee el panel posterior superior (P5) con los orificios en la parte superior del armario (P2). Sujete el panel posterior (P5) a la parte superior (P2) y los lados (P1 y P3) usando tornillos Phillips (F3c), como se muestra. No apriete completamente los tornillos.
NOTA: El panel posterior superior (P5) va a sobrepasar ligeramente el panel posterior inferior (P6).
3. Sujete el panel posterior superior (P5) al panel posterior inferior (P6) usando tornillos Phillips (F3c), como se muestra.
4. Apriete por completo todos los tornillos del panel posterior, comenzando por los lados y siguiendo por la parte superior, del medio e inferior.



5. Apriete por completo todos los pernos y tuercas del armario con la llave hexagonal (provista).

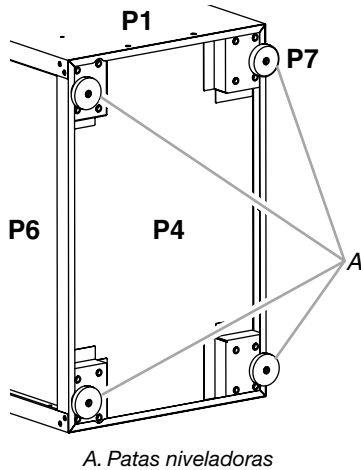
Instalación de las patas niveladoras o ruedecillas

El armario modular Gladiator® ha sido diseñado para estar fijo o para rodar sobre ruedecillas. Vea "Accesorios" para pedir el juego de ruedecillas.

IMPORTANTE: Si decide instalar las ruedecillas en el armario, vea las instrucciones de instalación incluidas con el juego de ruedecillas (provisto).

Para instalar las patas niveladoras:

1. Coloque el armario de costado.
2. Atornille una pata niveladora (P7) en cada una de las cuatro tuercas con remache que están ubicadas en las esquinas del armario, como se muestra.



3. Coloque el armario en posición vertical.
4. Si aún no lo ha hecho, asegure los dos pernos que están en la esquina frontal del marco del armario. Apriete por completo todos los pernos y las tuercas del armario.

Instalación de los estantes



F3c

F3c Tornillo Phillips (8 - negro)



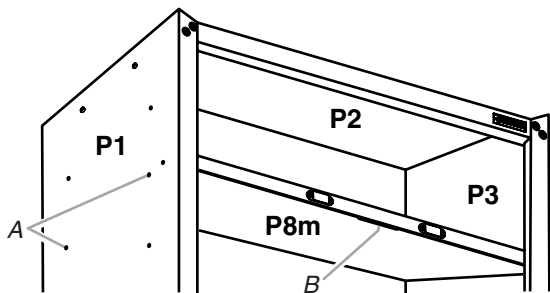
F5

F5 Tuerca de reborde pequeña (8)

IMPORTANTE:

- Instale el estante (P8m) en el armario de manera que el borde largo con imanes esté mirando hacia el frente del armario.
- Use el par de orificios indicado para instalar el estante (P8m) de manera que se aseguren las puertas.
- Puede instalarse el estante (P8) usando cualquiera de los otros pares de orificios a los lados del armario.

1. Alinee los orificios del estante con el par de orificios que se muestran.
2. Fije el estante (P8m) a los lados del armario (P1 y P3) usando tornillos Phillips (F3c) y tuercas de reborde pequeñas (F5) por cada lado.



A. Orificios para instalar el estante
B. Ranura en el estante para la cerradura

3. Coloque el estante (P8) de manera que los orificios de los extremos estén alineados con el conjunto deseado de orificios a los lados del armario (P1 y P3).
4. Fije el estante a los lados del armario (P1 y P3) usando tornillos Phillips (F3c) y tuercas de reborde pequeñas (F5) por cada lado.

Instalación de las puertas

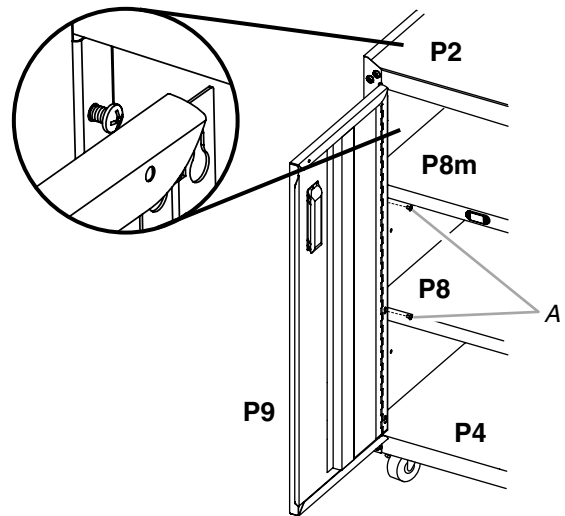


F3c

F3c Tornillo Phillips (8 - negro)

Las bisagras de la puerta se han diseñado con bocallaves en la parte superior e inferior, de modo que la puerta cuelgue en el armario mientras que usted coloca los tornillos.

1. Empiece colocando tornillos Phillips (F3c) en los orificios en la parte superior e inferior, a cada lado del armario.
2. Cuelgue la puerta del lado derecho (P10) de los tornillos superiores e inferiores y apriételos a mano.
3. Inserte los dos tornillos del medio en el armario, a través de la bisagra de la puerta, y apriételos a mano.



A. Tornillos Phillips (F3c)

4. Repita los pasos 2 y 3 para fijar la puerta izquierda (P9).
5. Alinee las puertas y apriete los tornillos por completo.

Complete el ensamblaje

1. Asegúrese de que haya un perno o un tornillo en cada orificio del marco del armario.
2. Mueva el armario a su ubicación final.
3. Si las puertas no están alineadas, afloje todos los tornillos que sujetan la bisagra de la puerta al armario.
4. Ajuste la puerta a la altura deseada y apriete completamente los tornillos.

ACCESORIOS

Para pedir los accesorios que se indican a continuación, o para averiguar acerca de otros accesorios disponibles, llame al **1-866-342-4089** o póngase en contacto con su distribuidor autorizado para la marca Gladiator. En Canadá, llame al **1-800-807-6777**.

Juego de ruedecillas

Pida la pieza número GACK04KDSX

Superficie de trabajo VersaTop™

Pida la pieza número GAVT18SPSX

Tapa modular de bambú

Pida la pieza número GAAC28BAYX

GARANTÍA DEL ARMARIO MODULAR DE ACERO PARA HERRAMIENTAS GLADIATOR® GARAGEWORKS

GARANTÍA LIMITADA DE DIEZ AÑOS (SÓLO PARA EL ARMARIO - NO SE INCLUYE LA MANO DE OBRA)

Durante diez años a partir de la fecha de compra original, siempre y cuando se le dé al armario modular de acero para herramientas se instale, use y sea mantenido de acuerdo con las instrucciones adjuntas o provistas con el producto, Gladiator® GarageWorks proporcionará, a su sola opción, las piezas de repuesto especificadas de fábrica para corregir defectos en los materiales o en la mano de obra, existentes en el momento de la compra del producto, o lo reemplazará (se excluyen los gastos de envío o flete). Si se reemplaza, el producto estará cubierto por el tiempo restante de la garantía limitada de diez años de la unidad original.

SU ÚNICO Y EXCLUSIVO RECURSO SEGÚN LOS TÉRMINOS DE LA GARANTÍA LIMITADA SERÁ EL DE REPARAR O REEMPLAZAR EL PRODUCTO A NUESTRA DISCRECIÓN, SEGÚN SE ESTIPULA EN LA PRESENTE. Esta garantía limitada es válida en los Estados Unidos y en Canadá, y se aplica solamente cuando el producto se use en el país en el que se ha comprado. Esta garantía limitada entrará en vigor a partir de la fecha de la compra del consumidor original. Se requiere una prueba de la fecha de compra original para obtener servicio o reemplazo bajo esta garantía limitada.

EXCLUSIONES DE LA GARANTÍA

Esta garantía limitada no cubre:

1. Servicio técnico a domicilio que incluye, sin limitación, visitas para corregir la instalación de cualquier producto de Gladiator® GarageWorks o para enseñarle a usarlo o instalarlo.
2. Daños causados por mal manejo o envío de productos, productos dañados por accidente, alteración, uso indebido, abuso, incendio, inundación, instalación incorrecta, actos fortuitos, negligencia, corrosión, modificación o maltrato.
3. Todos los gastos de transporte, envío o flete para entregar productos de reemplazo o para devolver productos defectuosos.
4. Piezas de repuesto especificadas de fábrica o reemplazo del producto cuando éste se use de un modo diferente al doméstico normal de una sola familia, como en un comercio, o se manipule de un modo contrario a las instrucciones publicadas para el usuario u operador y/o las instrucciones de instalación.
5. Daños estéticos incluyendo rayaduras, golpes, abolladuras o rajaduras que no afecten la capacidad estructural o de funcionamiento del producto.
6. Cualquier gasto de mano de obra durante el período de la garantía limitada.
7. Daños causados por la carga indebida que exceda del peso máximo especificado que se detalla en las instrucciones de ensamblaje provistas con el producto, incluyendo la sobrecarga de ganchos, canastas, estantes, armarios y otros accesorios de Gladiator® GarageWorks usados con este producto.
8. Superficies dañadas debido a la interacción química que dé como resultado la corrosión de pintura o de metal.
9. Mecanismo de traba o llaves de reemplazo.

El costo de la reparación o del reemplazo bajo estas circunstancias excluidas correrá por cuenta del cliente.

EXCLUSIÓN DE GARANTÍAS IMPLÍCITAS

LAS GARANTÍAS IMPLÍCITAS, INCLUYENDO CUALQUIER GARANTÍA IMPLÍCITA DE COMERCIABILIDAD O GARANTÍA IMPLÍCITA DE CAPACIDAD PARA UN PROPÓSITO PARTICULAR, SERÁN LIMITADAS A UN AÑO O AL PERÍODO MÁS CORTO PERMITIDO POR LEY. Algunos estados y provincias no permiten la limitación de la duración de las garantías implícitas de comerciabilidad o capacidad, de modo que la limitación arriba indicada quizás no le corresponda. Esta garantía le otorga derechos legales específicos, y es posible que usted tenga también otros derechos que varían de un estado a otro o de una provincia a otra.

LIMITACIÓN DE RECURSOS; EXCLUSIÓN DE DAÑOS INCIDENTALES Y CONSECUENTES

SU ÚNICO Y EXCLUSIVO RECURSO SEGÚN LOS TÉRMINOS DE ESTA GARANTÍA LIMITADA SERÁ EL DE REPARAR EL PRODUCTO SEGÚN SE ESTIPULA EN LA PRESENTE. GLADIATOR® GARAGEWORKS NO SE RESPONSABILIZARÁ POR DAÑOS INCIDENTALES O CONSECUENTES. Algunos estados y provincias no permiten la exclusión o limitación de daños incidentales o consecuentes, de modo que estas limitaciones y exclusiones quizás no le correspondan. Esta garantía le otorga derechos legales específicos, y es posible que usted tenga también otros derechos que varían de un estado a otro o de una provincia a otra.

Esta garantía no tiene vigor fuera de los cincuenta estados de Estados Unidos y Canadá. Póngase en contacto con el distribuidor autorizado de Gladiator® GarageWorks para determinar si corresponde otra garantía.

Si necesita servicio técnico, llame al Centro para la eXperiencia del cliente de Gladiator® GarageWorks al **1-866-342-4089** (gratuito) desde cualquier lugar de los EE.UU. En Canadá, póngase en contacto con su compañía designada de Whirlpool Canada LP o llame al **1-800-807-6777**.

En los EE. UU., Gladiator® GarageWorks significa Whirlpool Corporation, Benton Harbor, Michigan 49022. En Canadá, Gladiator® GarageWorks significa Whirlpool Canada LP, Mississauga, ON L5N 3A7.

10/11

Guarde este libro y su comprobante de compra juntos para referencia futura. Usted deberá proporcionar el comprobante de la compra o la fecha de instalación para obtener servicio bajo la garantía.

Escriba la siguiente información acerca del armario modular de acero para ayudarlo mejor a obtener asistencia o servicio técnico si alguna vez llegara a necesitarlo. Deberá tener a mano el número completo del modelo y de la serie. Usted puede encontrar esta información en la etiqueta con el número de modelo y de serie que está ubicada en la parte posterior del producto.

Nombre del distribuidor _____
Dirección _____
Número de teléfono _____
Número de modelo _____
Número de serie _____
Fecha de compra _____

SÉCURITÉ DE L'ARMOIRE

Votre sécurité et celle des autres est très importante.

Nous donnons de nombreux messages de sécurité importants dans ce manuel et sur votre appareil ménager. Assurez-vous de toujours lire tous les messages de sécurité et de vous y conformer.



Voici le symbole d'alerte de sécurité.

Ce symbole d'alerte de sécurité vous signale les dangers potentiels de décès et de blessures graves à vous et à d'autres.

Tous les messages de sécurité suivront le symbole d'alerte de sécurité et le mot "DANGER" ou "AVERTISSEMENT". Ces mots signifient :

⚠ DANGER

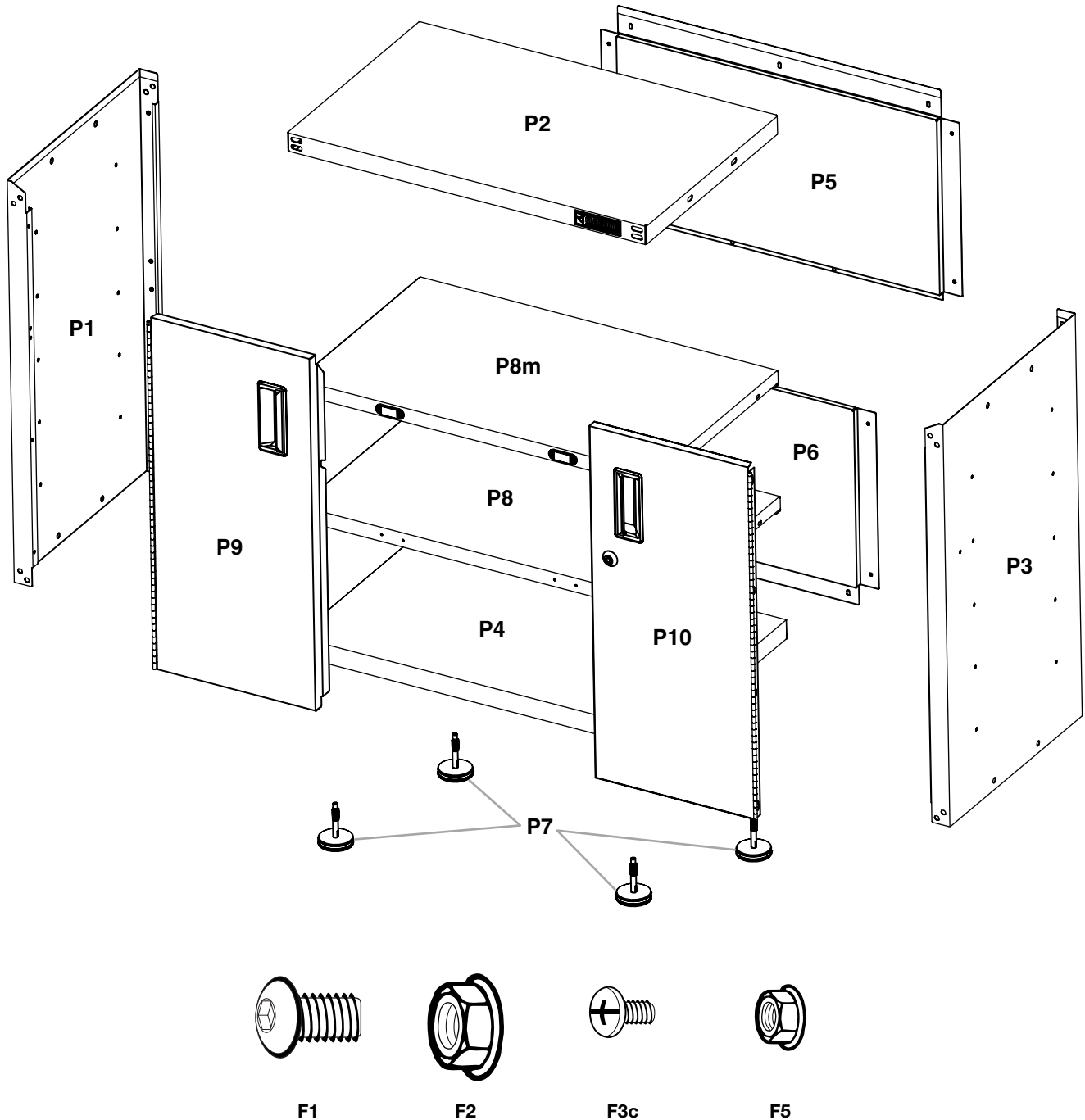
Risque possible de décès ou de blessure grave si vous ne suivez pas immédiatement les instructions.

⚠ AVERTISSEMENT

Risque possible de décès ou de blessure grave si vous ne suivez pas les instructions.

Tous les messages de sécurité vous diront quel est le danger potentiel et vous disent comment réduire le risque de blessure et ce qui peut se produire en cas de non-respect des instructions.

PIÈCES



INSTRUCTIONS D'ASSEMBLAGE

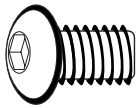
Spécifications d'utilisation de l'armoire

- Le produit est conçu pour l'utilisation dans un garage.
- Charge maximale de 45 lb (20 kg) pour chaque étagère.
- Charge maximale de 300 lb (136 kg) pour l'armoire.

Déballage des composants de l'armoire

1. Retirer le contenu; vérifier la présence de tous les composants. Le contenu inclut une clé à tête hexagonale, une clé de serrure, ainsi que toutes les pièces et attaches illustrées dans la section "Pièces".
2. Jeter/recycler tous les matériaux d'emballage.

Assemblage de l'armoire



F1



F2

F1 Boulons à six pans creux de $\frac{5}{16}$ " (24)

F2 Écrou à embase de $\frac{5}{16}$ " (8)

Rassembler les outils nécessaires avant de commencer l'installation.

Outillage nécessaire :

- Clé de $\frac{1}{2}$ "
- Clé de $\frac{3}{8}$ "
- Clé de $\frac{11}{32}$ "
- Tournevis Phillips
- Pince
- Niveau

Outils fournis :

- Clé à tête hexagonale
- Clé

⚠ AVERTISSEMENT

Risque du poids excessif

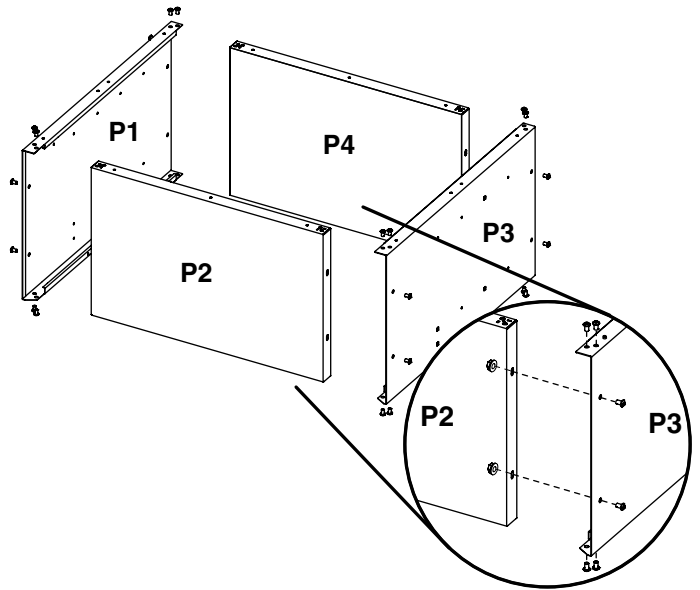
Utiliser deux ou plus de personnes pour déplacer, assembler, ou installer l'armoire.

Le non-respect de cette instruction peut causer une blessure au dos ou d'autre blessure.

IMPORTANT :

- La participation de deux personnes peut être nécessaire pour l'assemblage.
 - Lors de l'assemblage de l'armoire, placer vers le haut les rives comportant les trous.
 - Si vous assemblez l'armoire sur le plancher, serrer les huit boulons de coin, deux à chaque angle, après avoir placé l'armoire en position verticale.
1. Placer un panneau latéral (P1) sur une surface ferme plane; la rive comportant des trous doit être orientée vers le haut.
 2. Insérer le panneau supérieur (P2) entre les rives du panneau latéral (P1).
REMARQUE : Les rives comportant des trous doivent être orientées vers le haut.
 3. Aligner les trous; connecter le panneau du sommet (P2) avec le panneau latéral (P1) au moyen des boulons à 6 pans creux (F1) et n'utiliser les écrous à embase de $\frac{5}{16}$ " (F2) que pour les deux trous du milieu - voir l'illustration. Ne pas serrer complètement.
 4. Positionner le panneau latéral (P3); le panneau supérieur (P2) doit se trouver entre les rives du panneau latéral (P3).
 5. Aligner les trous; connecter le panneau du sommet (P2) avec le panneau latéral (P3) au moyen des boulons à 6 pans creux (F1) et n'utiliser les écrous à embase de $\frac{5}{16}$ " (F2) que pour les deux trous du milieu - voir l'illustration. Ne pas serrer complètement.
 6. Insérer le bas de l'armoire (P4) entre les rives des panneaux latéraux (P1 et P3).
REMARQUE : Les rives comportant des trous doivent être orientées vers le haut.

7. Aligner les trous; connecter le panneau du bas (P4) avec les panneaux latéraux (P1 et P3) au moyen des boulons à 6 pans creux (F1) et n'utiliser les écrous à embase de $\frac{5}{16}$ " (F2) que pour les deux trous du milieu pour chaque côté - voir l'illustration. Ne pas serrer complètement.



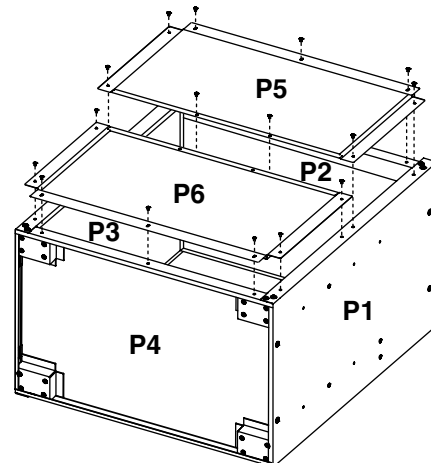
Fixation des panneaux arrière



F3c

F3c Vis Phillips (16 - noires)

1. Aligner le panneau inférieur arrière (P6) avec les trous du bas de l'armoire (P4). À l'aide des vis Phillips (F3c), fixer le panneau arrière (P6) sur le panneau du bas (P4) et les panneaux latéraux (P1 et P3) tel qu'illustré. Ne pas complètement serrer les vis.
2. Aligner le panneau arrière (P5) avec les trous du sommet (P2). Utiliser les vis Phillips (F3c) pour assujettir le panneau arrière (P5) avec le panneau supérieur (P2) et les panneaux latéraux (P1 et P3) - voir l'illustration. Ne pas complètement serrer les vis.
REMARQUE : Le panneau arrière (P5) chevauchera légèrement le panneau arrière (P6).
3. Utiliser les vis Phillips (F3c) pour assujettir le panneau arrière supérieur (P5) avec le panneau arrière inférieur (P6) - voir l'illustration.



4. Serrer complètement toutes les vis du panneau arrière - commencer par les côtés et poursuivre avec le sommet, le milieu de l'armoire et le fond.
5. Utiliser la clé à tête hexagonale (fournie) pour serrer complètement tous les boulons et écrous de l'armoire.

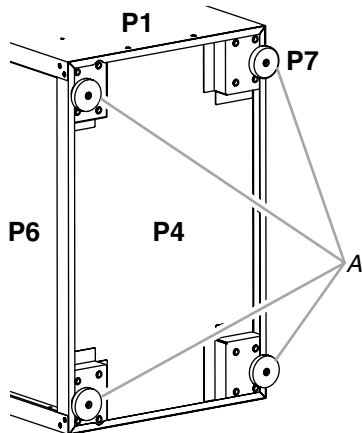
Installation des pieds de réglage de l'aplomb ou des roulettes

L'armoire à outils modulaire Gladiator® peut être utilisée comme armoire stationnaire ou roulante. Voir la section "Accessoires" pour commander l'ensemble des roulettes.

IMPORTANT : Si l'on décide d'installer les roulettes sur l'armoire, voir les instructions d'installation fournies avec l'ensemble des roulettes.

Installation des pieds de nivellement :

1. Placer l'armoire en appui sur un côté.
2. Visser un pied de réglage de l'aplomb (P7) dans chacun des quatre écrous situés dans les angles de l'armoire - voir l'illustration.



A. Pieds de réglage de l'aplomb

3. Placer l'armoire à la verticale.
4. Si ce n'est pas déjà effectué, serrer les deux boulons de chaque angle à l'avant du cadre de l'armoire. Serrer complètement tous les boulons et écrous de l'armoire.

Installation des étagères



F3c

F3c Vis Phillips (8 - noires)

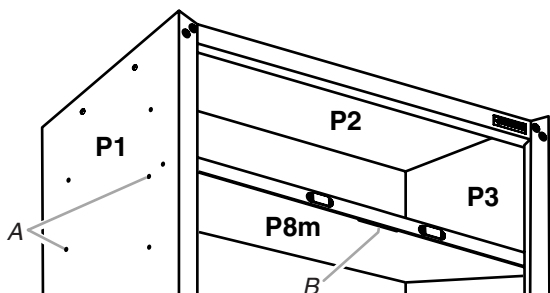


F5

F5 Petit écrou à embase (8)

IMPORTANT :

- Installer l'étagère (P8m) dans l'armoire de façon à ce que la rive longue comportant l'aimant soit orientée vers l'avant de l'armoire.
 - Utiliser les deux trous indiqués pour installer l'étagère (P8m) de façon à ce que les portes puissent se verrouiller.
 - Pour l'installation de l'étagère (P8), on peut utiliser n'importe lesquelles des autres paires de trous dans les côtés de l'armoire.
1. Aligner les trous sur l'étagère avec les trous illustrés.
 2. Utiliser les vis Phillips (F3c) et petits écrous à embase (F5) sur chaque côté pour assujettir l'étagère (P8m) sur les panneaux latéraux (P1 et P3).



A. Trous pour installation de l'étagère
B. Rainure dans l'étagère pour la serrure

3. Placer l'étagère (P8) de manière à ce que les trous aux extrémités soient alignés avec les trous de fixation choisis dans les panneaux latéraux de l'armoire (P1 et P3).
4. Utiliser les vis Phillips (F3c) et petits écrous à embase (F5) de chaque côté pour assujettir l'étagère sur les panneaux latéraux (P1 et P3).

Installation des portes

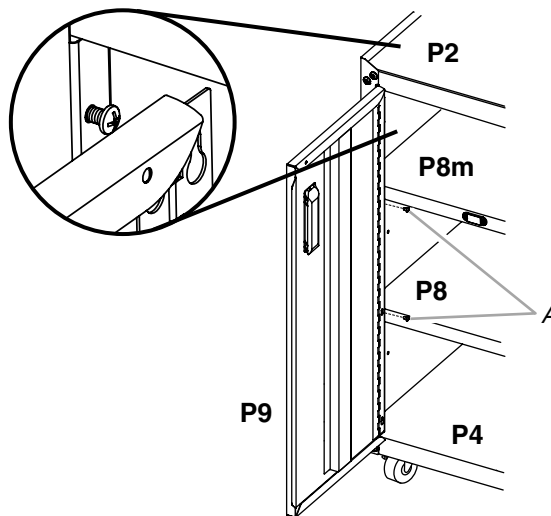


F3c

F3c Vis Phillips (8 - noires)

Les charnières de porte sont conçues avec les encoches en forme de trous de serrure en haut et en bas de façon à ce que la porte soit suspendue à l'armoire pendant que l'on serre les vis.

1. Engager les vis Phillips (F3c) dans les trous supérieurs et inférieurs de chaque côté de l'armoire.
2. Suspendre la porte de droite (P10) aux vis supérieures et inférieures puis serrer à la main.
3. Insérer les deux vis du milieu dans la charnière de porte, dans l'armoire, puis serrer à la main.



A. Vis Phillips à tête hexagonale (F3c)

4. Répéter les étapes 2 et 3 pour installer la porte de gauche (P9).
5. Aligner les portes et serrer complètement les vis.

Fin de l'assemblage

1. S'assurer qu'il y a un boulon ou une vis dans chaque trou du cadre de l'armoire.
2. Déplacer l'armoire jusqu'à son emplacement d'installation final.
3. Si les portes ne sont pas alignées, desserrer les vis fixant la charnière sur l'armoire.
4. Ajuster la position de la porte à la hauteur désirée et resserrer complètement les vis.

ACCESSOIRES

Pour commander les accessoires énumérés ci-dessous ou faire une demande concernant d'autres accessoires disponibles, appeler au **1-866-342-4089** ou contacter un vendeur autorisé de produits Gladiator. Au Canada, composer le **1-800-807-6777**.

Ensemble des roulettes

Commander la pièce n° GACK04KDSX

Surface de travail VersaTop™

Commander la pièce n° GAVT18SPSX

Plan de travail modulaire en bambou

Commander la pièce n° GAAC28BAYX

GARANTIE DE L'ARMOIRE À OUTILS MODULAIRE EN ACIER DE GLADIATOR® GARAGEWORKS

GARANTIE LIMITÉE DE DIX ANS - (ARMOIRE À OUTILS UNIQUEMENT - MAIN-D'OEUVRE NON COMPRISE)

Pendant dix ans à compter de la date d'achat d'origine, lorsque l'armoire à outils modulaire en acier à trois tiroirs est utilisée et entretenue conformément aux instructions jointes au produit ou fournies avec, Gladiator® GarageWorks choisira à sa seule discrétion de fournir les pièces de rechange spécifiées par l'usine pour corriger les vices de matériaux ou de fabrication qui existaient déjà lorsque le produit a été acheté, ou de remplacer le produit (frais d'expédition ou de transport non compris). S'il est remplacé, l'appareil restera sous garantie pour la durée restant à courir de la garantie limitée de dix ans sur le produit d'origine.

LE SEUL ET EXCLUSIF RECOURS DU CLIENT DANS LE CADRE DE LA PRÉSENTE GARANTIE LIMITÉE CONSISTE EN LA RÉPARATION OU LE REMPLACEMENT DE L'APPAREIL TEL QUE PRÉVU PAR LA PRÉSENTE, ET CE À NOTRE SEULE DISCRÉTION. Cette garantie limitée est valide uniquement aux États-Unis et au Canada et s'applique exclusivement lorsque le produit est utilisé dans le pays où il a été acheté. La présente garantie limitée est valable à compter de la date d'achat initial par le consommateur. Une preuve de la date d'achat initial est exigée pour obtenir une intervention de dépannage ou un remplacement dans le cadre de la présente garantie limitée.

ÉLÉMENTS EXCLUS DE LA GARANTIE

La présente garantie limitée ne couvre pas :

1. Les interventions de dépannage à domicile, notamment les interventions visant à rectifier l'installation de produits Gladiator® GarageWorks ou à expliquer à l'utilisateur le mode d'utilisation ou d'installation du produit.
2. Les dommages causés par une manutention ou une expédition inadéquate des produits, ou de produits endommagés par accident, altération, mésusage, abus, incendie, inondation, installation incorrecte, actes de Dieu, négligence, corrosion, modification ou mauvaise manipulation.
3. Les frais d'expédition ou de transport pour livrer un produit de rechange ou retourner le produit défectueux.
4. Le remplacement du produit ou les pièces spécifiées par l'usine lorsque le produit est utilisé à des fins autres qu'un usage domestique unifamilial normal - tel un environnement commercial - ou lorsque le produit n'est pas utilisé conformément aux instructions d'installation et/ou aux instructions de l'opérateur ou de l'utilisateur fournies.
5. Les défauts d'apparence - éraflures, traces de choc ou fissures - n'affectant pas la fonctionnalité ou la résistance structurale du produit.
6. Tous les frais de main-d'œuvre encourus au cours de la période de garantie limitée.
7. Les dommages causés par un chargement incorrect au-delà de la capacité de poids maximum spécifiée dans les instructions d'assemblage fournies avec le produit, y compris la surcharge de crochets, paniers, étagères, armoires et autres accessoires Gladiator® GarageWorks utilisés avec le produit.
8. Les surfaces endommagées par une interaction chimique causée par la corrosion de la peinture ou du métal.
9. Les clés ou mécanisme de verrouillage de rechange.

Le coût d'une réparation ou d'un remplacement dans le cadre de ces circonstances exclues est à la charge du client.

CLAUSE D'EXONÉRATION DE RESPONSABILITÉ AU TITRE DES GARANTIES IMPLICITES

LES GARANTIES IMPLICITES, Y COMPRIS LES GARANTIES APPLICABLES DE QUALITÉ MARCHANDE OU D'APTITUDE À UN USAGE PARTICULIER, SONT LIMITÉES À UN AN OU À LA PLUS COURTE PÉRIODE AUTORISÉE PAR LA LOI. Certains États et provinces ne permettent pas de limitation sur la durée des garanties implicites de qualité marchande ou d'aptitude à un usage particulier, de sorte que la limitation ci-dessus peut ne pas être applicable dans votre cas. Cette garantie vous confère des droits juridiques spécifiques et vous pouvez également jouir d'autres droits qui peuvent varier d'une juridiction à l'autre.

LIMITATION DES RECOURS; EXCLUSION DES DOMMAGES FORTUITS OU INDIRECTS

LE SEUL ET EXCLUSIF RECOURS DU CLIENT DANS LE CADRE DE LA PRÉSENTE GARANTIE LIMITÉE CONSISTE EN LA RÉPARATION PRÉVUE PAR LA PRÉSENTE. GLADIATOR® GARAGEWORKS N'ASSUME AUCUNE RESPONSABILITÉ POUR LES DOMMAGES FORTUITS OU INDIRECTS. Certains États et certaines provinces ne permettent pas l'exclusion ou la limitation des dommages fortuits ou indirects de sorte que ces limitations et exclusions peuvent ne pas être applicables dans votre cas. Cette garantie vous confère des droits juridiques spécifiques et vous pouvez également jouir d'autres droits qui peuvent varier d'une juridiction à l'autre.

Cette garantie ne s'applique pas à l'extérieur des 50 États des États-Unis et du Canada. Contacter votre marchand Gladiator® GarageWorks autorisé pour déterminer si une autre garantie s'applique.

Si vous avez besoin de service, appelez le Centre pour l'eXpérience de la clientèle de Gladiator® GarageWorks au **1-866-342-4089** (sans frais), de n'importe où aux E.-U. Au Canada, contactez votre compagnie de service désignée par Whirlpool Canada LP ou composez le **1-800-807-6777**.

Aux États-Unis, Gladiator® GarageWorks correspond à Whirlpool Corporation, Benton Harbor, Michigan 49022. Au Canada, Gladiator® GarageWorks correspond à Whirlpool Canada LP, Mississauga, ON L5N 3A7.

10/11

Conservez ensemble ce manuel et votre reçu de vente pour référence ultérieure. Pour un entretien ou une réparation sous garantie, vous devez présenter un document attestant de la date d'achat ou d'installation.

Inscrivez les renseignements suivants au sujet de votre armoire à outils modulaire en acier à trois tiroirs pour mieux vous aider à obtenir assistance ou service en cas de besoin. Vous devrez connaître le numéro de modèle et le numéro de série au complet. Vous trouverez ces renseignements sur la plaque signalétique située à l'arrière du produit.

Nom du revendeur _____

Adresse _____

Numéro de téléphone _____

Numéro de modèle _____

Numéro de série _____

Date d'achat _____

W10343076B

© 2011 Whirlpool Corporation.
All rights reserved.

Todos los derechos reservados.
Tous droits réservés.

© Registered Trademark/TM Trademark of Whirlpool, U.S.A., Whirlpool Canada LP Licensee in Canada

© Marca registrada/TM Marca de comercio de Whirlpool, U.S.A., usada bajo licencia de Whirlpool Canada LP en Canadá

© Marque déposée/TM Marque de commerce de Whirlpool, U.S.A., emploi sous licence par Whirlpool Canada LP au Canada

Printed in China
Impresso in China

Imprimé en Chine