

---

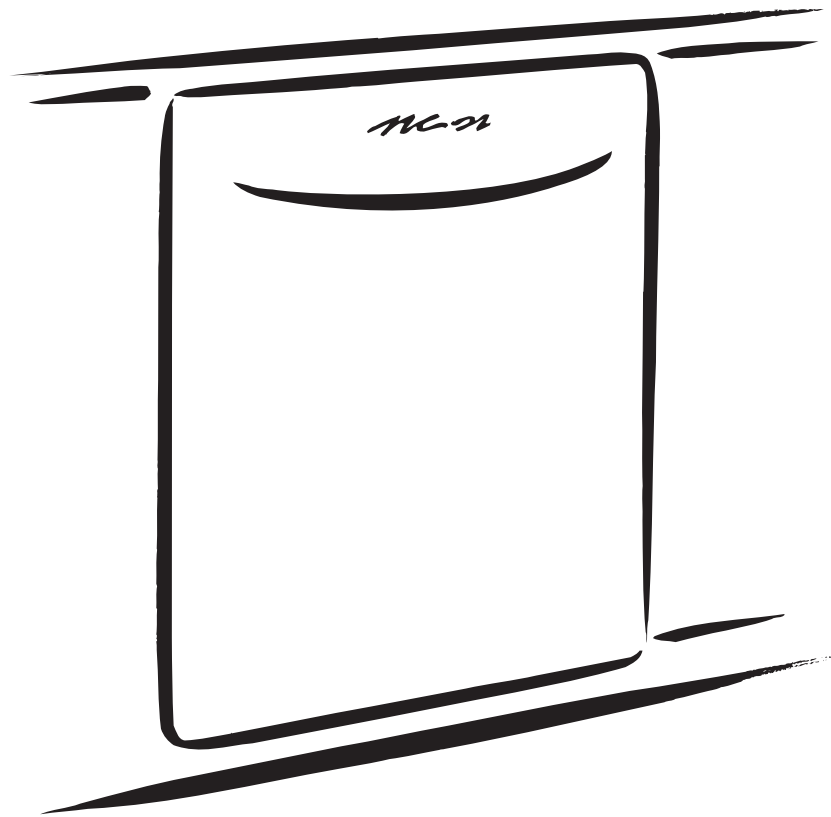
# INSTALLATION INSTRUCTIONS UNDERCOUNTER DISHWASHER PLASTIC GIANT TUB MODELS

---

## INSTRUCTIONS D'INSTALLATION LAVE-VAISSELLE SOUS COMPTOIR MODÈLES À TRÈS GRANDE CUVE EN PLASTIQUE

---

Table of Contents .....	2
Table des matières .....	25



# TABLE OF CONTENTS

<b>DISHWASHER SAFETY</b> .....	<b>2</b>	Make Power Supply Cord Connection .....	12
<b>INSTALLATION REQUIREMENTS</b> .....	<b>3</b>	Determine Cabinet Opening .....	14
Tools and Parts .....	3	Choose Attachment Option.....	15
Location Requirements .....	4	Prepare Water Supply Line.....	15
Drain Requirements .....	6	Move Dishwasher Close to	
Water Supply Requirements.....	6	Cabinet Opening.....	16
Electrical Requirements .....	6	Connect to Water Supply .....	18
<b>INSTALLATION INSTRUCTIONS</b> .....	<b>7</b>	Connect to Drain.....	18
Prepare Cabinet Opening—		Make Direct Wire Electrical Connection.....	19
Existing Utilities.....	7	Secure Dishwasher in Cabinet Opening .....	20
Prepare Cabinet Opening—New Utilities .....	7	Complete Installation .....	21
Prepare and Route Water Line .....	8	Check Operation.....	22
Install Drain Hose .....	9	If Dishwasher Does Not Operate.....	22
Prepare Dishwasher.....	11	Additional Tips .....	22

## DISHWASHER SAFETY

### Your safety and the safety of others are very important.

We have provided many important safety messages in this manual and on your appliance. Always read and obey all safety messages.



This is the safety alert symbol.

This symbol alerts you to potential hazards that can kill or hurt you and others.

All safety messages will follow the safety alert symbol and either the word “DANGER” or “WARNING.”

These words mean:

**⚠ DANGER**

**You can be killed or seriously injured if you don't immediately follow instructions.**

**⚠ WARNING**

**You can be killed or seriously injured if you don't follow instructions.**

All safety messages will tell you what the potential hazard is, tell you how to reduce the chance of injury, and tell you what can happen if the instructions are not followed.

**⚠ WARNING**



**Tip Over Hazard**

**Do not use dishwasher until completely installed.**

**Do not push down on open door.**

**Doing so can result in serious injury or cuts.**

### You Need to:

- Slowly open dishwasher door while someone grasps the rear of the dishwasher. Remove shipping materials, drain hose and lower rack. Close dishwasher door until latched.
- Observe all governing codes and ordinances.
- Install this dishwasher as specified in these instructions.
- Installation should be performed by a qualified service technician. The dishwasher must be installed to meet all electrical and plumbing national and local codes and ordinances.

Care shall be exercised when the appliance is installed or removed, to reduce the likelihood of damage to the power-supply cord.

**WARNING:** To reduce the risk of electric shock, fire, or injury to persons, the installer must ensure that the dishwasher is completely enclosed at the time of installation.


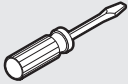
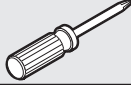
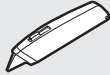
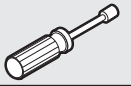


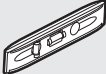
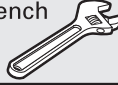
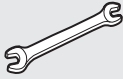
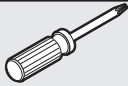
# INSTALLATION REQUIREMENTS

## Tools and Parts

Gather the recommended tools and parts before starting installation. Read and follow the instructions provided with any tools listed here.

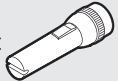
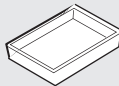

### All Installations

#### Tools needed:




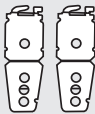

Pliers 	Flat-blade screwdriver 
Phillips screwdriver 	Utility knife 
5/16" and 1/4" nut drivers or hex sockets 	UL Listed/CSA Approved twist-on wire connectors* 
Measuring tape or ruler 	Small level 
10" adjustable wrench that opens to 1 1/8" (2.9 cm) 	5/8" open-end wrench 
Torx® T20® screwdriver 	

\*Must be the proper size to connect your household wiring to 16-gauge wiring in dishwasher.

#### Other useful items you may need:

Flashlight 	Shallow pan 	Bath towel 
--	---	--

#### Parts supplied:

Drain hose clamps (2) (1 large and 1 small) 	Drain hose 	#10 x 1/2" Phillips-head screws (2) 	Undercounter mounting brackets (2) 	Power cord grommet* 
---	--	---	--	---

Make sure all these parts are included in the literature package.



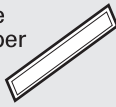
\*Power cord grommet included only on power cord models or in power cord conversion kit.

#### Parts needed:

3/8" Compr x 3/4" hose fitting  
For part or kit, see local retailer or call Whirlpool Parts: 1-800-442-9991. Part Number W10273460



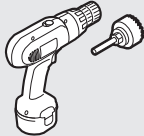

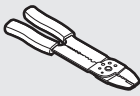
#### Other parts you may also need:

1 1/2"-2" (3.81-5 cm) Screw-type clamps (3 maximum) 	Masking or duct tape 
Moisture barrier tape (Part Number 4396277) 	Side mounting kit for solid surface countertops (Part Number 8212560)


**NOTE:** Some parts available for purchase in plumbing supply stores. Check local codes. Check existing electrical supply. See "Electrical Requirements" section. It is recommended that electrical connections be made by a licensed electrical installer.

#### In addition, for first-time installations

#### Tools needed:

Cordless drill with 1/2", 3/4" and 1 1/2" hole saw bits 	Small tubing cutter 	Wire stripper 
---	---	---

#### Parts needed:

Copper tubing (3/8" O.D. suggested) or flexible braided water supply line 	See "Electrical Requirements" section.	
	For Direct Wire: use UL Listed/CSA Approved strain relief to fit 7/8" (2.2 cm) hole	For Power Supply Cord: use UL Listed/CSA Approved power supply cord kit marked for use with dishwasher

---

## Location Requirements

Grounded electrical supply required.

Do not run drain lines, water lines or electrical wiring where they can interfere with or contact dishwasher motor or legs.

The location where the dishwasher will be installed must provide clearance between motor and flooring. Motor should not touch the floor.

Do not install dishwasher over carpeted flooring.

Shelter dishwasher and water lines leading to dishwasher against freezing. Damage from freezing is not covered by the warranty.

A side panel kit is available from your dealer for installing your dishwasher at the end of your cabinetry.

A moisture barrier accessory (Part Number 4396277) is available from your dealer for installing underneath the countertop.

Check location where dishwasher will be installed. The location must provide:

- easy access to water, electricity and drain.
- convenient access for loading and unloading dishes. Corner locations require a 2" (5.1 cm) minimum clearance between the side of the dishwasher door and the wall or cabinet.
- square opening for proper operation and appearance.
- cabinet front perpendicular to floor.
- level floor. (If floor at front of opening is not level with floor at rear of opening, shims may be needed to level dishwasher.)

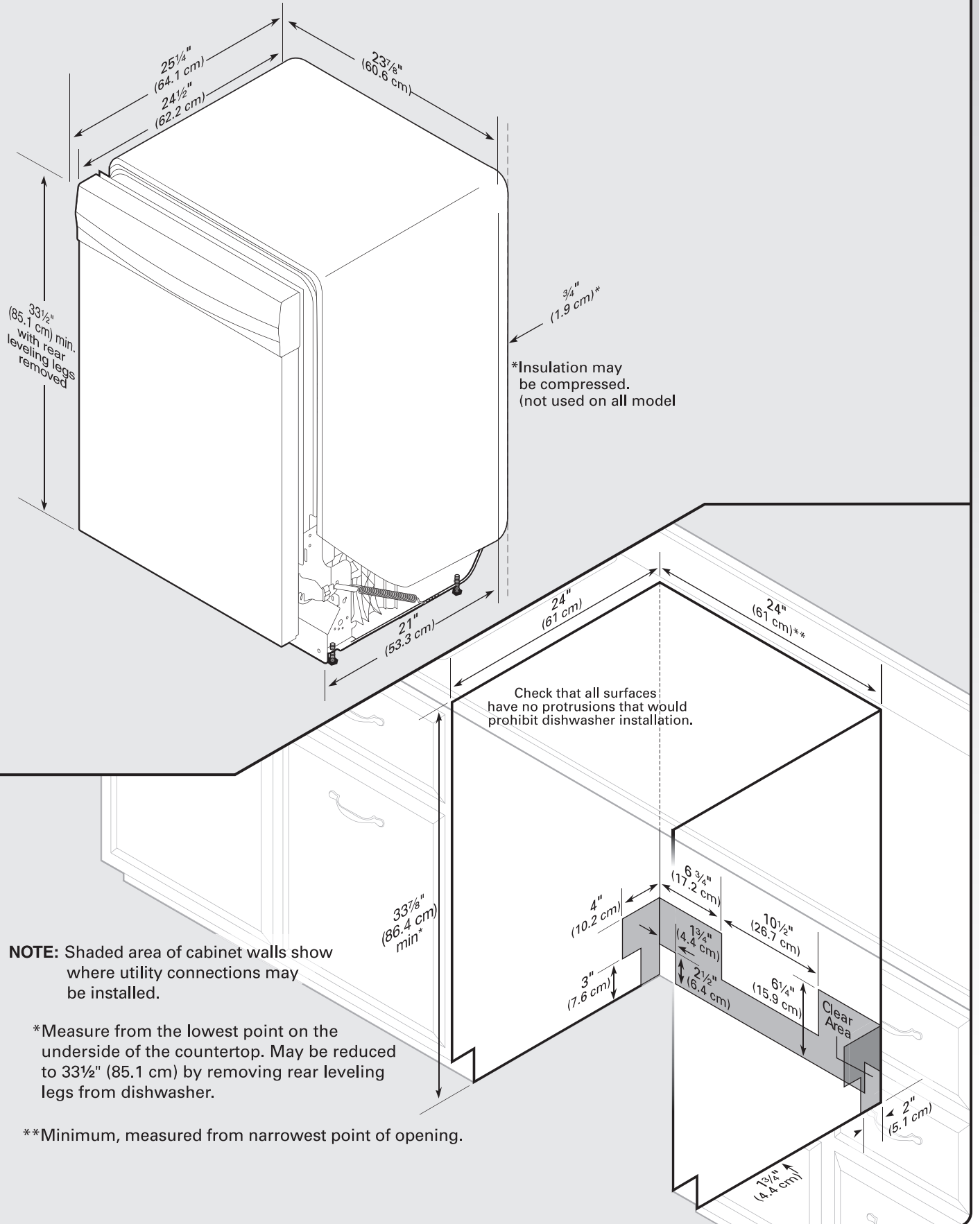
**Helpful Tip:** Be sure to accurately measure dimensions and ensure dishwasher is level if the floor in the dishwasher opening is uneven (example: Flooring extends only partway into opening).

**NOTE:** To avoid shifting during dishwasher operation, shims must be securely attached to the floor.

If dishwasher will be left unused for a period of time or in a location where it may be subject to freezing, have it winterized by authorized service personnel.

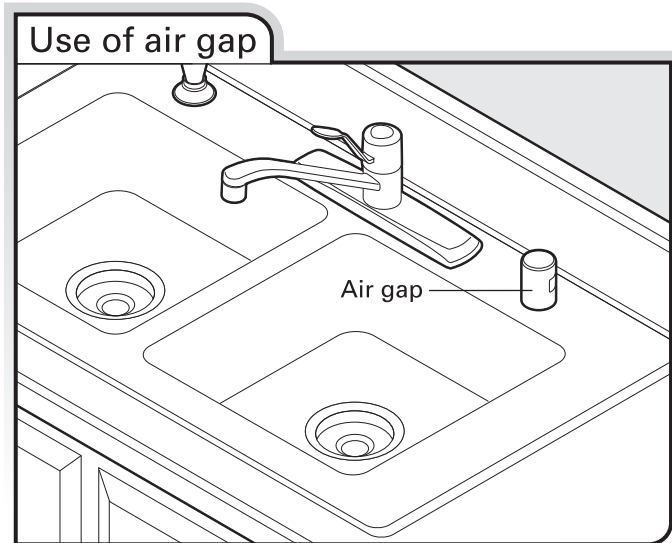
Make sure pipes, wires and drain hose are within the shaded area shown in the "Product and Cabinet Opening Dimensions" section.

# Product and Cabinet Opening Dimensions



## Drain Requirements

- A new drain hose is supplied with your dishwasher. If drain hose is not long enough, use a new drain hose with a maximum length of 12 ft (3.7 m) (Part Number 3385556) that meets all current AHAM/IAPMO test standards, is resistant to heat and detergent, and fits the 1" (2.5 cm) drain connector of the dishwasher.
- Make sure to connect drain hose to waste tee or disposer inlet above drain trap in house plumbing and 20" (50.8 cm) minimum above the floor. It is recommended that the drain hose either be looped up and securely fastened to the underside of the counter, or be connected to an air gap.



- Make sure to use an air gap if the drain hose is connected to house plumbing lower than 20" (50.8 cm) above subfloor or floor.
- Use ½" minimum I.D. drain line fittings.
- If required, the air gap should be installed in accordance with the air gap installation instructions. When you are connecting the air gap, a rubber hose (not provided) will be needed to connect to the waste tee or disposer inlet.

## Water Supply Requirements

- A hot water line with 20 to 120 psi (138 to 862 kPa) water pressure can be verified by a licensed plumber.
- 120°F (49°C) water at dishwasher.
- ¾" O.D. copper tubing with compression fitting or flexible braided water supply line (Part Number 4396897RP).  
**NOTE:** ½" minimum plastic tubing is not recommended.
- A 90° elbow with ¾" hose connection with rubber washer (Part Number W10273460).
- Do not solder within 6" (15.2 cm) of the water inlet valve.

## Electrical Requirements

Be sure that the electrical connection and wire size are adequate and in conformance with the National Electrical Code, ANSI/NFPA 70 - latest edition and all local codes and ordinances.

A copy of the above code standards can be obtained from:

National Fire Protection Association  
1 Batterymarch Park  
Quincy, MA 02169-7471

### You must have:

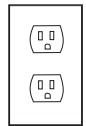
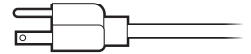
- 120-volt, 60 Hz, AC-only, 15- or 20-amp, fused electrical supply.
- Copper wire only.

### We recommend:

- A time-delay fuse or circuit breaker.
- A separate circuit.

### If connecting dishwasher with a power supply cord:

- Use UL Listed power supply cord kit (Part Number 4317824) marked for use with dishwasher.
- Power supply cord must plug into a grounded 3 prong outlet, located in the cabinet next to the dishwasher opening. Outlet must meet all local codes and ordinances.



### If connecting dishwasher with direct wiring:

- Use flexible, armored or nonmetallic sheathed, copper wire with grounding wire that meets the wiring requirements for your home and local codes and ordinances.
- Use a UL Listed/CSA Approved strain relief.



# INSTALLATION INSTRUCTIONS

## ⚠ WARNING



### Electrical Shock Hazard

Disconnect electrical power at the fuse box or circuit breaker box before installing dishwasher.

Failure to do so can result in death or electrical shock.

## 1 Disconnect power

Disconnect electrical power at the fuse box or circuit breaker box before installing dishwasher.

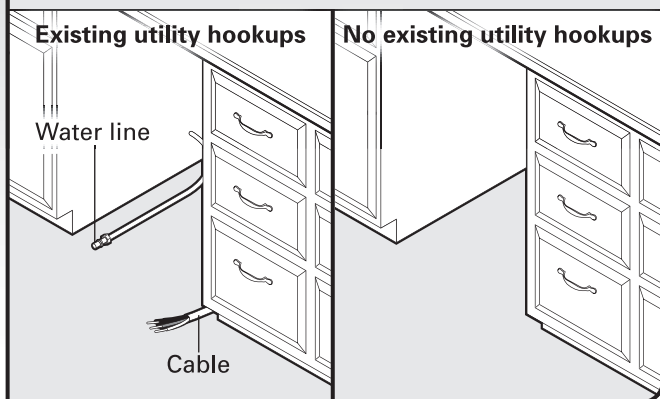
## 2 Shut off water supply

Shut off the water supply to the dishwasher.

## 3 Do you already have utility hookups?

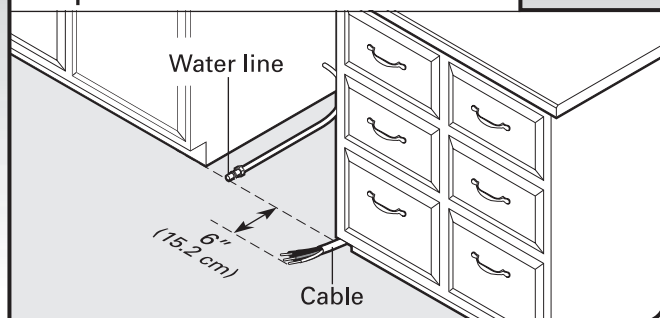
**Yes** —Follow instructions in the “Prepare Cabinet Opening—Existing Utilities” section.

**No** —Follow instructions in the “Prepare Cabinet Opening—New Utilities” section.



## Prepare Cabinet Opening—Existing Utilities

### 1 Check water and electrical placement

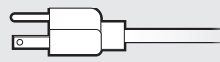



If the water line and the cable extend to the locations shown, proceed to the “Install Drain Hose” section. If they do not reach far enough, follow the instructions in the “Prepare Cabinet Opening—New Utilities” section.

## Prepare Cabinet Opening—New Utilities

### Prepare and route the electrical supply

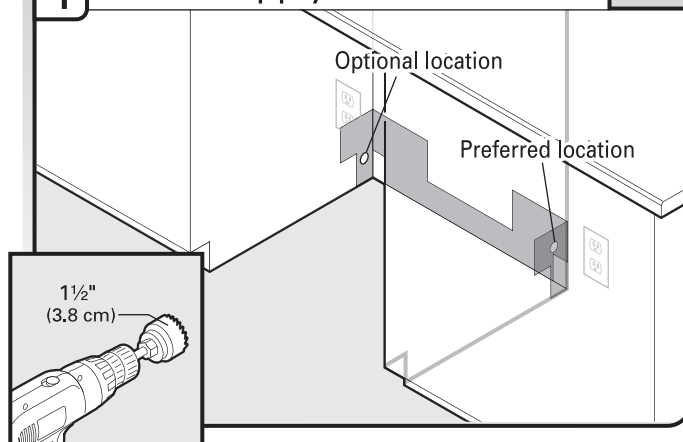
#### What type of electrical connection will you use?

-  Power Supply Cord:  
Follow Option A instructions
-  Direct Wire:  
Follow Option B instructions

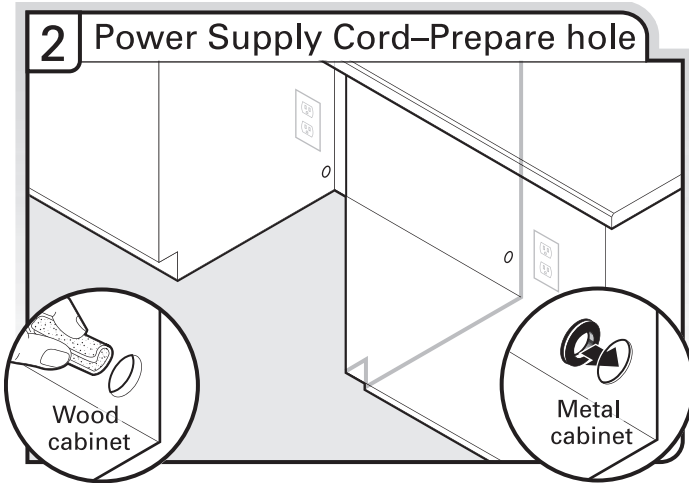
#### Option A, Power Supply Cord:

**NOTE:** A grounded 3 prong outlet is required inside a cabinet next to the dishwasher cabinet opening.

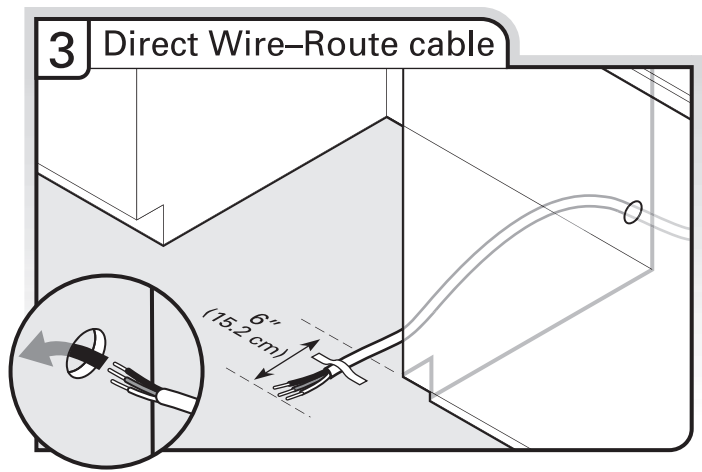
### 1 Power Supply Cord—Drill hole



Drill a 1½" (3.8 cm) hole in cabinet side or rear.  
See “Product and Cabinet Opening Dimensions” section.



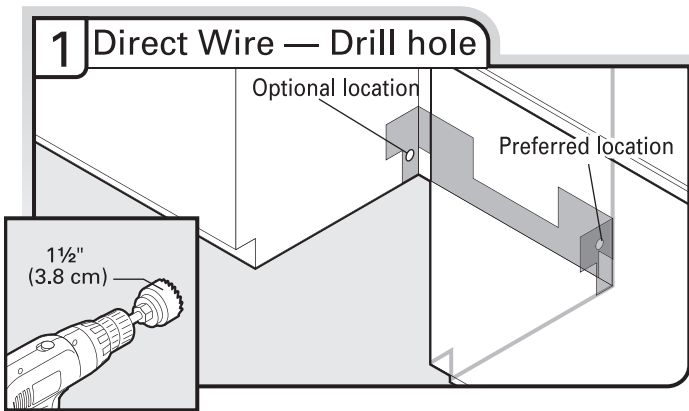
Wood cabinet: Sand the hole until smooth.  
 Metal cabinet: Cover hole with grommet included with power supply cord kit.



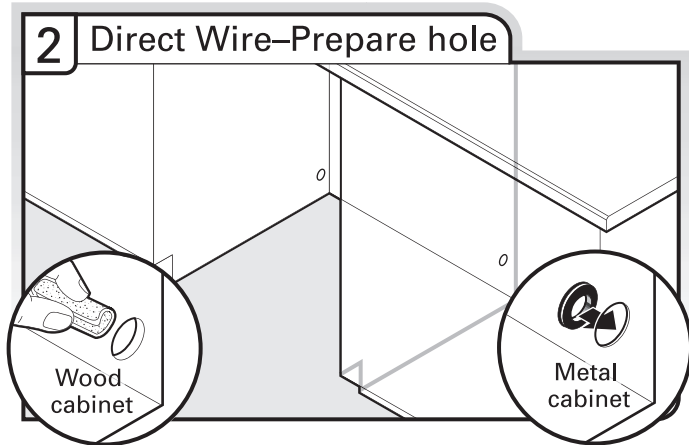
Route cable from power supply through cabinet hole (cable must extend to the right front side of cabinet opening). Tape cable to the floor in area shown. This will prohibit cable from moving when dishwasher is moved into cabinet opening.

**Option B, Direct Wire:**

**Helpful Tip:** Wiring the dishwasher will be easier if you route the cable into the cabinet opening from the right-hand side.



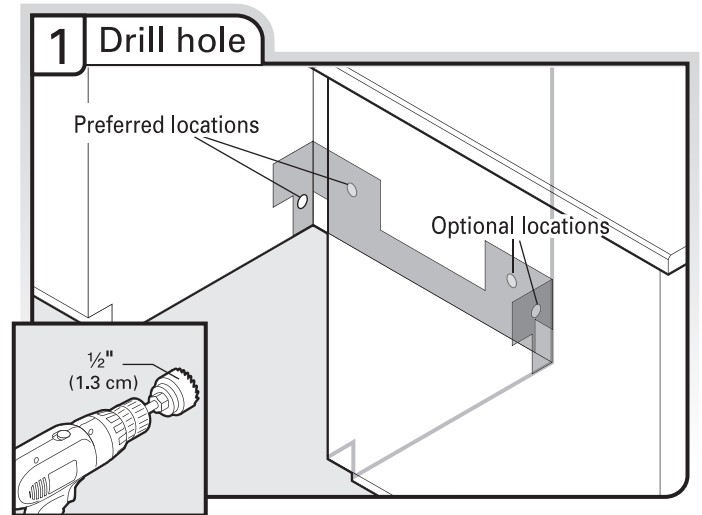
Drill a 1½" (3.8 cm) hole in right-hand cabinet side or rear. See "Product and Cabinet Opening Dimensions" section.



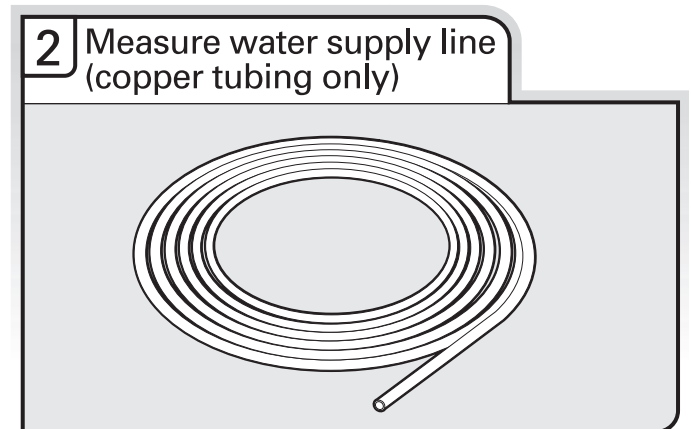
Wood cabinet: Sand the hole until smooth.  
 Metal cabinet: Cover hole with grommet (Part Number 302797 - not provided).

**Prepare and Route Water Line**

**Helpful Tip:** Routing the water line through the left side of cabinet opening will make water connection easier.



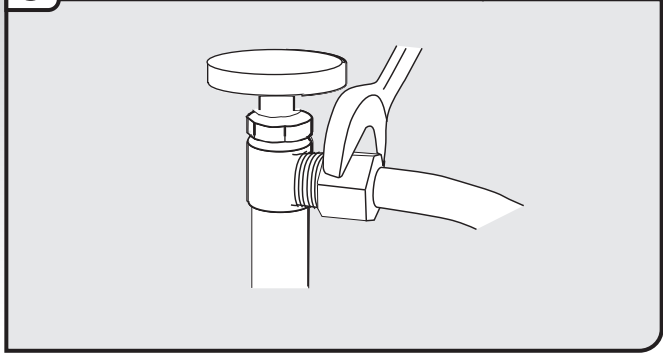
Drill a ½" (1.3 cm) hole in the cabinet side or rear.



Measure overall length of copper tubing for the water supply line.

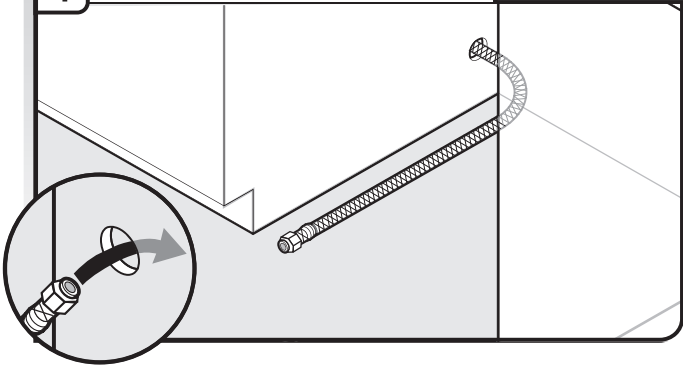


### 3 Attach water supply line



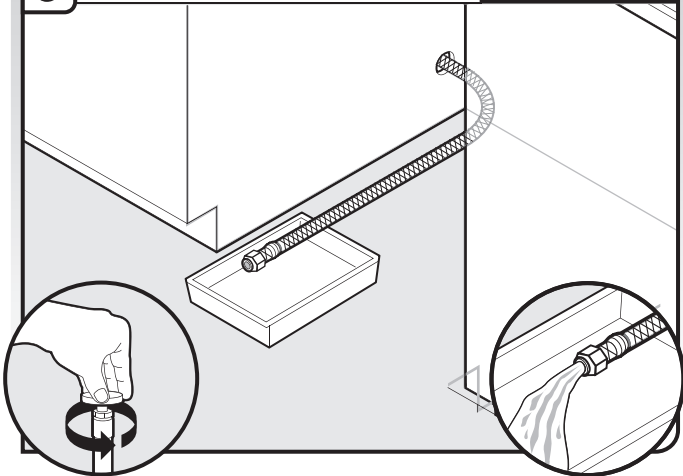
Attach the water supply line (copper tubing or flexible braided line) to the hot water line using a connection configuration that is in compliance with local codes and ordinances. The water supply to the dishwasher should have a manual shutoff valve located under the sink.

### 4 Route water supply line



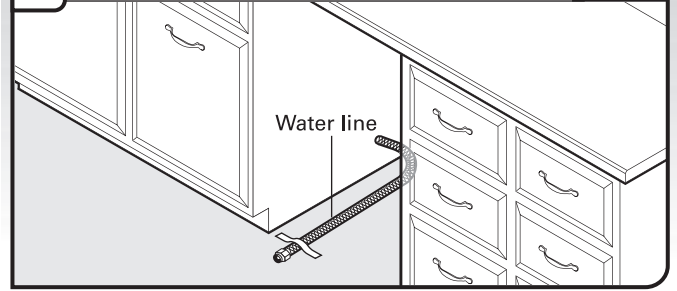
Slowly route water supply line through hole in cabinet. (If you are using copper tubing, it will bend and kink easily, so be gentle.) It should be far enough into the cabinet opening to connect it to the dishwasher inlet on the front left side of the dishwasher.

### 5 Flush water supply line



Slowly turn water shutoff valve to "ON" position. Flush water into a shallow pan until clear to get rid of particles that could clog the inlet valve. Turn shutoff valve to "OFF" position.

### 6 Temporarily secure water line

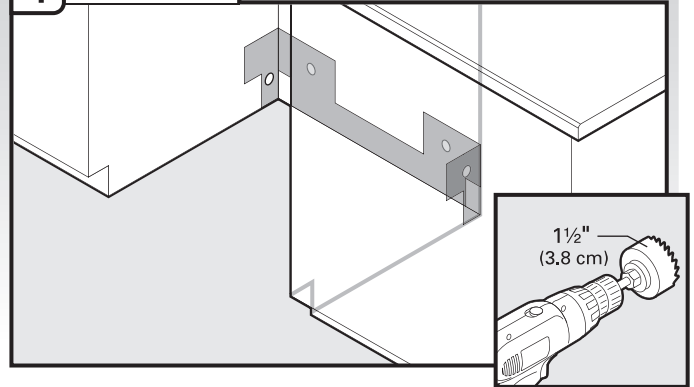


Route water line and tape it to the floor in area shown. This will keep it from moving when dishwasher is moved into cabinet opening.

## Install Drain Hose

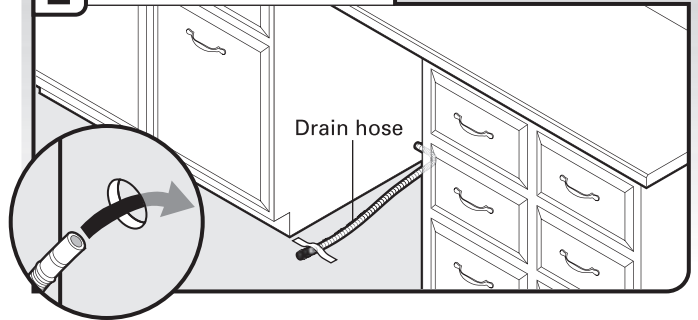
**IMPORTANT:** Always use a new drain hose. Check local codes to determine whether an air gap is required.

### 1 Drill hole



If needed, drill a 1½" (3.8 cm) diameter hole in cabinet wall or side of the opening closest to the sink.

### 2 Route drain hose



Route drain hose as shown through hole in cabinet to the front center of opening where drain connection will be made. Tape drain hose to the floor in area shown. This will prohibit it from moving when dishwasher is moved into cabinet opening.

### 3 Connect drain hose

Connect drain hose to waste tee or waste disposer using one of the following options:

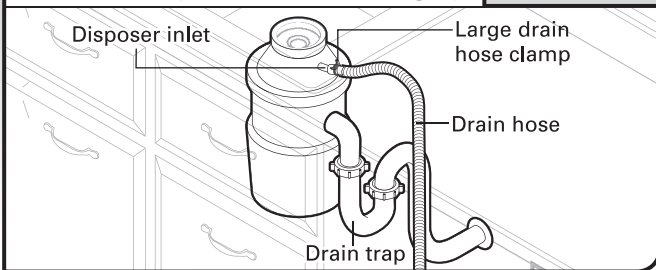
- Option A, Waste disposer – no air gap
- Option B, No waste disposer – no air gap
- Option C, Waste disposer – with air gap
- Option D, No waste disposer – with air gap

**IMPORTANT:** The drain hose connection of the disposer or a waste tee must be made before the drain trap and at least 20" (50.8 cm) above the floor where the dishwasher will be installed.

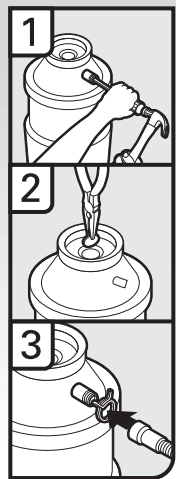
**Helpful Tip:** To reduce vibration of the hose, keep the hose away from the floor.

#### Option A, Waste disposer – no air gap

##### Waste disposer – no air gap



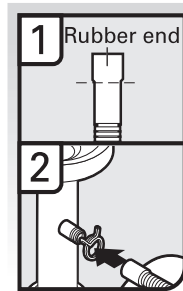
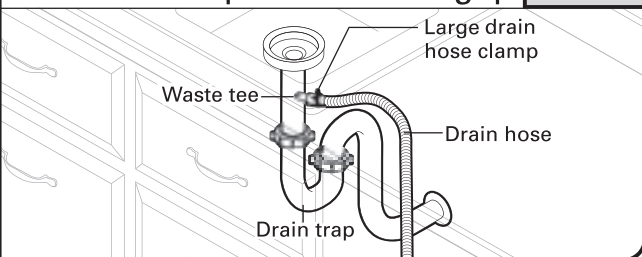
**Helpful Tip:** Remove disposer knock-out plug.



1. Using a hammer and screwdriver, knock plug into disposer.
2. Use needle-nose pliers to remove plug.
3. Attach drain hose to disposer inlet with large drain hose clamp (provided). Use pliers to squeeze clamp open and move into position.

#### Option B, No waste disposer – no air gap

##### No waste disposer – no air gap



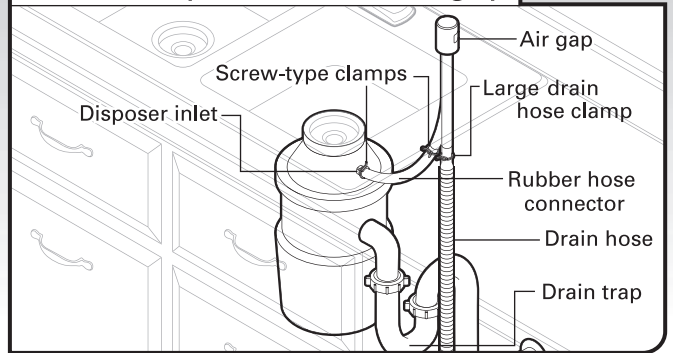
1. Fit rubber end of drain hose to waste tee and cut if needed.

**NOTE:** Do not cut ribbed section.

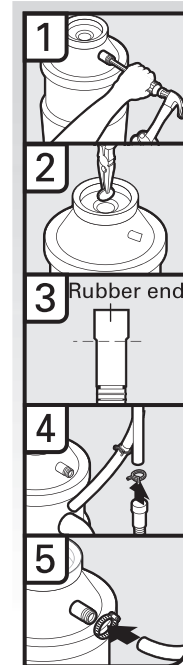
2. Attach rubber end of drain hose to waste tee with a large drain hose clamp (provided). Use pliers to squeeze clamp open and move into position. If the drain hose was cut, use a 1½" to 2" (3.8 to 5 cm) screw-type clamp (not provided).

#### Option C, Waste disposer – with air gap

##### Waste disposer – with air gap

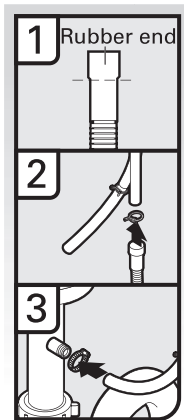
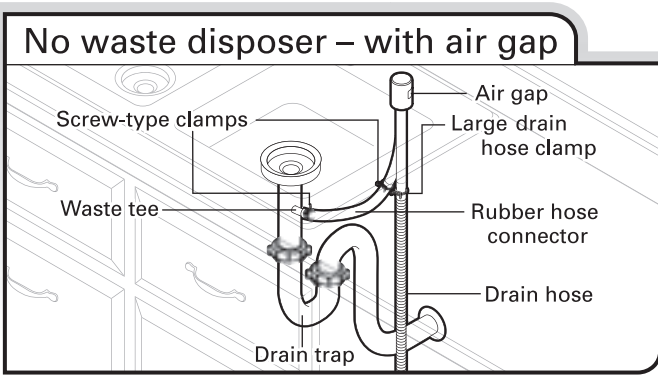


**Helpful Tip:** Remove disposer knock-out plug.



1. Using a hammer and screwdriver, knock plug into disposer.
2. Use needle-nose pliers to remove plug.
3. Connect rubber end of drain hose to air gap and cut if needed.  
**NOTE:** Do not cut ribbed section.
4. Attach drain hose to air gap with large drain hose clamp (provided). Use pliers to squeeze clamp open and move into position. If the drain hose was cut, use a 1½" to 2" (3.8 to 5 cm) screw-type clamp (not provided).
5. Use a rubber hose (not provided) with screw-type clamps (not provided) to connect from air gap to disposer inlet.

## Option D, No waste disposer – with air gap



1. Connect rubber end of drain hose to air gap and cut if needed.  
**NOTE:** Do not cut ribbed section.
2. Attach drain hose to air gap with large drain hose clamp (provided). Use pliers to squeeze clamp open and move into position. If the drain hose was cut, use a 1½" to 2" (3.8 to 5 cm) screw-type clamp (not provided).
3. Use a rubber hose (not provided) with screw-type clamps (not provided) to connect from waste tee to air gap.

## Prepare Dishwasher

### ⚠ WARNING



#### Tip Over Hazard

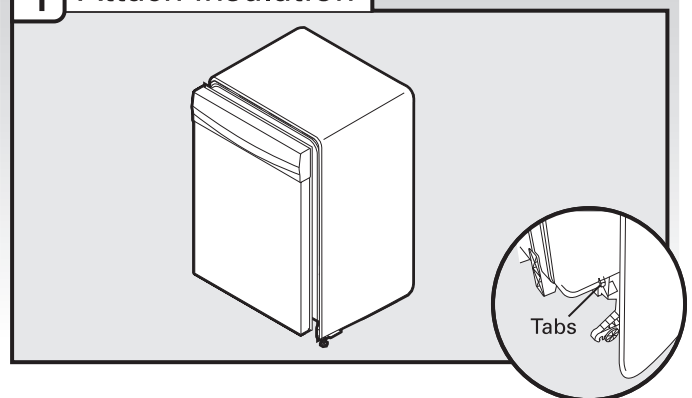
- Do not use dishwasher until completely installed.
- Do not push down on open door.
- Doing so can result in serious injury or cuts.

### ⚠ WARNING

#### Excessive Weight Hazard

- Use two or more people to move and install dishwasher.
- Failure to do so can result in back or other injury.

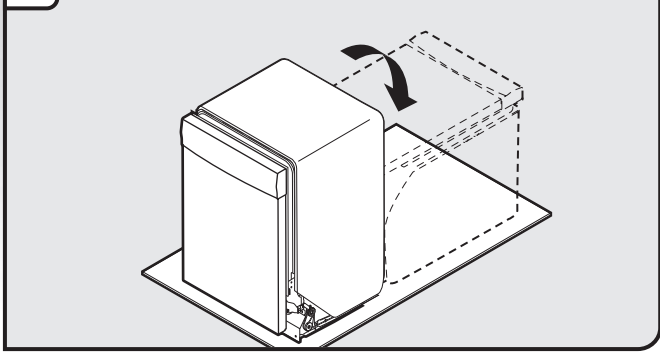
### 1 Attach insulation



Using the precut slots in the insulation, fasten the insulation over the molded hooks on the tub. Be sure to fasten the insulation down on both sides of the tub.

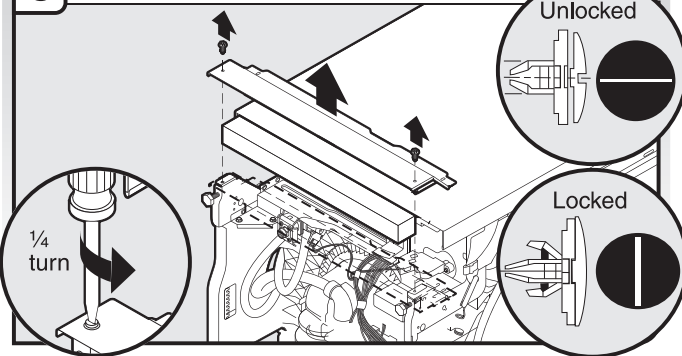
**Helpful Tip:** Place cardboard under dishwasher until installed in cabinet opening to avoid damaging floor covering. Do not use door panel as a worktable without first covering with a towel to avoid scratching the door panel.

## 2 Put dishwasher on its back



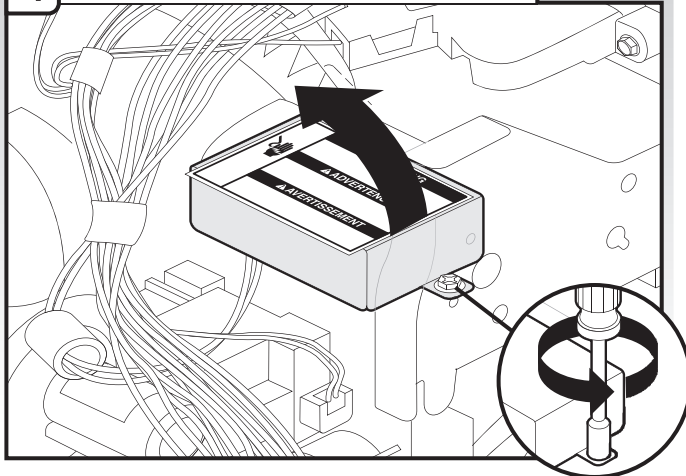
Using 2 or more people, grasp sides of dishwasher door frame and place dishwasher on its back.

## 3 Remove panel and fasteners



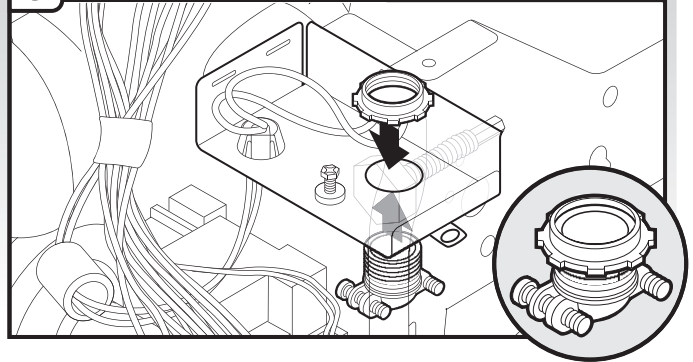
Using a flat-blade screwdriver, turn the plastic fasteners  $\frac{1}{4}$  turn counterclockwise to unlock them. Remove panel. Do not remove tech sheet from access panel.

## 4 Remove terminal box cover



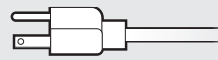
Using a  $\frac{1}{4}$ " hex-head socket, nut driver or Torx® T20® screwdriver, remove terminal box cover. Retain for later use.

## 5 Install strain relief



Install a UL Listed/CSA Approved strain relief. Make sure screw heads are facing to the left when tightening conduit nut. Strain relief is provided with the power supply cord kit.

### What type of electrical connection will you use?



Power Supply Cord:  
Follow Option A instructions



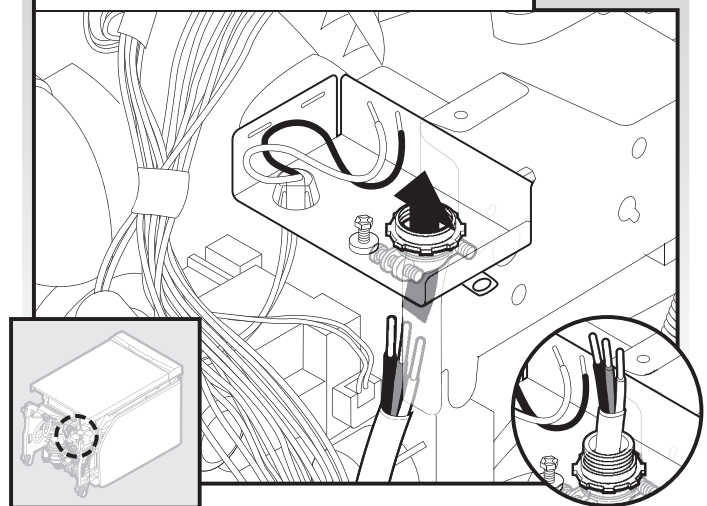
Direct Wire:  
Follow Option B instructions

**NOTE:** If using Option B, proceed to "Determine Cabinet Opening," to continue with the installation of your dishwasher.

## Make Power Supply Cord Connection

### Option A, Power Supply Cord:

#### 1 Power Cord—Route cord into terminal box



Route cord so that it does not touch dishwasher motor to lower part of dishwasher tub. Pull cord through strain relief in terminal box.

Select UL Listed/CSA Approved twist-on wire connectors rated to connect your power supply cord to 16-gauge dishwasher wiring.

## ⚠ WARNING



### Electrical Shock Hazard

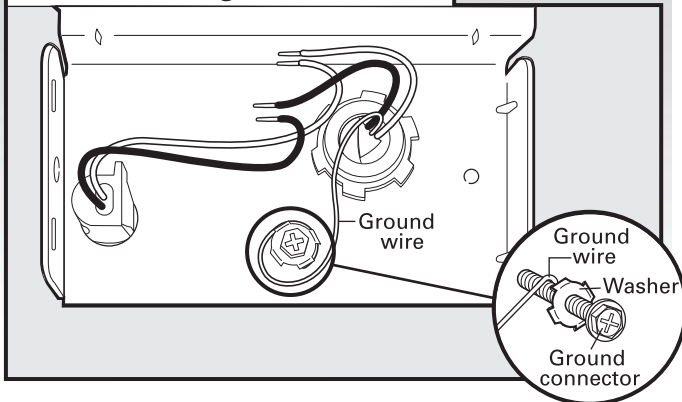
Electrically ground dishwasher.

Connect ground wire to green ground connector in terminal box.

Do not use an extension cord.

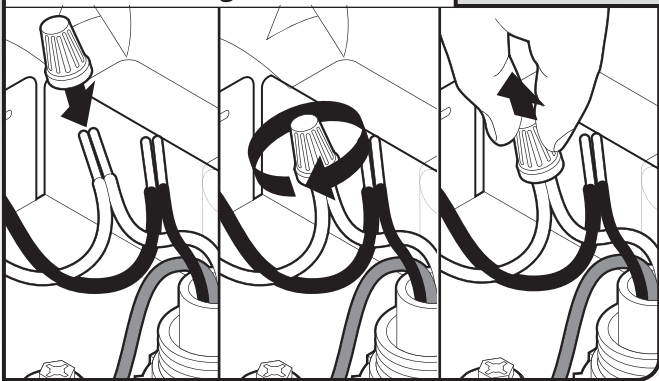
Failure to follow these instructions can result in death, fire, or electrical shock.

### 2 Power Supply Cord— Connect ground wire



Remove the ground connector screw and place through the ring terminal of the green ground wire. Reattach and tighten the ground connector screw.

### 3 Power Cord—Connect remaining wires



**NOTE:** Do not pre-twist stranded wire. Twist on wire connector. Gently tug on wires to be sure both are secured.

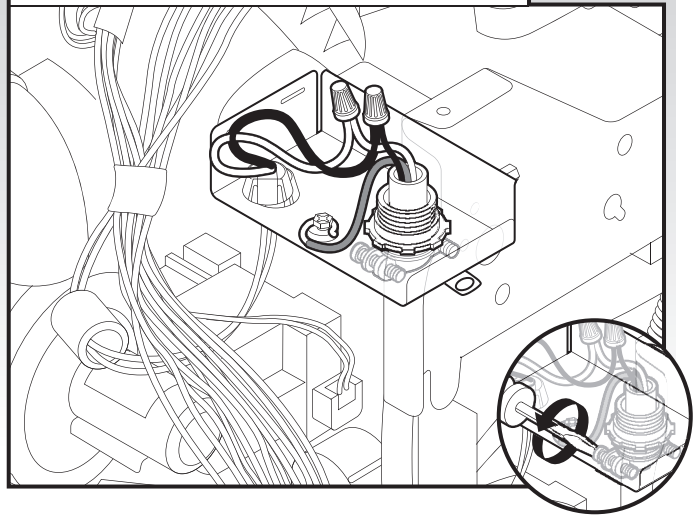
Connect wires black to black and white to white, using UL Listed/CSA Approved twist-on wire connectors.

### Wiring configuration

Power supply wire:		Terminal box wire:
white	↔	white
black	↔	black
ground wire	↔	ground connector

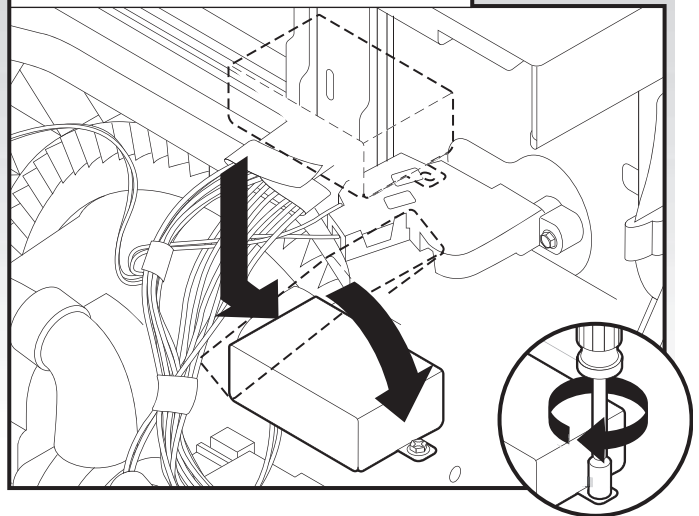
If needed, see website for animated representation of this step. Visit [www.whirlpool.com/electrical](http://www.whirlpool.com/electrical) under FAQ tab.

### 4 Power Cord—Secure cord on strain relief



Tighten strain relief screws to secure cord.

### 5 Power Cord—Reinstall terminal box cover



Place wires inside terminal box. Insert tabs on left side of cover. Make sure wires are tucked inside box. Close cover ensuring wires are not pinched. Use 1/4" hex-head socket, nut driver or Torx® T20® screwdriver and previously removed screw to secure cover.

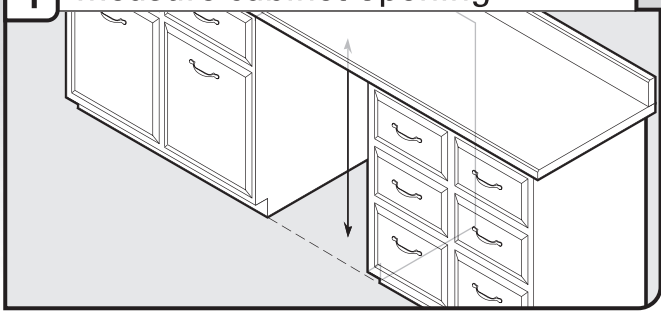
If power cord supplied model, remove the first tie strap closest to the plug to maximize the cord length. Do not remove any other tie straps.

**NOTE:** Do not plug into outlet until instructed to do so.

## Determine Cabinet Opening

Your dishwasher has leveling legs. The following provides instructions to adjust the leveling legs to set the dishwasher to the correct height for your cabinet opening.

### 1 Measure cabinet opening

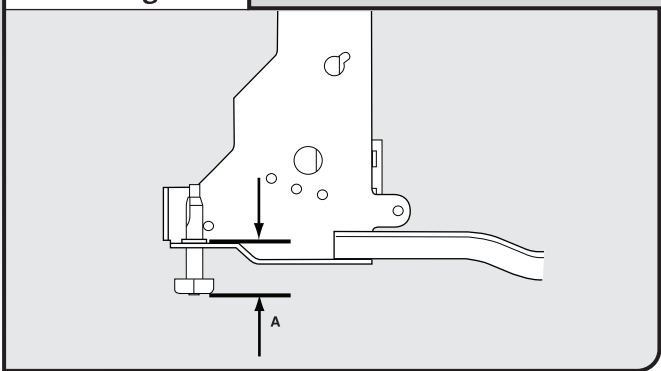


Measure height of cabinet opening from underside of countertop to floor where dishwasher will be installed (you will need to measure the lowest point on the underside of the countertop and the highest point on the floor). Refer to "Dishwasher Height Adjustment Chart" to adjust the leveling legs.

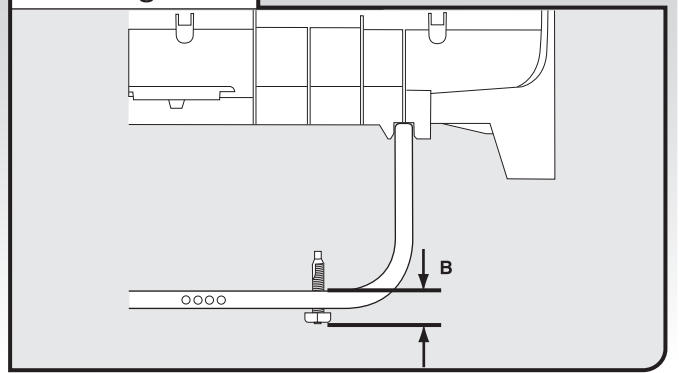
### Dishwasher Height Adjustment Chart

Cabinet opening height	Front legs height A	Rear legs height B
33½" (85.1 mm)	¾" (9.8 mm)	remove legs and spacers
34" (86.4 cm)	7⁄8" (22 mm)	1" (25.4 mm)
34½" (87.6 cm)	1 1⁄8" (28.8 mm)	1 ¼" (31.3 mm)

### Front legs - A



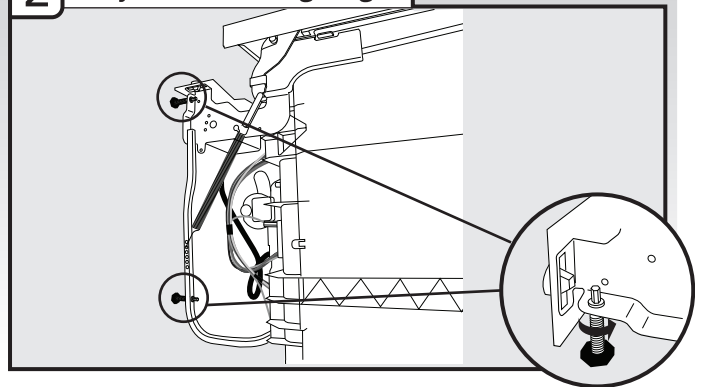
### Rear legs - B



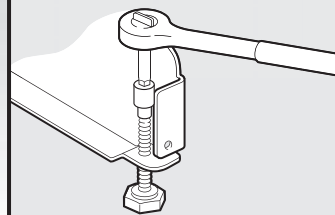
**NOTE:** If the minimum cabinet opening height is less than 33½" (86 cm), the rear leveling legs and spacers can be removed for additional clearance. This will allow the dishwasher to fit into a 33½" (85.1 cm) high cabinet opening, but the dishwasher will be more difficult to move. (Measurements are approximate. Rear and front leveling legs are preset at the factory for 34½" [87.6 cm].)

Turn front and rear leveling legs to the same height. Refer to "Dishwasher Height Adjustment Chart."

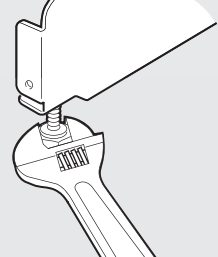
### 2 Adjust leveling legs



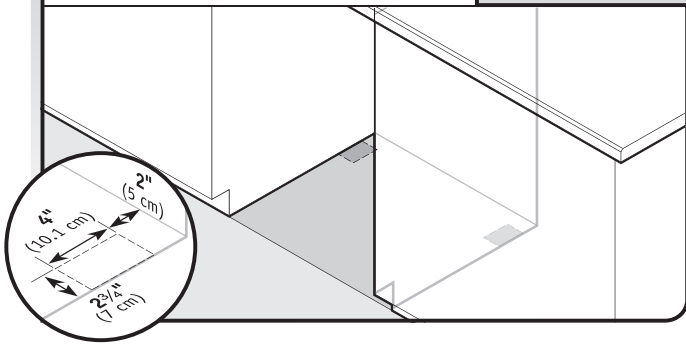
#### Preferred method



#### Optional method



### 3 Built-up Floors—Add shims as needed



Built-up floors: If the kitchen floor is higher than the cabinet opening's floor - for example, the kitchen floor tile does not extend into the cabinet opening - add shims as needed in the area shown to bring the dishwasher up to 33½" (85.1 cm) below the countertop.

**NOTE:** Shims must be securely attached to floor to avoid movement when the dishwasher is in use.

## Choose Attachment Option

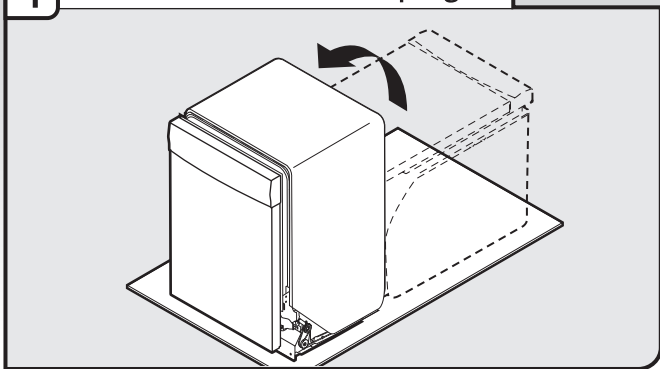
### ⚠ WARNING

#### Excessive Weight Hazard

Use two or more people to move and install dishwasher.

Failure to do so can result in back or other injury.

### 1 Stand dishwasher upright

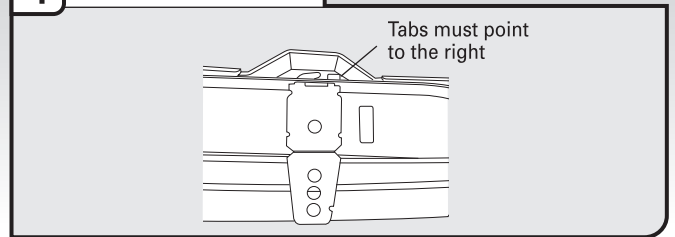


Using 2 or more people, stand the dishwasher up.

**IMPORTANT:** The dishwasher must be secured to the cabinet. There are 2 brackets found in the parts bag. Attach the brackets using Option Number 1 if the countertop is wood, laminate or another similar surface. If your countertop is marble, granite or another hard surface, install using Option Number 2.

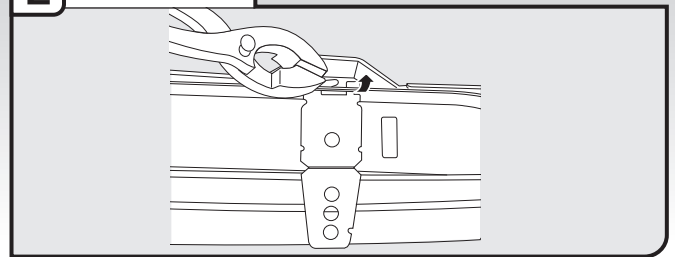
### Option 1, Countertop Attachment

#### 1 Insert bracket



Remove the brackets from the package and insert into the open slots on the left and right-hand top of the dishwasher collar as shown.

#### 2 Bend tab



Using a pair of pliers, bend the tab down to secure the bracket in place. Repeat this step for the other side.

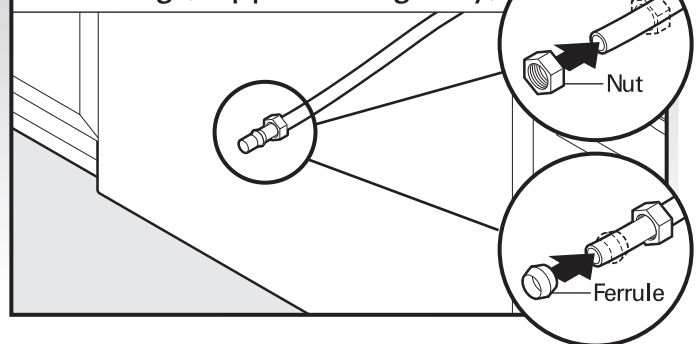
**NOTE:** Do not attach the dishwasher. This will be done later.

### Option 2, Side Attachment

For marble, granite, or other hard surface countertops  
Order Mounting Bracket Kit Part Number 8212560.

## Prepare Water Supply Line

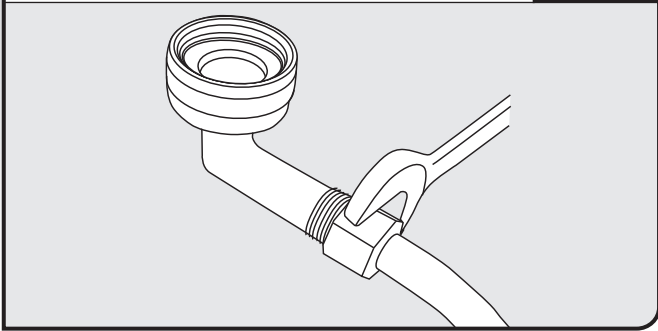
### 1 Slide nut and ferrule onto tubing (copper tubing only)



Copper tubing only: Slide nut, then ferrule, about 1" (2.5 cm) onto copper tubing.

**NOTE:** To avoid vibration during operation, route the water supply line so that it does not touch the dishwasher base, frame or motor.

**2** Add 90° elbow fitting to the water supply line



Connect the 3/8" compression fitting of the 90° elbow to the water supply line prior to installing the unit into the cabinet opening. Attach such that the 3/4" connection is facing upward as shown above.

**Copper tubing only:** Put the tubing into the 90° elbow fitting as far as it will go (the copper tubing bends and kinks easily). Slide the nut and ferrule forward and start the nut onto the elbow threads. Flexible braided connection: Secure nut to elbow using 5/8" open ended wrench or adjustable wrench.

**NOTE:** Do not use Teflon<sup>®†</sup> tape with compression fittings.

Move Dishwasher Close to Cabinet Opening

**⚠ WARNING**

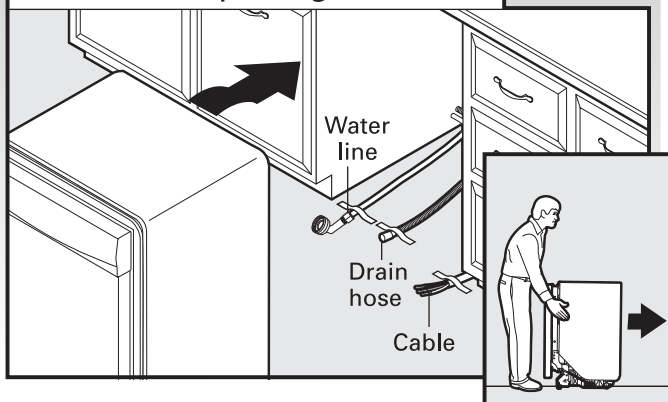
**Excessive Weight Hazard**

**Use two or more people to move and install dishwasher.**

**Failure to do so can result in back or other injury.**

**NOTE:** Do not install kick plate until instructed to do so.

**1** Move dishwasher close to cabinet opening



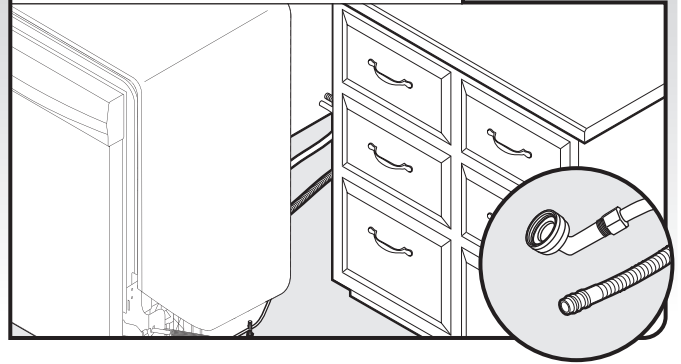
**IMPORTANT:** Double-check correct placement of utilities. Grasp the sides of the dishwasher at the edges of the door panel. Move dishwasher close to cabinet opening.

**NOTE:** Do not push on the front of the panel or on the console. Panel or console may dent.

**Helpful Tip:** Temporarily tape utilities to the floor in the locations shown to prohibit them from moving when dishwasher is moved into the cabinet opening.

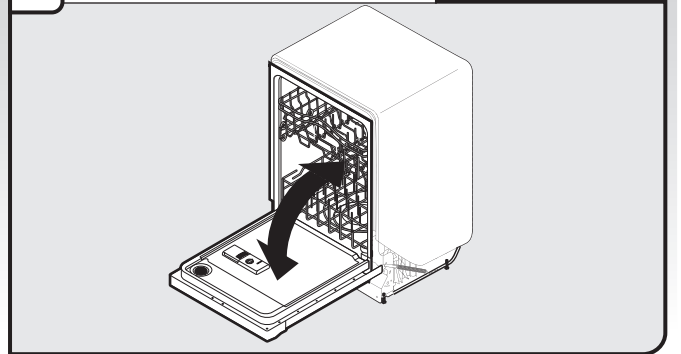
†©TEFLON is a registered trademark of E.I. Du Pont De Nemours and Company.

**2** Check water and drain hose position



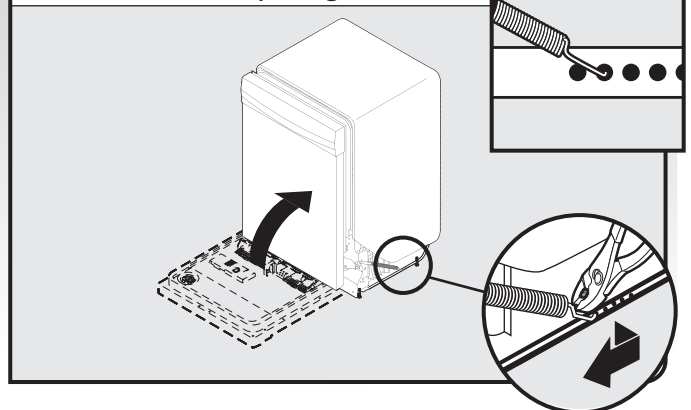
Check that water line is on the left side of opening and drain hose is near the center of the cabinet opening.

**3** Open and close door



With another person holding the dishwasher to keep it from tipping, open and close the door a few times. If the door closes or falls open under its own weight, the door tension will need to be adjusted.

**4** Closes too quickly—  
Decrease spring tension

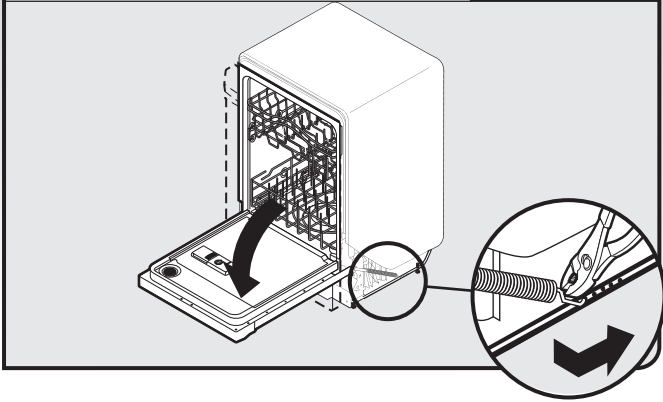


If the door closes too quickly, decrease the spring tension by moving the spring end toward the front of the dishwasher.

**NOTE:** Springs should be in the same notches on left and right sides.



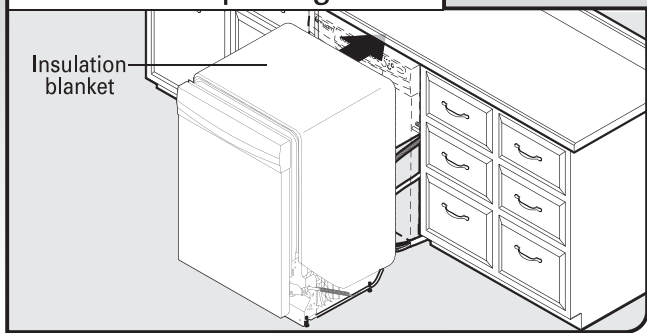
## 5 Door falls open— Increase spring tension



If the door falls open, increase the spring tension by moving the spring end toward the back of the dishwasher.

**NOTE:** Springs should be in the same notches on left and right sides.

## 6 Move dishwasher into cabinet opening

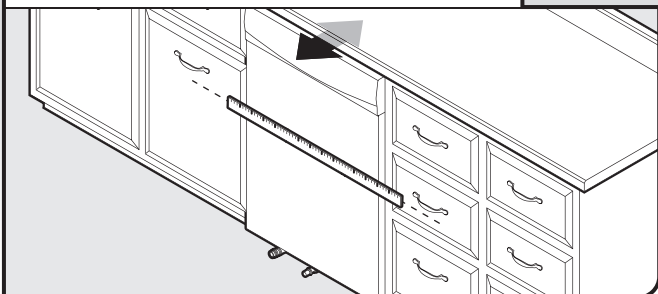


**IMPORTANT:** If rear leveling legs and spacers were removed, cover the floor when moving the dishwasher to avoid damage to the floor. Slowly move dishwasher completely into cabinet opening. Do not kink or pinch water line, drain hose, power supply cord or direct wire between dishwasher and cabinet. Remove cardboard from under dishwasher.

### NOTES:

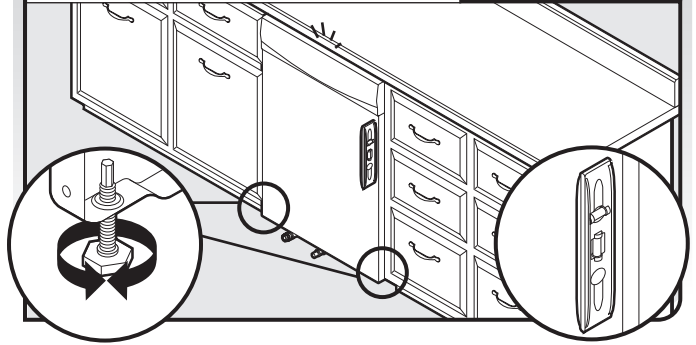
- It is all right if dishwasher fits tightly into cabinet opening. Do not remove insulation blanket – the blanket reduces the sound level.
- If using power cord, make sure to route end through hole in cutout before sliding dishwasher into cabinet opening.

## 7 Align front of dishwasher with front of cabinet doors



Align front of dishwasher door panel with front of cabinet doors. You may need to adjust alignment to be even with your cabinets.

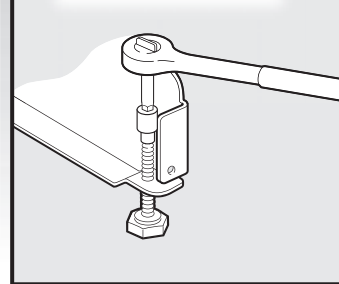
## 8 Check for plumb and adjust legs if needed



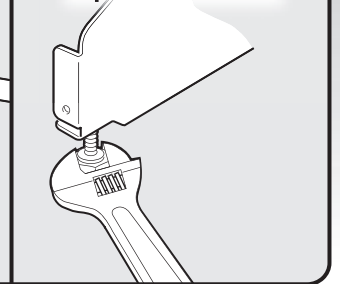
Check that leveling legs are firmly against the floor. Close and latch the door, and place level against the front panel. Check that dishwasher is centered from front to back in the opening. If needed, adjust leveling leg until dishwasher is plumb. Repeat for other side of dishwasher.

**Helpful Tip:** Push up on front of dishwasher to raise dishwasher off the ground to adjust front legs. With some installations, it may be easier to adjust the front leg using the  $\frac{3}{16}$ " hex-head socket or adjustable wrench.

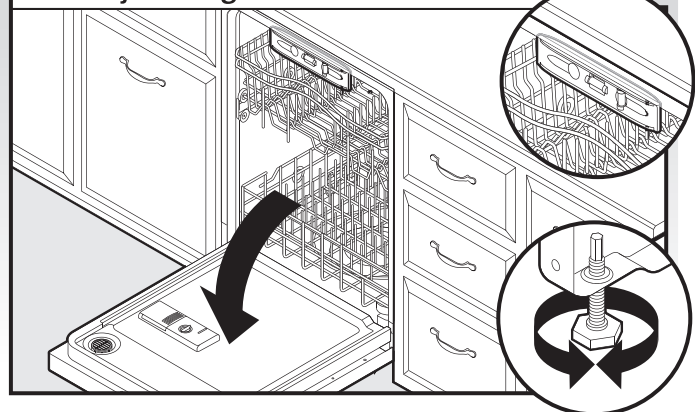
### Preferred method



### Optional method



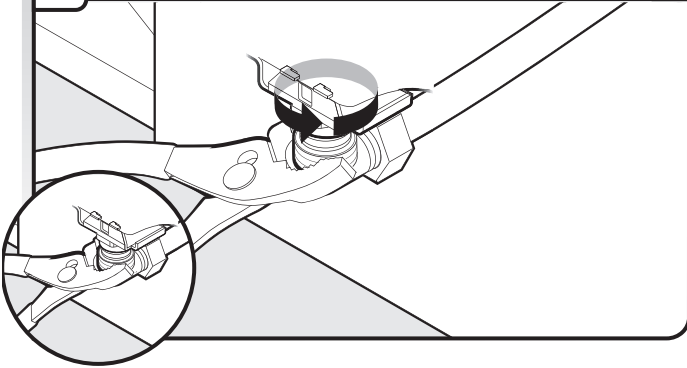
## 9 Check level side-to-side and adjust legs if needed



Place level against top front opening of tub. Check that dishwasher is level from side-to-side. If dishwasher is not level, adjust front legs up or down until dishwasher is level. Close the dishwasher door.

## Connect to Water Supply

### 1 Tighten 90° elbow fitting to valve

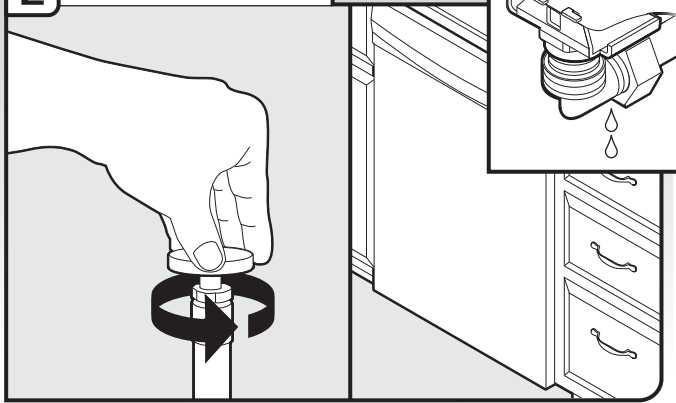


Be sure rubber washer is properly seated in fitting. Slide the  $\frac{3}{4}$ " fitting up to the valve and hand tighten to avoid cross-threading. Hand tighten until the coupling is tight.

Using pliers, check the tightness of the coupling. An additional  $\frac{1}{4}$  to  $\frac{1}{2}$  turn may be required to seal the rubber gasket.

**NOTE:** Do not overtighten. Damage to the coupling can result.

### 2 Check for leaks

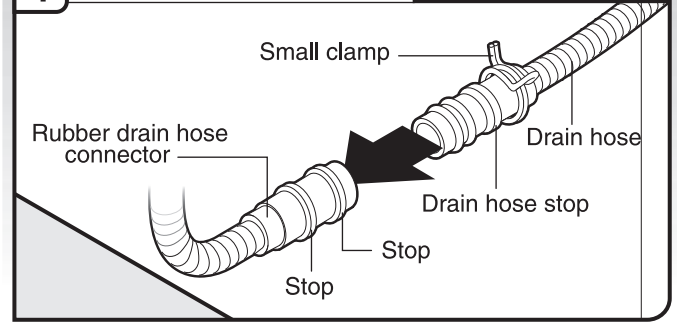


Place paper towel under 90° elbow fitting. Turn on water supply and check for leaks. If leak occurs, repeat previous step.

If needed, see website for animated representation of this step. Visit [www.whirlpool.com/watersupply](http://www.whirlpool.com/watersupply) under FAQ tab.

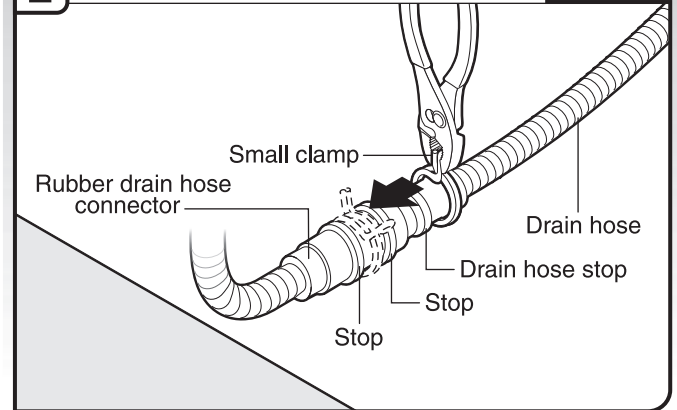
## Connect to Drain

### 1 Connect drain hose



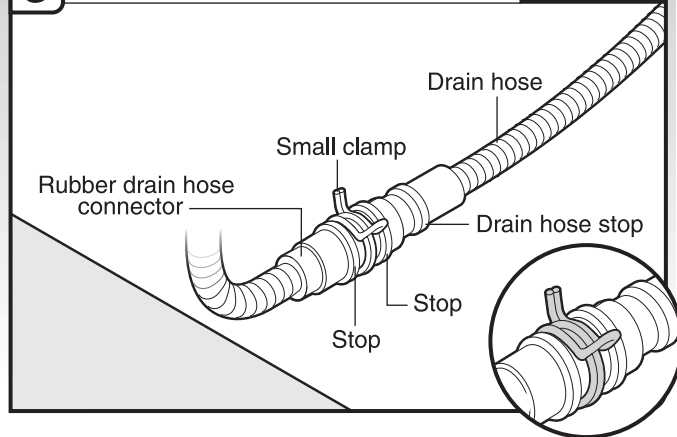
Place towel under drain hose to catch any water in drain hose. Place the small drain hose clamp onto the small end of the drain hose. Push the new drain hose into the rubber drain hose connector up to the drain hose stop.

### 2 Slide clamp onto connector



Using pliers, squeeze open the small drain hose clamp and slide onto connector between stops.

### 3 Hose clamp final position



After hose is connected, remove towel.

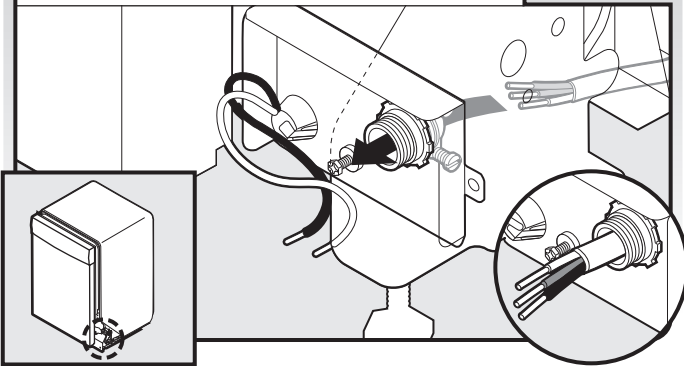
If needed, see website for animated representation of this step. Visit [www.whirlpool.com/drain](http://www.whirlpool.com/drain) under FAQ tab.

## Make Direct Wire Electrical Connection

**NOTE:** If the power supply cord was connected earlier, proceed to "Secure Dishwasher in Cabinet Opening" section.

### Option B, Direct Wire:

#### 1 Direct Wire—Route cable into terminal box



Route cable so that it does not touch dishwasher motor or lower part of dishwasher tub. Pull cable through UL Listed/CSA Approved strain relief in terminal box. Strain relief is not supplied with the dishwasher. Owner must purchase a  $\frac{3}{8}$ " screw-in type strain relief.

Select UL Listed/CSA Approved twist-on wire connectors (not included) rated to connect your household wiring to 16-gauge dishwasher wiring.

## ⚠ WARNING



### Electrical Shock Hazard

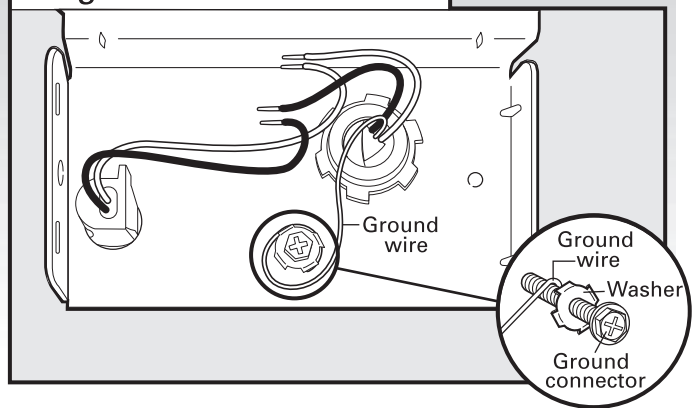
Electrically ground dishwasher.

Connect ground wire to green ground connector in terminal box.

Do not use an extension cord.

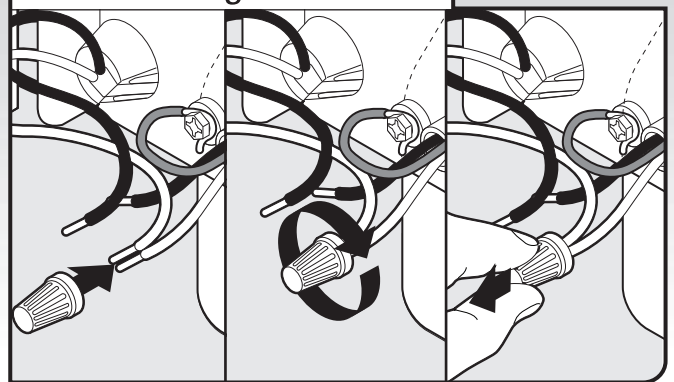
Failure to follow these instructions can result in death, fire, or electrical shock.

#### 2 Direct Wire—Connect ground wire



Form bare ground wire into a U-shaped hook. Wrap ground wire hook clockwise around ground connector screw and under the washer. Securely tighten ground connector screw.

#### 3 Direct Wire—Connect remaining wires



**NOTE:** Do not pre-twist stranded wire. Twist on UL listed/CSA approved wire connector. Gently tug on wires to be sure both are secured.

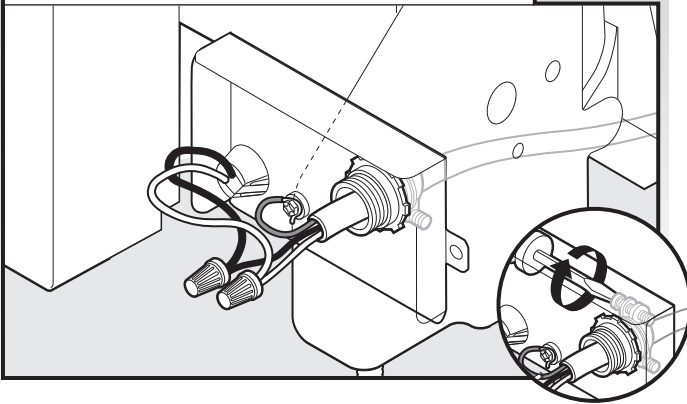
Connect wires black to black and white to white, using UL Listed/CSA Approved twist-on wire connectors (not included).

### Wiring configuration

Power supply wire:	Terminal box wire:
white	white
black	black
ground wire	ground connector

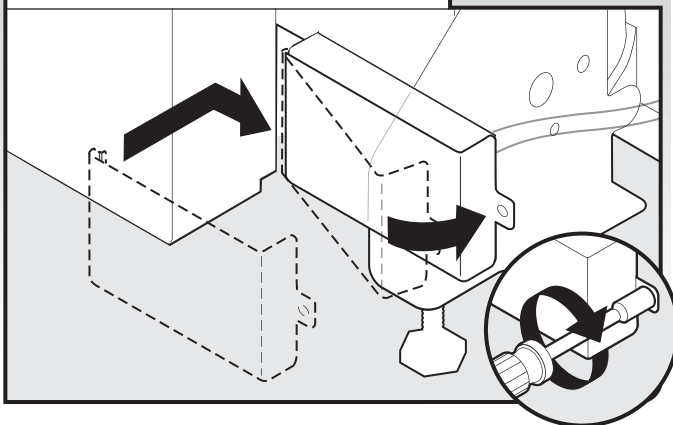
If needed, see website for animated representation of this step. Visit [www.whirlpool.com/electrical](http://www.whirlpool.com/electrical) under FAQ tab.

### 4 Direct Wire—Secure cable in strain relief



Tighten strain relief screws to secure cable.

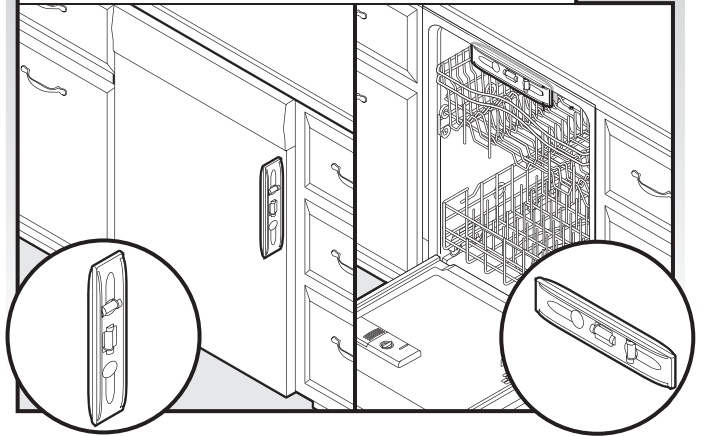
### 5 Direct Wire—Reinstall terminal box cover



Place wires inside terminal box. Insert tabs on left side of cover. Make sure wires are tucked inside box. Close cover ensuring wires are not pinched. Use 1/4" nut driver or Torx® T20® screwdriver and previously removed screw to secure cover.

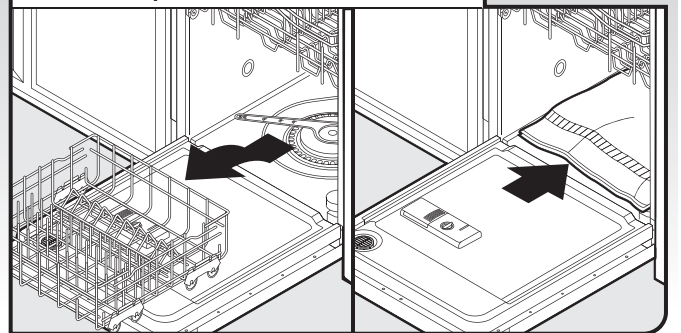
## Secure Dishwasher in Cabinet Opening

### 1 Double-check dishwasher alignment in cabinet opening



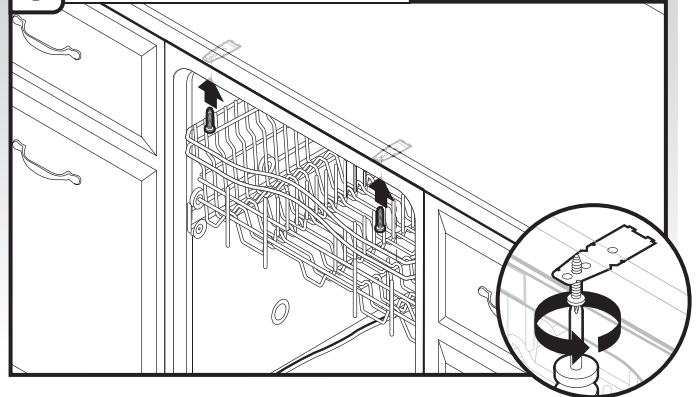
Check that dishwasher is still level front-to-back and side-to-side in cabinet opening.

### 2 Remove lower dish rack and place towel



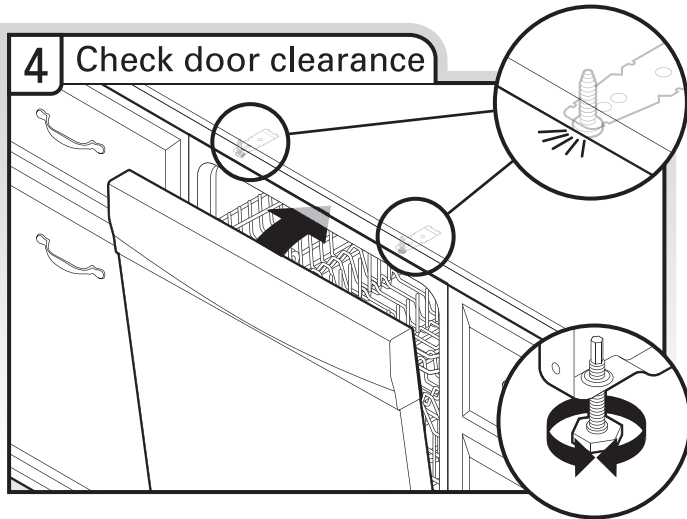
Open dishwasher door, remove lower dish rack, and place towel over pump assembly and lower spray arm of dishwasher. This will keep screws from falling into pump area when you are securing dishwasher to countertop.

### 3 Secure dishwasher

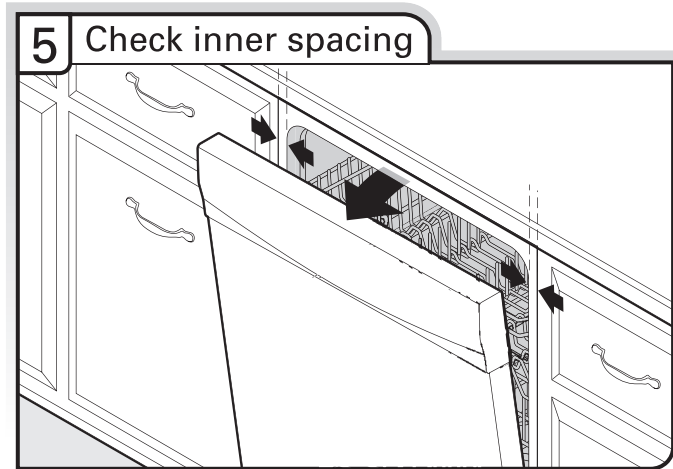


**NOTE:** Do not drop screws into bottom of dishwasher.

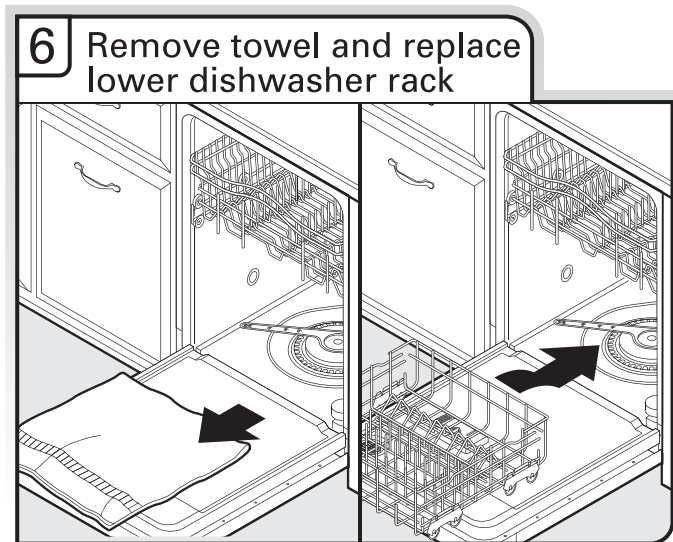
Locate brackets on top of dishwasher and secure dishwasher to countertop with two #10 x 1/2" Phillips-head screws (included). The dishwasher must be secured to keep it from shifting when door is opened.



Check that top of door does not contact screws, brackets or countertop. If it does, adjust leveling legs.

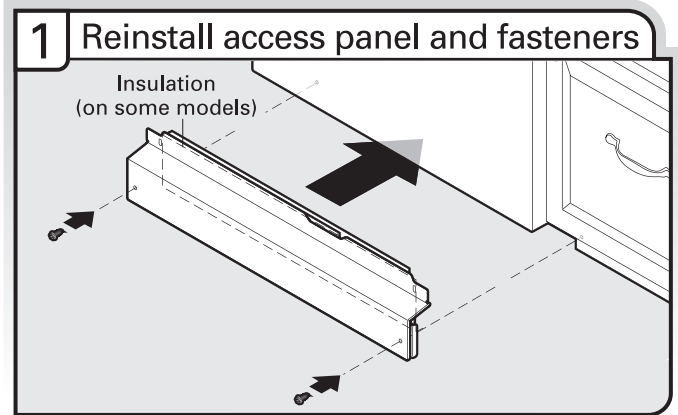


Open door and check that space between dishwasher cabinet opening and tub is equal on both sides. If spacing is not equal, loosen bracket screws secured and shift tub. Tighten bracket screws.

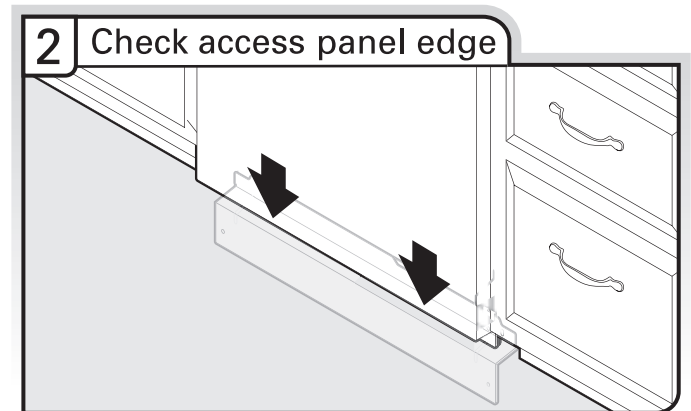


Remove towel from dishwasher. Reinstall the lower dish rack. If needed, see website for animated representation of this step. Visit [www.whirlpool.com/anchoring](http://www.whirlpool.com/anchoring) under FAQ tab.

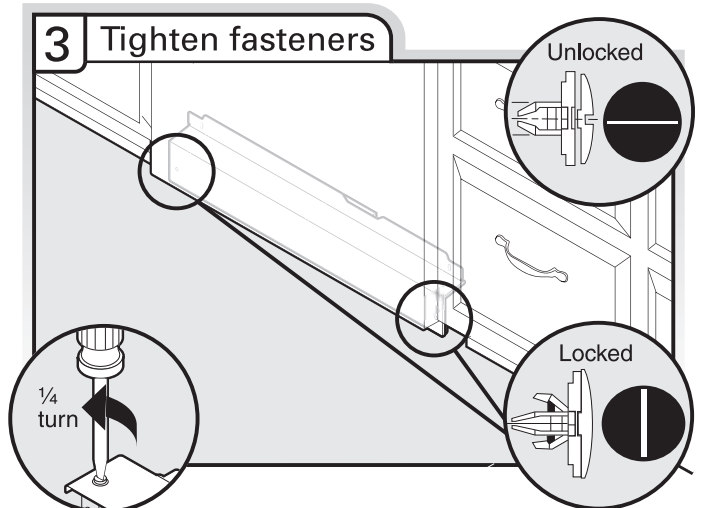
## Complete Installation



Place the plastic access panel against the dishwasher leg.



Check that the lower edge of the access panel touches the floor. Adjust if necessary.



Using a flat-blade screwdriver, turn the fasteners  $\frac{1}{4}$  turn clockwise to lock into place. The fasteners slot will be straight up and down when properly locked.

## ⚠ WARNING



### Electrical Shock Hazard

**Plug into a grounded 3 prong outlet.**

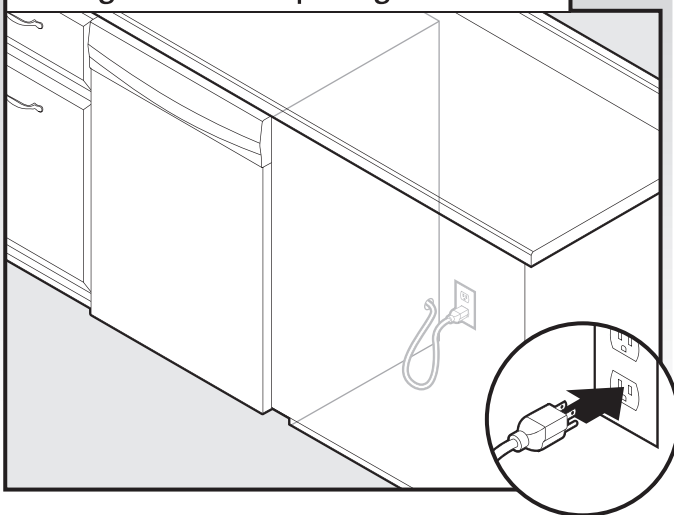
**Do not remove ground prong.**

**Do not use an adapter.**

**Do not use an extension cord.**

**Failure to follow these instructions can result in death, fire, or electrical shock.**

### 1 Power supply cord—Plug into a grounded 3 prong outlet



Plug into a grounded 3 prong outlet. Check that power supply cord does not touch dishwasher motor or lower part of dishwasher tub.

### Reconnect Power

### 1 Reconnect power

Reconnect electrical power at the fuse box or circuit breaker box.

## Check Operation

- Read the Dishwasher User Instructions that came with your dishwasher.
- Check that all parts have been installed and no steps were skipped. Check that you have all tools used.
- Start dishwasher and allow it to complete the shortest wash cycle. After the first 2 minutes, unlatch door, wait 5 seconds, then open door. Check that there is water in the bottom of the dishwasher tub. Check that dishwasher is working properly.

If the dishwasher is not working properly, disconnect power or unplug dishwasher and see “If Dishwasher Does Not Operate” section.

## If Dishwasher Does Not Operate

First try the solutions suggested here to possibly avoid the cost of a service call.

- Has the circuit breaker tripped or the house fuse blown?
- Is the door closed tightly and latched?
- Has the cycle been set correctly to start the dishwasher?
- Is the water turned on?

If none of these possible solutions work, please see the Use and Care Guide for service contact information.

## Additional Tips

Expect longer wash times. Your new dishwasher will average 2-3 hours per load, but use nearly 40% less energy than older models. Designed with a low wattage, low energy consumption motor, your dishwasher washes longer to ensure exceptional cleaning. Certain models are equipped with an optical water sensor so the first cycle will run longer to calibrate to optical sensor. Selecting certain options could increase cycle time past 3.5 hours.

Rinse aid should be used for good drying results: For models with rinse aid dispensers, use rinse aid for good drying performance and controlling buildup of hard water deposits. Energy efficient dishwashers use less water and energy, so they depend on the water sheeting action of rinse aid for good drying performance.

Start/Resume light may flash:

When pressing Start/Resume, you must make sure the door is closed within 3 seconds. If you do not close the door within 3 seconds, the Start/Resume light will flash until you press it again. (You must also do this when adding a dish during the middle of a cycle.)

**NOTE:** If a braided supply hose is used, replace inlet hose after 5 years to reduce the risk of hose failure. Record hose installation or replacement dates on the hose for future reference.

---

## Notes