
Installation Instructions Undercounter Dishwasher

Instructions d'installation Lave-vaisselle encastré

Table of Contents.....	2
Table des matières.....	15

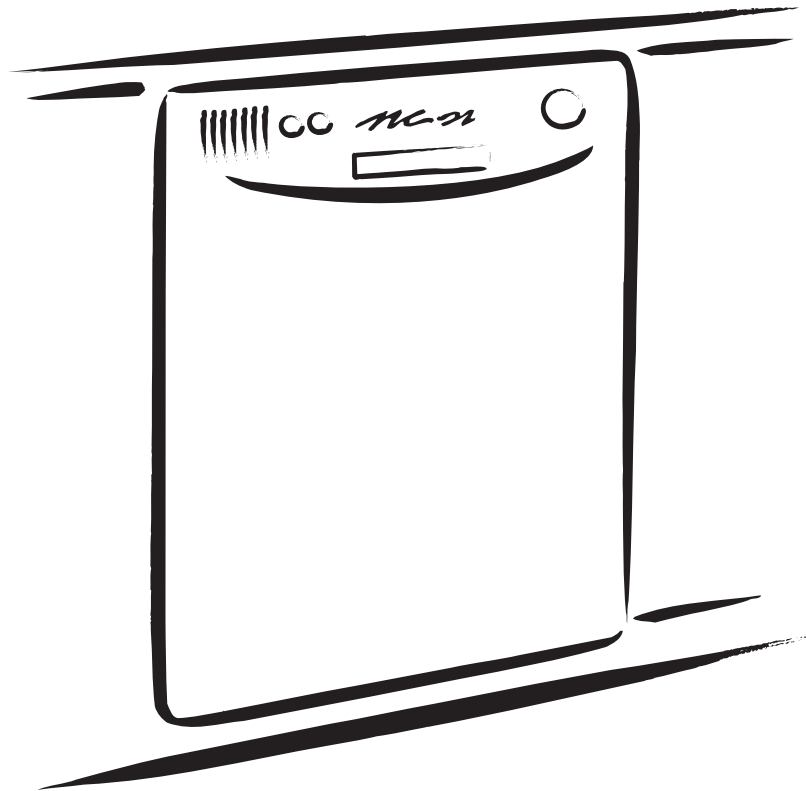


Table of Contents

Dishwasher Safety	2
Installation Requirements	3
Tools and parts	3
Location Requirements	3
Drain Requirements	5
Water Supply Requirements	5
Electrical Requirements	5

Installation Instructions	6
Prepare cabinet opening using existing utility hookups	6
Prepare cabinet opening where there are no existing utility hookups	7
Prepare dishwasher	9
Make electrical connection	11
Connect to water supply	12
Connect to drain	13
Secure dishwasher in cabinet opening	13

Dishwasher Safety

Your safety and the safety of others are very important.

We have provided many important safety messages in this manual and on your appliance. Always read and obey all safety messages.



This is the safety alert symbol.

This symbol alerts you to potential hazards that can kill or hurt you and others.

All safety messages will follow the safety alert symbol and either the word "DANGER" or "WARNING."

These words mean:

⚠ DANGER

You can be killed or seriously injured if you don't immediately follow instructions.

⚠ WARNING

You can be killed or seriously injured if you don't follow instructions.

All safety messages will tell you what the potential hazard is, tell you how to reduce the chance of injury, and tell you what can happen if the instructions are not followed.

⚠ WARNING



Tip Over Hazard

Do not use dishwasher until completely installed.

Do not push down on open door.

Doing so can result in serious injury or cuts.

You need to:

- Slowly open dishwasher door while someone grasps the rear of the dishwasher. Remove shipping materials, drain hose and lower rack. Close dishwasher door until latched.
- Observe all governing codes and ordinances.
- Install this dishwasher as specified in these instructions.
- Installation should be performed by a qualified service technician. The dishwasher must be installed to meet all electrical and plumbing national and local codes and ordinances.

Installation Requirements

Tools and Parts

Gather the required tools and parts before starting installation.

All installations

Tools needed:

- Phillips screwdriver
- Flat - blade screwdriver
- measuring tape or ruler
- 6" adjustable wrench
- small level
- flashlight
- shallow pan
- Level

Parts needed:

- 90° elbow with 3/8" N.P.T. external threads on one end. (The other end must fit your water supply line.)
- thread seal tape
- 3 UL listed wire nuts
- One 1-1/2" - 2" screw type clamp

In addition, for new installations

Tools needed:

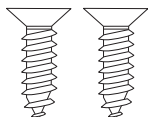
- electric drill with 1/2", 3/4" and 1-1/2" hole saw bits
- small tubing cutter

Parts needed:

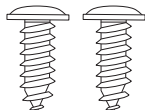
- copper tubing (3/8" recommended)
- clamp connector (strain relief) to fit 7/8" (22.2cm) diameter hole.
- One 1-1/2" - 2" screw type clamp if connecting to waste-tee

Parts supplied

- A. 2 - # 8 x 5/8" Phillips flat head wood screws
- B. 4 - Phillips head, color matched toekick screws



A



B

Make sure these parts are included.

See separate parts list for accessories available for your dishwasher.

Location Requirements

Do not run drain lines, water lines or electrical wiring where they can interfere with or contact dishwasher motors or legs.

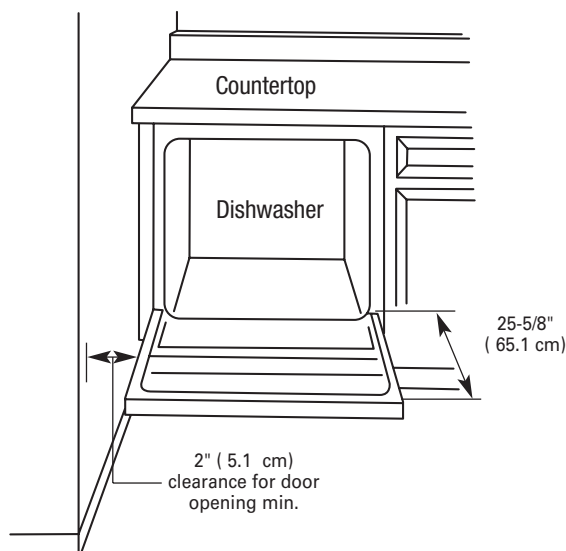
The location where the dishwasher will be installed must provide clearance between motors and flooring. Motors should not touch the floor.

Do not install dishwasher over carpeted flooring.

Protect dishwasher and water lines leading to dishwasher against freezing. Damage from freezing is not covered by the warranty.

Check location where dishwasher will be installed. The location must provide:

- easy access to water, electricity and drain.
- convenient access for loading and unloading dishes. Corner locations require a 2" (5.1 cm) minimum clearance between the side of the dishwasher door and the wall or cabinet.
- there must be a minimum of 25-5/8" (65.1 cm) in front of dishwasher to allow door to open fully.



- Fully enclosed on both sides, back, and top.
- square opening for proper operation and appearance.
- cabinet front perpendicular to floor.
- level floor. (If floor at front of opening is not level with floor at rear of opening, shims may be needed to level dishwasher.)

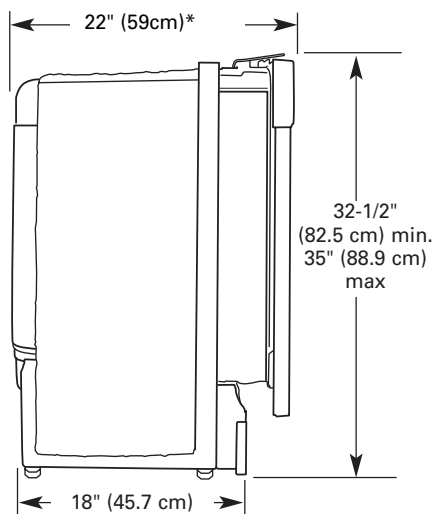
NOTE: To prevent shifting during dishwasher operation, shims must be securely attached to the floor.

If dishwasher will be left unused for a period of time or in a location where it may be subject to freezing, have it winterized by authorized service personnel.

Make sure pipes, wires and drain hose are within the shaded area shown in the "Cutout dimensions" section.

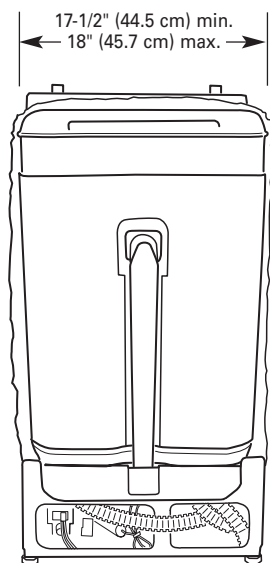
Helpful Tip: If the floor in the dishwasher opening is uneven (example: tile flooring only partway into opening) you will need to take special care in measuring dimensions and in leveling dishwasher.

Product dimensions



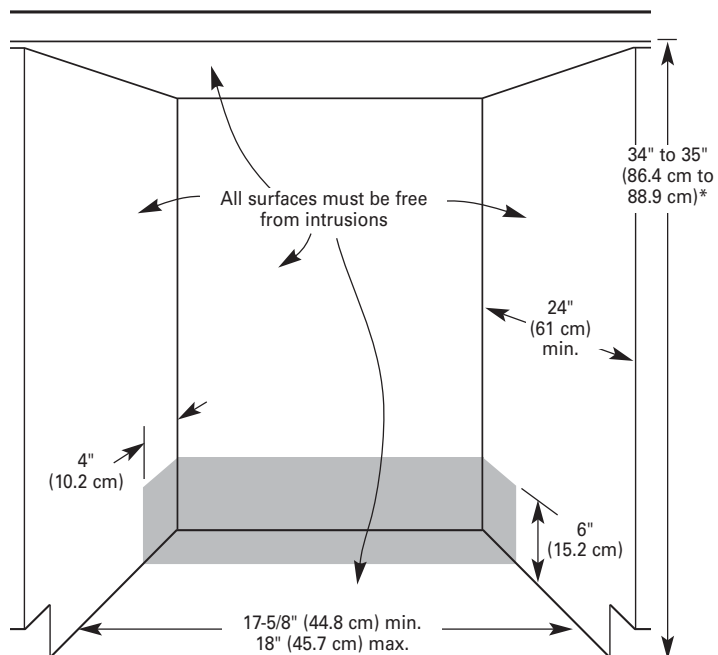
* to front of door frame

SIDE VIEW



REAR VIEW

Cutout dimensions



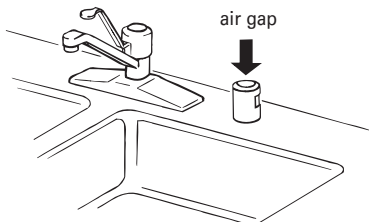
*Underside of countertop to floor.

Cut holes in shaded area of cabinet walls or floor for plumbing and electrical service.

Note: ADA installation, 32-1/2" (82.5 cm) beneath 34" (86.4 cm) high countertops may be accomplished by adjusting the toekick and leveling legs.

Drain Requirements

- Use the new drain hose supplied with your dishwasher. If this is not long enough, use a new drain hose with a maximum length of 10 feet (3.05 m) that meets all current AHAM/IAPMO test standards, is resistant to heat and detergent, use 5/8" (1.58cm) or 7/8" (2.2cm) inside diameter hose and a coupler to connect the two hose ends. Secure the connection with two clamps
- Connect drain hose to waste tee or disposer inlet above drain trap in house plumbing and 32" (81.3 cm) minimum above the floor. It is recommended that the drain hose either be looped up and securely fastened to the underside of the counter, or be connected to an air gap.
- Use an air gap if the drain hose is connected to house plumbing lower than 18" (45.7 cm) above floor.



- Use 1/2" minimum I.D. drain line fittings.
- Do not connect drain lines from other devices to the dishwasher drain hose.

Water Supply Requirements

- A hot water line with 20-120 psi (138-862 kPa) water pressure.
- 120°F (49°C) water at dishwasher.
- 3/8" O.D. copper tubing with compression fitting or flexible stainless steel braided fill line (1/2" minimum plastic tubing is not recommended).
- A 90° elbow with 3/8" N.P.T. external pipe threads on one end.

Do not solder within 6" (15.2 cm) from water inlet valve.

Electrical Requirements

Contact a qualified electrician.

Assure that the electrical installation is adequate and in conformance with all national and local codes and ordinances.

You must have:

- 120 volt, 60 Hz, AC-only, 15 or 20 amp., fused electrical supply.
- Wiring must be 2 wire with ground.

We recommend:

- A time-delay fuse or circuit breaker.
- A separate circuit.

If direct wiring dishwasher:

- Use flexible, armored or non-metallic sheathed, copper wire with grounding wire that meets the wiring requirements for your home and local codes and ordinances.

If connecting dishwasher with a power supply cord:

- Use Power Supply Cord Kit (Part No. 4317824) marked for use with dishwashers. Kit contents include:
 - UL listed 16 gauge 3 wire power supply cord with 3 prong grounded plug.
 - Neer C-500 7/8 inch strain relief.
 - 3 wire connectors.
 - Part No. 302797 grommet

Follow the kit instructions for installing the power supply cord.

- Power supply cord must plug into a mating three prong, grounded outlet, located in the cabinet next to the dishwasher opening. Outlet must meet all local codes and ordinances.

Installation Instructions

⚠ WARNING



Electrical Shock Hazard

Disconnect electrical power at the fuse box or circuit breaker box before installing dishwasher.

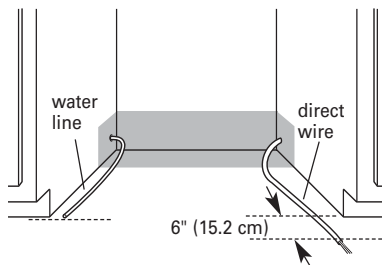
Failure to do so can result in death or electrical shock.

1. Disconnect power.
2. Turn off water supply.

Prepare cabinet opening using existing utility hookups

- Follow the steps in this section if you are installing the dishwasher in an existing cabinet opening with utility hookups.
- If you are installing the dishwasher in a cabinet opening that does not have hookups, follow the steps under "Prepare cabinet opening where there are no existing utility hookups" section.

1. Check that the water line reaches to the front left of opening where the water connection will be made.
2. Check that the direct wire reaches to the front right of opening where the electrical connection will be made.

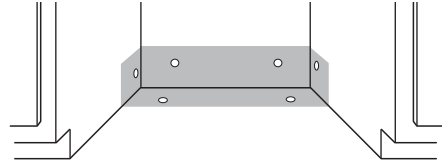


If the water line and the direct wire reach far enough into the opening, proceed to the next section "Install the drain hose." If they do not reach far enough, follow the steps under "Prepare cabinet opening where there are no existing utility hookups."

Install the drain hose

IMPORTANT: Always use a new drain hose even when installing a new replacement dishwasher.

1. Drill a 1-1/2" (3.8 cm) diameter hole in cabinet wall or floor on the side of the opening closest to the sink.



2. Connect drain hose to waste tee or waste disposer using one of the following methods:
 - Option 1, Waste disposer – with air gap
 - Option 2, No waste disposer – with air gap
 - Option 3, Waste disposer – no air gap*
 - Option 4, No waste disposer – no air gap*

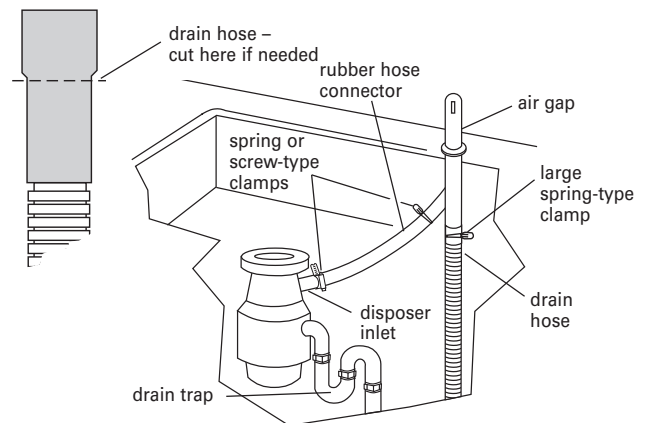
*an air gap is recommended

Helpful Tip: To reduce the vibration of the hose, keep the hose away from the floor and the edge of the hole where it passes through the cabinet.

Option 1, Waste disposer – with air gap:

1. Remove the disposer knockout plug. Cut end of drain hose if needed (do not cut ribbed section).
2. Attach drain hose to air gap with large spring-type clamp. If the drain hose was cut, use a 1-1/2" to 2" (3.8 to 5 cm) screw-type clamp*.
3. Use a rubber hose connector* with spring or screw-type clamps* to connect air gap to disposer inlet.

This connection must be before the drain trap and at least 20" (50.8 cm) above the floor where dishwasher will be installed.

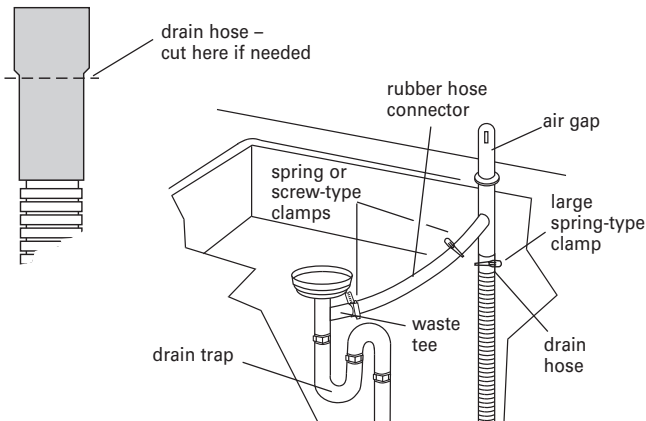


* Parts available from local plumbing supply store.

Option 2, No waste disposer – with air gap:

1. Cut end of drain hose if needed (do not cut ribbed section).
2. Attach drain hose to air gap with large spring-type clamp. If the drain hose was cut, use a 1-1/2" to 2" (3.8 to 5 cm) screw-type clamp*.
3. Use a rubber hose connector* with spring or screw-type clamps* to connect air gap to waste tee.

This connection must be before the drain trap and at least 20" (50.8 cm) above the floor where dishwasher will be installed.

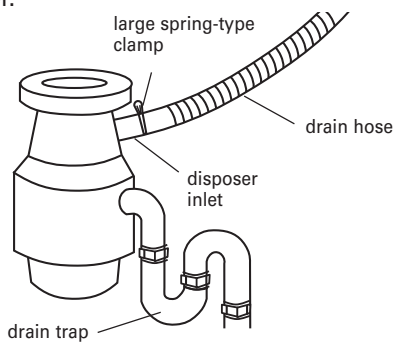


* Parts available from local plumbing supply store.

Option 3, Waste disposer – no air gap:

1. Remove the disposer knockout plug. Do not cut end of drain hose.
2. Attach drain hose to disposer inlet with large spring-type clamp.

This connection must be before the drain trap and at least 20" (50.8 cm) above the floor where dishwasher will be installed. It is recommended that the drain hose be looped up and securely fastened to the underside of the counter.

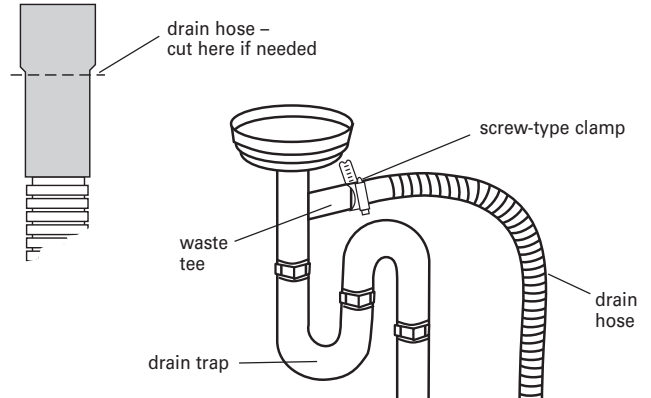


* Parts available from local plumbing supply store.

Option 4, No waste disposer – no air gap:

1. Cut end of drain hose if needed (do not cut ribbed section).
2. Attach drain hose to waste tee with 1-1/2" to 2" (3.8 to 5 cm) screw-type clamp*.

This connection must be before the drain trap and at least 20" (50.8 cm) above the floor where dishwasher will be installed. It is recommended that the drain hose be looped up and securely fastened to the underside of the counter.



* Parts available from local plumbing supply store.

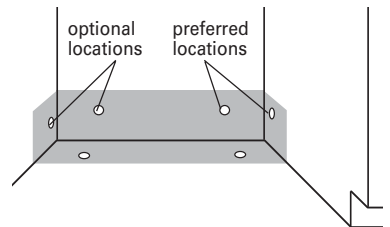
Prepare cabinet opening where there are no existing utility hookups

Electrical connection

Option1, Direct wire method:

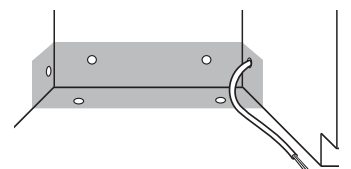
Helpful Tip: Wiring the dishwasher will be easier if you route wire into the cabinet opening from the right side.

1. Drill a 3/4" (1.9 cm) hole in right-hand cabinet side, rear or floor. Preferred and optional locations are shown.



2. Wood cabinet: Sand hole until smooth.
Metal cabinet: Cover hole with grommet, not provided.

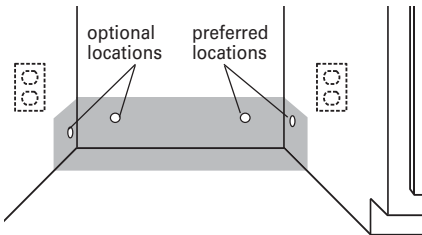
3. Route cable from power supply through cabinet hole (cable must extend to the right front side of cabinet opening). Tape cable to the floor 6" in front of unit. This will prohibit cable from moving when dishwasher is moved into cabinet opening.



Option 2, Power supply cord method:

NOTE: A mating, three prong, ground-type wall receptacle is required in a cabinet next to the dishwasher opening.

1. Drill a 1-1/2" (3.8 cm) hole in the cabinet rear or side. Preferred and optional locations are shown.



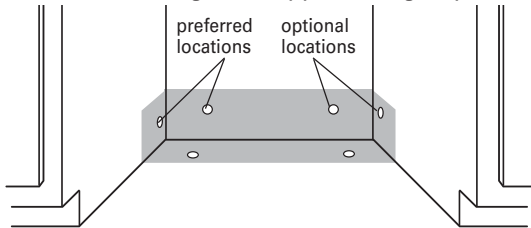
2. Wood cabinet: Sand hole until smooth.

Metal cabinet: Cover hole with grommet (Part No. 302797) included with power supply cord kit.

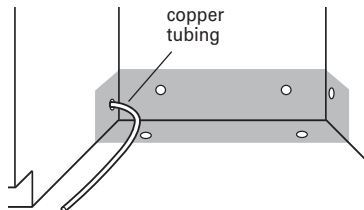
Install the water line

Helpful Tip: Routing the water line through the left side of cabinet opening will make water connection easier.

1. Drill a minimum 1/2" (1.3 cm) hole in the cabinet side, rear or floor. Preferred and optional locations are shown.
2. Measure overall length of copper tubing required.



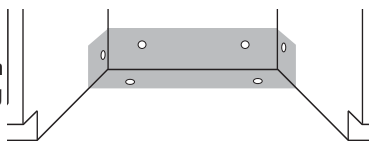
3. Attach copper tubing to the water line with a manual shutoff valve.
4. Slowly feed copper tubing through hole in cabinet. Copper tubing will bend and kink easily, so be gentle. The copper tubing should be far enough into the cabinet opening to connect it to dishwasher inlet on the front left of the dishwasher.
5. Turn water shutoff valve to "ON" position. Flush water into a shallow pan to get rid of particles that may clog the inlet valve.
6. Turn shutoff valve to "OFF" position.



Install the drain hose

IMPORTANT: Always use a new drain hose.

1. Drill a 1-1/2" (3.8 cm) diameter hole in cabinet wall or floor on the side of the opening closest to the sink.



2. Connect drain hose to waste tee or waste disposer using one of the following methods:

- Option 1, Waste disposer – with air gap
- Option 2, No waste disposer – with air gap
- Option 3, Waste disposer – no air gap*
- Option 4, No waste disposer – no air gap*

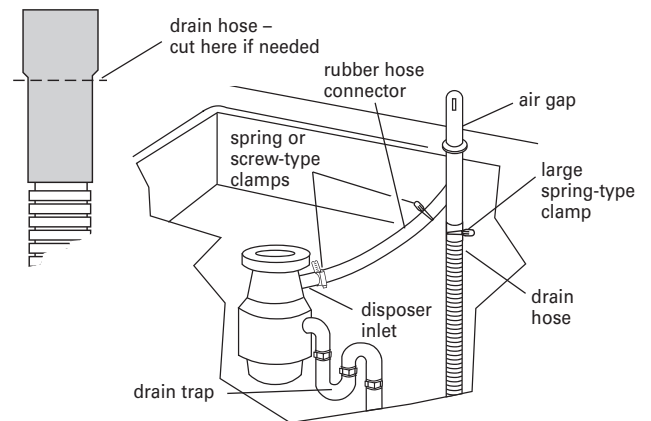
*an air gap is recommended

Helpful Tip: To reduce the vibration of the hose, keep the hose away from the floor and the edge of the hole where it passes through the cabinet.

Option 1, Waste disposer – with air gap:

1. Remove the disposer knockout plug. Cut end of drain hose if needed (do not cut ribbed section).
2. Attach drain hose to air gap with large spring-type clamp*. If the drain hose was cut, use a 1-1/2" to 2" (3.8 to 5 cm) screw-type clamp*.
3. Use a rubber hose connector* with spring or screw-type clamps* to connect air gap to disposer inlet.

This connection must be before the drain trap and at least 20" (50.8 cm) above the floor where dishwasher will be installed.

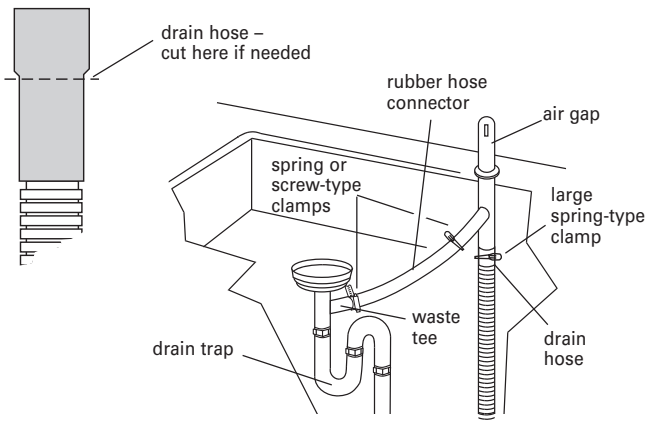


* Parts available from local plumbing supply store.

Option 2, No waste disposer – with air gap:

1. Cut end of drain hose if needed (do not cut ribbed section).
2. Attach drain hose to air gap with large spring-type clamp. If the drain hose was cut, use a 1-1/2" to 2" (3.8 to 5 cm) screw-type clamp*.
3. Use a rubber hose connector* with spring or screw-type clamps* to connect air gap to waste tee.

This connection must be before the drain trap and at least 20" (50.8 cm) above the floor where dishwasher will be installed.

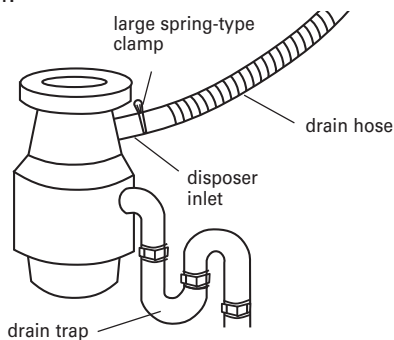


* Parts available from local plumbing supply store.

Option 3, Waste disposer – no air gap:

1. Remove the disposer knockout plug. Do not cut end of drain hose.
2. Attach drain hose to disposer inlet with large spring-type clamp.

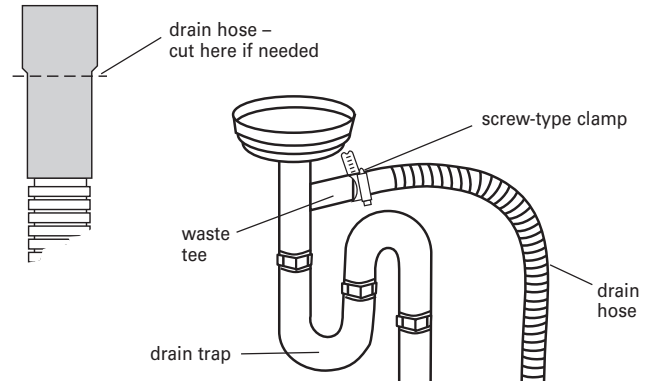
This connection must be before the drain trap and at least 20" (50.8 cm) above the floor where dishwasher will be installed. It is recommended that the drain hose be looped up and securely fastened to the underside of the counter.



* Parts available from local plumbing supply store.

Option 4, No waste disposer – no air gap:

1. Cut end of drain hose if needed (do not cut ribbed section).
 2. Attach drain hose to waste tee with 1-1/2" to 2" (3.8 to 5 cm) screw-type clamp*.
- This connection must be before the drain trap and at least 20" (50.8 cm) above the floor where dishwasher will be installed. It is recommended that the drain hose be looped up and securely fastened to the underside of the counter.



* Parts available from local plumbing supply store.

Prepare dishwasher

! WARNING



Tip Over Hazard

**Do not use dishwasher until completely installed.
Do not push down on open door.
Doing so can result in serious injury or cuts.**

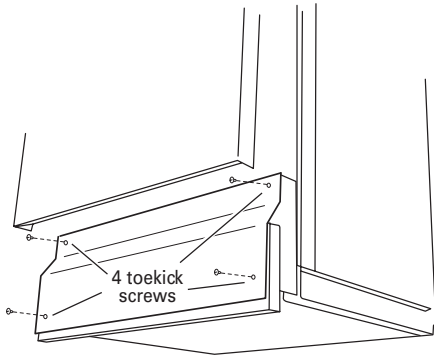
! WARNING

Excessive Weight Hazard

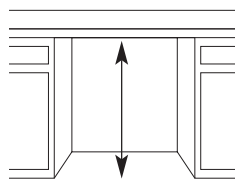
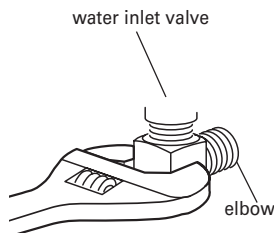
**Use two or more people to move and install dishwasher.
Failure to do so can result in back or other injury.**

1. Grasp sides of dishwasher door frame and put dishwasher on its back.

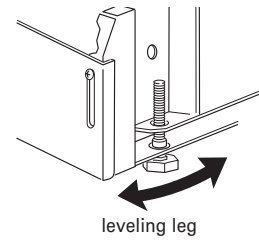
- Remove four screws attaching toekick panel and lower panel to dishwasher using a Phillips screwdriver.
- Remove panels and set panels aside on a protective surface.



- Apply thread seal tape to 90° elbow fitting and connect fitting to water inlet valve.
 - Tighten elbow until snug, and be sure that it faces to the rear.
 - Remove top screw and slide cover to the right to remove terminal box cover.
 - If you are direct wiring: install a U.L.-listed/CSA-certified clamp connector to the terminal box. If using conduit, use a U.L.-listed/CSA-certified conduit connector.
 - If you are installing a power supply cord kit, do so now, following kit instructions. The power supply cord kit must be U.L.-listed and marked for use with dishwashers (i.e. Power Supply Cord Kit part no. 4317824).
- Helpful Tip:** Put cardboard under dishwasher until it is installed in cabinet opening. The cardboard will help protect floor covering during installation.
- Measure height of cabinet opening from underside of countertop to floor where dishwasher will be installed (you need the lowest point).



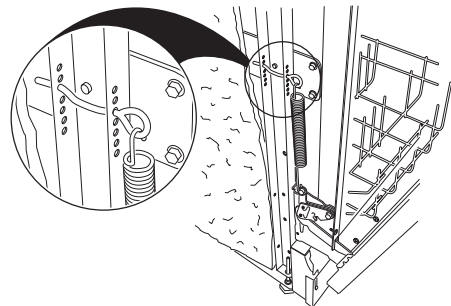
- Extend leveling legs out from the dishwasher base, 1/4" less than opening height.



Check door spring tension

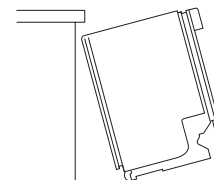
With another person holding the dishwasher to prevent it from tipping, open and close the door a few times. If the door closes too quickly or falls open under its own weight, the door tension will need to be adjusted.

- If the door closes too quickly, decrease the spring tension by pulling the spring adjustment pin out of its hole and reinsert it in the next lower hole toward the bottom of the dishwasher.
- If the door falls open, increase the spring tension by pulling the spring adjustment pin out of its hole and reinserting it in the next higher hole toward the top of the dishwasher.
- Spring adjustment pins should be in the same holes on both the left and right sides.



Move dishwasher into cabinet opening

- Using two or more people, stand the dishwasher up.
- Grasp the sides of the dishwasher at the edges of the door panel.
- Move dishwasher close to cabinet opening. Do not push on the front of the panel or on the console—they may dent.



- If dishwasher has a power supply cord, insert power supply cord into hole cut into cabinet. If using direct wire, check that it is on the right front side of opening.

5. Check that water line is on the left side of opening and insert the drain hose through the hole in cabinet.
6. Slowly move dishwasher completely into cabinet opening so that the front corners of the dishwasher door are flush with the cabinet doors. Do not kink or pinch copper tubing, drain hose, power supply cord or direct wire between dishwasher and cabinet.

Helpful Tip: Once the dishwasher is in position, you may have to support the front of the dishwasher by raising, lowering or shimming front feet.

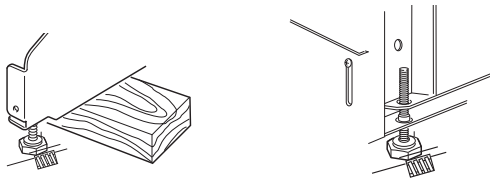
7. Remove cardboard from under dishwasher.

NOTE: It is all right if dishwasher fits tightly into cabinet opening. Do not remove insulation blanket —the blanket reduces the sound level.

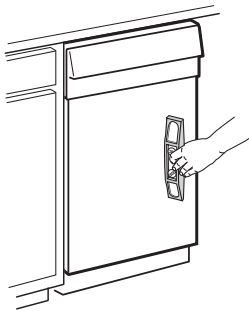
Level the dishwasher

1. Align front of dishwasher door panel with cabinet doors. You may need to adjust alignment to be even with your cabinets.

Helpful Tip: Prop up one side of frame to hold dishwasher up off floor when adjusting front legs. With some installations, it may be easier to adjust the front leg using the 6" adjustable wrench.



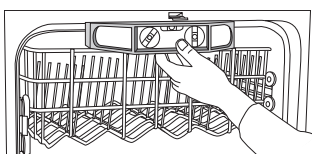
2. Check that leveling legs are firmly against the floor.
3. Close and latch the door, and place level against the front panel. Check that dishwasher is plumb. If needed, adjust leveling leg or add shims until dishwasher is plumb.



4. Repeat for other side of dishwasher.

NOTE: Shims must be securely attached to floor to prevent their movement when the dishwasher is operated.

5. Place level against top front opening of tub. Check that dishwasher is level from side to side. If dishwasher is not level, adjust front legs up or down until dishwasher is level.



Make Electrical Connection

Check "Electrical requirements" section.

You need to:

- have the correct electrical supply and recommended grounding method.

If you are:

- direct wiring, use Option 1
- using a power supply cord, use Option 2

Option 1, Direct wire method



Electrical Shock Hazard

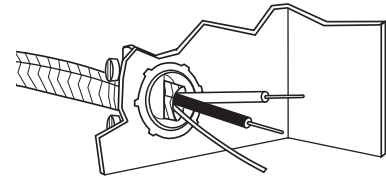
Electrically ground dishwasher.

Connect ground wire to green ground connector in terminal box.

Do not use an extension cord.

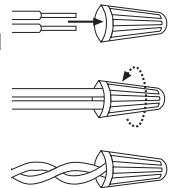
Failure to follow these instructions can result in death, fire, or electrical shock.

1. Route direct wire so that it does not touch dishwasher motor or lower part of dishwasher tub.
2. Pull direct wire through hole in terminal box.



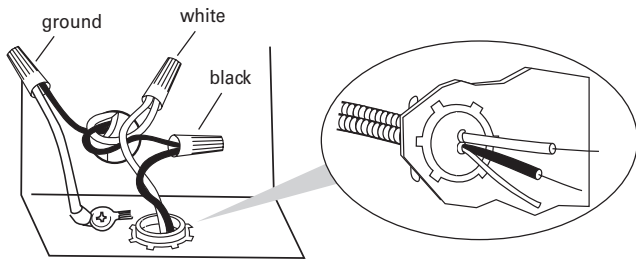
Helpful Tip:

- Select the proper size twist-on connectors to connect your household wiring to 16-gauge dishwasher wiring.
- Insert wire ends into twist-on connector. Do not pre-twist bare wire.
- Twist connector.
- Gently tug on wires to be sure both are secured.

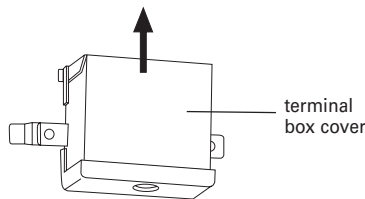


3. Connect the wires as follows using twist-on connectors sized to connect direct wire to 16-gauge dishwasher wire:

Power supply wire:	Terminal box wire:
white	white
black	black
ground wire	ground connector



4. Tighten clamp connector or conduit connector screws.
5. Reinstall terminal box cover with wires inside terminal box.
The cover must be outside the box on the left side.



6. Make sure no wires are pinched by cover.

Option 2, Power supply cord method

⚠ WARNING



Electrical Shock Hazard

Plug into a grounded 3 prong outlet.

Do not remove ground prong.

Do not use an adapter.

Do not use an extension cord.

Failure to follow these instructions can result in death, fire, or electrical shock.

The power cord and connections must comply with the National Electrical Code, Section 422 and/or local codes and ordinances. Recommended power cord length is 54" min. and 64" max.

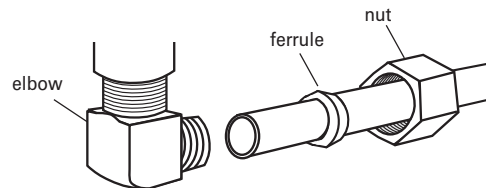
1. Remove terminal box cover.
2. Connect incoming power cord white (or ribbed) wire to dishwasher white wire, black (or smooth) wire to black wire and ground wire to dishwasher green wire. Use UL listed wire nuts of the appropriate size for connections.
3. Replace terminal box cover. Make sure wires are not pinched under the cover.
4. Plug power cord into a grounded 3 prong outlet.
5. Check the power supply cord does not touch dishwasher motor or lower part of dishwasher tub.

Connect to water supply

Helpful Tip:

Compression fittings:

- a. Slide nut onto copper tubing about 1" (2.5 cm).
- b. Slide ferrule onto the tubing. Do not position ferrule on the end of the tubing.
- c. Put the tubing into the elbow as far as it will go.
- d. Slide the nut and ferrule forward and start the nut onto the elbow threads. Be gentle when handling and positioning the copper tubing, it bends and kinks easily.



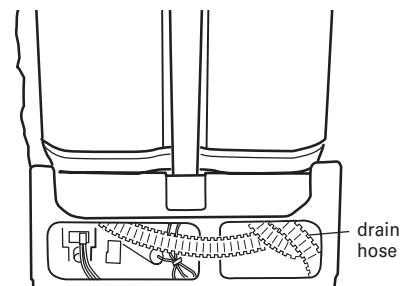
1. To prevent vibration during operation, route the water supply line so that it does not touch the dishwasher base, frame or motor.
2. With copper tubing pushed into compression fitting as far as it will go, use a wrench and tighten compression fitting nut to elbow on water inlet valve. Do not use Teflon® tape with compression fittings.



3. Place paper towel under elbow. Turn on water supply and check for leaks.

Connect to drain

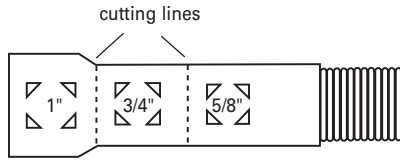
1. To help minimize vibration, route drain hose to avoid contact with motor, door springs, water line, cabinet, flooring or the edge of the hole where it passes through the cabinet.
2. Do not remove drain loop from side of dishwasher.
3. Place pan under end of drain hose. Pan will collect any water in drain hose.



Remove towel from dishwasher.

- The drain hose molded end will fit 5/8" (16mm), 3/4" (19mm) or 1" (25.4mm) diameter connections on the air gap, waste tee or disposer. Cut on the marked line as required for your installation.

IMPORTANT: Do not cut corrugated portion of hose.

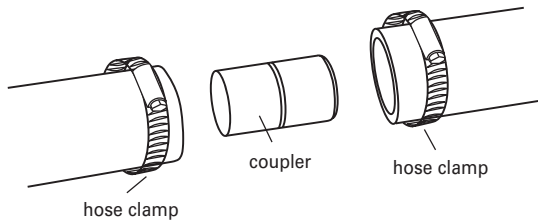


If a longer drain hose is required, add up to 42" (1.07m) of length for a total of 10 ft (3.05m) to the factory installed hose.

- Use 5/8" or 7/8" inside diameter hose and a coupler to connect the two hose ends. Secure the connection with hose clamps.

Secure the drain hose to the air gap, waste tee or disposer with clamps.

NOTE: Total drain hose length must not exceed 10 ft (3.05m), for proper drain operation.



Securing dishwasher to countertop

⚠ WARNING

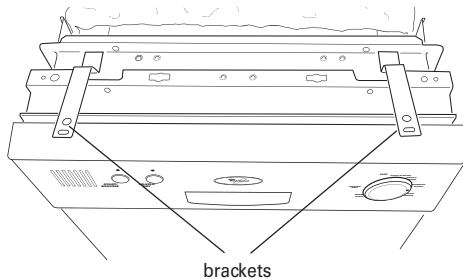
Excessive Weight Hazard

Use two or more people to move and install dishwasher.

Failure to do so can result in back or other injury.

Using two or more people, stand the dishwasher up.

The dishwasher must be secured to the countertop by the two brackets on top of the dishwasher.



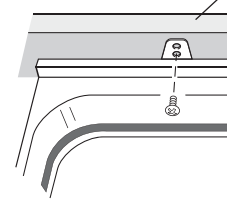
Method 1

The dishwasher must be secured to wood countertop.

- Open the dishwasher door and remove the lower dish rack.
- Place a towel over the pump assembly and spray arm of dishwasher to keep screws from falling into pump area during installation.

- Check that the dishwasher is level and centered side to side in the opening.
- Check that the tub flange aligns with the front face of the cabinet frame.
- Attach the dishwasher to the countertop using the 2 brackets on top of the dishwasher.

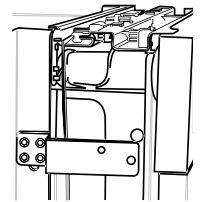
NOTE: The dishwasher must be attached to the countertop to keep it from tipping when the door is opened.
- Insert 2 #8 x 5/8" Phillips flat-head screws through the brackets and into the countertop.



- Open the door about 3" (7.6 cm) and check that the space between the inner door and tub is equal on both sides.
- If spacing is not equal, loosen the bracket screws and shift the tub. Retighten bracket screws.
- Check that the top of the door does not contact the screws, brackets or countertop. If it does, the dishwasher must be lowered and leveled again. See "Level The Dishwasher" in "Install Dishwasher."
- If spacing is not equal, loosen the bracket screws and shift the tub. Retighten bracket screws.
- Remove towel from dishwasher.
- Reinstall the lower dishrack.

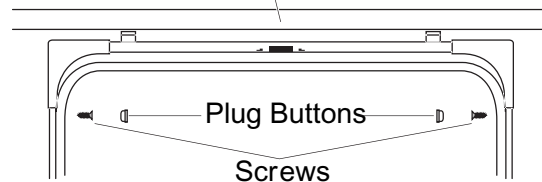
Method 2

When countertops are granite or other materials that will not accept screws, secure dishwasher with side-mounting brackets.

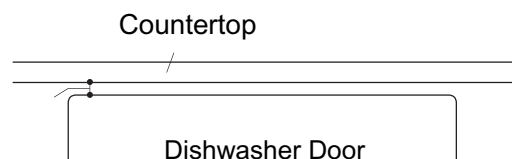


- Use a flat-blade screwdriver or prying tool to remove plug buttons (one on each side).
- Install screws through the dishwasher side mount bracket and into the adjacent cabinet on each side. Reinstall plug buttons.

Granite Countertop

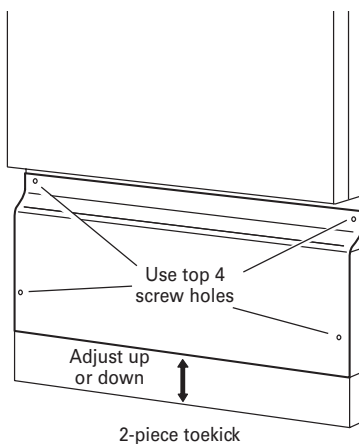


When step is complete, close dishwasher door and verify that gap between countertop and top of dishwasher door is at least 1/2".



Complete installation

1. Place the lower panel behind the toekick panel.
2. Place 2-piece toekick against the legs of the dishwasher.
3. Place the inner toekick piece (with slots) against the toekick bracket. The slots should align with toekick bracket screw holes. Allow the bottom edge of the lower toekick to touch the floor.
4. Place larger toekick over the inner piece and install 4 toekick screws. Use additional 2 screws for installations over 33-1/2" (85.09 cm) high. Use both toekick pieces for all installation heights.
5. Reconnect power or plug in dishwasher.



Power supply cord method:

⚠ WARNING



Electrical Shock Hazard

Plug into a grounded 3 prong outlet.

Do not remove ground prong.

Do not use an adapter.

Do not use an extension cord.

Failure to follow these instructions can result in death, fire, or electrical shock.

Check operation

1. Read the Use and Care Guide that came with your dishwasher.
2. Check that all parts have been installed and no steps were skipped.
3. Check that you have all the tools you used.
4. Start dishwasher and allow it to complete the shortest wash cycle. After the first two minutes, unlatch door, wait five seconds, then open door.
5. Check to see that there is water in the bottom of the dishwasher tub. Check that dishwasher is working properly.
6. If not, disconnect power or unplug dishwasher and see "If dishwasher does not operate" section.

If dishwasher does not operate

First try the solutions suggested here to possibly avoid the cost of a service call.

- Has the circuit breaker tripped or the house fuse blown?
- Is the door closed tightly and latched?
- Has the cycle been set correctly to start the dishwasher?
- Is the water turned on?

If none of these work, call 1-800-4MY-HOME.

Direct wire method:

⚠ WARNING



Electrical Shock Hazard

Electrically ground dishwasher.

Connect ground wire to green ground connector in terminal box.

Do not use an extension cord.

Failure to follow these instructions can result in death, fire, or electrical shock.

Table des matières

Sécurité du lave-vaisselle	2	Instructions d'installation.	6
Configuration requise pour l'installation	3	Préparer l'ouverture de l'armoire à l'aide des raccords de service existants	6
Outils et pièces	3	Préparer l'ouverture de l'armoire lorsqu'il n'existe pas de raccord de service.	7
Configuration requise pour l'emplacement	3	Préparer le lave-vaisselle	9
Configuration requise pour la vidange	5	Effectuer le raccordement électrique.	11
Configuration requise pour l'alimentation en eau	5	Raccorder à l'alimentation en eau	12
Configuration requise pour l'électricité	5	Raccorder au dispositif de vidange	13
		Fixer le lave-vaisselle dans l'ouverture de l'armoire.	13

Sécurité du lave-vaisselle

Votre sécurité et celle des autres est très importante.

Dans ce manuel et sur votre appareil, nous fournissons de nombreux messages importants de sécurité. Lisez et respectez toujours tous les messages de sécurité.



Ceci est le symbole d'alerte de sécurité.
Ce symbole met en garde contre les risques potentiels qui peuvent vous tuer ou vous blesser, vous ou d'autres personnes.
Tous les messages de sécurité suivent le symbole d'alerte de sécurité ou le mot « DANGER » ou « AVERTISSEMENT ». Ces mots signifient :

 **DANGER**

Vous pourriez être tué ou gravement blessé si vous ne respectez pas immédiatement les consignes.

 **AVERTISSEMENT**

Vous pourriez être tué ou gravement blessé si vous ne respectez pas les consignes.

Tous les messages de sécurité indiquent le risque potentiel, vous disent comment réduire la probabilité de blessure et ce qui peut arriver si les consignes ne sont pas respectées.

 **AVERTISSEMENT**



Risque de basculement

N'utilisez pas le lave-vaisselle tant qu'il n'est pas complètement installé.
N'appuyez pas sur la porte ouverte.
Cela pourrait entraîner des blessures graves ou des coupures.

Vous devez :

- Ouvrir doucement la porte du lave-vaisselle pendant que quelqu'un saisit l'arrière du lave-vaisselle. Retirer les matériaux d'expédition, le tuyau de vidange et le bâti inférieur. Fermer la porte du lave-vaisselle et vous assurer qu'elle soit verrouillée.
- Respecter tous les codes et règlements en vigueur.
- Installer ce lave-vaisselle conformément à ces consignes.
- L'installation doit être effectuée par un technicien de service qualifié. Le lave-vaisselle doit être installé conformément à tous les codes et règlements nationaux et locaux en matière d'électricité et de plomberie.

Configuration requise pour l'installation

Outils et pièces

Rassemblez les pièces et outils requis avant de commencer l'installation.

Toutes les installations

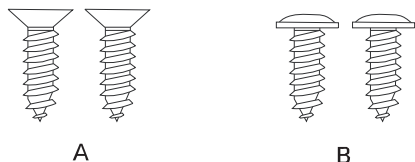
- | | |
|-----------------------------|--|
| Outils nécessaires : | Pièces nécessaires : |
| • Tournevis Phillips | • Coude à 90° avec filetages externes N.P.T de 3/8 po à une extrémité. (L'autre extrémité doit correspondre à votre conduite d'alimentation en eau.) |
| • Tournevis à lame plate | • Ruban d'étanchéité pour filetage |
| • Ruban ou règle à mesurer | • 3 écrous de câble homologués UL |
| • Clé réglable de 6 po | • Un collier de serrage à vis 1-1/2 po - 2 po ne doit pas toucher le plancher. |
| • Petit niveau | |
| • Lampe torche | |
| • Assiette peu profonde | |
| • Niveau | |

De plus, pour les nouvelles installations

- | | |
|---|--|
| Outils nécessaires : | Pièces nécessaires : |
| • perceuse électrique avec forets de scie à trous de 1/2 po, 3/4 po et 1-1/2 po | • tube en cuivre (3/8 po recommandé) |
| • petit coupe-tube | • connecteur de collier (serre-câble) pour correspondre au trou de diamètre 7/8 po (22,2 cm). |
| | • un collier de serrage à vis 1-1/2 po - 2 po en cas de connexion à l'armoire du té de vidage. |

Pièces fournies

- A. 2 - Vis à bois à tête plate Phillips n° 8 x 5/8 po
B. 4 - Vis de plinthe Phillips à empreinte cruciforme, de couleur assortie



Assurez-vous que ces pièces sont incluses. Reportez-vous à la liste séparée des pièces pour les accessoires disponibles pour votre lave-vaisselle.

Configuration requise pour l'emplacement

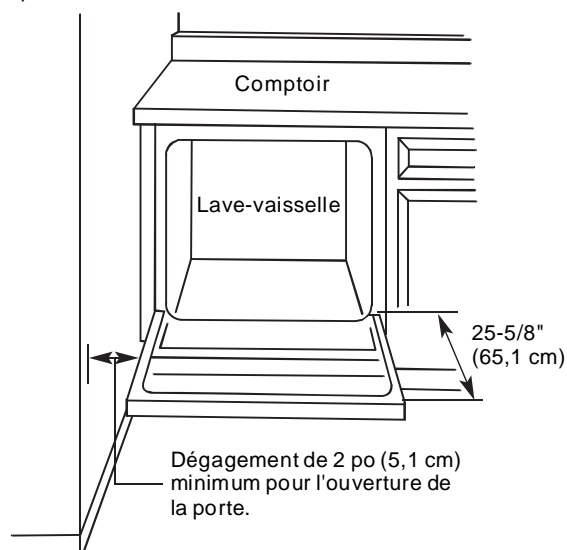
N'installez pas les conduites de vidage, les conduites d'eau ou le câblage électrique à un endroit où ils peuvent interférer avec ou toucher les moteurs ou les pieds du lave-vaisselle. L'emplacement d'installation du lave-vaisselle doit disposer d'un dégagement entre les moteurs et le plancher. Les moteurs ne doivent pas toucher le plancher.

N'installez pas le lave-vaisselle sur un plancher recouvert de moquette.

Protégez le lave-vaisselle et les conduites d'eau allant au lave-vaisselle contre le gel. Les dégâts causés par le gel ne sont pas couverts par la garantie.

Vérifiez l'emplacement d'installation du lave-vaisselle. L'emplacement doit disposer des éléments suivants :

- accès facile à l'eau, à l'électricité et à la vidage;
- accès pratique au chargement et au déchargement de la vaisselle. Les emplacements en coin nécessitent un dégagement minimal de 2 po (5,1 cm) entre le côté de la porte du lave-vaisselle et le mur ou l'armoire.
- Il doit exister un dégagement de 25-5/8 po (65,1 cm) au minimum à l'avant du lave-vaisselle pour permettre l'ouverture complète de la porte.



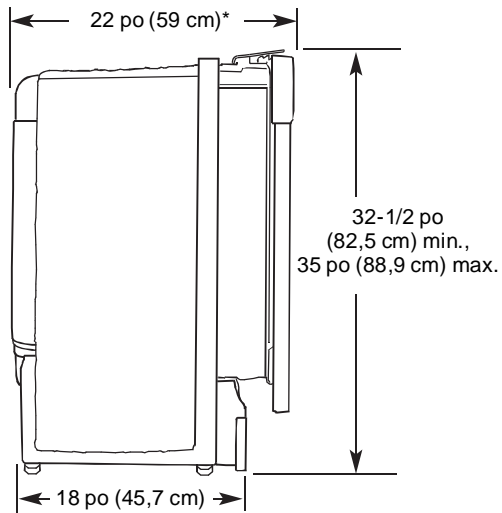
- complètement étanche des deux côtés, à l'arrière et au sommet.
- ouverture carrée pour un fonctionnement et un aspect approprié.
- avant de l'armoire perpendiculaire au plancher.
- plancher à niveau. (Si le plancher à l'avant de l'ouverture n'est pas au niveau de celui à l'arrière de l'ouverture, des cales peuvent être nécessaires pour mettre le lave-vaisselle à niveau.)

REMARQUE : Pour éviter tout déplacement pendant le fonctionnement du lave-vaisselle, les cales doivent être solidement fixées au sol.

Si le lave-vaisselle ne va pas être utilisé pendant une période de temps ou se trouve dans un endroit où il peut être soumis au gel, faites-le hiverner par un personnel de service autorisé. Assurez-vous que les conduites, les câbles et les tuyaux de vidage se trouvent dans la zone ombrée de la section « Dimensions de découpe ».

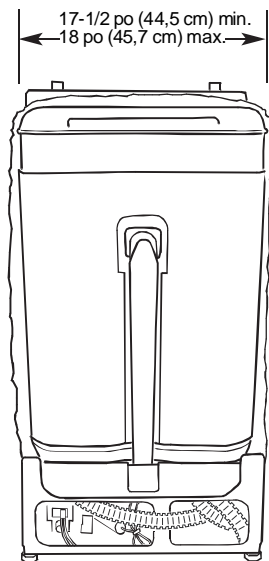
Conseil pratique : Si le plancher dans la zone de l'ouverture du lave-vaisselle est inégal (exemple : plancher en carrelage seulement à mi-chemin dans l'ouverture), vous devez accorder un soin particulier à la mesure des dimensions et à la mise à niveau du lave-vaisselle.

Dimensions du produit



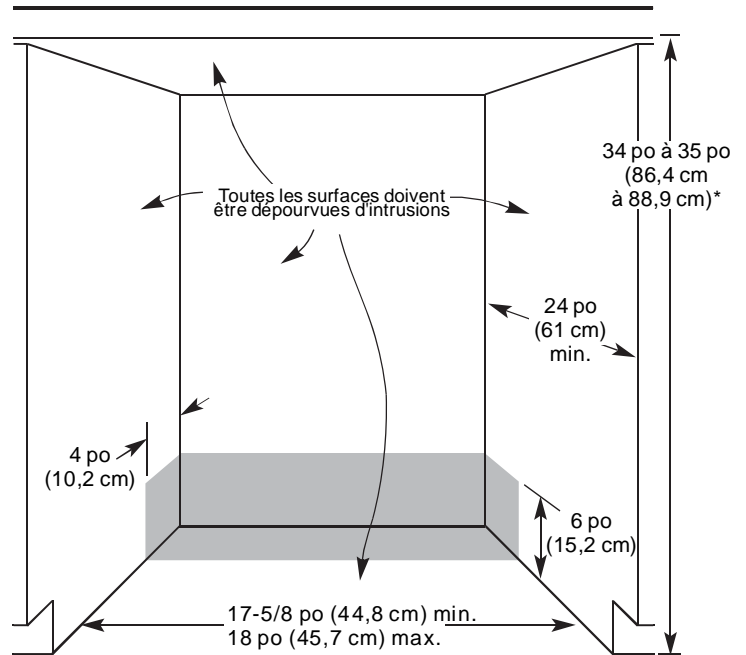
* à l'avant du cadre de porte

VUE LATÉRALE



VUE ARRIÈRE

Dimensions de découpe



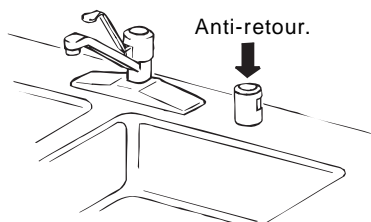
*Dessous du comptoir au plancher.

Percez des trous dans la zone ombrée des parois de l'armoire ou dans le plancher pour les travaux de plomberie et d'électricité.

Remarque : L'installation ADA, 32-1/2 po (82,5 cm) sous les comptoirs élevés de 34 po (86,4 cm) peut être réalisée en ajustant la plinthe et les pieds de mise à niveau.

Configuration requise pour la vidange

- Utilisez le nouveau tuyau de vidange fourni avec votre lave-vaisselle. S'il n'est pas assez long, utilisez un nouveau tuyau de vidange d'une longueur maximale de 10 pi (3,05 m) conforme à toutes les normes actuelles de test AHAM/IAPMO, résistant à la chaleur et aux détergents; utilisez un tuyau de diamètre interne 5/8 po (1,58 cm) ou 7/8 po (2,2 cm) et un coupleur pour raccorder les deux extrémités du tuyau. Sécurisez le raccordement à l'aide de deux colliers
- Raccordez le tuyau de vidange à l'entrée du té de vidage ou du broyeur de déchets au-dessus du siphon dans la plomberie de l'habitation et à 32 po (81,3 cm) minimum au-dessus du plancher. Il est recommandé que le tuyau de vidange, soit forme une boucle et soit solidement fixé sous le compteur, ou qu'il soit raccordé à une coupure anti-retour.
- Utilisez une coupure anti-retour si le tuyau de vidange est raccordé à une plomberie d'habitation inférieure à 18 po (45,7 cm) au-dessus du plancher.



- Utilisez des raccords de conduite de vidange de diamètre intérieur égal à 1/2 po minimum.
- Ne raccordez pas les conduites de vidange provenant d'autres dispositifs au tuyau de vidange du lave-vaisselle.

Configuration requise pour l'alimentation en eau

- Une conduite d'eau chaude avec une pression d'eau de 20-120 psi (138-862 kPa).
- Eau du lave-vaisselle à 120°F (49°C).
- Tube en cuivre de diamètre extérieur 3/8 po avec un raccord de compression ou une conduite de remplissage tressée flexible en acier inoxydable (tube en plastique de 1/2 po minimum non recommandé).
- Un coude à 90° avec filetages externes de tuyau N.P.T de 3/8 po à une extrémité.

Ne soudez pas à moins de 6 po (15,2 cm) de la valve d'arrivée d'eau.

Configuration requise pour l'électricité

Contactez un électricien qualifié. Assurez-vous que l'installation électrique soit adéquate et en conformité avec tous les codes et règlements nationaux et locaux.

Vous devez disposer des éléments suivants :

- Alimentation électrique de 120 volts, 60 Hz, courant alternatif uniquement, 15 ou 20 ampères, protégée par fusible.
- Le câblage doit être à 2 fils avec une mise à la terre.

Nous recommandons

- Un fusible temporisé ou un disjoncteur.
- Un circuit distinct.

Si vous raccordez le lave-vaisselle à l'aide d'un câblage direct :

- Utilisez un câble flexible, blindé ou à blindage non métallique, en cuivre avec un fil de mise à la terre conforme aux exigences de câblage de votre maison et aux codes et règlements locaux.

Si vous raccordez le lave-vaisselle à l'aide d'un cordon d'alimentation :

- Utilisez la trousse de cordon d'alimentation (pièce numéro 4317824) destinée aux lave-vaisselle. La trousse comprend :
 - Cordon d'alimentation à 3 câbles et 16 jauges homologué, UL avec fiche de mise à la terre à 3 broches.
 - Serre-câble Neer C-500 de 7/8 po.
 - 3 connecteurs de câble.
 - Oeillet, pièce numéro 302797

Respectez les consignes de la trousse pour l'installation du cordon d'alimentation.

- Le cordon d'alimentation doit être branché dans une prise à trois broches, mise à la terre, située dans l'armoire à côté de l'ouverture du lave-vaisselle. La prise doit respecter tous les codes et règlements locaux.

Instructions d'installation

⚠ AVERTISSEMENT



Electrical Shock Hazard

Disconnect electrical power at the fuse box or circuit breaker box before installing dishwasher.

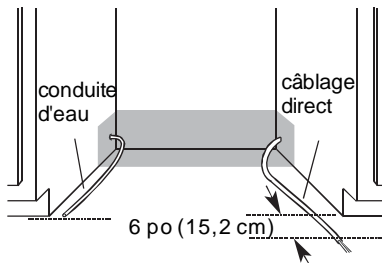
Failure to do so can result in death or electrical shock.

1. Débranchez l'alimentation électrique.
2. Coupez l'alimentation en eau.

Préparer l'ouverture de l'armoire à l'aide des raccords de service existants

- Suivez les étapes de cette section si vous installez le lave-vaisselle dans une ouverture existante de l'armoire à l'aide des raccords de service.
- Si vous installez le lave-vaisselle dans une ouverture de l'armoire dépourvue de raccords, suivez les étapes sous la section « Préparation de l'ouverture de l'armoire dans un emplacement dépourvu de raccords de service existants »

1. Vérifiez que la conduite d'eau atteigne la partie avant gauche de l'ouverture dans laquelle le raccordement d'eau sera effectué.



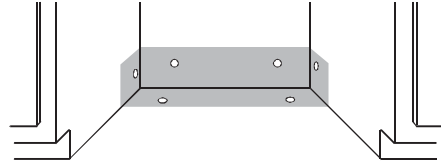
2. Vérifiez que le câblage direct atteigne l'avant droit de l'ouverture où le raccordement électrique sera effectué.

Si la conduite d'eau et le câble direct vont suffisamment loin dans l'ouverture, passez à la section suivante « Installation du tuyau de vidange ». S'ils ne vont pas suffisamment loin, suivez les étapes sous la rubrique « Préparation de l'ouverture de l'armoire dans un emplacement dépourvu de raccords de service existants ».

Installer le tuyau de vidange

IMPORTANT : Utilisez toujours un nouveau tuyau de vidange même lors de l'installation d'un nouveau lave-vaisselle de remplacement.

1. Percez un trou de diamètre 1-1/2 po (3,8 cm) dans la paroi de l'armoire ou sur le plancher du côté de l'ouverture la plus proche de l'évier.



2. Raccordez le tuyau de vidange au té de vidange ou au broyeur de déchets à l'aide d'une des méthodes suivantes :

- Option 1, broyeur de déchets - avec coupure anti-retour
- Option 2, pas de broyeur de déchets - avec coupure anti-retour
- Option 3, broyeur de déchets - pas de coupure anti-retour*
- Option 4, pas de broyeur de déchets - pas de coupure anti-retour

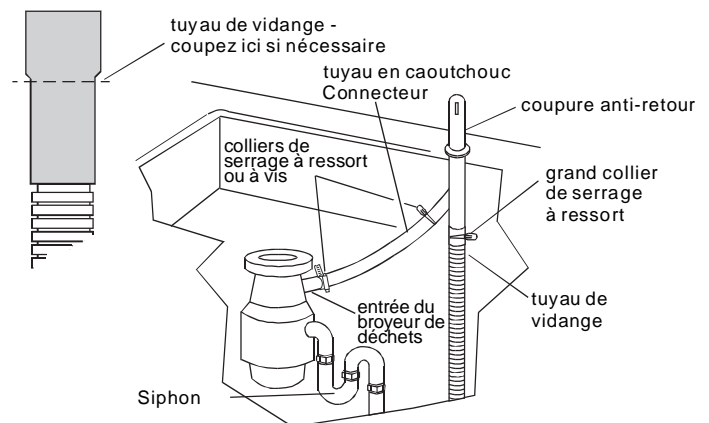
* Une coupure anti-retour est recommandée

Conseil pratique : Pour réduire les vibrations du tuyau, maintenez-le à l'écart du plancher et de l'extrémité du trou où il passe à travers l'armoire.

Option 1, broyeur de déchets - avec coupure anti-retour :

1. Retirez le bouchon d'alvéole défonçable du broyeur. Coupez l'extrémité du tuyau de vidange si nécessaire (ne coupez pas la section ondulée).
2. Fixez le tuyau de vidange à la coupure anti-retour à l'aide d'un grand collier de serrage à ressort. Si le tuyau de vidange a été coupé, utilisez un collier de serrage à vis de 1-1/2 po à 2 po (3,8 à 5 cm)*.
3. Utilisez un connecteur de tuyau en caoutchouc* avec collier de serrage à ressort ou à vis* pour raccorder la coupure anti-retour à l'entrée du broyeur.

Ce raccordement doit s'effectuer en amont du siphon et à au moins 20 po (50,8 cm) au-dessus du plancher sur lequel le lave-vaisselle est installé.

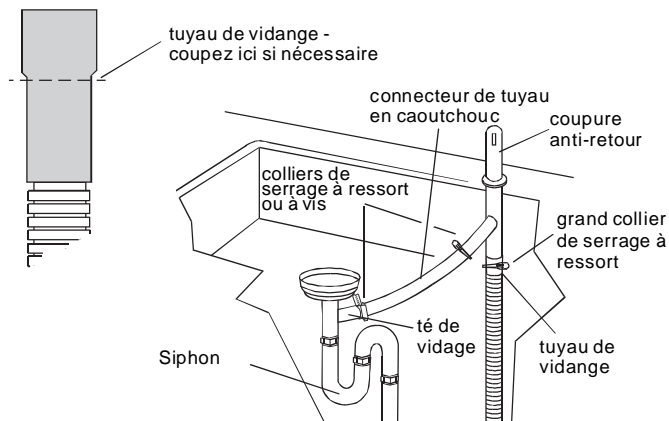


* Pièces disponibles au magasin local d'approvisionnement en plomberie.

Option 2, pas de broyeur de déchets - avec coupure anti-retour

1. Coupez l'extrémité du tuyau de vidange si nécessaire (ne coupez pas la section ondulée).
2. Fixez le tuyau de vidange à la coupure anti-retour à l'aide d'un grand collier de serrage à ressort. Si le tuyau de vidange a été coupé, utilisez un collier de serrage à vis de 1-1/2 po à 2 po (3,8 à 5 cm)*.
3. Utilisez un connecteur de tuyau en caoutchouc * avec colliers de serrage à ressort ou à vis* pour raccorder la coupure anti-retour au té de vidage.

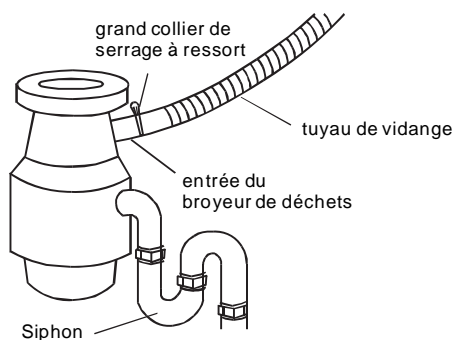
Ce raccordement doit s'effectuer en amont du siphon et à au moins 20 po (50,8 cm) au-dessus du plancher sur lequel le lave-vaisselle est installé.



* Pièces disponibles au magasin local d'approvisionnement en plomberie.

Option 3, broyeur de déchets - pas de coupure anti-retour*

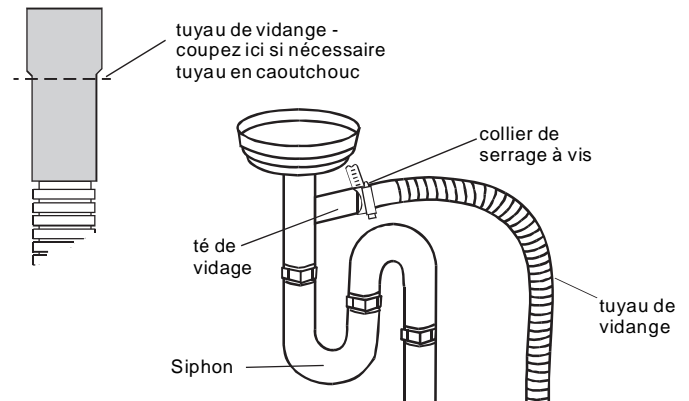
1. Retirez le bouchon d'alvéole défonçable du broyeur. Ne coupez pas l'extrémité du tuyau de vidange.
 2. Fixez le tuyau de vidange à l'entrée du broyeur de déchets à l'aide d'un grand collier de serrage à ressort.
- Ce raccordement doit s'effectuer en amont du siphon et à au moins 20 po (50,8 cm) au-dessus du plancher sur lequel le lave-vaisselle sera installé.



* Pièces disponibles au magasin local d'approvisionnement en plomberie.

Option 4, pas de broyeur de déchets - pas de coupure anti-retour

1. Coupez l'extrémité du tuyau de vidange si nécessaire (ne coupez pas la section ondulée).
 2. Fixez le tuyau de vidange au té de vidage à l'aide d'un collier de serrage à vis de 1-1/2 po à 2 po (3,8 à 5 cm)*.
- Ce raccordement doit s'effectuer en amont du siphon et à au moins 20 po (50,8 cm) au-dessus du plancher sur lequel le lave-vaisselle est installé. Il est recommandé que le tuyau de vidange forme une boucle et soit solidement fixé sous le compteur.



* Pièces disponibles au magasin local d'approvisionnement en plomberie.

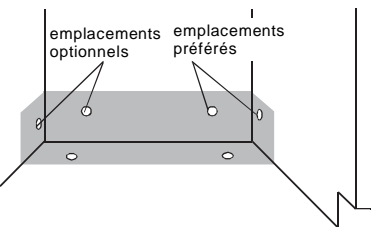
Préparez l'ouverture de l'armoire lorsqu'il n'existe pas de raccord de service

Raccordement électrique

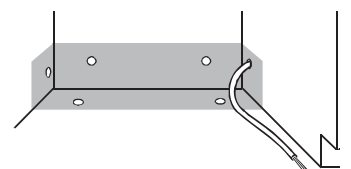
Option 1, méthode de câblage direct :

Conseil pratique : Le câblage du lave-vaisselle est plus facile à réaliser si vous acheminez le câble dans l'ouverture de l'armoire à partir du côté droit.

1. Percez un trou de 3/4 po (1,9 cm) dans le côté droit de l'armoire, à l'arrière ou dans le plancher. Les emplacements préférés et optionnels sont illustrés.
2. Armoire en bois : Poncez le trou jusqu'à ce qu'il soit lisse au toucher.
Armoire métallique : couvrez le trou avec un œillet, non fourni.



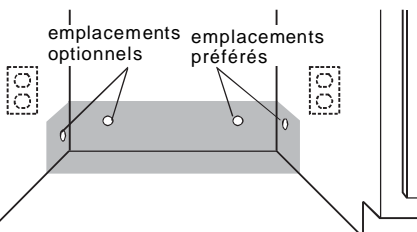
3. Acheminez le câble de l'alimentation par le biais du trou de l'armoire (le câble doit s'étendre vers le côté avant droit de l'ouverture de l'armoire). Câble ruban vers le plancher de 6 po en face de l'unité. Cela empêche le mouvement du câble lorsque le lave-vaisselle est déplacé dans l'ouverture de l'armoire.



Option 2, méthode du cordon d'alimentation :

REMARQUE : Un accouplement, trois broches, une prise murale à terre sont requis dans une armoire à côté de l'ouverture du lave-vaisselle.

1. Percez un trou de 1-1/2 po (3,8 cm) dans l'arrière ou le côté de l'armoire. Les emplacements préférés et optionnels sont illustrés.



2. Armoire en bois : Poncez le trou jusqu'à ce qu'il soit lisse au toucher.

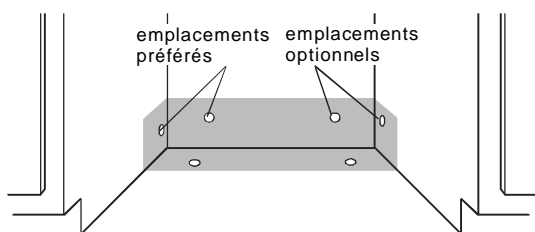
Armoire métallique : Couvrez le trou à l'aide d'œillet (pièce numéro 302797) fourni avec la trousse du cordon d'alimentation.

Installer la conduite d'eau

Conseil pratique : L'acheminement de la conduite d'eau par le côté gauche de l'ouverture de l'armoire facilite le raccordement d'eau.

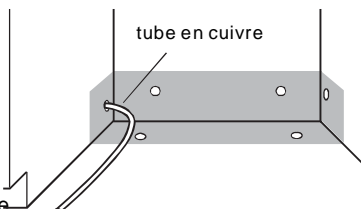
1. Percez un trou de 1/2 po (1,3 cm) minimum dans le côté de l'armoire, à l'arrière ou sur le plancher. Les emplacements préférés et optionnels sont illustrés.

2. Mesurez la longueur totale du tube en cuivre nécessaire.



3. Fixez le tube en cuivre à la conduite d'alimentation en eau à l'aide d'une valve d'arrêt manuelle.

4. Introduisez doucement le tube en cuivre dans le trou percé dans l'armoire. Le tube en cuivre se plie et s'enroule facilement, faites donc preuve de délicatesse.



Le tube en cuivre doit se trouver suffisamment loin dans l'ouverture de l'armoire pour le raccorder à l'entrée du lave-vaisselle sur l'avant gauche du lave-vaisselle.

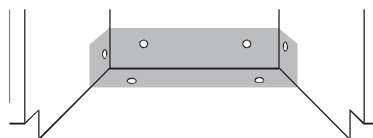
5. Tournez la valve d'arrêt d'eau à la position « ON ». Purgez l'eau dans une assiette peu profonde pour vous débarrasser des particules qui pourraient obstruer la valve d'arrivée.

6. Tournez la valve d'arrêt à la position « OFF ».

Installer le tuyau de vidange

IMPORTANT : Utilisez toujours un nouveau tuyau de vidange.

1. Percez un trou de diamètre 1-1/2 po (3,8 cm) dans la paroi de l'armoire ou sur le plancher du côté de l'ouverture la plus proche de l'évier.



2. Raccordez le tuyau de vidange au té de vidange ou au broyeur de déchets à l'aide d'une des méthodes suivantes :

- Option 1, broyeur de déchets - avec coupure anti-retour
- Option 2, pas de broyeur de déchets - avec coupure anti-retour
- Option 3, broyeur de déchets - pas de coupure anti-retour*
- Option 4, pas de broyeur de déchets - pas de coupure anti-retour

* Une coupure anti-retour est recommandée

Conseil pratique : Pour réduire les vibrations du tuyau, maintenez-le à l'écart du plancher et de l'extrémité du trou où il passe à travers l'armoire.

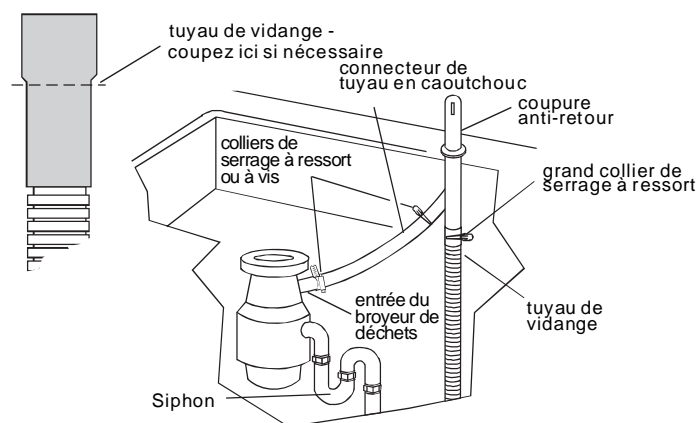
Option 1, broyeur de déchets - avec coupure anti-retour :

1. Retirez le bouchon d'alvéole défonçable du broyeur. Coupez l'extrémité du tuyau de vidange si nécessaire (ne coupez pas la section ondulée).

2. Fixez le tuyau de vidange à la coupure anti-retour à l'aide d'un grand collier de serrage à ressort. Si le tuyau de vidange a été coupé, utilisez un collier de serrage à vis de 1-1/2 po à 2 po (3,8 à 5 cm)*.

3. Utilisez un connecteur de tuyau en caoutchouc* avec les colliers de serrage à ressort ou à vis* pour raccorder la coupure anti-retour à l'entrée du broyeur.

Ce raccordement doit s'effectuer en amont du siphon et à au moins 20 po (50,8 cm) au-dessus du plancher sur lequel le lave-vaisselle est installé.

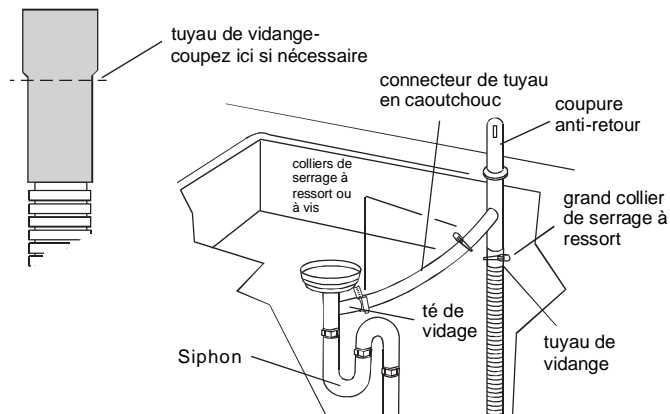


* Pièces disponibles au magasin local d'approvisionnement en plomberie.

Option 2, pas de broyeur de déchets - avec coupure anti-retour :

1. Coupez l'extrémité du tuyau de vidange si nécessaire (ne coupez pas la section ondulée).
2. Fixez le tuyau de vidange à la coupure anti-retour à l'aide d'un grand collier de serrage à ressort. Si le tuyau de vidange a été coupé, utilisez un collier de serrage à vis de 1-1/2 po à 2 po (3,8 à 5 cm)*.
3. Utilisez un connecteur de tuyau en caoutchouc *avec colliers de serrage à ressort ou à vis* pour raccorder la coupure anti-retour au té de vidage.

Ce raccordement doit s'effectuer en amont du siphon et à au moins 20 po (50,8 cm) au-dessus du plancher sur lequel le lave-vaisselle est installé.

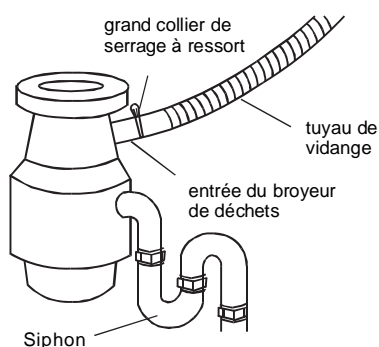


* Pièces disponibles au magasin local d'approvisionnement en plomberie.

Option 3, broyeur de déchets - pas de coupure anti-retour :

1. Retirez le bouchon d'alvéole défonçable du broyeur. Ne coupez pas l'extrémité du tuyau de vidange.
2. Fixez le tuyau de vidange à l'entrée du broyeur de déchets à l'aide d'un grand collier de serrage à ressort.

Ce raccordement doit s'effectuer en amont du siphon et à au moins 20 po (50,8 cm) au-dessus du plancher sur lequel le lave-vaisselle est installé. Il est recommandé que le tuyau de vidange forme une boucle et soit solidement fixé sous le compteur.

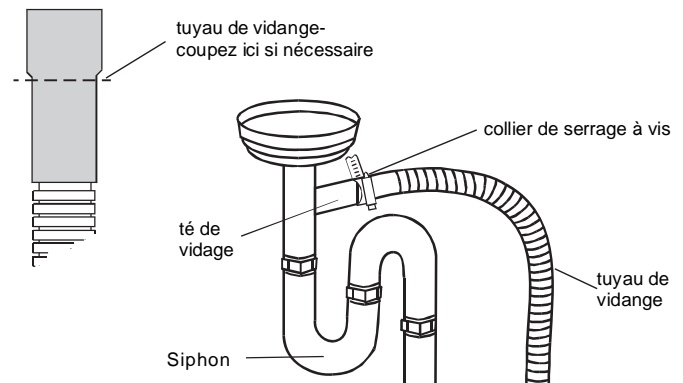


* Pièces disponibles au magasin local d'approvisionnement en plomberie.

Option 4, pas de broyeur de déchets - pas de coupure anti-retour :

1. Coupez l'extrémité du tuyau de vidange si nécessaire (ne coupez pas la section ondulée).
2. Fixez le tuyau de vidange au té de vidage à l'aide d'un collier de serrage à vis de 1-1/2 po à 2 po (3,8 à 5 cm)*.

Ce raccordement doit s'effectuer en amont du siphon et à au moins 20 po (50,8 cm) au-dessus du plancher sur lequel le lave-vaisselle est installé. Il est recommandé que le tuyau de vidange forme une boucle et soit solidement fixé sous le compteur.



* Pièces disponibles au magasin local d'approvisionnement en plomberie.

Préparer le lave-vaisselle

⚠ AVERTISSEMENT



Risque de basculement

N'utilisez pas le lave-vaisselle tant qu'il n'est pas complètement installé.

N'appuyez pas sur la porte ouverte.

Cela pourrait entraîner des blessures graves ou des coupures.

⚠ AVERTISSEMENT

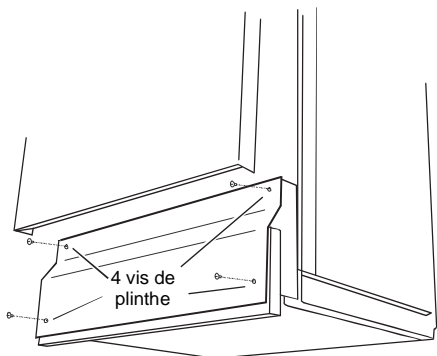
Risque de poids excessif

Utilisez deux personnes ou plus pour déplacer et installer le lave-vaisselle.

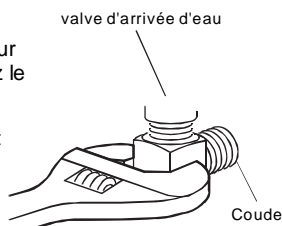
Le non respect de cette consigne peut entraîner une blessure au dos ou d'autres blessures.

1. Saisissez le cadre de porte du lave-vaisselle et posez-le sur son dos.

- Déposez les quatre vis fixant le panneau de plinthe et abaissez le panneau vers le lave-vaisselle à l'aide d'un tournevis Phillips.
- Déposez les panneaux et mettez-les de côté sur une surface de protection.



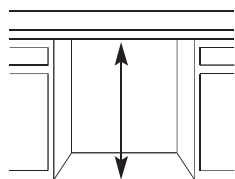
- Appliquez le ruban d'étanchéité pour filetage au coude à 90° et branchez le raccord à la valve d'arrivée d'eau.
- Serrez le coude jusqu'à ce qu'il soit bien en place et assurez-vous qu'il soit tourné vers l'arrière.
- Déposez la vis supérieure et faites glisser le couvercle vers la droite pour déposer le couvercle du boîtier de jonction.



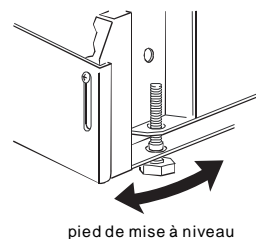
- Si vous raccordez à l'aide d'un câblage direct : installez un connecteur de collier homologué UL/certifié CSA sur le boîtier de jonction. En cas d'utilisation d'un conduit, utilisez un connecteur de conduit homologué UL/certifié CSA.
- Si vous installez une trousse de cordon d'alimentation, faites-le maintenant, conformément aux consignes de la trousse. La trousse de cordon d'alimentation doit être homologuée UL et destinée aux lave-vaisselle (c.-à-d. la pièce de trousse de cordon d'alimentation numéro 4317824).

Conseil pratique : Mettez l'emballage de carton sous le lave-vaisselle jusqu'à ce qu'il soit installé dans l'ouverture de l'armoire. L'emballage de carton aide à protéger le revêtement du plancher pendant l'installation.

- Mesurez la hauteur de l'ouverture de l'armoire du dessous du comptoir vers le plancher à l'emplacement d'installation du lave-vaisselle (vous avez besoin du point le plus bas).



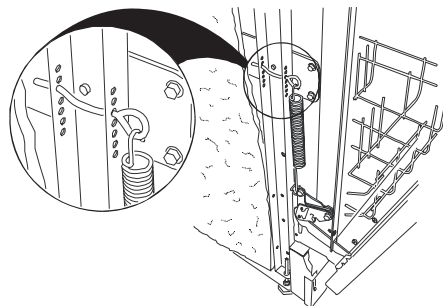
- Étendez les pieds de mise à niveau de la base du lave-vaisselle, à une hauteur inférieure de 1/4 po à la hauteur d'ouverture.



Vérifier la tension du ressort de la porte

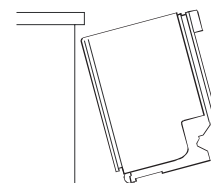
À l'aide d'une autre personne qui tient le lave-vaisselle pour l'empêcher de basculer, ouvrez et fermez la porte à quelques reprises. Si la porte se ferme trop rapidement ou s'ouvre sous son propre poids, la tension de la porte doit être ajustée.

- Si la porte se ferme trop rapidement, diminuez la tension du ressort en tirant la goupille de réglage du ressort de son trou et en la réinsérant dans le trou inférieur suivant vers le bas du lave-vaisselle.
- Si la porte tombe en position ouverte, augmentez la tension du ressort en tirant la goupille de réglage du ressort de son trou et en la réinsérant dans le trou suivant supérieur vers le haut du lave-vaisselle.
- Les goupilles de réglage du ressort doivent se trouver dans les mêmes trous sur les côtés gauche et droit.



Déplacer le lave-vaisselle dans l'ouverture de l'armoire

- À l'aide de deux personnes ou plus, tenez le lave-vaisselle debout.
- Saisissez les côtés du lave-vaisselle au niveau des bords du panneau de porte.
- Déplacez le lave-vaisselle à proximité de l'ouverture de l'armoire. Ne poussez pas sur le devant du panneau ou sur la console, ils pourraient s'enfoncer.



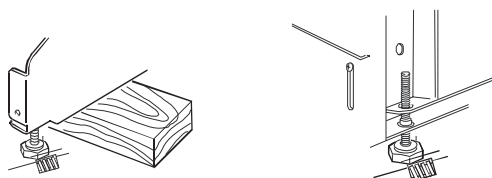
- Si le lave-vaisselle dispose d'un cordon d'alimentation, insérez-le par le trou dans l'armoire. En cas d'utilisation d'un câble direct, vérifiez qu'il soit sur le côté avant droit de l'ouverture.

- Vérifiez que la conduite d'eau se trouve sur le côté gauche de l'ouverture et insérez le tuyau de vidange dans le trou de l'armoire.
- Déplacez lentement le lave-vaisselle complètement dans l'ouverture de l'armoire afin que les coins avant de la porte du lave-vaisselle affleurent avec les portes de l'armoire. N'enroulez pas et ne pincez pas le tube en cuivre, le tuyau de vidange, le cordon d'alimentation ou le câble direct entre le lave-vaisselle et l'armoire.
Conseil pratique : Une fois que le lave-vaisselle est en position, vous pourrez avoir à supporter l'avant du lave-vaisselle en levant, en abaissant ou en calant le pied avant.
- Déposez l'emballage de carton du dessous du lave-vaisselle.

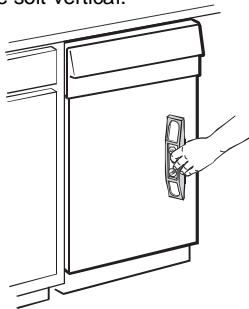
REMARQUE : Aucun problème si le lave-vaisselle est bien serré dans l'ouverture de l'armoire. Ne déposez pas le matelas isolant car il réduit le niveau de bruit.

Mettre le lave-vaisselle à niveau

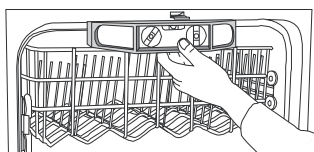
- Alignez l'avant du panneau de porte du lave-vaisselle avec les portes de l'armoire. Vous pourrez avoir besoin d'ajuster l'alignement avec vos armoires.
Conseil pratique : Soutenez un côté du cadre pour soulever le lave-vaisselle lors de l'ajustement des pieds avant. Avec certaines installations, il peut être plus facile d'ajuster le pied avant à l'aide d'une clé réglable de 6 po.



- Vérifiez que les pieds de mise à niveau reposent fermement sur le plancher.
- Fermez et verrouillez la porte et placez le niveau contre le panneau avant. Vérifiez que le lave-vaisselle soit vertical. Si nécessaire, ajustez le pied de mise à niveau ou ajoutez des cales jusqu'à ce que le lave-vaisselle soit vertical.



- Répétez l'opération pour l'autre côté du lave-vaisselle.
REMARQUE : Les cales doivent être solidement fixées au plancher pour éviter les mouvements lorsque le lave-vaisselle fonctionne.
- Placez le niveau contre l'ouverture avant supérieure de la cuve. Vérifiez que le lave-vaisselle soit à niveau d'un côté à l'autre. Si le lave-vaisselle n'est pas à niveau, ajustez les pieds avant vers le haut ou vers le bas jusqu'à ce que le lave-vaisselle soit à niveau.



Effectuer le raccordement électrique

Consultez la section « Configuration requise pour l'électricité ». Vous devez :

- disposer de l'alimentation électrique appropriée et de la méthode de mise à la terre recommandée.

Si vous câblez :

- à l'aide d'un câblage direct, utilisez l'option 1
- à l'aide d'un cordon d'alimentation, utilisez l'option 2

Option 1, méthode de câblage direct

⚠ AVERTISSEMENT



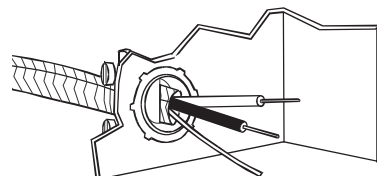
Risque de choc électrique

Mettez le lave-vaisselle à la terre électriquement.

Raccordez le câble de terre au connecteur vert de mise à la terre dans le boîtier de jonction. N'utilisez pas une rallonge électrique.

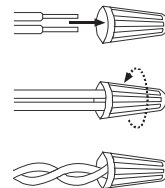
Le non-respect de ces consignes peut entraîner la mort, un incendie ou un choc électrique.

- Acheminez le câble direct de manière qu'il ne touche pas le moteur du lave-vaisselle ou la partie inférieure de la cuve du lave-vaisselle.
- Tirez le câble direct à travers le trou dans le boîtier de jonction.



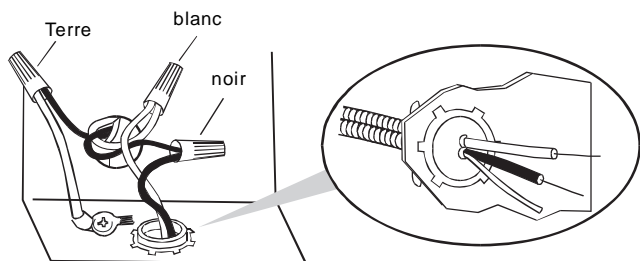
Conseil pratique :

- Sélectionnez la taille appropriée de torsion sur les connecteurs pour raccorder votre câblage domestique au câblage à 16 jauges du lave-vaisselle.
- Insérez les extrémités du câble dans le connecteur à torsion. N'appliquez pas une prétorsion au câble nu.
- Appliquez une torsion au connecteur.
- Tirez doucement sur les câbles pour vous assurer que les deux soient fixés.

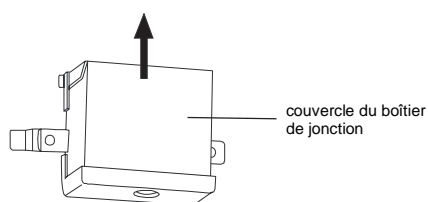


- Raccordez les câbles comme suit en appliquant une force de torsion sur les connecteurs dimensionnés pour raccorder le câble direct au câble à 16 jauges du lave-vaisselle :

Câble d'alimentation :	Câble du boîtier de jonction :
blanc	↔ blanc
noir	↔ noir
câble de terre	↔ connecteur de terre



4. Serrez les vis du connecteur de collier ou du connecteur de conduit.
5. Réinstallez le couvercle du boîtier de jonction à l'aide des câbles situés à l'intérieur du boîtier de jonction.
Le couvercle doit se trouver hors du boîtier sur le côté gauche.



6. Assurez-vous qu'aucun câble n'est pincé par le couvercle.

Option 2, méthode du cordon d'alimentation

⚠ AVERTISSEMENT



Risque de choc électrique

**Branchez dans une prise à 3 broches mise à la terre.
Ne retirez pas la broche de terre.
N'utilisez pas un adaptateur.
N'utilisez pas une rallonge électrique.
Le non-respect de ces consignes peut entraîner la mort, un incendie ou un choc électrique.**

Le cordon d'alimentation et les connexions doivent être conformes au code national de l'électricité, section 422, et/ou aux codes et règlements locaux. La longueur recommandée du cordon d'alimentation est de 54 po min. et 64 po max.

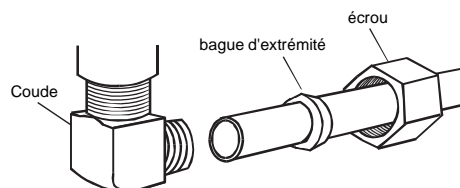
1. Déposez le couvercle du boîtier de jonction.
2. Raccordez le câble blanc (ou strié) du cordon d'alimentation entrant au câble blanc du lave-vaisselle, le câble noir (ou lisse) au câble noir et le câble de terre au câble vert du lave-vaisselle. Utilisez les écrous de câble homologués UL et de taille appropriée pour les connexions.
3. Remplacez le couvercle du boîtier de jonction. Assurez-vous que les câbles ne sont pas coincés sous le couvercle.
4. Branchez le cordon d'alimentation dans une prise à 3 broches mise à la terre.
5. Vérifiez que le cordon d'alimentation ne touche pas le moteur du lave-vaisselle ou la partie inférieure de la cuve du lave-vaisselle.

Raccorder à l'alimentation en eau

Conseil pratique :

Raccords de compression :

- a. Faites glisser l'écrou sur le tube en cuivre d'environ 1 po (2,5 cm).
- b. Faites glisser la bague d'extrémité sur le tube. Ne positionnez pas la bague d'extrémité au bout du tube.
- c. Insérez le tube dans le coude jusqu'à la butée.
- d. Faites glisser l'écrou et la bague d'extrémité vers l'avant et amorcez l'écrou sur les filetages du coude. Faites preuve de délicatesse lorsque vous manipulez et positionnez le tube en cuivre car il se plie et s'enroule facilement.



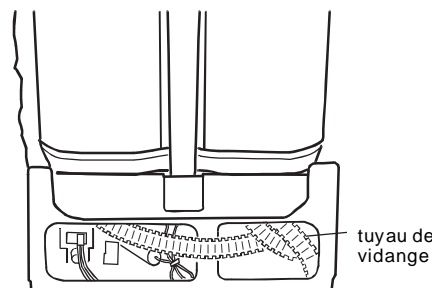
1. Pour éviter les vibrations pendant le fonctionnement, acheminez la conduite d'alimentation en eau de manière qu'elle ne touche pas la base du lave-vaisselle, le cadre ou le moteur.
2. Le tube en cuivre étant introduit dans le raccord de compression jusqu'à la butée, utilisez une clé et serrez l'écrou du raccord de compression vers le coude sur la valve d'arrivée d'eau. N'utilisez pas de ruban Teflon® avec les raccords de compression.



3. Placez un essuie-tout sous le coude. Mettez en marche l'alimentation en eau et recherchez les fuites éventuelles.

Raccorder au dispositif de vidange

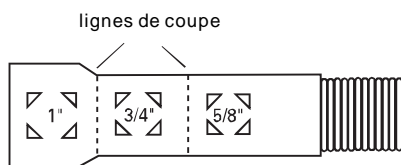
1. Pour aider à réduire les vibrations, acheminez le tuyau de vidange pour éviter le contact avec le moteur, les ressorts de porte, la conduite d'eau, le plancher ou le bord du trou où il passe à travers l'armoire.
2. Ne retirez pas la boucle de vidange du côté du lave-vaisselle.
3. Placez l'assiette sous l'extrémité du tuyau de vidange. L'assiette recueille toute l'eau du tuyau de vidange.



Retirez le chiffon du lave-vaisselle.

4. L'extrémité moulée du tuyau de vidange correspond à des connexions de 5/8 po (16 mm), 3/4 po (19 mm) ou 1 po (25,4 mm) de diamètre sur la coupure anti-retour, le té de vidage ou le broyeur de déchets. Coupez sur la ligne marquée comme requis pour votre installation.

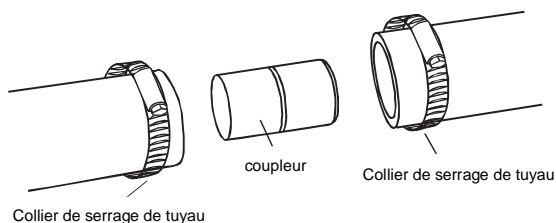
IMPORTANT : Ne coupez pas la partie ondulée du tuyau.



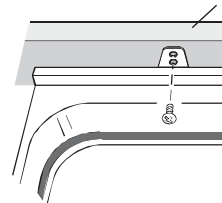
Si un tuyau de vidange plus long est nécessaire, ajoutez jusqu'à 42 po (1,07 m) de longueur pour un total de 10 pi (3,05 m) au tuyau installé en usine.

5. Utilisez un tuyau de diamètre interne 5/8 po ou 7/8 po et un coupleur pour raccorder les deux extrémités du tuyau. Sécurisez la connexion à l'aide de colliers de tuyau. Fixez le tuyau de vidange à la coupure anti-retour, au té de vidage ou au broyeur à l'aide de colliers.

REMARQUE : La longueur totale du tuyau de vidange ne doit pas dépasser 10 pi (3,05 m), pour un fonctionnement adéquat de la vidange.



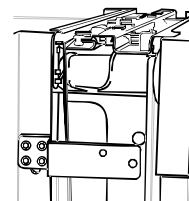
3. Vérifiez que le lave-vaisselle soit à niveau et centré côte-à-côte dans l'ouverture.
4. Vérifiez que la bride de la cuve soit alignée avec la face avant du cadre de l'armoire.
5. Fixez le lave-vaisselle au comptoir à l'aide des 2 supports situés au-dessus du lave-vaisselle.
REMARQUE : Le lave-vaisselle doit être fixé au comptoir pour l'empêcher de basculer lorsque la porte est ouverte.
6. Insérez des vis à tête plate Phillips de 2 # 8 x 5/8 po à travers les supports et dans le comptoir.



7. Ouvrez la porte d'environ 3 po (7,6 cm) et vérifiez que l'espace entre la porte intérieure et la cuve est égale des deux côtés.
8. Si l'espacement n'est pas égal, desserrez les vis du support et déplacez la cuve. Resserrez les vis du support.
9. Vérifiez que le haut de la porte ne soit pas en contact avec les vis, les brides ou le comptoir. Si c'est le cas, le lave-vaisselle doit être abaissé et mis à niveau de nouveau. Reportez-vous à la rubrique « Mise à niveau du lave-vaisselle » dans la section « Installation du lave-vaisselle ».
9. Si l'espacement n'est pas égal, desserrez les vis du support et déplacez la cuve. Resserrez les vis du support.
10. Retirez le chiffon du lave-vaisselle.
11. Réinstallez l'égouttoir à vaisselle inférieur.

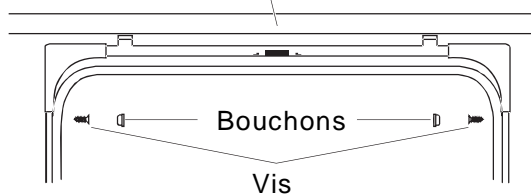
Méthode 2

Lorsque les comptoirs sont en granite ou en d'autres matériaux qui n'acceptent pas les vis, fixez le lave-vaisselle à l'aide des supports de montage latéral.



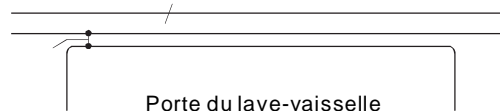
1. Utilisez un tournevis à lame plate ou un outil levier pour déposer les bouchons (un de chaque côté).
2. Installez les vis à travers le support de montage latéral du lave-vaisselle et dans l'armoire adjacente de chaque côté. Réinstallez les bouchons.

Comptoir en granite



Lorsque l'étape est achevée, fermez la porte du lave-vaisselle et vérifiez que l'écartement entre le comptoir et le haut de la porte du lave-vaisselle soit d'au moins 1/2 po.

Comptoir



Fixation du lave-vaisselle au comptoir

⚠ AVERTISSEMENT

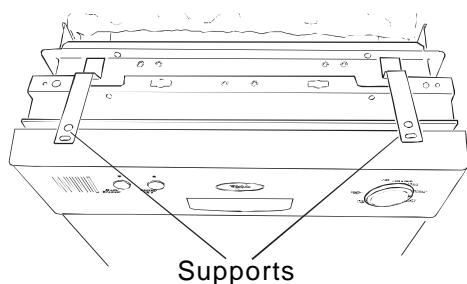
Risque de poids excessif

Utilisez deux personnes ou plus pour déplacer et installer le lave-vaisselle.

Le non respect de cette consigne peut entraîner une blessure au dos ou d'autres blessures.

À l'aide de deux personnes ou plus, tenez le lave-vaisselle debout.

Le lave-vaisselle doit être fixé sur le comptoir par les deux supports au-dessus du lave-vaisselle.



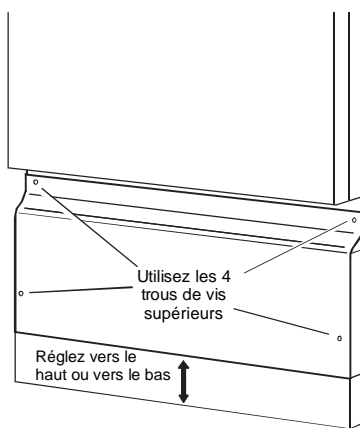
Méthode 1

Le lave-vaisselle doit être fixé au comptoir en bois.

1. Ouvrez la porte du lave-vaisselle et déposez l'égouttoir à vaisselle inférieur.
2. Placez un chiffon sur la pompe et le bras gicleur du lave-vaisselle pour empêcher les vis de tomber dans la zone de pompage lors de l'installation.

Achever l'installation

1. Posez le panneau inférieur derrière le panneau de plinthe.
2. Posez 2 pièces de plinthe contre les pieds du lave-vaisselle.
3. Posez la plinthe intérieure (avec des fentes) contre le support de plinthe. Les fentes doivent être alignées avec les trous de vis du support de plinthe. Laissez le bord inférieur de la plinthe inférieure toucher le plancher.
4. Posez la plus grande plinthe sur la pièce interne et installez les 4 vis de la plinthe. Utilisez 2 vis supplémentaires pour les installations hautes de plus de 33-1/2 po (85,09 cm). Utilisez les deux pièces de plinthe pour toutes les hauteurs de montage.
5. Rebranchez l'alimentation ou la prise du lave-vaisselle.



Plinthe à 2 pièces

Méthode de câblage direct :

AVERTISSEMENT



Risque de choc électrique

Mettez le lave-vaisselle à la terre électriquement.

Raccordez le câble de terre au connecteur vert de mise à la terre dans le boîtier de jonction.
N'utilisez pas une rallonge électrique.

Le non-respect de ces consignes peut entraîner la mort, un incendie ou un choc électrique.

Méthode du cordon d'alimentation :

AVERTISSEMENT



Risque de choc électrique

Branchez dans une prise à 3 broches mise à la terre.
Ne retirez pas la broche de terre.
N'utilisez pas un adaptateur.

N'utilisez pas une rallonge électrique.

Le non-respect de ces consignes peut entraîner la mort, un incendie ou un choc électrique.

Vérifier le fonctionnement

1. Lisez le manuel d'utilisation et d'entretien fourni avec votre lave-vaisselle.
2. Vérifiez que toutes les pièces ont été installées et qu'aucune étape n'a été omise.
3. Vérifiez que vous disposez de tous les outils dont vous avez besoin.
4. Démarrez le lave-vaisselle et laissez-le compléter le cycle de lavage le plus court. Après les deux premières minutes, déverrouillez la porte, attendez cinq secondes, puis ouvrez la porte.
5. Vérifiez la présence d'eau au fond de la cuve du lave-vaisselle. Vérifiez que le lave-vaisselle fonctionne correctement.
6. Si ce n'est pas le cas, débranchez l'alimentation ou débranchez le lave-vaisselle et reportez-vous

Si le lave-vaisselle ne fonctionne pas

Essayez d'abord les solutions suggérées ici pour éviter si possible le coût d'un appel de service.

- Le disjoncteur s'est-il déclenché ou le fusible de l'habitation est-il grillé?
- La porte est-elle bien fermée et verrouillée?
- Le cycle a-t-il été réglé correctement pour démarrer le lave-vaisselle?
- L'alimentation en eau est-elle en marche?

Si aucun de ces points de vérification ne résout le problème, appelez le 1-800-4MY-HOME.