
INSTALLATION INSTRUCTIONS
UNDERCOUNTER DISHWASHER
STAINLESS STEEL TUB

LAVAVAJILLAS EMPOTRADA CON TINA
DE ACERO INOXIDABLE

INSTRUCTIONS D'INSTALLATION
LAVE-VAISSELLE ENCASTRÉ
AVEC CUVE EN ACIER INOXYDABLE

Table of Contents	2
Indice	25
Table des matières	50

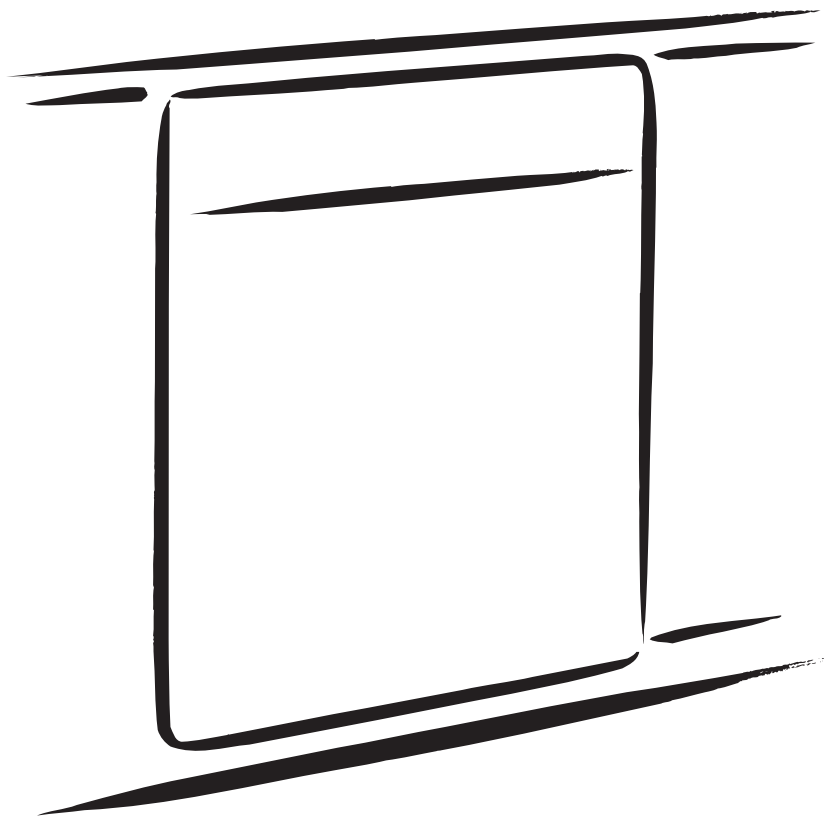


TABLE OF CONTENTS

DISHWASHER SAFETY	2	Make Power Cord Connection.....	13
INSTALLATION REQUIREMENTS	3	Determine Cabinet Opening.....	14
Tools and Parts.....	3	Install Door Handle.....	15
Location Requirements.....	4	Custom Panel Installation.....	16
Drain Requirements.....	6	Choose Attachment Option.....	16
Water Supply Requirements.....	6	Prepare Water Supply Line.....	17
Electrical Requirements.....	6	Move Dishwasher Close to Cabinet Opening.....	17
INSTALLATION INSTRUCTIONS	7	Connect to Water Supply.....	19
Prepare Cabinet Opening—		Connect to Drain.....	19
Existing Utilities.....	7	Make Direct Wire Electrical Connection.....	20
Prepare Cabinet Opening—New Utilities.....	7	Secure Dishwasher in Cabinet Opening.....	22
Prepare and Route Water Line.....	8	Complete Installation.....	23
Install Drain Hose.....	9	Check Operation.....	24
Install Optional Moisture Barrier.....	11	If Dishwasher Does Not Operate.....	24
Prepare Dishwasher.....	12	Additional Tips.....	24

DISHWASHER SAFETY

Your safety and the safety of others are very important.

We have provided many important safety messages in this manual and on your appliance. Always read and obey all safety messages.



This is the safety alert symbol.

This symbol alerts you to potential hazards that can kill or hurt you and others.

All safety messages will follow the safety alert symbol and either the word “DANGER” or “WARNING.”

These words mean:

⚠ DANGER

You can be killed or seriously injured if you don't immediately follow instructions.

⚠ WARNING

You can be killed or seriously injured if you don't follow instructions.

All safety messages will tell you what the potential hazard is, tell you how to reduce the chance of injury, and tell you what can happen if the instructions are not followed.

⚠ WARNING



Tip Over Hazard

Do not use dishwasher until completely installed.

Do not push down on open door.

Doing so can result in serious injury or cuts.

You Need to:

- Slowly open dishwasher door while someone grasps the rear of the dishwasher. Remove shipping materials and drain hose. Close dishwasher door until latched.

NOTE: Each dishwasher is tested at the factory and may contain some residual water in the tub as a result of the test.

- Observe all governing codes and ordinances.
- Install this dishwasher as specified in these instructions.
- Installation should be performed by a qualified service technician.
- The dishwasher must be installed to meet all electrical and plumbing national and local codes and ordinances.

Care shall be exercised when the appliance is installed or removed, to reduce the likelihood of damage to the power cord.

WARNING: To reduce the risk of electric shock, fire, or injury to persons, the installer must ensure that the dishwasher is completely enclosed at the time of installation.


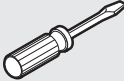
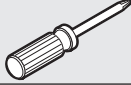
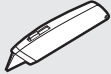
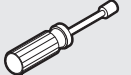
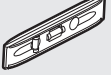



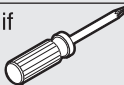
INSTALLATION REQUIREMENTS

Tools and Parts

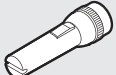
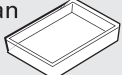


Gather the recommended tools and parts before starting installation. Read and follow the instructions provided with any tools listed here.

All Installations




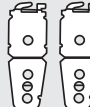

Tools Needed:

Pliers 	Flat-blade screwdriver 
Phillips screwdriver 	Utility knife 
5/16" and 1/4" nut drivers or hex sockets 	Small level 
Measuring tape or ruler 	5/8" open-end wrench 
10" adjustable wrench that opens to 1 1/8" (2.9 cm) 	Torx® T20® and, if installing custom front panels, Torx® T15® screwdrivers 

Other Useful Items You May Need:


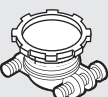

Flashlight 	Shallow pan 	Bath towel 	Masking or duct tape 
---	--	---	--

Parts Supplied:

Drain hose clamps (2) (1 large/red and 1 small/green) 	Drain hose 	#10 x 1/2" Phillips-head screws (2) 	Undercounter mounting brackets (2) 	Door handle (on some models) 
---	--	---	--	--

Make sure all these parts are included in the literature package. If parts are not included, call 1-800-422-1230. In Canada, call 1-800-807-6777.

Other Parts Needed: (not provided)

<p>3/8" Compression x 3/4" Hose Fitting with rubber seal and 90° elbow (required to properly connect household water line to the dishwasher)</p>  <p>(Whirlpool Part Number W10685193)</p>	<p>Household Wiring (Metallic) Strain Relief to fit 7/8" (2.2 cm) hole (required to properly secure household wiring to the dishwasher terminal box)</p> <p>NOTE: Use only UL Listed/CSA Approved part</p>  <p>(Whirlpool Part Number 4396672)</p>	<p>Twist-on Wire Connectors</p> <p>NOTE: Confirm proper size for connecting your gauge of household wiring to the 16-gauge wiring in the dishwasher</p> <p>NOTE: Use only UL Listed/CSA Approved parts.</p> 
--	---	--

Call Whirlpool Parts: 1-800-442-9991, for Part Number above; or see local electrical/plumbing supply retailer for equivalent.

Optional Accessory Parts Available:



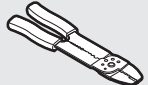
<p>Moisture Barrier Tape</p> <p>NOTE: Moisture barrier tape is an optional, added level of protection if installing a dishwasher under a wooden countertop.</p> <p>(Whirlpool Part Number 4396277)</p> 	<p>Side Panel Kit</p> <p>For enclosing the side of the dishwasher when installing it at the end of your cabinetry.</p> <p>(Whirlpool Part Number varies with color)</p> 
--	--

Call Whirlpool Parts: 1-800-442-9991, for Part Number above.




First-time Installations:

Check local codes. Check existing electrical supply. See the "Electrical Requirements" section. It is recommended that electrical connections be made by a licensed electrical installer.

Additional Tools Needed:




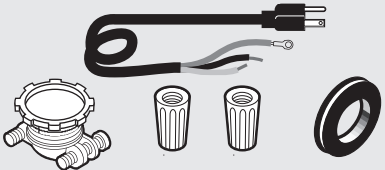
<p>Cordless drill with 1/2", 3/4" and 1 1/2" hole saw bits</p> 	<p>Small tubing cutter</p> 	<p>Wire stripper</p> 
--	--	--

Additional Parts Needed (not provided)

<p>Copper tubing (3/8" O.D. suggested) or Flexible Braided Water Supply Line Kit (Whirlpool Part Number W10278635RP). Kit includes Braided Hose and 3/8" Compression x 3/4" Hose Fitting</p> 	<p>Screw-Type Clamps 1 1/2" - 2" (3.81 - 5 cm) (3 maximum)</p> 	<p>Optional-Longer Drain Hose Maximum length: 12 ft (3.7 m)</p> <p>NOTE: Must meet AHAM/IAPMO test standards, fit 1" (2.5 cm) drain connection, and be resistant to heat and detergent.</p> <p>(Whirlpool Part Number 3385556)</p> 
---	--	---

Call Whirlpool Parts: 1-800-442-9991, for Part Number above, or see local plumbing supply retailer for equivalent.

NOTE: If using a flexible braided hose, replace inlet hose after 5 years to reduce the risk of hose failure. Record hose installation or replacement dates on the hose for future reference.

<p>For Direct Wire</p> 	<p>For Power Cord</p> 
<p>Cabinet Grommet</p> <p>For 1 1/2" (3.8 cm) hole in cabinet.</p>  <p>(Whirlpool Part Number 302797)</p> <p>NOTE: Required for metal cabinets.</p>	<p>Power Cord Kit</p> <p>Kit typically includes power cord, metallic strain relief, grommet, and twist-on wire connectors.</p>  <p>(Whirlpool Part Number 4317824)</p>

Call Whirlpool Parts: 1-800-442-9991, for Part Number above; or see local electrical supply retailer for equivalent.

†@TORX, T15, and T20 are registered trademarks of Acument Intellectual Properties, LLC.

Location Requirements

Dishwasher must be fully enclosed (top, sides, back, and floor) upon installation. A side panel kit is available from your dealer for installing your dishwasher at the end of your cabinetry.

An optional moisture barrier accessory is also available for installing underneath a wooden countertop. See the "Tools and Parts" section at the front of the guide for part details and orders.

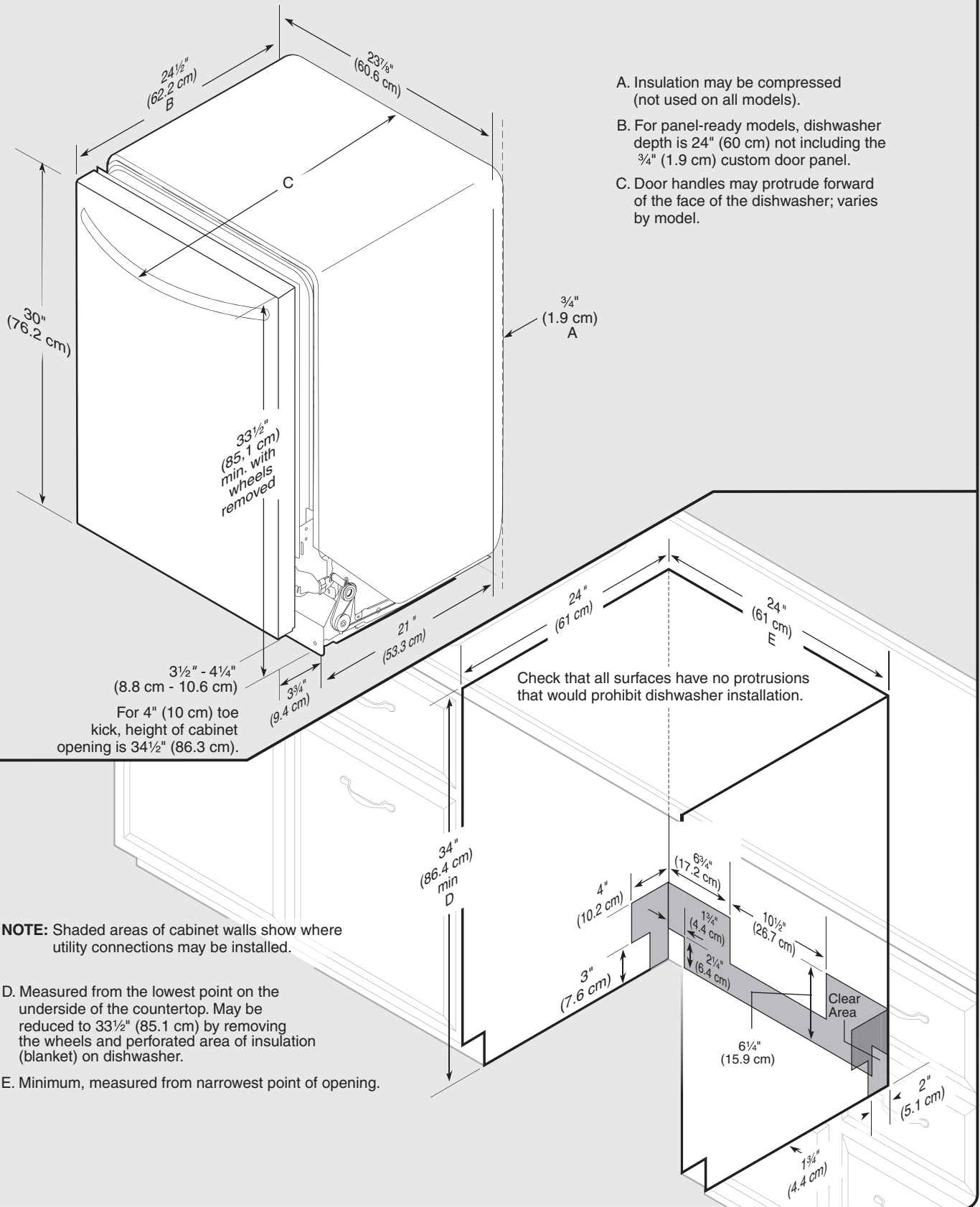
Check location where dishwasher will be installed. The location must provide:

- Convenient access for loading and unloading dishes. Corner locations require a 2" (5.1 cm) minimum clearance between the side of the dishwasher door and the wall or cabinet.
- Easy access to water, electricity and drain.
 - Grounded electrical supply required.
 - Make sure pipes, wires and drain hose are within the shaded area shown in the "Product and Cabinet Opening Dimensions" section.
 - Do not run drain lines, water lines or electrical wiring where they can interfere with or contact dishwasher motor or legs.
 - Shelter dishwasher and water lines leading to dishwasher against freezing. Damage from freezing is not covered by the warranty.

NOTE: If dishwasher will be left unused for a period of time or in a location where it may be subject to freezing, have it winterized by authorized service personnel.

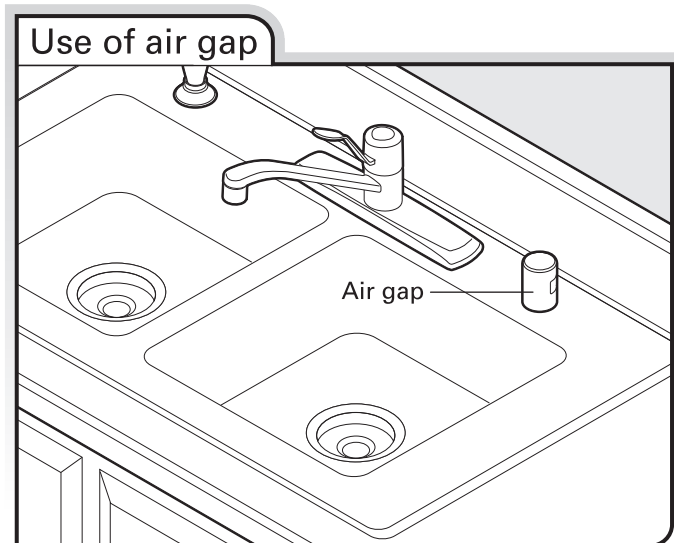
- A square opening for proper operation and appearance.
- The cabinet front to be perpendicular to floor.
- A level floor.
Helpful Hint: If floor at front of opening is not level with floor at rear of opening, shims may be used to level dishwasher.
NOTE: To avoid shifting during dishwasher operation, shims must be securely attached to the floor.
- The location where the dishwasher will be installed must provide clearance between motor and flooring. Motor should not touch the floor.
- Do not install dishwasher over carpeted flooring.

Product and Cabinet Opening Dimensions



Drain Requirements

- A new drain hose is supplied with your dishwasher. If drain hose is not long enough, use a new drain hose with a maximum length of 12 ft (3.7 m) that meets all current AHAM/ IAPMO test standards, is resistant to heat and detergent, and fits the 1" (2.5 cm) drain connector of the dishwasher. See the "Tools and Parts" section at the front of the guide for part details and orders.
- Make sure to connect drain hose to waste tee or disposer inlet above drain trap in house plumbing and 20" (50.8 cm) minimum above the floor. It is recommended that the drain hose either be looped up and securely fastened to the underside of the counter, or be connected to an air gap.



- Make sure to use an air gap if the drain hose is connected to house plumbing lower than 20" (50.8 cm) above sub floor or floor.
- If required, the air gap should be installed in accordance with the air gap installation instructions. When you are connecting the air gap, a rubber hose (not provided) will be needed to connect to the waste tee or disposer inlet.
- Use ½" minimum I.D. drain line fittings

Water Supply Requirements

- A hot water line with 20 to 120 psi (138 to 862 kPa) water pressure can be verified by a licensed plumber.
- 120°F (49°C) water at dishwasher.
- ⅜" O.D. copper tubing with compression fitting or flexible braided water supply line. See the "Tools and Parts" section at the front of the guide for part details and orders.
NOTE: ½" minimum plastic tubing is not recommended.
- A 90° elbow with ¾" hose connection with rubber washer. See the "Tools and Parts" section at the front of the guide for part details and orders.
- Do not solder within 6" (15.2 cm) of the water inlet valve.

Electrical Requirements

Be sure that the electrical connection and wire size are adequate and in conformance with the National Electrical Code, ANSI/NFPA 70 - latest edition and all local codes and ordinances.

A copy of the above code standards can be obtained from:

National Fire Protection Association
1 Batterymarch Park
Quincy, MA 02169-7471

You Must Have:

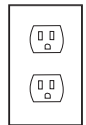
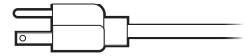
- 120-volt, 60 Hz, AC-only, 15- or 20-amp, fused electrical supply.
- Copper wire only.
- A maximum of two field wiring supply conductors (12 AWG largest size) plus one grounding conductor are permitted in the terminal box.

We Recommend:

- A time-delay fuse or circuit breaker.
- A separate circuit.

If Connecting Dishwasher With A Power Cord:

- Use UL Listed power cord kit marked for use with dishwasher. See the "Tools and Parts" section at the front of the guide for part details and orders.
- Power cord must plug into a grounded 3 prong outlet, located in the cabinet next to the dishwasher opening. Outlet must meet all local codes and ordinances.



If Connecting Dishwasher With Direct Wiring:

- Use flexible, armored or nonmetallic sheathed, copper wire with grounding wire that meets the wiring requirements for your home and local codes and ordinances.
- Use a UL Listed/CSA Approved metallic strain relief. See the "Tools and Parts" section at the front of the guide for part details and orders.



INSTALLATION INSTRUCTIONS

⚠ WARNING



Electrical Shock Hazard

Disconnect electrical power at the fuse box or circuit breaker box before installing dishwasher.

Failure to do so can result in death or electrical shock.

1 Disconnect power

Disconnect electrical power at the fuse box or circuit breaker box before installing dishwasher.

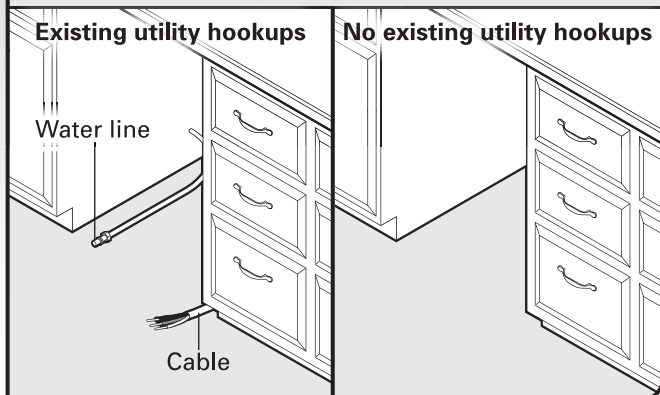
2 Shut off water supply

Shut off the water supply to the dishwasher.

3 Do you already have utility hookups?

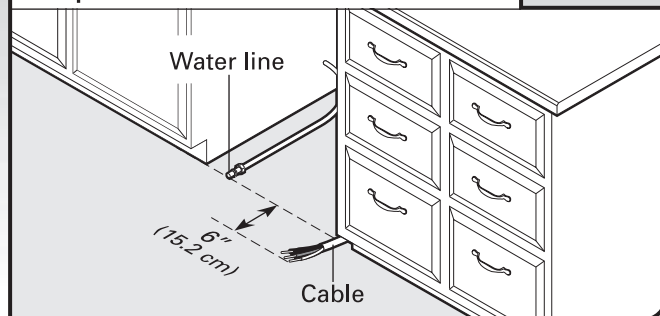
Yes —Follow instructions in the “Prepare Cabinet Opening—Existing Utilities” section.

No —Follow instructions in the “Prepare Cabinet Opening—New Utilities” section.



Prepare Cabinet Opening—Existing Utilities

1 Check water and electrical placement



When removing a previous dishwasher, be sure to avoid damaging the existing power cord, drain line, and water line connected to the dishwasher.

If the water line and the cable extend to the locations shown, proceed to the “Install Drain Hose” section. If they do not reach far enough, follow the instructions in the “Prepare Cabinet Opening—New Utilities” section.

Prepare Cabinet Opening—New Utilities

Prepare And Route The Electrical Supply

What type of electrical connection will you use?

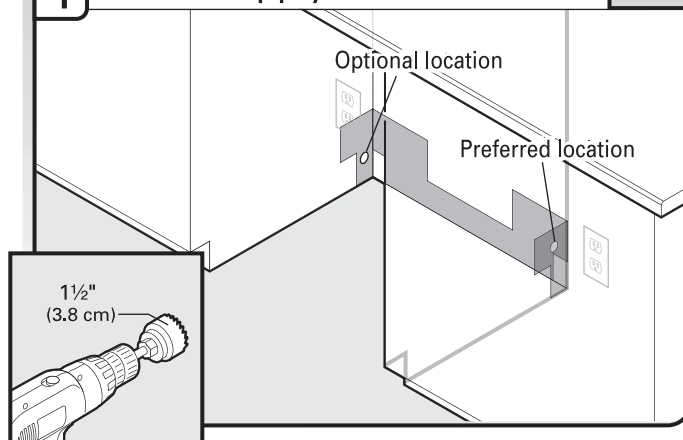
 Power Cord:
Follow Option A instructions

 Direct Wire:
Follow Option B instructions

Option A, Power Cord:

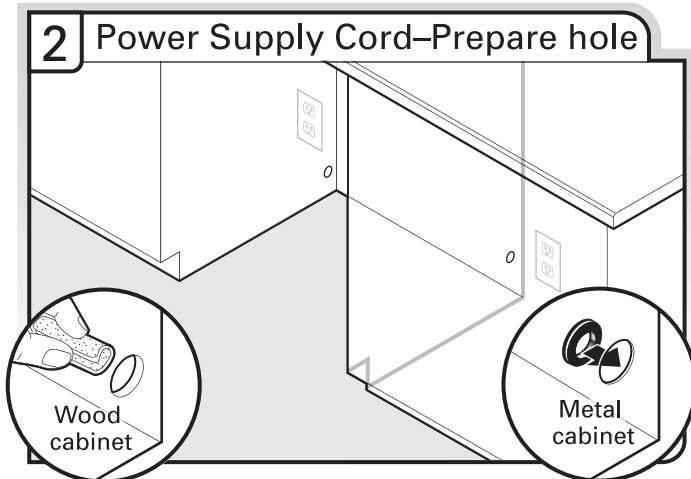
NOTE: A grounded 3 prong outlet is required inside a cabinet next to the dishwasher cabinet opening.

1 Power Supply Cord—Drill hole



Drill a 1½" (3.8 cm) hole in cabinet side or rear. See the “Product and Cabinet Opening Dimensions” section.

2 Power Supply Cord—Prepare hole



Wood cabinet: Sand the hole until smooth.

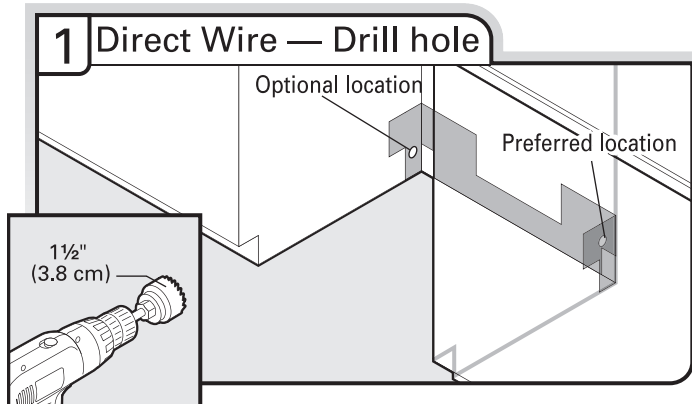
Metal cabinet: Cover edges of hole with grommet included with power cord kit.

See the “Tools and Parts” section at the front of the guide for part details.

Option B, Direct Wire

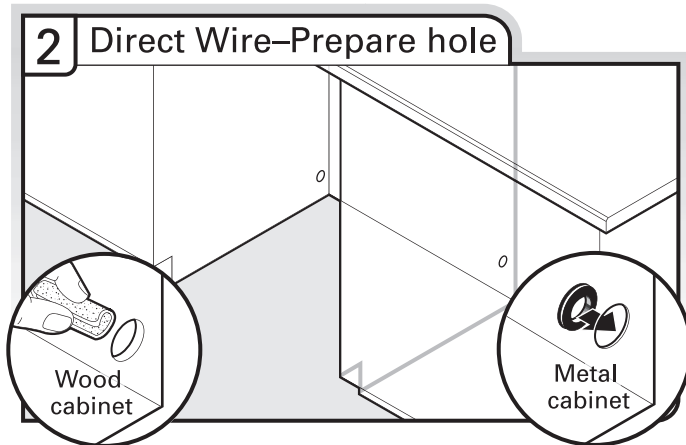
Helpful Tip: Wiring the dishwasher will be easier if you route the cable into the cabinet opening from the right-hand side.

1 Direct Wire — Drill hole



Drill a 1½" (3.8 cm) hole in right-hand cabinet side or rear. See the “Product and Cabinet Opening Dimensions” section.

2 Direct Wire—Prepare hole

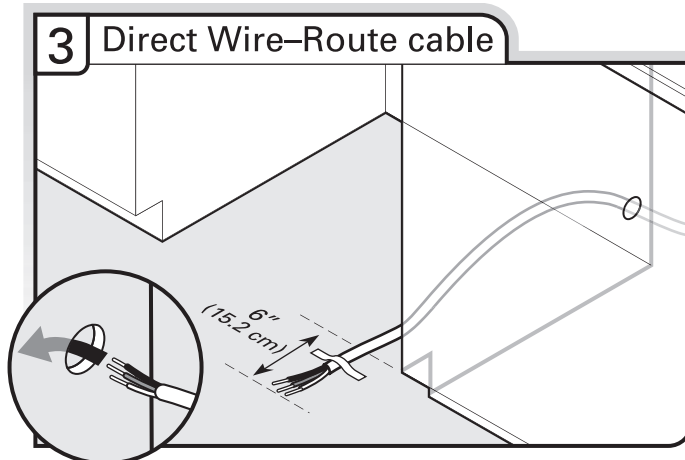


Wood cabinet: Sand the hole until smooth.

Metal cabinet: Cover edges of hole with a grommet.

See the “Tools and Parts” section at the front of the guide for part details.

3 Direct Wire—Route cable

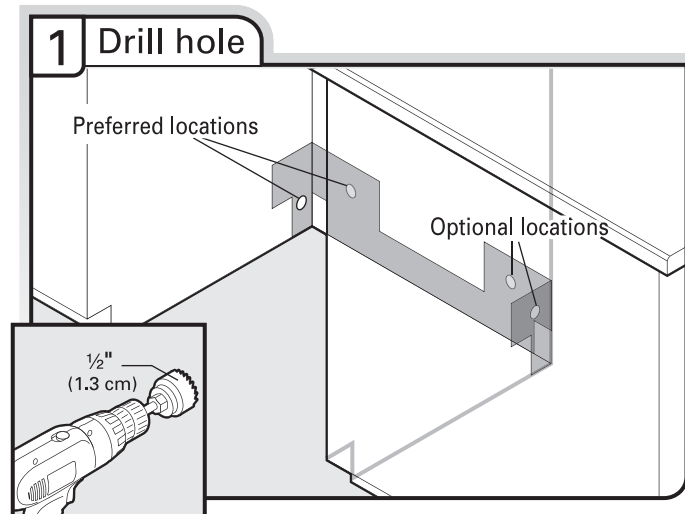


Route cable from power supply through cabinet hole (cable must extend to the right front side of cabinet opening). Tape cable to the floor in area shown. This will prohibit cable from moving when dishwasher is moved into cabinet opening.

Prepare and Route Water Line

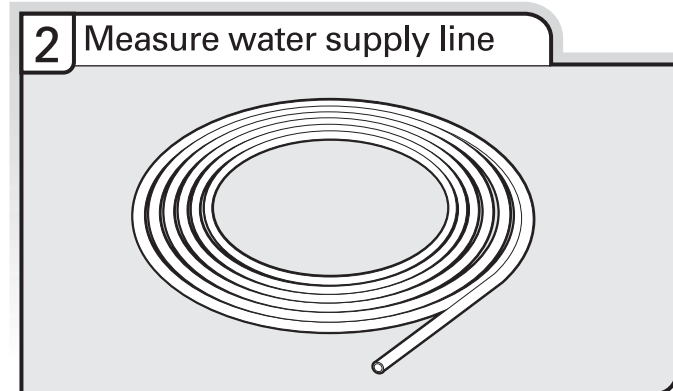
Helpful Tip: Routing the water line through the left-hand side of cabinet opening will make water connection easier.

1 Drill hole



Drill a ½" (1.3 cm) hole in the cabinet side or rear.

2 Measure water supply line

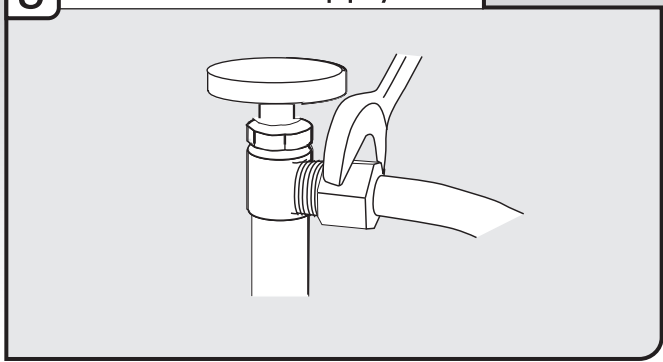


If using copper tubing, measure overall length of copper tubing required to reach the water supply, cut to length and attach compression fittings.

If using flexible braided line, confirm braided line is of adequate length. See the “Tools and Parts” section at the front of the guide for part details and orders.

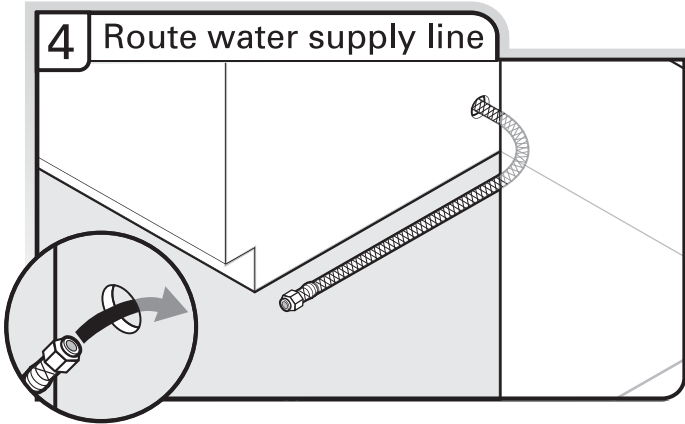
NOTE: If using a flexible braided hose, replace inlet hose after 5 years to reduce the risk of hose failure. Record hose installation or replacement dates on the hose for future reference.

3 Attach water supply line



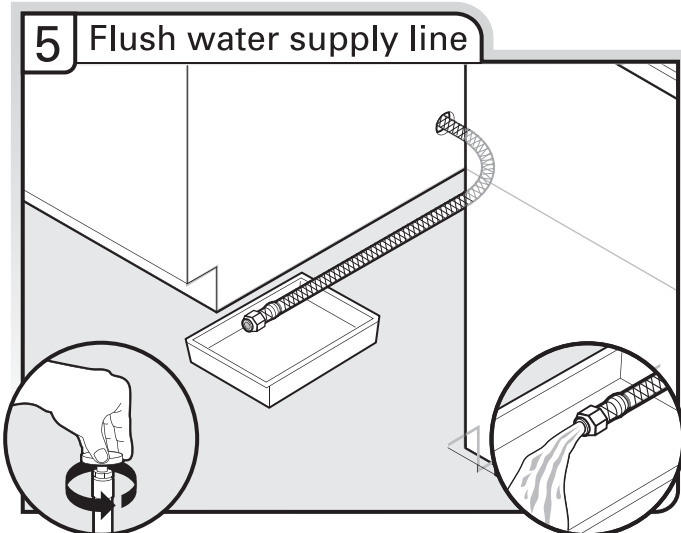
Attach the water supply line (copper tubing or flexible braided line) to the hot water line using a connection configuration that is in compliance with local codes and ordinances. The water supply to the dishwasher should have a manual shutoff valve located under the sink.

4 Route water supply line



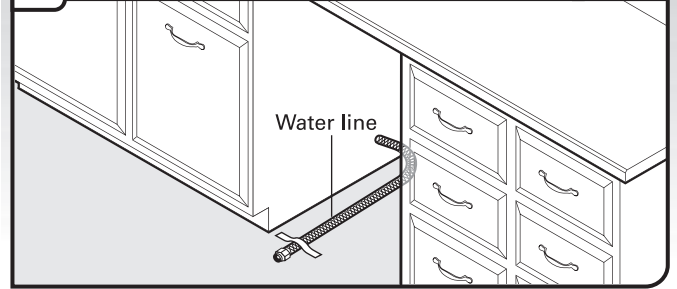
Slowly route water supply line through hole in cabinet. (If you are using copper tubing, it will bend and kink easily, so be gentle.) It should be far enough into the cabinet opening to connect it to the dishwasher inlet on the front left side of the dishwasher.

5 Flush water supply line



Slowly turn water shutoff valve to "ON" position. Flush water into a shallow pan until clear to get rid of particles that could clog the inlet valve. Turn shutoff valve to "OFF" position.

6 Temporarily secure water line

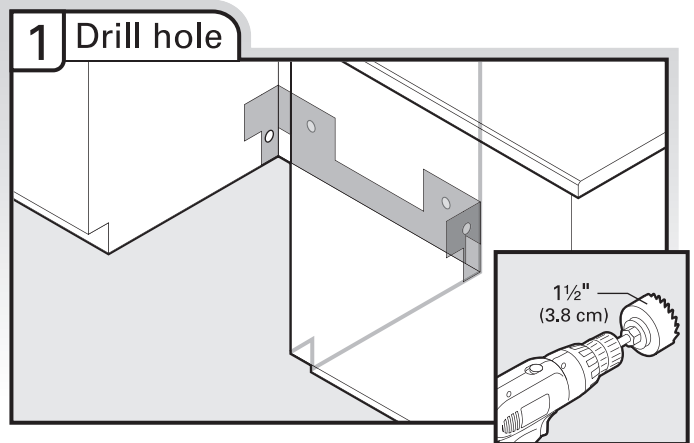


Route water line and tape it to the floor in area shown. This will keep it from moving when dishwasher is moved into cabinet opening.

Install Drain Hose

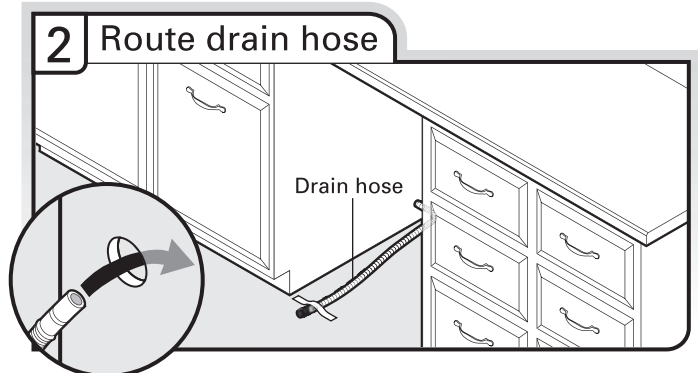
IMPORTANT: Always use a new drain hose. Check local codes to determine whether an air gap is required.

1 Drill hole



If needed, drill a 1 1/2" (3.8 cm) diameter hole in cabinet wall or side of the opening closest to the sink.

2 Route drain hose



Route drain hose, as shown, through hole in cabinet to the front center of opening where drain connection will be made. Tape drain hose to the floor in area shown. This will prohibit it from moving when dishwasher is moved into cabinet opening.

3 Connect drain hose

Connect drain hose to waste tee or waste disposer using one of the following options:

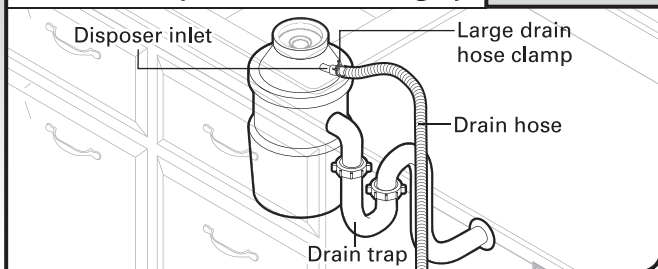
- Option A, Waste disposer – no air gap
- Option B, No waste disposer – no air gap
- Option C, Waste disposer – with air gap
- Option D, No waste disposer – with air gap

IMPORTANT: The drain hose connection of the disposer or a waste tee must be made before the drain trap and at least 20" (50.8 cm) above the floor where the dishwasher will be installed.

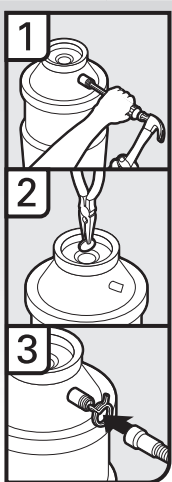
Helpful Tip: To reduce vibration of the hose, keep the hose away from the floor.

Option A, Waste Disposer – No Air Gap

Waste disposer – no air gap



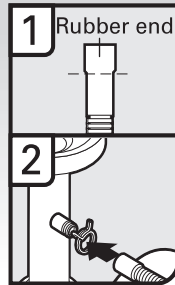
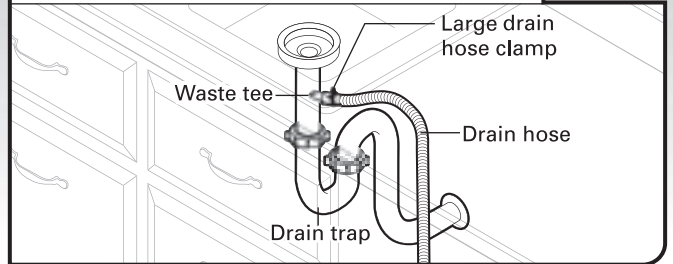
Helpful Tip: Remove disposer knockout plug.



1. Using a hammer and screwdriver, knock plug into disposer.
2. Use needle-nose pliers to remove plug.
3. Attach drain hose to disposer inlet with large drain hose clamp (provided). Use pliers to squeeze clamp open and move into position.

Option B, No Waste Disposer – No Air Gap

No waste disposer – no air gap



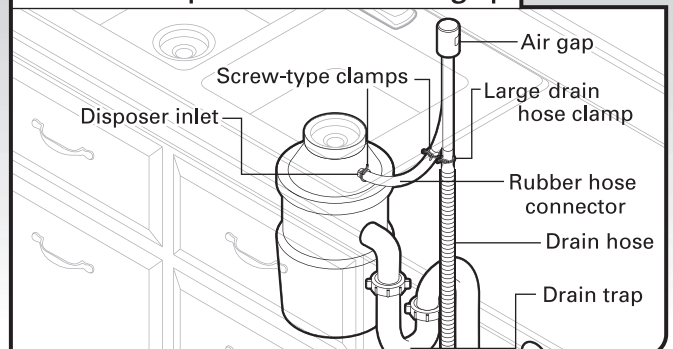
1. Fit rubber end of drain hose to waste tee and cut if needed.

NOTE: Do not cut ribbed section.

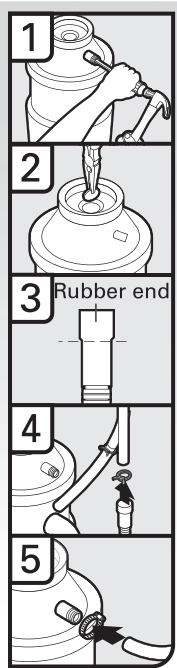
2. Attach rubber end of drain hose to waste tee with a large drain hose clamp (provided). Use pliers to squeeze clamp open and move into position. If the drain hose was cut, use a 1½" to 2" (3.8 to 5 cm) screw-type clamp (not provided).

Option C, Waste Disposer – With Air Gap

Waste disposer – with air gap

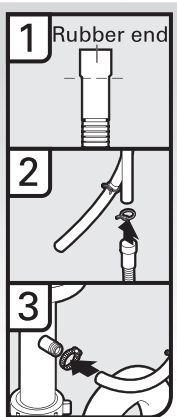
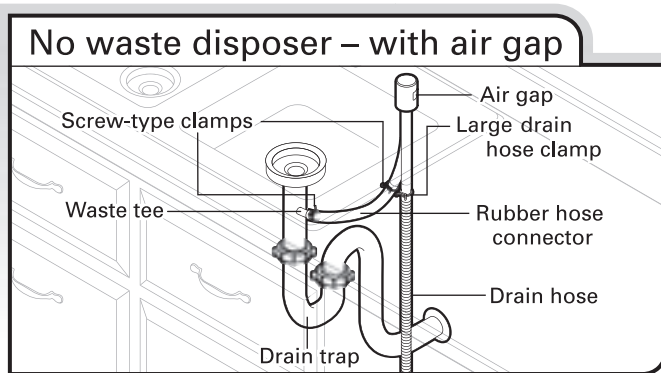


Helpful Tip: Remove disposer knockout plug.



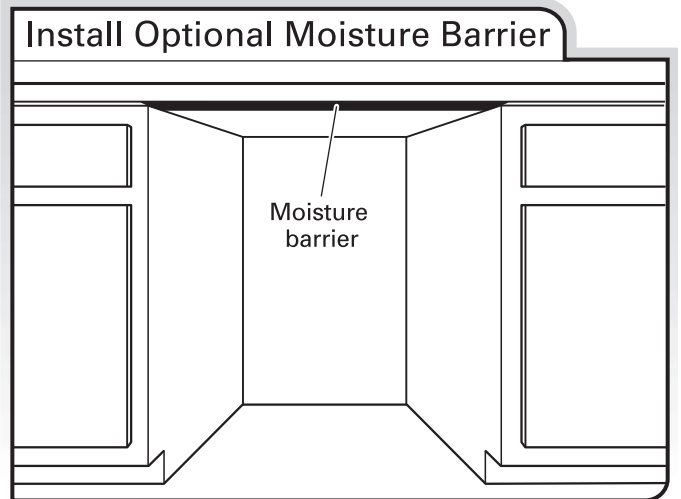
1. Using a hammer and screwdriver, knock plug into disposer.
2. Use needle-nose pliers to remove plug.
3. Connect rubber end of drain hose to air gap and cut if needed.
NOTE: Do not cut ribbed section.
4. Attach drain hose to air gap with large drain hose clamp (provided). Use pliers to squeeze clamp open and move into position. If the drain hose was cut, use a 1½" to 2" (3.8 to 5 cm) screw-type clamp (not provided).
5. Use a rubber hose (not provided) with screw-type clamps (not provided) to connect from air gap to disposer inlet.

Option D, No Waste Disposer – With Air Gap



1. Connect rubber end of drain hose to air gap and cut if needed.
NOTE: Do not cut ribbed section.
2. Attach drain hose to air gap with large drain hose clamp (provided). Use pliers to squeeze clamp open and move into position. If the drain hose was cut, use a 1½" to 2" (3.8 to 5 cm) screw-type clamp (not provided).
3. Use a rubber hose (not provided) with screw-type clamps (not provided) to connect from waste tee to air gap.

Install Optional Moisture Barrier



See the "Tools and Parts" section at the front of the guide for part details and orders.

1. Make sure the area under the cabinet is clean and dry for installation of the moisture barrier.
2. Remove the backing of the moisture barrier and apply to underside of the countertop along the front edge of the counter.

Prepare Dishwasher

⚠ WARNING



Tip Over Hazard

Do not use dishwasher until completely installed.

Do not push down on open door.

Doing so can result in serious injury or cuts.

⚠ WARNING

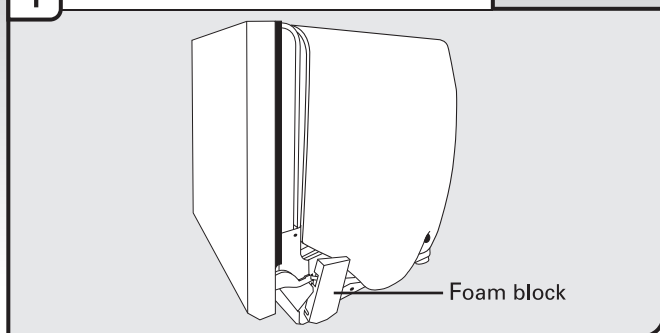
Excessive Weight Hazard

Use two or more people to move and install dishwasher.

Failure to do so can result in back or other injury.

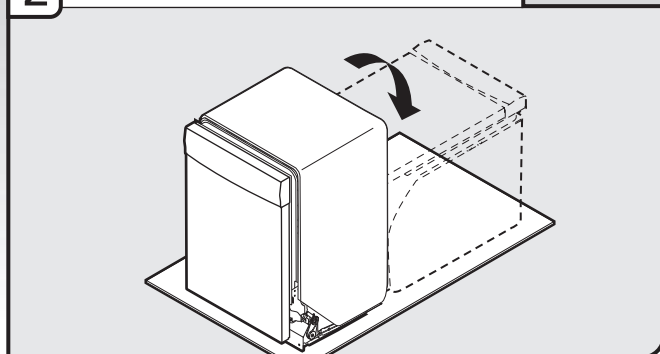
Helpful Tip: Place cardboard under dishwasher until installed in cabinet opening to avoid damaging floor covering.

1 Remove foam block



Remove and discard the foam blocks (if blocks are present, not all models have them) located above the front legs on each side of the dishwasher. The blocks cover the rope/link pulleys on the dishwasher.

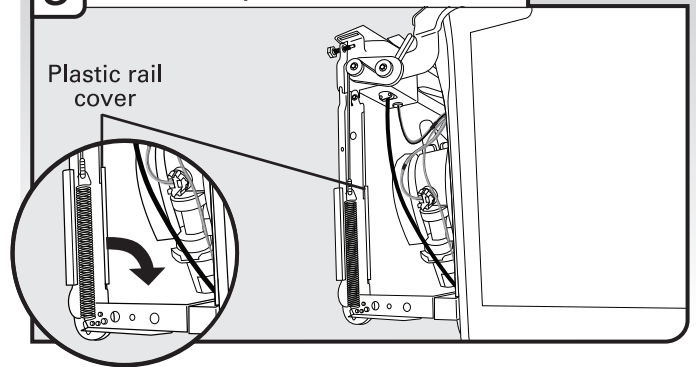
2 Put dishwasher on its back



Using 2 or more people, grasp sides of dishwasher door frame and place dishwasher on its back.

Do not use door panel as a worktable without first covering with a towel to avoid scratching the door panel.

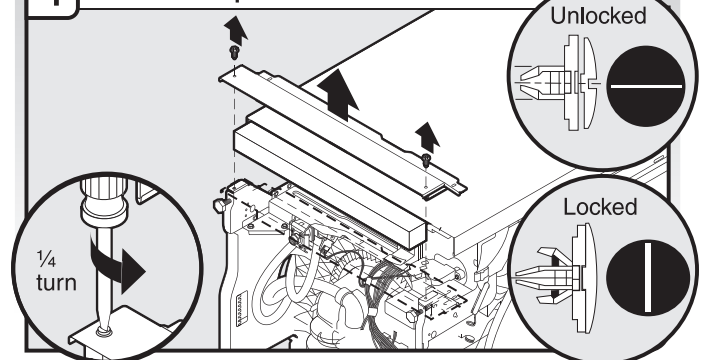
3 Remove plastic rail cover



Remove and discard the plastic rail cover on each side of the dishwasher frame. To remove the plastic rail cover, push upward and back to unsnap it from the dishwasher frame.

Option A, Remove Access Panel - Plastic Panel

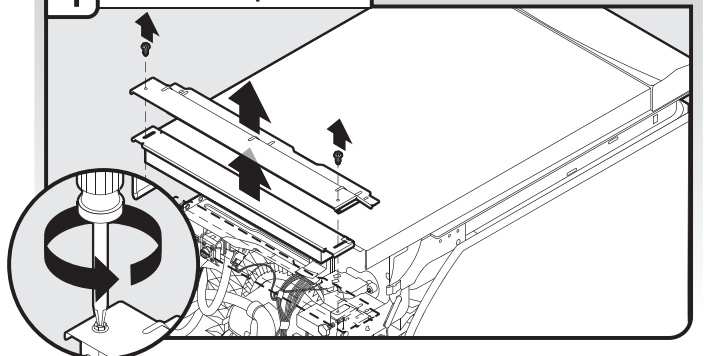
4 Remove panel and fasteners



Using a flat-blade screwdriver, turn the plastic fasteners $\frac{1}{4}$ turn counterclockwise to unlock them. Remove panel. Do not remove tech sheet from access panel.

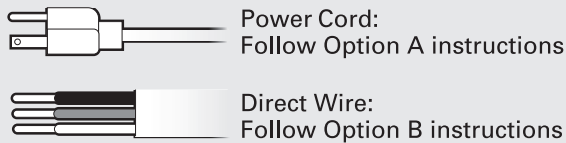
Option B, Remove Access Panel - Metal Panel

4 Remove panels



Using a $\frac{1}{4}$ " nut driver or Phillips screwdriver, remove 2 screws attaching access panel and lower panel to dishwasher. Do not remove tech sheet from access panel.

What type of electrical connection will you use?

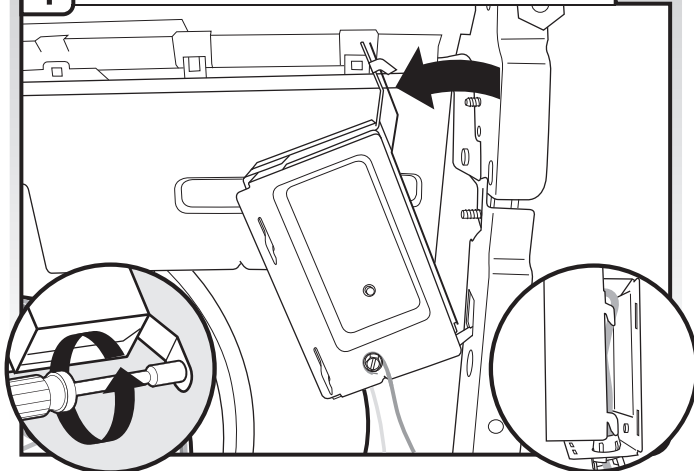


NOTE: If using Option B, proceed to “Determine Cabinet Opening,” to continue with more of the installation of your dishwasher before making the direct wire connection.

Make Power Cord Connection

Option A, Power Cord

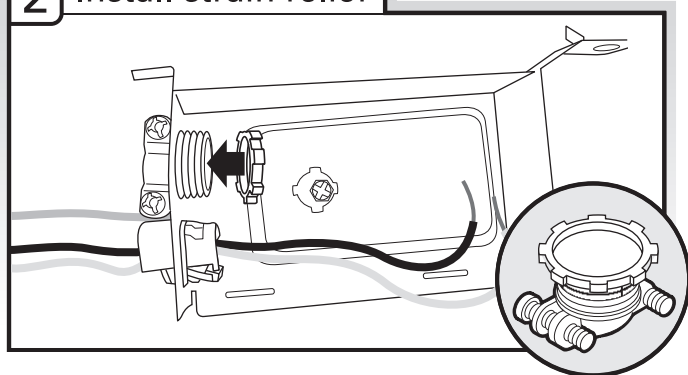
1 Remove terminal box and cover



Do not disconnect the green, black, or white dishwasher wires already attached to the terminal box. There should be adequate length in these wires to pull the terminal box out from under the dishwasher if you lift the wires off of the nearby clips or components being used to keep them off the floor.

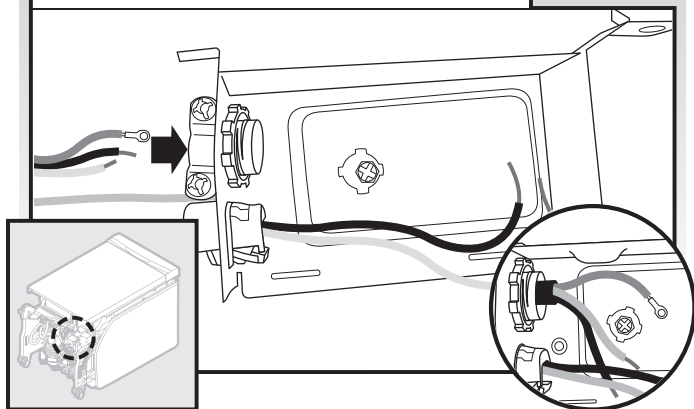
Use a 1/4" nut driver or 1/4" hex-head socket wrench to remove the screw that holds the terminal box to the cross brace. Then, tilt the terminal box, free the tab and lift the terminal box away from the crossbar. Remove the cover by sliding it up and lifting its hooks out of the slots. Retain cover for later use.

2 Install strain relief



Install a UL Listed/CSA Approved metallic strain relief. Make sure screw heads are facing up when tightening conduit nut. Strain relief is provided with the power cord kit. See the “Tools and Parts” section at the front of the guide for part details and orders.

3 Power Cord—Route cord into terminal box



Route cord so that it does not touch dishwasher motor or lower part of dishwasher tub. Pull cord through strain relief in terminal box.

Note: A maximum of two power cord supply conductors (12 AWG largest size) plus one grounding conductor are permitted in the terminal box

⚠ WARNING



Electrical Shock Hazard

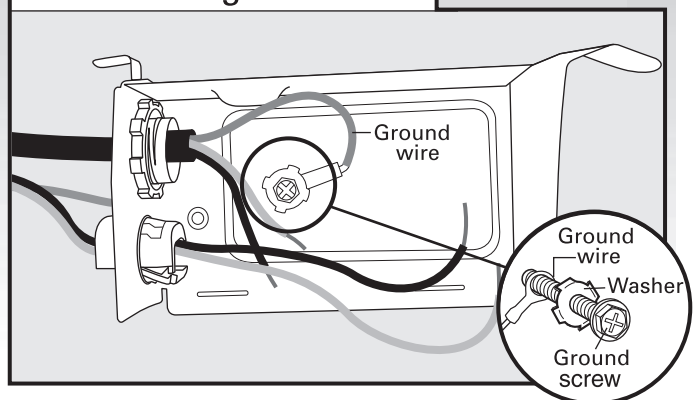
Electrically ground dishwasher.

Connect ground wire to green ground connector in terminal box.

Do not use an extension cord.

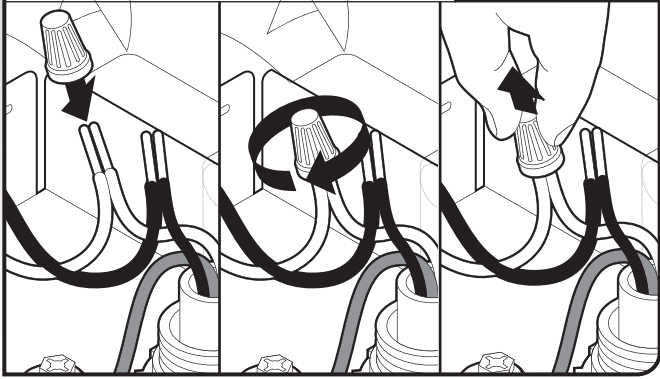
Failure to follow these instructions can result in death, fire, or electrical shock.

4 Power Cord—Connect ground wire



Remove the ground connector screw on the raised floor inside the box and place it through the ring terminal of the green ground wire of power cord. Reattach and tighten the ground connector screw to the raised floor of the box.

5 Power Cord—Connect remaining wires



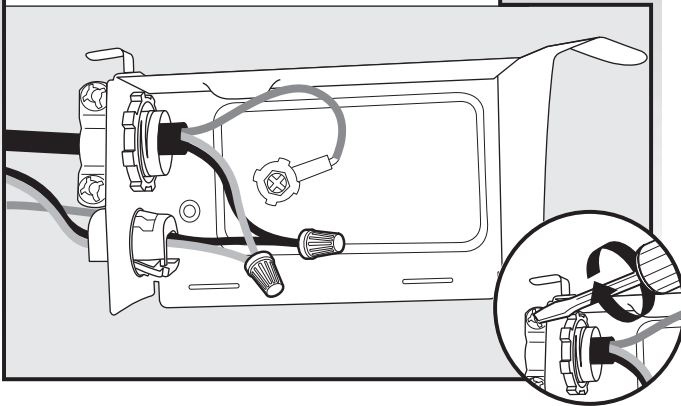
Select UL Listed/CSA Approved twist-on wire connectors of the proper size. See the “Tools and Parts” section at the front of the guide for part details. Connect wires, black to black and white to white, using the twist-on wire connectors.

NOTE: Do not pre-twist stranded wire. Twist on wire connector. Gently tug on wires to be sure both are secured.

Wiring configuration

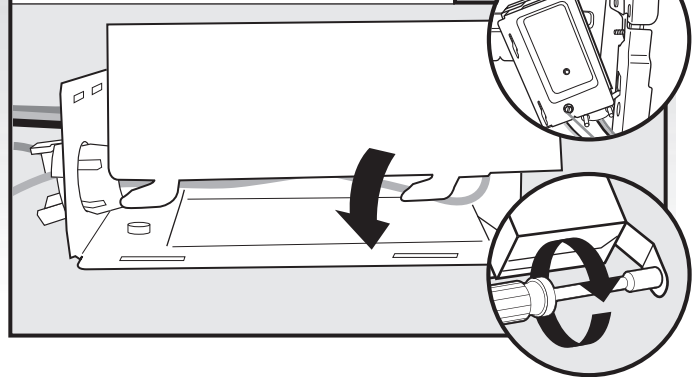
Power supply wire:		Terminal box wire:
white	↔	white
black	↔	black
ground wire	↔	ground connector

6 Power Cord—Secure cord on strain relief



Tighten strain relief screws to secure cord.

7 Power Cord—Reinstall terminal box cover



Place wires inside terminal box. Replace the cover by inserting the hooks of the terminal cover into the slots in the floor of the terminal box and sliding the cover tight against the back wall where wires come in. Make sure wires are tucked inside the box and not pinched by the cover.

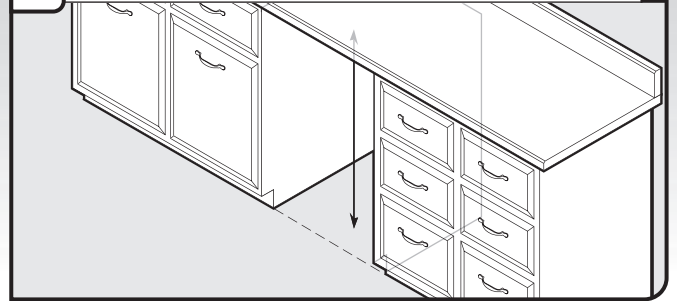
Then, put the terminal box back on the crossbar with the tab in place. Use a 1/4" nut driver and the previously removed screw to secure the terminal box to the crossbar.

NOTE: Do not plug into outlet until instructed to do so.

Once the terminal box has been remounted on the dishwasher, there should be some excess length or slack in the green, black, and white wires coming from the dishwasher to the terminal box. Wrap these wires over the nearby clips over the nearby components or clip them back into the nearby clips that they were routed through prior to your removing the box, to help keep them off the floor.

Determine Cabinet Opening

1 Measure cabinet opening

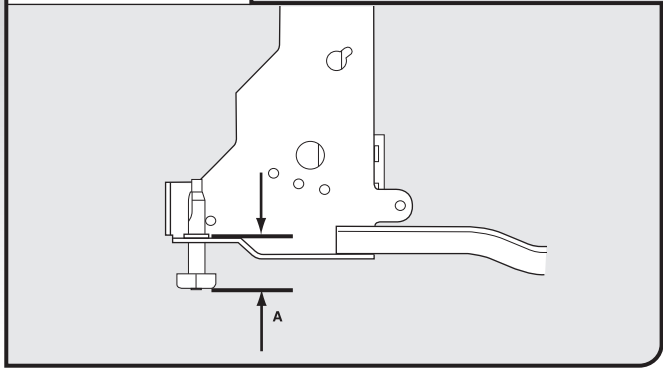


Measure height of cabinet opening from underside of countertop to floor where dishwasher will be installed (you will need to measure the lowest point on the underside of the countertop and the highest point on the floor). Refer to “Dishwasher Height Adjustment Chart” for wheel position and for wheel position and height of front legs needed for your cabinet opening height.

Dishwasher Height Adjustment Chart

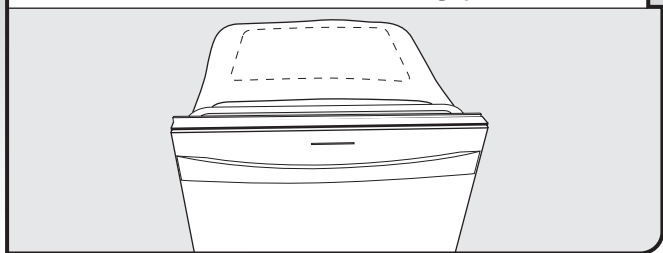
Cabinet opening height	Front legs height	Wheel position	Insulation blanket
33½" (85.1 mm)	¾" (9.8 mm)	Removed	Cut
34" (86.4 cm)	7/8" (22 mm)	1	No cut
34¼" (87.0 cm)	1" (25 mm)	2	No cut
34½" (87.6 cm)	1⅛" (28.8 mm)	3	No cut

Front legs - A



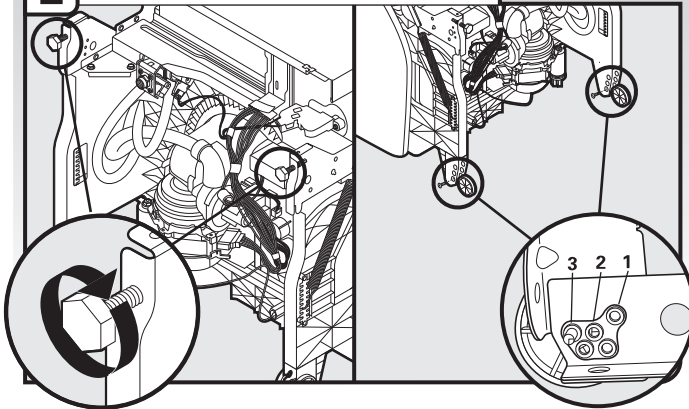
NOTE: If the minimum cabinet opening height is less than 34" (86.4 cm), the rear wheels can be removed for additional clearance. This will allow the dishwasher and perforated section of the insulation blanket to fit into a 33½" (85.1 cm) high cabinet opening, but the dishwasher will be more difficult to move. Measurements are approximate. Wheels and legs are preset at the factory for 34½" (87.6 cm).

Cut insulation blanket along perforation



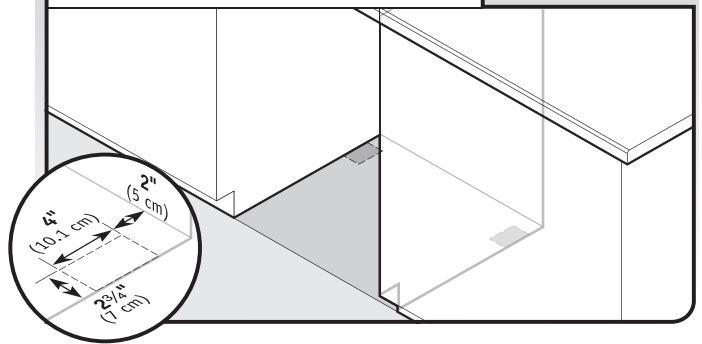
Cut insulation blanket along perforation for cabinet opening height of 33½" (85.1 cm). For other cabinet opening heights, do not cut.

2 Adjust wheels and legs



Turn both leveler legs to the same height. Put wheels in the required position determined from "Dishwasher Height Adjustment Chart."

3 Built-up Floors—Add shims as needed



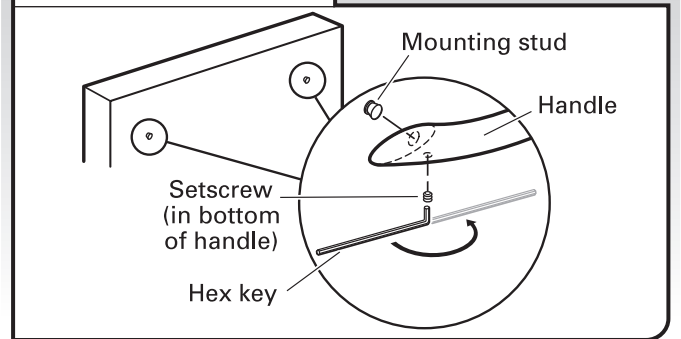
Built-up floors: If the kitchen floor is higher than the cabinet opening's floor - for example, the kitchen floor tile does not extend into the cabinet opening - add shims as needed in the area shown to bring the dishwasher up to 34" (86.4 cm) below the countertop.

NOTE: Shims must be securely attached to floor to avoid movement when the dishwasher is in use.

Install Door Handle

(on some models)

Install door handle



IMPORTANT: Do not scratch the front panel during this procedure.

Remove the door handle and hardware bag containing the setscrews and hex key from the cardboard box. Setscrews are already installed in the handle. Place handle on mounting studs with the setscrews facing down. Push the door handle tightly against the door. Insert the short end of the hex key into the setscrews. Tighten the setscrews ¼ turn past snug.

Retain hex key with Installation Instructions.

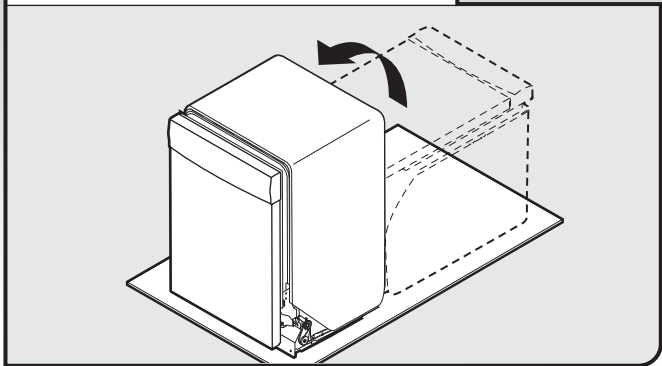
⚠ WARNING

Excessive Weight Hazard

Use two or more people to move and install dishwasher.

Failure to do so can result in back or other injury.

Stand dishwasher upright



Using 2 or more people, stand the dishwasher up.

NOTE: Do not install kick plate until instructed to do so.

Custom Panel Installation

(Custom Panel models only)

For custom panel installation, refer to the Custom Panel Installation Instruction Sheet (Part Number W10750117A). Complete custom panel installation before proceeding to the "Choose Attachment Option" section.

Choose Attachment Option

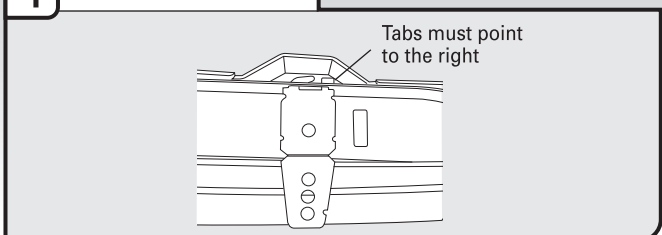
IMPORTANT: The dishwasher must be secured to the cabinet as one of the final steps. Prepare the dishwasher for this by attaching the two brackets found in the parts bag to the dishwasher.

For countertops that are wood, laminate, or another similar surface, use Option A.

For countertops that are marble, granite, or another hard surface, use Option B.

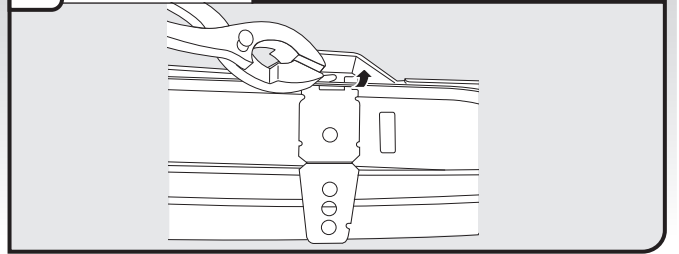
Option A, Countertop Attachment

1 Insert bracket



Remove the brackets from the package and insert into the open slots on the left-hand and right-hand top of the dishwasher collar, as shown.

2 Bend tab



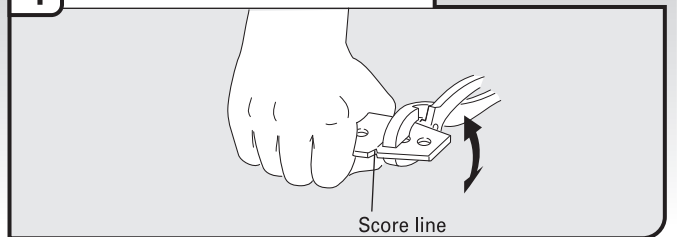
Using a pair of pliers, bend the tab down to secure the bracket in place. Repeat this step for the other side.

NOTE: Do not attach the dishwasher. This will be done later.

Option B, Dishwasher Side Attachment

NOTE: Remove the brackets from the parts package.

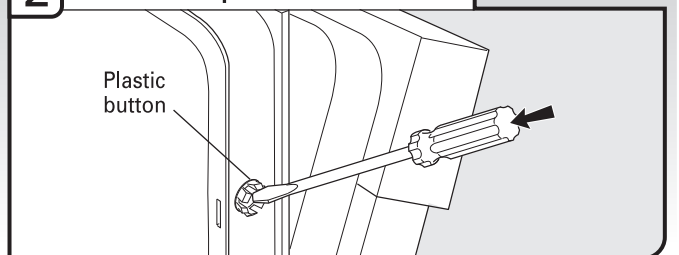
1 Break end of bracket



Break off the end of the bracket along the scored line.

With another person holding the rear of the dishwasher to keep it from tipping, open dishwasher door and place towel over pump assembly and spray arm of dishwasher. This will keep screws from falling into pump area when you are securing dishwasher to cabinet.

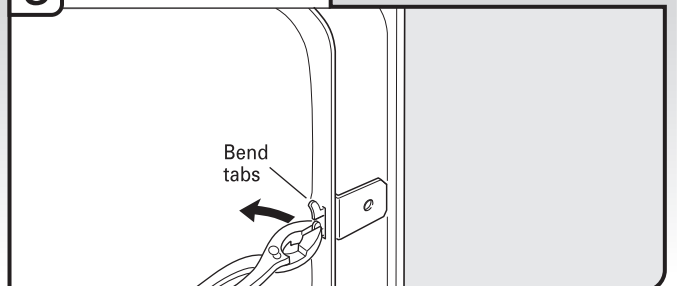
2 Remove plastic buttons



Push the plastic buttons out of the side of the tub.

NOTE: Save the buttons to cover the holes after dishwasher is installed.

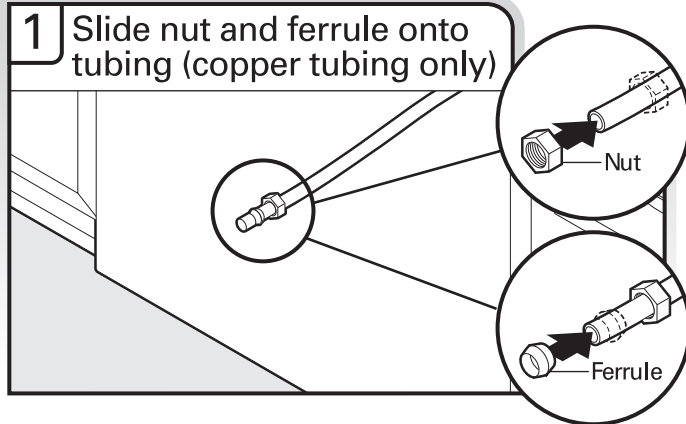
3 Install bracket



Push bracket into slot on the side of dishwasher, and bend tab in toward the side of the dishwasher so that it keeps the bracket in place. Repeat this step for the other side of the dishwasher.

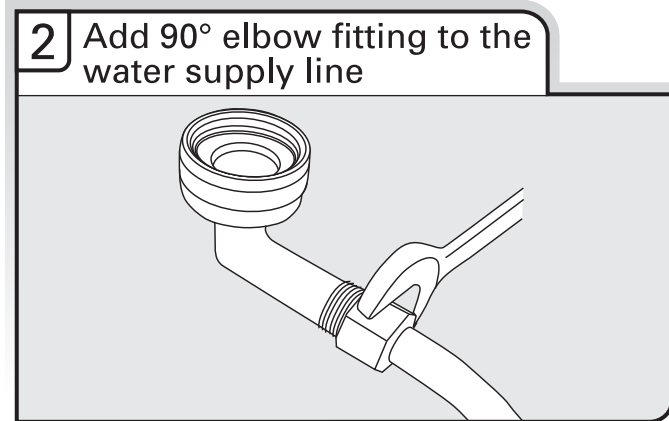
NOTE: Do not attach the dishwasher. This will be done later.

Prepare Water Supply Line



Copper tubing only: Slide nut, and then ferrule about 1" (2.5 cm) onto copper tubing.

NOTE: To avoid vibration during operation, route the water supply line so that it does not touch the dishwasher base, frame or motor.



Get $\frac{3}{8}$ " compression x $\frac{3}{4}$ " hose fitting with 90-degree elbow. See the "Tools and Parts" section at the front of the guide for part details and orders. Connect the $\frac{3}{8}$ " compression fitting of the 90° elbow to the water supply line prior to installing the unit into the cabinet opening. Attach such that the $\frac{3}{4}$ " connection is facing upward, as shown above.

Copper tubing only: Put the tubing into the 90° elbow fitting as far as it will go (the copper tubing bends and kinks easily). Slide the nut and ferrule forward, and then start the nut onto the elbow threads.

Flexible braided connection: Secure nut to elbow using $\frac{5}{8}$ " open ended wrench or adjustable wrench.

NOTE: Do not use Teflon[®] tape with compression fittings.

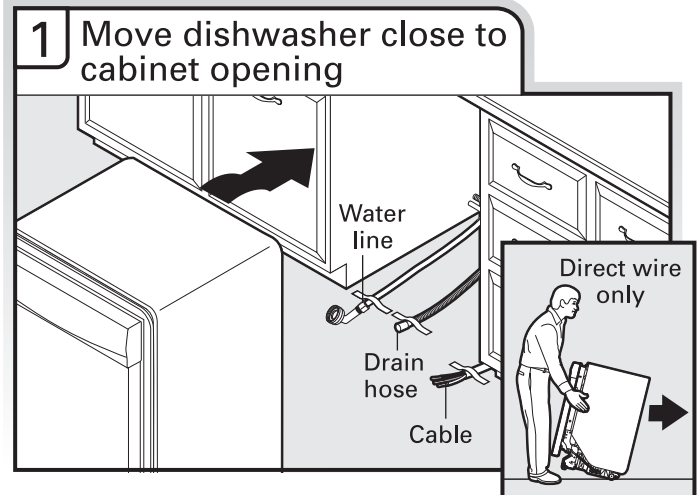
Move Dishwasher Close to Cabinet Opening

⚠ WARNING

Excessive Weight Hazard

Use two or more people to move and install dishwasher.

Failure to do so can result in back or other injury.

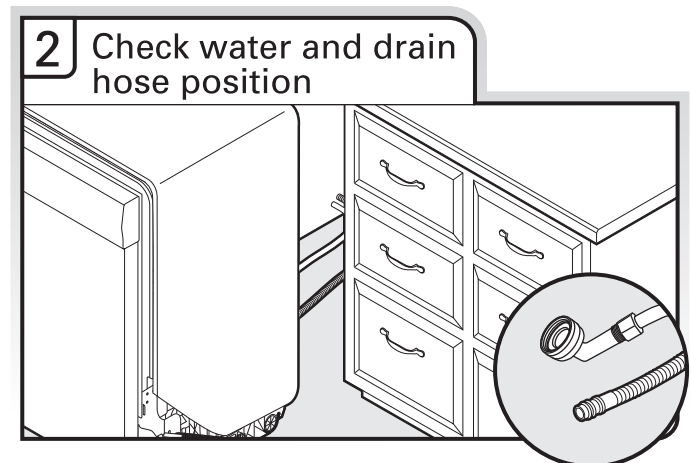


Use 2 or more people to move and install dishwasher.

IMPORTANT: Double-check correct placement of utilities. Grasp the sides of the dishwasher at the edges of the door panel. Tilt dishwasher backward on wheels and move dishwasher close to cabinet opening.

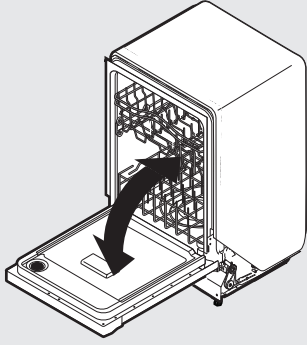
NOTE: Do not push on the front of the panel or on the console. Panel or console may dent.

Helpful Tip: Temporarily tape utilities to the floor in the locations shown to prohibit them from moving when dishwasher is moved into the cabinet opening.



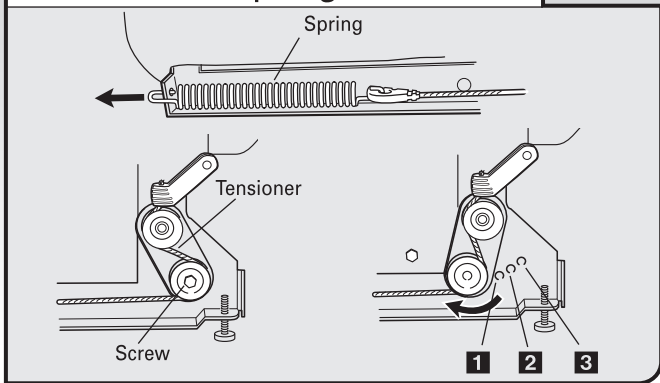
Check that water line is on the left-hand side of opening and drain hose is near the center of the cabinet opening.

3 Open and close door



With another person holding the dishwasher to keep it from tipping, open and close the door a few times. If the door closes or falls open under its own weight, the door tension will need to be adjusted.

4 Closes too quickly— Decrease spring tension



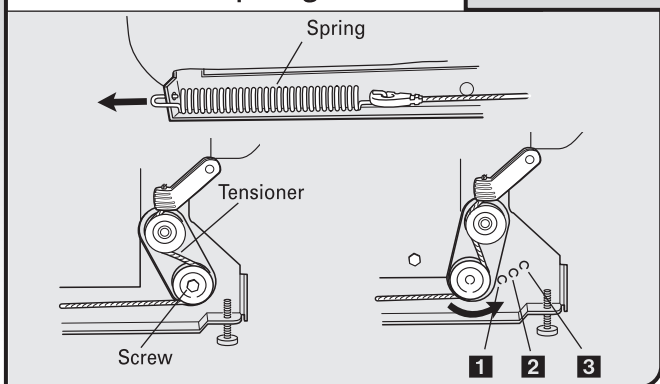
To adjust the door spring tension, unhook the spring from the rear leg of dishwasher.

Using a $\frac{5}{16}$ " nut driver or hex socket, remove the screw from the tensioner.

The screw can be put into one of 3 holes (1, 2, 3) in the front leg of dishwasher. If the door closes by itself, move the tensioner to a lower-numbered hole and replace screw. Reattach door spring to rear leg.

NOTE: Tensioners on both sides of dishwasher should be secured at same holes.

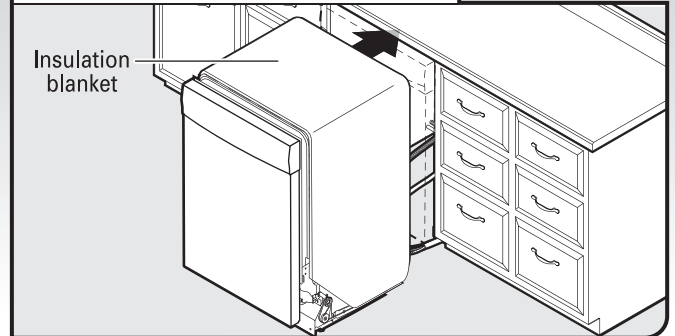
5 Door falls open— Increase spring tension



When door is unlatched, if door opens by itself, move the tensioner to a higher-numbered hole and replace the screw. Reattach door spring to rear leg.

NOTE: Tensioners on both sides of dishwasher should be secured at same holes.

6 Move dishwasher into cabinet opening

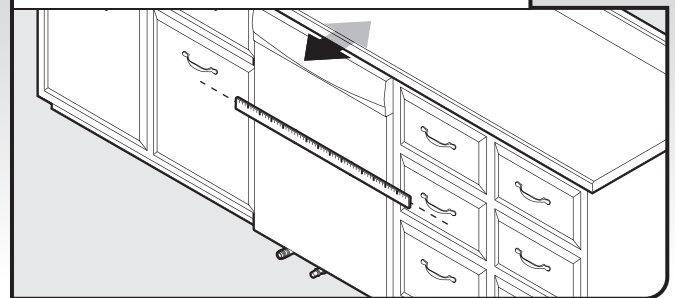


IMPORTANT: If wheels were removed, cover the floor when moving the dishwasher. Slowly move dishwasher completely into cabinet opening. Do not kink or pinch water line, drain hose, power cord or direct wire between dishwasher and cabinet. Remove cardboard from under dishwasher.

NOTES:

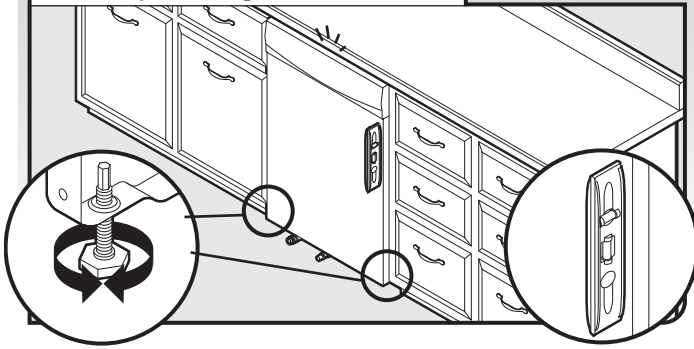
- It is all right if dishwasher fits tightly into cabinet opening. Do not remove insulation blanket – the blanket reduces the sound level.
- If using power cord, make sure to route end through hole in cutout before sliding dishwasher into cabinet opening.
- For models with water softener, make sure that the drain hose stays on the hanger that is on the right-hand side and is tucked in on the side of the unit.

7 Align front of dishwasher with front of cabinet doors



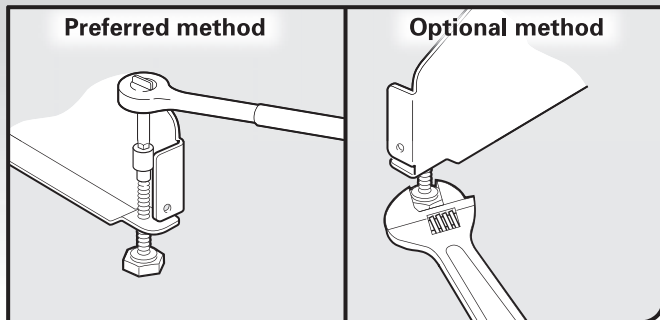
Align front of dishwasher door panel with front of cabinet doors. You may need to adjust alignment to be even with your cabinets.

8 Check for plumb and adjust legs if needed

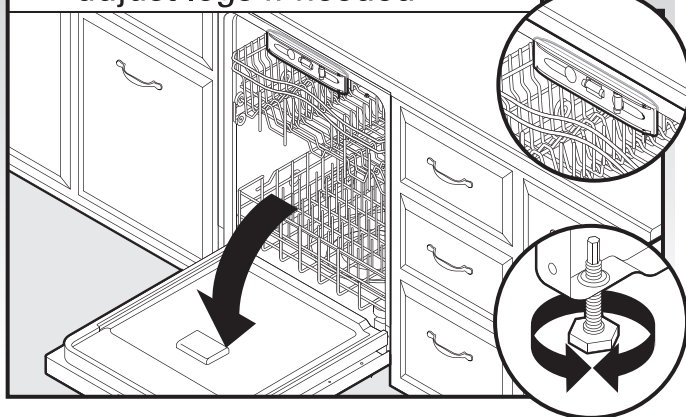


Check that leveling legs are firmly against the floor. Close and latch the door, and place level against the front panel. Check that dishwasher is centered from front to back in the opening. If needed, adjust leveling leg until dishwasher is plumb. Repeat for other side of dishwasher.

Helpful Tip: Push up on front of dishwasher to raise dishwasher off the ground to adjust front legs. With some installations, it may be easier to adjust the front leg using the $\frac{3}{16}$ " hex-head socket or adjustable wrench.



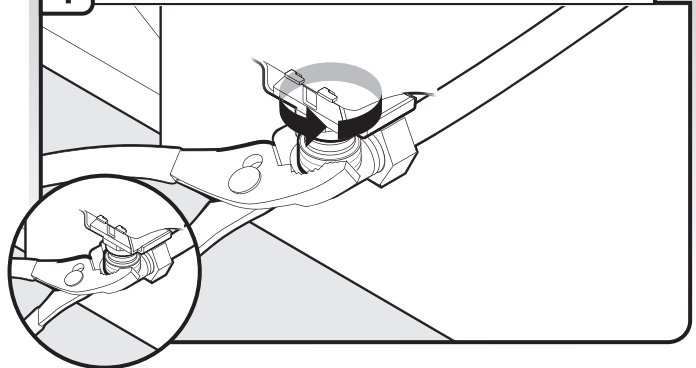
9 Check level side-to-side and adjust legs if needed



Place level against top front opening of tub. Check that dishwasher is level from side-to-side. If dishwasher is not level, adjust front legs up or down until dishwasher is level.

Connect to Water Supply

1 Tighten 90° elbow fitting to valve

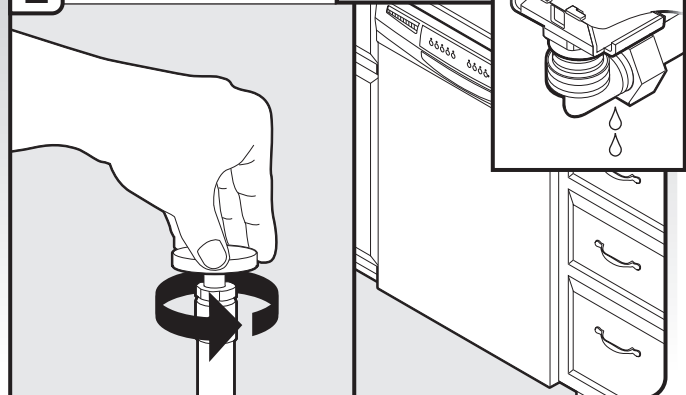


Be sure rubber washer is properly seated in fitting. Slide the $\frac{3}{4}$ " fitting of the 90° elbow up to the valve and hand tighten to avoid cross-threading. Hand tighten until the coupling is tight.

Using pliers, check the tightness of the coupling. An additional $\frac{1}{4}$ to $\frac{1}{2}$ turn may be required to seal the rubber gasket.

NOTE: Do not over tighten. Damage to the coupling can result.

2 Check for leaks

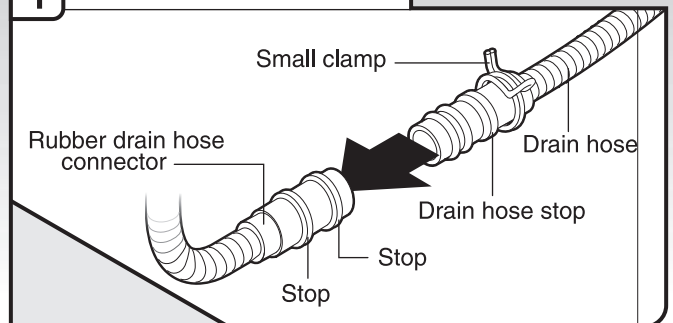


Place paper towel under 90° elbow fitting. Turn on water supply and check for leaks. If leak occurs, repeat previous step.

NOTE: Do not use Teflon® tape with compression fittings.

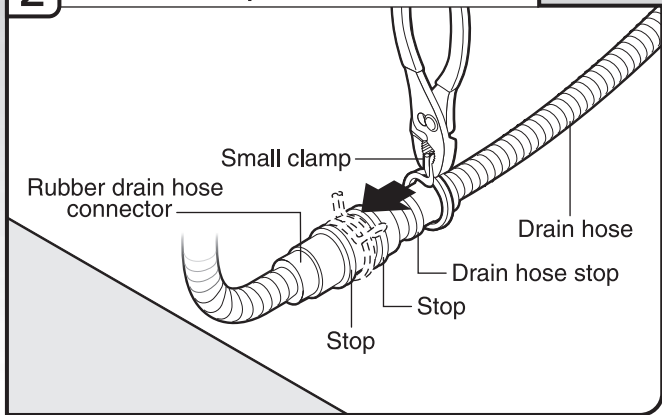
Connect to Drain

1 Connect drain hose



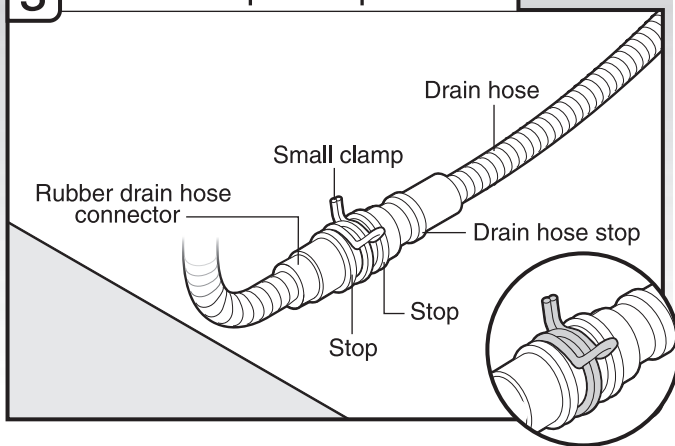
Place towel under drain hose to catch any water in drain hose. Place the small drain hose clamp onto the small end of the drain hose. Push the new drain hose into the rubber drain hose connector up to the drain hose stop.

2 Slide clamp onto connector



Using pliers, squeeze open the small drain hose clamp and slide onto connector between stops.

3 Hose clamp final position



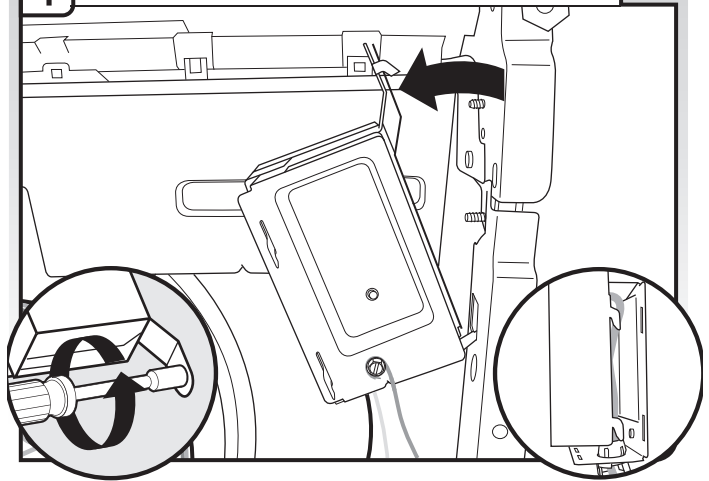
After hose is connected, remove towel.

Make Direct Wire Electrical Connection

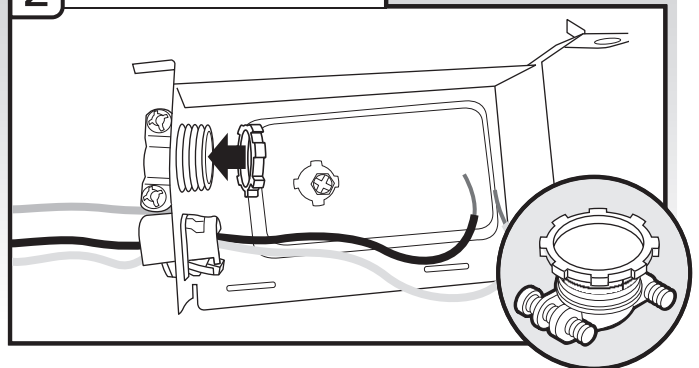
NOTE: If the power cord was connected earlier, proceed to “Secure Dishwasher in Cabinet Opening” section.

Option B, Direct Wire

1 Remove terminal box and cover

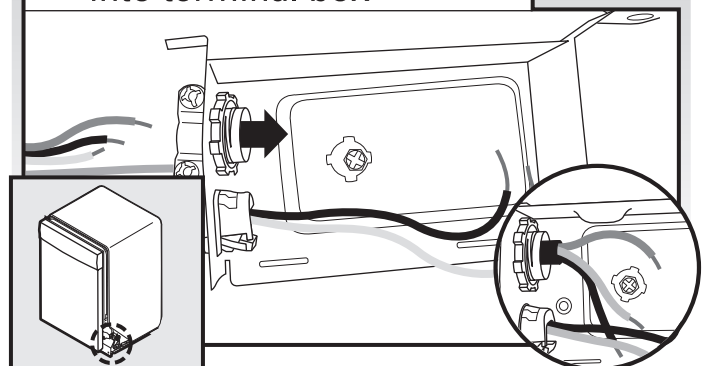


2 Install strain relief



Install a UL Listed/CSA Approved metallic strain relief. See the “Tools and Parts” section at the front of the guide for part details and orders.

3 Direct Wire—Route cable into terminal box



Route cable so that it does not touch dishwasher motor or lower part of dishwasher tub. Pull cable through UL Listed/CSA Approved strain relief in terminal box.

Note: A maximum of two field wiring supply conductors (12 AWG largest size) plus one grounding conductor are permitted in the terminal box.

⚠ WARNING



Electrical Shock Hazard

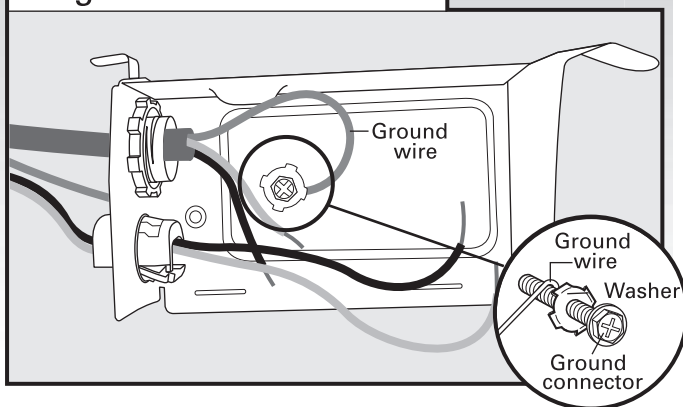
Electrically ground dishwasher.

Connect ground wire to green ground connector in terminal box.

Do not use an extension cord.

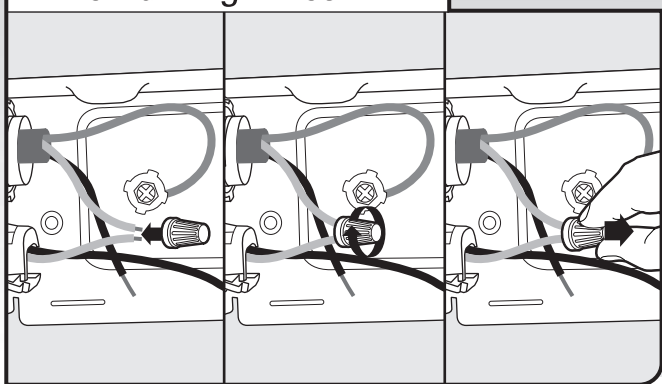
Failure to follow these instructions can result in death, fire, or electrical shock.

4 Direct Wire—Connect ground wire



Form bare ground wire into a U-shaped hook. Wrap ground wire hook clockwise around the ground connector screw on the raised floor inside the box and under the washer. Securely tighten ground connector.

5 Direct Wire—Connect remaining wires



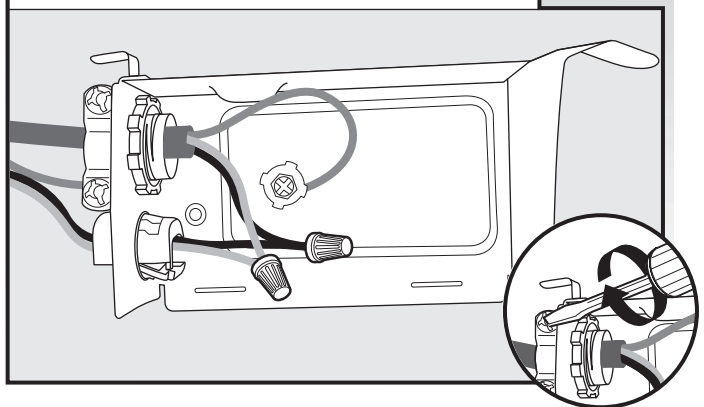
Select UL Listed/CSA Approved twist-on wire connectors of the proper size. See the “Tools and Parts” section at the front of the guide for part details. Connect wires, black to black and white to white, using the twist-on wire connectors.

NOTE: Do not pre-twist stranded wire. Twist on wire connector. Gently tug on wires to be sure both are secured.

Wiring configuration

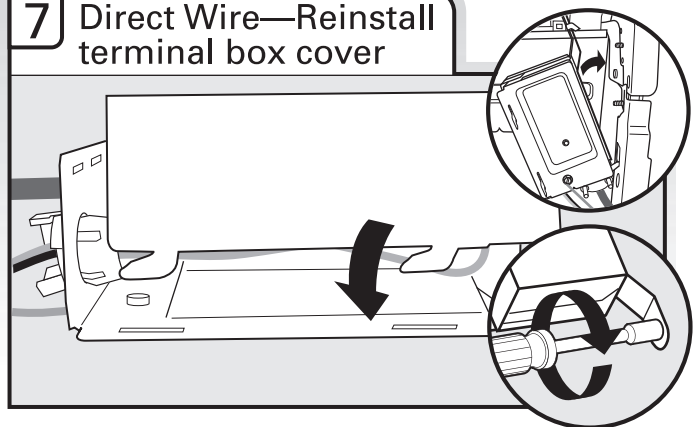
Power supply wire:	Terminal box wire:
white	white
black	black
ground wire	ground connector

6 Direct Wire—Secure cable in strain relief



Tighten strain relief screws to secure cable. Make sure screw heads are facing up when tightening conduit nut.

7 Direct Wire—Reinstall terminal box cover

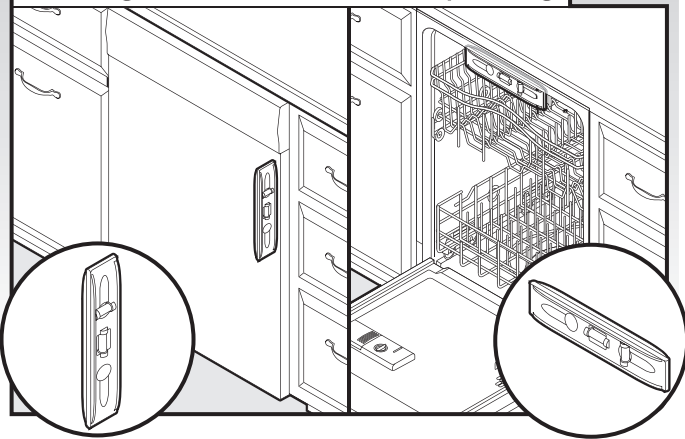


Place wires inside terminal box. Replace the cover by inserting the hooks of the terminal cover into the slots in the floor of the terminal box and sliding the cover tight against the back wall where wires come in. Make sure wires are tucked inside the box and not pinched by the cover. Then, put the terminal box back on the crossbar with the tab in place. Use a 1/4" nut driver and the previously removed screw to secure the terminal box to the crossbar.

Once the terminal box has been remounted on the dishwasher, there should be some excess length or slack in the green, black, and white wires coming from the dishwasher to the terminal box. Wrap these wires over the nearby components, or clip them back into the nearby clips that they were routed through prior to your removing the box, to help keep them off the floor.

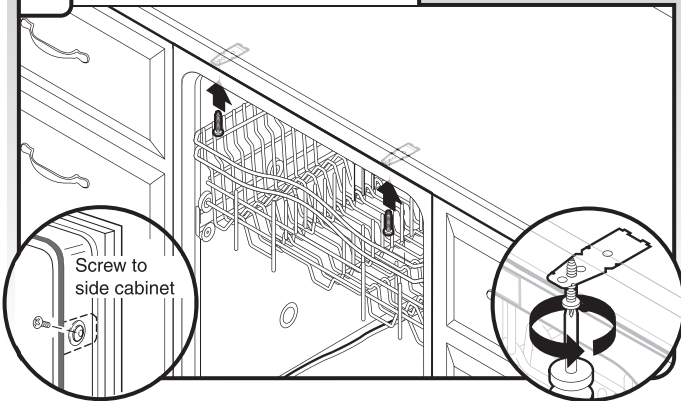
Secure Dishwasher in Cabinet Opening

1 Double-check dishwasher alignment in cabinet opening



Check that dishwasher is still level front-to-back and side-to-side in cabinet opening.

2 Secure dishwasher



Open dishwasher door to prepare for securing the dishwasher to the cabinet.

NOTES:

- The dishwasher must be secured to keep it from shifting when the door is opened.
- Do not drop screws into bottom of dishwasher.

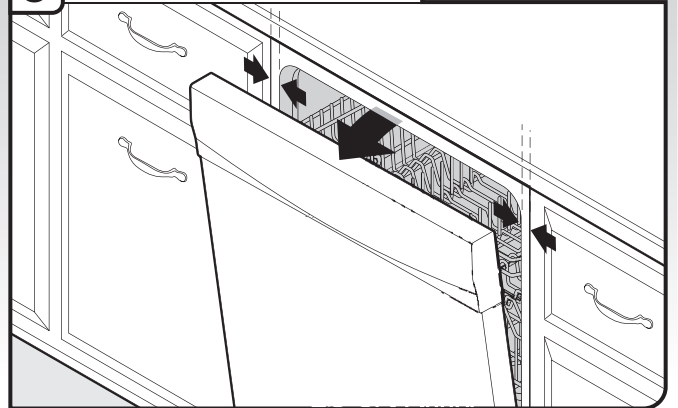
Option 1 - Secure Dishwasher To Countertop.

- Locate brackets installed on top of dishwasher (during Choose Attachment Method)
- Secure dishwasher to countertop with two, #10 x 1/2" Phillips-head screws (included).

Option 2 - Side Mount Dishwasher To Cabinet.

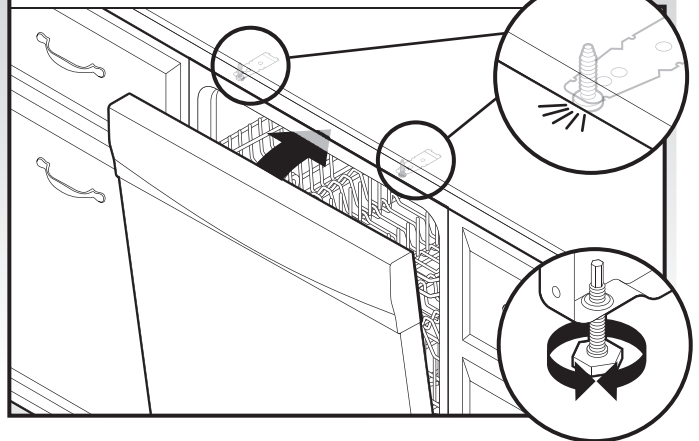
- Locate brackets installed on sides of dishwasher (during Choose Attachment Method).
- Drill pilot holes in cabinet to avoid splitting the wood.
- Secure dishwasher to cabinet with two, #10 x 1/2" Phillips-head screws (included).

3 Check inner spacing



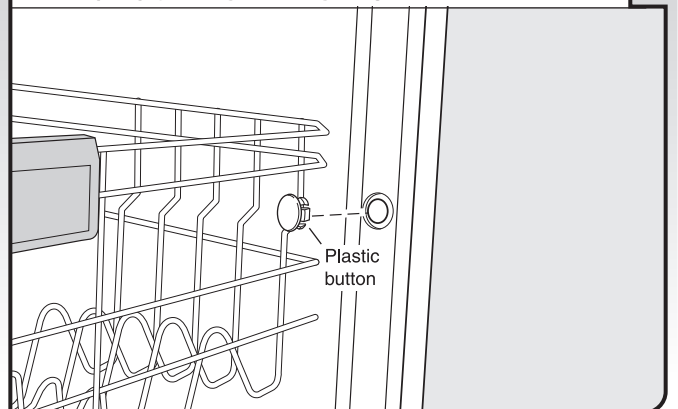
Open door and check that space between dishwasher cabinet opening and tub is equal on both sides. If spacing is not equal, loosen bracket screws and shift tub. Tighten bracket screws

4a Check door clearance – Option 1 attachment method



Check that top of door does not contact screws, brackets or countertop. If it does, adjust leveling legs.

4b Check door clearance – Option 2 attachment method



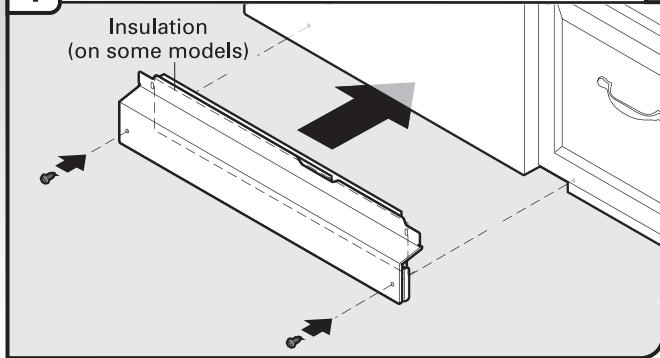
If securing with a side attachment, check that sides of door do not rub against the screw heads. If they do, dishwasher must be re-centered. When dishwasher is properly centered, replace plastic buttons.

Complete Installation

Check that power supply wire or cord does not touch dishwasher motor or lower part of dishwasher tub.

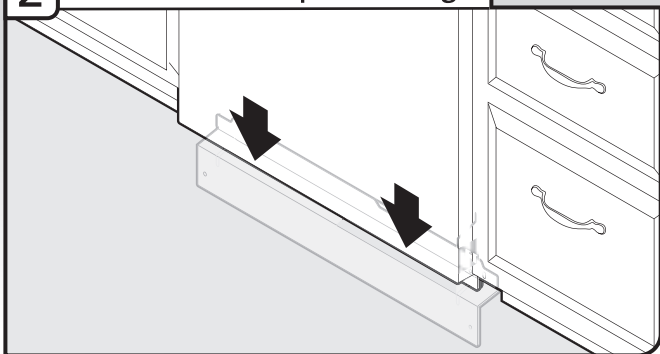
Option A, Install Access Panel - Plastic Panel

1 Reinstall access panel and fasteners



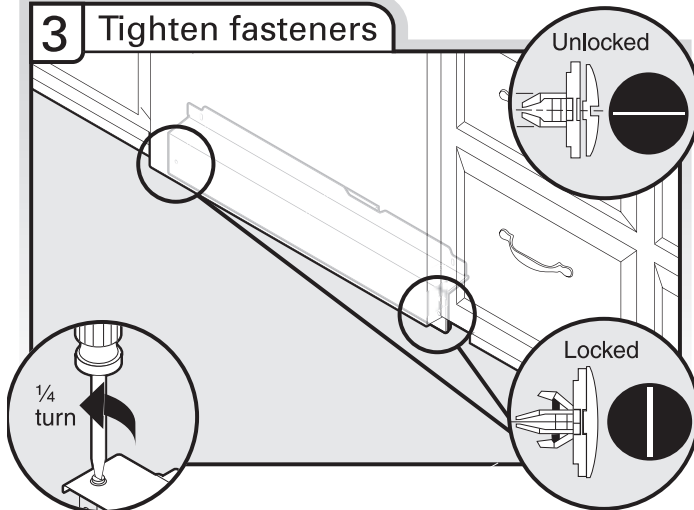
Place the plastic access panel against the dishwasher leg.

2 Check access panel edge



Check that the lower edge of the access panel touches the floor. Adjust if necessary.

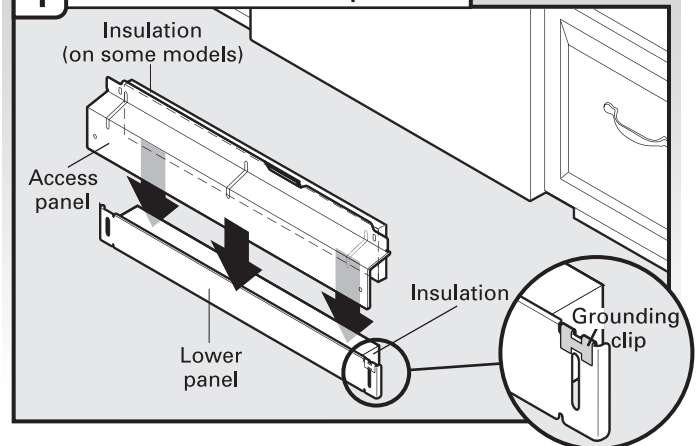
3 Tighten fasteners



Using a flat-blade screwdriver, turn the fasteners 1/4 turn clockwise to lock into place. The fasteners slot will be straight up and down when properly locked.

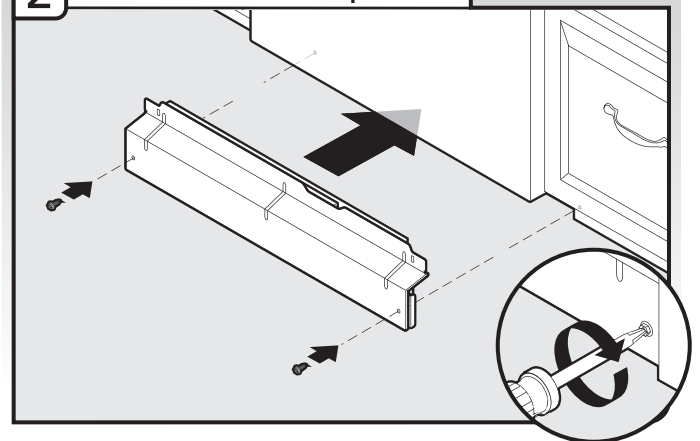
Option B, Install Access Panel - Metal Panel

1 Reinstall access panels



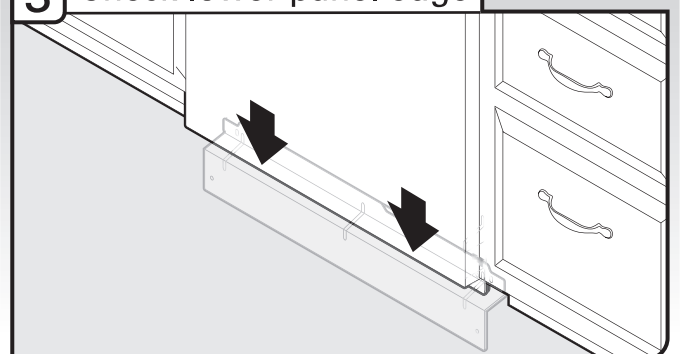
Check that grounding clip is attached to the lower panel. Position the lower panel behind the access panel. On some models there is insulation on the access panel that must fall behind the insulation on the lower panel.

2 Reinstall access panels

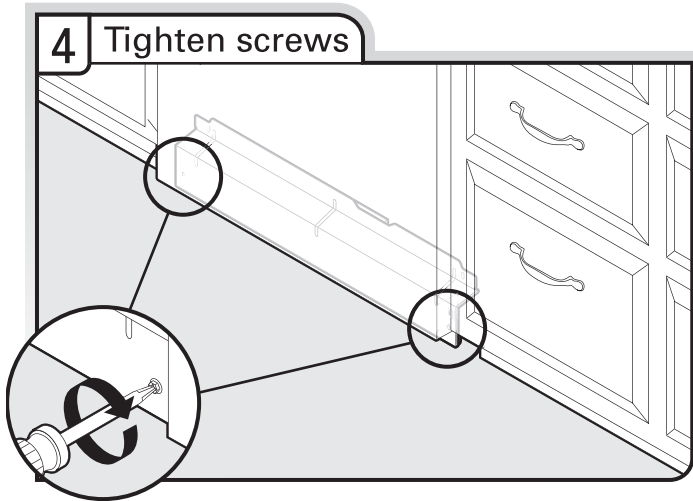


Hold the 2 panels together and place them against dishwasher leg. Using a Phillips screwdriver or 1/4" nut driver, reinstall the screws through the holes in the access panel, and the slots in the lower panel.

3 Check lower panel edge



Check that the lower edge of the lower panel contacts the floor. Adjust if necessary.



Tighten access panel screws.

⚠ WARNING



Electrical Shock Hazard

Plug into a grounded 3 prong outlet.

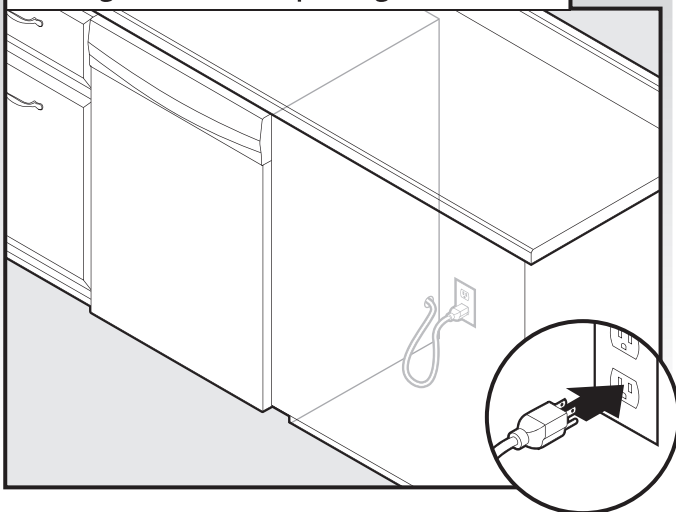
Do not remove ground prong.

Do not use an adapter.

Do not use an extension cord.

Failure to follow these instructions can result in death, fire, or electrical shock.

1 Power supply cord—Plug into a grounded 3 prong outlet



Plug into a grounded 3 prong outlet.

Reconnect Power

1 Reconnect power

Reconnect electrical power at the fuse box or circuit breaker box.

Check Operation

- Read the Dishwasher User Guide that came with your dishwasher.
- Check that all parts have been installed and no steps were skipped. Check that you have all tools used.
- Start dishwasher and allow it to complete the shortest wash cycle. After the first 2 minutes, unlatch door, wait 5 seconds, then open door. Check that there is water in the bottom of the dishwasher tub. Check that dishwasher is working properly.

If the dishwasher is not working properly, disconnect power or unplug dishwasher and See the "If Dishwasher Does Not Operate" section.

If Dishwasher Does Not Operate

First try the solutions suggested here to possibly avoid the cost of a service call.

- Has the circuit breaker tripped or the house fuse blown?
- Is the door closed tightly and latched?
- Has the cycle been set correctly to start the dishwasher?
- Is the water turned on?

If none of these possible solutions work, please see the User Guide for service contact information.

Additional Tips

Expect longer wash times. Your new dishwasher will average 2 to 3 hours per load, but use nearly 40% less energy than older models. Designed with a low wattage, low energy consumption motor, your dishwasher washes longer to ensure exceptional cleaning. Certain models are equipped with an optical water sensor so the first cycle will run longer to calibrate to optical sensor. Selecting certain options could increase cycle time past 3.5 hours.

Rinse aid is necessary for good drying results:

This dishwasher is designed to be used with rinse aid for good drying performance and controlling hard water deposit buildup. Energy efficient dishwashers use less water and energy, so they depend on the water sheeting action of rinse aid for good drying performance.

Start/Resume indicator light may flash:

When pressing Start/Resume, you must make sure the door is closed within 3 seconds. If you do not close the door within 3 seconds, the Start/Resume indicator light will flash until you press it again. (You must also do this when adding a dish during the middle of a cycle.)