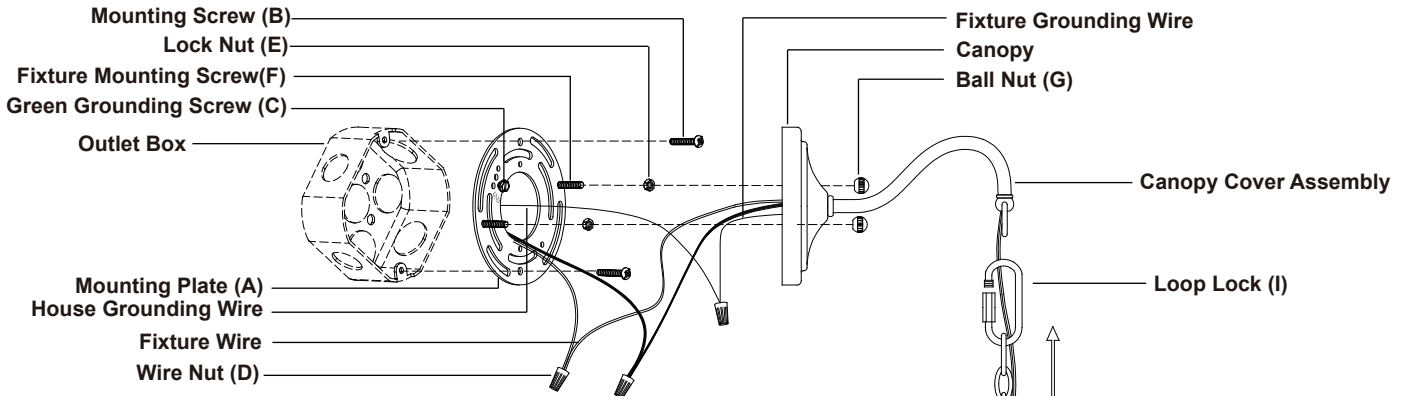


ASSEMBLY AND INSTALLATION INSTRUCTIONS

W0067

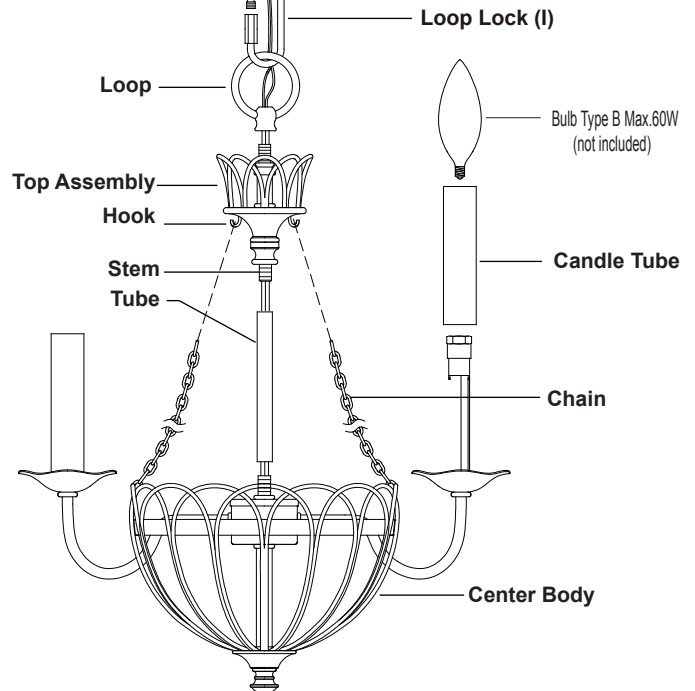
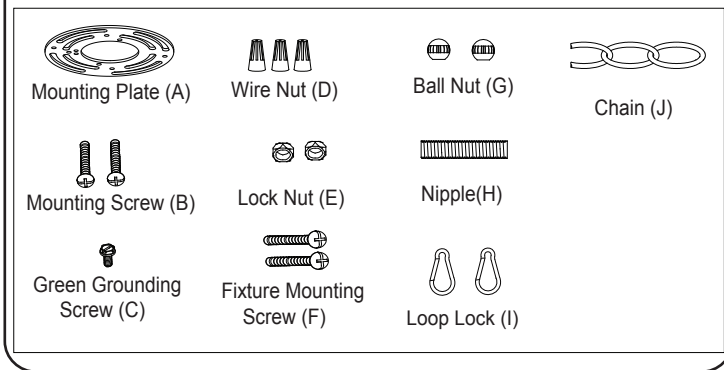
WARNING: BE SURE TO SHUT OFF POWER AT THE MAIN FUSE OR CIRCUIT BREAKER BOX BEFORE INSTALLING OR SERVICING THIS FIXTURE.

NOTE: 1. Before installing, consult local electrical codes for wiring and grounding requirements. 2. READ AND SAVE THESE INSTRUCTIONS.



Parts:

Parts Number (4675MM)

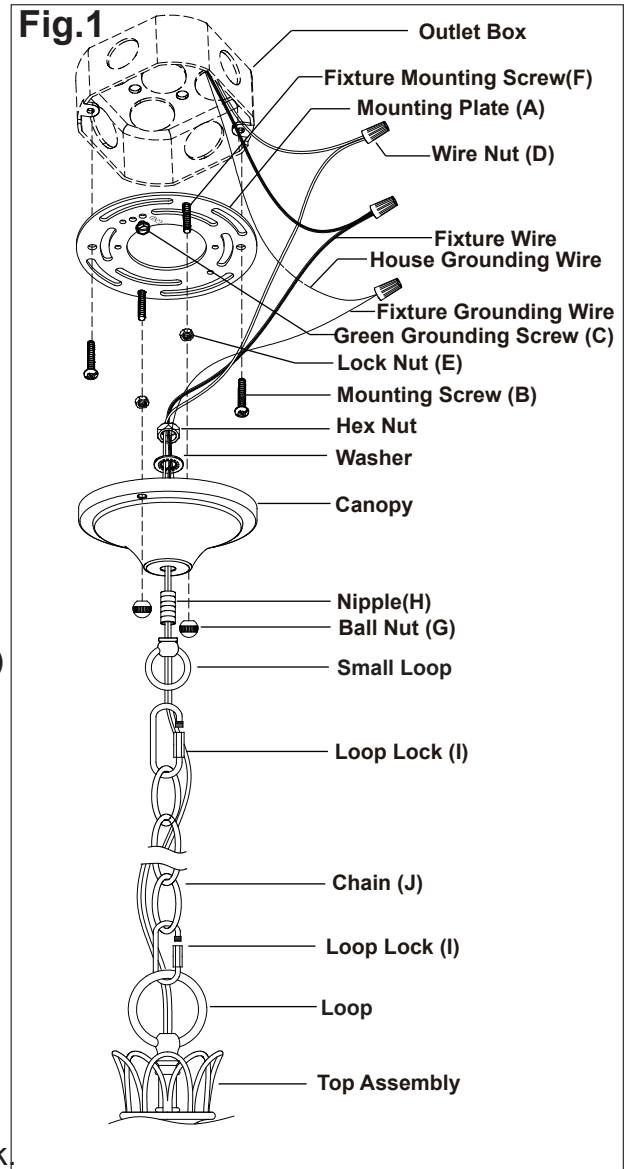
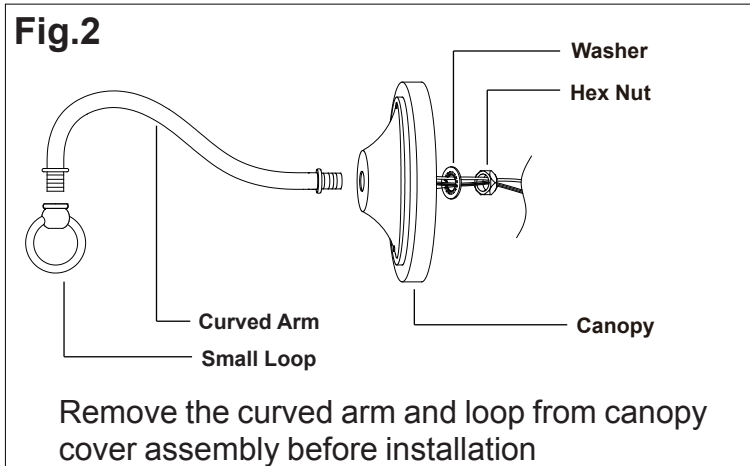


For Wall Light:

- Thread two fixture mounting screws through the mounting plate, and secure them with two lock nuts. Adjust the length of the fixture mounting screws if necessary.
Note: Make sure that the fixture mounting screws are lined up horizontally, to ensure that the fixture will be level.
- Attach the mounting plate to the outlet box by using two mounting screws.
- Thread the tube onto the stem on top assembly.
- Screw top assembly into center body, pull any excess cord through top assembly. Hook one end of the chains onto the top assembly.
Note: Adjust the top assembly, make sure that the chain and hook are lined up perpendicular.
- Secure the loop to the stem of the top assembly. Attach the candle tube into the socket on the center body.
- Hang the fixture to the canopy cover assembly. Take out the chain and two loop locks from the hardware package. Choose the length of the chain you need, then connect one end of the chain with the loop by using a loop lock. Hook one end of the chain onto one end of the canopy cover assembly by using the other loop lock.

7. Cut the redundant wires, leaving only 8 " length of wires from the bottom of the canopy. Split fixture wire into two strands. Then strip off 3/4 " of outer plastic insulation.
8. Pull out the outlet wires and the house grounding wire from the outlet box. Make wire connections by using the wire nuts:
 - The smooth wire (marked) from the fixture to the black wire from the power source.
 - The ridged wire (unmarked) from the fixture to the white wire from the power source.
 - Attach the fixture grounding wire to the mounting strap with the green grounding screw. Then connect it to the house grounding wire with a wire nut.
 Carefully put the wires back into the outlet box.
9. Attach the canopy cover assembly to the mounting plate by inserting the fixture mounting screws, then secure it with two ball nuts.
10. Install bulbs(not included). See relamping label at socket area or packaging for maximum allowed wattage.
11. Turn on the power at the main fuse or circuit breaker box.

For Chandelier: (See Fig.1 & Fig. 2)



1. Take out the canopy cover assembly. Unsecure the hex nut and washer, pulling out the wires from the canopy cover assembly and removing the curved arm and small loop from the canopy cover assembly. (See Fig 2)
2. Weave the fixture wires through the tube, top assembly, loop, chain (every 4th to 5th loop), small loop, canopy, nipple, washer and hex nut. Attach the loop to canopy, secure it with nipple, washer and hex nut.
3. Follow step 3~5 as For Wall Light.
4. Thread two fixture mounting screws through the mounting plate, and secure them with two lock nuts. Adjust the length of the fixture mounting screws if necessary.
5. Attach the mounting plate to the outlet box by using two mounting screws.
6. Choose the length of the chain you need, Then connect one end of the chain with the loop by using the loop lock.
7. Connect the other end of the chain with the small loop by using the loop lock.
8. Cut the redundant wires if necessary. Pull out the outlet wires and the house grounding wire from the outlet box. Make wire connections by using the wire nuts:

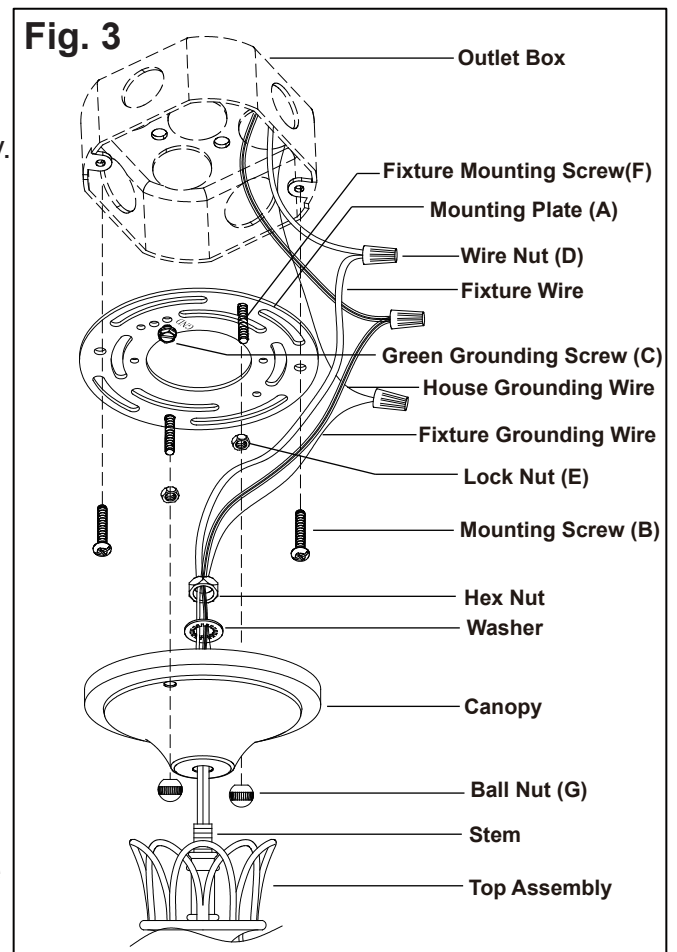
- The smooth wire (marked) from the fixture to the black wire from the power source.
 - The ridged wire (unmarked) from the fixture to the white wire from the power source.
 - Attach the fixture grounding wire to the mounting strap with the green grounding screw. Then connect it to the house grounding wire with a wire nut.
- Carefully put the wires back into the outlet box.

9. Attach the canopy to the mounting plate by inserting the fixture mounting screws, then secure it with two ball nuts.
10. Install bulbs(not included). See relamping label at socket area or packaging for maximum allowed wattage.
11. Turn on the power at the main fuse or circuit breaker box.

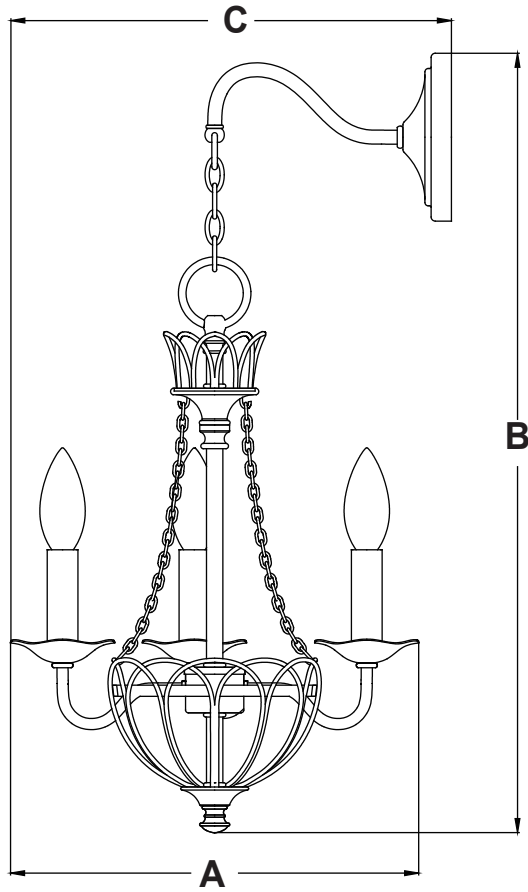
For Semi-Flush: (See Fig.3)

1. Take out the canopy cover assembly. Unsecure the hex nut and washer, pulling out the wires from the canopy cover assembly and removing the curved arm and small loop from the canopy cover assembly. (See Fig 2)
2. Follow step 3~4 as For Wall Light.
3. Attach the candle tube into the socket on the center body.
4. Slip the canopy through the wires and stem, secure it with the washer and hex nut. (See Fig 4)
5. Thread two fixture mounting screws through the mounting plate, and secure them with two lock nuts. Adjust the length of the fixture mounting screws if necessary.
6. Attach the mounting plate to the outlet box by using two mounting screws.
7. Cut the redundant wires if necessary. Pull out the outlet wires and the house grounding wire from the outlet box. Make wire connections by using the wire nuts:
 - The smooth wire (marked) from the fixture to the black wire from the power source.
 - The ridged wire (unmarked) from the fixture to the white wire from the power source.
 - Attach the fixture grounding wire to the mounting strap with the green grounding screw. Then connect it to the house grounding wire with a wire nut.

Carefully put the wires back into the outlet box.



8. Attach the canopy to the mounting plate by inserting the fixture mounting screws, then secure it with two ball nuts.
9. Install bulbs(not included). See relamping label at socket area or packaging for maximum allowed wattage.
10. Turn on the power at the main fuse or circuit breaker box.



A: 12"

B: 21-1/2"

C: 13"