

# Installation Guide

## Vibracoustic Bath

Français, page "Français-1"  
Español, página "Español-1"

THE BOLD LOOK  
OF **KOHLER**®

# IMPORTANT INSTRUCTIONS



**WARNING:** When using electrical products, basic precautions should always be followed, including the following:



**WARNING: Risk of electric shock.** Connect only to a circuit protected by a Ground-Fault Circuit-Interrupter (GFCI)\*.



**WARNING: Risk of electric shock.** A qualified electrician should route all electrical wiring.



**WARNING: Risk of electric shock.** Disconnect power before servicing.



**WARNING: Risk of electric shock.** Do not operate electrical-powered auxiliary audio devices near water.



**WARNING: Risk of injury or property damage.** Please read all instructions thoroughly before beginning installation.

**NOTICE: Follow all plumbing, electrical, and building codes.** In Canada, install this unit in accordance with the Canadian Electrical Code, Part 1.

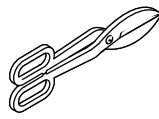
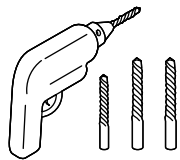
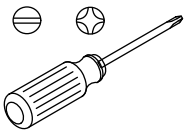
**NOTICE: Grounding is required.** The unit should be installed and grounded by a qualified service representative.

**NOTICE:** If the supply cord is damaged, it must be replaced by the manufacturer, its service agent, or similarly qualified agent in order to avoid a hazard.

**NOTICE:** Provide a minimum 6" (152 mm) of air space around the control amplifier to ensure adequate air flow.

\*Outside North America, this device may be known as a Residual Current Device (RCD).

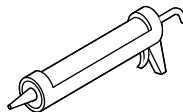
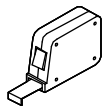
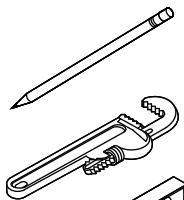
## Tools and Materials



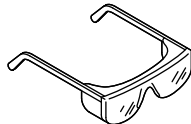
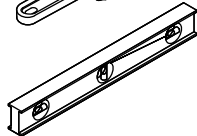
Tin Snips

### Plus:

- Conventional woodworking tools and materials
- 2x4s
- Drop cloth
- Mortar cement (Optional)
- Construction adhesive (Optional)
- Plastic film (Optional)
- 1/8" (3 mm) Spacers



100% Silicone Sealant



## Before You Begin

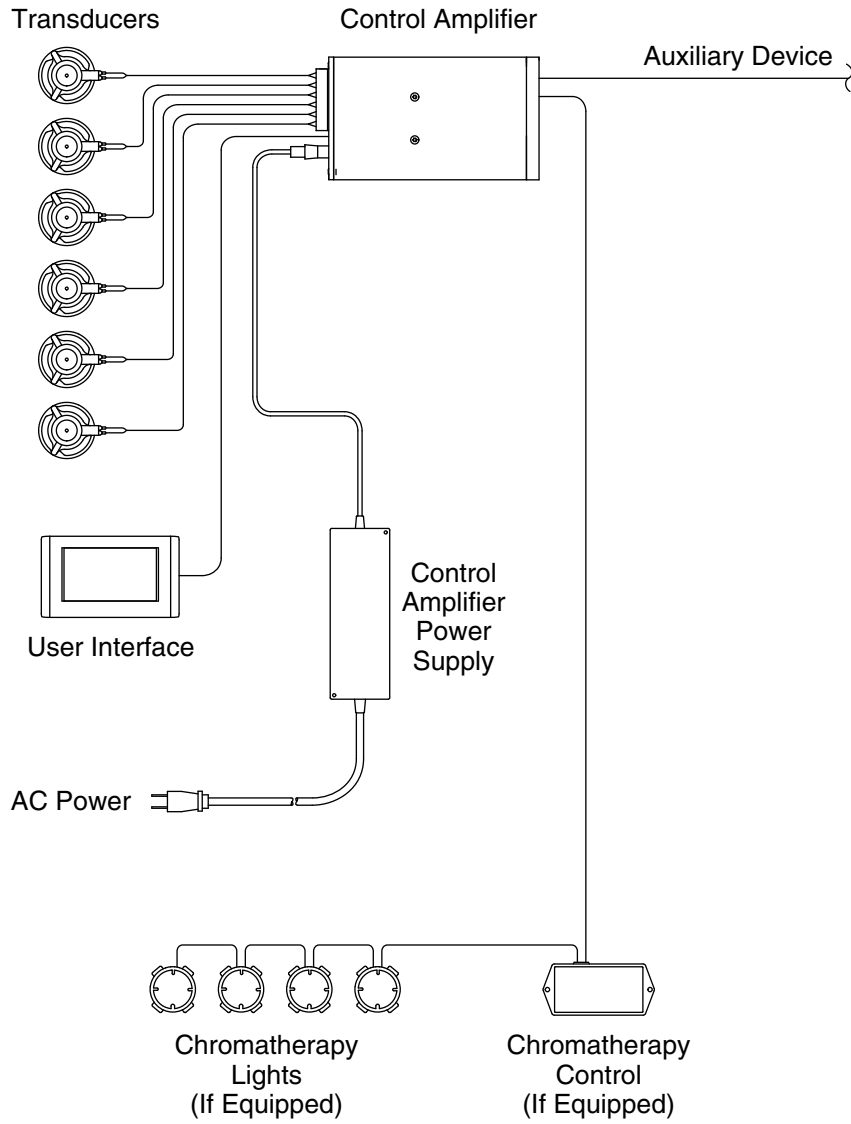
**NOTICE:** Adequate floor support must be provided. Note the **model number** on the back of the bath, then visit the product page at [kohler.com](http://kohler.com) for additional information.

**NOTICE:** Do not support the load weight of the bath by the rim. Plan to shim under the bath as needed when leveling the bath.

## Before You Begin (cont.)

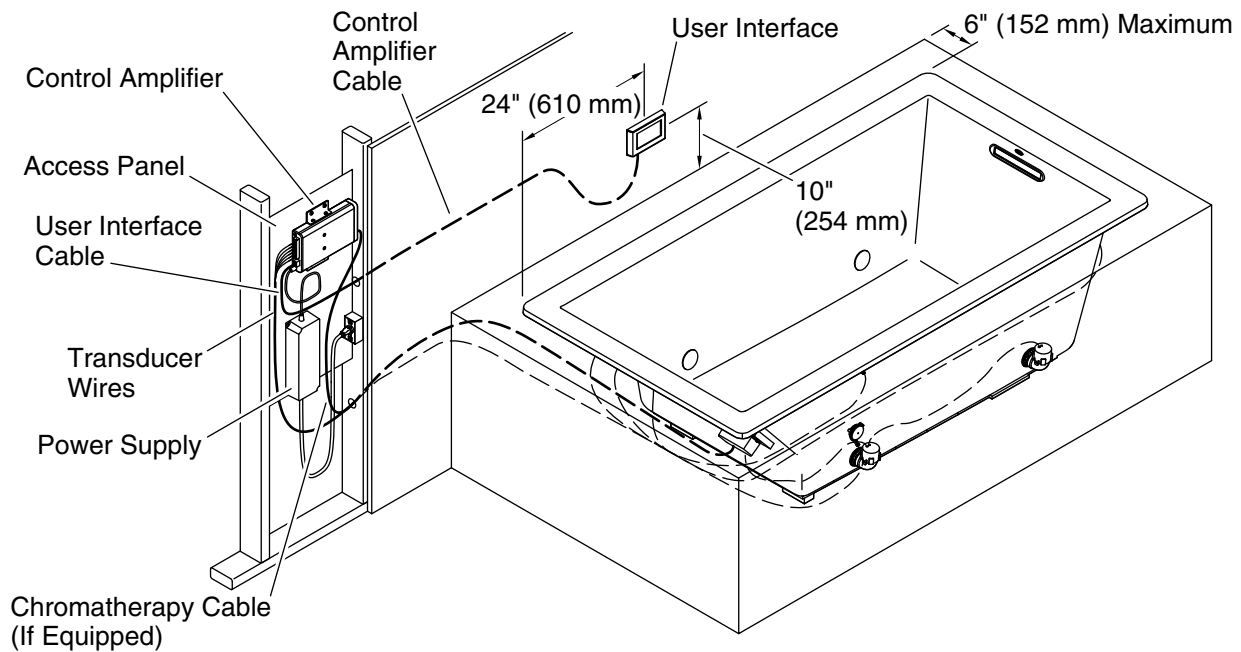
**NOTICE:** Verify adequate support if installing a bath- or deck-mount faucet. Large faucets that may be inadvertently used as a means of support are not safe for this installation.

- Observe all state and local plumbing, building, and electrical codes.
- Read these instructions and determine the locations for all required components before beginning installation.
- This bath is designed for drop-in, alcove, under-mount, or island installation.
- Determine the location of the control amplifier if it will be installed remotely. The control amplifier includes a power supply with a 36" (914 mm) cord and a 25' (7.6 m) cable.
- A qualified electrician should install a 120 V, 15 A GFCI or RCD electrical outlet within the stud framing, and within 24" (610 mm) of the control amplifier. The user interface, transducers, and (if equipped) chromatherapy are powered through connections with the control amplifier.
- Use conduit to route electrical power wires from the circuit breaker.
- Carefully plan moving the bath into the installation area. This bath will not easily fit through doorways.
- Install this bath on a level subfloor. Shims may be needed if the subfloor is uneven.
- Provide properly dimensioned framing.
- The bath bowl area requires no additional support when the subfloor is level and square with the stud framing.
- Plan for adequate mounting and connection space for the faucet.
- This bath conforms to CSA B45.5/IAPMO Z124. All dimensions are nominal.



## Components

**Vibracoustic and Chromatherapy (if equipped)**



## Installation Sequence

**IMPORTANT!** Several included components will be powered by the control amplifier via 25' (7.6 m) cables. Plan the control amplifier location so the cables will reach without being under tension.

For best results, follow the installation sequence below. Detailed instructions are found on the following pages of this guide.

The illustration above shows a typical installation with the preferred user interface and control amplifier locations. Depending upon your bath the installation will be similar.

### Recommended Installation Sequence

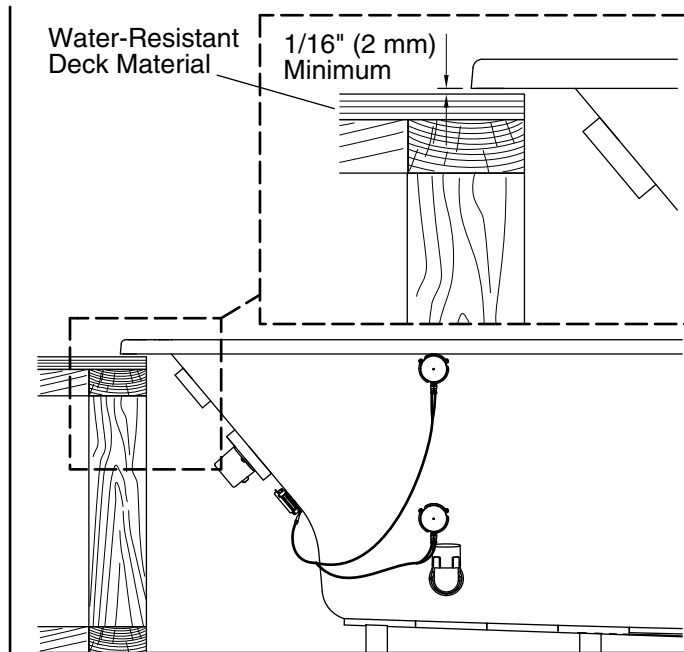
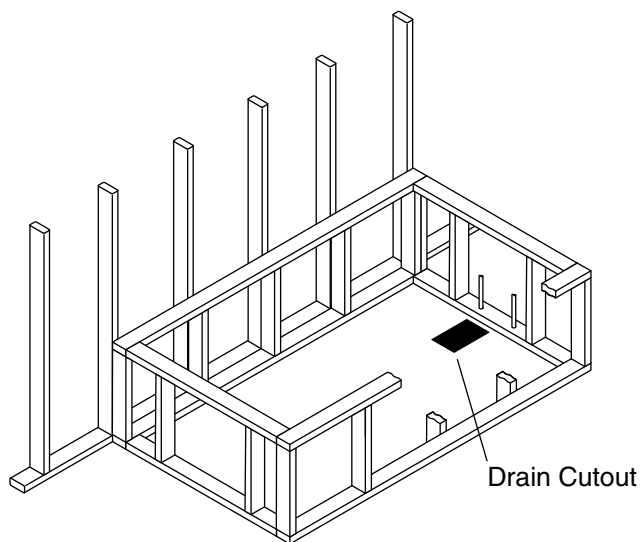
- Determine the locations for the bath components. Refer to the illustration for preferred locations.
- Determine the location for the access panel required for servicing the control amplifier.

**NOTICE:** Use wood studs to construct the bath frame. Metal framing may adversely affect the vibracoustic quality of the product.

- Construct the framing for your bath.
- Install the rough deck material.
- Route the plumbing supply and drain lines for the bath.
- Install the bath and drain.
- Route the transducer wires to the control amplifier location.
- Install an electrical outlet within 24" (610 mm) of the area chosen for the control amplifier.
- If equipped, route the chromotherapy cable to the area chosen for the control amplifier.
- Route the user interface cable from the control amplifier area to the user interface location.
- Install the control amplifier.
- Connect the transducer, user interface, optional auxiliary device (if used), and chromotherapy cable (if equipped) to the control amplifier.
- Finish the walls and deck, and install the required access panel for the control amplifier.

### **Installation Sequence (cont.)**

- Connect the user interface cable to the user interface, and install the user interface.
- Plug the control amplifier into the electrical outlet.
- Test the functionality of all bath components. Refer to the "Homeowners Guide" for operation.



## 1. Prepare the Site

**NOTICE:** Measure your product for site preparation. Note the **model number** on the back side of the bath, then visit the product page at [kohler.com](http://kohler.com) for additional information.

### Flooring

- Provide adequate support for the bath.
- Verify that the subfloor is level.
- Install additional support and adjust for level as needed.

### Framing

**IMPORTANT!** Do not support the bath by the rim. The bath must be supported by the support blocks only. Plan to shim under the bath as needed when leveling the bath.

**IMPORTANT!** The cables that will connect the control amplifier to the bath components are each 25' (7.6 m) in length. Carefully plan out and position the control amplifier so these routed cables will easily reach without being under tension.

**NOTICE:** This bath is designed for drop-in, alcove, under-mount, or island installation.

**NOTICE:** Use wood framing. Wood framing will provide the best vibracoustic quality.

**NOTICE:** If installing the control amplifier between studs, the stud spacing should be 16" (406 mm).

**NOTE:** The framing illustrated is less the finished wall and deck materials. Allow for the finished wall and deck material thicknesses when constructing the framing.

- Construct the framing, taking into account the thickness of the finished wall and deck materials.
- For drop-in installations,** provide a 1/16" (2 mm) to 1/8" (3 mm) gap between the framing and the underside of the bath rim to ensure that the bath is not supported by the rim.
- For under-mount installations,** provide a 1/16" (2 mm) to 1/8" (3 mm) gap between the framing and the top surface of the bath rim to ensure that the weight of the framing does not rest on the bath rim.

### **Prepare the Site (cont.)**

- Construct stud framing or a pocket for the control amplifier.
- Provide a means to route the user interface cable through the wall to the control amplifier.

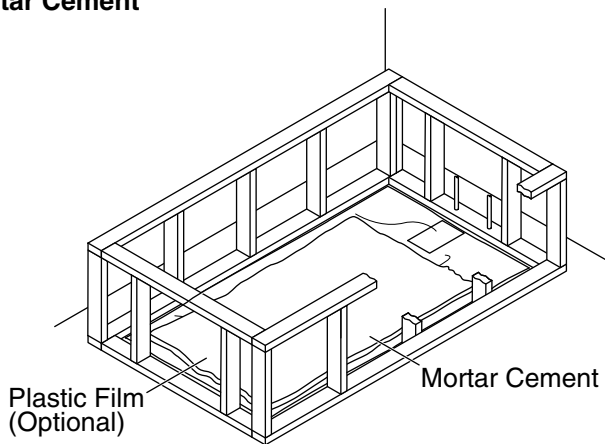
### **Plumbing**

**NOTE: For through-the-floor drain installation:** cut a hole in the subfloor to accommodate the drain connections.

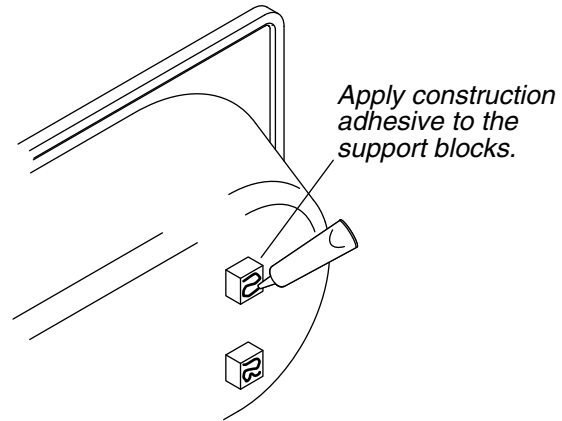
- Install the rough drain and water supply plumbing.
- Cap the supplies and check for leaks.
- Attach the drain to the bath according to the instructions packed with the drain. **Do not connect the trapway at this time.**



### Mortar Cement



### Construction Adhesive



## 2. Install the Bath

**IMPORTANT!** Use maximum 1/8" (3 mm) thick spacers under the bath rim to ensure that the rim does not contact the deck.

**NOTICE:** Ensure that the subfloor is level before proceeding. Use shims as needed.

**NOTICE:** Provide a means to route the user interface cable through the wall to the control amplifier.

- Secure the bath using one of the following two methods.

### Mortar Cement Bed

**NOTICE:** Do not use gypsum cement or drywall compound, as these materials will not provide a durable bond.

**NOTE:** Lay plastic film on wooden subfloors if desired to prevent water absorption.

- Spread a 2" (51 mm) thick layer of mortar cement on the subfloor.
- With help, carefully move the bath into place. Use caution to avoid damaging any of the components mounted to the bath.
- Fit maximum 1/8" (3 mm) spacers under the bath rim so the rim does not contact the deck.
- Verify that the bath is level. Reposition or shim as needed.
- Position a clean drop cloth on the bottom of the bath to protect the bath surface.
- Apply weight to the bottom of the bath until the mortar sets.

### Construction Adhesive

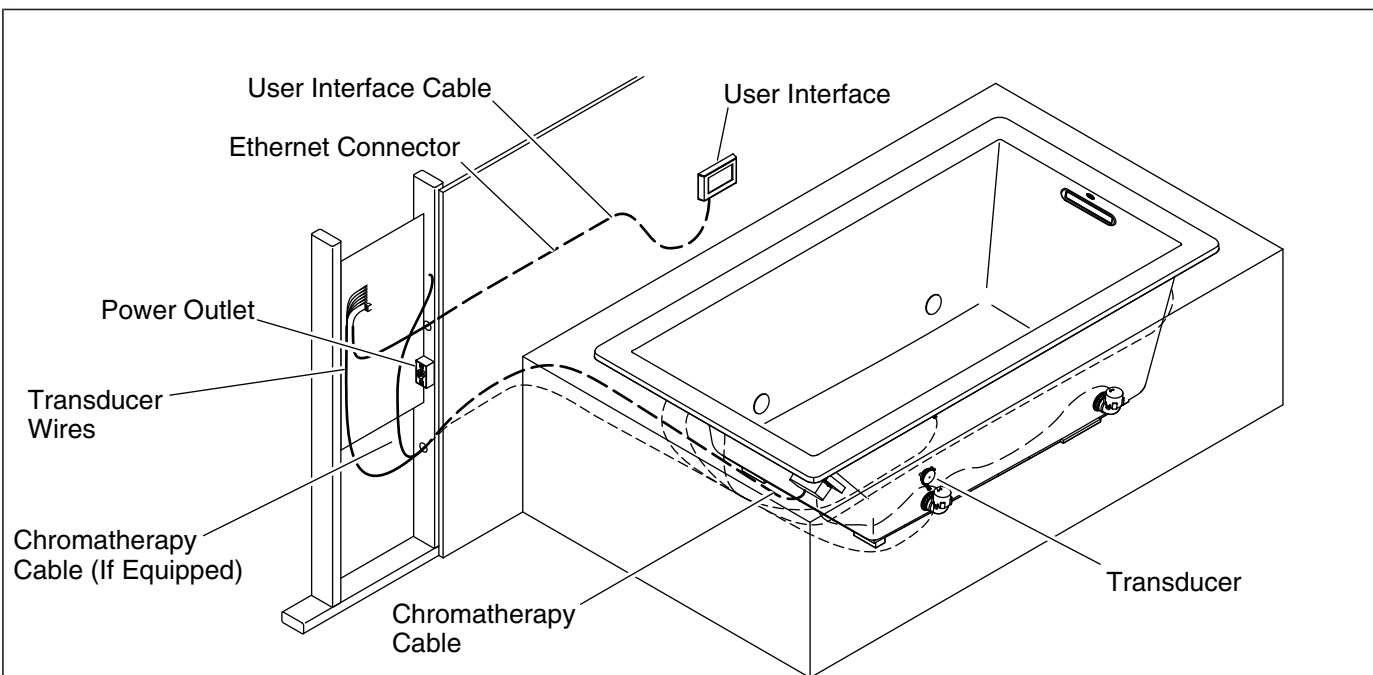
- Apply a generous amount of high-quality construction adhesive to the bottom of the support blocks.
- With help, carefully lower the bath into place. Take precaution to avoid damaging the components mounted to the bath.
- Fit maximum 1/8" (3 mm) spacers under the bath rim so the rim does not contact the deck.
- Verify that the bath is level and resting on all support blocks. Reposition or shim as needed.
- Position a clean drop cloth on the bottom of the bath to protect the bath surface.
- Apply weight to the bottom of the bath until the adhesive sets.

### 3. Install the Plumbing



**CAUTION: Risk of property damage.** Ensure a watertight seal on all bath drain connections to prevent water leakage.

- Connect the drain to the trapway.
- Install the faucet valve according to the faucet manufacturer's instructions. **Do not install the faucet trim at this time.**
- Open the hot and cold water supplies. Check all connections for leaks.
- Fill the bath to the overflow and check the drain connections for leaks.

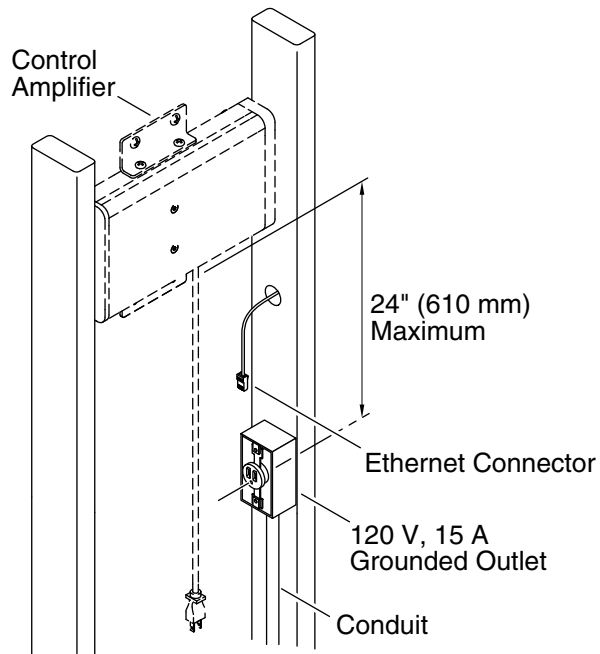


#### 4. Route the Cables

**IMPORTANT!** Several of the included bath components will be powered by the control amplifier via 25' (7.6 m) cables. Plan the location of the control amplifier so the cables will reach without being under tension.

- Carefully cut the cable tie securing the coiled transducer wires to the back of the bath.
- Route the transducer wires through the framing to the control amplifier location, drilling 1" (52 mm) holes where needed.
- If equipped, route the chromotherapy cable from the bath to the planned amplifier location. Follow the same route as the transducer wires.
- Route the user interface cable through the framing from the planned user interface location to the control amplifier location. Make sure that the larger Ethernet-style connector is at the control amplifier end. Include a drip loop.

**NOTE:** If used, route an auxiliary-in cable (not included) to the control amplifier location.



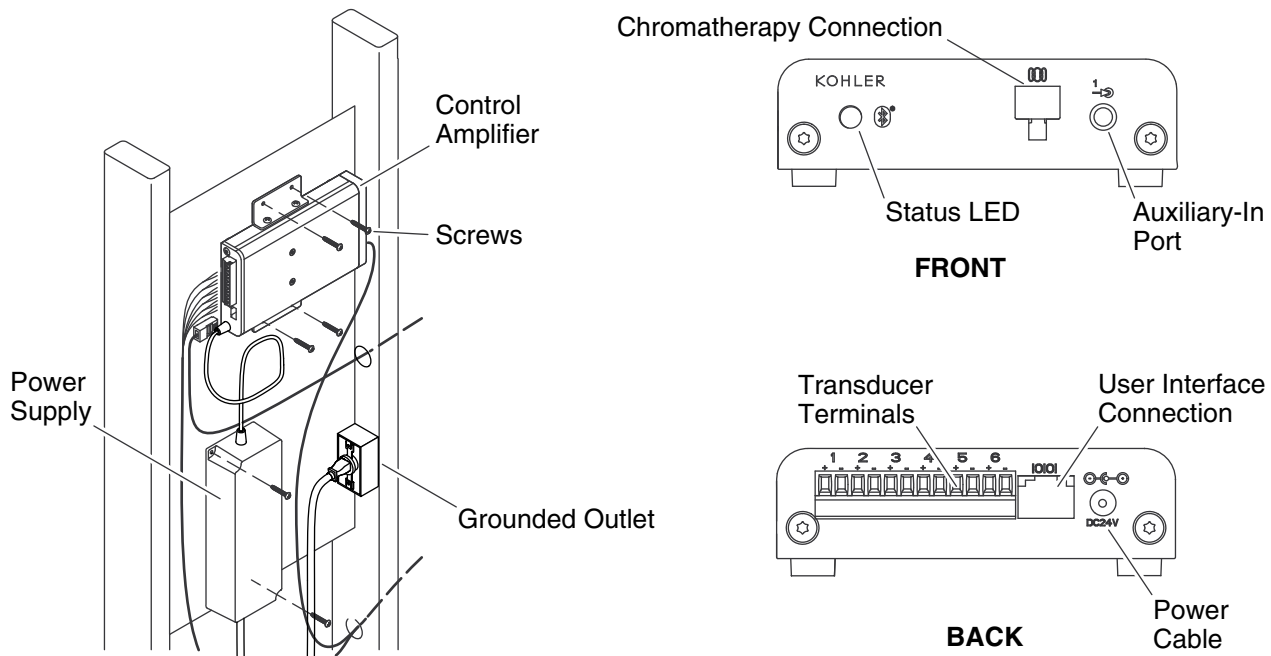
## 5. Install Electrical Connections



**WARNING: Risk of electric shock.** Disconnect the power before performing the following procedures.

**NOTICE:** A qualified electrician must install a dedicated GFCI- or RCD-protected, 120 V, 15 A grounded outlet.

- Install a 120 V, 15 A grounded outlet within the wall framing and within 24" (610 mm) of the planned control amplifier location. Route the wires through conduit for this outlet installation.



## 6. Install the Control Amplifier



**WARNING: Risk of electric shock.** Connect the control amplifier to a properly grounded, grounding-type receptacle protected by a Ground-Fault Circuit-Interrupter (GFCI) or Residual Current Device (RCD). Do not remove the grounding pin from the plug or use a grounding adapter.

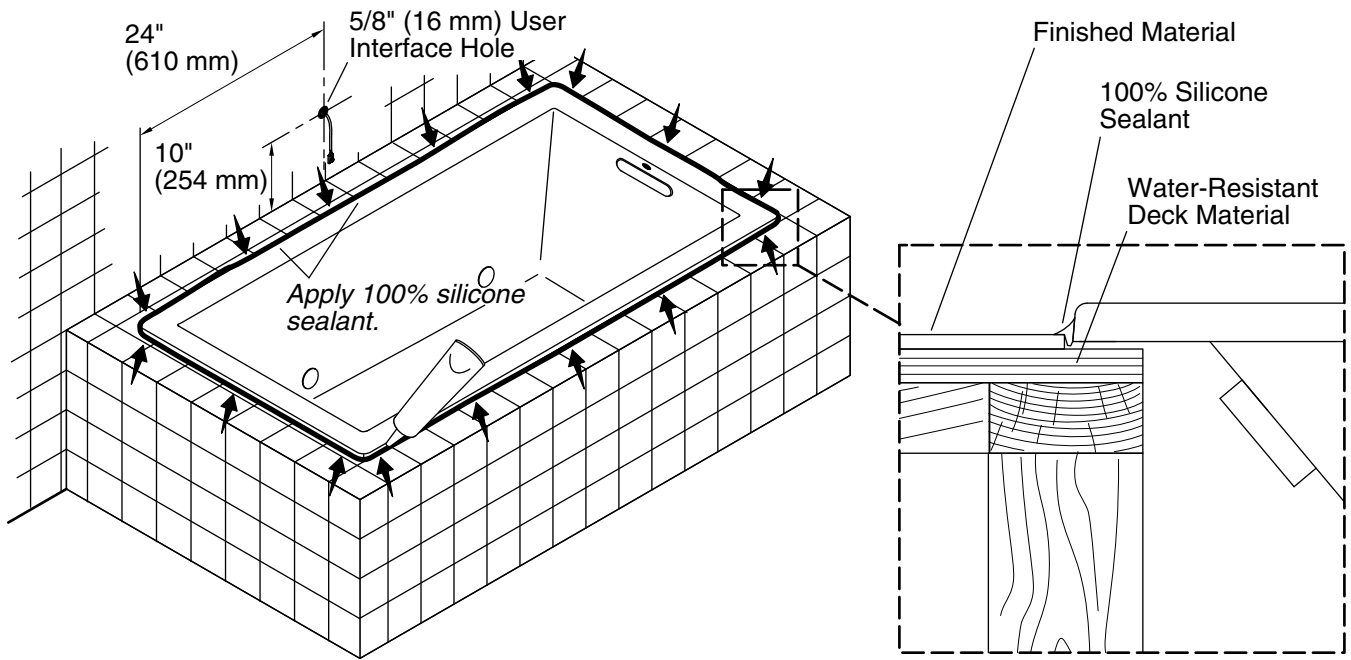
**IMPORTANT!** Keep insulating materials away from the control amplifier. Provide an unobstructed air space around the control amplifier to permit cooling.

**NOTE:** The control amplifier can be positioned vertically or horizontally.

- Install the mounting brackets to the control amplifier.
- Position the control amplifier flush or recessed from the front of the studs.
- Using the wood screws provided, secure the control amplifier to the framing. Use the anchors provided if securing to a wall material other than wood.

**NOTE:** The transducer terminals and wires are numbered to identify the correct connections. When required, the control amplifier can be removed to aid in the wire connection process.

- **Securely** attach the transducer wires to the transducer terminals on the control amplifier. The white with black wires are the positive (+) leads, and the solid white wires are the negative (-) leads.
- If equipped, connect the chromatherapy connector to the chromatherapy terminal on the control amplifier.
- Connect the clear connector on the user interface cable to the control amplifier user interface connection.
- If used, connect the auxiliary-in connector to the auxiliary-in connection on the control amplifier.
- Plug the power supply into the electrical outlet. Make sure that the other end of the power supply is connected to the power-in connection on the control amplifier.



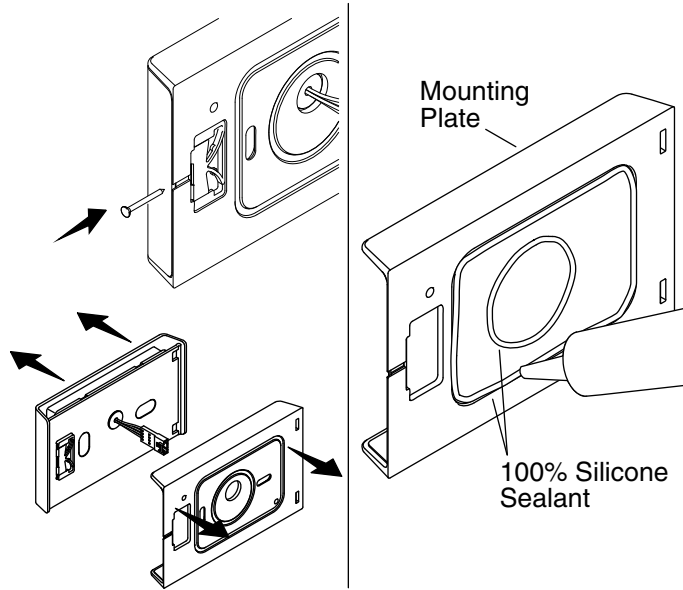
## 7. Complete the Finished Walls

- Cover the framing with water-resistant material.
- **Provide suitable access** to the control amplifier.
- Install the finished wall and deck materials.
- Drill a 5/8" (16 mm) hole through the wall material where the user interface will be installed. Refer to the "Installation Sequence" section for the recommended location.
- Route the user interface cable through the hole in the wall material, and tape or otherwise secure the cable so it will not fall between the walls.

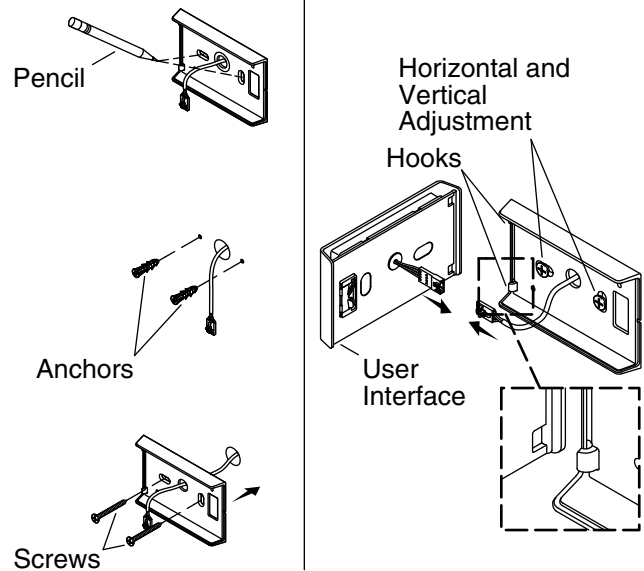
**IMPORTANT!** Kohler Co. strongly recommends the use of 100% silicone sealant as instructed. Other sealants with high filler contents should be avoided, as they may shrink, separate, and peel over time.

- Seal the joints between the bath rim and the finished deck with a 1/8" (3 mm) bead of 100% silicone sealant.
- Install the faucet trim.

### Back View



### Front View



## 8. Install the User Interface

**IMPORTANT!** Do not allow the cable routed through the wall hole to fall into the wall.

- Push a thin nail into the groove in the back side of the user interface to separate the interface from the mounting plate.
- Position the mounting plate over the cable and against the finished wall so the hooks are to the left.
- Level the mounting plate and mark the screw hole locations on the wall.
- Remove the mounting plate and drill 1/4" holes at the marked locations.
- Insert the provided wall anchors into the holes.
- Apply a bead of 100% silicone sealant to the two grooves on the back of the mounting plate.
- Position the mounting plate over the cable with the hooks to the left, and secure to the wall using the two screws provided.
- Check for level. If needed, loosen the screws and adjust the mounting plate.
- Connect the cable to the user interface.
- Engage the edge of the user interface with the two mounting plate hooks, then firmly swing the user interface against the mounting plate until they snap together.
- Refer to the User Guide included with the user interface to set up, program, and verify proper function of the product.

## Troubleshooting

**NOTICE:** This section is for general aid only. A Kohler Co. Authorized Service Representative or qualified electrician should correct any electrical problems. For warranty service, call 1-800-4KOHLER from within the USA and Canada, or 001-800-456-4537 from within Mexico.

**NOTE:** For service parts information, visit your product page at [kohler.com/serviceparts](http://kohler.com/serviceparts).

## Troubleshooting (cont.)

### Troubleshooting Table

Symptoms	Probable Cause	Recommended Action
1. One or more transducers do not produce sound, or sound is too low.	A. Transducer wire is not plugged in properly.	A. Make sure that the wires are properly installed into the control amplifier connections and to the left and right transducers.
2. One or more transducers do not produce sound, or sound is too low.	A. Damaged transducer or transducer not plugged in.	A. Make sure that the transducer wires are properly installed into the appropriate positive (+) and negative (-) connectors on the control amplifier.
3. After playing music loudly, the music stops even though a song has been properly selected.	A. Thermal shut down.	A. Shut down the system for 1 hour to allow the unit to cool. Make sure the area where the unit is installed does not exceed 104°F (40°C).
4. The status LED is not illuminated.	A. Power supply is not plugged into the outlet. B. Power supply connection to the control amplifier may be loose or disconnected. C. The outlet is not powered. D. Circuit breaker has been tripped.	A. Plug the power supply into the outlet. B. Check power supply connection to the control amplifier and reconnect if needed. C. Make sure that there is power to the electrical outlet. D. Reset the circuit breaker.
5. No sound plays through the transducers.	A. The song is paused. B. The volume is too low.	A. Make sure that a song is playing. If the song is paused, press the resume feature to continue playback. B. Make sure that the volume is turned up high enough for proper enjoyment.
6. The control amplifier is not connecting to a BLUETOOTH device.	A. The BLUETOOTH device is not within range. B. The BLUETOOTH device is not paired with the control amplifier.	A. Make sure that the BLUETOOTH device is within range of the control amplifier. B. Pair the BLUETOOTH device with the control amplifier according to the pairing instructions for the BLUETOOTH device.
7. The LED is blue, but the audio signal is intermittent.	A. The BLUETOOTH device is not within full range.	A. Move the BLUETOOTH device closer to the control amplifier location.

### Control Amplifier Troubleshooting Table

Symptoms	Probable Cause	Recommended Action
1. One or more transducers do not produce sound.	A. Transducer wire is not connected properly. B. Damaged transducer wires.	A. Make sure that the wires are properly connected to the control amplifier. Each transducer has a white with black wire, which is the positive (+) lead, and a solid white wire, which is the negative (-) lead. B. The bath has six transducers with wires that are permanently attached. Inspect the six transducers for frayed, cut, or loose wires. Contact the Customer Care Center for assistance.



## Troubleshooting (cont.)

### Control Amplifier Troubleshooting Table

Symptoms	Probable Cause	Recommended Action
	C. Transducer is missing, loose, or not attached.	C. If any one of the six transducers is missing, loose, or not attached to the bath, contact the Customer Care Center for assistance.
2. The music stops even though a song has been properly selected, and the status indicator light is blinking yellow.	A. Thermal shut down.  B. Control amplifier error.	A. Shut down the system for 1 hour to allow the unit to cool. Make sure the area where the unit is installed does not exceed 104°F (40°C). Restart the system. If the status indicator is not solid or blinking blue, refer to the control amplifier installation guide. B. Contact the Customer Care Center if the control amplifier LED status indicator is blinking yellow after the system has been restarted.
3. The status LED is not illuminated.	A. Power supply is not plugged into the outlet. B. Power supply connection to the control amplifier is loose or disconnected. C. The outlet is not powered. D. Circuit breaker has been tripped.	A. Plug the power supply into the outlet. B. Check power supply connection to the control amplifier and reconnect if needed. C. Make sure that there is power to the electrical outlet. D. Reset the circuit breaker.
4. No sound plays through the transducers.	A. The song is paused. B. Auxiliary-In or BLUETOOTH source is not connected. C. Vibracoustic experience has not been selected at the User Interface. D. The control amplifier has been muted. E. The volume is too low.	A. Make sure that a song is playing. If the song is paused, press the resume feature to continue playback. B. Make sure that a song is playing from the auxiliary-in or BLUETOOTH source. C. Make sure that the vibracoustic experience has been selected. D. Go into the intensity screen on the User Interface and unmute the control amplifier. E. Make sure the volume is set high enough on the user interface and the auxiliary device.
5. The control amplifier is not connecting to my BLUETOOTH device.	A. The BLUETOOTH device is not within range. B. The BLUETOOTH device is not paired with the control amplifier.	A. Make sure that the BLUETOOTH device is within range of your control amplifier. Under normal conditions, the maximum range is 30' (9.14 m). B. Pair your BLUETOOTH device with the control amplifier according to the pairing instructions for your BLUETOOTH device.
6. The status LED is blue, but the audio signal is intermittent.	A. The BLUETOOTH device signal is weak.	A. Move the BLUETOOTH device closer to the control amplifier location. Under normal conditions, the maximum range is 30' (9.14 m).

## Troubleshooting (cont.)

### (If Equipped) Chromotherapy Troubleshooting Table

Symptom	Probable Cause	Recommended Action
1. Chromotherapy lights do not work.	A. Power to the control amplifier is off.	A. Reset the circuit breaker to the control amplifier, then check the electrical power supply and connections.
	B. Control amplifier must be reset.	B. Unplug the amplifier power supply from the electrical outlet. Wait 30 seconds, then plug in the power supply and restart.
	C. Control amplifier does not work.	C. Replace the amplifier.
	D. Chromotherapy or user interface cable connections are loose or damaged.	D. Inspect the cables for loose connections or damage. Replace the cables as needed.
	E. User interface does not work properly.	E. Verify that the user interface cable is securely connected to the user interface and the user interface connection on the amplifier. If the connections are good, replace the user interface.
	F. Chromotherapy feature has not been selected on the user interface.	F. Select the Chromotherapy feature on the user interface.
	G. Chromotherapy control does not work.	G. Replace the Chromotherapy control.
2. Chromotherapy lights do not cycle through all colors.	A. Control amplifier must be reset.	A. Unplug the amplifier power supply from the electrical outlet. Wait 30 seconds, then plug in the power supply and restart.
	B. Chromotherapy or user interface cable connections are loose or damaged.	B. Inspect the cables for loose connections or damage. Replace the cables as needed.
	C. User interface does not work properly.	C. Cycle through the Chromotherapy light functions. If the lights do not cycle through all colors and the blue icon on the user interface is not lit, replace the user interface.
	D. If none of the recommended actions correct the problem, contact Kohler Co.	D. Contact the Customer Care Center using the contact information on the back cover.
3. Chromotherapy lights remain locked on one color.	A. Control amplifier must be reset.	A. Unplug the amplifier power supply from the electrical outlet. Wait 30 seconds, then plug in the power supply and restart.
	B. User interface does not work properly.	B. Cycle through the Chromotherapy light functions. If the lights do not cycle through all colors and the blue icon on the user interface is not lit, replace the user interface.
	C. Chromotherapy or user interface cable connections are loose or damaged.	C. Inspect the cables for loose connections or damage. Replace the cables as needed.
	D. If none of the recommended actions correct the problem, contact Kohler Co.	D. Contact the Customer Care Center using the contact information on the back cover.

# Guide d'installation

## Baignoire vibracoustique

### INSTRUCTIONS IMPORTANTES



**AVERTISSEMENT:** Lors de l'utilisation de produits électriques, toujours observer les précautions de base, notamment:



**AVERTISSEMENT: Risque de choc électrique.** Raccorder uniquement à un circuit protégé par un disjoncteur de fuite de terre (GFCI)\*.



**AVERTISSEMENT: Risque de choc électrique.** Tout le câblage électrique doit être réalisé par un électricien qualifié.



**AVERTISSEMENT: Risque de choc électrique.** Déconnecter l'alimentation électrique avant d'effectuer un entretien.



**AVERTISSEMENT: Risque de choc électrique.** Ne pas faire fonctionner les appareils audio auxiliaires sous tension électrique à proximité de l'eau.



**AVERTISSEMENT: Risque de blessures ou d'endommagement du matériel.** Lire toutes les instructions avec attention avant de commencer l'installation.

**AVIS: Respecter tous les codes de plomberie, d'électricité et de construction.** Installer cet appareil conformément au Code canadien de l'électricité, Partie 1.

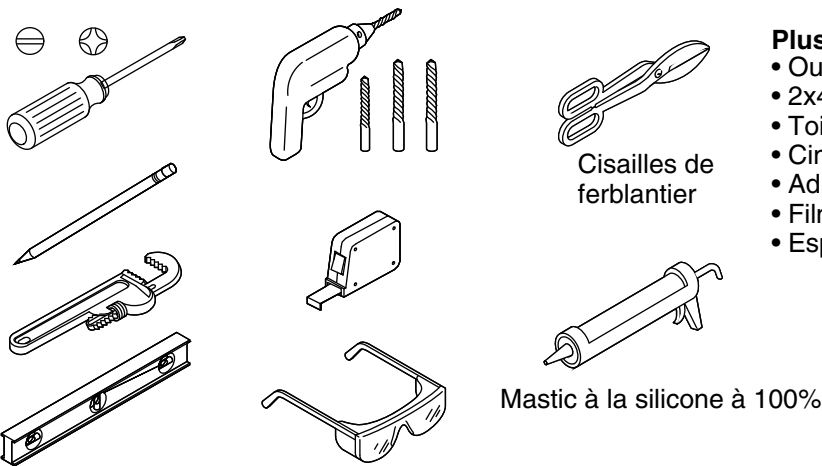
**AVIS: Une mise à la terre est requise.** L'appareil doit être installé et mis à la terre par un représentant technique qualifié.

**AVIS:** Si le cordon d'alimentation est endommagé, il doit être remplacé par le fabricant, son représentant technique ou un personnel ayant les mêmes qualifications, afin d'éviter tout danger.

**AVIS:** Fournir un minimum de 6" (152 mm) d'espace d'air autour de l'amplificateur de commande pour assurer une circulation d'air appropriée.

\* Hors de l'Amérique du Nord, ce dispositif peut être connu sous le nom de dispositif à courant résiduel (RCD).

## Outils et matériel



### Plus:

- Outils et matériaux de menuiserie classiques
- 2x4
- Toile de protection
- Ciment mortier (optionnel)
- Adhésif de construction (optionnel)
- Film en plastique (Optionnel)
- Espaceurs 1/8" (3 mm)

## Avant de commencer

**AVIS:** Un support de plancher adéquat doit être fourni. Noter le **numéro de modèle** se trouvant sur l'arrière de la baignoire, puis visiter la page du produit sur le site [www.kohler.com](http://www.kohler.com) pour obtenir de l'information supplémentaire.

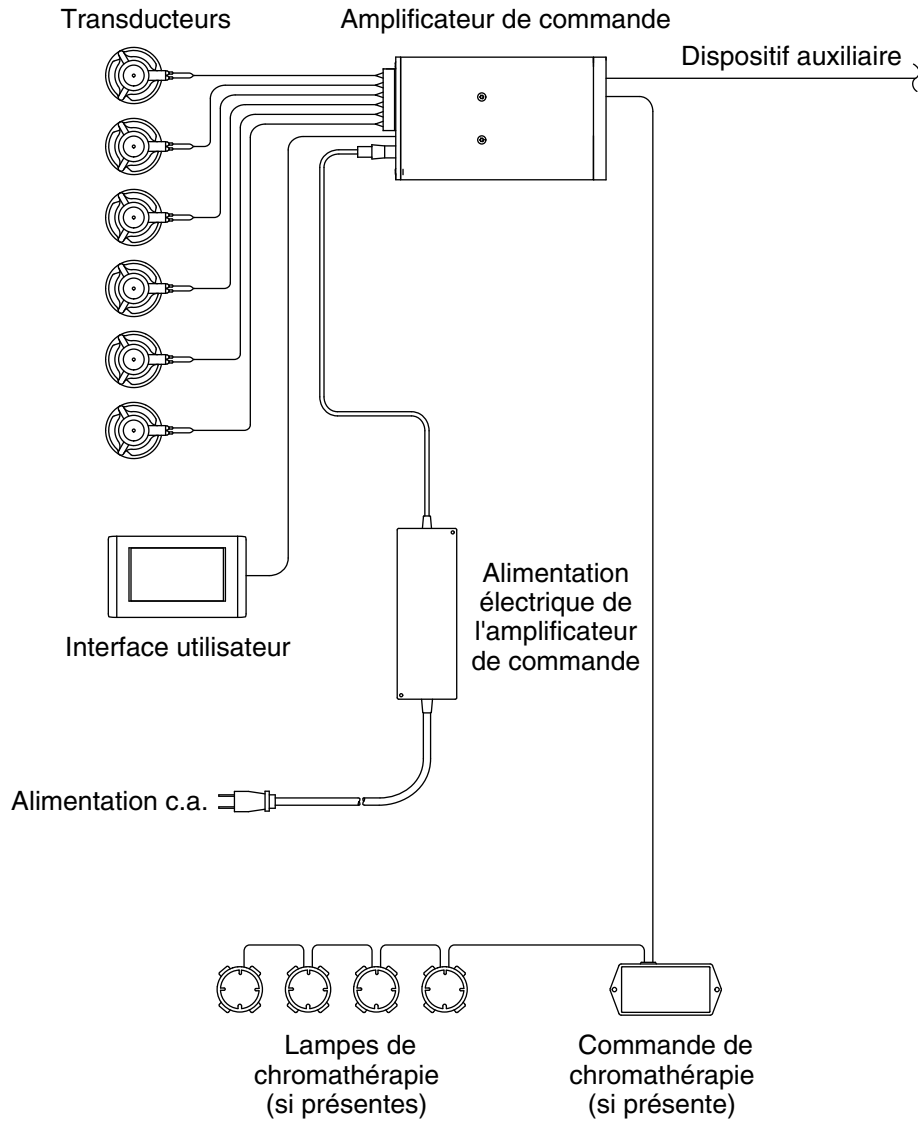
**AVIS:** Ne pas supporter le poids de charge de la baignoire par le rebord. Prévoir de placer des cales sous la baignoire au besoin lors du nivellement de la baignoire.

**AVIS:** Vérifier que le support est adéquat si un robinet est monté sur le rebord ou sur le tablier. Les robinets de grande taille pourraient être utilisés par inadvertance comme moyen de support et ils ne sont pas sécuritaires pour cette installation.

- Respecter tous les codes électriques de plomberie et de bâtiment de l'État et locaux.
- Débiller et inspecter la baignoire pour détecter tout dommage. Remettre la baignoire dans le carton jusqu'à l'installation.
- Lire ces instructions et déterminer les emplacements pour tous les composants requis avant de commencer l'installation.
- Cette baignoire est conçue pour une installation à encastrer par le dessus, en alcôve, à encastrer par le dessous ou sur podium.
- Déterminer l'emplacement de l'amplificateur de commande s'il doit être installé à distance. L'amplificateur de commande comprend une alimentation électrique avec un cordon de 36" (914 mm) et un câble de 25' (7,6 m).
- Un électricien qualifié doit installer une prise électrique pour disjoncteur de fuite de terre (GFCI) ou dispositif de protection à courant résiduel (RCD) de 120 V, 15 A dans le pan à colombages comprise dans une distance de 24" (610 mm) de l'amplificateur de commande. L'interface utilisateur, les transducteurs et la chromothérapie (si la baignoire en est équipée) sont alimentés par des connexions avec l'amplificateur de commande.
- Utiliser un conduit pour acheminer les fils électriques en provenance du disjoncteur.
- Planifier avec attention le déplacement de la baignoire dans l'emplacement d'installation. Cette baignoire ne passe pas facilement par les entrées de portes.
- Installer cette baignoire sur un sous-plancher de niveau. Des cales pourraient être nécessaires si le sous-plancher n'est pas nivelé.
- Fournir une charpente de dimensions appropriées.

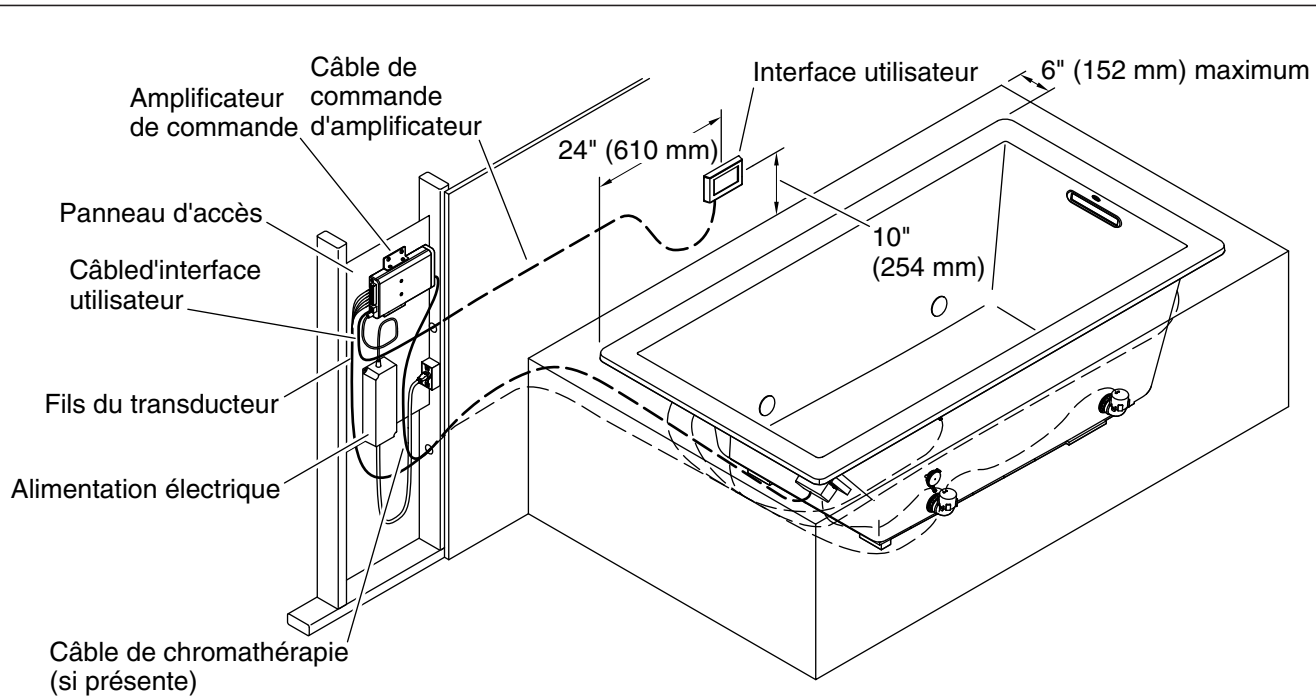
### **Avant de commencer (cont.)**

- Si le sous-plancher est à niveau et perpendiculaire avec le pan à colombages, l'espace de la vasque de la baignoire ne nécessite pas de support supplémentaire.
- Prévoir l'espace de montage et de connexion adéquats pour le robinet.
- Cette baignoire est conforme à la norme CSA B45.5/IAPMO Z124. Toutes les dimensions sont nominales.



## Composants

### Vibracoustique et chromathérapie (si présentes)



## Séquence d'installation

**IMPORTANT!** Plusieurs composants de baignoire inclus seront alimentés par l'amplificateur de commande par l'intermédiaire de câbles de 25' (7,6 m). Planifier l'emplacement de l'amplificateur de commande de manière à ce que les câbles puissent atteindre l'emplacement sans être sous tension.

Pour obtenir les meilleurs résultats possibles, suivre la séquence d'installation ci-dessous. Des instructions détaillées sont fournies sur les pages suivantes de ce guide.

L'illustration ci-dessus indique une installation typique avec les emplacements préférés pour l'interface utilisateur et l'amplificateur de commande. L'installation sera similaire, selon la baignoire en question.

### Séquence d'installation recommandée

- Déterminer les emplacements pour les composants de la baignoire. Se référer à l'illustration pour les emplacements préférés.
- Déterminer l'emplacement des panneaux d'accès requis pour l'entretien de l'amplificateur de commande.

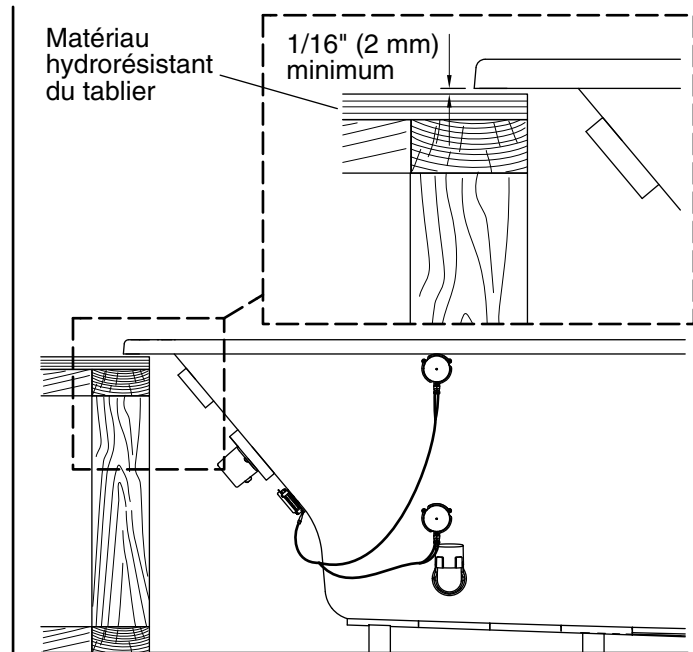
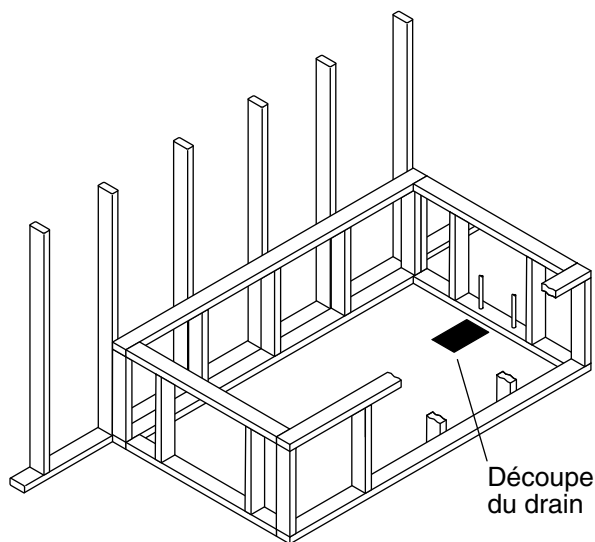
**AVIS:** Utiliser des goujons en bois pour construire le cadrage de la baignoire. Une structure en métal pourrait avoir un effet négatif sur la qualité vibracoustique du produit.

- Construire le cadrage pour la baignoire.
- Installer le matériau du tablier brut.
- Acheminer les tuyaux d'arrivée et d'évacuation de plomberie pour la baignoire.
- Installer la baignoire et le drain.
- Acheminer les fils du transducteur vers l'emplacement de l'amplificateur de commande.
- Installer une prise électrique comprise dans une distance de 24" (610 mm) de la zone choisie pour l'amplificateur de commande.
- Si la baignoire en est équipée, acheminer le câble de chromothérapie vers la zone choisie pour l'amplificateur de commande.
- Acheminer le câble d'interface utilisateur de la zone de l'amplificateur de commande vers l'emplacement de l'interface utilisateur.

### **Séquence d'installation (cont.)**

- Installer l'amplificateur de commande.
- Connecter le transducteur, l'interface utilisateur, le dispositif auxiliaire optionnel (si utilisé) et les câbles de chromathérapie (si la baignoire en est équipée) à l'amplificateur de commande.
- Finir les murs et le tablier et installer le panneau d'accès requis pour l'amplificateur de commande.
- Brancher le câble d'interface utilisateur sur l'interface utilisateur et installer l'interface utilisateur.
- Brancher l'amplificateur de commande sur la prise électrique.
- Tester la fonctionnalité des composants de la baignoire. Se référer au "Guide du propriétaire" pour le fonctionnement.





## 1. Préparer le site

**AVIS:** Mesurer le produit pour la préparation du site. Noter le **numéro de modèle** se trouvant sur le côté arrière de la baignoire, puis visiter la page du produit sur le site [www.kohler.com](http://www.kohler.com) pour obtenir de l'information supplémentaire.

### Plancher

- Fournir un support adéquat pour la baignoire.
- Vérifier que le sous-plancher est de niveau.
- Installer un support supplémentaire et ajuster le niveau selon les besoins.

### Charpente

**IMPORTANT!** Ne pas soutenir la baignoire par le rebord. La baignoire doit être supportée par les blocs de support uniquement. Prévoir de placer des cales sous la baignoire au besoin lors du nivellement de la baignoire.

**IMPORTANT!** La longueur de chacun des câbles qui raccordent l'amplificateur de commande aux composants de la baignoire est de 25' (7,6 m). Planifier et placer avec précaution l'amplificateur de commande de manière à ce que ces câbles acheminés puissent atteindre l'emplacement voulu sans difficulté et sans être sous tension.

**AVIS:** Cette baignoire est conçue pour une installation à encastrer par le dessus, en alcôve, à encastrer par le dessous ou sur podium.

**AVIS:** Utiliser un cadrage en bois. Une charpente en bois fournira la meilleure qualité vibracoustique.

**AVIS:** Si l'amplificateur de commande est installé entre des goujons, l'espacement de ces derniers doit être égal à 16" (406 mm).

**REMARQUE:** La charpente illustrée ne comprend aucun matériau de mur fini et du tablier. Prévoir les épaisseurs du matériau des mur finis et du tablier lors de la construction de la charpente.

- Construire la charpente, en tenant compte de l'épaisseur des matériaux des mur finis et du tablier.

### Préparer le site (cont.)

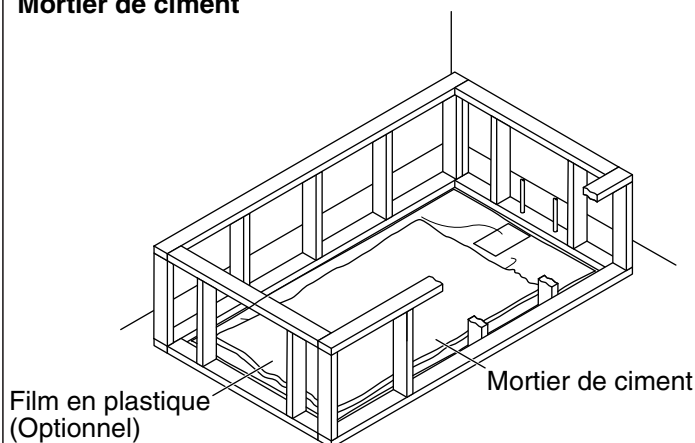
- **Pour les installations à encastrer par le dessus**, fournir un espace de 1/16" (2 mm) à 1/8" (3 mm) entre la charpente et le dessous du rebord de la baignoire afin d'assurer que celle-ci n'est pas supportée par le rebord.
- **Pour les installations à encastrer par le dessous**, fournir un espace de 1/16" (2 mm) à 1/8" (3 mm) entre la charpente et la surface supérieure du rebord de la baignoire afin d'assurer que le poids de la charpente ne repose pas sur le rebord de la baignoire.
- Construire un pan à colombages ou une poche pour l'amplificateur de commande.
- Fournir un moyen d'acheminer le câble de l'interface utilisateur à travers le mur jusqu'à l'amplificateur de commande.

### Plomberie

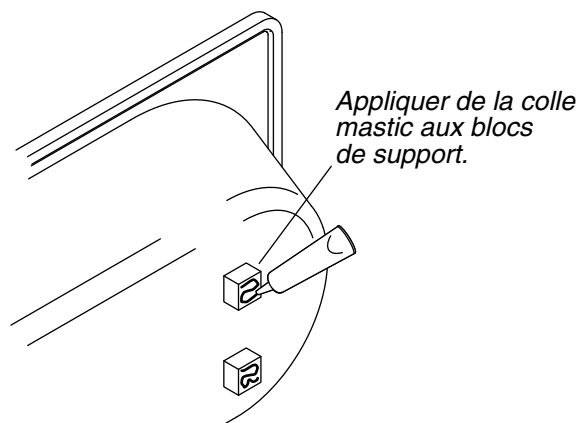
**REMARQUE: Pour des installations de drain dans le plancher:** découper un trou dans le sous-plancher pour les raccordements du drain.

- Installer la plomberie brute d'évacuation et d'alimentation en eau.
- Boucher les alimentations et s'assurer de l'absence de fuites.
- Fixer le drain à la baignoire en suivant les instructions incluses avec le drain. **Ne pas connecter le siphon pour l'instant.**

### Mortier de ciment



### Colle mastic



## 2. Installer la baignoire

**IMPORTANT!** Utiliser des espaceurs d'une épaisseur de 1/8" (3 mm) au maximum sous le rebord de la baignoire pour assurer que le rebord n'entre pas en contact avec la plate-forme.

**AVIS:** S'assurer que le sous-plancher est de niveau avant de continuer. Utiliser des cales selon les besoins.

**AVIS:** Fournir un moyen d'acheminer le câble de l'interface utilisateur à travers le mur jusqu'à l'amplificateur de commande.

- Sécuriser la baignoire en utilisant l'une des deux méthodes suivantes.

### Lit de mortier de ciment

**AVIS:** Ne pas utiliser de plâtre dur ou de mélange pour cloison sèche, car ces matériaux ne fournissent pas une adhésion durable.

**REMARQUE:** Poser un film en plastique sur les sous-planchers en bois au besoin afin de prévenir une absorption d'eau.

- Étaler une couche de mortier de ciment d'une épaisseur de 2" (51 mm) sur le sous-plancher.
- Avec de l'aide, déplacer la baignoire avec précaution pour la mettre en place. Procéder avec précaution afin d'éviter tout endommagement des composants montés sur la baignoire.
- Adapter des espaceurs de 1/8" (3 mm) maximum sous le rebord de la baignoire de manière à ce que le rebord n'entre pas en contact avec le tablier.
- Vérifier que la baignoire est de niveau. Repositionner ou caler selon les besoins.
- Placer une toile de protection propre au fond de la baignoire pour protéger la surface de celle-ci.
- Appliquer du poids sur la cuve de la baignoire jusqu'à ce que le mortier durcisse.

### Colle mastic

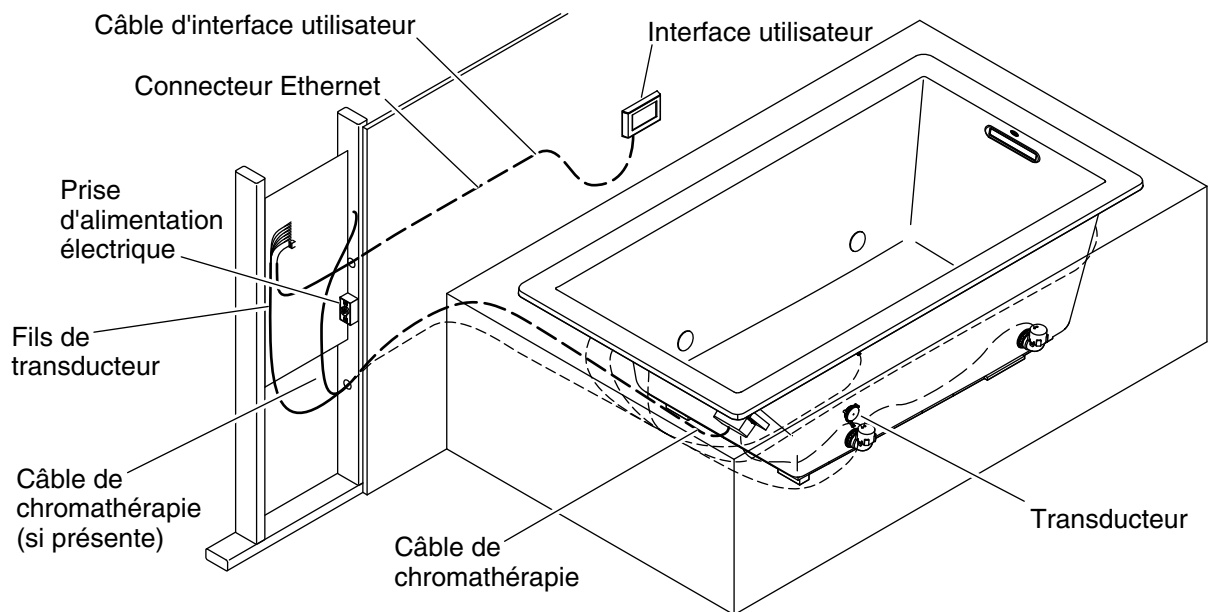
- Appliquer une quantité suffisante de colle mastic de bonne qualité sur la base des blocs de support.
- Avec de l'aide, abaisser la baignoire avec précaution pour la mettre en place. Veiller à éviter tout endommagement des composants montés sur la baignoire.
- Adapter des espaceurs de 1/8" (3 mm) maximum sous le rebord de la baignoire de manière à ce que le rebord n'entre pas en contact avec le tablier.
- S'assurer que la baignoire est de niveau et qu'elle repose sur tous les blocs de support. Repositionner ou caler selon les besoins.
- Placer une toile de protection propre au fond de la baignoire pour protéger la surface de celle-ci.
- Appliquer du poids sur la cuve de la baignoire jusqu'à ce que la colle mastic durcisse.

### 3. Installer la plomberie



**ATTENTION: Risque de dommages matériels.** Pour éviter les fuites d'eau, poser un joint d'étanchéité sur tous les raccords de drain de la baignoire.

- Connecter le drain au siphon.
- Installer la vanne du robinet selon les instructions du fabricant du robinet. **Ne pas installer la garniture du robinet pour l'instant.**
- Ouvrir les alimentations en eau chaude et eau froide. Inspecter tous les raccords pour y rechercher des fuites.
- Remplir la baignoire jusqu'au trop-plein et inspecter les connexions du drain pour y rechercher des fuites.

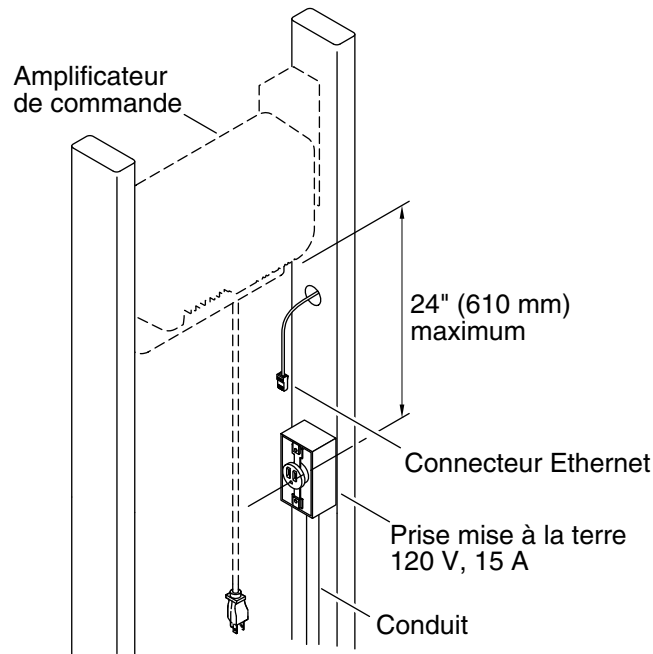


#### 4. Acheminement des câbles

**IMPORTANT!** Plusieurs des composants de baignoire inclus sont alimentés par l'amplificateur de commande par l'intermédiaire des câbles de 25' (7,6 m). Planifier l'emplacement de l'amplificateur de commande de manière à ce que les câbles puissent être branchés sans être sous tension.

- Couper l'attache qui sécurise les fils spiralés du transducteur sur l'arrière de la baignoire.
- Acheminer les fils du transducteur à travers la charpente vers l'emplacement de l'amplificateur de commande, en perçant des trous de 1" (52 mm) aux emplacements nécessaires.
- Si la baignoire est munie de l'option de chromathérapie, acheminer le câble entre la baignoire et l'emplacement planifié pour l'amplificateur. Acheminer de la même manière que les câbles du transducteur.
- Acheminer le câble d'interface utilisateur à travers la charpente entre l'emplacement d'interface utilisateur prévu et l'emplacement de l'amplificateur de commande. Vérifier que le connecteur de type Ethernet plus grand se trouve du côté de l'amplificateur de commande. Inclure une boucle d'égouttement.

**REMARQUE:** Si nécessaire, acheminer un câble d'entrée auxiliaire (non inclus) jusqu'à l'emplacement de l'amplificateur de commande.



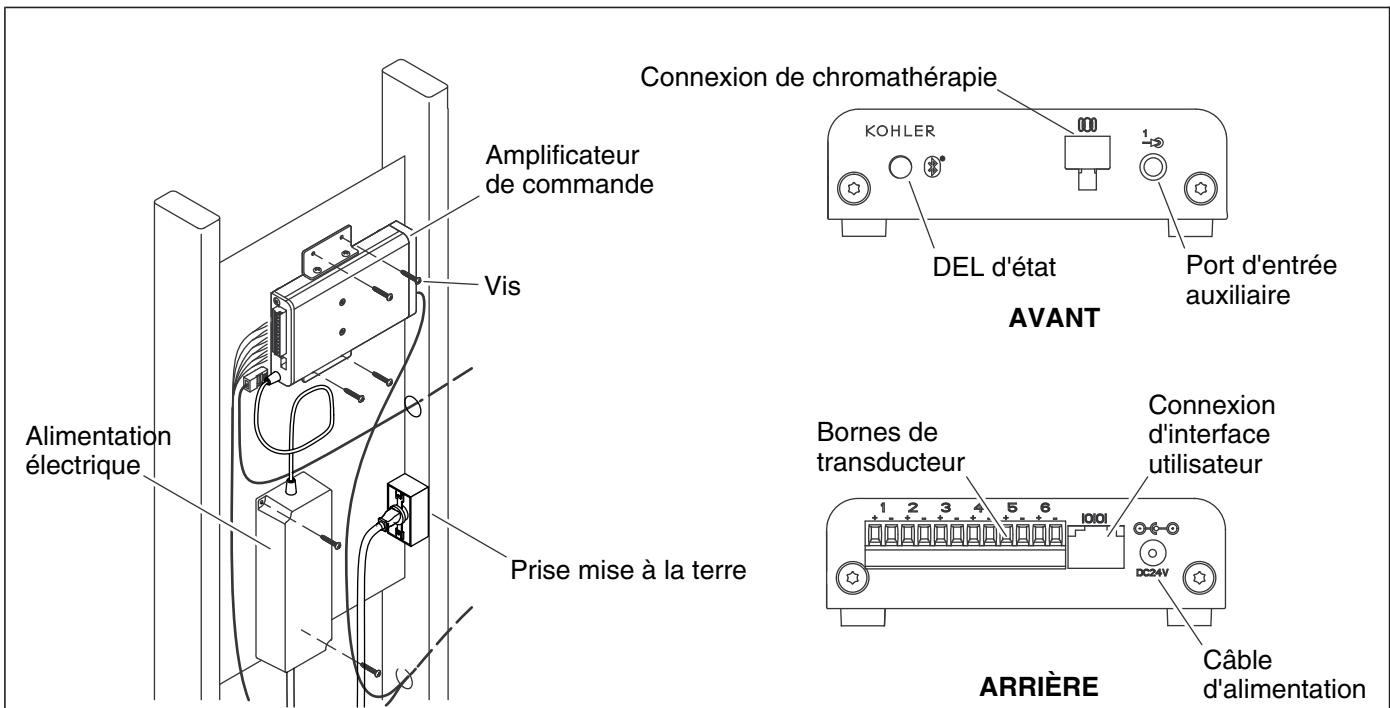
## 5. Installer les connexions électriques



**AVERTISSEMENT: Risque de choc électrique.** Débrancher l'alimentation électrique avant d'effectuer les procédures suivantes.

**AVIS:** Un électricien qualifié doit installer une prise mise à la terre dédiée de 120 V et 15 A protégée par un disjoncteur de fuite de terre (GFCI) ou un dispositif de protection à courant résiduel (RCD).

- Installer une prise mise à la terre de 120 V et 15 A dans la charpente des murs et à moins de 24" (610 mm) de l'emplacement prévu pour l'amplificateur de commande. Acheminer les câbles à travers le conduit pour l'installation de cette prise.



## 6. Installer l'amplificateur de commande



**AVERTISSEMENT: Risque de choc électrique.** Brancher l'amplificateur de commande sur un réceptacle correctement mis à la terre prévu à cet effet et protégé par un disjoncteur de fuite de terre (GFCI) ou un dispositif de protection à courant résiduel (RCD). Ne pas retirer la cosse de mise à la terre de la prise ni utiliser d'adaptateur de mise à la terre.

**IMPORTANT!** Maintenir le matériel isolant à distance de l'amplificateur de commande. Assurer un espace d'air sans obstruction autour de l'amplificateur de commande pour permettre le refroidissement.

**REMARQUE:** L'amplificateur de commande peut être positionné verticalement ou horizontalement.

- Retirer l'amplificateur de commande de son carton d'emballage.
- Installer les supports de fixation sur l'amplificateur de commande.
- Positionner l'amplificateur à ras ou encastrer celui-ci à partir de l'avant des goujons.
- Utiliser les vis à bois fournies pour sécuriser l'amplificateur de commande sur la charpente. Utiliser les chevilles d'ancrage fournies s'il est nécessaire de le sécuriser sur un matériau de mur qui n'est pas en bois.

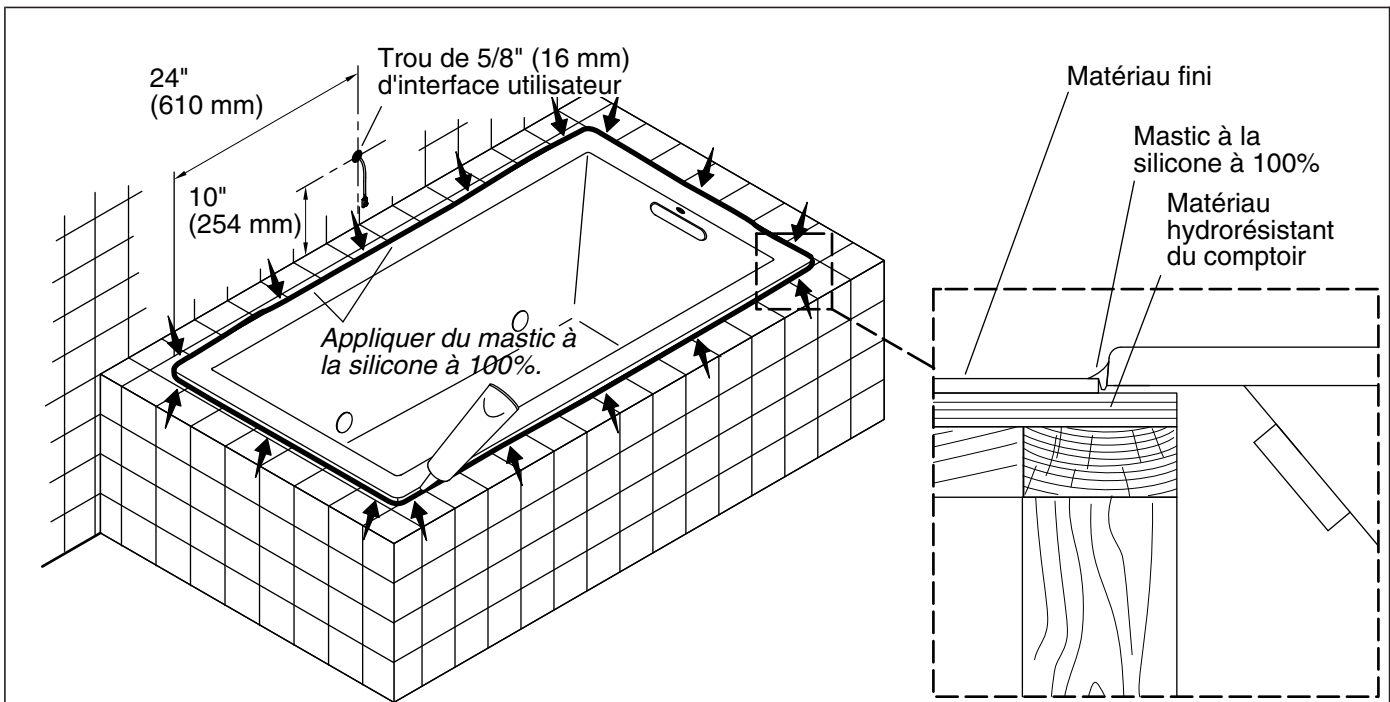
**REMARQUE:** Les bornes et les fils des transducteurs sont numérotés pour permettre d'identifier les connexions appropriées. Lorsque requis, l'amplificateur de commande peut être retiré pour faciliter la procédure de connexion des fils.

- **Bien** attacher les fils du transducteur aux bornes du transducteur sur l'amplificateur de commande. Les fils blancs avec noir sont les bornes de raccordement positives (+) et les fils blancs solides sont les bornes de raccordement négatives (-).
- Si la baignoire en est équipée, connecter le connecteur de chromathérapie à la borne de chromathérapie sur l'amplificateur de commande.
- Connecter le connecteur transparent du câble d'interface utilisateur à la connexion d'interface utilisateur de l'amplificateur de commande.
- S'il est utilisé, connecter le câble d'entrée auxiliaire à la connexion d'entrée auxiliaire sur l'amplificateur de commande.

### **Installer l'amplificateur de commande (cont.)**

- Brancher l'alimentation sur la prise électrique. S'assurer que l'autre extrémité de l'alimentation électrique est connectée à la connexion d'entrée d'alimentation sur l'amplificateur de commande.





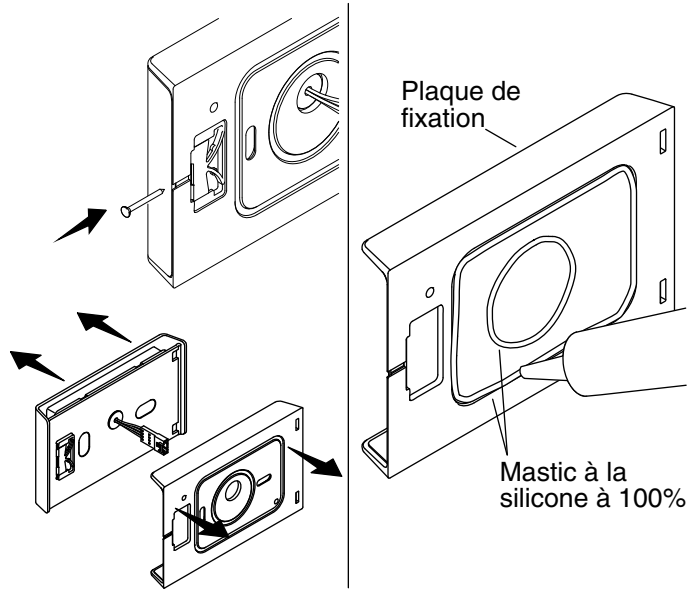
## 7. Terminer les murs fins

- Couvrir la charpente avec du matériau hydrorésistant.
- **Fournir un accès adéquat** à l'amplificateur de commande.
- Installer le matériau de mur et de tablier finis.
- Percer un trou de 5/8" (16 mm) dans le matériau du mur à l'endroit où sera installée l'interface utilisateur. Se référer la section "Séquence d'installation" pour l'emplacement recommandé.
- Acheminer le câble de l'interface utilisateur à travers le trou dans le matériau du mur et placer du ruban adhésif ou fixer le câble d'une autre manière pour l'empêcher de tomber entre les murs.

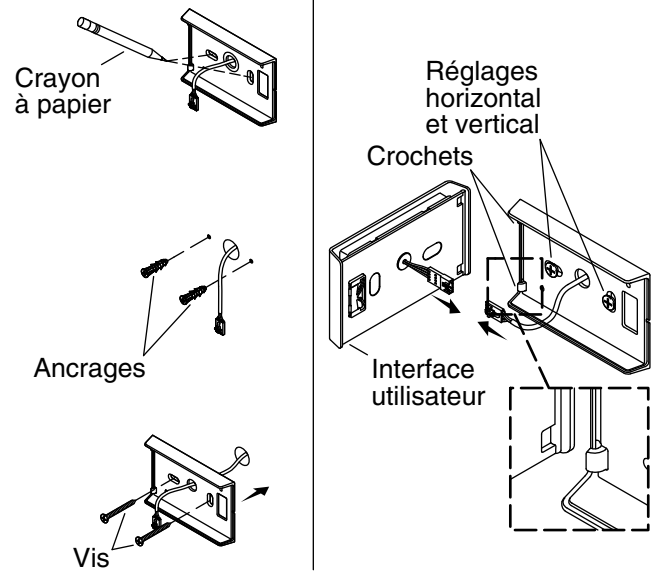
**IMPORTANT!** Kohler Co. recommande vivement d'utiliser du mastic d'étanchéité à la silicone, conformément aux instructions. D'autres mastics d'étanchéité contenant une quantité de matériau de remplissage plus élevée doivent être évités, car ils pourraient se rétrécir, se séparer, et peler au cours du temps.

- Sceller les joints entre le rebord de la baignoire et le tablier fini avec un boudin de 1/8" (3 mm) de mastic à la silicone à 100%.
- Installer la garniture de robinet.

## Vue arrière



## Vue avant



## 8. Installer l'interface utilisateur

**IMPORTANT!** Ne pas laisser le câble qui est acheminé à travers le mur tomber dans le mur.

- Pousser un clou fin dans la rainure se trouvant dans le côté arrière de l'interface utilisateur pour séparer cette dernière de la plaque de fixation.
- Placer la plaque de fixation par-dessus le câble et contre le mur fini de manière à ce que les crochets se trouvent sur la gauche.
- Mettre la plaque de fixation de niveau et marquer les emplacements des trous pour les vis sur le mur.
- Retirer la plaque de fixation et percer des trous de 1/4" aux emplacements marqués.
- Insérer les dispositifs d'ancrage fournis dans les trous.
- Appliquer un boudin de mastic à la silicone à 100% sur les deux rainures se trouvant à l'arrière de la plaque de fixation.
- Placer la plaque de fixation par-dessus le câble avec les crochets sur la gauche et la fixer au mur en utilisant les deux vis fournies.
- S'assurer que la surface est de niveau. Si nécessaire, desserrer les vis et ajuster la plaque de fixation.
- Connecter le câble à l'interface utilisateur.
- Engager le bord de l'interface utilisateur avec les deux crochets de la plaque de fixation, puis faire fermement pivoter l'interface utilisateur contre la plaque de fixation jusqu'à ce que les deux parties s'enclenchent.
- Se référer au guide de l'utilisateur inclus avec l'interface utilisateur pour installer, programmer et vérifier le fonctionnement correct du produit.

## Dépannage

**AVIS:** Cette section est seulement destinée à une aide générale. Un représentant du service agréé Kohler Co. ou un électricien qualifié doit rectifier tous les problèmes électriques. Pour un service de garantie, appeler le 1-800-4KOHLER à partir des É.-U. et du Canada, ou le 001-800-456-4537 à partir du Mexique.

## Dépannage (cont.)

**REMARQUE:** Pour tout renseignement sur les pièces de rechange, visiter la page du produit sur le site [www.kohler.com/serviceparts](http://www.kohler.com/serviceparts).

### Tableau de dépannage

Symptômes	Cause probable	Action recommandée
1. Un ou plusieurs transducteurs ne produisent pas de son ou le son est trop bas.	A. Le fil du transducteur n'est pas branché correctement.	A. S'assurer que les câbles sont installés correctement dans les connexions de l'amplificateur de commande et sur les transducteurs de gauche et de droite.
2. Un ou plusieurs transducteurs ne produisent pas de son ou le son est trop bas.	A. Transducteur endommagé ou le transducteur n'est pas branché.	A. S'assurer que les câbles des transducteurs sont installés correctement dans les connecteurs positif (+) et négatif (-) appropriés sur l'amplificateur de commande.
3. Si de la musique a été jouée très fort, celle-ci s'arrête même si une chanson a été sélectionnée correctement.	A. Arrêt thermal.	A. Arrêter le système pendant 1 heure pour permettre à l'appareil de se refroidir. S'assurer que la température de l'emplacement dans lequel l'appareil est installé ne dépasse pas 104°F (40°C).
4. Le voyant DEL d'état ne s'allume pas.	A. L'alimentation électrique n'est pas branchée dans la prise. B. La connexion de l'alimentation électrique à l'amplificateur de commande peut être desserrée ou déconnectée. C. La prise n'est pas sous tension. D. Le disjoncteur s'est déclenché.	A. Brancher l'alimentation électrique dans la prise. B. Vérifier la connexion de l'alimentation électrique à l'amplificateur de commande et reconnecter si nécessaire. C. S'assurer que la prise électrique est sous tension. D. Réarmer le disjoncteur.
5. Aucun son à travers les disjoncteurs.	A. La chanson est en pause. B. Le volume est trop bas.	A. S'assurer qu'une chanson est en train de jouer. Si la chanson est en pause, appuyer sur la fonction de reprise pour continuer la lecture. B. S'assurer que le volume est augmenté à un niveau assez élevé pour une écoute agréable.
6. L'amplificateur de commande ne se connecte pas à un appareil BLUETOOTH.	A. L'appareil BLUETOOTH ne se trouve pas dans la portée prévue. B. L'appareil BLUETOOTH n'est pas apparié avec l'amplificateur de commande.	A. S'assurer que l'appareil BLUETOOTH est compris dans la portée de l'amplificateur de commande. B. Appairier l'appareil BLUETOOTH avec l'amplificateur de commande selon les instructions d'appariement pour l'appareil BLUETOOTH.
7. Le voyant DEL est bleu, mais le signal audio est intermittent.	A. L'appareil BLUETOOTH ne se trouve pas un rayon de plage complète.	A. Amener l'appareil BLUETOOTH plus près de l'emplacement de l'amplificateur de commande.

### Tableau de dépannage de l'amplificateur de commande

Symptômes	Cause probable	Action recommandée
1. Un ou plusieurs transducteurs ne produisent pas de son.	A. Le fil du transducteur n'est pas connecté correctement.	A. S'assurer que les fils sont connectés correctement à l'amplificateur de commande. Chaque transducteur est muni d'un fil blanc et noir qui est le fil positif (+) et un fil en blanc solide qui est le fil négatif (-).

## Dépannage (cont.)

### Tableau de dépannage de l'amplificateur de commande

Symptômes	Cause probable	Action recommandée
	<p><b>B.</b> Fils de transducteurs endommagés.</p> <p><b>C.</b> Un transducteur est manquant, desserré ou n'est pas attaché.</p>	<p><b>B.</b> La baignoire comprend six transducteurs sur lesquels des fils sont attachés en permanence. Inspecter les six transducteurs pour y rechercher la présence de fils effilochés, coupés ou desserrés. Appeler le centre de services à la clientèle pour obtenir de l'aide.</p> <p><b>C.</b> Si l'un des six transducteurs est manquant, desserré ou n'est pas attaché sur la baignoire, s'adresser au centre de services à la clientèle pour obtenir de l'aide.</p>
<p>2. La musique s'arrête même si une chanson a été sélectionnée correctement, et le voyant d'état clignote en jaune.</p>	<p><b>A.</b> Arrêt thermal.</p> <p><b>B.</b> Erreur d'amplificateur de commande.</p>	<p><b>A.</b> Arrêter le système pendant 1 heure pour permettre à l'appareil de se refroidir. S'assurer que la température de l'emplacement dans lequel l'appareil est installé ne dépasse pas 104°F (40°C). Redémarrer le système. Si le voyant d'état n'est pas allumé de manière solide ou clignote en bleu, consulter le guide d'installation de l'amplificateur de commande.</p> <p><b>B.</b> Appeler le centre de services à la clientèle de Kohler si le voyant DEL d'état de l'amplificateur de commande clignote en jaune une fois que le système a été redémarré.</p>
<p>3. Le voyant DEL d'état ne s'allume pas.</p>	<p><b>A.</b> L'alimentation électrique n'est pas branchée dans la prise.</p> <p><b>B.</b> La connexion de l'alimentation électrique à l'amplificateur de commande est desserrée ou déconnectée.</p> <p><b>C.</b> La prise n'est pas sous tension.</p> <p><b>D.</b> Le disjoncteur s'est déclenché.</p>	<p><b>A.</b> Brancher l'alimentation électrique dans la prise.</p> <p><b>B.</b> Vérifier la connexion de l'alimentation électrique à l'amplificateur de commande et reconnecter si nécessaire.</p> <p><b>C.</b> S'assurer que la prise électrique est sous tension.</p> <p><b>D.</b> Réarmer le disjoncteur.</p>
<p>4. Aucun son à travers les disjoncteurs.</p>	<p><b>A.</b> La chanson est en pause.</p> <p><b>B.</b> L'entrée auxiliaire ou la source BLUETOOTH n'est pas connectée.</p> <p><b>C.</b> Aucun effet vibracoustique n'a été sélectionné sur l'interface utilisateur.</p> <p><b>D.</b> L'amplificateur de commande a été mis en sourdine.</p> <p><b>E.</b> Le volume est trop bas.</p>	<p><b>A.</b> S'assurer qu'une chanson est en train de jouer. Si la chanson est en pause, appuyer sur la fonction de reprise pour continuer la lecture.</p> <p><b>B.</b> S'assurer qu'une chanson joue à partir de l'entrée auxiliaire ou de la source BLUETOOTH.</p> <p><b>C.</b> S'assurer que l'effet vibracoustique a été sélectionné.</p> <p><b>D.</b> Aller à l'écran d'intensité sur l'interface utilisateur et annuler la sourdine de l'amplificateur de commande.</p> <p><b>E.</b> S'assurer que le volume est réglé sur un niveau assez élevé sur l'interface utilisateur et le dispositif auxiliaire.</p>

## Dépannage (cont.)

### Tableau de dépannage de l'amplificateur de commande

Symptômes	Cause probable	Action recommandée
5. L'amplificateur de commande ne se connecte pas à mon appareil BLUETOOTH.	<p>A. L'appareil BLUETOOTH ne se trouve pas dans la portée prévue.</p> <p>B. L'appareil BLUETOOTH n'est pas apparié avec l'amplificateur de commande.</p>	<p>A. S'assurer que l'appareil BLUETOOTH est compris dans la portée de l'amplificateur de commande. Dans des conditions normales, la portée maximale est de 30' (9,14 m).</p> <p>B. Appairer l'appareil BLUETOOTH avec l'amplificateur de commande selon les instructions d'appariement pour l'appareil BLUETOOTH.</p>
6. Le voyant DEL d'état est bleu, mais le signal audio est intermittent.	<p>A. Le signal de l'appareil BLUETOOTH est faible.</p>	<p>A. Amener l'appareil BLUETOOTH plus près de l'emplacement de l'amplificateur de commande. Dans des conditions normales, la portée maximale est de 30' (9,14 m).</p>

### Tableau de dépannage de la chromothérapie (si présente)

Symptôme	Cause probable	Action recommandée
1. Les lampes de chromothérapie ne fonctionnent pas.	<p>A. L'alimentation à l'amplificateur de commande est coupée.</p> <p>B. L'amplificateur de commande doit être réinitialisé.</p> <p>C. L'amplificateur de commande ne fonctionne pas.</p> <p>D. Les connexions des câbles de chromothérapie ou de l'interface utilisateur sont desserrées ou endommagées.</p> <p>E. L'interface utilisateur ne fonctionne pas correctement.</p> <p>F. La fonction de chromothérapie n'a pas été sélectionnée sur l'interface utilisateur.</p> <p>G. La commande de chromothérapie ne fonctionne pas.</p>	<p>A. Réinitialiser le disjoncteur pour l'amplificateur de commande, puis vérifier l'alimentation électrique et les connexions.</p> <p>B. Débrancher le cordon d'alimentation de l'amplificateur de la prise électrique. Attendre 30 secondes, puis brancher dans l'alimentation électrique et redémarrer.</p> <p>C. Remplacer l'amplificateur.</p> <p>D. Inspecter les câbles afin d'y rechercher des connexions desserrées ou un endommagement. Remplacer les câbles selon les besoins.</p> <p>E. Vérifier que le câble de l'interface utilisateur est bien connecté à l'interface utilisateur et à la connexion de l'interface utilisateur sur l'amplificateur. Si les connexions sont adéquates, remplacer l'interface utilisateur.</p> <p>F. Sélectionner la fonction de chromothérapie sur l'interface utilisateur.</p> <p>G. Remplacer la commande de chromothérapie.</p>
2. Les lampes de chromothérapie ne passent pas par toutes les couleurs.	<p>A. L'amplificateur de commande doit être réinitialisé.</p>	<p>A. Débrancher le cordon d'alimentation de l'amplificateur de la prise électrique. Attendre 30 secondes, puis brancher dans l'alimentation électrique et redémarrer.</p>

## Dépannage (cont.)

### Tableau de dépannage de la chromathérapie (si présente)

Symptôme	Cause probable	Action recommandée
	<p><b>B.</b> Les connexions des câbles de chromathérapie ou de l'interface utilisateur sont desserrées ou endommagées.</p> <p><b>C.</b> L'interface utilisateur ne fonctionne pas correctement.</p> <p><b>D.</b> Si aucune des actions recommandées ne corrige le problème, contacter Kohler Co.</p>	<p><b>B.</b> Inspecter les câbles pour y rechercher des connexions desserrées ou un endommagement. Remplacer les câbles selon les besoins.</p> <p><b>C.</b> Faire un cycle de toutes les fonctions de lampes de chromathérapie. Si les lampes ne passent pas par toutes les couleurs et si l'icône bleue sur l'interface utilisateur n'est pas allumée, remplacer l'interface utilisateur.</p> <p><b>D.</b> Contacter le service d'assistance à la clientèle en utilisant les coordonnées fournies sur la couverture arrière.</p>
<p><b>3.</b> Les lampes de chromathérapie restent bloquées sur une couleur.</p>	<p><b>A.</b> L'amplificateur de commande doit être réinitialisé.</p> <p><b>B.</b> L'interface utilisateur ne fonctionne pas correctement.</p> <p><b>C.</b> Les connexions des câbles de chromathérapie ou de l'interface utilisateur sont desserrées ou endommagées.</p> <p><b>D.</b> Si aucune des actions recommandées ne corrige le problème, contacter Kohler Co.</p>	<p><b>A.</b> Débrancher le cordon d'alimentation de l'amplificateur de la prise électrique. Attendre 30 secondes, puis brancher dans l'alimentation électrique et redémarrer.</p> <p><b>B.</b> Faire un cycle de toutes les fonctions des lampes de chromathérapie. Si les lampes ne passent pas par toutes les couleurs et si l'icône bleue sur l'interface utilisateur n'est pas allumée, remplacer l'interface utilisateur.</p> <p><b>C.</b> Inspecter les câbles afin d'y rechercher des connexions desserrées ou un endommagement. Remplacer les câbles selon les besoins.</p> <p><b>D.</b> Contacter le service d'assistance à la clientèle en utilisant les coordonnées fournies sur la couverture arrière.</p>

# Guía de instalación

## Bañera vibracústica

### INSTRUCCIONES IMPORTANTES



**ADVERTENCIA:** Al usar aparatos eléctricos siempre cumpla las precauciones básicas, como las siguientes:



**ADVERTENCIA: Riesgo de sacudidas eléctricas.** Solamente conecte a un circuito protegido por un interruptor de circuito con pérdida a tierra (GFCI)\*.



**ADVERTENCIA: Riesgo de sacudidas eléctricas.** Un electricista calificado debe tender todo el cableado eléctrico.



**ADVERTENCIA: Riesgo de sacudidas eléctricas.** Desconecte el suministro eléctrico antes de dar servicio.



**ADVERTENCIA: Riesgo de sacudidas eléctricas.** No haga funcionar dispositivos auxiliares de audio eléctricos cerca del agua.



**ADVERTENCIA: Riesgo de lesiones personales o de daños a la propiedad.** Lea atentamente todas las instrucciones antes de comenzar la instalación.

**AVISO: Cumpla todos los códigos de plomería, eléctricos y de construcción.** En Canadá, instale la unidad conforme al Código Eléctrico Canadiense, Parte 1.

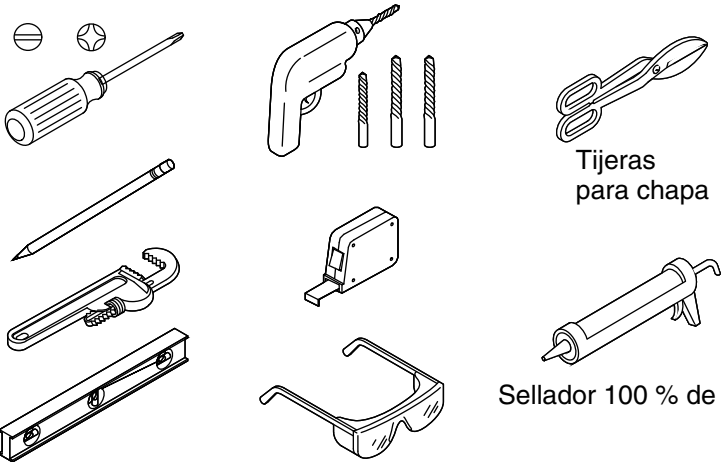
**AVISO: Se requiere conexión a tierra.** Un representante de servicio autorizado debe instalar esta unidad y conectarla a tierra.

**AVISO:** Si el cable de suministro eléctrico está dañado debe ser reemplazado por el fabricante, por su agente de servicio o por personas igualmente calificadas para así evitar el peligro.

**AVISO:** Deje un espacio libre mínimo de 6" (152 mm) alrededor del amplificador de control para que fluya bien el aire.

\*Fuera de Estados Unidos es posible que este dispositivo se conozca como dispositivo de corriente residual (RCD, por sus siglas en inglés).

## Herramientas y materiales



### Más:

- Herramientas y materiales convencionales de trabajo en madera
- Maderos de 2x4
- Lona
- Cemento mortero (opcional)
- Adhesivo de construcción (opcional)
- Película plástica (Opcional)
- Espaciadores de 1/8" (3 mm)

## Antes de comenzar

**AVISO:** El piso debe proporcionar el soporte adecuado. Anote el **número de modelo** que está en el lado posterior de la bañera, y luego consulte información adicional en la página del producto en [www.kohler.com](http://www.kohler.com).

**AVISO:** No apoye el peso de la bañera sobre el reborde. Planee instalar cuñas bajo la bañera cuando sea necesario para nivelarla.

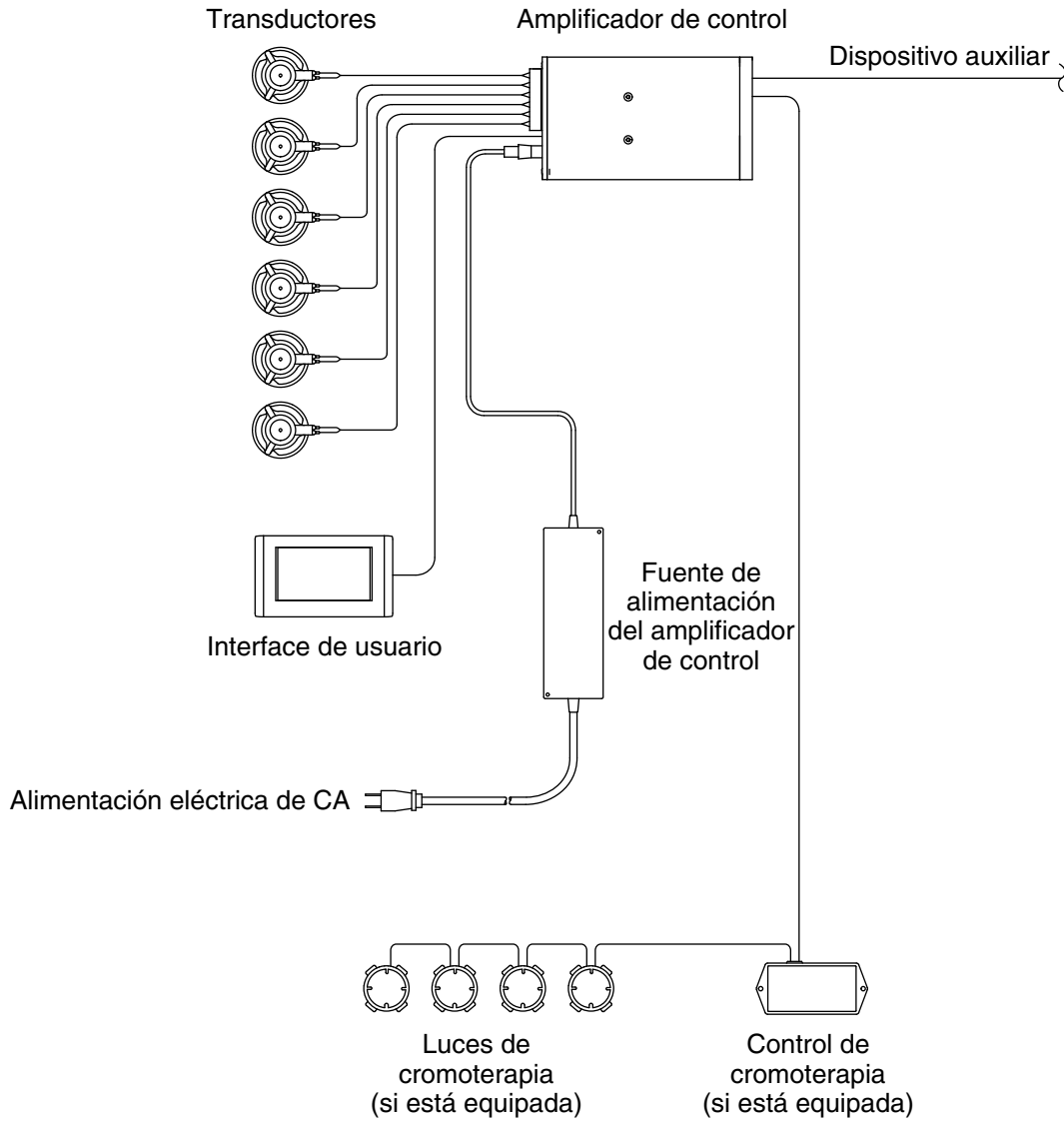
**AVISO:** Verifique que haya soporte adecuado, si va a instalar una grifería de montaje al reborde o a la cubierta. Las griferías grandes, que pudieran utilizarse accidentalmente como apoyo, no son seguras para esta instalación.

- Cumpla todos los códigos locales y estatales de plomería, construcción y eléctricos.
- Desempaque la bañera y verifique que no esté dañada. Vuelva a colocar la bañera en la caja hasta que la vaya a instalar.
- Antes de comenzar la instalación, lea estas instrucciones y determine la ubicación de todos los componentes que se requieran.
- Esta bañera está diseñada para instalaciones de sobreponer, encajonada entre tres paredes, de montaje por abajo o en isla.
- Determine la ubicación del amplificador de control si se va a instalar a distancia. El amplificador de control incluye una fuente de alimentación eléctrica con un cable de suministro eléctrico de 36" (914 mm) y un cable de conexión de 25' (7,6 m).
- Un electricista calificado debe instalar un tomacorriente con GFCI o RCD de 120 V, 15 A dentro de la estructura de postes de madera, a menos de 24" (610 mm) del amplificador de control. La interface de usuario, los transductores y la cromoterapia (si está equipada), se activan a través de las conexiones con el amplificador de control.
- Utilice tubo conduit para tender los cables de alimentación eléctrica desde el interruptor de circuitos.
- Planee con cuidado cómo mover la bañera al área de instalación. Esta bañera no cabe fácilmente por los marcos de las puertas.
- Instale la bañera sobre un subpiso nivelado. Si el subpiso está disperejo, es posible que sea necesario instalar cuñas.
- Construya la estructura con las dimensiones correctas.



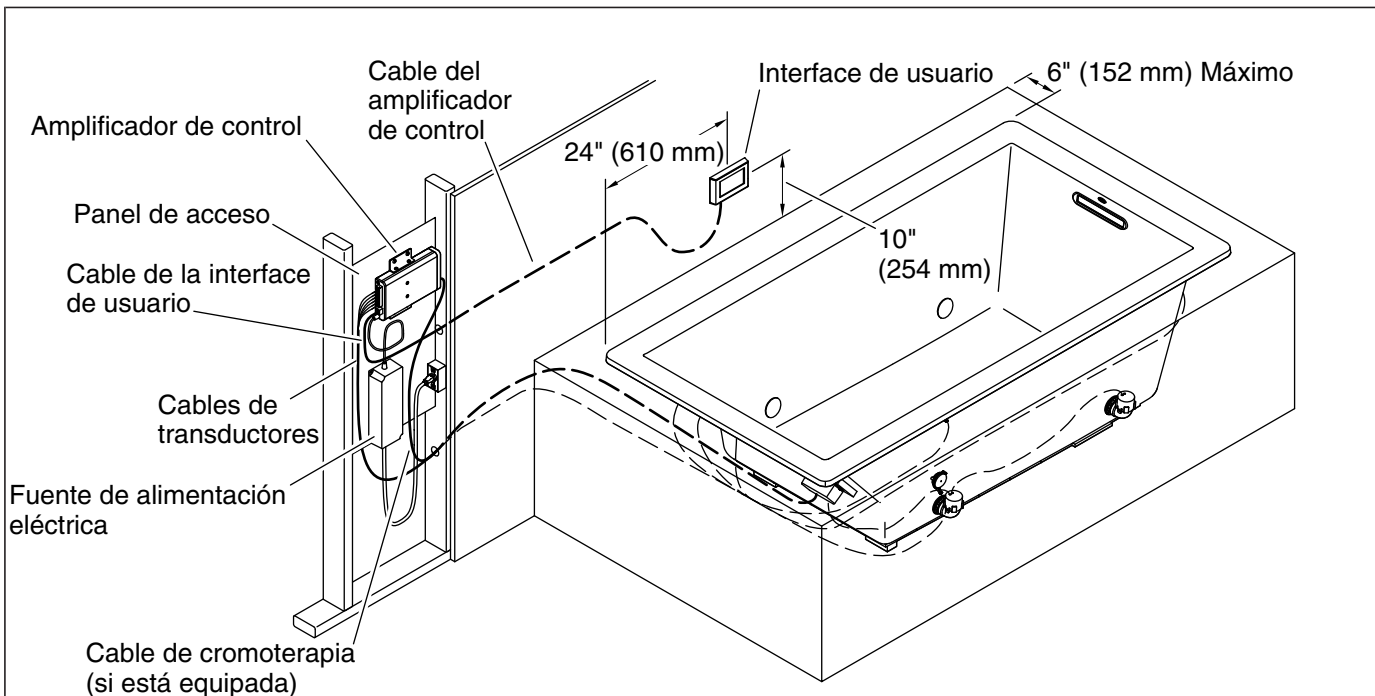
### **Antes de comenzar (cont.)**

- El área del fondo de la bañera no requiere soporte adicional, siempre que el subpiso esté nivelado y a escuadra con la estructura de postes.
- Planee el espacio adecuado de montaje y conexión de la grifería.
- Esta bañera satisface la norma CSA B45.5/IAPMO Z124. Todas las dimensiones son nominales.



## Componentes

**Sistema vibracústico y cromoterapia (si están equipados)**



## Secuencia de instalación

**¡IMPORTANTE!** Varios componentes incluidos reciben energía eléctrica del amplificador de control mediante cables de conexión de 25' (7,6 m). Planee la ubicación del amplificador de control, de forma que los cables de conexión alcancen sin quedar tensos.

Para obtener los mejores resultados, siga la secuencia de instalación a continuación. Las instrucciones detalladas se encuentran en las páginas siguientes de este guía.

La ilustración de arriba muestra una instalación típica con los lugares preferidos para la interface de usuario y el amplificador de control. La instalación será similar, dependiendo de su bañera.

### Secuencia de instalación recomendada

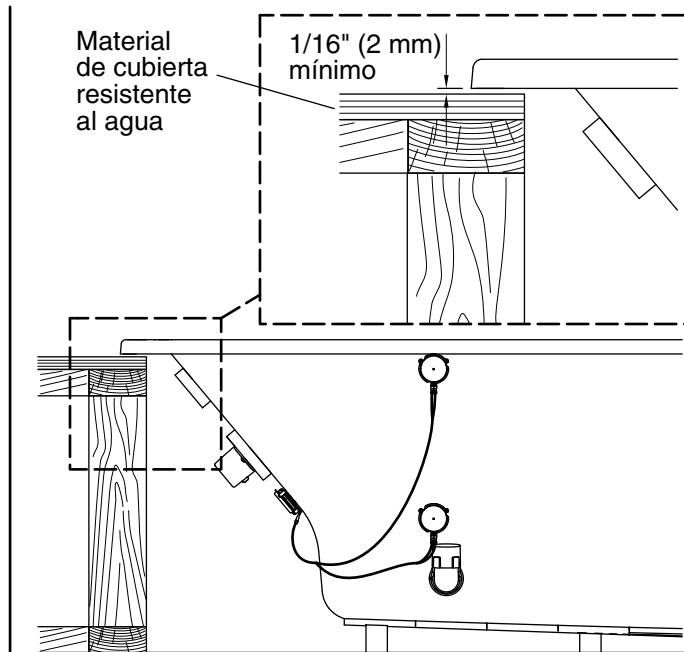
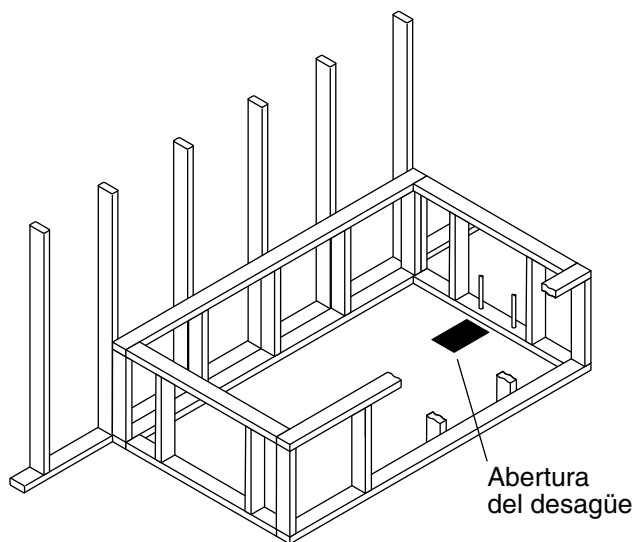
- Determine la ubicación de los componentes de la bañera. Consulte las ubicaciones de preferencia en la ilustración.
- Determine la ubicación adecuada del panel de acceso para poder dar servicio al amplificador de control.

**AVISO:** Forme el marco de la bañera con postes de madera. Las estructuras de metal pueden afectar adversamente la calidad vibracústica del producto.

- Construya la estructura de postes de madera para su bañera.
- Instale el material sin terminar de la cubierta.
- Tienda las líneas de suministro y de desagüe de plomería para la bañera.
- Instale la bañera y el desagüe.
- Tienda los cables de los transductores a la ubicación del amplificador de control.
- Instale un tomacorriente a menos de 24" (610 mm) del área elegida para el amplificador de control.
- Si la cromoterapia está equipada, tienda el cable de cromoterapia al área elegida para el amplificador de control.
- Tienda el cable de la interface de usuario desde el área del amplificador de control hasta la ubicación de la interface de usuario.
- Instale el amplificador de control.

### **Secuencia de instalación (cont.)**

- Conecte los cables de los transductores, de la interface de usuario, del dispositivo auxiliar opcional (si se usa), y de cromoterapia (si está equipada) al amplificador de control.
- Termine las paredes y la cubierta, e instale el panel de acceso requerido para el amplificador de control.
- Conecte el cable de la interface de usuario a la interface de usuario, e instale la interface de usuario.
- Enchufe el amplificador de control en el tomacorriente.
- Pruebe el funcionamiento de todos los componentes de la bañera. Consulte el funcionamiento en la "Guía del usuario".



## 1. Prepare el sitio

**AVISO:** Mida su producto para preparar el lugar. Para ver información adicional, fíjese en el **número de modelo** ubicado en el lado posterior de la bañera, luego visite la página del producto en [www.kohler.com](http://www.kohler.com).

### Piso

- Proporcione el soporte adecuado para la bañera.
- Verifique que el subpiso esté nivelado.
- Instale soporte adicional y ajuste la nivelación, según sea necesario.

### Estructura de postes

**¡IMPORTANTE!** No apoye la bañera sobre el reborde. La bañera debe quedar soportada solamente por los bloques de soporte. Planee instalar cuñas bajo la bañera cuando sea necesario para nivelarla.

**¡IMPORTANTE!** Cada uno de los cables de conexión del amplificador de control a los componentes de la bañera mide 25' (7,6 m) de longitud. Con cuidado planee y coloque el amplificador de control, de manera que estos cables tendidos alcancen fácilmente sin quedar tensos.

**AVISO:** Esta bañera está diseñada para instalaciones de sobreponer, encajonada entre tres paredes, de montaje por abajo o en isla.

**AVISO:** Utilice una estructura de postes de madera. La estructura de madera permite la mejor calidad vibracústica.

**AVISO:** Si va a instalar el amplificador de control entre postes de madera, la separación entre estos postes debe ser 16" (406 mm).

**NOTA:** La estructura de madera ilustrada no contiene la pared acabada ni los materiales de cubierta. Al construir la estructura de postes planee espacio para el espesor del material de la cubierta y de la pared acabada.

- Construya la estructura de postes, y tome en cuenta el grosor de la pared acabada y de los materiales de la cubierta.

### **Prepare el sitio (cont.)**

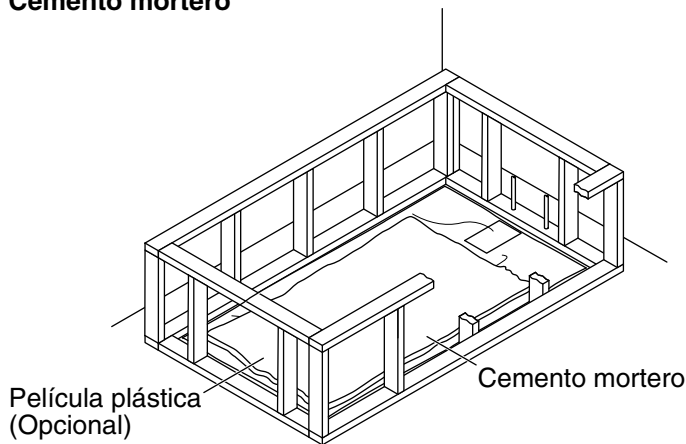
- **En instalaciones de sobreponer**, deje una separación de 1/16" (2 mm) entre el lado inferior del reborde de la bañera y la estructura de madera para asegurar que la bañera no quede apoyada por el reborde.
- **En instalaciones de montaje por abajo**, deje una separación de 1/16" (2 mm) entre la estructura de madera y la superficie superior del reborde de la bañera para asegurar que el peso de la estructura no quede apoyado en el reborde de la bañera.
- Construya un marco estructural o una cavidad para el amplificador de control.
- Planee una manera de tender el cable desde la interface de usuario a través de la pared hasta el amplificador de control.

### **Plomería**

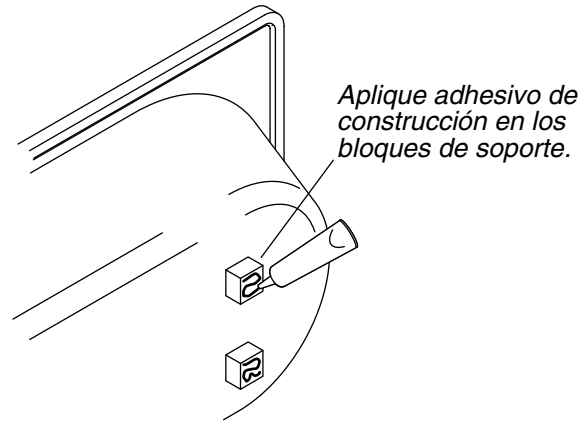
**NOTA: En instalaciones con desagüe a través del piso:** Haga un orificio en el subpiso para las conexiones del desagüe.

- Instale la plomería de desagüe y de suministro de agua de acuerdo al diseño.
- Tape los suministros y verifique que no haya fugas.
- Fije el desagüe a la bañera de acuerdo a las instrucciones empacadas con el desagüe. **Todavía no conecte la trampa.**

### Cemento mortero



### Adhesivo de construcción



## 2. Instale la bañera

**¡IMPORTANTE!** Use espaciadores con un máximo de 1/8" (3 mm) de espesor bajo el reborde de la bañera para asegurar que el reborde no haga contacto con la cubierta.

**AVISO:** Antes de continuar, asegúrese de que el subpiso esté nivelado. Utilice cuñas cuando sea necesario.

**AVISO:** Planee una manera de tender el cable desde la interface de usuario a través de la pared hasta el amplificador de control.

□ Fije la bañera mediante uno de los dos métodos siguientes.

### Capa de cemento mortero

**AVISO:** No utilice cemento de yeso o pasta para paneles de yeso, ya que estos materiales no proporcionan adherencia duradera.

**NOTA:** Si lo desea, puede colocar una película plástica sobre subpisos de madera para evitar la absorción de humedad.

- Extienda una capa de 2" (51 mm) de espesor de cemento mortero en el subpiso.
- Con ayuda, coloque con cuidado la bañera en su lugar. Tenga cuidado para evitar dañar cualquiera de los componentes montados a la bañera.
- Use espaciadores de un máximo de 1/8" (3 mm) bajo el reborde de la bañera de manera que el reborde no haga contacto con la cubierta.
- Verifique que la bañera quede nivelada. Cambie la posición o coloque cuñas si es necesario.
- Coloque una lona limpia en el fondo de la bañera para proteger la superficie de la bañera.
- Ponga peso en el fondo de la bañera hasta que el cemento mortero cure.

### Adhesivo de construcción

- Aplique bastante adhesivo de construcción de alta calidad en la parte inferior de los bloques de soporte.
- Con ayuda, baje con cuidado la bañera a su lugar. Tenga cuidado para evitar dañar los componentes montados en la bañera.
- Use espaciadores de un máximo de 1/8" (3 mm) bajo el reborde de la bañera de manera que el reborde no haga contacto con la cubierta.
- Verifique que la bañera esté nivelada y apoyada sobre todos los bloques de soporte. Cambie la posición o coloque cuñas si es necesario.
- Coloque una lona limpia en el fondo de la bañera para proteger la superficie de la bañera.

## Instale la bañera (cont.)

- Ponga peso en el fondo de la bañera hasta que el adhesivo cure.

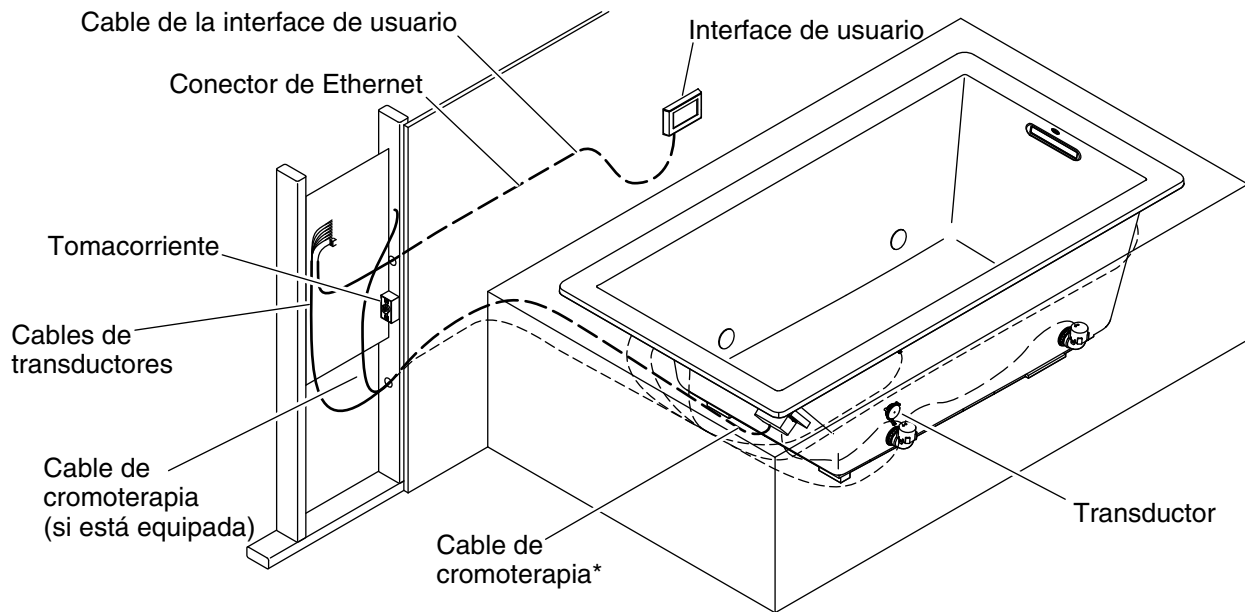
## 3. Instale la plomería



**PRECAUCIÓN: Riesgo de daños a la propiedad.** Asegure un sello hermético en todas las conexiones del desagüe de la bañera para evitar fugas de agua.

- Conecte el desagüe a la trampa.
- Instale la válvula de la grifería de acuerdo a las instrucciones del fabricante de la grifería. **No instale la guarnición de la grifería en este momento.**
- Abra los suministros de agua fría y caliente. Revise que no haya fugas en las conexiones.
- Llene la bañera hasta el rebosadero, y revise que las conexiones del desagüe no tengan fugas.



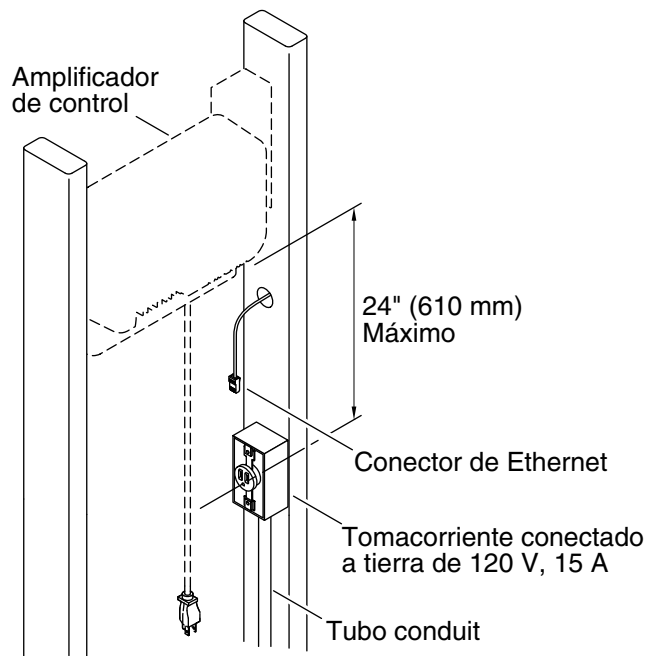


#### 4. Tienda los cables

**¡IMPORTANTE!** Varios de los componentes incluidos de la bañera reciben energía del amplificador de control por cables de 25' (7,6 m). Planee la ubicación del amplificador de control, de manera que los cables alcancen sin quedar tensos.

- Con cuidado corte el sujetacables que fijan los cables en espiral de los transductores al lado posterior de la bañera.
- Tienda los cables de los transductores a través de los postes de madera hasta la ubicación del amplificador de control, taladrando orificios de 1" (52 mm) donde sea necesario.
- Si la bañera está equipada con cromoterapia, tienda el cable de cromoterapia desde la bañera hasta donde el amplificador vaya a ser instalado. Siga la misma ruta que la de los cables de los transductores.
- Tienda el cable de la interface de usuario a través de la estructura de postes, desde la ubicación de la interface de usuario hasta el lugar planeado para el amplificador de control. Asegúrese de que el conector estilo Ethernet quede en el extremo del amplificador de control. Incluya un lazo de goteo.

**NOTA:** Si se usa, tienda un cable de entrada auxiliar (no se incluye) hasta la ubicación del amplificador de control.



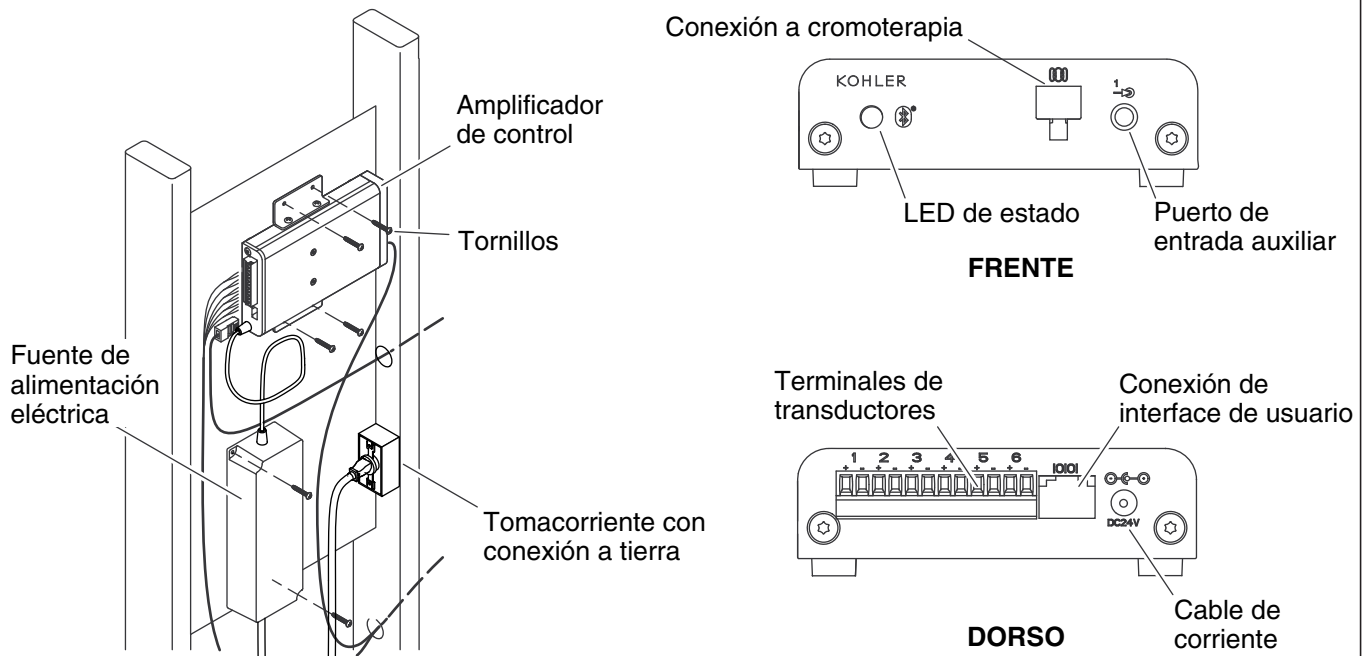
## 5. Haga las conexiones eléctricas



**ADVERTENCIA: Riesgo de sacudidas eléctricas.** Desconecte el suministro eléctrico antes de realizar los siguientes procedimientos.

**AVISO:** Un electricista calificado debe instalar un tomacorriente dedicado conectado a tierra, de 120 V, 15 A con protección mediante un interruptor GFCI o RCD.

- Instale un tomacorriente con conexión a tierra de 120 V, 15 A, dentro de la estructura de postes en la pared, y a menos de 24" (610 mm) del lugar planeado para el amplificador de control. Tienda los cables por tubo conduit en esta instalación de tomacorriente.



## 6. Instale el amplificador de control



**ADVERTENCIA: Riesgo de sacudidas eléctricas.** Conecte el amplificador de control a un tomacorriente conectado a tierra apropiadamente, protegido por un interruptor de circuito con pérdida a tierra (GFCI) o dispositivo de corriente residual (RCD). No quite la clavija de conexión a tierra del enchufe ni utilice un adaptador de conexión a tierra.

**¡IMPORTANTE!** Mantenga los materiales de aislamiento alejados del amplificador de control. Deje un espacio libre, sin obstrucciones, alrededor del amplificador de control para permitir que se enfríe.

**NOTA:** El amplificador de control puede colocarse vertical u horizontalmente.

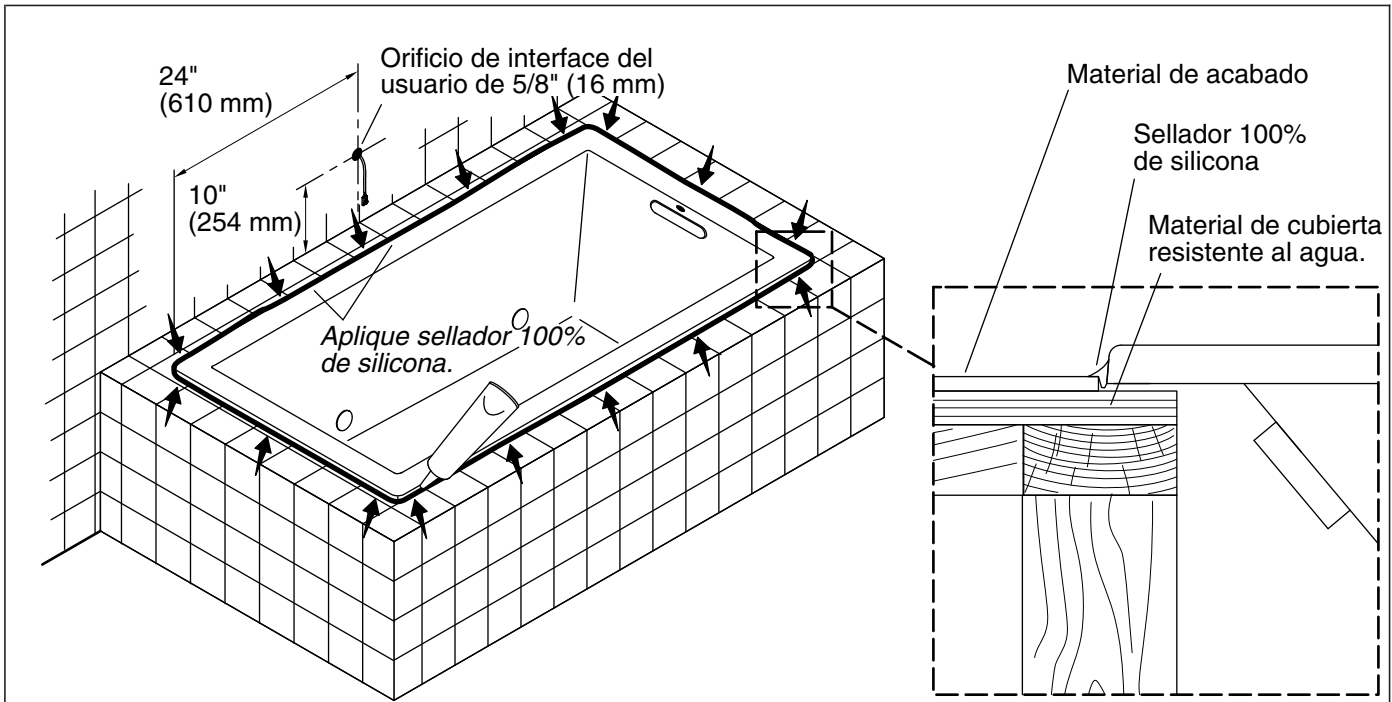
- Saque el amplificador de control de la caja.
- Instale los soportes de montaje al amplificador de control.
- Coloque el amplificador de control al ras o empotrado con respecto al frente de los postes de madera.
- Utilice los tornillos para madera, que se incluyen, para fijar el amplificador de control a la estructura de madera. Utilice los anclajes, que se incluyen, si va a fijar a un material de pared que no sea madera.

**NOTA:** Los terminales de los transductores y los cables están numerados para identificar las conexiones correctas. Cuando se requiera, el amplificador de control se puede retirar para facilitar la conexión de los cables.

- Conecte **firmemente** los cables de los transductores a los terminales de los transductores en el amplificador de control. Los cables blancos con negro son los terminales positivos (+) y los cables blancos son los terminales negativos (-).
- Si la cromoterapia está equipada, conecte el conector de cromoterapia al terminal de cromoterapia en el amplificador de control.
- Conecte el conector transparente en el cable de la interface de usuario a la conexión de la interface de usuario del amplificador de control.
- Si se usa, conecte el conector de entrada auxiliar a la conexión de entrada auxiliar en el amplificador de control.

### **Instale el amplificador de control (cont.)**

- Enchufe el suministro eléctrico al tomacorriente. Asegúrese de que el otro extremo del suministro eléctrico quede conectado a la conexión de entrada de suministro eléctrico en el amplificador de control.



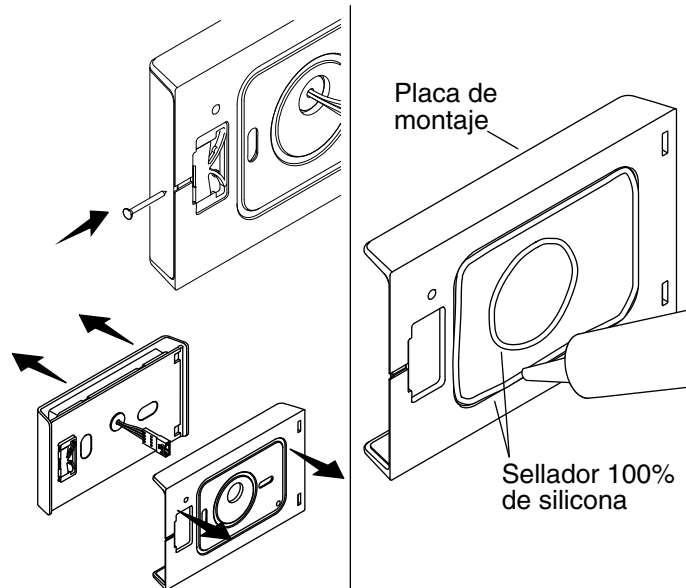
## 7. Termine las paredes acabadas

- Cubra la estructura de postes de madera con material resistente al agua.
- **Deje acceso adecuado** al amplificador de control.
- Instale los materiales de acabado de la pared y la cubierta.
- Taladre un orificio de 5/8" (16 mm) a través del material de la pared donde se vaya a instalar la interface de usuario. Consulte la sección "Secuencia de instalación" para la ubicación recomendada.
- Tienda el cable de la interface de usuario a través del orificio del material de la pared, y fije el cable con cinta u otro medio, de manera que no se caiga entre las paredes.

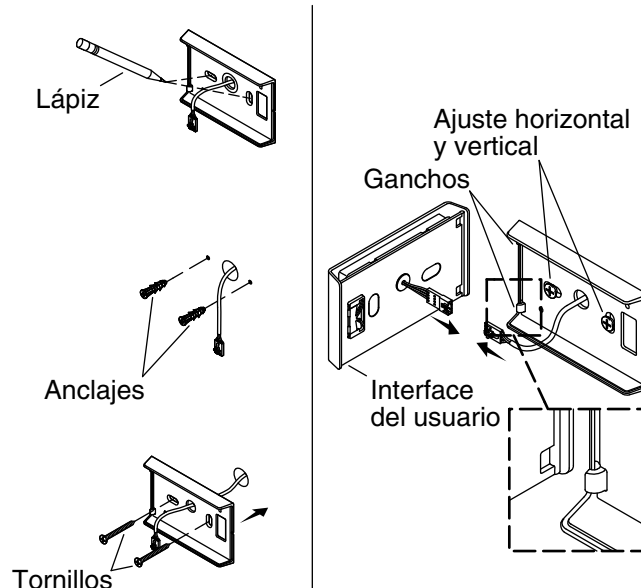
**¡IMPORTANTE!** Kohler Co. recomienda enfáticamente el uso de sellador 100 % de silicona, como se indica. Debe evitarse el uso de otros selladores con alto contenido de relleno, ya que pueden encogerse, separarse o despegarse al paso del tiempo

- Selle las juntas entre el reborde de la bañera y la cubierta acabada con un hilo continuo de sellador 100 % de silicona de 1/8" (3 mm).
- Instale la guarnición de la grifería.

### Vista posterior



### Vista frontal



## 8. Instale la interface de usuario

**¡IMPORTANTE!** No permita que el cable que pasa a través del orificio de la pared se caiga dentro de la pared.

- Empuje un clavo delgado en la ranura del lado posterior de la interface de usuario para separar la interface de la placa de montaje.
- Coloque la placa de montaje sobre el cable y contra la pared acabada, de manera que los ganchos queden a la izquierda.
- Nivele la placa de montaje y marque la ubicación de los orificios para tornillos en la pared.
- Retire la placa de montaje y taladre orificios de 1/4" en los lugares marcados.
- Introduzca en los orificios los anclajes de pared, que se incluyen.
- Aplique un hilo continuo de sellador 100 % de silicona en las dos ranuras del lado posterior de la placa de montaje.
- Coloque la placa de montaje sobre el cable con los ganchos hacia la izquierda, y fije a la pared con los dos tornillos que se incluyen.
- Verifique la nivelación. Si es necesario, afloje los tornillos y ajuste la placa de montaje.
- Conecte el cable a la interface de usuario.
- Enganche el borde de la interface de usuario con los dos ganchos de la placa de montaje, y luego gire la interface de usuario contra la placa de montaje hasta que encajen juntos.
- Consulte la guía del usuario que se incluye con la interface de usuario para configurar, programar y verificar el funcionamiento del producto.

## Resolución de problemas

**AVISO:** El propósito de esta sección es solo ayuda general. Todos los problemas eléctricos deben ser resueltos por un representante de servicio autorizado de Kohler Co. o un electricista calificado. Para obtener el servicio de garantía, llame 1-800-4KOHLER desde EE.UU. y Canadá, o al 001-800-456-4537 desde México.

## Resolución de problemas (cont.)

**NOTA:** Para consultar información sobre piezas de repuesto, visite la página de su producto en [www.kohler.com/serviceparts](http://www.kohler.com/serviceparts).

### Resolución de problemas

Síntomas	Causa probable	Acción recomendada
1. Uno o más transductores no producen sonido, o el sonido es demasiado bajo.	A. El cable de alguno de los transductores no está bien enchufado.	A. Asegúrese de que los cables estén bien instalados en las conexiones del amplificador de control y a los transductores izquierdos y derechos.
2. Uno o más transductores no producen sonido, o el sonido es demasiado bajo.	A. Algún transductor está dañado o no está bien enchufado.	A. Asegúrese de que los cables de los transductores estén bien instalados en los conectores correspondientes positivos (+) y negativos (-) en el amplificador de control.
3. Después de tocar música a alto volumen, la música deja de tocar aunque una pieza musical esté bien seleccionada.	A. Apagado debido a alta temperatura.	A. Apague el sistema durante 1 hora para dejar enfriar la unidad. Asegúrese de que el área donde está instalada la unidad no exceda 104°F (40°C).
4. El LED de estado no se ilumina.	A. La conexión de alimentación eléctrica no está enchufada al tomacorriente. B. Es posible que la conexión de la fuente de suministro eléctrico al amplificador de control esté suelta o desconectada. C. El tomacorriente no recibe alimentación eléctrica. D. El interruptor de circuito se ha disparado.	A. Enchufe el suministro eléctrico al tomacorriente. B. Revise la conexión de la fuente de suministro eléctrico al amplificador de control, y vuelva a conectar si es necesario. C. Asegúrese de que el tomacorriente reciba alimentación eléctrica. D. Restablezca el interruptor de circuito.
5. No se produce sonido a través de los transductores.	A. La pieza musical está en pausa. B. El volumen está muy bajo.	A. Asegúrese de que haya una pieza musical tocando. Si la pieza musical está en pausa, oprima la función de reanudar para continuar. B. Asegúrese de que el volumen esté lo suficientemente alto para poder disfrutarlo.
6. El amplificador de control no se conecta a un dispositivo BLUETOOTH.	A. El dispositivo BLUETOOTH no está dentro de rango de alcance. B. El dispositivo BLUETOOTH no está apareado al amplificador de control.	A. Asegúrese de que el dispositivo BLUETOOTH esté dentro del rango de alcance del amplificador de control. B. Aparee el dispositivo BLUETOOTH al amplificador de control de acuerdo a las instrucciones de apareamiento de su dispositivo BLUETOOTH.
7. La luz LED está azul, pero la señal de audio es intermitente.	A. El dispositivo BLUETOOTH no está dentro del rango de alcance.	A. Acerque el dispositivo BLUETOOTH al amplificador de control.

## Resolución de problemas (cont.)

### Resolución de problemas del amplificador de control

Síntomas	Causa probable	Acción recomendada
1. Uno o más transductores no producen sonido.	<p><b>A.</b> El cable de alguno de los transductores no está bien conectado.</p> <p><b>B.</b> Cables dañados de transductores.</p> <p><b>C.</b> Algún transductor falta, está suelto o no está conectado.</p>	<p><b>A.</b> Asegúrese de que los cables estén bien conectados al amplificador de control. Cada transductor tiene un cable blanco con negro que es el conductor positivo (+), y un cable blanco que es el conductor negativo (-).</p> <p><b>B.</b> La bañera tiene seis transductores con cables conectados de forma permanente. Revise los 6 transductores para ver si hay algún cable deshilachado, cortado o suelto. Comuníquese con el Centro de Atención a Clientes para obtener asistencia.</p> <p><b>C.</b> Si falta alguno de los seis transductores, si hay alguno suelto o no conectado a la bañera, comuníquese con el Centro de Atención a Clientes para obtener asistencia.</p>
2. La música se detiene aunque se haya seleccionado correctamente una pieza musical, y la luz indicadora de estado parpadea en amarillo.	<p><b>A.</b> Apagado debido a alta temperatura.</p> <p><b>B.</b> Error del amplificador de control.</p>	<p><b>A.</b> Apague el sistema durante 1 hora para dejar enfriar la unidad. Asegúrese de que el área donde está instalada la unidad no exceda 104°F (40°C). Vuelva a encender el sistema. Si el indicador de estado no está iluminado de manera sólida o parpadeando en azul, consulte la guía de instalación del amplificador de control.</p> <p><b>B.</b> Comuníquese con el Centro de Atención a Clientes si el indicador de estado LED del amplificador de control parpadea en amarillo después de volver a encender el sistema.</p>
3. El LED de estado no se ilumina.	<p><b>A.</b> La conexión de alimentación eléctrica no está enchufada al tomacorriente.</p> <p><b>B.</b> La conexión de la fuente de suministro eléctrico al amplificador de control está suelta o desconectada.</p> <p><b>C.</b> El tomacorriente no recibe alimentación eléctrica.</p> <p><b>D.</b> El interruptor de circuito se ha disparado.</p>	<p><b>A.</b> Enchufe el suministro eléctrico al tomacorriente.</p> <p><b>B.</b> Revise la conexión de la fuente de suministro eléctrico al amplificador de control, y vuelva a conectar si es necesario.</p> <p><b>C.</b> Asegúrese de que el tomacorriente reciba alimentación eléctrica.</p> <p><b>D.</b> Restablezca el interruptor de circuito.</p>
4. No se produce sonido a través de los transductores.	<p><b>A.</b> La pieza musical está en pausa.</p> <p><b>B.</b> La fuente de entrada auxiliar o de BLUETOOTH no está conectada.</p>	<p><b>A.</b> Asegúrese de que haya una pieza musical tocando. Si la pieza musical está en pausa, oprima la función de reanudar para continuar.</p> <p><b>B.</b> Asegúrese de que haya una pieza musical tocando proveniente de la entrada auxiliar o de un dispositivo BLUETOOTH.</p>



## Resolución de problemas (cont.)

### Resolución de problemas del amplificador de control

Síntomas	Causa probable	Acción recomendada
	<p>C. No se ha seleccionado una experiencia vibracústica en la interface de usuario.</p> <p>D. El amplificador de control ha sido silenciado.</p> <p>E. El volumen está muy bajo.</p>	<p>C. Asegúrese de haber seleccionado la experiencia vibracústica.</p> <p>D. Desactive la función de silenciar el amplificador de control en la pantalla de intensidad en la interface de usuario.</p> <p>E. Asegúrese de que el volumen esté establecido lo suficientemente alto en la interface de usuario y en el dispositivo auxiliar.</p>
5. El amplificador de control no se conecta a mi dispositivo BLUETOOTH.	<p>A. El dispositivo BLUETOOTH no está dentro de rango de alcance.</p> <p>B. El dispositivo BLUETOOTH no está apareado al amplificador de control.</p>	<p>A. Asegúrese de que el dispositivo BLUETOOTH esté dentro del rango de alcance de su amplificador de control. En condiciones normales, el rango de alcance máximo es 30' (9,14 m).</p> <p>B. Aparee el dispositivo BLUETOOTH al amplificador de control de acuerdo a las instrucciones de apareamiento de su dispositivo BLUETOOTH.</p>
6. La luz LED de estado está azul, pero la señal de audio es intermitente.	<p>A. La señal del dispositivo BLUETOOTH es débil.</p>	<p>A. Acerque el dispositivo BLUETOOTH al amplificador de control. En condiciones normales, el rango de alcance máximo es 30' (9,14 m).</p>

### Resolución de problemas de cromoterapia (si está equipada)

Síntoma	Causa probable	Acción recomendada
1. Las luces de cromoterapia no funcionan.	<p>A. No hay suministro eléctrico al amplificador de control.</p> <p>B. Se debe restablecer el amplificador de control.</p> <p>C. El amplificador de control no funciona.</p> <p>D. Las conexiones de los cables de cromoterapia o de la interface de usuario están sueltas o dañadas.</p> <p>E. La interface de usuario no funciona bien.</p> <p>F. La función de cromoterapia no ha sido seleccionada en la interface de usuario.</p>	<p>A. Restablezca el interruptor de circuito al amplificador de control, y luego verifique la fuente de suministro eléctrico y las conexiones.</p> <p>B. Desenchufe del tomacorriente la fuente de suministro eléctrico del amplificador. Espere 30 segundos, y luego enchufe la fuente de suministro eléctrico y vuelva a encender.</p> <p>C. Cambie el amplificador.</p> <p>D. Revise que las conexiones de los cables no estén sueltas ni dañadas. Cambie los cables cuando sea necesario.</p> <p>E. Verifique que el cable de la interface de usuario esté bien conectado a la interface de usuario y a la conexión de la interface de usuario en el amplificador. Si las conexiones están bien, cambie la interface de usuario.</p> <p>F. Seleccione la función de cromoterapia en la interface de usuario.</p>

## Resolución de problemas (cont.)

### Resolución de problemas de cromoterapia (si está equipada)

Síntoma	Causa probable	Acción recomendada
	G. El control de cromoterapia no funciona.	G. Cambie el control de cromoterapia.
2. Las luces de cromoterapia no cambian de color en el ciclo de todos los colores.	<p>A. Se debe restablecer el amplificador de control.</p> <p>B. Las conexiones de los cables de cromoterapia o de la interface de usuario están sueltas o dañadas.</p> <p>C. La interface de usuario no funciona bien.</p> <p>D. Si ninguna de las acciones recomendadas corrige el problema, comuníquese con Kohler Co.</p>	<p>A. Desenchufe del tomacorriente la fuente de suministro eléctrico del amplificador. Espere 30 segundos, y luego enchufe la fuente de suministro eléctrico y vuelva a encender.</p> <p>B. Revise que las conexiones de los cables no estén sueltas ni dañadas. Cambie los cables cuando sea necesario.</p> <p>C. Circule por todas las funciones de las luces de cromoterapia. Si las luces no pasan por el ciclo de todos los colores y el ícono azul de la interface de usuario no se ilumina, cambie la interface de usuario.</p> <p>D. Comuníquese con el Centro de Atención a Clientes mediante la información de contacto en la contraportada.</p>
3. Las luces de cromoterapia se quedan bloqueadas en un color.	<p>A. Se debe restablecer el amplificador de control.</p> <p>B. La interface de usuario no funciona bien.</p> <p>C. Las conexiones de los cables de cromoterapia o de la interface de usuario están sueltas o dañadas.</p> <p>D. Si ninguna de las acciones recomendadas corrige el problema, comuníquese con Kohler Co.</p>	<p>A. Desenchufe del tomacorriente la fuente de suministro eléctrico del amplificador. Espere 30 segundos, y luego enchufe la fuente de suministro eléctrico y vuelva a encender.</p> <p>B. Circule por todas las funciones de las luces de cromoterapia. Si las luces no pasan por el ciclo de todos los colores y el ícono azul de la interface de usuario no se ilumina, cambie la interface de usuario.</p> <p>C. Revise que las conexiones de los cables no estén sueltas ni dañadas. Cambie los cables cuando sea necesario.</p> <p>D. Comuníquese con el Centro de Atención a Clientes mediante la información de contacto en la contraportada.</p>



USA/Canada: 1-800-4KOHLER

México: 001-800-456-4537

[kohler.com](http://kohler.com)

THE BOLD LOOK  
OF **KOHLER**®

©2019 Kohler Co.

1297608-2-C