

Installation and Care Guide

Whirlpool Bath with Airjets

Standard Installation

Retain serial number for reference.
Conserver le numéro de série pour référence.
Guarde el número de serie para referencia: _____
Français, page "Français-1"
Español, página "Español-1"

THE BOLD LOOK
OF **KOHLER**®

Installation Instructions



WARNING: When using electrical products, basic precautions should always be followed, including the following:



DANGER: Risk of electric shock. Connect only to a circuit protected by a Ground-Fault Circuit-Interrupter (GFCI)*.

Building materials and wiring should be routed away from the whirlpool pump, blower motor, and other heat-producing components of the unit.

Install to permit access for servicing.

A pressure wire connector marked "Earth/Ground" is provided within the wiring compartment. To reduce the risk of electric shock, connect this connector to the grounding terminal of your electric service or supply panel with copper wire equivalent in size to the circuit conductor supplying this equipment.

A pressure wire connector is provided on the exterior of the pump or control within this unit to permit connection of a bonding conductor between this unit and all the other exposed metal in the vicinity, as needed to comply with local requirements.

Grounding is required. The unit should be installed by a qualified service representative, and grounded.



WARNING: Risk of injury or property damage. Please read all instructions thoroughly before beginning installation, including the following requirements.



WARNING: Risk of electric shock. A qualified electrician should make all electrical connections.



WARNING: Risk of electric shock. Disconnect power before servicing.

NOTICE: Follow all local plumbing and electrical codes. In Canada, install this unit in accordance with the Canadian Electrical Code, Part 1.

*Outside North America, this device may be known as a Residual Current Device (RCD).

Product Information

Electrical Requirements

The installation must have Class A Ground-Fault Circuit-Interrupters (GFCI's). The GFCI's protect against line-to-ground shock hazards. **Use 120 V, 15 A, 60 Hz dedicated services for the pump motor and blower.**

"H" models require a separate 120 V, 15 A, 60 Hz dedicated service for the heater.

If a power supply cord is damaged, it must be replaced by the manufacturer, its service agent or similarly qualified persons in order to avoid a hazard. The heater supply cord cannot be replaced. If the heater supply cord is damaged the heater must be replaced.

Product Notices



WARNING: Unauthorized modification may cause unsafe operation and poor performance of the bath. Do not relocate the whirlpool pump motor or blower motor, or make other modifications to the bath system, as this could adversely affect the performance and safe operation of the product. Kohler Co. shall not be liable under its warranty or otherwise for personal injury or damage caused by any such unauthorized modification.

NOTICE: Keep the area around the blower clean and free of debris. Ensure that the area around the blower is free of sawdust, insulation, dirt, and other small loose debris. Such material can block the blower air ducts and reduce the air flow through the blower.

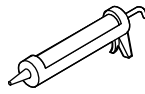
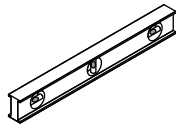
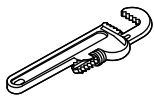
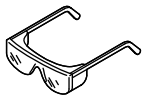
NOTICE: This product contains an automatic water purge mode that turns the blower on for 2 minutes about 30 minutes after the unit is turned off and drained.

Product Information (cont.)

Features

Factory-installed components include a pump motor, heater (H models), and blower motor (each with a separate power supply cord), whirlpool jets, air piping, air switch, and user keypad. Other than electrical wiring and plumbing, no assembly is needed.

Tools and Materials



Plus:

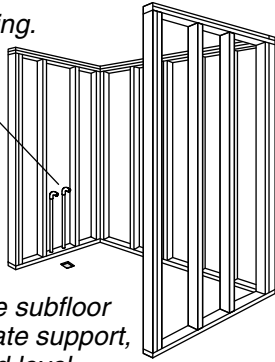
- Conventional Woodworking Tools and Materials
- Drop Cloth
- Construction Adhesive (Optional)
- Cement* or Mortar (Optional)
- 2x4s

* *Do not use gypsum cement.*

100% Silicone Sealant

Alcove

Position the rough plumbing.



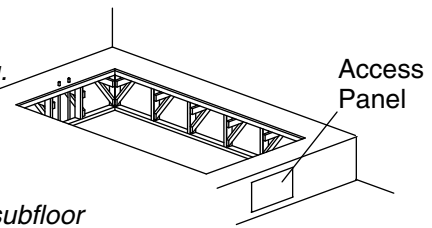
Construct 2x4 stud framing according to the product dimensions.

Verify that the subfloor offers adequate support, and is flat and level.

Drop-In

Position the rough plumbing.

Construct according to the product dimensions.



Verify that the subfloor offers adequate support, and is flat and level.

1. Prepare the Site

NOTICE: Measure your actual product for site preparation. Note the **model number** located on the pump/blower end of the bath, then visit the product page at www.kohler.com for more information.

NOTICE: Drop-in models are **not** intended for alcove installation. Use a flanged model for alcove areas.

NOTICE: Provide adequate ventilation and a minimum 15 cubic feet (.4 cubic meters) of air space in the installed location for cooling the motor and to supply sufficient air for the blower. Do not install the blower motor closer than 1" (25 mm) from the wall or other objects.

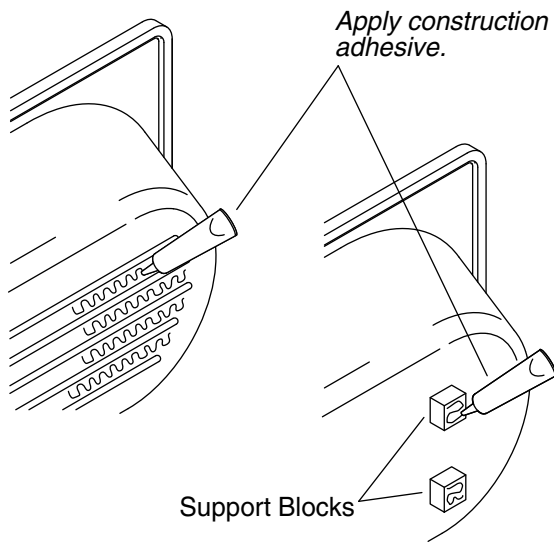
NOTICE: Provide generous, unrestricted access to the pump and blower. You must provide access immediately next to the pump, blower, and controls for servicing.

NOTICE: Do not support the weight of the bath by the rim.

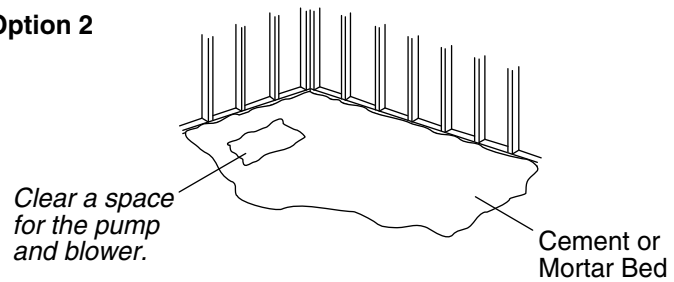
NOTE: Drop-in or alcove installation is possible, depending on the product chosen.

- Carefully unpack and inspect the new bath for damage before installation. If there is damage do not install the bath; contact your dealer.
- Make sure the flooring offers adequate support for your bath, and verify that the subfloor is flat and level.
- Construct 2x4 stud framing.
- Install an access panel on the pump/blower end of the bath for servicing. The access panel must be at least 30" (762 mm) wide by 15" (381 mm) high.
- Install the rough plumbing.
- Install the drain to the bath according to the drain manufacturer's instructions.
- Protect the bath surface by positioning a clean drop cloth in the basin bottom.

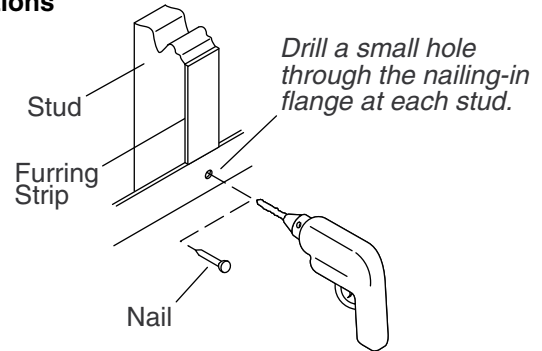
Option 1



Option 2



Alcove Installations



2. Install the Bath

NOTICE: Do not lift the bath by the piping or blower, or use the piping or blower for structural support of the bath. To avoid damage to the bath, lift by the rim at the sides of the bath.

- If the subfloor is not level, shim the bath support blocks as necessary.
- **Option 1: Construction adhesive:** Apply a generous amount of high-quality construction adhesive to the bottom of the support blocks or molded supports.
- **Option 2: Cement or mortar bed:** Apply 1" (25 mm) to 2" (51 mm) of mortar cement in the installation area. Do not use gypsum cement or drywall compound, as they will not provide an acceptable, durable bond.

IMPORTANT! Use care not to pinch or crush the flexible tubing as the bath is placed into position.

- With help, carefully lift the bath into position. Shift the flexible tubing away from any pinch points.

Cut the Pump Banding Straps

IMPORTANT! Perform this step to make the whirlpool operate more quietly.

- Cut the two pump banding straps from the whirlpool pump.

NOTE: Do not raise the pump higher than it was before you cut the straps. If the pump is raised too high, it will not prime properly. Make sure the rubber isolation feet are in place.

Drop-In Installation

- Install the drain tee and tailpiece. Secure the tailpiece into the trap.
- Install the faucet valve.
- Check the drain connections for leakage.

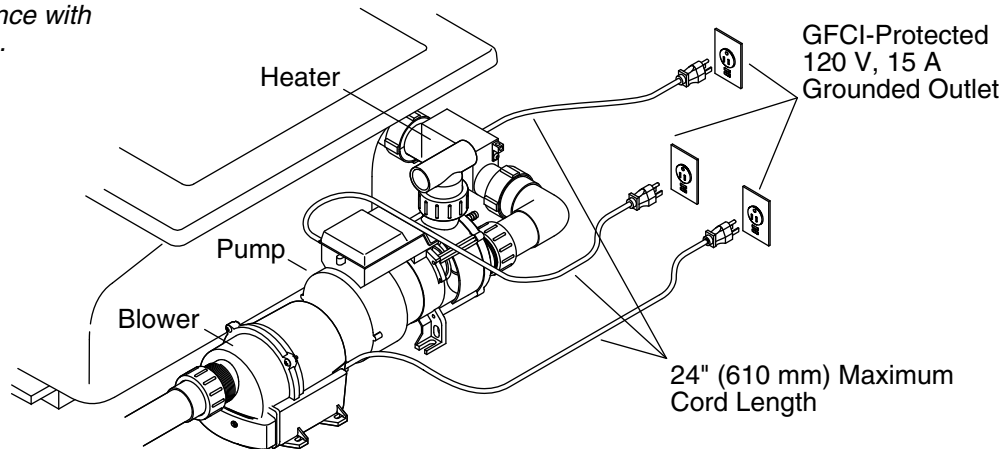
Alcove Installation

- Drill a small pilot hole through the nailing-in flange at each stud. Add shims as needed.
- Use large-head galvanized nails to secure the nailing-in flange to the studs.

Install the Bath (cont.)

- Nail 1/4" (6 mm) thick furring strips to the studs.
- Insert the drain tailpiece into the trap. Secure the drain tailpiece to the trap.
- Install the faucet valve.
- Check the drain connections for leakage.

Bond in accordance with applicable codes.



3. Make the Electrical Connections – USA and Mexico



WARNING: Risk of electric shock. Make sure the power has been disconnected before performing the following procedures.



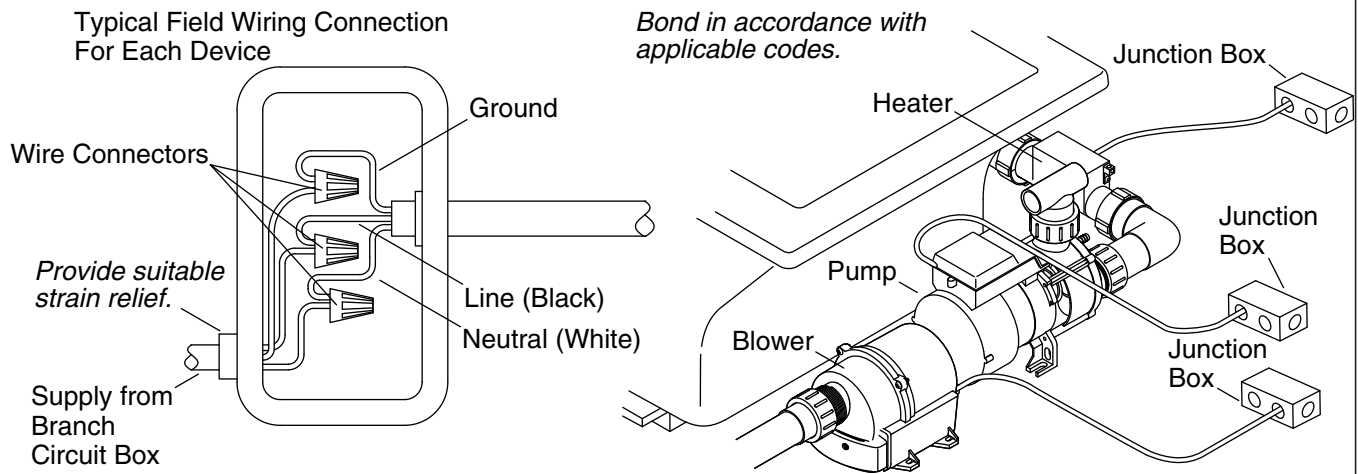
WARNING: Risk of electric shock. Connect the pump motor, in-line heater (if included), and blower to properly grounded, grounding-type receptacles protected by Ground-Fault Circuit-Interrupters (GFCI's) or Residual Current Devices (RCD's). Do not remove the grounding pins from the plugs. Do not use grounding adapters.

NOTICE: The pump motor, in-line heater (if included), and blower are equipped with cords and plugs. A qualified electrician must install a dedicated GFCI- or RCD-protected, 120 V, 15 A, grounded outlet **for each** device. No other load should be on these circuits.

NOTE: A label identifying the model number and electrical rating of the product is located near the whirlpool pump.

- Install electrical outlets behind the bath, at least 1-1/2" (38 mm) above the subfloor, and within reach of the 24" (610 mm) power cords.
- Plug the pump motor, blower, and in-line heater (if included) into these outlets.

NOTE: Make sure the air actuator tubing is securely attached to the pump, and is not kinked or damaged.



4. Make the Electrical Connections – Canada



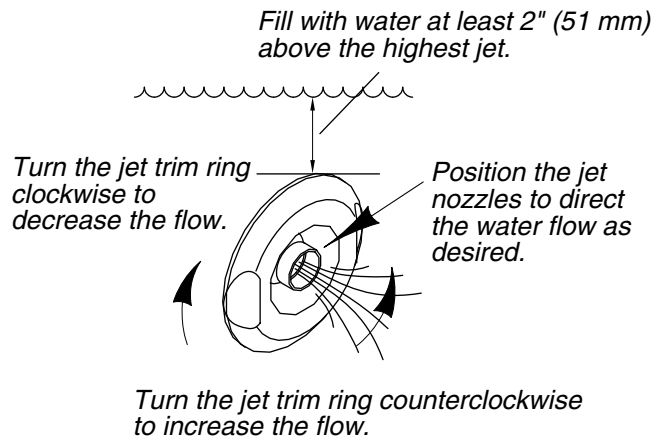
WARNING: Risk of electric shock. Make sure the power has been disconnected before performing the following procedures.



WARNING: Risk of electric shock. Connect the pump motor, in-line heater (if included), and blower to a properly grounded, grounding-type Ground-Fault Circuit-Interrupter (GFCI) or Residual Current Device (RCD). This will provide additional protection against line-to-ground shock hazard.

NOTE: A label identifying the model number and electrical rating of the whirlpool is located near the whirlpool pump.

- Locate and secure each supplied junction box a minimum of 1-1/2" (38 mm) above the subfloor.
- The whirlpool controls and system have been prewired at the factory. A qualified electrician should make a routine service connection to the junction box.
- Connect service to the junction box. The 60 Hz model junction box contains line (black) and neutral (white) wires and a ground lug.
- A 120 V, 15 A dedicated circuit is required for each device. Provide a Class A GFCI or RCD for each dedicated circuit.
- Provide a separate equipment grounding conductor for the inside ground or ground lug. The conductor **must not** be connected to any current-carrying conductor.
- Bond in accordance with national and local codes.



5. Complete the Installation

Test Run the Bath

- Fill the bath at least 2" (51 mm) above the top of the highest jet.
- Turn off the bath and let sit for five minutes. Check all piping connections for leaks. Check for leakage along the front, sides, and back of the bath.
- Turn on the blower and run for 5 minutes. Check for proper operation and function.
- For additional information on bath operation, see the "Operating the Whirlpool System" and "Operating the Air System" sections.

Finish the Installation

- Install water-resistant wallboard and all finished wall, deck, and floor materials.
- Apply silicone sealant to seal all areas where the bath and finished wall or deck meet.
- Install the faucet trim.

Clean-up After Installation

- When cleaning up after installation, **do not use abrasive cleansers**, as they may scratch and dull the bath surface. Use warm water and a liquid detergent to clean the surface of the bath.
- Remove stubborn stains or paint with turpentine or paint thinner. **Do not allow cleaners containing petroleum distillates to remain in contact with any bath surface for long periods of time.** Remove plaster by carefully scraping with a wood edge. Do not use metal scrapers, wire brushes, or other metal tools. Use a powder-type detergent on a damp cloth to provide mild abrasive action to any residual plaster.

Important Safety Instructions

READ AND FOLLOW ALL INSTRUCTIONS

SAVE THESE INSTRUCTIONS

INSTRUCTIONS PERTAINING TO A RISK OF FIRE, ELECTRIC SHOCK, OR INJURY TO PERSONS



WARNING: When using electrical products, basic precautions should always be followed, including the following:

Important Safety Instructions (cont.)



DANGER: Risk of accidental injury or drowning. To reduce the risk of injury, do not permit children to use this unit unless they are closely supervised at all times.



WARNING: Risk of personal injury. To avoid injury, exercise care when entering or exiting the bath.



WARNING: Risk of electric shock. Do not permit electric appliances (such as a hair dryer, lamp, telephone, radio, or television) within 5' (1.5 m) of this bath.



WARNING: The use of alcohol, drugs, or medication can greatly increase the risk of fatal hyperthermia. Prolonged immersion in hot water may induce hyperthermia. Hyperthermia occurs when the internal temperature of the body reaches a level several degrees above the normal body temperature of 98.6°F (37°C). The symptoms of hyperthermia include an increase in the internal temperature of the body, dizziness, lethargy, drowsiness, and fainting. The effects of hyperthermia include: (a) failure to perceive heat, (b) failure to recognize the need to exit the bath, (c) unawareness of impending hazard, (d) fetal damage in pregnant women, (e) physical inability to exit the bath, and (f) unconsciousness resulting in the danger of drowning.



WARNING: Risk of fetal injury. Pregnant or possibly pregnant women should consult a physician before using the bath.



WARNING: Risk of hyperthermia or drowning. Do not use the bath immediately following strenuous exercise.



WARNING: Risk of hyperthermia or drowning. Water temperature in excess of 100°F (38°C) may cause injury. Test and adjust the water temperature before use.



WARNING: Risk of personal injury. Never drop or insert any object into any opening.

Use this bath only for its intended purpose as described in this guide. Do not use attachments not recommended by Kohler Co.

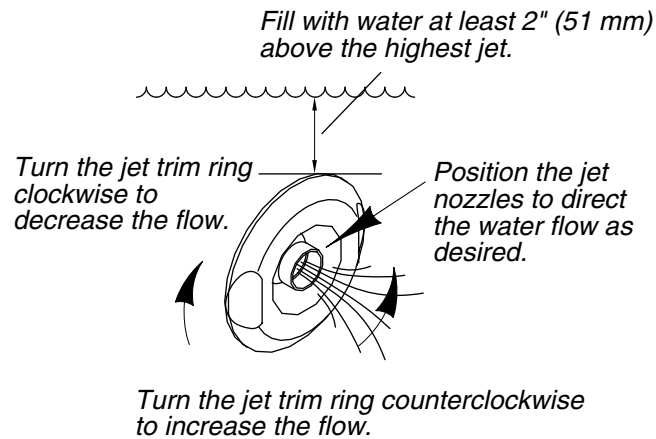
The bath must be connected only to a supply circuit that is protected by a Ground-Fault Circuit-Interrupter (GFCI)*. Such a GFCI should be provided by the installer and should be tested on a routine basis. To test the GFCI, press the test button. The GFCI should interrupt power. Press the reset button. Power should be restored. If the GFCI fails to operate in this manner, the GFCI is defective. If the GFCI interrupts power to the bath without the test button being pressed, a ground current is flowing, indicating the possibility of an electric shock. Do not use this bath. Disconnect the bath and have the problem corrected by a qualified service representative before using.

Flush your whirlpool system twice a month or more depending upon usage, as described in the "Flush the System" section of this guide.

Repeated use of personal care products containing oils can damage plastic whirlpool components. Avoid using bath oils.

Whirlpool hydro-massage action can cause even a small amount of bubble bath, bath soap, shampoo, or bath oil to foam excessively. For this reason, please do not use these products during whirlpool operation.

*Outside North America, this device may be known as a Residual Current Device (RCD).



Operating the Whirlpool System

NOTE: This is a combination whirlpool bath with airjets. For information on using the air features, refer to the "Operating the Air System" section.

Start/Stop the Whirlpool Jets

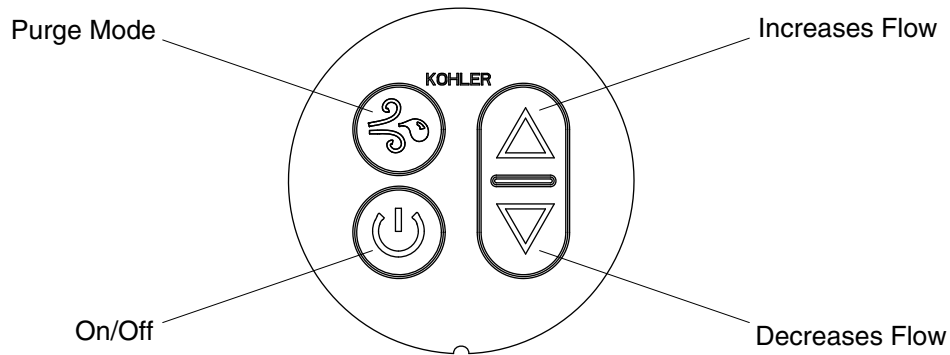
NOTE: The water temperature in the bath should never exceed 104°F (40°C).

- Close the drain, then fill the bath at least 2" (51 mm) above the top of the highest jet.
- Use your hand to test the water temperature for comfort and safety, then carefully enter the bath.
- Press the air switch to turn on the pump.

NOTE: If equipped, the heater will automatically turn on.

- Adjust the jets for optimum air/water mixture. Turn the jet trim rings clockwise to reduce the flow or counterclockwise to increase the flow. Position the jet nozzles to direct the water flow as desired.
- Press the air switch a second time to turn off the pump.
- Carefully exit the bath, then open the drain and empty the water.

NOTE: If the whirlpool system does not function properly, refer to the "Troubleshooting" section.



Operating the Air System

NOTE: This is a combination whirlpool bath with airjets. For information on using the whirlpool features, refer to the "Operating the Whirlpool System" section.

IMPORTANT! This product contains an automatic water purge mode that turns the blower on for 2 minutes approximately 30 minutes after the unit is turned off and drained.

NOTE: The water temperature in the bath should never exceed 104°F (40°C).

- Close the drain, then fill the bath at least 2" (51 mm) above the highest whirlpool jet to provide adequate water supply for the air system.
- Use your hand to test the water temperature for comfort and safety, then carefully enter the bath.
- Press the [On/Off] icon to turn the blower on at medium speed.
- Press the [Up] or [Down] arrow icons to increase or decrease the air flow.

NOTE: The blower will turn off automatically following 20 minutes of operation, and can be immediately restarted if desired.

- Press the [On/Off] icon a second time to turn off the blower.
- Carefully exit and drain the bath.
- Press the [Purge Mode] icon to blow remaining water from the air channels. The blower will turn on for 2 minutes and then turn off automatically.

NOTE: About 30 minutes after the blower motor stops, a 2 minute purge mode will automatically start.

NOTE: If the bath does not function properly, refer to the "Troubleshooting" section.

Care and Cleaning

For best results, keep the following in mind when caring for your KOHLER bath:

- Always test your cleaning solution on an inconspicuous area before applying to the entire surface.
- **Do not use abrasive cleansers or solvents.** Abrasive cleaners and solvents can damage the product surface.
- Wipe surfaces clean and rinse completely with water immediately after applying cleaner. Rinse and dry any overspray that lands on nearby surfaces.
- Do not allow cleaners to soak on surfaces.
- Use a soft, dampened sponge or cloth. Never use an abrasive material such as a brush or scouring pad to clean surfaces.

Care and Cleaning (cont.)

- The ideal cleaning technique is to rinse thoroughly and blot dry any water from the surface after each use.

Maintaining the Airjets

- If cleaning the airjets is necessary due to hard water deposits, wet a soft, non-abrasive cloth with white vinegar and wipe the plugged airjet holes. Immediately rinse the area with clean water to avoid long-term exposure of the vinegar to the airjet surface.
- Fill the bath with water to the top row of airjets. Drain the bath and press the purge button.

Cleaning Your User Keypad

- Use a soft cloth to wipe the keypad after each use. If the surface becomes dirty, use a non-abrasive soap and warm water to clean.

For detailed cleaning information and products to consider, visit www.kohler.com/clean. To order Care & Cleaning information, call 1-800-456-4537.

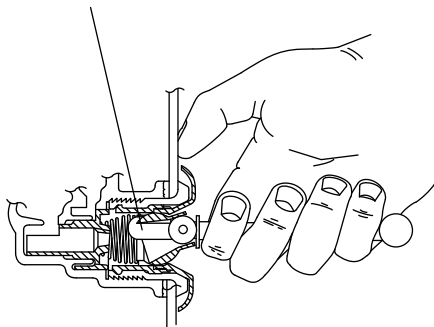
Flush the System

NOTE: Flush your whirlpool system twice a month or more, depending upon usage.

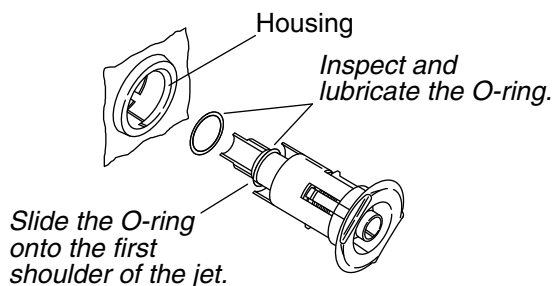
- Turn the jet trim rings fully clockwise to reduce air induction.
- Fill the whirlpool with hot water to a level at least 2" (51 mm) above the highest jet.
- Add 2 teaspoons (10 ml) of a low-foaming, powder automatic dishwasher detergent and 20 ounces (590 ml) of household bleach (5% - 6% sodium hypochlorite) to the water.
- Run the whirlpool for 5 to 10 minutes. Turn off the whirlpool and drain.
- If desired, rinse the bath surfaces with water.
- Rinse the surfaces of the jets, faucet, grab bars, and drain, and wipe them dry with a soft cloth.

Remove the Jets

Insert the tool hook as shown and pull the jet out of the housing. The jet should be facing up when this is done.



Reinstall the Jets



Insert the jet into the housing, and lightly push and rotate until it snaps in position.

Troubleshooting

NOTICE: This section is for general aid only. A Kohler Co. Authorized Service Representative or qualified electrician should correct any electrical problems. For warranty service, call 1-800-4KOHLER from within the USA and Canada, or 001-800-456-4537 from within Mexico.

For service parts information, visit your product page at www.kohler.com/serviceparts.

Remove the Jets

NOTE: A special tool is provided with the replacement jets that will allow you to remove the jets from the whirlpool. This tool is also supplied with each trim kit.

- Position the jet ball nozzle so it is pointing upward.
- Insert the removal tool, hooked end up, into the opening of the jet and hook the inside top of the nozzle.
- Grasp the tool firmly and place your thumb against the whirlpool wall. Pull steadily on the tool until the jet assembly pulls free of the hole. Be careful not to lose the O-ring.

Reinstall the Jets

NOTE: To allow easy rotation and proper operation of the jet, the O-ring must be: (1) correctly positioned, (2) lubricated, and (3) in good condition.

- Install the O-ring onto the **first shoulder** of the jet.
- Using the silicone lube packet (provided), lubricate the O-ring to prevent noisy operation of the jet.
- Carefully insert the jet into the housing, then lightly push and rotate the jet until it snaps into position. **Do not force the jet.**
- Verify the jet is installed correctly. The jet should turn smoothly both clockwise and counterclockwise. Remove and reinstall, if necessary.

Troubleshooting (cont.)

Whirlpool System

Symptoms	Probable Causes	Recommended Action
1. Whirlpool does not start or stop.	A. No power to motor.	A. Check that the pump and heater are plugged in and that the GFCI or RCD is switched to the correct position. Plug in or reset the GFCI/RCD as needed.
	B. Air hose is loose or disconnected.	B. Check that the hose is connected at both the receiver/pump end and to the air switch. Reconnect if needed.
	C. Air hose is pinched or kinked.	C. Adjust hose to clear the pinched/kinked area. If the tubing is pinched/kinked and cannot be readjusted, or no noticeable pinch/kink is apparent, poke a small hole in the tubing with a tack and try the system again.
	D. Push button assembly is damaged.	D. Replace the push button assembly.
	E. Push button has grease in the bleed area.	E. Disassemble the push button assembly and wipe away any excess grease. Reassemble the button and retry the system.
	F. Air hose is damaged.	F. Replace the air hose.
	G. Motor/pump does not work.	G. Replace the motor/pump.
2. Motor starts, not all jets are functioning.	A. Jet is closed.	A. Rotate jet trim ring counterclockwise to open.
	B. Jet not installed correctly.	B. Reinstall jet; check for O-ring damage.
	C. Jets are blocked.	C. Remove blockage.
3. Pump does not prime.	A. Pump shimmed too high.	A. Lower pump support bracket.
4. Noisy operation.	A. Pump banding straps have not been cut. (Models with support blocks only.)	A. Cut pump banding straps with tin snips.
	B. Jet O-ring dislodged.	B. Remove jet, replace and lubricate O-ring, and reinstall jet.
5. Heater does not operate. ("H" models only)	A. No power to heater.	A. Reset the GFCI or RCD.
	B. Water temperature exceeds 104°F (40°C).	B. Allow water to cool and heater will re-engage.
	C. Heater does not work.	C. Replace heater.

Air System

Symptoms	Probable Causes	Recommended Action
1. Blower turns on by itself after the bath has been drained.	A. Normal operation. Automatic purge mode is working as designed.	A. No action is required. Automatic purge mode runs for 2 minutes 30 minutes after the bath is drained.
2. Blower turns off by itself after running for two minutes.	A. The Purge Mode icon was pressed instead of the On/Off icon.	A. Press the On/Off icon on the keypad. See the "Operating Instructions" section.

Troubleshooting (cont.)

Air System

Symptoms	Probable Causes	Recommended Action
3. Blower motor will not start.	A. Power cord from blower motor is loose, disconnected, or damaged.	A. Check wiring for proper connections.
	B. User keypad cable loose or damaged.	B. Check wire connections. If necessary, replace user keypad cable.
	C. User keypad does not work.	C. Replace user keypad.
	D. Blower motor does not work.	D. Replace the blower motor.
4. Blower motor stops running and will not immediately restart.	A. Blower motor overheated and protection device activated.	A. Check for blockage at blower air intake. Remove blockage and allow motor to cool.
5. Blower motor starts, some but not all airjets are working.	A. Blower motor speed is too low.	A. Increase speed.
	B. Blower motor inlet is blocked.	B. Clean blower motor inlet.
	C. Blower motor does not work.	C. Replace the blower motor.
	D. Blower motor discharge is blocked.	D. Clear blockage.
	E. Airjets are clogged.	E. Use a small between-the-teeth dental brush and white vinegar. Dip the brush in the vinegar, brush the hole, rinse the brush in clean water, and then use the wet rinsed brush to rinse the hole.
6. Blower motor runs but no air bubbles are observed.	A. Blower motor inlet is blocked.	A. Clean blower motor inlet.
	B. Airjets are clogged.	B. Use a small between-the-teeth dental brush and white vinegar. Dip the brush in the vinegar, brush the hole, rinse the brush in clean water, and then use the wet rinsed brush to rinse the hole.
	C. Blower motor does not work.	C. Replace the blower motor.
7. Blower motor operates, air bubbles are observed, but speed feature does not work.	A. Blower motor inlet is blocked.	A. Clean blower motor inlet.
	B. Loose, disconnected, or damaged wiring harness.	B. Check wiring for proper connections. Replace the wiring harness if necessary.
	C. User keypad does not work.	C. Replace the user keypad.
	D. Blower motor does not work.	D. Replace the blower motor.
8. Blower motor does not turn off when the On/Off button is pressed.	A. User keypad does not work.	A. Replace the user keypad.
	B. Loose, disconnected, or damaged wiring harness.	B. Check wiring for proper connections. Replace the wiring harness if necessary.
	C. Control does not work.	C. Replace the control.
9. Purge mode does not work.	A. User keypad does not work.	A. Replace the user keypad.
	B. Control does not work.	B. Replace the control.
10. Bath does not purge automatically.	A. Blower does not work.	A. Replace the blower.

Warranty

ONE-YEAR LIMITED WARRANTY

KOHLER plumbing products are warranted to be free of defects in material and workmanship for one year from date of installation.

Warranty (cont.)

Kohler Co. will, at its election, repair, replace or make appropriate adjustment where Kohler Co. inspection discloses any such defects occurring in normal usage within one (1) year after installation. Kohler Co. is not responsible for removal or installation costs. **Use of in-tank toilet cleaners will void the warranty.**

To obtain warranty service contact Kohler Co. either through your Dealer, Plumbing Contractor, Home Center or E-tailer, or by writing Kohler Co., Attn.: Customer Care Center, 444 Highland Drive, Kohler, WI 53044, USA, or by calling 1-800-4-KOHLER (1-800-456-4537) from within the USA and Canada, and 001-800-456-4537 from within Mexico, or visit www.kohler.com within the USA, www.ca.kohler.com from within Canada, or www.mx.kohler.com in Mexico.

IMPLIED WARRANTIES INCLUDING THAT OF MERCHANTABILITY AND FITNESS FOR A PARTICULAR PURPOSE ARE EXPRESSLY LIMITED IN DURATION TO THE DURATION OF THIS WARRANTY. KOHLER CO. AND/OR SELLER DISCLAIM ANY LIABILITY FOR SPECIAL, INCIDENTAL OR CONSEQUENTIAL DAMAGES. Some states/provinces do not allow limitations on how long an implied warranty lasts, or the exclusion or limitation of special, incidental or consequential damages, so these limitations and exclusions may not apply to you. This warranty gives you specific legal rights. You may also have other rights which vary from state/province to state/province.

This is Kohler Co.'s exclusive written warranty.

Warranty

For Mexico

KOHLER CO.

It is recommended that at the time of purchase, you verify that all accessories and components are complete in this package.

This Kohler product is warranted to be free of defects in material and workmanship for one (1) year from the date of purchase as shown on the invoice or receipt.

1. Kohler Co. will only service its commercialized products through its authorized distributors.
2. To obtain warranty service, please present the invoice and corresponding warranty.
3. Through its authorized distributors, Kohler Co. promises to repair the defective product or provide a new replacement or an equivalent model (in those cases that the model has been discontinued) when the product is beyond repair, without any charge to the consumer.
4. The time of repair will not exceed six (6) weeks commencing on the date the product is received.
5. It is recommended that the consumer save the invoice or receipt as additional protection, as it may substitute the warranty in the case that there is a discrepancy in the validity of the warranty.

EXCEPTIONS AND RESTRICTIONS

The Warranty will not be valid in the following cases:

1. When the product is not operated in accordance with the instructions concerning use and operation set forth in the owner's manual or installation instructions, and when the recommendations and warnings included are not observed.
2. When the product has been modified or dismantled partially or totally; or has been used in a negligent fashion and as a consequence has suffered damages attributable to the consumer, individual, or hardware not authorized by Kohler Co.
3. This warranty does not cover the damages as a result of disaster such as fire or acts of God, including flooding, earthquake, or electric storms, etc. To obtain a list of distributors in your area where you can exercise your rights under this warranty, please call 001-800-456-4537.

KOHLER CO., KOHLER, WI 53044 U.S.A.

IMPORTER:

Warranty (cont.)

COMERCIALIZADORA INTERCERAMIC, S.A. DE C.V.

AV. CARLOS PACHECO NO. 7200, COL. MADERA 65

CHIHUAHUA, CHIH., MEXICO C.P. 31060

R.F.C. CIN141022IE9

TEL: 52 (614) 429-11-11

IMPORTER:

GAMA MATERIALES Y ACEROS, S.A. DE C.V.

AVE LOS ANGELES NO. 1800

COL VALLE DEL NOGALAR, SAN NICOLAS DE LOS GARZA

N.L. MEXICO

R.F.C. GMA901220U11

TEL: 81-1160-5500

Guide d'installation et d'entretien

Baignoire à hydromassage avec jets d'air

Installation standard

Instructions d'installation



AVERTISSEMENT: Lors de l'utilisation de produits électriques, toujours observer les précautions de base, notamment:



DANGER: Risque de choc électrique. Raccorder uniquement à un circuit protégé par un disjoncteur de fuite de terre (GFCI)*.

Les matériaux de construction et le câblage doivent être acheminés loin de la pompe à hydromassage, du moteur du souffleur et d'autres composants de l'appareil qui dégagent de la chaleur.

Installer de façon à permettre un accès pour l'entretien.

Un connecteur à pression pour câbles marqué "Earth/Ground" (Terre/Masse) est fourni dans le compartiment de câblage. Afin de réduire les risques de choc électrique, raccorder ce connecteur à une borne de terre du panneau de service électrique ou du panneau d'alimentation avec un câble en cuivre ayant la même dimension que le conducteur du circuit qui alimente cet équipement.

Un connecteur à pression pour câbles est fourni à l'extérieur de la pompe ou de la commande de cet appareil afin de permettre la connexion d'un conducteur de mise à la terre entre cet appareil et toutes les autres surfaces de métal avoisinantes, tel que requis par les réglementations locales.

Une mise à la terre est requise. L'appareil doit être installé par un représentant qualifié et doit être mis à la terre.



AVERTISSEMENT: Risque de blessures ou d'endommagement du matériel. Toutes les instructions doivent être lues avec la plus grande attention avant de commencer l'installation, et toutes les conditions suivantes doivent être respectées.



AVERTISSEMENT: Risque de choc électrique. Un électricien qualifié doit effectuer toutes les connexions électriques.



AVERTISSEMENT: Risque de choc électrique. Déconnecter l'alimentation électrique avant d'effectuer un entretien.

AVIS: Respecter tous les codes de plomberie et électriques locaux. Installer cet appareil conformément au Code canadien de l'électricité, Partie 1.

* Hors de l'Amérique du Nord, ce dispositif peut être connu sous le nom de dispositif à courant résiduel (RCD).

Information sur le produit

Installations électriques requises

Cette installation doit être munie d'un disjoncteur de fuite de terre (GFCI) de classe A. Le disjoncteur GFCI protège contre les risques d'électrocution fil sous tension-terre. **Utiliser des services exclusifs de 120 V, 15 A, 60 Hz pour le moteur de la pompe et le souffleur.**

Les modèles "H" exigent une alimentation séparée de 120 V, 15 A, 60 Hz dédiée au chauffe-eau.

Si un cordon d'alimentation est endommagé, il doit être remplacé par le fabricant, son représentant technique ou un personnel ayant les mêmes qualifications, afin d'éviter tout danger. Le cordon d'alimentation du chauffe-eau ne peut pas être remplacé. Le chauffe-eau doit être remplacé si le cordon d'alimentation du chauffe-eau est endommagé.

Information sur le produit (cont.)

Notices du produit



AVERTISSEMENT: Des modifications non approuvées pourraient provoquer un fonctionnement dangereux et une mauvaise performance de la baignoire. Ne pas déplacer la pompe à hydromassage ou le moteur du souffleur, et ne pas effectuer d'autres modifications sur le système de la baignoire, étant donné que cela pourrait affecter les performances et le fonctionnement sans danger du produit. Kohler Co. décline toute responsabilité sous sa garantie et pour toutes blessures ou tous dommages causés par de telles modifications non autorisées.

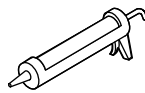
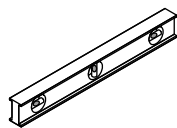
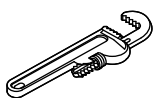
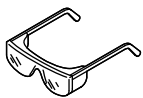
AVIS: Garder l'espace autour du souffleur propre et exempt de débris. S'assurer que l'espace autour du souffleur est exempt de sciure, de matériau isolant, de saleté ou d'autres petits débris volatiles. De tels matériaux pourraient boucher les conduits d'air du souffleur et réduire le débit d'air à travers le souffleur.

AVIS: Ce produit comprend un mode de purge d'eau automatique qui met le souffleur en marche pendant 2 minutes, 30 minutes environ après l'arrêt et la vidange du dispositif.

Caractéristiques

Les composants installés à l'usine incluent un moteur de pompe, un chauffe-eau (modèles H) et un moteur de souffleur (chacun d'entre eux étant muni d'un cordon d'alimentation séparé), des jets d'hydromassage, une tuyauterie d'air, un interrupteur de débit d'air, et un clavier utilisateur. Aucun montage n'est nécessaire, sauf le câblage électrique et la plomberie.

Outils et matériel



Plus:

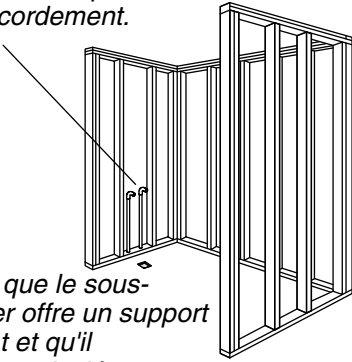
- Matériaux et outils à bois classiques
- Toile de protection
- Colle mastic (optionnelle)
- Ciment* ou mortier (optionnel)
- Des 2x4

* Ne pas utiliser de plâtre dur.

Mastic à la silicone à 100%

Alcôve

Positionner la plomberie de raccordement.



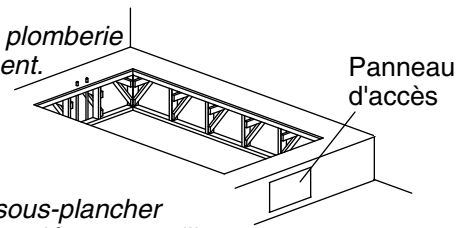
Vérifier que le sous-plancher offre un support adéquat et qu'il est plat et nivelé.

À encastrer par le dessus

Construire une charpente à montants de 2x4 selon les dimensions du produit.

Positionner la plomberie de raccordement.

Effectuer la construction selon les dimensions du produit.



Vérifier que le sous-plancher offre un support adéquat et qu'il est plat et nivelé.

1. Préparer le site

AVIS: Mesurer le produit en question pour la préparation du site. Noter le **numéro de modèle** se trouvant sur le côté pompe/souffleur de la baignoire, puis visiter la page des produits sur le site www.kohler.com pour obtenir de l'information supplémentaire.

AVIS: Les modèles à encastrer par le dessus ne sont **pas** destinés à être installés en alcôve. Utiliser un modèle à bride pour les emplacements avec alcôve.

AVIS: Fournir une ventilation adéquate et un minimum de 15 pieds cube (0,4 mètre cube) d'espace d'air à l'endroit d'installation pour le refroidissement du moteur et pour fournir assez d'air au souffleur. Ne pas installer le moteur du souffleur à une distance plus proche de 1" (25 mm) du mur ou d'autres objets.

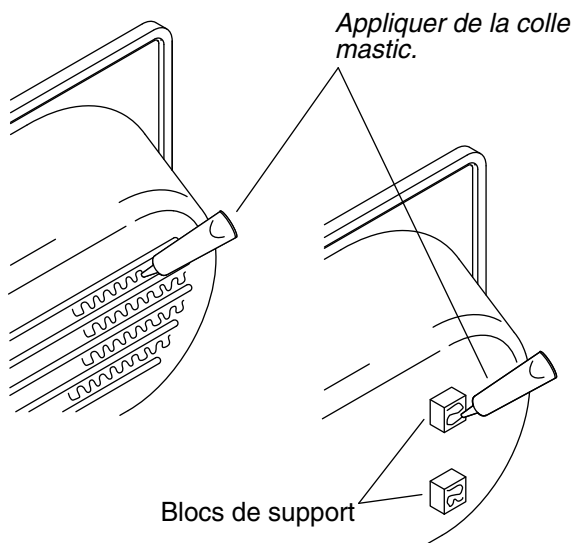
AVIS: Fournir un large espace non restreint pour pouvoir accéder à la pompe et au souffleur. Un accès doit être possible juste à côté de la pompe, du souffleur et des commandes pour permettre les entretiens.

AVIS: Ne pas supporter le poids de charge de la baignoire par le rebord.

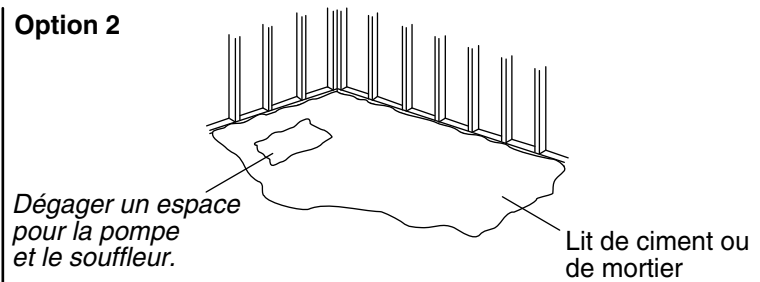
REMARQUE: Une installation à encastrer par le dessus ou en alcôve est possible, selon le produit choisi.

- Déballer et examiner soigneusement la nouvelle baignoire afin d'y déceler tout dommage avant d'effectuer l'installation. Si des dommages sont notés, ne pas installer la baignoire; contacter le concessionnaire.
- S'assurer que le plancher offre un support adéquat pour la baignoire et vérifier que le sous-plancher est plat et nivelé.
- Construire une charpente avec des montants de 2 x 4.
- Installer un panneau d'accès sur le côté pompe/souffleur de la baignoire pour permettre les entretiens. Le panneau d'accès doit avoir une largeur de 30" (762 mm) et une hauteur de 15" (381 mm) au moins.
- Installer la tuyauterie de raccordement.
- Installer le drain sur la baignoire conformément aux instructions du fabricant du drain.
- Protéger la surface de la baignoire en plaçant une toile de protection propre dans le bas du bassin.

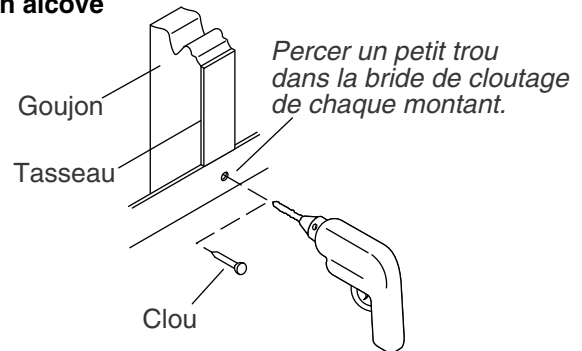
Option 1



Option 2



Installations en alcôve



2. Installer la baignoire

AVIS: Ne pas soulever la baignoire par la tuyauterie ou le souffleur, et ne pas utiliser ceux-ci comme support structurel de la baignoire. Afin d'éviter tout endommagement de la baignoire, soulever celle-ci par les côtés.

- Si le sous-plancher n'est pas de niveau, placer des blocs de support sous la baignoire, selon les besoins.
- **Option 1: Colle mastic:** Appliquer une quantité suffisante de colle mastic de haute qualité sur la base des blocs de support ou des supports moulés.
- **Option 2: Lit de ciment ou de mortier:** Appliquer un lit de mortier de 1" (25 mm) à 2" (51 mm) dans la zone d'installation. Ne pas utiliser de plâtre dur ou un mélange pour cloison sèche, car ces produits ne fournissent pas de scellement acceptable et durable.

IMPORTANT! Procéder avec soin afin de ne pas pincer ou écraser la tubulure flexible lorsque la baignoire est mise en position.

- Avec de l'aide, lever la baignoire avec précaution et la positionner. Éloigner la tubulure flexible de tous les points de pincement.

Couper les sangles de retenue de la pompe

IMPORTANT! Exécuter cette étape pour que la baignoire à hydromassage fonctionne plus tranquillement.

- Couper les deux sangles de retenue de la pompe situées sur la pompe à hydromassage.

REMARQUE: Ne pas soulever la pompe à un niveau supérieur à celui où elle se trouvait avant d'avoir coupé les sangles. Si la pompe est trop élevée, elle ne s'amorcera pas correctement. S'assurer que les pieds isolants en caoutchouc sont en place.

Installation à encastrer par le dessus

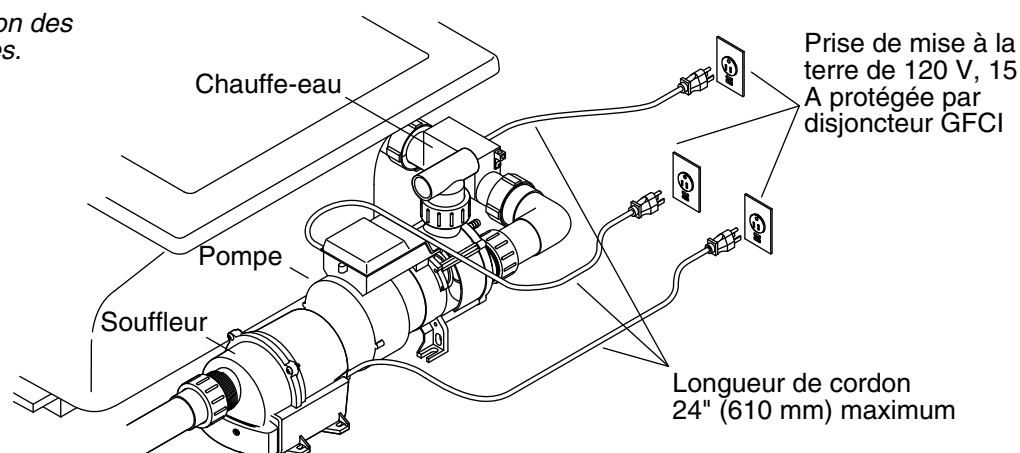
- Installer le té du drain et l'about. Sécuriser l'about dans le siphon.
- Installer la vanne de robinet.
- Rechercher des fuites dans les connexions du drain.

Installer la baignoire (cont.)

Installation en alcôve

- Percer un petit trou-pilote à travers la bride de cloutage de chaque montant. Utiliser des cales selon les besoins.
- Utiliser des clous galvanisés à grande tête pour fixer la bride de cloutage sur les montants.
- Clouer des tasseaux de 1/4" (6 mm) d'épaisseur sur les montants.
- Insérer l'about du drain dans le siphon. Fixer l'about du drain sur le siphon.
- Installer la vanne de robinet.
- Rechercher des fuites dans les connexions du drain.

Sceller en fonction des codes applicables.



3. Effectuer les connexions électriques – États-Unis et Mexique



AVERTISSEMENT: Risque de choc électrique. S'assurer que l'alimentation a été débranchée avant d'effectuer les procédures suivantes.



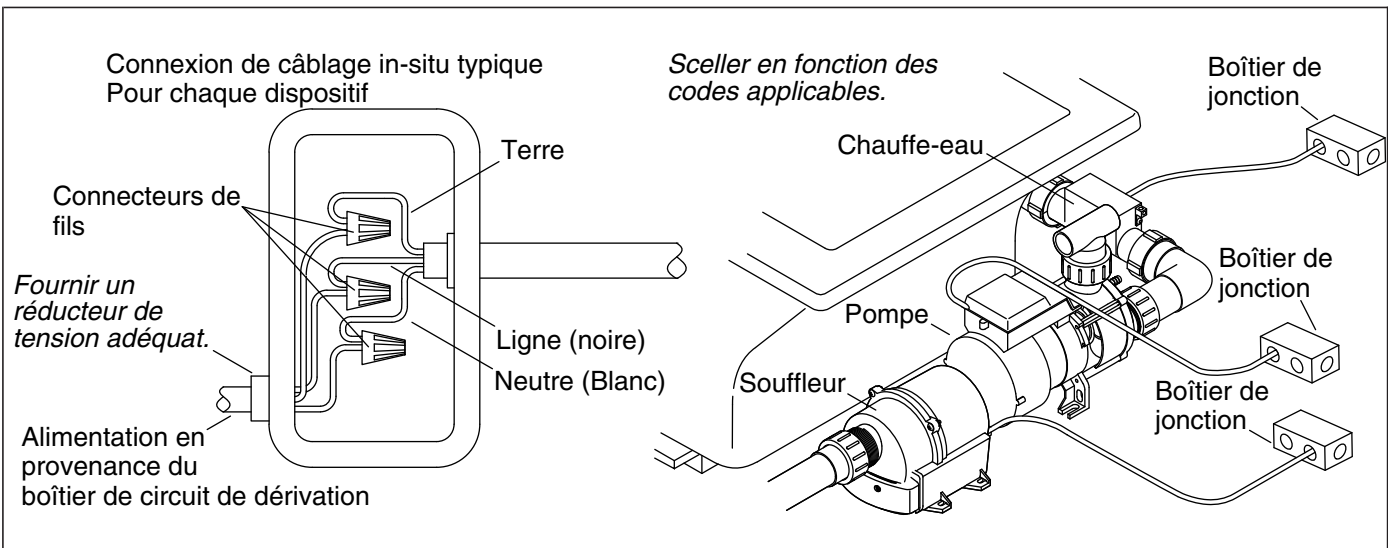
AVERTISSEMENT: Risque de choc électrique. Connecter le moteur de la pompe, le chauffe-eau en ligne (si inclus), et le souffleur à des prises avec mise à la terre correctement mises à la terre et protégées par des disjoncteurs de fuite de terre (GFCI) ou des dispositifs à courant résiduel (RCD). Ne pas retirer les broches de mise à la terre des fiches. Ne pas utiliser d'adaptateurs de mise à la terre.

AVIS: Le moteur de la pompe, le chauffe-eau en ligne (si inclus), et le souffleur sont équipés de cordons et de prises. Un électricien qualifié doit installer une prise mise à la terre dédiée de 120 V, 15 A, protégée par un disjoncteur de fuite de terre (GFCI) ou un dispositif de protection à courant résiduel (RCD) **pour chaque** dispositif. Aucune autre charge ne doit se trouver sur ces circuits.

REMARQUE: Une étiquette qui identifie le numéro de modèle et les caractéristiques électriques du produit est située à proximité de la pompe de la baignoire à hydromassage.

- Installer des prises électriques à l'arrière de la baignoire, à 1-1/2" (38 mm) au moins au-dessus du sous-plancher, et à proximité des cordons d'alimentation de 24" (610 mm).
- Brancher le moteur de la pompe, le souffleur, et le chauffe-eau en ligne (si inclus) dans ces prises.

REMARQUE: S'assurer d'attacher fermement la tubulure de l'actionneur pneumatique à la pompe, et vérifier qu'elle n'est ni pincée ni endommagée.



4. Effectuer les connexions électriques – Canada



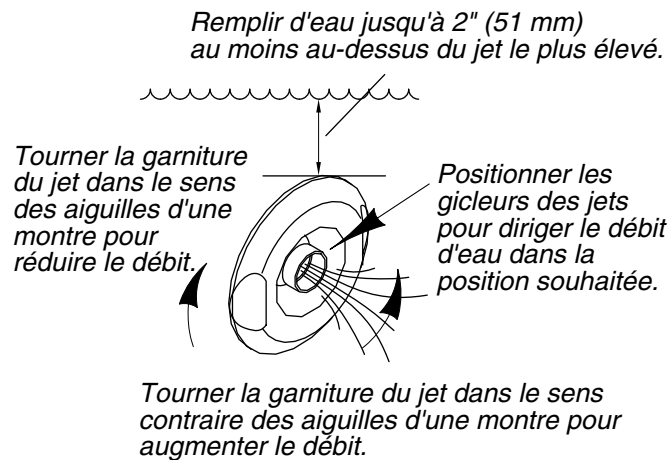
AVERTISSEMENT: Risque de choc électrique. S'assurer que l'alimentation a été débranchée avant d'effectuer les procédures suivantes.



AVERTISSEMENT: Risque de choc électrique. Connecter le moteur de la pompe, le chauffe-eau en ligne (si inclus) et le souffleur à un disjoncteur de fuite de terre (GFCI) ou à un dispositif à courant résiduel (RCD) mis à la terre de manière appropriée. Ceci fournira une mesure de protection supplémentaire contre le risque d'électrocution par tension phase-terre.

REMARQUE: Une étiquette qui identifie le numéro de modèle et les caractéristiques électriques de la baignoire à hydromassage est située à proximité de la pompe de la baignoire à hydromassage.

- Positionner et sécuriser chaque boîte de jonction fournie à un minimum de 1-1/2" (38 mm) au-dessus du sous-plancher.
- Les commandes de la baignoire à hydromassage et le système ont été pré-câblés en usine. Un électricien qualifié doit faire le branchement de routine à la boîte de jonction.
- Effectuer le branchement sur la boîte de jonction. La boîte de jonction du modèle 60 Hz comprend des fils de ligne (noir) et neutre (blanc) et une cosse de mise à la terre.
- Un circuit dédié de 120 V, 15 A est requis pour chaque dispositif. Fournir un GFCI (disjoncteur de fuite de terre ou un RCD (Dispositif à courant résiduel) de Classe A pour chaque circuit dédié.
- Prévoir un conducteur de terre séparé pour la terre intérieure ou la cosse de mise à la terre. Le conducteur **ne peut pas** être raccordé à un autre conducteur d'alimentation électrique.
- Raccorder conformément aux codes nationaux et locaux.



5. Terminer l'installation

Effectuer un essai de fonctionnement de la baignoire

- Remplir la baignoire à au moins 2" (51 mm) au-dessus du jet le plus élevé.
- Arrêter la baignoire et laisser reposer pendant cinq minutes. Inspecter toutes les connexions de la tuyauterie pour y déceler des fuites éventuelles. Rechercher des fuites le long de l'avant et des côtés de la baignoire, et à l'arrière de celle-ci.
- Mettre le souffleur en marche et le laisser en marche pendant 5 minutes. Vérifier le bon fonctionnement.
- Pour obtenir de l'information supplémentaire sur le fonctionnement de la baignoire, se reporter aux sections "Utilisation du système à hydromassage" et "Utilisation du système d'air".

Finir l'installation

- Installer le panneau mural hydrorésistant, ainsi que tous les matériaux du mur fini, de la plate-forme, et du plancher.
- Appliquer un mastic à la silicone pour sceller toutes les zones où la baignoire et le mur fini ou la plate-forme entrent en contact.
- Installer la garniture de robinet.

Nettoyer après l'installation

- Lors du nettoyage après l'installation, **ne pas utiliser de nettoyeurs abrasifs**, vu que ceux-ci risqueraient de rayer et d'abîmer la surface de la baignoire. Utiliser de l'eau chaude et un détergent liquide pour nettoyer la surface de la baignoire.
- Enlever les taches résistantes ou la peinture avec de l'essence de térébenthine ou un diluant pour peinture. **Ne pas laisser de nettoyeurs à base de distillats de pétrole rester en contact avec les surfaces de la baignoire pendant une longue période.** Retirer les résidus de plâtre en raclant avec précaution avec un bord en bois. Ne pas utiliser de grattoirs en métal, de brosses métalliques ou d'autres outils en métal. Utiliser un détergent en poudre sur un chiffon humide pour fournir une action abrasive légère sur les résidus de plâtre.

Instructions Importantes sur la sécurité
LIRE ET SUIVRE TOUTES LES INSTRUCTIONS
CONSERVER CES INSTRUCTIONS

Instructions Importantes sur la sécurité (cont.)

INSTRUCTIONS RELATIVES AUX RISQUES D'INCENDIE, D'ÉLECTROCUTION OU DE BLESSURES CORPORELLES



AVERTISSEMENT: Lors de l'utilisation de produits électriques, toujours observer les précautions de base, notamment:



DANGER: Risque de blessures ou de noyade accidentelles Afin de réduire les risques de blessures, ne jamais permettre à un enfant d'utiliser cet appareil sans surveillance étroite, en tout temps.



AVERTISSEMENT: Risque de blessures. Pour éviter les blessures corporelles, entrer et sortir avec précaution de la baignoire.



AVERTISSEMENT: Risque de choc électrique. Ne pas amener les appareils électriques (tels que des sèche-cheveux, des lampes, des téléphones, des radios ou des télévisions) dans un rayon de 5' (1,5 m) de cette baignoire.



AVERTISSEMENT: La consommation d'alcool, de drogues ou de médicaments peut augmenter considérablement le risque fatal d'hyperthermie. Une immersion prolongée dans l'eau chaude peut provoquer une hyperthermie. Une hyperthermie a lieu lorsque la température corporelle interne atteint un niveau dépassant de plusieurs degrés la température corporelle normale de 98,6°F (37°C). Les symptômes d'hyperthermie comprennent une hausse de la température corporelle interne, les étourdissements, une léthargie, une somnolence et les évanouissements. Les effets de l'hyperthermie comprennent: (a) défaut de percevoir la chaleur, (b) défaut de s'apercevoir du besoin de sortir de la baignoire, (c) incapacité de reconnaître le danger imminent, (d) lésions au fœtus dans le cas des femmes enceintes, (e) incapacité physique de sortir de la baignoire et (f) inconscience et danger consécutif de noyade.



AVERTISSEMENT: Risque de préjudice corporel au fœtus. Les femmes enceintes ou qui pourraient être enceintes doivent consulter un médecin avant d'utiliser la baignoire.



AVERTISSEMENT: Risque d'hyperthermie ou de noyade. Ne pas utiliser la baignoire immédiatement après des exercices physiques rigoureux.



AVERTISSEMENT: Risque d'hyperthermie ou de noyade. Une température d'eau supérieure à 100°F (38°C) peut causer des traumatismes. Vérifier et régler la température de l'eau avant utilisation.



AVERTISSEMENT: Risque de blessures. Ne jamais faire tomber ou insérer un objet quelconque dans les ouvertures.

Utiliser cette baignoire uniquement aux fins décrites dans ce guide. Ne pas utiliser de dispositifs d'attache non recommandés par Kohler Co.

La baignoire doit être raccordée uniquement à un circuit d'alimentation qui est protégé par un disjoncteur de fuite de terre (GFCI)*. L'installateur doit fournir un disjoncteur de fuite de terre de ce type et celui-ci doit être inspecté régulièrement. Pour inspecter le disjoncteur de fuite de terre, appuyer sur le bouton d'essai. Le disjoncteur de fuite de terre doit couper le courant. Appuyer sur le bouton de réinitialisation. L'alimentation devrait avoir été restaurée. Si le disjoncteur de fuite de terre ne fonctionne pas de cette manière, le disjoncteur est défectueux. Si le disjoncteur de fuite de terre interrompt l'alimentation de courant vers la baignoire sans que l'on ait appuyé sur le bouton d'essai, ceci indique qu'un courant à la terre est en train de circuler, et, par conséquent, la possibilité d'un choc électrique. Ne pas utiliser cette baignoire. Débrancher la baignoire et demander à un technicien qualifié de résoudre le problème avant d'utiliser celle-ci.

Purger le système de la baignoire à hydromassage deux fois par mois ou plus souvent selon la fréquence d'usage, tel que décrit dans la section "Purger le système" de ce guide.

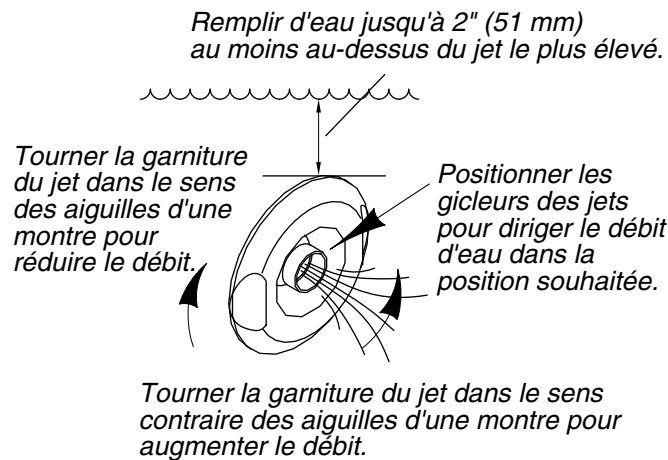
L'utilisation répétée de produits d'hygiène et de beauté contenant des huiles peut endommager les

Instructions Importantes sur la sécurité (cont.)

composants en plastique de la baignoire à hydromassage. Éviter d'utiliser des huiles de bain.

L'action de massage de la baignoire à hydromassage peut considérablement faire mousser les produits de bain moussant, le savon, les shampoings, ou les huiles pour le bain, même de petite quantité. Pour cette raison, veiller à ne pas utiliser ces produits pendant le fonctionnement de la baignoire à hydromassage.

* Hors de l'Amérique du Nord, ce dispositif peut être connu sous le nom de dispositif à courant résiduel (RCD).



Utilisation du système d'hydromassage

REMARQUE: Cette baignoire est une baignoire à hydromassage combinée avec des jets d'air. Pour obtenir de l'information sur l'utilisation des fonctions avec air, se reporter à la section "Fonctionnement du système d'air".

Marche/arrêt des jets d'hydromassage

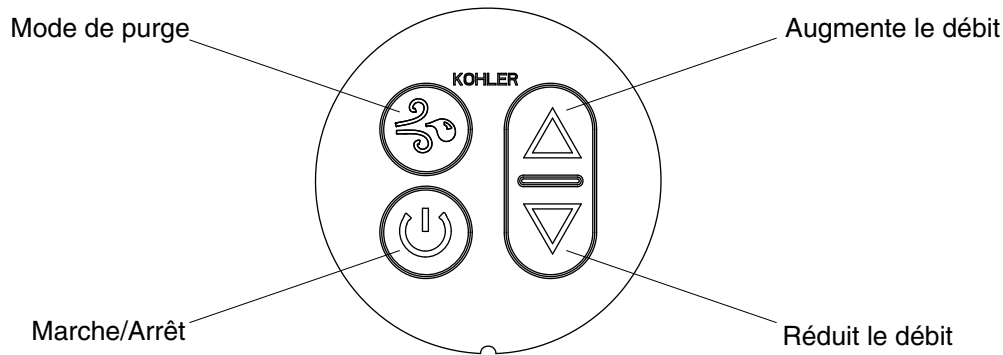
REMARQUE: La température de l'eau de la baignoire ne doit jamais dépasser 104°F (40°C).

- Fermer le drain, puis remplir la baignoire à au moins 2" (51 mm) au-dessus du haut du jet le plus élevé.
- Utiliser la main pour tester la température de l'eau pour le confort et la sécurité, puis entrer doucement dans la baignoire.
- Appuyer sur le commutateur de débit d'air pour mettre la pompe en marche.

REMARQUE: S'il est présent, le chauffe-eau se met automatiquement en marche.

- Ajuster les jets pour un mélange optimal de l'eau et de l'air. Tourner les bagues de garniture des jets dans le sens des aiguilles d'une montre pour réduire le débit, ou dans le sens contraire des aiguilles d'une montre pour augmenter le débit. Orienter les gicleurs des jets pour diriger le débit d'eau dans la position souhaitée.
- Appuyer sur le commutateur de débit d'air une deuxième fois pour arrêter la pompe.
- Sortir avec précaution de la baignoire, puis ouvrir le drain pour la vider de son eau.

REMARQUE: Si le système d'hydromassage ne fonctionne pas correctement, se référer à la section "Dépannage".



Utilisation du système d'air

REMARQUE: Cette baignoire est une baignoire à hydromassage combinée avec des jets d'air. Pour obtenir de l'information sur l'utilisation des fonctions d'hydromassage, se reporter à la section "Utilisation du système d'hydromassage".

IMPORTANT! Ce produit comprend un mode de purge d'eau automatique qui met le souffleur en marche pendant 2 minutes, 30 minutes environ après l'arrêt et la vidange du dispositif.

REMARQUE: La température de l'eau de la baignoire ne doit jamais dépasser 104°F (40°C).

- Fermer le drain, puis remplir la baignoire à 2" (51 mm) au moins au-dessus du jet à hydromassage le plus élevé pour fournir une arrivée d'eau adéquate pour le système d'air.
- Utiliser la main pour tester la température de l'eau pour le confort et la sécurité, puis entrer doucement dans la baignoire.
- Appuyer sur l'icône [Marche/Arrêt] pour mettre le souffleur en marche à une vitesse moyenne.
- Appuyer sur les icônes de flèches [vers le haut] ou [vers le bas] pour augmenter ou diminuer le débit d'air.

REMARQUE: Le souffleur s'éteint automatiquement au bout de 20 minutes de fonctionnement, et il peut être redémarré immédiatement si souhaité.

- Appuyer une deuxième fois sur l'icône [Marche/Arrêt] pour arrêter le souffleur.
- Sortir de la baignoire avec précaution et vider celle-ci.
- Appuyer sur l'icône [Mode Purge] pour souffler le reste d'eau hors des conduits d'air. Le souffleur se met en marche pendant 2 minutes, puis il s'arrête automatiquement.

REMARQUE: Au bout de 30 minutes environ après l'arrêt du moteur du souffleur, un mode de purge de 2 minutes se met en marche automatiquement.

REMARQUE: Si la baignoire ne fonctionne pas correctement, se référer à la section "Dépannage".

Entretien et nettoyage

Pour obtenir les meilleurs résultats possibles, prendre ce qui suit en considération lors de l'entretien de votre baignoire KOHLER:

- Toujours tester la solution de nettoyage sur une surface non visible avant de l'appliquer sur l'ensemble de la surface.
- **Ne pas utiliser de solvants ou des nettoyeurs abrasifs.** Les solvants et les produits nettoyeurs abrasifs peuvent endommager la surface du produit.

Entretien et nettoyage (cont.)

- Essuyer les surfaces et rincer complètement avec de l'eau immédiatement après l'application du nettoyant. Rincer et sécher tout éclaboussement sur les surfaces avoisinantes.
- Ne pas laisser les nettoyants tremper sur les surfaces.
- Utiliser une éponge ou un chiffon doux et humide. Ne jamais utiliser de matériau abrasif tel qu'une brosse ou une éponge à récurer pour nettoyer les surfaces.
- La technique idéale de nettoyage est de bien rincer et de sécher toute eau de la surface après chaque usage.

Maintenance des jets d'air

- S'il est nécessaire de nettoyer les jets d'air en raison de dépôts d'eau dure, mouiller un chiffon doux, non abrasif, avec du vinaigre blanc et essuyer les orifices des jets d'air bouchés. Rincer immédiatement la surface avec de l'eau propre afin d'éviter une exposition à long terme du vinaigre à la surface des jets d'air.
- Remplir la baignoire avec de l'eau jusqu'à la rangée supérieure des jets d'air. Vidanger la baignoire et appuyer sur le bouton de purge.

Nettoyage du clavier utilisateur

- Utiliser un chiffon doux pour essuyer le clavier après chaque utilisation. Si la surface devient sale, utiliser un savon non-abrasif et de l'eau tiède pour le nettoyage.

Pour obtenir des renseignements détaillés sur le nettoyage et les produits à considérer, consulter le site www.kohler.com/clean. Pour commander des renseignements sur le nettoyage, appeler le 1-800-456-4537.

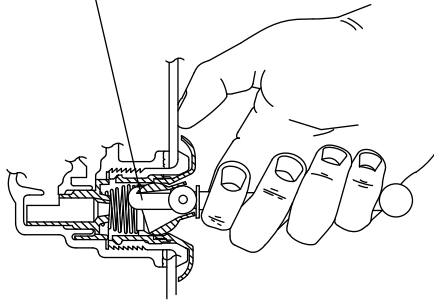
Purger le système

REMARQUE: Purger le système d'hydromassage deux fois par mois ou plus, selon la fréquence d'utilisation.

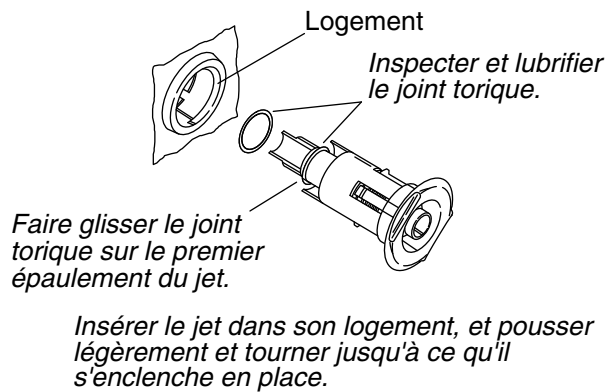
- Tourner les bagues de garniture des jets complètement dans le sens des aiguilles d'une montre pour réduire l'induction d'air.
- Remplir la baignoire à hydromassage d'eau chaude à au moins 2" (51 mm) au-dessus du jet le plus élevé.
- Ajouter à l'eau 2 petites cuillères (10 ml) d'un détergent en poudre pour lave-vaisselle automatique peu moussant et 20 onces (590 ml) d'eau de javel domestique (5% à 6% d'hypochlorite de sodium).
- Faire fonctionner la baignoire à hydromassage pendant 5 à 10 minutes. Arrêter la baignoire à hydromassage et purger.
- Si souhaité, rincer les surfaces de la baignoire avec de l'eau.
- Rincer les surfaces des jets, le robinet, les barres d'appui et le drain, et les sécher avec un chiffon doux.

Retirer les jets

Insérer le crochet de l'outil comme sur l'illustration et tirer sur le jet pour le faire sortir de son logement. Le jet doit être tourné vers le haut lorsque ceci est effectué.



Réinstaller les jets



Dépannage

AVIS: Cette section est seulement destinée à une aide générale. Un représentant du service agréé Kohler Co. ou un électricien qualifié doit rectifier tous les problèmes électriques. Pour un service de garantie, appeler le 1-800-4KOHLER à partir des É.-U. et du Canada, ou le 001-800-456-4537 à partir du Mexique.

Pour tout renseignement sur les pièces de rechange, visiter la page du produit sur le site www.kohler.com/serviceparts.

Retirer les jets

REMARQUE: Un outil spécial est fourni avec les jets de remplacement pour permettre de retirer les anciens jets de la baignoire à hydromassage. Cet outil est aussi fourni avec chaque kit de garniture.

- Positionner le gicleur à sphère du jet de façon à ce qu'il pointe vers le haut.
- Insérer l'outil d'extraction, avec son côté crochet vers le haut dans l'ouverture du jet et accrocher la partie supérieure intérieure du gicleur.
- Tenir l'outil fermement et placer le pouce contre le mur de la baignoire à hydromassage. Tirer de manière uniforme sur l'outil jusqu'à ce que l'ensemble du jet sorte du trou. Faire attention à ne pas perdre le joint torique.

Réinstaller les jets

REMARQUE: Pour permettre une rotation aisée et un bon fonctionnement des jets, le joint torique doit être: (1) placé correctement, (2) lubrifié, et (3) en bon état.

- Poser le joint torique sur le **premier épaulement** du jet.
- Lubrifier le joint torique avec le paquet de lubrifiant à la silicone (fourni), afin d'éviter un fonctionnement bruyant du jet.
- Insérer délicatement le jet dans le logement, puis pousser légèrement sur le jet et tourner celui-ci jusqu'à ce qu'il s'enclenche en place. **Ne pas forcer le jet.**
- Vérifier que le jet est installé correctement. Le jet devrait pouvoir tourner sans difficulté dans le sens des aiguilles d'une montre, et dans le sens contraire. Retirer et réinstaller si nécessaire.

Dépannage (cont.)

Système d'hydromassage

Symptômes	Causes probables	Action recommandée
1. L'hydromassage ne démarre pas ou ne s'arrête pas.	A. Moteur non alimenté.	A. Vérifier que la pompe et que le chauffe-eau sont branchés et que le disjoncteur de fuite de terre (GFCI) ou le dispositif à courant différentiel (RCD) sont dans la position correcte. Brancher ou réinitialiser le dispositif GFCI/RCD selon les besoins.
	B. Le tuyau d'air est desserré ou déconnecté.	B. Vérifier que le tuyau est connecté aux deux extrémités receveur/pompe et au commutateur de débit d'air. Reconnecter si nécessaire.
	C. Le tuyau d'air est pincé ou déformé.	C. Ajuster le tuyau pour dégager la zone pincée/déformée. Si la tubulure est pincée/déformée et si elle ne peut être réajustée, ou si aucun pincement/aucune déformation évidents ne sont apparents, percer un petit trou dans la tubulure avec une punaise et essayer de nouveau le système.
	D. L'ensemble du bouton-poussoir est endommagé.	D. Remplacer l'ensemble du bouton-poussoir.
	E. De la graisse est présente dans la zone de purge du bouton-poussoir.	E. Désassembler l'ensemble du bouton-poussoir et essuyer tout excès de graisse. Réassembler le bouton et réessayer de faire fonctionner le système.
	F. Le tuyau d'air est endommagé.	F. Remplacer le tuyau d'air.
	G. Le moteur/la pompe ne fonctionne pas.	G. Remplacer le moteur/la pompe.
2. Le moteur démarre, certains jets ne fonctionnent pas.	A. Jet fermé.	A. Tourner la bague de garniture du jet dans le sens antihoraire pour ouvrir.
	B. Le jet n'est pas installé correctement.	B. Réinstaller le jet; vérifier l'état du joint torique.
	C. Jets obstrués.	C. Éliminer l'obstruction.
3. La pompe ne s'amorce pas.	A. Pompe placée trop haut.	A. Abaisser la bride de support de la pompe.
4. Fonctionnement bruyant.	A. Les sangles de retenue de la pompe n'ont pas été coupées. (Modèles avec des blocs de support uniquement.)	A. Couper les sangles de retenue de la pompe avec des cisailles de ferblantier.
	B. Le joint torique est délogé.	B. Retirer le jet, remplacer et lubrifier le joint torique et réinstaller le jet.
5. Le chauffe-eau ne fonctionne pas. (Modèles "H" seulement)	A. Chauffe-eau non alimenté.	A. Réinitialiser le GFCI ou le RCD.
	B. La température de l'eau dépasse 104°F (40°C).	B. Laisser l'eau se refroidir et le chauffe-eau redémarrera.
	C. Le chauffe-eau ne fonctionne pas.	C. Remplacer le chauffe-eau.

Dépannage (cont.)

Système d'air

Symptômes	Causes probables	Action recommandée
1. Le souffleur se met en marche de lui-même lorsque la baignoire a été vidangée.	A. Fonctionnement normal. Le mode de purge automatique fonctionne tel que prévu.	A. Aucune action n'est requise. Le mode de purge automatique fonctionne pendant 2 minutes, 30 minutes après la vidange de la baignoire.
2. Le souffleur s'arrête de lui-même après avoir fonctionné pendant deux minutes.	A. On a appuyé sur l'icône Mode Purge au lieu de l'icône Marche/Arrêt.	A. Appuyer sur l'icône Marche/Arrêt sur le clavier utilisateur. Voir la section "Instructions d'opération".
3. Le moteur du souffleur ne démarre pas.	A. Le cordon d'alimentation en provenance du moteur du souffleur est desserré, déconnecté ou endommagé.	A. Inspecter le câblage pour vérifier que les connexions sont adéquates.
	B. Câble du clavier utilisateur desserré ou endommagé.	B. Vérifier les connexions de fils. Si nécessaire, remplacer le câble du clavier utilisateur.
	C. Le clavier utilisateur ne fonctionne pas.	C. Remplacer le clavier utilisateur.
	D. Le moteur du souffleur ne fonctionne pas.	D. Remplacer le moteur du souffleur.
4. Le moteur du souffleur s'arrête de fonctionner et ne redémarre pas immédiatement.	A. Moteur de souffleur surchauffé et système de protection activé.	A. Rechercher une obstruction au niveau de l'orifice d'entrée d'air du souffleur. Éliminer l'obstruction et laisser le moteur refroidir.
5. Le moteur du souffleur démarre, mais quelques jets d'air ne fonctionnent pas.	A. La vitesse du moteur du souffleur est trop basse.	A. Augmenter la vitesse.
	B. L'orifice d'entrée du moteur du souffleur est obstrué.	B. Nettoyer l'orifice d'entrée du moteur du souffleur.
	C. Le moteur du souffleur ne fonctionne pas.	C. Remplacer le moteur du souffleur.
	D. L'orifice de sortie du moteur du souffleur est obstrué.	D. Dégager l'obstruction.
	E. Les jets d'air sont bouchés.	E. Utiliser une petite brosse de nettoyage entre les dents et du vinaigre blanc. Tremper la brosse dans le vinaigre, brosser l'orifice, rincer la brosse à l'eau propre, puis utiliser la brosse mouillée et rincée pour rincer l'orifice.
6. Le moteur du souffleur fonctionne mais aucune bulle d'air n'est observée.	A. L'orifice d'entrée du moteur du souffleur est obstrué.	A. Nettoyer l'orifice d'entrée du moteur du souffleur.
	B. Les jets d'air sont bouchés.	B. Utiliser une petite brosse de nettoyage entre les dents et du vinaigre blanc. Tremper la brosse dans le vinaigre, brosser l'orifice, rincer la brosse à l'eau propre, puis utiliser la brosse mouillée et rincée pour rincer l'orifice.
	C. Le moteur du souffleur ne fonctionne pas.	C. Remplacer le moteur du souffleur.

Dépannage (cont.)

Système d'air

Symptômes	Causes probables	Action recommandée
7. Le moteur du souffleur fonctionne, des bulles d'air sont observées, mais la commande de vitesse ne fonctionne pas.	A. L'orifice d'entrée du moteur du souffleur est obstrué.	A. Nettoyer l'orifice d'entrée du moteur du souffleur.
	B. Le faisceau de câblage est desserré, déconnecté ou endommagé.	B. Vérifier les raccordements du câblage. Remplacer le faisceau de câblage si nécessaire.
	C. Le clavier utilisateur ne fonctionne pas.	C. Remplacer le clavier utilisateur.
	D. Le moteur du souffleur ne fonctionne pas.	D. Remplacer le moteur du souffleur.
8. Le moteur du souffleur ne s'arrête pas lorsque l'on appuie sur le bouton Marche/Arrêt.	A. Le clavier utilisateur ne fonctionne pas.	A. Remplacer le clavier utilisateur.
	B. Le faisceau de câblage est desserré, déconnecté ou endommagé.	B. Vérifier les raccordements du câblage. Remplacer le faisceau de câblage si nécessaire.
	C. La commande ne fonctionne pas.	C. Remplacer la commande.
9. Le mode de purge ne fonctionne pas.	A. Le clavier utilisateur ne fonctionne pas.	A. Remplacer le clavier utilisateur.
	B. La commande ne fonctionne pas.	B. Remplacer la commande.
10. La baignoire ne se purge pas automatiquement.	A. Le souffleur ne fonctionne pas.	A. Remplacer le souffleur.

Garantie

GARANTIE LIMITÉE D'UN AN

Les produits de plomberie KOHLER sont garantis contre tout vice de matériau et de fabrication pendant un an à partir de la date de l'installation.

Si un vice est découvert au cours d'une utilisation normale, Kohler Co. choisira, à sa discrétion, la réparation, le remplacement ou la rectification appropriée après inspection desdits vices par Kohler Co. pendant un (1) an à partir de la date d'installation. Kohler Co. n'est pas responsable des frais d'enlèvement ou d'installation. **L'utilisation de nettoyeurs à l'intérieur du réservoir annule la garantie.**

Pour obtenir le service de garantie, contacter Kohler Co., par l'intermédiaire du vendeur, plombier, centre de rénovation ou revendeur par internet, ou bien par écrit à l'adresse suivante Kohler Co., Attn.: Customer Care Center, 444 Highland Drive, Kohler, WI 53044, USA, ou appeler le 1-800-4-KOHLER (1-800-456-4537) à partir des É.-U. et du Canada, et le 001-800-456-4537 à partir du Mexique, ou consulter le site www.kohler.com aux É.-U., www.ca.kohler.com à partir du Canada, ou www.mx.kohler.com au Mexique.

LES GARANTIES TACITES, Y COMPRIS CELLES DE COMMERCIALITÉ ET D'ADAPTATION À UN USAGE PARTICULIER, SONT EXPRESSÉMENT LIMITÉE À LA DURÉE DE LA PRÉSENTE GARANTIE. KOHLER CO. ET/OU LE REVENDEUR DÉCLINENT TOUTE RESPONSABILITÉ CONTRE LES DOMMAGES PARTICULIERS, ACCESSOIRES OU INDIRECTS. Certains états et provinces ne permettent pas de limite sur la durée de la garantie tacite, ni l'exclusion ou la limite des dommages particuliers, accessoires ou indirects, et, par conséquent, lesdites limites et exclusions peuvent ne pas s'appliquer à votre cas. Cette garantie vous donne des droits juridiques particuliers. Vous pouvez également avoir d'autres droits qui varient d'un état ou d'une province à l'autre.

Ceci constitue la garantie écrite exclusive de Kohler Co.

Garantie

Pour le Mexique

KOHLER CO.

Il est recommandé de s'assurer qu'il ne manque aucun accessoire ou composant dans l'emballage au moment de l'achat.

Ce produit Kohler est garanti contre tout défaut de matériel et de fabrication pour une période d'un (1) an à partir de la date d'achat tel qu'indiqué sur la facture ou le reçu de caisse.

1. Kohler Co. effectuera seulement un entretien de ses produits commercialisés à travers son réseau de distributeurs agréés.
2. Pour obtenir un service-garantie, présenter la facture et le certificat de garantie du produit correspondant.
3. Kohler Co. s'engage, par l'intermédiaire de ses distributeurs autorisés, à réparer ou à remplacer tout produit défectueux par un modèle équivalent (dans les cas où les modèles ne sont plus fabriqués) lorsque le produit ne peut pas être réparé, sans frais pour le consommateur.
4. Le temps de réparation n'excédera pas six (6) semaines à compter de la date de réception du produit.
5. Il est recommandé que le consommateur conserve la facture ou le ticket de caisse comme mesure de protection supplémentaire, car ceux-ci pourraient remplacer la garantie dans le cas d'erreur de validité de la garantie.

EXCEPTIONS ET RESTRICTIONS

La garantie perdra sa validité dans les cas suivants:

1. Lorsque le produit n'est pas utilisé conformément aux instructions d'utilisation et de fonctionnement indiquées dans le guide du propriétaire ou dans les instructions d'installation, et quand les recommandations et mises en garde ne sont pas respectées.
2. Quand le produit a été partiellement ou totalement modifié ou démonté, ou s'il a été utilisé d'une façon négligée ayant pour conséquence un endommagement causé par le consommateur, une personne ou un matériel non autorisé par Kohler Co.
3. Cette garantie ne couvre pas les dommages issus de catastrophes telles que les incendies ou les catastrophes naturelles, y compris les inondations, les tremblements de terre, les orages électriques, etc. Pour obtenir une liste des distributeurs dans votre région auprès desquels il est possible d'exercer ses droits dans le cadre de la présente garantie, composer le 001-800-456-4537.

KOHLER CO., KOHLER, WI 53044 U.S.A.

IMPORTATEUR:

COMERCIALIZADORA INTERCERAMIC, S.A. DE C.V.

AV. CARLOS PACHECO NO. 7200, COL. MADERA 65

CHIHUAHUA, CHIH., MEXICO C.P. 31060

R.F.C. CIN141022IE9

TÉL.: 52 (614) 429-11-11

IMPORTATEUR:

GAMA MATERIALES Y ACEROS, S.A. DE C.V.

AVE LOS ANGELES NO. 1800

COL VALLE DEL NOGALAR, SAN NICOLAS DE LOS GARZA

N.L. MEXIQUE

R.F.C. GMA901220U11

TÉL.: 81-1160-5500

Guía de instalación y cuidado

Bañera de hidromasaje con jets de aire

Instalación estándar

Instrucciones de instalación



ADVERTENCIA: Al usar aparatos eléctricos siempre cumpla las precauciones básicas, incluidas las siguientes:



PELIGRO: Riesgo de sacudidas eléctricas. Conecte solo a un circuito protegido por un interruptor de circuito con pérdida a tierra (GFCI)*.

El material de construcción y el cableado se deben colocar alejados de la bomba, del motor soplador y de otros componentes de la unidad que produzcan calor.

Instale de manera que quede acceso para dar servicio.

El compartimiento de cables incluye un conector a presión marcado "Earth/Ground" (tierra). Para reducir el riesgo de una sacudida eléctrica, conecte este conector al terminal de tierra de su tablero eléctrico o al panel de suministro eléctrico con un cable de cobre del tamaño equivalente al conductor del circuito que alimenta este equipo.

En el exterior de la bomba o del control de esta unidad se incluye un conector a presión para permitir la conexión de un conductor equipotencial entre esta unidad y el metal expuesto en las proximidades, tal y como lo requieran las normas locales.

Se requiere conexión a tierra. Un representante autorizado de servicio debe instalar esta unidad y conectarla a tierra.



ADVERTENCIA: Riesgo de lesiones personales o de daños a la propiedad. Lea atentamente todas las instrucciones antes de comenzar la instalación, además de los requisitos detallados a continuación.



ADVERTENCIA: Riesgo de sacudidas eléctricas. Un electricista calificado debe hacer todas las conexiones eléctricas.



ADVERTENCIA: Riesgo de sacudidas eléctricas. Desconecte el suministro eléctrico antes de dar servicio.

AVISO: Cumpla todos los códigos locales de electricidad y de plomería. En Canadá, instale la unidad conforme al Código Eléctrico Canadiense, Parte 1.

*Fuera de Estados Unidos, es posible que este dispositivo se conozca como dispositivo de corriente residual (RCD, por sus siglas en inglés).

Información sobre el producto

Requisitos eléctricos

La instalación debe contar con interruptores de circuito con pérdida a tierra (GFCI) de Clase A. Los GFCI protegen contra el peligro de sacudida eléctrica de línea a tierra. **Utilice circuitos eléctricos dedicados de 120 V, 15 A, 60 Hz para la motobomba y el soplador.**

Los modelos "H" requieren un circuito dedicado de 120 V, 15 A y 60 Hz para el calentador.

Si el cable de fuente de alimentación eléctrica está dañado, debe ser reemplazado por el fabricante, su agente de servicio o personas igualmente calificadas para así evitar un peligro. El cable eléctrico del calentador no se puede reemplazar. Si el cable eléctrico del calentador está dañado, el calentador se debe reemplazar.

Información sobre el producto (cont.)

Avisos sobre el producto



ADVERTENCIA: Las modificaciones no autorizadas pueden causar funcionamiento peligroso y bajo rendimiento de la bañera. No cambie la ubicación de la motobomba ni del motor soplador, ni haga otras modificaciones al sistema de la bañera de hidromasaje, pues esto podría tener un efecto adverso en el rendimiento y en el funcionamiento seguro del producto. Kohler Co. no será responsable bajo su garantía, o de ninguna otra forma, de lesiones personales o daños provocados por modificaciones no autorizadas.

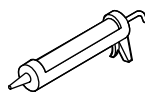
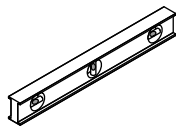
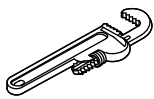
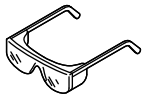
AVISO: Mantenga limpia y sin suciedad el área alrededor del soplador. Asegúrese de que en el área alrededor del soplador no haya aserrín, material aislante, suciedad ni otras partículas sueltas pequeñas. Dichos materiales pueden tapan los conductos de aire del soplador y reducir el flujo de aire a través del soplador.

AVISO: Este producto tiene un modo de purga automática de agua que enciende el soplador durante 2 minutos aproximadamente 30 minutos después de apagar y vaciar la unidad.

Características

Los componentes instalados en fábrica incluyen una motobomba, un calentador (modelos H), y un motor soplador (cada uno con un cable de fuente de alimentación independiente), jets de hidromasaje, tubería de aire, un interruptor de aire, y teclado. Además del cableado eléctrico y de la instalación de plomería, no es necesario realizar ningún otro tipo de ensamblaje.

Herramientas y materiales



Más:

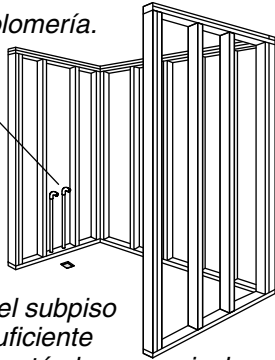
- Herramientas y materiales convencionales de carpintería
- Lona
- Adhesivo de construcción (opcional)
- Cemento* o mortero (opcional)
- Postes de madera de 2x4

* No utilice cemento de yeso.

Sellador 100% de silicona

Encajonado entre tres paredes

Coloque las tuberías de plomería.

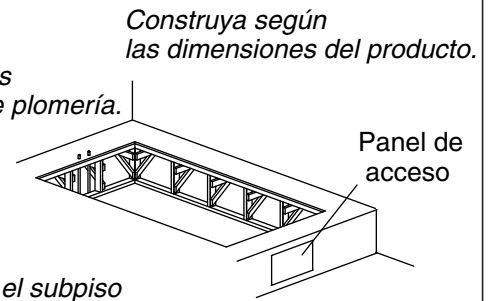


Verifique que el subpiso proporcione suficiente soporte y que esté plano y a nivel.

Construya una estructura de postes de madera de 2x4 según las dimensiones del producto.

De sobreponer

Coloque las tuberías de plomería.



Verifique que el subpiso proporcione suficiente soporte y que esté plano y a nivel.

1. Prepare el sitio

AVISO: Mida su producto para preparar el lugar. Fíjese en el **número de modelo** ubicado en el extremo que lleva la bomba/el soplador de la bañera, luego visite la página del producto en www.kohler.com para obtener información adicional.

AVISO: Los modelos de sobreponer **no** están diseñados para instalaciones encajonadas entre tres paredes. Utilice un modelo con reborde para encajonados entre tres paredes.

AVISO: Proporcione ventilación adecuada y un espacio de aire libre mínimo de 15 pies cúbicos (0,4 metros cúbicos) en el lugar de la instalación para enfriar el motor y suministrar suficiente aire al soplador. No instale el motor soplador a menos de 1" (25 mm) de la pared o de otros objetos.

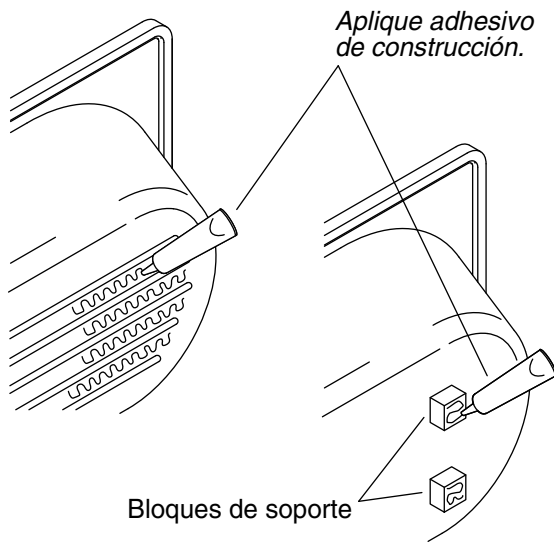
AVISO: Provea amplio acceso y sin restricciones a la bomba y al soplador. El acceso debe quedar justo junto a la bomba, al soplador y a los controles para dar servicio.

AVISO: No apoye el peso de la bañera sobre el reborde.

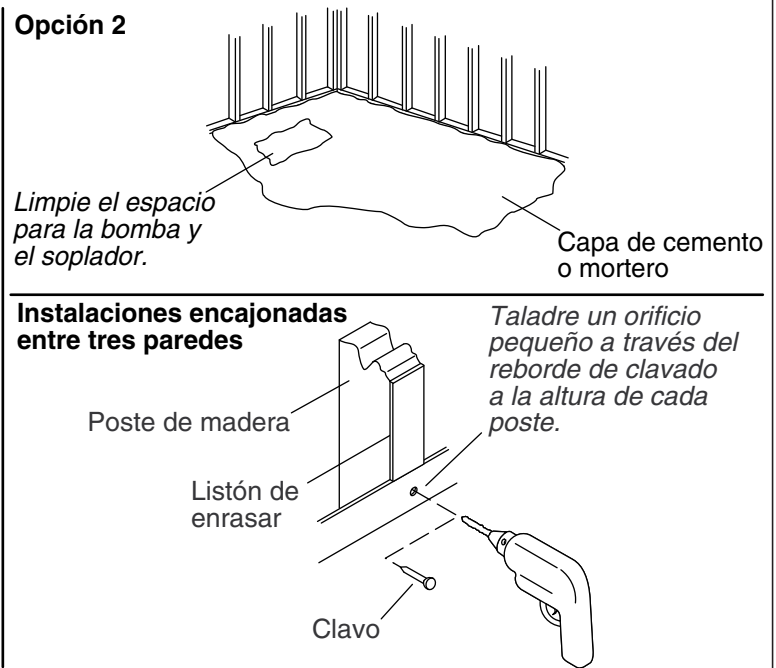
NOTA: Dependiendo del producto elegido, es posible realizar una instalación de sobreponer o encajonada entre tres paredes.

- Antes de la instalación, saque las piezas de la caja y revise que la bañera nueva no presente daños. Si la bañera presenta daños, no la instale; comuníquese con su distribuidor.
- Verifique que el piso proporcione el soporte adecuado para su bañera, y que el subpiso esté plano y nivelado.
- Construya una estructura de postes de madera de 2x4.
- Instale un panel de acceso en el lado de la bañera que lleva la bomba/soplador para dar servicio. Este panel de acceso debe tener por lo menos 30" (762 mm) de ancho y 15" (381 mm) de alto.
- Instale el tendido de plomería.
- Instale el desagüe en la bañera de acuerdo a las instrucciones del fabricante del desagüe.
- Coloque una lona limpia en el fondo para proteger la superficie de la bañera.

Opción 1



Opción 2



2. Instale la bañera

AVISO: No levante la bañera por los tubos o por el soplador, ni los utilice como soporte estructural de la bañera. Para evitar daños a la bañera, levántela por el reborde a los lados de la bañera.

- Si el subpiso no está nivelado, coloque cuñas en los bloques de soporte de la bañera como sea necesario.
- **Opción 1: Adhesivo de construcción:** Aplique una cantidad abundante de adhesivo de construcción de alta calidad en la parte inferior de los bloques de soporte o de los soportes moldeados.
- **Opción 2: Capa de cemento o mortero:** Aplique de 1" (25 mm) a 2" (51 mm) de cemento mortero en el área de instalación. No utilice cemento de yeso o pasta para paneles de yeso, ya que no proporcionan adherencia aceptable ni duradera.

¡IMPORTANTE! Tenga cuidado de no pellizcar o aplastar el tubo flexible al colocar la bañera en su lugar.

- Con ayuda, coloque con cuidado la bañera en su lugar. Mueva el tubo flexible para alejarlo de los puntos de pellizco.

Corte las cintas flejadoras que sujetan la bomba

¡IMPORTANTE! Realice este paso para que la bañera de hidromasaje funcione más silenciosamente.

- Corte las dos cintas flejadoras de la bomba en la bañera de hidromasaje.

NOTA: No suba la bomba más arriba de lo que estaba antes de cortar las cintas metálicas. Si la bomba está demasiado alta, no cebará correctamente. Asegúrese de que las patas aislantes de goma estén en su lugar.

Instalación de sobreponer

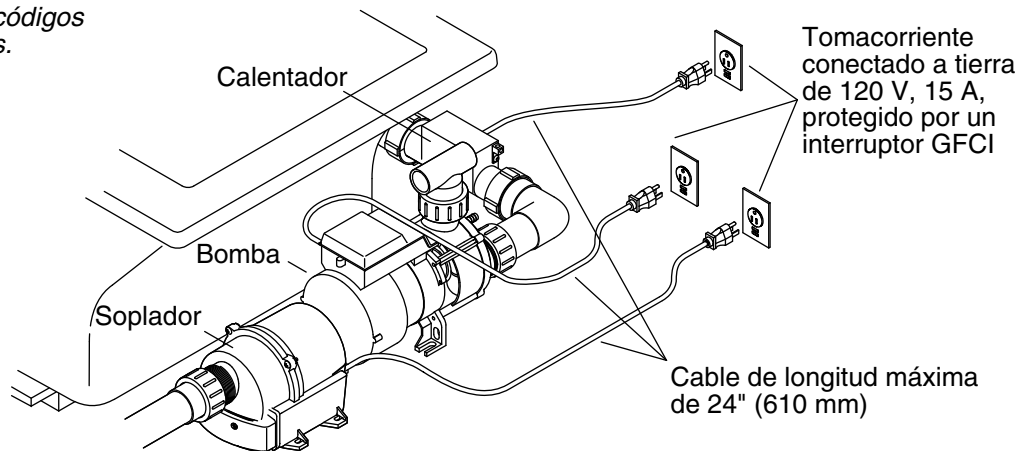
- Instale la T del desagüe y el tubo final. Fije el tubo final en la trampa.
- Instale la válvula de la grifería.
- Revise que no haya fugas en las conexiones de desagüe.

Instalación encajonada entre tres paredes

Instale la bañera (cont.)

- Taladre un pequeño orificio guía a través de la pestaña para clavar en cada poste de madera. Agregue cuñas según sea necesario.
- Utilice clavos galvanizados de cabeza grande para fijar la pestaña para clavar a los postes.
- Clave listones de enrasar de 1/4" (6 mm) a los postes.
- Introduzca el tubo final de desagüe en la trampa. Fije el tubo final de desagüe a la trampa.
- Instale la válvula de la grifería.
- Revise que no haya fugas en las conexiones de desagüe.

Cumpla con los códigos correspondientes.



3. Realice las conexiones eléctricas – EE.UU. y México



ADVERTENCIA: Riesgo de sacudidas eléctricas. Asegúrese de desconectar la corriente eléctrica antes de realizar los siguientes procedimientos.



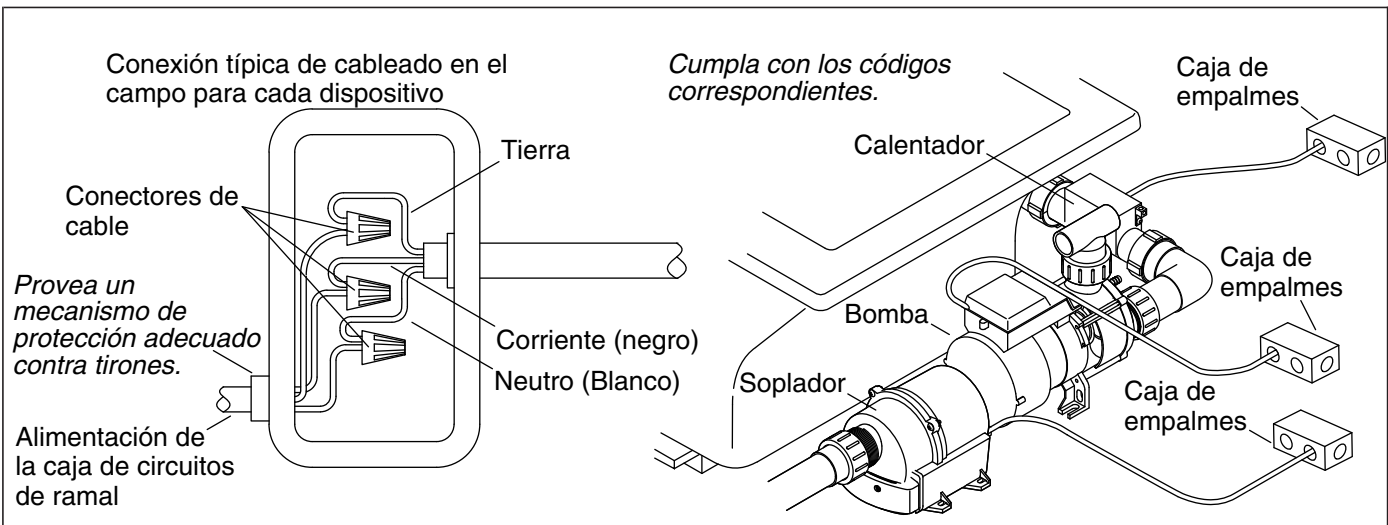
ADVERTENCIA: Riesgo de sacudidas eléctricas. Conecte la motobomba y el calentador en línea (si provisto) y el soplador a un tomacorriente con conexión a tierra que tenga protección mediante un interruptor de circuito con pérdida a tierra (GFCI) o dispositivo de corriente residual (RCD). No retire las clavijas de conexión a tierra de los enchufes. No utilice adaptadores de conexión a tierra.

AVISO: La motobomba, el calentador en línea (si se incluye), y el soplador están equipados con cables y enchufes. Un electricista calificado debe instalar un tomacorriente dedicado conectado a tierra, de 120 V, 15 A con protección mediante un interruptor GFCI o RCD para **cada** aparato. El circuito no debe tener ninguna otra carga.

NOTA: Una etiqueta que identifica el número de modelo y la capacidad nominal eléctrica del producto se encuentra cerca de la bomba de hidromasaje.

- Instale los tomacorrientes eléctricos detrás de la bañera, por lo menos a 1-1/2" (38 mm) arriba del subpiso y dentro del alcance de los cables eléctricos de 24" (610 mm).
- Enchufe la motobomba, el soplador y el calentador en línea (si se incluye) en estos tomacorrientes.

NOTA: Asegúrese de que el tubo del accionador de aire esté bien conectado a la bomba y que no esté doblado ni dañado.



4. Realice las conexiones eléctricas – Canadá



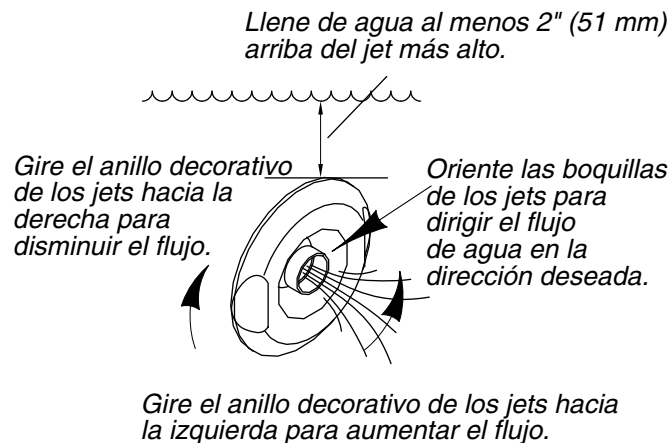
ADVERTENCIA: Riesgo de sacudidas eléctricas. Asegúrese de desconectar la corriente eléctrica antes de realizar los siguientes procedimientos.



ADVERTENCIA: Riesgo de sacudidas eléctricas. Conecte la motobomba, el calentador en línea (si se incluye) y el soplador a un interruptor de circuito con pérdida a tierra (GFCI) o a un dispositivo de corriente residual (RCD) con conexión a tierra. Esto sirve de protección adicional contra el peligro de sacudida eléctrica de línea a tierra.

NOTA: Una etiqueta que identifica el número de modelo y la capacidad nominal eléctrica de la bañera de hidromasaje se encuentra cerca de la bomba de hidromasaje.

- Coloque y fije cada caja de empalmes provista a un mínimo de 1-1/2" (38 mm) arriba del subpiso.
- El cableado de los controles y del sistema de la bañera de hidromasaje se ha realizado en la fábrica. Un electricista calificado debe realizar las conexiones eléctricas a la caja de empalmes.
- Conecte el cable de servicio eléctrico a la caja de empalmes. La caja de empalmes de 60 Hz tiene cables de corriente de línea (negro) y neutro (blanco), y una lengüeta de conexión a tierra.
- Se requiere un circuito dedicado de 120 V, 15 A para cada dispositivo. Proporcione un GFCI o RCD Clase A para cada circuito dedicado.
- Provea un conductor de conexión a tierra del equipo por separado para la lengüeta de conexión a tierra o tierra interior. El conductor **no debe** estar conectado a ningún otro conductor portador de corriente.
- Haga conexiones equipotenciales de acuerdo a los códigos nacionales y locales.



5. Termine de hacer la instalación

Pruebe el funcionamiento de la bañera

- Llene la bañera por lo menos 2" (51 mm) arriba del jet más alto.
- Cierre el flujo de agua a la bañera, y deje el agua en la bañera cinco minutos. Revise que no haya fugas en ninguna de las conexiones de las tuberías. Verifique que no haya fugas a lo largo del frente, los lados y la parte posterior de la bañera.
- Encienda el soplador y déjelo funcionar durante 5 minutos. Verifique que funcione sin dificultades.
- Para obtener información adicional sobre el funcionamiento de la bañera, consulte las secciones "Funcionamiento del sistema de hidromasaje" y "Funcionamiento del sistema de aire".

Termine de hacer la instalación

- Instale panel de yeso impermeable y todos los materiales de acabado de la pared, la cubierta y el piso.
- Aplique sellador de silicona para sellar todos los lugares donde hacen contacto la bañera y la pared acabada o la cubierta.
- Instale la guarnición de la grifería.

Limpieza después de la instalación

- Al limpiar después de la instalación, **no utilice productos de limpieza abrasivos** ya que pueden rayar y opacar la superficie de la bañera. Utilice agua tibia y detergente líquido para limpiar la superficie de la bañera.
- Limpie las manchas difíciles de quitar o la pintura, con aguarrás o con diluyente de pintura. **No permita que los productos de limpieza que contengan destilados de petróleo permanezcan en contacto con la superficie de la bañera durante periodos prolongados.** Para retirar el yeso, raspe con cuidado con un canto de madera. No utilice raspadores de metal, cepillos de alambre ni otras herramientas metálicas. Se puede utilizar detergente en polvo con un trapo húmedo para ejercer una acción abrasiva suave en los residuos de yeso.

Instrucciones importantes de seguridad
LEA Y SIGA TODAS LAS INSTRUCCIONES
GUARDE ESTAS INSTRUCCIONES

Instrucciones importantes de seguridad (cont.)
INSTRUCCIONES RELATIVAS A LOS RIESGOS DE INCENDIO, SACUDIDA ELÉCTRICA O LESIONES PERSONALES



ADVERTENCIA: Al usar aparatos eléctricos siempre cumpla las precauciones básicas, incluidas las siguientes:



PELIGRO: Riesgo de lesiones personales o ahogamiento. Para reducir el riesgo de lesiones, no permita que los niños usen este producto sin supervisión estricta en todo momento.



ADVERTENCIA: Riesgo de lesiones personales. Para evitar lesiones, tenga cuidado al entrar y al salir de la bañera.



ADVERTENCIA: Riesgo de sacudidas eléctricas. No coloque aparatos eléctricos (como secador de pelo, lámparas, teléfono, radio o televisión) a menos de 5 pies (1,5 m) de esta bañera.



ADVERTENCIA: El uso de alcohol, drogas o medicamentos puede aumentar enormemente el riesgo de sufrir hipertermia fatal. La inmersión prolongada en agua caliente puede producir hipertermia. Ocurre hipertermia cuando la temperatura interna del cuerpo alcanza un nivel varios grados más arriba de la temperatura corporal normal de 98,6°F (37°C). Los síntomas de hipertermia incluyen aumento de temperatura corporal interna, mareos, letargo, somnolencia y desfallecimiento. Los efectos de hipertermia incluyen: (a) incapacidad para percibir calor, (b) incapacidad para reconocer la necesidad de salir de la bañera, (c) inconsciencia de un peligro inminente, (d) daño al feto en mujeres embarazadas, (e) inhabilidad física para salir de la bañera y (f) pérdida del conocimiento con peligro de ahogarse.



ADVERTENCIA: Riesgo de lesiones mortales. Las mujeres embarazadas o que posiblemente estén embarazadas deben consultar a un médico antes de usar la bañera.



ADVERTENCIA: Riesgo de hipertermia o ahogamiento. No utilice la bañera inmediatamente después de hacer ejercicio.



ADVERTENCIA: Riesgo de hipertermia o ahogamiento. La temperatura del agua superior a 100°F (38°C) puede causar lesiones. Pruebe y ajuste la temperatura del agua antes de usar la bañera.



ADVERTENCIA: Riesgo de lesiones personales. No deje caer ni introduzca objetos en ninguna de las aberturas.

Use esta bañera únicamente con el fin para el que ha sido fabricada, tal como se explica en esta guía. No use equipos adicionales que no recomiende Kohler Co.

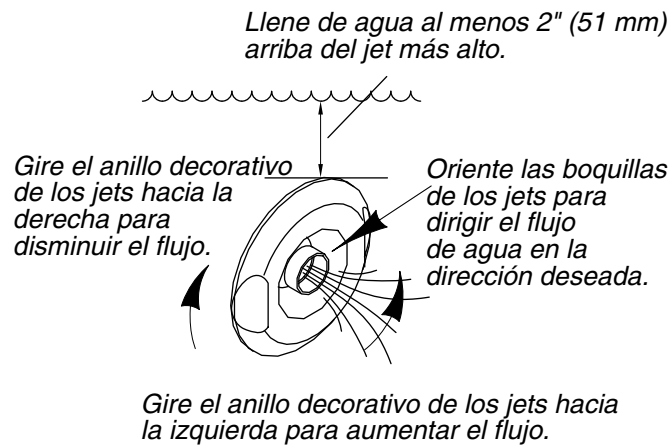
La bañera se debe conectar a un circuito protegido por un interruptor de circuito con pérdida a tierra (GFCI)*. El instalador debe suministrar dicho interruptor GFCI, cuyo funcionamiento debe probarse en forma rutinaria. Para probar el GFCI, oprima el botón de prueba. El GFCI debe interrumpir el suministro eléctrico. Oprima el botón de restablecer (Reset). Esto debe restablecer el suministro eléctrico. Si el GFCI no funciona de esta manera, significa que está averiado. Si el GFCI interrumpe la alimentación eléctrica a la bañera sin que se haya activado el botón de prueba, significa que fluye corriente a tierra, lo que indica la posibilidad de una sacudida eléctrica. No utilice esta bañera. Desconecte la bañera y solicite que un representante de servicio autorizado solucione el problema.

Limpie el sistema de hidromasaje dos o más veces al mes, de acuerdo al uso, tal como se describe en la sección "Haga circular agua para limpiar el sistema" de esta guía.

El uso constante de productos de higiene personal que contengan aceites puede dañar los componentes plásticos de la bañera de hidromasaje. Evite el uso de aceites de baño.

La acción del hidromasaje puede hacer que una pequeña cantidad de líquidos para hacer burbujas, champú, jabón o aceite de baño, espume en exceso. Por esta razón, no utilice estos productos durante el funcionamiento de la bañera de hidromasaje.

*Fuera de Estados Unidos, es posible que este dispositivo se conozca como dispositivo de corriente residual (RCD, por sus siglas en inglés).



Funcionamiento del sistema de hidromasaje

NOTA: Esta bañera es una combinación de bañera de hidromasaje con jets de aire. Para obtener información sobre el uso de las funciones de aire, consulte la sección "Funcionamiento del sistema de aire".

Encienda/apague los jets de hidromasaje

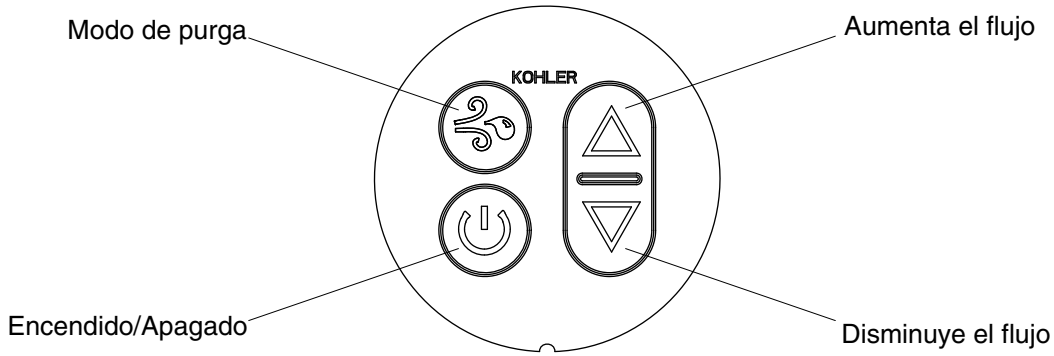
NOTA: La temperatura del agua en la bañera nunca debe exceder 104°F (40°C).

- Cierre el desagüe, luego llene la bañera por lo menos 2" (51 mm) arriba del jet más alto.
- Pruebe la temperatura del agua con la mano para asegurar que sea cómoda y segura, y luego entre con cuidado a la bañera.
- Oprima el interruptor de aire para encender la bomba.

NOTA: El calentador, si está equipado, se encenderá automáticamente.

- Ajuste los jets para obtener una mezcla óptima de aire/agua. Gire los anillos decorativos del jet hacia la derecha para reducir el flujo o hacia la izquierda para aumentarlo. Oriente las boquillas de los jets para dirigir el flujo de agua en la dirección deseada.
- Oprima el interruptor de aire por segunda vez para apagar la bomba.
- Salga con cuidado de la bañera, luego abra el desagüe para vaciar el agua.

NOTA: Si el sistema de hidromasaje no funciona correctamente, consulte la sección "Guía para resolver problemas".



Funcionamiento del sistema de aire

NOTA: Esta bañera es una combinación de bañera de hidromasaje con jets de aire. Para obtener información sobre el uso de las funciones de hidromasaje, consulte la sección "Funcionamiento del sistema de hidromasaje".

¡IMPORTANTE! Este producto tiene un modo de purga automática de agua que enciende el soplador durante 2 minutos aproximadamente 30 minutos después de apagar y vaciar la unidad.

NOTA: La temperatura del agua en la bañera nunca debe exceder 104°F (40°C).

- Cierre el desagüe, luego llene la bañera por lo menos 2" (51 mm) arriba del jet de hidromasaje más alto para proveer un suministro de agua adecuado para el sistema de aire.
- Pruebe la temperatura del agua con la mano para asegurar que sea cómoda y segura, y luego entre con cuidado a la bañera.
- Oprima el icono [Encendido/Apagado] para encender el soplador a una velocidad media.
- Oprima los iconos de flecha hacia [Arriba] o [Abajo] para aumentar o disminuir el flujo de aire.

NOTA: El soplador se apaga automáticamente después de 20 minutos de funcionamiento, y si desea puede volver a encenderlo inmediatamente.

- Vuelva a oprimir el icono [Encendido/Apagado] por segunda vez para apagar el soplador.
- Salga con cuidado y vacíe la bañera.
- Oprima el icono [Modo de purga] para soplar el agua restante de los canales de aire. El soplador se enciende durante 2 minutos y luego se apaga automáticamente.

NOTA: Aproximadamente 30 minutos después de apagado el motor soplador, se enciende automáticamente un modo de purga de 2 minutos.

NOTA: Si la bañera no funciona correctamente, consulte la sección "Guía para resolver problemas".

Cuidado y limpieza

Para obtener los mejores resultados tenga presente lo siguiente al limpiar su bañera KOHLER:

- Siempre pruebe la solución de limpieza en un área oculta antes de aplicarla a toda la superficie.
- **No utilice disolventes ni limpiadores abrasivos.** Los disolventes y productos de limpieza abrasivos pueden dañar la superficie del producto.
- Limpie con un paño las superficies, y enjuague completa e inmediatamente con agua después de haber aplicado algún limpiador. Enjuague y seque las superficies cercanas que hayan recibido salpicaduras.
- No deje mucho tiempo los limpiadores en las superficies.

Cuidado y limpieza (cont.)

- Utilice una esponja humedecida o un paño suave y húmedo. Para limpiar las superficies nunca utilice materiales abrasivos, como cepillos o estropajos de tallar.
- La técnica de limpieza ideal es enjuagar muy bien y secar el agua de la superficie después de cada uso.

Mantenimiento de los jets de aire

- Si es necesario limpiar los jets de aire debido a depósitos minerales del agua dura, moje un trapo suave, no abrasivo, con vinagre blanco y limpie los orificios del jet de aire que estén tapados. Enjuague inmediatamente el área con agua limpia para evitar la exposición prolongada de la superficie del jet de aire al vinagre.
- Llene la bañera de agua hasta la fila superior de jets de aire. Drene la bañera y oprima el botón de purga.

Limpieza del teclado

- Utilice un paño suave para limpiar el teclado después de cada uso. Si la superficie se ensucia, limpie con un jabón no abrasivo y agua tibia.

Para obtener información detallada de limpieza y de productos a considerar, visite www.kohler.com/clean. Para solicitar información sobre el cuidado y la limpieza, llame al 1-800-456-4537.

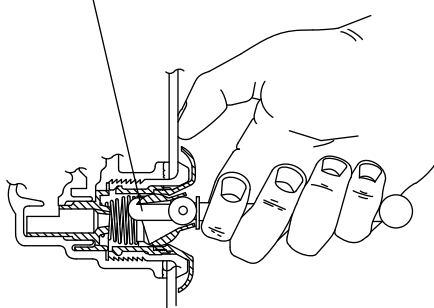
Haga circular agua para limpiar el sistema

NOTA: Limpie el sistema de hidromasaje dos o más veces al mes, de acuerdo al uso.

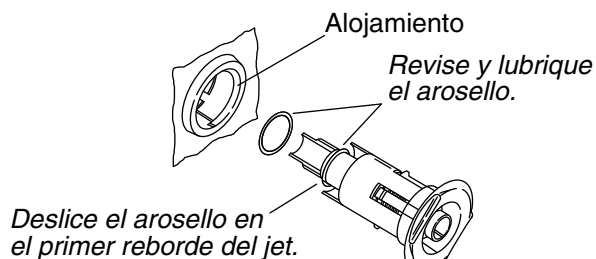
- Gire los anillos decorativos de los jets completamente hacia la derecha para reducir la inducción de aire.
- Llene la bañera de hidromasaje con agua caliente a un nivel por lo menos 2" (51 mm) arriba del jet más alto.
- Añada al agua 2 cucharaditas (10 ml) de detergente para lavaplatos automático que produzca poca espuma y 20 onzas (590 ml) de blanqueador para uso doméstico (hipoclorito de sodio al 5 % a 6 %).
- Haga funcionar la bañera de hidromasaje de 5 a 10 minutos. Apague la bañera de hidromasaje y vacíela.
- Si lo desea, enjuague las superficies de la bañera con agua.
- Enjuague las superficies de los jets, la grifería, las agarraderas y el desagüe y seque con un paño suave.

Retire los jets

Inserte el gancho de la herramienta tal como se ilustra, y saque el jet del alojamiento. Al hacer esto, el jet debe estar orientado hacia arriba.



Vuelva a instalar los jets



Inserte el jet en el alojamiento, y empuje y gire ligeramente hasta que encaje en su lugar.

Resolución de problemas

AVISO: El propósito de esta sección es solo ayuda general. Todos los problemas eléctricos deben ser resueltos por un representante de servicio autorizado de Kohler Co. o un electricista calificado. Para obtener el servicio de garantía, llame 1-800-4KOHLER desde EE.UU. y Canadá, o al 001-800-456-4537 desde México.

Para consultar información sobre piezas de repuesto, visite la página de su producto en www.kohler.com/serviceparts.

Retire los jets

NOTA: Se ha incluido una herramienta especial junto a los jets de repuesto, para retirar los jets de la bañera de hidromasaje. Esta herramienta también se incluye con cada kit de guarnición.

- Coloque la boquilla esférica del jet de manera que apunte hacia arriba.
- Inserte la herramienta de extracción, con el gancho hacia arriba, en la abertura del jet y enganche la parte superior interior de la boquilla.
- Sostenga la herramienta con firmeza y coloque el dedo pulgar contra la pared de la bañera de hidromasaje. Tire de la herramienta de manera uniforme hasta que el ensamblaje de jets salga del orificio. Tenga cuidado de no perder el arosello (O-ring).

Vuelva a instalar los jets

NOTA: Para permitir que el jet gire fácilmente y funcione correctamente, el arosello debe estar: (1) bien colocado, (2) lubricado y (3) en buenas condiciones.

- Instale el arosello en el **primer reborde** del jet.
- Utilice el paquete del tubo de silicona (que se incluye) para lubricar el arosello, con el fin de evitar un funcionamiento ruidoso del jet.
- Inserte con cuidado el jet en el alojamiento, luego empuje levemente y gire el jet hasta que encaje en su lugar. **No fuerce el jet.**
- Verifique que el jet esté instalado correctamente. El jet debe girar sin problemas en ambos sentidos. Retire y vuelva a instalar, si es necesario.

Resolución de problemas (cont.)

Sistema de hidromasaje

Síntomas	Causas probables	Acción recomendada
1. La bañera de hidromasaje no se enciende o no se apaga.	A. El motor no recibe alimentación eléctrica.	A. Verifique que la bomba y que el calentador estén enchufados y que el interruptor GFCI o RCD esté en la posición correcta. Enchufe o restablezca (reset) el interruptor GFCI/RCD, según sea necesario.
	B. La manguera de aire está suelta o desconectada.	B. Verifique que la manguera esté conectada tanto al extremo de la bomba/el receptor como al interruptor de aire. Vuelva a conectar si es necesario.
	C. La manguera de aire está pellizcada o doblada.	C. Ajuste la manguera para eliminar el área pellizcada/doblada. Si el tubo está pellizcado/doblado y no es posible ajustarlo, o bien no se ve la sección pellizcada/doblada, haga un orificio pequeño en el tubo con una tachuela y vuelva a probar el sistema.
	D. El ensamblaje del botón pulsador está dañado.	D. Cambie el ensamblaje del botón pulsador.
	E. El botón pulsador tiene grasa en el área de purga.	E. Desensamble el ensamblaje del botón pulsador y limpie el exceso de grasa. Vuelva a ensamblar el ensamblaje del botón pulsador y vuelva a probar el sistema.
	F. La manguera de aire está dañada.	F. Cambie la manguera de aire.
	G. El motor/la bomba no funciona.	G. Cambie el motor/la bomba.
2. El motor arranca, pero no todos los jets funcionan.	A. El jet está cerrado.	A. Gire el anillo decorativo del jet hacia la izquierda para abrirlo.
	B. El jet no está instalado correctamente.	B. Vuelva a instalar el jet; revise que el arosello no esté dañado.
	C. Los jets están tapados.	C. Elimine la obstrucción.
3. La bomba no ceba.	A. La bomba se ha acuñado demasiado alto.	A. Baje la ménsula de soporte de la bomba.
4. Funcionamiento ruidoso.	A. Las cintas flejadoras de la bomba no han sido cortadas. (Solo modelos con bloques de soporte).	A. Corte las cintas flejadoras con tijeras para chapa.
	B. El arosello del jet está mal colocado.	B. Retire el jet, cambie y lubrique el arosello, y vuelva a instalar el jet.
5. El calentador no funciona. (Solo modelos "H")	A. El calentador no recibe alimentación eléctrica.	A. Restablezca el GFCI o RCD.
	B. La temperatura del agua excede 104°F (40°C).	B. Deje enfriar el agua y el calentador se reactivará.
	C. El calentador no funciona.	C. Cambie el calentador.

Sistema de aire

Síntomas	Causas probables	Acción recomendada
1. El soplador se enciende por sí mismo después de haber vaciado la bañera.	A. Funcionamiento normal. El modo de purga automática está funcionando según se diseñó.	A. No se requiere acción alguna. El modo de purga automática funciona durante 2 minutos, 30 minutos después de haber vaciado la bañera.

Resolución de problemas (cont.)

Sistema de aire

Síntomas	Causas probables	Acción recomendada
2. El motor soplador se apaga por sí mismo después de funcionar durante dos minutos.	A. Se oprimió el icono de modo de purga en vez del icono de encendido/apagado.	A. Oprima el icono de encendido/apagado en el teclado. Consulte la sección "Instrucciones de funcionamiento".
3. El motor soplador no se enciende.	A. El cable de alimentación eléctrica del motor soplador está suelto, desconectado o dañado.	A. Revise que los cables estén correctamente conectados.
	B. El cable para el teclado está suelto o dañado.	B. Revise las conexiones de los cables. De ser necesario, cambie el cable del teclado del usuario.
	C. El teclado del usuario no funciona.	C. Cambie el teclado del usuario.
	D. El motor soplador no funciona.	D. Cambie el motor soplador.
4. El motor soplador deja de funcionar y no se enciende de inmediato.	A. El motor soplador se ha sobrecalentado y se ha activado el dispositivo de protección.	A. Verifique que no haya obstrucciones en la entrada de aire del soplador. Elimine la obstrucción y deje enfriar el motor.
5. El motor soplador arranca, pero no todos los jets de aire funcionan.	A. La velocidad del motor soplador es demasiado baja.	A. Aumente la velocidad.
	B. La entrada del motor soplador está obstruida.	B. Limpie la entrada del motor soplador.
	C. El motor soplador no funciona.	C. Cambie el motor soplador.
	D. La descarga del motor soplador está obstruida.	D. Elimine la obstrucción.
	E. Los jets de aire están tapados.	E. Utilice un cepillo interdental pequeño y vinagre blanco. Sumerja el cepillo en el vinagre, cepille el orificio, enjuague el cepillo en agua limpia y luego utilice el cepillo enjuagado para enjuagar el orificio.
6. El motor soplador funciona, pero no se observan burbujas de aire.	A. La entrada del motor soplador está obstruida.	A. Limpie la entrada del motor soplador.
	B. Los jets de aire están obstruidos.	B. Utilice un cepillo interdental pequeño y vinagre blanco. Sumerja el cepillo en el vinagre, cepille el orificio, enjuague el cepillo en agua limpia y luego utilice el cepillo enjuagado para enjuagar el orificio.
	C. El motor soplador no funciona.	C. Cambie el motor soplador.
7. El motor soplador funciona, se observan burbujas de aire, pero la función de velocidad no funciona.	A. La entrada del motor soplador está obstruida.	A. Limpie la entrada del motor soplador.
	B. El arnés de cableado está suelto, desconectado o dañado.	B. Revise que los cables estén correctamente conectados. Cambie el arnés de cableado de ser necesario.
	C. El teclado del usuario no funciona.	C. Cambie el teclado del usuario.
	D. El motor soplador no funciona.	D. Cambie el motor soplador.
8. El motor soplador no se apaga cuando se oprime el botón de encendido/apagado.	A. El teclado del usuario no funciona.	A. Cambie el teclado del usuario.
	B. El arnés de cableado está suelto, desconectado o dañado.	B. Revise que los cables estén correctamente conectados. Cambie el arnés de cableado de ser necesario.
	C. El control no funciona.	C. Cambie el control.

Resolución de problemas (cont.)

Sistema de aire

Síntomas	Causas probables	Acción recomendada
9. El modo de purga no funciona.	A. El teclado del usuario no funciona.	A. Cambie el teclado del usuario.
	B. El control no funciona.	B. Cambie el control.
10. La bañera no se purga automáticamente.	A. El soplador no funciona.	A. Cambie las pilas.

Garantía

GARANTÍA LIMITADA DE UN AÑO

Se garantizan los productos de plomería KOHLER contra defectos de material y mano de obra durante un año a partir de la fecha de instalación.

Kohler Co., a su criterio, reparará, reemplazará o realizará los ajustes pertinentes en los casos en que la inspección realizada por Kohler Co. determine que dichos defectos hayan ocurrido durante el uso normal en el transcurso de un (1) año a partir de la fecha de instalación. Kohler Co. no se hace responsable de costos de desinstalación o de instalación. **El uso de limpiadores de inodoro que se colocan dentro del tanque anula la garantía.**

Para obtener el servicio de garantía, comuníquese con Kohler Co. a través de su distribuidor, contratista de plomería, centro de remodelación o distribuidor por Internet, o escriba a Kohler Co., Atención: Customer Care Center, 444 Highland Drive, Kohler, WI 53044, EE.UU., o llame al 1-800-4-KOHLER (1-800-456-4537) desde los EE.UU. y Canadá, o al 001-800-456-4537 desde México, o visite www.kohler.com desde los EE.UU., www.ca.kohler.com desde Canadá, o www.mx.kohler.com en México.

TODA GARANTÍA IMPLÍCITA, INCLUIDA LA DE COMERCIALIZACIÓN E IDONEIDAD DEL PRODUCTO PARA UN USO DETERMINADO, SE LIMITA EXPRESAMENTE A LA DURACIÓN DE ESTA GARANTÍA. KOHLER CO. Y/O EL VENDEDOR DESCARGAN TODA RESPONSABILIDAD POR CONCEPTO DE DAÑOS PARTICULARES, INCIDENTALES O INDIRECTOS. Algunos estados/provincias no permiten limitaciones en cuanto a la duración de una garantía implícita o a la exclusión o limitación de daños particulares, incidentales o indirectos, por lo que es posible que estas limitaciones y exclusiones no se apliquen a su caso. Esta garantía le otorga ciertos derechos legales específicos. Además, usted también puede tener otros derechos que varían de estado a estado y de provincia a provincia.

Esta es la garantía exclusiva por escrito de Kohler Co.

Garantía

Para México

KOHLER CO.

Se recomienda que al momento de la compra, se verifique que todos los accesorios y componentes estén completos en esta caja.

Se garantiza este producto Kohler contra defectos en material y mano de obra durante un (1) año a partir de la fecha de compra que aparezca en la factura o en el recibo.

1. Kohler Co. prestará servicio únicamente a los productos comercializados a través de sus distribuidores autorizados.
2. Para obtener el servicio de garantía, favor de presentar la factura de compra y la garantía correspondiente.
3. Kohler Co., a través de sus distribuidores autorizados, se compromete a reparar el producto defectuoso o, cuando la reparación no sea posible, reemplazarlo por uno nuevo o por un modelo equivalente (en caso de que el producto haya sido discontinuado) sin ningún cargo al consumidor.

Garantía (cont.)

4. El tiempo de reparación no excederá seis (6) semanas a partir de la fecha de recepción del producto.
5. Se recomienda al consumidor que conserve el recibo o la factura de compra como protección adicional, pues el mismo puede sustituir a la garantía en caso de que exista discrepancia en cuanto a la validez de la misma.

EXCEPCIONES Y RESTRICCIONES

La garantía no tendrá validez en los siguientes casos:

1. Cuando el producto no se utilice conforme a las instrucciones de uso y funcionamiento que se incluyen en el manual del usuario o en las instrucciones de instalación, y cuando no observen las recomendaciones y las advertencias provistas.
2. Cuando el producto se haya modificado o desmantelado parcial o totalmente, o manipulado de manera negligente y, como consecuencia, haya sufrido daños atribuibles al consumidor, a personas o a herrajes no autorizados por Kohler Co.
3. Esta garantía no cubre los daños que resulten de desastres naturales, tales como incendios o casos de fuerza mayor, como inundaciones, terremotos, tormentas eléctricas, etc. Para obtener una lista de distribuidores cerca de usted y así hacer valer sus derechos bajo esta garantía, llame al 001-800-456-4537.

KOHLER CO., KOHLER, WI 53044 U.S.A.

IMPORTADOR:

COMERCIALIZADORA INTERCERAMIC, S.A. DE C.V.

AV. CARLOS PACHECO NO. 7200, COL. MADERA 65

CHIHUAHUA, CHIH., MÉXICO C.P. 31060

R.F.C. CIN141022IE9

TEL: 52 (614) 429-11-11

IMPORTADOR:

GAMA MATERIALES Y ACEROS, S.A. DE C.V.

AVE. LOS ÁNGELES NO. 1800

COL. VALLE DEL NOGALAR, SAN NICOLÁS DE LOS GARZA

N.L. MÉXICO

R.F.C. GMA901220U11

TEL: 81-1160-5500

USA/Canada: 1-800-4KOHLER

México: 001-800-456-4537

kohler.com

THE BOLD LOOK
OF **KOHLER**®

©2016 Kohler Co.

1208027-2-F