

*If you have questions or comments, contact us.
Pour toute question ou tout commentaire, nous contacter.
Si tiene dudas o comentarios, contáctenos.*

1-800-4-DEWALT • www.dewalt.com

**INSTRUCTION MANUAL
GUIDE D'UTILISATION
MANUAL DE INSTRUCCIONES**

INSTRUCTIVO DE OPERACIÓN, CENTROS DE SERVICIO Y PÓLIZA DE GARANTÍA. **ADVERTENCIA:** LÉASE ESTE INSTRUCTIVO ANTES DE USAR EL PRODUCTO.

DEWALT®

**DCGG570
18V Grease Gun
Pistolet graisseur 18 v
Pistola engrasadora de 18V**

Definitions: Safety Guidelines

The definitions below describe the level of severity for each signal word. Please read the manual and pay attention to these symbols.

⚠ DANGER: Indicates an imminently hazardous situation which, if not avoided, **will** result in **death or serious injury**.

⚠ WARNING: Indicates a potentially hazardous situation which, if not avoided, **could** result in **death or serious injury**.

⚠ CAUTION: Indicates a potentially hazardous situation which, if not avoided, **may** result in **minor or moderate injury**.

NOTICE: Indicates a practice **not related to personal injury** which, if not avoided, **may** result in **property damage**.

IF YOU HAVE ANY QUESTIONS OR COMMENTS ABOUT THIS OR ANY DEWALT TOOL, CALL US TOLL FREE AT: **1-800-4-DEWALT (1-800-433-9258)**.



WARNING: To reduce the risk of injury, read the instruction manual.

General Power Tool Safety Warnings



WARNING! Read all safety warnings and all instructions. Failure to follow the warnings and instructions may result in electric shock, fire and/or serious injury.

SAVE ALL WARNINGS AND INSTRUCTIONS FOR FUTURE REFERENCE

The term "power tool" in the warnings refers to your mains-operated (corded) power tool or battery-operated (cordless) power tool.

1) WORK AREA SAFETY

- a) **Keep work area clean and well lit.** Cluttered or dark areas invite accidents.
- b) **Do not operate power tools in explosive atmospheres, such as in the presence of flammable liquids, gases or dust.** Power tools create sparks which may ignite the dust or fumes.
- c) **Keep children and bystanders away while operating a power tool.** Distractions can cause you to lose control.

2) ELECTRICAL SAFETY

- a) **Power tool plugs must match the outlet. Never modify the plug in any way. Do not use any adapter plugs with earthed (grounded) power tools.** Unmodified plugs and matching outlets will reduce risk of electric shock.
- b) **Avoid body contact with earthed or grounded surfaces such as pipes, radiators, ranges and refrigerators.** There is an increased risk of electric shock if your body is earthed or grounded.
- c) **Do not expose power tools to rain or wet conditions.** Water entering a power tool will increase the risk of electric shock.
- d) **Do not abuse the cord. Never use the cord for carrying, pulling or unplugging the power tool. Keep cord away from heat, oil, sharp edges or moving parts.** Damaged or entangled cords increase the risk of electric shock.
- e) **When operating a power tool outdoors, use an extension cord suitable for outdoor use.** Use of a cord suitable for outdoor use reduces the risk of electric shock.

- f) **If operating a power tool in a damp location is unavoidable, use a ground fault circuit interrupter (GFCI) protected supply.** Use of a GFCI reduces the risk of electric shock.

3) PERSONAL SAFETY

- a) **Stay alert, watch what you are doing and use common sense when operating a power tool. Do not use a power tool while you are tired or under the influence of drugs, alcohol or medication.** A moment of inattention while operating power tools may result in serious personal injury.
- b) **Use personal protective equipment. Always wear eye protection.** Protective equipment such as dust mask, non-skid safety shoes, hard hat, or hearing protection used for appropriate conditions will reduce personal injuries.
- c) **Prevent unintentional starting. Ensure the switch is in the off position before connecting to power source and/or battery pack, picking up or carrying the tool.** Carrying power tools with your finger on the switch or energizing power tools that have the switch on invites accidents.
- d) **Remove any adjusting key or wrench before turning the power tool on.** A wrench or a key left attached to a rotating part of the power tool may result in personal injury.
- e) **Do not overreach. Keep proper footing and balance at all times.** This enables better control of the power tool in unexpected situations.
- f) **Dress properly. Do not wear loose clothing or jewelry. Keep your hair, clothing and gloves away from moving parts.** Loose clothes, jewelry or long hair can be caught in moving parts.
- g) **If devices are provided for the connection of dust extraction and collection facilities, ensure these are connected and properly used.** Use of dust collection can reduce dust-related hazards.

4) POWER TOOL USE AND CARE

- a) **Do not force the power tool. Use the correct power tool for your application.** The correct power tool will do the job better and safer at the rate for which it was designed.
- b) **Do not use the power tool if the switch does not turn it on and off.** Any power tool that cannot be controlled with the switch is dangerous and must be repaired.
- c) **Disconnect the plug from the power source and/or the battery pack from the power tool before making any adjustments, changing accessories, or storing power tools.** Such preventive safety measures reduce the risk of starting the power tool accidentally.
- d) **Store idle power tools out of the reach of children and do not allow persons unfamiliar with the power tool or these instructions to operate the power tool.** Power tools are dangerous in the hands of untrained users.
- e) **Maintain power tools. Check for misalignment or binding of moving parts, breakage of parts and any other condition that may affect the power tool's operation. If damaged, have the power tool repaired before use.** Many accidents are caused by poorly maintained power tools.
- f) **Keep cutting tools sharp and clean.** Properly maintained cutting tools with sharp cutting edges are less likely to bind and are easier to control.
- g) **Use the power tool, accessories and tool bits, etc. in accordance with these instructions, taking into account the working conditions and the work to be performed.** Use of the power tool for operations different from those intended could result in a hazardous situation.

5) BATTERY TOOL USE AND CARE

- a) **Recharge only with the charger specified by the manufacturer.** A charger that is suitable for one type of battery

pack may create a risk of fire when used with another battery pack.

- b) **Use power tools only with specifically designated battery packs.** Use of any other battery packs may create a risk of injury and fire.
- c) **When battery pack is not in use, keep it away from other metal objects, like paper clips, coins, keys, nails, screws, or other small metal objects, that can make a connection from one terminal to another.** Shorting the battery terminals together may cause burns or a fire.
- d) **Under abusive conditions, liquid may be ejected from the battery; avoid contact. If contact accidentally occurs, flush with water. If liquid contacts eyes, additionally seek medical help.** Liquid ejected from the battery may cause irritation or burns.

6) SERVICE

- a) **Have your power tool serviced by a qualified repair person using only identical replacement parts.** This will ensure that the safety of the power tool is maintained.

Additional Safety Rules for Grease Guns

- **Parts of the tool or the hose assembly can break or rupture due to high pressure. Risk of serious injury may occur.** Before using, always inspect the tool and hose assembly for damage or wear. Never use if any part of the tool is damaged or worn.
- **Use only DEWALT-approved flexible hoses.** Hold the hose only by the flexible hose safety spring guard to avoid personal serious injury.
- **If the hose kinks or is damaged, a rupture may occur which could cause serious injury.** Replace the hose at the first sign of wear, kink or damage.

- **Only use the grease recommended in this manual.** Refer to the Technical Information chart under **Using the Grease Gun.**
- **To reduce the risk of serious personal injury, do not use the grease gun around or on moving parts, mechanisms or running equipment.**
- **Air vents often cover moving parts and should be avoided.** Loose clothes, jewelry or long hair can be caught in moving parts.

⚠ WARNING: Risk of injection or severe injury. Rupture of components can inject grease into skin or eyes, causing serious injury or infection. Do not treat as a simple cut. Seek immediate medical attention.

⚠ WARNING: Output can be at high pressure. Do not direct discharge at yourself or others.

⚠ WARNING: The grease gun may generate high pressure—up to 9,000 psi (620 bar). Always wear gloves during operation. Keep hands clear of the exposed rubber portion of the hose.

⚠ WARNING: Risk of fire. Grease may be flammable. Do not expose to fire or high temperatures. Read and follow all warnings and instructions from the lubricant manufacturer.

⚠ WARNING: ALWAYS use safety glasses. Everyday eyeglasses are NOT safety glasses. Also use face or dust mask if cutting operation is dusty. ALWAYS WEAR CERTIFIED SAFETY EQUIPMENT:

- ANSI Z87.1 eye protection (CAN/CSA Z94.3),
- ANSI S12.6 (S3.19) hearing protection,
- NIOSH/OSHA/MSHA respiratory protection.

⚠ WARNING: Some dust created by power sanding, sawing, grinding, drilling, and other construction activities contains chemicals known to the State of California to cause cancer, birth defects or other reproductive harm. Some examples of these chemicals are:

- lead from lead-based paints,

- crystalline silica from bricks and cement and other masonry products, and
- arsenic and chromium from chemically-treated lumber.

Your risk from these exposures varies, depending on how often you do this type of work. To reduce your exposure to these chemicals: work in a well ventilated area, and work with approved safety equipment, such as those dust masks that are specially designed to filter out microscopic particles.

- **Avoid prolonged contact with dust from power sanding, sawing, grinding, drilling, and other construction activities. Wear protective clothing and wash exposed areas with soap and water.** Allowing dust to get into your mouth, eyes, or lay on the skin may promote absorption of harmful chemicals.

⚠ WARNING: Use of this tool can generate and/or disperse dust, which may cause serious and permanent respiratory or other injury. Always use NIOSH/OSHA approved respiratory protection appropriate for the dust exposure. Direct particles away from face and body.

⚠ WARNING: Always wear proper personal hearing protection that conforms to ANSI S12.6 (S3.19) during use. Under some conditions and duration of use, noise from this product may contribute to hearing loss.

⚠ CAUTION: When not in use, place tool on its side on a stable surface where it will not cause a tripping or falling hazard. Some tools with large battery packs will stand upright on the battery pack but may be easily knocked over.

- The label on your tool may include the following symbols. The symbols and their definitions are as follows:

V..... volts	A..... amperes
Hz..... hertz	W..... watts
min..... minutes	~ or AC..... alternating current
=== or DC... direct current	

Ⓜ.....	Class I Construction (grounded)	⚡ or AC/DC... alternating or direct current
Ⓛ.....	Class II Construction (double insulated)	n _o no load speed
.../min	per minute	n..... rated speed
BPM.....	beats per minute	Ⓧ..... earthing terminal
IPM.....	impacts per minute	⚠..... safety alert symbol
RPM.....	revolutions per minute	psi..... pounds per square inch
sfpm.....	surface feet per minute	
SPM.....	strokes per minute	

Important Safety Instructions for All Battery Packs

When ordering replacement battery packs, be sure to include catalog number and voltage. Consult the chart at the end of this manual for compatibility of chargers and battery packs.

The battery pack is not fully charged out of the carton. Before using the battery pack and charger, read the safety instructions below. Then follow charging procedures outlined.

READ ALL INSTRUCTIONS

- **Do not charge or use battery in explosive atmospheres, such as in the presence of flammable liquids, gases or dust.** Inserting or removing the battery from the charger may ignite the dust or fumes.
- **NEVER force battery pack into charger. DO NOT modify battery pack in any way to fit into a non-compatible charger**

as battery pack may rupture causing serious personal injury.

Consult the chart at the end of this manual for compatibility of batteries and chargers.

- Charge the battery packs only in DeWALT chargers.
- **DO NOT** splash or immerse in water or other liquids.
- **Do not store or use the tool and battery pack in locations where the temperature may reach or exceed 105 °F (40 °C) (such as outside sheds or metal buildings in summer).**

⚠ DANGER: Electrocutation hazard. Never attempt to open the battery pack for any reason. If battery pack case is cracked or damaged, do not insert into charger. Do not crush, drop or damage battery pack. Do not use a battery pack or charger that has received a sharp blow, been dropped, run over or damaged in any way (i.e., pierced with a nail, hit with a hammer, stepped on). Electric shock or electrocution may result. Damaged battery packs should be returned to service center for recycling.

NOTE: Battery storage and carrying caps are provided for use whenever the battery is out of the tool or charger. Remove cap before placing battery in charger or tool.



⚠ WARNING: Fire hazard. Do not store or carry battery so that metal objects can contact exposed battery terminals. For example, do not place battery in aprons, pockets, tool boxes, product kit boxes, drawers, etc., with loose nails, screws, keys, etc. without battery cap. **Transporting batteries can possibly cause fires if the battery terminals inadvertently come in contact with conductive materials such as keys, coins, hand tools and the like.** The U.S. Department of Transportation Hazardous Material Regulations (HMR) actually prohibit transporting batteries in commerce or on airplanes (i.e., packed in suitcases and carry-on luggage) UNLESS they are properly protected from short circuits. So when transporting individual batteries, make sure that the

battery terminals are protected and well insulated from materials that could contact them and cause a short circuit.

SPECIFIC SAFETY INSTRUCTIONS FOR NICKEL CADMIUM (NiCd) OR NICKEL METAL HYDRIDE (NiMH)

- **Do not incinerate the battery pack even if it is severely damaged or is completely worn out.** The battery pack can explode in a fire.
- **A small leakage of liquid from the battery pack cells may occur under extreme usage or temperature conditions.** This does not indicate a failure.

However, if the outer seal is broken:

- a. and the battery liquid gets on your skin, immediately wash with soap and water for several minutes.
- b. and the battery liquid gets into your eyes, flush them with clean water for a minimum of 10 minutes and seek immediate medical attention. **(Medical note:** The liquid is 25–35% solution of potassium hydroxide.)

SPECIFIC SAFETY INSTRUCTIONS FOR LITHIUM ION (Li-Ion)

- **Do not incinerate the battery pack even if it is severely damaged or is completely worn out.** The battery pack can explode in a fire. Toxic fumes and materials are created when lithium ion battery packs are burned.
- **If battery contents come into contact with the skin, immediately wash area with mild soap and water.** If battery liquid gets into the eye, rinse water over the open eye for 15 minutes or until irritation ceases. If medical attention is needed, the battery electrolyte is composed of a mixture of liquid organic carbonates and lithium salts.
- **Contents of opened battery cells may cause respiratory irritation.** Provide fresh air. If symptoms persist, seek medical attention.

⚠ WARNING: Burn hazard. Battery liquid may be flammable if exposed to spark or flame.

The RBRC™ Seal

The RBRC™ (Rechargeable Battery Recycling Corporation) Seal on the nickel cadmium, nickel metal hydride or lithium ion batteries (or battery packs) indicate that the costs to recycle these batteries (or battery packs) at the end of their useful life have already been paid by DEWALT. In some areas, it is illegal to place spent nickel cadmium, nickel metal hydride or lithium ion batteries in the trash or municipal solid waste stream and the RBRC program provides an environmentally conscious alternative.

RBRC™ in cooperation with DEWALT and other battery users, has established programs in the United States and Canada to facilitate the collection of spent nickel cadmium, nickel metal hydride or lithium ion batteries. Help protect our environment and conserve natural resources by returning the spent nickel cadmium, nickel metal hydride or lithium ion batteries to an authorized DEWALT service center or to your local retailer for recycling. You may also contact your local recycling center for information on where to drop off the spent battery. RBRC™ is a registered trademark of the Rechargeable Battery Recycling Corporation.



Important Safety Instructions for All Battery Chargers

SAVE THESE INSTRUCTIONS: This manual contains important safety and operating instructions for battery chargers.

- Before using charger, read all instructions and cautionary markings on charger, battery pack, and product using battery pack.

⚠ DANGER: Electrocutation hazard. 120 volts are present at charging terminals. Do not probe with conductive objects. Electric shock or electrocution may result.

⚠ WARNING: Shock hazard. Do not allow any liquid to get inside charger. Electric shock may result.

⚠ CAUTION: Burn hazard. To reduce the risk of injury, charge only DEWALT rechargeable batteries. Other types of batteries may burst causing personal injury and damage.

NOTICE: Under certain conditions, with the charger plugged in to the power supply, the exposed charging contacts inside the charger can be shorted by foreign material. Foreign materials of a conductive nature such as, but not limited to, grinding dust, metal chips, steel wool, aluminum foil, or any buildup of metallic particles should be kept away from charger cavities. Always unplug the charger from the power supply when there is no battery pack in the cavity. Unplug charger before attempting to clean.

- **DO NOT attempt to charge the battery pack with any chargers other than the ones in this manual.** The charger and battery pack are specifically designed to work together.
- **These chargers are not intended for any uses other than charging DEWALT rechargeable batteries.** Any other uses may result in risk of fire, electric shock or electrocution.
- **Do not expose charger to rain or snow.**
- **Pull by plug rather than cord when disconnecting charger.** This will reduce risk of damage to electric plug and cord.
- **Make sure that cord is located so that it will not be stepped on, tripped over, or otherwise subjected to damage or stress.**
- **Do not use an extension cord unless it is absolutely necessary.** Use of improper extension cord could result in risk of fire, electric shock, or electrocution.

- **When operating a power tool outdoors, use an extension cord suitable for outdoor use.** Use of a cord suitable for outdoor use reduces the risk of electric shock.
- **An extension cord must have adequate wire size (AWG or American Wire Gauge) for safety.** The smaller the gauge number of the wire, the greater the capacity of the cable, that is 16 gauge has more capacity than 18 gauge. An undersized cord will cause a drop in line voltage resulting in loss of power and overheating. When using more than one extension to make up the total length, be sure each individual extension contains at least the minimum wire size. The following table shows the correct size to use depending on cord length and nameplate ampere rating. If in doubt, use the next heavier gauge. The smaller the gauge number, the heavier the cord.

Minimum Gauge for Cord Sets						
Ampere Rating		Volts	Total Length of Cord in Feet (meters)			
		120 V	25 (7.6)	50 (15.2)	100 (30.5)	150 (45.7)
		240 V	50 (15.2)	100 (30.5)	200 (61.0)	300 (91.4)
More Than	Not More Than	AWG				
0	6		18	16	16	14
6	10		18	16	14	12
10	12		16	16	14	12
12	16		14	12	Not Recommended	

- **Do not place any object on top of charger or place the charger on a soft surface that might block the ventilation slots and result in excessive internal heat.** Place the charger

in a position away from any heat source. The charger is ventilated through slots in the top and the bottom of the housing.

- **Do not operate charger with damaged cord or plug.**
- **Do not operate charger if it has received a sharp blow, been dropped, or otherwise damaged in any way.** Take it to an authorized service center.
- **Do not disassemble charger; take it to an authorized service center when service or repair is required.** Incorrect reassembly may result in a risk of electric shock, electrocution or fire.
- **Disconnect the charger from the outlet before attempting any cleaning. This will reduce the risk of electric shock.** Removing the battery pack will not reduce this risk.
- **NEVER attempt to connect two chargers together.**
- **The charger is designed to operate on standard 120 volt household electrical power. Do not attempt to use it on any other voltage.** This does not apply to the vehicular charger.

Using Automatic Tune-Up™ Mode

The automatic Tune-Up™ Mode equalizes or balances the individual cells in the battery pack allowing it to function at peak capacity. Battery packs should be tuned up weekly or after 10 charge/discharge cycles or whenever the pack no longer delivers the same amount of work. To use the automatic Tune-Up™, place the battery pack in the charger and leave it for at least 8 hours. The charger will cycle through the following modes.

1. The red light will blink continuously indicating that the 1-hour charge cycle has started.
2. When the 1-hour charge cycle is complete, the light will stay on continuously and will no longer blink. This indicates that the pack is fully charged and can be used at this time.
3. If the pack is left in the charger after the initial 1-hour charge, the charger will begin the Automatic Tune-Up™ mode. This mode

operation, **flashing the red light with two fast blinks followed by a pause.** This indicates the power source is out of limits.

LEAVING THE BATTERY PACK IN THE CHARGER

The charger and battery pack can be left connected with the red light glowing indefinitely. The charger will keep the battery pack fresh and fully charged.

NOTE: A battery pack will slowly lose its charge when kept out of the charger. If the battery pack has not been kept on maintenance charge, it may need to be recharged before use. A battery pack may also slowly lose its charge if left in a charger that is not plugged into an appropriate AC source.

WEAK BATTERY PACKS: Chargers can also detect a weak battery pack. Such batteries are still usable but should not be expected to perform as much work. The charger will indicate to replace battery pack.

Important Charging Notes

1. Longest life and best performance can be obtained if the battery pack is charged when the air temperature is between 65 °F and 75 °F (18 °–24 °C). DO NOT charge the battery pack in an air temperature below +40 °F (+4.5 °C), or above +105 °F (+40.5 °C). This is important and will prevent serious damage to the battery pack.
2. The charger and battery pack may become warm to touch while charging. This is a normal condition, and does not indicate a problem. To facilitate the cooling of the battery pack after use, avoid placing the charger or battery pack in a warm environment such as in a metal shed, or an uninsulated trailer.
3. If the battery pack does not charge properly:
 - a. Check operation of receptacle by plugging in a lamp or other appliance;

- b. Check to see if receptacle is connected to a light switch which turns power off when you turn out the lights;
 - c. Move charger and battery pack to a location where the surrounding air temperature is approximately 65 °F–75 °F (18 °–24 °C);
 - d. If charging problems persist, take the tool, battery pack and charger to your local service center.
4. The battery pack should be recharged when it fails to produce sufficient power on jobs which were easily done previously. DO NOT CONTINUE to use under these conditions. Follow the charging procedure. You may also charge a partially used pack whenever you desire with no adverse affect on the battery pack.
 5. Under certain conditions, with the charger plugged into the power supply, the exposed charging contacts inside the charger can be shorted by foreign material. Foreign materials of a conductive nature such as, but not limited to, grinding dust, metal chips, steel wool, aluminum foil, or any buildup of metallic particles should be kept away from charger cavities. Always unplug the charger from the power supply when there is no battery pack in the cavity. Unplug charger before attempting to clean.
 6. Do not freeze or immerse charger in water or any other liquid.

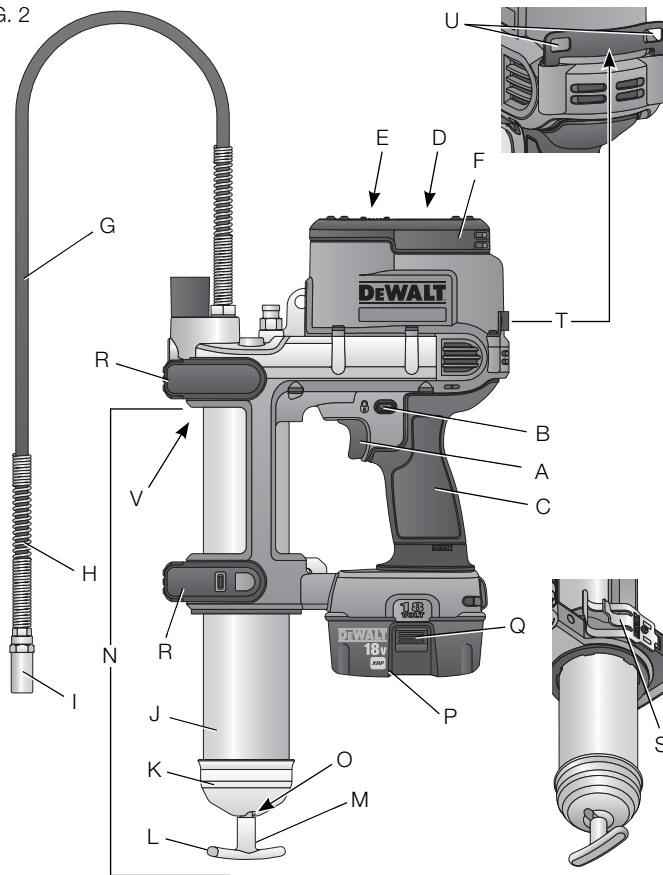
▲WARNING: Shock hazard. Don't allow any liquid to get inside charger. Electric shock may result.

▲WARNING: Burn hazard. Never attempt to open the battery pack for any reason. If the plastic housing of the battery pack breaks or cracks, return to a service center for recycling.

Storage Recommendations

1. The best storage place is one that is cool and dry away from direct sunlight and excess heat or cold.
2. For long storage, it is recommended to store a fully charged battery pack in a cool dry place out of the charger for optimal results.

FIG. 2



NOTE: Battery packs should not be stored completely depleted of charge. The battery pack will need to be recharged before use.

SAVE THESE INSTRUCTIONS FOR FUTURE USE

COMPONENTS (Fig. 2, 5)

⚠ WARNING: Never modify the power tool or any part of it. Damage or personal injury could result.

FIGURE 2

- | | |
|--------------------------------------|------------------------------|
| A. Variable speed trigger switch | O. Retaining slot |
| B. Lock-off button | P. Battery |
| C. Handle | Q. Battery release button |
| D. LED worklight | R. Rubber feet |
| E. LED worklight button | S. Hose clip |
| F. Top cap | T. Shoulder strap mount |
| G. Flexible hose | U. Shoulder strap clip holes |
| H. Flexible hose safety spring guard | V. Filter |
| I. Flexible hose coupler | |

FIGURE 5

- | |
|-----------------------------|
| W. Pressure relief valve |
| X. Purge valve |
| Y. Check valve |
| Z. 1/8" NPT fill port |
| AA. 1/8" NPT fill port plug |

INTENDED USE

This grease gun is designed for professionally dispensing lubricant.

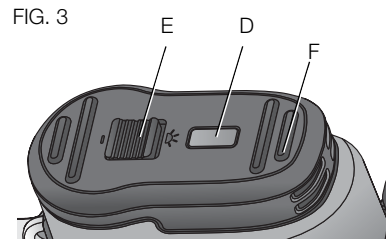
DO NOT use under wet conditions or in presence of volatile flammable liquids or gases.

This grease gun is a professional power tool. **DO NOT** let children come into contact with the tool. Supervision is required when inexperienced operators use this tool.

LED Worklight (Fig. 2, 3)

There is an LED worklight (D) located on the top cap (F). The worklight is activated when the trigger switch is depressed and when the LED worklight button (E) is in the ON position. When the LED worklight button is in the OFF position, the LED worklight will not turn on when the trigger is depressed. If the trigger switch remains depressed, the worklight will remain on.

NOTE: The worklight is for lighting the immediate work surface and is not intended to be used as a flashlight.



Variable Speed Trigger Switch (Fig. 2, 4)

LOCK-OFF BUTTON AND TRIGGER SWITCH

Your grease gun is equipped with a lock-off button (B).

To lock the trigger switch, press the lock-off button as shown in Figure 4. Always lock the trigger switch (A) when carrying or storing the tool to eliminate unintentional starting. The lock-off button is colored red to indicate when the switch is in its unlocked position.

To unlock the trigger switch, press the lock-off button as shown in Figure 4. Squeeze the trigger switch to turn the motor ON. Releasing the trigger switch turns the motor OFF.

NOTE: The variable speed trigger switch will give you added versatility. The further the trigger is depressed the higher the output of grease.

⚠ WARNING: This tool has no provision to lock the switch in the ON position, and should never be locked ON by any other means.

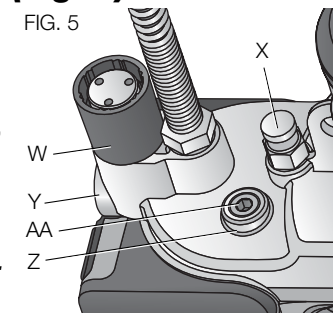
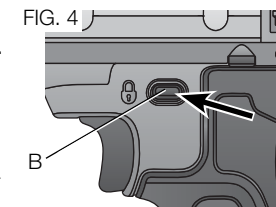
Pressure Relief Valve (Fig. 5)

The pressure relief valve (W) is set at the factory to relieve pressure above 9,000 psi (620 bar). Grease coming out of the pressure relief valve indicates a clog in the fitting, line or bearing. Any of these conditions must be corrected before proceeding.

⚠ WARNING: The grease gun may generate high pressure. Do not remove or tamper with the pressure relief valve. Serious injury may occur.

Shoulder Strap (Fig. 2)

Your grease gun comes with a shoulder strap. Hook the shoulder strap clips into the shoulder strap clip holes (U) found on the shoulder strap mount (T).



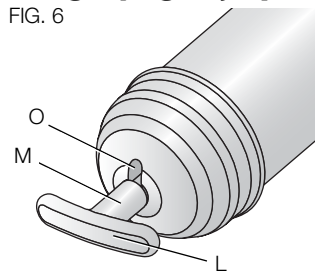
ASSEMBLY AND ADJUSTMENTS

⚠ WARNING: To reduce the risk of serious personal injury, turn tool off, push the lock-off button to the OFF position, and remove the battery pack before making any adjustments or removing/installing attachments or accessories. An accidental start-up can cause injury.

Installing a Grease Cartridge (Fig. 2, 6)

1. Pull the grease tube handle (L) out as far as it will go, then secure the grease tube rod (M) into the retaining slot (O) by moving the rod to the side. Ensure the rod is placed securely in the slot to prevent it from disengaging.
2. Unscrew the grease tube assembly (N) from the grease gun.
3. Remove the plastic cap from the grease cartridge, then insert the cartridge, open end first, into the grease tube (J).
4. Remove the seal from the other end of the grease cartridge.
5. Thread the grease tube assembly (N) back into the grease gun and screw it in securely.
6. Release the grease tube rod (M) from the retaining slot (O) and slowly press it back into the tube.
7. Use the purge valve (X, Fig. 5) to bleed off any air that may be trapped in the cartridge. Refer to **Purging Air Pockets**.

IMPORTANT: The grease gun will lose its prime if there are air pockets in the lubricant.



Removing Empty Grease Cartridge (Fig. 2)

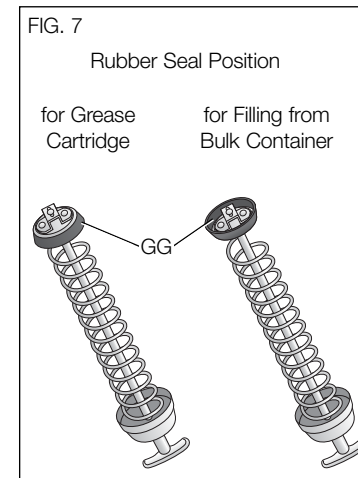
1. Pull the grease tube handle (L) out as far as it will go, then secure the grease tube rod (M) into the retaining slot (O) by moving the rod to the side. Ensure the rod is placed securely in the slot to prevent it from disengaging.
2. Unscrew the grease tube assembly (N) from the grease gun and remove.
3. Gently release the grease tube handle (L) to expel the empty cartridge from the grease tube.

Filling the Grease Gun from a Bulk Container (Fig. 2, 5-9)

PREPARING THE GREASE GUN FOR SUCTION AND FILLER PUMP FILLING (FIG. 1, 7)

NOTE: Be sure the grease gun is empty of grease before beginning this process.

1. Unscrew the grease tube (J) from the grease gun assembly (N).
2. Unscrew the grease tube cap (K) from the grease tube (J) and pull out the grease rod (M).
3. Using your thumb and forefinger, flip the rubber seal (GG) from the rear to the front. Refer to Figure 7.



NOTE: The seal resembles a cup, which should open toward the top cap (F, Fig. 2) when prepared for suction and filler pump filling.

4. Reinsert the grease tube rod (M) back into the grease tube (J).

SUCTION FILLING FROM A BULK CONTAINER (FIG. 2, 5, 6, 8)

1. Put the open end of the grease tube assembly into the bulk lubricant.
2. Slowly pull back the grease tube handle (L) to suction the lubricant into the grease gun.

NOTE: Be sure to keep the open end of the grease tube assembly far enough into the lubricant to prevent air pockets in the grease tube.

3. When the grease tube rod (M) is fully extended, secure it into the retaining slot (O)
4. Remove the grease gun tube assembly from the bulk lubricant and wipe off excess grease.
5. Screw the grease gun tube assembly (N) back into the grease gun.
6. Release the grease tube rod (M) from the retaining slot (O) and slowly press it back into the tube.

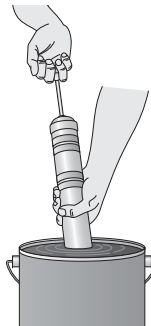
7. Use the purge valve (X, Fig. 5) to bleed off any air that may be trapped in the cartridge. Refer to **Purging Air Pockets**.

FILLER PUMP FILLING FROM A BULK CONTAINER (FIG. 5, 6, 9)

This tool comes with a 1/8" NPT fill port (Z, Fig. 5) for attaching a low pressure fill coupler onto the unit.

⚠ WARNING: *Never thread a high-pressure coupler onto the grease gun's 1/8" NPT fill port. Serious injury may occur due to excessive pressure. Use low-pressure couplers only.*

FIG. 8



⚠ CAUTION: *The fill pump loader must connect correctly with the grease gun's 1/8" NPT port. The filler pump may not operate if the components are not compatible.*

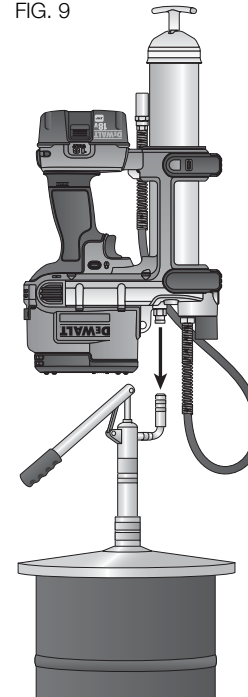
Installing the low pressure coupler (not supplied with the tool)

1. Thread the grease tube assembly (N) back into the grease gun and screw it in securely.
2. Pull the grease tube handle (L) out as far as it will go, then secure the grease tube rod (M) into the retaining slot (O) by moving the rod to the side. Ensure the rod is placed securely in the slot to prevent it from disengaging.
3. Remove the 1/8" NPT fill port plug (AA) from the fill port.
4. Thread the appropriate low pressure coupler onto the 1/8" NPT fill port (Z).
5. Release the grease tube rod (M) from the retaining slot (O) and slowly press it back into the tube.
6. Use the purge valve (X) to bleed off any air that may be trapped in the cartridge. Refer to **Purging Air Pockets**.

FILLING THE TOOL FROM THE LOW PRESSURE FILLER PUMP (FIG. 2, 9)

1. Pull back on the grease tube handle slowly and rotate the rod until it is secure in place.

FIG. 9



English

NOTE: Do not lock the rod into the retaining slot (O).

2. Connect the low pressure fitting on the grease gun to the appropriate low pressure fitting on the filler pump. These fittings **DO NOT** lock together. This prevents the grease gun cartridge from being over filled.
3. Fill until the rod is pushed out of the grease tube approximately 8" (20 cm). Do not overfill. If the rod fails to move during the filling process, stop. This indicates that the rod is not connected to the plunger and step one must be repeated before proceeding.
4. Rotate rod to release and carefully push rod back into the grease tube.
5. Use the purge valve (X) to bleed off any air that may be trapped in the cartridge. Refer to **Purging Air Pockets**.

Purging Air Pockets (Fig. 2, 5)

IMPORTANT: Air pockets in the grease can cause the grease gun to lose prime. Eliminate air pockets after each refill or if the grease gun fails to pump grease:

1. Unscrew the purge valve (X) without removing it, until all air has escaped.
2. Tighten the purge valve (X).
3. Uncap the flexible hose (G) then depress the variable speed trigger switch (A) for 10–20 seconds.
4. If grease fails to flow through the hose, repeat from step 1.

NOTE: This tool has been tested at the factory, which may result in a small amount of grease left in the grease tube and hose assembly. It is recommended to purge the tool with the brand of grease to be used before first use.

OPERATION

⚠WARNING: To reduce the risk of serious personal injury, **turn tool off and remove the battery pack before making any adjustments or removing/installing attachments or accessories.** An accidental start-up can cause injury.

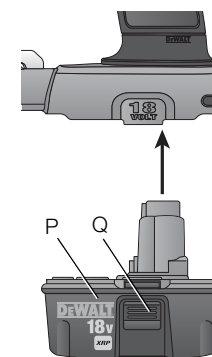
Installing and Removing the Battery Pack (Fig. 10)

NOTE: For best results, make sure your battery pack is fully charged.

To install the battery pack (P) into the tool handle, align the notch inside the tool's handle with the battery pack and slide the battery pack firmly into the handle until the battery pack is firmly seated in the tool and ensure that it does not disengage.

To remove the battery pack from the tool, press the release buttons (Q) and firmly pull the battery pack out of the tool handle. Insert it into the charger as described in the charger section of this manual.

FIG. 10



Using the Grease Gun (Fig. 2)

⚠WARNING: To reduce the risk of serious personal injury, **always maintain a grip on the handle (C) when operating the grease gun or positioning the hose onto fittings.**

To operate the grease gun, hold the grease gun by the handle (C), or place it on a stable surface upright on its rubber feet (R) maintaining a grip on the handle. Holding the hose by the flexible hose safety spring guard (H), connect the flexible hose grease coupler (I) or other appropriate grease coupler, onto the grease fitting to be filled. Carefully depress the variable speed trigger switch to begin the filling process.

Once the correct amount of grease has been dispensed, release the trigger and remove the coupler from the grease fitting. If the coupler does not release, there may still be residual pressure in the line. Moving the coupler from side to side can relieve the residual pressure so it can be removed from the coupling. If the coupler leaks excessively or does not hold on to the grease fitting, it should be replaced.

TECHNICAL INFORMATION

Grease type	Up to NLGI #2
Voltage	18 V
Pressure	9,000 psi (620 bar)
Volume/Flow rate	5 fl. oz./min (147.87 ml/min)
Grease capacity	16 oz Bulk (453 g) 14.5 oz Cartridge (411 g)
Tool weight without battery	8 lbs (3.63 kg)
Hose length	42" (107 cm)

MAINTENANCE

⚠ WARNING: To reduce the risk of serious personal injury, turn tool off and remove the battery pack before making any adjustments or removing/installing attachments or accessories. An accidental start-up can cause injury.

Cleaning

⚠ WARNING: Blow dirt and dust out of all air vents with clean, dry air at least once a week. To minimize the risk of eye injury, always wear ANSI Z87.1 approved eye protection when performing this.

⚠ WARNING: Never use solvents or other harsh chemicals for cleaning the non-metallic parts of the tool. These chemicals may weaken the plastic materials used in these parts. Use a cloth dampened only with water and mild soap. Never let any liquid get inside the tool; never immerse any part of the tool into a liquid.

BATTERY CLEANING INSTRUCTIONS

Dirt and grease may be removed from the exterior of the battery using a cloth or soft non-metallic brush. Do not use water or any cleaning solutions.

⚠ WARNING: Never use solvents or other harsh chemicals for cleaning the battery. These chemicals may weaken the plastic parts.

CHARGER CLEANING INSTRUCTIONS

⚠ WARNING: Shock hazard. Disconnect the charger from the AC outlet before cleaning. Dirt and grease may be removed from the exterior of the charger using a cloth or soft non-metallic brush. Do not use water or any cleaning solutions.

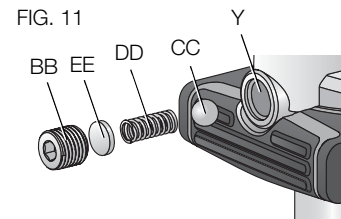
⚠ WARNING: Never use solvents or other harsh chemicals for cleaning the charger. These chemicals may weaken the plastic parts.

CLEANING CONTAMINANTS FROM THE GREASE GUN

Cleaning Contamination from the Check Valve (Fig. 11)

Should the grease gun fail to dispense grease, the check valve (Y) should be cleaned.

1. Remove the check valve plug (BB), then the disc (EE), spring (DD) and check valve ball (CC).
2. Clean the ball (CC) and the check valve area in the main casting.



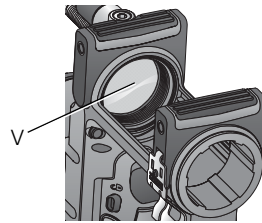
3. Reinstall the ball (CC), the spring (DD), and then the disc (EE).
4. After all grease is cleaned from the area, reinstall the check valve plug (BB).

Cleaning Contamination from the Filter (Fig. 2, 12)

Should the grease gun fail to dispense grease, clean the filter (V).

NOTE: If there is still grease in the tube, open the purge valve prior to pulling the tube handle.

1. Pull the grease tube handle (L) out as far as it will go, then secure the grease tube rod (M) into the retaining slot (O) by moving the rod to the side. Ensure the rod is placed securely in the slot to prevent it from disengaging.
2. Unscrew the grease tube assembly (N) from the grease gun and remove.
3. Using a small flat-blade screwdriver or pick, carefully pop out the filter.
4. Wipe off the filter using a soft cloth. If the filter still has debris in it after wiping, a soft brush or swab may be used.
5. Once clean, reinsert the filter into the round groove, ensuring it is fully seated, and reattach the grease tube assembly to the grease gun.



Accessories

⚠ WARNING: Since accessories, other than those offered by DEWALT, have not been tested with this product, use of such accessories with this tool could be hazardous. To reduce the risk of injury, only DEWALT recommended accessories should be used with this product.

⚠ WARNING: Extreme pressure may cause nozzle extension or flexible hose to burst. Use only DEWALT approved hoses and follow flexible hose instructions and warnings.

Recommended accessories for use with your tool are available at extra cost from your local dealer or authorized service center. If you need assistance in locating any accessory, please contact DEWALT Industrial Tool Co., 701 East Joppa Road, Baltimore, MD 21286, call 1-800-4-DEWALT (1-800-433-9258) or visit our website: www.dewalt.com.

ACCESSORIES

DCGG5701	1/8" NPT Grease Gun Coupler
DCGG5701-3	1/8" NPT Grease Gun Coupler 3-pak
DCGG5702	Right Angle Grease Gun Coupler
DCGG5703-42	1/8" NPT Grease Gun Hose Assembly (42") (107 mm)
DCGG5703-24	1/8" NPT Grease Gun Hose Assembly (24") (61 mm)
DCGG5704	Clear Grease Gun Cartridge Tube

Repairs

The charger and battery pack are not serviceable.

To assure product SAFETY and RELIABILITY, repairs, maintenance and adjustment (including brush inspection and replacement) should be performed by a DEWALT factory service center, a DEWALT authorized service center or other qualified service personnel. Always use identical replacement parts.

Register Online

Thank you for your purchase. Register your product now for:

- **WARRANTY SERVICE:** Registering your product will help you obtain more efficient warranty service in case there is a problem with your product.

- **CONFIRMATION OF OWNERSHIP:** In case of an insurance loss, such as fire, flood or theft, your registration of ownership will serve as your proof of purchase.
- **FOR YOUR SAFETY:** Registering your product will allow us to contact you in the unlikely event a safety notification is required under the Federal Consumer Safety Act.

Register online at www.dewalt.com/register.

Three Year Limited Warranty

DEWALT will repair, without charge, any defects due to faulty materials or workmanship for three years from the date of purchase. This warranty does not cover part failure due to normal wear or tool abuse. For further detail of warranty coverage and warranty repair information, visit www.dewalt.com or call 1-800-4-DEWALT (1-800-433-9258). This warranty does not apply to accessories or damage caused where repairs have been made or attempted by others. This warranty gives you specific legal rights and you may have other rights which vary in certain states or provinces.

In addition to the warranty, DEWALT tools are covered by our:

1 YEAR FREE SERVICE

DEWALT will maintain the tool and replace worn parts caused by normal use, for free, any time during the first year after purchase.

2 YEARS FREE SERVICE ON DEWALT BATTERY PACKS

DC9071, DC9091, DC9096, DC9280, DC9360, DC9180, DCB120, DCB201 and DCB203

3 YEARS FREE SERVICE ON DEWALT BATTERY PACKS

DCB200, DCB204

DEWALT BATTERY PACKS

Product warranty voided if the battery pack is tampered with in any way. DEWALT is not responsible for any injury caused by tampering and may prosecute warranty fraud to the fullest extent permitted by law.

90 DAY MONEY BACK GUARANTEE

If you are not completely satisfied with the performance of your DEWALT Power Tool, Laser, or Nailer for any reason, you can return it within 90 days from the date of purchase with a receipt for a full refund – no questions asked.

LATIN AMERICA: This warranty does not apply to products sold in Latin America. For products sold in Latin America, see country specific warranty information contained in the packaging, call the local company or see website for warranty information.

FREE WARNING LABEL REPLACEMENT: If your warning labels become illegible or are missing, call 1-800-4-DEWALT (1-800-433-9258) for a free replacement.

DCGG570 CORDLESS GREASE GUN

WARNING TO REDUCE THE RISK OF INJURY, USER MUST READ INSTRUCTION MANUAL. ALWAYS USE PROPER EYE AND RESPIRATORY PROTECTION. USE DEWALT BATTERIES.

ADVERTENCIA: PARA EL MANEJO SEGURO LEA EL MANUAL DE INSTRUCCIONES. SIEMPRE SE DEBERÁ LEVAR LA PROTECCIÓN APROPIADA PARA LA VISTA Y PARA LAS VÍAS RESPIRATORIAS. UTILICE LAS BATERÍAS DEWALT. **AVERTISSEMENT:** À TITRE PRÉVENTIF, LIRE LE GUIDE. IL FAUT TOUJOURS PORTER DE L'ÉQUIPEMENT DE PROTECTION OCULAIRE ET RESPIRATOIRE APPROPRIÉ. UTILISER SEULEMENT AVEC DES PILES DEWALT.

DEWALT INDUSTRIAL TOOL CO., BALTIMORE, MD 21286 USA
FOR SERVICE INFORMATION, CALL 1-800-4-DEWALT www.DEWALT.com

WARNING HIGH PRESSURE – UP TO 9,000 PSI (620 BAR) AT THE HOSE AND PUMP HOUSING. RISK OF INJECTION, CAUSING SERIOUS INJURY OR INFECTION. ALWAYS WEAR GLOVES DURING OPERATIONAL. DO NOT TREAT AS A SIMPLE CUT, SEEK IMMEDIATE MEDICAL ATTENTION. READ INSTRUCTION MANUAL FOR ADDITIONAL SAFETY INFORMATION.

ADVERTENCIA ALTA PRESIÓN – HASTA 9,000 PSI (620 BARES) EN LA MANGUERA Y LA CARCASA DE LA BOMBA. RIESGO DE INYECCIÓN, QUE PUEDE CAUSAR LESIÓN GRAVE O INFECCIÓN. PONGÁSE SIEMPRE GUANTES DURANTE LA OPERACIÓN. NO LO TRATE COMO UN SIMPLE CORTE. BUSQUE ATENCIÓN MÉDICA INMEDIATA. LEA EL MANUAL DE INSTRUCCIONES PARA OBTENER INFORMACIÓN ADICIONAL SOBRE SEGURIDAD.

AVERTISSEMENT HAUTE PRESION – JUSQU'À 9 000 BARS (620 PSI) AU NIVEAU DU TUYAU ET BOÎTER DE POMPE. RISQUES D'INJECTIONS CUTANÉES POUVANT CAUSER DES DOMMAGES CORPORELS GRAVES OU DES INFECTIONS. PORTER SYSTEMATIQUÉMENT DES GANTS PENDANT L'UTILISATION, NE PAS TRAITER CETTE ÉVENTUALITÉ COMME UNE SIMPLE COUPURE. CONSULTER IMMÉDIATEMENT UN MÉDECIN, LIRE LE MANUEL DE L'UTILISATEUR POUR PLUS D'INFORMATION SUR LES MESURES DE SÉCURITÉ.

TROUBLESHOOTING

Problem	Possible Cause	Possible Solution
Unable to pull back rod	Vacuum build up	Unscrew the purge valve to release vacuum.
Unable to push rod forward	Pressure build up	Unscrew the purge valve to release pressure.
	Rod is still connected to plunger	Rotate grease tube handle 90 degrees to disengage it.
No grease when trigger is pulled	Grease tube is empty	Add grease.
	Air pockets in the grease tube	Refer to <i>Purging Air Pockets.</i>
	Check valve is clogged	Refer to <i>Cleaning Contamination from the Check Valve.</i>
	Filter is clogged	Refer to <i>Cleaning Contamination from the Filter.</i>
Grease appears in relief valve	Zerk fitting is blocked	Disconnect coupler from fitting, clean zerk fitting and grease path.
Motor does not run when trigger is pulled	Battery	Make sure the battery is fully charged.
Grease leaks out of the back of the grease tube	Rubber seal is flipped the wrong direction	Refer to <i>Preparing the Grease Gun for Suction and Filler Pump Filling.</i>

DeWALT Battery and Charger Systems																										
Chargers/Charge Time (Minutes) – Chargeurs/Durée de charge (Minutes) – Cargadores de baterías/Tiempo de carga (Minutos)																										
Battery Cat #	Output Voltage	120 Volts																			12 Volts					
		DC011	DC022	DC9000	DC8310	DC8320	DCB095	DCB100	DCB101	DCB102	DCB103	DCB106	DCB107	DW911	DW9106	DW9107	DW9108	DW9116	DW9117	DW9118	DW9216	DW9226	DW0246	DCB119	DW0249	DW9109
DC9360	36	X	X	45	X	X	X	X	X	X	X	X	X	X	X	X	X	X	X	X	X	X	X	X	X	X
DCB361	36	X	X	45	X	X	X	X	X	X	X	X	X	X	X	X	X	X	X	X	X	X	X	X	X	X
DC9280	28	X	X	60	X	X	X	X	X	X	X	X	X	X	X	X	X	X	X	X	X	X	X	X	X	X
DW0242	24	X	X	X	X	X	X	X	X	X	X	X	X	X	X	X	X	X	X	X	X	60	X	60	X	X
DCB200	20	X	X	X	X	X	X	X	60	60	60	140	140	X	X	X	X	X	X	X	X	X	90	X	X	X
DCB201	20	X	X	X	X	X	X	X	30	30	30	70	70	X	X	X	X	X	X	X	X	X	45	X	X	X
DCB203	20	X	X	X	X	X	X	X	35	35	35	90	90	X	X	X	X	X	X	X	X	X	60	X	X	X
DCB204	20	X	X	X	X	X	X	X	70	70	70	185	185	X	X	X	X	X	X	X	X	X	120	X	X	X
DCB207	20	X	X	X	X	X	X	X	30	30	30	60	60	X	X	X	X	X	X	X	X	X	X	X	X	X
DC9096	18	60	60	X	60	60	X	X	X	60	X	X	60	X	X	X	60	60	20	X	60	130	X	X	X	60
DC9099	18	45	45	X	45	45	X	X	X	45	X	X	45	X	X	45	45	15	X	45	95	X	X	X	45	45
DC9180	18	X	X	X	60	60	X	X	X	60	X	X	X	X	X	X	X	X	X	X	X	X	X	X	X	60
DC9181	18	X	X	X	30	30	X	X	X	30	X	X	X	X	X	X	X	X	X	X	X	X	X	X	X	30
DW9096	18	60	60	X	60	60	X	X	X	60	X	X	60	X	X	60	20	X	60	130	X	X	X	X	60	60
DW9098	18	30	30	X	30	30	X	X	X	30	X	X	30	X	X	30	12	X	30	60	X	X	X	X	30	30
DW9099	18	45	45	X	45	45	X	X	X	45	X	X	45	X	X	45	45	15	X	45	95	X	X	X	45	45
DC9091	14.4	60	60	X	60	60	X	X	X	60	X	X	60	90	60	60	60	20	115	60	115	X	X	X	60	60
DC9094	14.4	45	45	X	45	45	X	X	X	45	X	X	45	60	45	45	45	15	90	45	90	X	X	X	45	45
DW9091	14.4	45	45	X	45	45	X	X	X	45	X	X	45	60	45	45	45	15	90	45	90	X	X	X	45	45
DW9094	14.4	30	30	X	30	30	X	X	X	30	X	X	30	45	30	30	30	12	60	30	60	X	X	X	30	30
DCB120	12	X	X	X	X	X	X	40	30	30	30	X	60	X	X	X	X	X	X	X	X	X	45	X	X	X
DCB127	12	X	X	X	X	X	X	35	35	35	X	90	X	X	X	X	X	X	X	X	X	60	X	X	X	X
DC9071	12	60	60	X	60	60	X	X	X	60	X	X	60	90	60	60	20	115	60	115	X	X	X	X	60	60
DW9050	12	X	X	X	X	X	X	X	X	X	X	X	40	X	X	X	X	X	X	X	X	X	X	X	X	X
DW9071	12	45	45	X	45	45	X	X	X	45	X	X	45	60	45	45	45	15	90	45	90	X	X	X	45	45
DW9072	12	30	30	X	30	30	X	X	X	30	X	X	30	45	30	30	30	12	60	30	60	X	X	X	30	30
DW9048	9.6	X	X	X	X	X	X	X	X	X	X	X	40	X	X	X	X	X	X	X	X	X	X	X	X	X
DW9061	9.6	45	45	X	45	45	X	X	X	45	X	X	45	60	45	45	45	15	90	45	90	X	X	X	45	45
DW9062	9.6	30	30	X	30	30	X	X	X	30	X	X	30	45	30	30	30	12	60	30	60	X	X	X	30	30
DCB080	8	X	X	X	X	X	60	X	X	X	X	X	X	X	X	X	X	X	X	X	X	X	X	X	X	X
DW9057	7.2	30	30	X	30	30	X	X	X	30	X	X	30	45	30	30	30	12	60	30	60	X	X	X	30	30

"X" Indicates that the battery pack is not compatible with that specific charger.
 *X" indique que le bloc-piles n'est pas compatible avec ce chargeur.
 Una "X" indica que el paquete de baterías no es compatible con ese determinado cargador.

All charge times are approximate. Actual charge time may vary. Read the instruction manual for more specific information.
 Les durées de charge sont approximatives; la durée de charge réelle peut varier. Lire le manuel d'utilisation pour obtenir des renseignements plus précis.
 El tiempo de duración de carga es aproximado; la duración de carga real puede variar. Lea el manual de instrucciones para obtener información más precisa.

DeWALT Industrial Tool Co., 701 East Joppa Road, Baltimore, MD 21286
 (DEC13) Part No. N330280 DCGG570 Copyright © 2013 DeWALT

The following are trademarks for one or more DeWALT power tools: the yellow and black color scheme; the "D" shaped air intake grill; the array of pyramids on the handgrip; the kit box configuration; and the array of lozenge-shaped humps on the surface of the tool.