

If you have questions or comments, contact us.
 Pour toute question ou tout commentaire, nous contacter.
 Si tiene dudas o comentarios, contáctenos.

1-800-4-DEWALT • www.dewalt.com

INSTRUCTIVO DE OPERACIÓN, CENTROS DE SERVICIO Y PÓLIZA DE GARANTÍA. ADVERTENCIA: LEÁSE ESTE INSTRUCTIVO ANTES DE USAR EL PRODUCTO.

INSTRUCTION MANUAL
 GUIDE D'UTILISATION
 MANUAL DE INSTRUCCIONES



DWE6420, DWE6421, DWE6423

Random Orbit Palm Sanders

Ponceuse de paume orbitale à mouvement aléatoire

Lijadoras planas de órbita aleatoria

DeWALT Industrial Tool Co., 701 East Joppa Road, Towson, MD 21286

(APR15) Part No. N412818 DWE6420, DWE6421, DWE6423 Copyright © 2015 DeWALT

The following are trademarks for one or more DeWALT power tools: the yellow and black color scheme, the "D" shaped air intake grill, the array of pyramids on the handgrip, the kit box configuration, and the array of lozenge-shaped humps on the surface of the tool.

Definitions: Safety Guidelines

The definitions below describe the level of severity for each signal word. Please read the manual and pay attention to these symbols.

▲ DANGER: Indicates an imminently hazardous situation which, if not avoided, will result in death or serious injury.

▲ WARNING: Indicates a potentially hazardous situation which, if not avoided, could result in death or serious injury.

▲ CAUTION: Indicates a potentially hazardous situation which, if not avoided, may result in minor or moderate injury.

NOTICE: Indicates a practice not related to personal injury which, if not avoided, may result in property damage.

IF YOU HAVE ANY QUESTIONS OR COMMENTS ABOUT THIS OR ANY DEWALT TOOL, CALL US TOLL FREE AT: 1-800-4-DEWALT (1-800-433-9258).

WARNING: To reduce the risk of injury, read the instruction manual.

General Power Tool Safety Warnings

WARNING! Read all safety warnings and all instructions. Failure to follow the warnings and instructions may result in electric shock, fire and/or serious injury.

SAVE ALL WARNINGS AND INSTRUCTIONS FOR FUTURE REFERENCE

The term "power tool" in the warnings refers to your mains-operated (corded) power tool or battery-operated (cordless) power tool.

1) WORK AREA SAFETY

- a) **Keep work area clean and well lit.** Cluttered or dark areas invite accidents.
- b) **Do not operate power tools in explosive atmospheres, such as in the presence of flammable liquids, gases or dust.** Power tools create sparks which may ignite the dust or fumes.
- c) **Keep children and bystanders away while operating a power tool.** Distractions can cause you to lose control.

2) ELECTRICAL SAFETY

- a) **Power tool plugs must match the outlet. Never modify the plug in any way. Do not use any adapter plugs with earthed (grounded) power tools.** Unmodified plugs and matching outlets will reduce risk of electric shock.
- b) **Avoid body contact with earthed or grounded surfaces such as pipes, radiators, ranges and refrigerators.** There is an increased risk of electric shock if your body is earthed or grounded.
- c) **Do not expose power tools to rain or wet conditions.** Water entering a power tool will increase the risk of electric shock.
- d) **Do not abuse the cord. Never use the cord for carrying, pulling or unplugging the power tool. Keep cord away from heat, oil, sharp edges or moving parts.** Damaged or entangled cords increase the risk of electric shock.
- e) **When operating a power tool outdoors, use an extension cord suitable for outdoor use.** Use of a cord suitable for outdoor use reduces the risk of electric shock.
- f) **If operating a power tool in a damp location is unavoidable, use a ground fault circuit interrupter (GFCI) protected supply.** Use of a GFCI reduces the risk of electric shock.

3) PERSONAL SAFETY

- a) **Stay alert, watch what you are doing and use common sense when operating a power tool. Do not use a power tool while you are tired or under the influence of drugs, alcohol or medication.** A moment of inattention while operating power tools may result in serious personal injury.

- b) **Use personal protective equipment. Always wear eye protection.** Protective equipment such as dust mask, non-skid safety shoes, hard hat, or hearing protection used for appropriate conditions will reduce personal injuries.
- c) **Prevent unintentional starting. Ensure the switch is in the off position before connecting to power source and/or battery pack, picking up or carrying the tool.** Carrying power tools with your finger on the switch or energizing power tools that have the switch on invites accidents.
- d) **Remove any adjusting key or wrench before turning the power tool on.** A wrench or a key left attached to a rotating part of the power tool may result in personal injury.
- e) **Do not overreach. Keep proper footing and balance at all times.** This enables better control of the power tool in unexpected situations.
- f) **Dress properly. Do not wear loose clothing or jewelry. Keep your hair, clothing and gloves away from moving parts.** Loose clothes, jewelry or long hair can be caught in moving parts.
- g) **If devices are provided for the connection of dust extraction and collection facilities, ensure these are connected and properly used.** Use of dust collection can reduce dust-related hazards.

4) POWER TOOL USE AND CARE

- a) **Do not force the power tool. Use the correct power tool for your application.** The correct power tool will do the job better and safer at the rate for which it was designed.
- b) **Do not use the power tool if the switch does not turn it on and off.** Any power tool that cannot be controlled with the switch is dangerous and must be repaired.
- c) **Disconnect the plug from the power source and/or the battery pack from the power tool before making any adjustments, changing accessories, or storing power tools.** Such preventive safety measures reduce the risk of starting the power tool accidentally.
- d) **Store idle power tools out of the reach of children and do not allow persons unfamiliar with the power tool or these instructions to operate the power tool.** Power tools are dangerous in the hands of untrained users.
- e) **Maintain power tools. Check for misalignment or binding of moving parts, breakage of parts and any other condition that may affect the power tool's operation. If damaged, have the power tool repaired before use.** Many accidents are caused by poorly maintained power tools.
- f) **Keep cutting tools sharp and clean.** Properly maintained cutting tools with sharp cutting edges are less likely to bind and are easier to control.
- g) **Use the power tool, accessories and tool bits, etc. in accordance with these instructions, taking into account the working conditions and the work to be performed.** Use of the power tool for operations different from those intended could result in a hazardous situation.

5) SERVICE

- a) **Have your power tool serviced by a qualified repair person using only identical replacement parts.** This will ensure that the safety of the power tool is maintained.

Additional Safety Instructions for Sanders

- **Accessories must be rated for at least the speed recommended on the tool warning label.** Wheels and other accessories running over rated speed can fly apart and cause injury. Accessory ratings must be above listed minimum wheel speed as shown on tool nameplate.
- **Hold power tools by insulated gripping surfaces when performing an operation where the cutting tool may contact hidden wiring or its own cord.** Contact with a "live" wire will make exposed metal parts of the tool "live" and shock the operator.
- **Always wear eye protection and a respirator when sanding.**
- **Sanding of lead-based paint is not recommended.** See **Precautions To Take When Sanding Paint** for additional information before sanding paint.
- **Do not operate the unit without the dust collection bag.**
- **Clean your tool out periodically.**
- **Empty dust bag frequently, especially when sanding resin coated surfaces such as polyurethane, varnish, shellac, etc.** Dispose of coated dust particles according to the finish manufacturer's guidelines, or place in a metal can with a tight-fitting metal lid. Remove coated dust particles from the premises daily. The accumulation of fine sanding dust particles may self ignite and cause fire.
- **Replace a worn or damaged belt when it causes high tool rpm.** High tool rpm caused by a worn out belt may result in separation of sanding pad from the sander, possibly causing personal injury. For instructions on replacing the belt, see **Replacing the Sanding Pad and the Belt under Maintenance.**
- **Air vents often cover moving parts and should be avoided.** Loose clothes, jewelry or long hair can be caught in moving parts.
- **An extension cord must have adequate wire size (AWG or American Wire Gauge) for safety.** The smaller the gauge number of the wire, the greater the capacity of the cable, that is 16 gauge has more capacity than 18 gauge. An undersized cord will cause a drop in line voltage resulting in loss of power and overheating. When using more than one extension to make up the total length, be sure each individual extension contains at least the minimum wire size. The following table shows the correct size to use depending on cord length and nameplate ampere rating. If in doubt, use the next heavier gauge. The smaller the gauge number, the heavier the cord.

		Minimum Gauge for Cord Sets			
		Volts	Total Length of Cord in Feet (meters)		
Ampere Rating	120V	25 (7.6)	50 (15.2)	100 (30.5)	150 (45.7)
	240V	50 (15.2)	100 (30.5)	200 (61.0)	300 (91.4)
More Than	Not More Than	AWG			
0	6	18	16	16	14
6	10	18	16	14	12
10	12	16	16	14	12
12	16	14	12	Not Recommended	

▲ WARNING: ALWAYS use safety glasses. Everyday eyeglasses are NOT safety glasses. Also use face or dust mask if cutting operation is dusty. ALWAYS WEAR CERTIFIED SAFETY EQUIPMENT:

- ANSI Z87.1 eye protection (CAN/CSA Z94.3),
- ANSI S12.6 (S3.19) hearing protection,
- NIOSH/OSHA/MSHA respiratory protection.

▲ WARNING: Some dust created by power sanding, sawing, grinding, drilling, and other construction activities contains chemicals known to the State of California to cause cancer, birth defects or other reproductive harm. Some examples of these chemicals are:

- lead from lead-based paints,
- crystalline silica from bricks and cement and other masonry products, and
- arsenic and chromium from chemically-treated lumber.

Your risk from these exposures varies, depending on how often you do this type of work. To reduce your exposure to these chemicals: work in a well ventilated area, and work with approved safety equipment, such as those dust masks that are specially designed to filter out microscopic particles.

• **Avoid prolonged contact with dust from power sanding, sawing, grinding, drilling, and other construction activities. Wear protective clothing and wash exposed areas with soap and water.** Allowing dust to get into your mouth, eyes, or lay on the skin may promote absorption of harmful chemicals.

▲ WARNING: Use of this tool can generate and/or disperse dust, which may cause serious and permanent respiratory or other injury. Always use NIOSH/OSHA approved respiratory protection appropriate for the dust exposure. Direct particles away from face and body.

may or may not need this warning, depends on tool:

▲ WARNING: Always wear proper personal hearing protection that conforms to ANSI S12.6 (S3.19) during use. Under some conditions and duration of use, noise from this product may contribute to hearing loss.

• The label on your tool may include the following symbols. The symbols and their definitions are as follows:

V.....volts	A.....amperes
Hz.....hertz	W.....watts
minminutes	~ or AC.....alternating current
=== or DC.....direct current	≈ or AC/DC.....alternating or direct current

- Ⓢ.....Class I Construction (grounded)
- Ⓜ.....Class II Construction (double insulated)
- .../minper minute
- IPM.....impacts per minute
- SPM.....strokes per minute
- no.....no load speed
- n.....rated speed
- Ⓧ.....earthing terminal
- ⚠.....safety alert symbol
- BPM.....beats per minute
- RPM.....revolutions per minute
- sfpm.....surface feet per minute

SAVE THESE INSTRUCTIONS FOR FUTURE USE

Motor

Be sure your power supply agrees with the nameplate marking. Voltage decrease of more than 10% will cause loss of power and overheating. DEWALT tools are factory tested; if this tool does not operate, check power supply.

COMPONENTS (FIG. 1)

⚠ WARNING: Never modify the power tool or any part of it. Damage or personal injury could result.

- A. On/Off switch
- B. Speed control dial (DWE6423)
- C. Dust extraction outlet
- D. Dust bag
- E. Dust bag collar
- F. Sanding pad
- G. Strain relief

ASSEMBLY AND ADJUSTMENTS

⚠ WARNING: To reduce the risk of injury, turn unit off and disconnect it from power source before installing and removing accessories, before adjusting or when making repairs. An accidental start-up can cause injury.

Attaching Sanding Discs (Fig. 2)

Your sander is designed to use 5" (125 mm) sanding discs (H) with an 8-hole dust extraction pattern. Sanding discs for the DWE6421 and DWE6423 attach with hook and loop. Sanding discs for the DWE6420 attach using pressure sensitive adhesive (PSA).

REQUIRED SANDPAPERS			
Model Sander	Disc Size	Attachment Method	Hole Pattern
DWE6420	5"	PSA	8 Holes
DWE6421	5"	Hook & Loop	8 Holes
DWE6423	5"	Hook & Loop	8 Holes

TO ATTACH SANDING DISC TO THE SANDING PAD (FIG. 2)

1. Turn the sander over so that the sanding pad (F) is facing upward.
2. Clean the dust from the sanding pad (F) face.
3. Hold the pad with one hand to keep it from rotating.
4. With the other hand, align the holes and place the disc (H) directly on top of the pad.

NOTE: These sanders are not to be used in drywall applications. Using a sanding screen (e.g., screen used for sanding drywall) directly on the hook and loop pad will not hold and will damage the hooks on the pad. The hooks on the pad will wear very rapidly if left in contact with the work surface while the tool is operating.

Switch (Fig. 3)

To turn the unit on, depress the side of the dust-protected switch (A) that corresponds to the symbol "I". To turn the tool off, depress the side of the switch that corresponds to the symbol "O".

Speed Control Dial (Fig. 1)

DWE6423

The speed control dial (B), shown in Figure 1, allows you to increase or decrease speed from 8,000–12,000 Orbits Per Minute. The optimal speed setting for each application is very much dependent on personal preference. Generally, you will want to use a higher setting on harder materials and a lower setting on softer materials. Material removal rate increases as speed increases.

Dust Extraction (Fig. 4, 5)

Your sander has two dust extraction methods: a built-in outlet (C) which allows either the supplied dust bag (D) or a shop vacuum system to be connected; and a dust skirt (M, Fig. 5). The built-in outlet utilizes the DEWALT AirLock connection making it compatible with the DEWALT dust extractor.

TO ATTACH THE DUST BAG

1. While holding the sander, fit the dust bag collar (E) to the outlet (C) as shown in Figure 4.
2. Turn the collar (E) clockwise to lock the dust bag (D) in place.

TO EMPTY THE DUST BAG

1. While holding the sander, turn the collar (E) counterclockwise to unlock the dust bag (D).
2. Remove dust bag from the sander and gently shake or tap the dust bag to empty.
3. Reattach the dust bag back onto the outlet and lock into place by turning the dust bag collar clockwise.

You may notice that all the dust will not come free from the bag. This will not affect sanding performance but will reduce the sander's dust collection efficiency. To restore your sander's dust collection efficiency, depress the spring inside the dust bag when you are emptying it and tap it on the side of the trash can or dust receptacle.

⚠ CAUTION: Never operate these tools unless the dust collector is in place. Sanding dust exhaust may create a breathing hazard.

OPERATION (FIG. 6)

⚠ WARNING: To reduce the risk of injury, turn unit off and disconnect it from power source before installing and removing accessories, before adjusting or when making repairs. An accidental start-up can cause injury.

NOTICE: These sanders are not to be used in drywall applications.

NOTICE: Avoid overloading your sander. Overloading will result in a considerable reduction in speed and finish quality of your work. The unit may also become hot. In this event, run sander at a no load condition for a minute or two.

NOTICE: If you wrap the cord around the tool when you store it, leave a generous loop of cord such that the strain relief (G) does not bend. This helps prevent premature cord failure.

To operate your sander, grasp it as shown in Figures 6A or 6B and turn it on. Move the unit in long, sweeping strokes along the surface being sanded, letting the sander do the work.

Pushing down on the tool while sanding actually slows the removal rate and produces an inferior quality surface. Be sure to check your work often, this sander is capable of removing material rapidly, especially with coarse paper.

The random orbital action of your sander allows you to sand with the grain or at any angle across it for most sanding jobs. To produce the best finish possible, start with coarse grit sandpaper and change gradually to finer and finer paper. Vacuum and wipe surface with a tack cloth between grit steps. Your sander is designed to sand into small or confined areas. Its small size and light weight make it ideal for overhead work.

The rate at which the dust collection bag fills up will vary with the type of material being sanded and the coarseness of the sandpaper. For best results, empty the bag frequently. When sanding painted surfaces, (see the following for additional precautions when sanding paint) you may find that the sandpaper loads up and clogs with paint. A heat gun will work much better to remove paint before sanding. FOLLOW ALL SAFETY INSTRUCTIONS IN HEAT GUN INSTRUCTION MANUAL.

NOTE (DWE6420 ONLY): When using PSA sanding discs, remove the disc soon after operation. PSA paper, if the disc is left on during tool storage, sometimes becomes difficult to remove. To aid in the removal of old PSA paper, sand for a few minutes to soften the adhesive backing prior to changing disc.

Precautions To Take When Sanding Paint

1. Sanding of lead based paint is NOT RECOMMENDED due to the difficulty of controlling the contaminated dust. The greatest danger of lead poisoning is to children and pregnant women.
2. Since it is difficult to identify whether or not a paint contains lead without a chemical analysis, we recommend the following precautions when sanding any paint:

PERSONAL SAFETY

1. No children or pregnant women should enter the work area where the paint sanding is being done until all clean up is completed.

FIG. 1

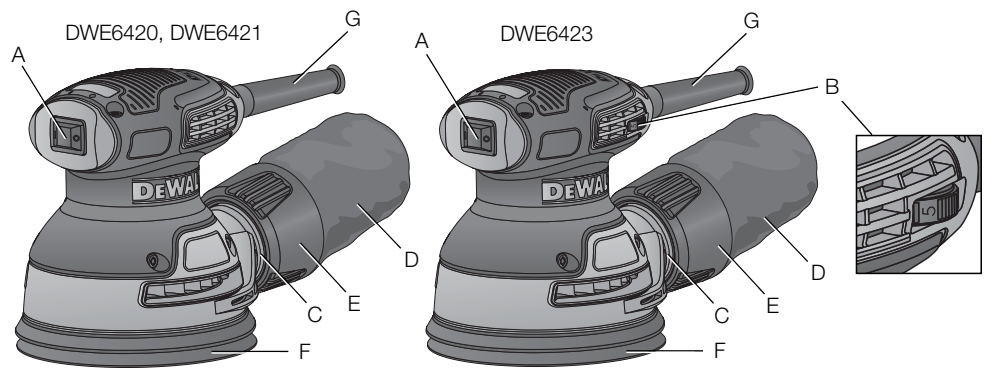


FIG. 2

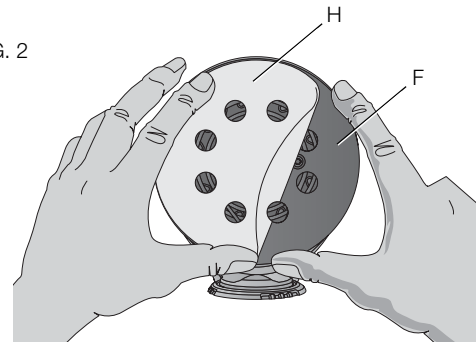


FIG. 3

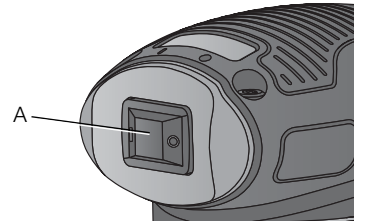


FIG. 4

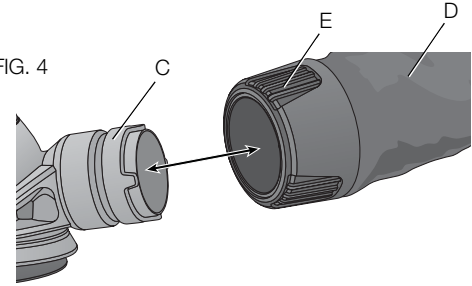


FIG. 5

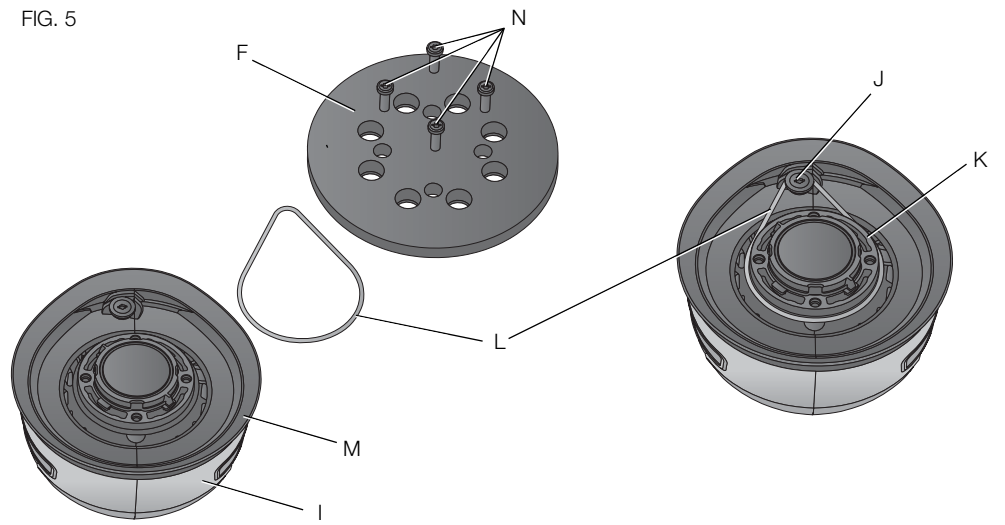


FIG. 6A

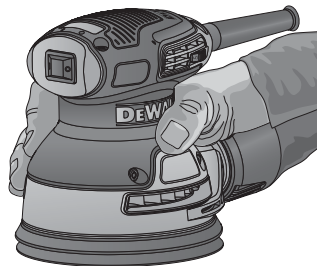
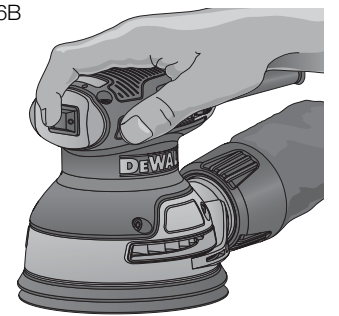


FIG. 6B



2. A dust mask or respirator should be worn by all persons entering the work area. The filter should be replaced daily or whenever the wearer has difficulty breathing. See your local hardware store for the proper NIOSH-approved dust mask.
3. NO EATING, DRINKING or SMOKING should be done in the work area to prevent ingesting contaminated paint particles. Workers should wash and clean up BEFORE eating, drinking or smoking. Articles of food, drink, or smoking should not be left in the work area where dust would settle on them.

ENVIRONMENTAL SAFETY

1. Paint should be removed in such a manner as to minimize the amount of dust generated.
2. Areas where paint removal is occurring should be sealed with plastic sheeting of 4 mils thickness.
3. Sanding should be done in a manner to reduce tracking of paint dust outside the work area.

CLEANING AND DISPOSAL

1. All surfaces in the work area should be vacuumed and thoroughly cleaned daily for the duration of the sanding project. Vacuum filter bags should be changed frequently.
2. Plastic drop cloths should be gathered up and disposed of along with any dust chips or other removal debris. They should be placed in sealed refuse receptacles and disposed of through regular trash pick-up procedures. During clean up, children and pregnant women should be kept away from the immediate work area.
3. All toys, washable furniture and utensils used by children should be washed thoroughly before being used again.

MAINTENANCE

⚠ WARNING: To reduce the risk of injury, turn unit off and disconnect it from power source before installing and removing accessories, before adjusting or when making repairs. An accidental start-up can cause injury.

Replacing the Sanding Pad and the Belt (Fig. 5)

Your sander is equipped with a replaceable belt (L) which is located between the pad (F) and the sander body (I). It is designed to control the pad speed while the unit is off the work surface. The belt and the sanding pad (F) are designed to be consumable parts and will occasionally need to be replaced. The sanding pad needs replacement when signs of wear become evident. Replacement of the belt is necessary when the pad speed increases very dramatically when the unit is lifted from the work surface. These parts are available at extra cost from your local dealer or authorized DEWALT service center.

1. Holding the platen firmly, remove the four screws (N) from the bottom of the pad.
2. Remove the pad (F).
3. Replace worn or damaged belt (L) by wrapping it around the shoulder screw (J) and bearing retainer (K) as shown in Figure 5.
4. Reinstall pad (replace with new pad if necessary). Replace the 3 screws (N). Be careful not to over-tighten screws.

Cleaning

▲ WARNING: Blow dirt and dust out of all air vents with clean, dry air at least once a week. To minimize the risk of eye injury, always wear ANSI Z87.1 approved eye protection when performing this.

▲ WARNING: Never use solvents or other harsh chemicals for cleaning the non-metallic parts of the tool. These chemicals may weaken the plastic materials used in these parts. Use a cloth dampened only with water and mild soap. Never let any liquid get inside the tool; never immerse any part of the tool into a liquid.

Accessories

▲ WARNING: Since accessories, other than those offered by DEWALT, have not been tested with this product, use of such accessories with this tool could be hazardous. To reduce the risk of injury, only DEWALT recommended accessories should be used with this product.

Recommended accessories for use with your tool are available at extra cost from your local dealer or authorized service center. If you need assistance in locating any accessory, please contact DEWALT Industrial Tool Co., 701 East Joppa Road, Towson, MD 21286, call 1-800-4-DEWALT (1-800-433-9258) or visit our website: www.dewalt.com.

Lubrication

Self lubricating bearings are used in the tool and periodic relubrication is not required. However, it is recommended that, once a year, you take or send the tool to a service center for a thorough cleaning and inspection.

Repairs

To assure product SAFETY and RELIABILITY, repairs, maintenance and adjustment (including brush inspection and replacement) should be performed by a DEWALT factory service center, a DEWALT authorized service center or other qualified service personnel. Always use identical replacement parts.

Register Online

Thank you for your purchase. Register your product now for:

- **WARRANTY SERVICE:** Registering your product will help you obtain more efficient warranty service in case there is a problem with your product.
- **CONFIRMATION OF OWNERSHIP:** In case of an insurance loss, such as fire, flood or theft, your registration of ownership will serve as your proof of purchase.
- **FOR YOUR SAFETY:** Registering your product will allow us to contact you in the unlikely event a safety notification is required under the Federal Consumer Safety Act.

Register online at www.dewalt.com/register.

Three Year Limited Warranty

DEWALT will repair, without charge, any defects due to faulty materials or workmanship for three years from the date of purchase. This warranty does not cover part failure due to normal wear or tool abuse. For further detail of warranty coverage and warranty repair information, visit www.dewalt.com or call 1-800-4-DEWALT (1-800-433-9258). This warranty does not apply to accessories or damage caused where repairs have been made or attempted by others. This warranty gives you specific legal rights and you may have other rights which vary in certain states or provinces.

In addition to the warranty, DEWALT tools are covered by our:

1 YEAR FREE SERVICE

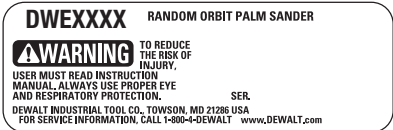
DEWALT will maintain the tool and replace worn parts caused by normal use, for free, any time during the first year after purchase.

90 DAY MONEY BACK GUARANTEE

If you are not completely satisfied with the performance of your DEWALT Power Tool, Laser, or Nailer for any reason, you can return it within 90 days from the date of purchase with a receipt for a full refund – no questions asked.

LATIN AMERICA: This warranty does not apply to products sold in Latin America. For products sold in Latin America, see country specific warranty information contained in the packaging, call the local company or see website for warranty information.

FREE WARNING LABEL REPLACEMENT: If your warning labels become illegible or are missing, call 1-800-4-DEWALT (1-800-433-9258) for a free replacement.



Définitions : lignes directrices en matière de sécurité

Les définitions ci-dessous décrivent le niveau de danger pour chaque mot-indicateur employé. Lire le mode d'emploi et porter une attention particulière à ces symboles.

▲ DANGER : indique une situation dangereuse imminente qui, si elle n'est pas évitée, **entraînera la mort ou des blessures graves.**

▲ AVERTISSEMENT : indique une situation potentiellement dangereuse qui, si elle n'est pas évitée, **pourrait entraîner la mort ou des blessures graves.**

▲ ATTENTION : indique une situation potentiellement dangereuse qui, si elle n'est pas évitée, **pourrait entraîner des blessures légères ou modérées.**

AVIS : indique une pratique ne posant **aucun risque de dommages corporels** mais qui par contre, si rien n'est fait pour l'éviter, **pourrait poser des risques de dommages matériels.**

POUR TOUTE QUESTION OU REMARQUE AU SUJET DE CET OUTIL OU DE TOUT AUTRE OUTIL DEWALT, COMPOSEZ LE NUMÉRO SANS FRAIS : **1-800-4-DEWALT (1-800-433-9258)**.

▲ AVERTISSEMENT : afin de réduire le risque de blessures, lire le mode d'emploi de l'outil.

Avertissements de sécurité généraux pour les outils électriques

▲ AVERTISSEMENT ! Lire tous les avertissements de sécurité et toutes les directives. Le non-respect des avertissements et des directives pourrait se solder par un choc électrique, un incendie et/ou une blessure grave.

CONSERVER TOUS LES AVERTISSEMENTS ET TOUTES LES DIRECTIVES POUR UN USAGE ULTÉRIEUR

Le terme « outil électrique » cité dans les avertissements se rapporte à votre outil électrique à alimentation sur secteur (avec fil) ou par piles (sans fil).

1) SÉCURITÉ DU LIEU DE TRAVAIL

- a) **Tenir l'aire de travail propre et bien éclairée.** Les lieux encombrés ou sombres sont propices aux accidents.
- b) **Ne pas faire fonctionner d'outils électriques dans un milieu déflagrant, tel qu'en présence de liquides, de gaz ou de poussières inflammables.** Les outils électriques produisent des étincelles qui pourraient enflammer la poussière ou les vapeurs.
- c) **Éloigner les enfants et les personnes à proximité pendant l'utilisation d'un outil électrique.** Une distraction pourrait en faire perdre la maîtrise à l'utilisateur.

2) SÉCURITÉ EN MATIÈRE D'ÉLECTRICITÉ

- a) **Les fiches des outils électriques doivent correspondre à la prise. Ne jamais modifier la fiche d'aucune façon. Ne jamais utiliser de fiche d'adaptation avec un outil électrique mis à la terre.** Le risque de choc électrique sera réduit par l'utilisation de fiches non modifiées correspondant à la prise.
- b) **Éviter tout contact physique avec des surfaces mises à la terre comme des tuyaux, des radiateurs, des cuisinières et des réfrigérateurs.** Le risque de choc électrique est plus élevé si votre corps est mis à la terre.
- c) **Ne pas exposer les outils électriques à la pluie ou à l'humidité.** La pénétration de l'eau dans un outil électrique augmente le risque de choc électrique.
- d) **Ne pas utiliser le cordon de façon abusive. Ne jamais utiliser le cordon pour transporter, tirer ou débrancher un outil électrique. Tenir le cordon éloigné de la chaleur, de l'huile, des bords tranchants et des pièces mobiles.** Les cordons endommagés ou enchevêtrés augmentent les risques de choc électrique.
- e) **Pour l'utilisation d'un outil électrique à l'extérieur, se servir d'une rallonge convenant à cette application.** L'utilisation d'une rallonge conçue pour l'extérieur réduira les risques de choc électrique.
- f) **S'il est impossible d'éviter l'utilisation d'un outil électrique dans un endroit humide, brancher l'outil dans une prise ou sur un circuit d'alimentation dotés d'un disjoncteur de fuite à la terre (GFCI).** L'utilisation de ce type de disjoncteur réduit les risques de choc électrique.

3) SÉCURITÉ PERSONNELLE

- a) **Être vigilant, surveiller le travail effectué et faire preuve de jugement lorsqu'un outil électrique est utilisé. Ne pas utiliser d'outil électrique en cas de fatigue ou sous l'influence de drogues, d'alcool ou de médicaments.** Un simple moment d'inattention en utilisant un outil électrique peut entraîner des blessures corporelles graves.
- b) **Utiliser des équipements de protection individuelle. Toujours porter une protection oculaire.** L'utilisation d'équipements de protection comme un masque antipoussière, des chaussures antidérapantes, un casque de sécurité ou des protecteurs auditifs lorsque la situation le requiert réduira les risques de blessures corporelles.
- c) **Empêcher les démarrages intempestifs. S'assurer que l'interrupteur se trouve à la position d'arrêt avant de relier l'outil à une source d'alimentation et/ou d'insérer un bloc-piles, de ramasser ou de transporter l'outil.** Transporter un outil électrique alors que le doigt repose sur l'interrupteur ou brancher un outil électrique dont l'interrupteur est à la position de marche risque de provoquer un accident.
- d) **Retirer toute clé de réglage ou clé avant de débrancher l'outil.** Une clé ou une clé de réglage attachée à une partie pivotante de l'outil électrique peut provoquer des blessures corporelles.
- e) **Ne pas trop tendre les bras. Conserver son équilibre en tout temps.** Cela permet de mieux maîtriser l'outil électrique dans les situations imprévues.
- f) **S'habiller de manière appropriée. Ne pas porter de vêtements amples ni de bijoux. Garder les cheveux, les vêtements et les gants à l'écart des pièces mobiles.** Les vêtements amples, les bijoux ou les cheveux longs risquent de rester coincés dans les pièces mobiles.
- g) **Si des composants sont fournis pour le raccordement de dispositifs de dépoussiérage et de ramassage, s'assurer que ceux-ci sont bien raccordés et utilisés.** L'utilisation d'un dispositif de dépoussiérage peut réduire les dangers engendrés par les poussières.

4) UTILISATION ET ENTRETIEN D'UN OUTIL ÉLECTRIQUE

- a) **Ne pas forcer un outil électrique. Utiliser l'outil électrique approprié à l'application.** L'outil électrique approprié effectuera un meilleur travail, de façon plus sûre et à la vitesse pour laquelle il a été conçu.
- b) **Ne pas utiliser un outil électrique dont l'interrupteur est défectueux.** Tout outil électrique dont l'interrupteur est défectueux est dangereux et doit être réparé.
- c) **Débrancher la fiche de la source d'alimentation et/ou du bloc-piles de l'outil électrique avant de faire tout réglage ou changement d'accessoire ou avant de ranger l'outil.** Ces mesures préventives réduisent les risques de démarrage accidentel de l'outil électrique.
- d) **Ranger les outils électriques hors de la portée des enfants et ne permettre à aucune personne n'étant pas familière avec un outil électrique ou son mode d'emploi d'utiliser cet outil.** Les outils électriques deviennent dangereux entre les mains d'utilisateurs inexpérimentés.
- e) **Entretien des outils électriques. Vérifier si les pièces mobiles sont mal alignées ou coincées, si des pièces sont brisées ou présentent toute autre condition susceptible de nuire au bon fonctionnement de l'outil électrique. En cas de dommage, faire réparer l'outil électrique avant toute nouvelle utilisation.** Beaucoup d'accidents sont causés par des outils électriques mal entretenus.
- f) **S'assurer que les outils de coupe sont aiguisés et propres.** Les outils de coupe bien entretenus et affûtés sont moins susceptibles de se coincer et sont plus faciles à maîtriser.
- g) **Utiliser l'outil électrique, les accessoires, les forêts, etc. conformément aux présentes directives en tenant compte des conditions de travail et du travail à effectuer.** L'utilisation d'un outil électrique pour toute opération autre que celle pour laquelle il a été conçu est dangereuse.

5) RÉPARATION

- a) **Faire réparer l'outil électrique par un réparateur professionnel en n'utilisant que des pièces de rechange identiques.** Cela permettra de maintenir une utilisation sécuritaire de l'outil électrique.

Règles de sécurité additionnelles relatives aux ponceuses

- **La vitesse des accessoires doit correspondre à la vitesse minimale recommandée indiquée sur l'étiquette d'avertissement de l'outil,** car les meules et les accessoires qui sont réglés à une vitesse trop élevée peuvent se briser et occasionner des blessures lorsque des fragments de métal sont projetés. S'assurer que l'intensité nominale des accessoires utilisés est supérieure à la vitesse minimum des meules indiquée sur la plaque signalétique.
- **Tenir l'outil par les surfaces isolées prévues à cette fin lorsqu'il risque d'entrer en contact avec des fils cachés ou son propre cordon,** car de tels contacts peuvent mettre les pièces métalliques de l'outil sous tension, engendrant des risques de choc électrique.
- **Toujours porter des lunettes de protection et un appareil respiratoire antipoussière pendant le ponçage.**
- **Le ponçage de peintures à base de plomb n'est pas recommandé.** Se reporter à la section **Mesures de précaution concernant le ponçage de peinture** pour plus d'informations quant au ponçage des peintures.
- **Ne pas utiliser l'appareil sans le sac à poussières.**
- **Nettoyer cet outil périodiquement.**
- **Vider le sac à poussières fréquemment, particulièrement lors du ponçage de surfaces enduites de résines synthétiques tels polyuréthanes, vernis, gommes laques, etc.** Se défaire des particules de poussières enrobées conformément aux directives du fabricant, ou les mettre dans une boîte métallique à fermeture hermétique. Éliminer quotidiennement toute particule de poussière enrobée des lieux de travail. L'accumulation de fines particules de poussières poncées pourrait s'auto enflammer et causer un incendie.
- **Remplacer une courroie endommagée ou usée lorsque les r/min de l'outil seront excessives.** Les rotations par minute trop élevées causées par une courroie usée pourraient causer la séparation du tampon ponceur de la ponceuse, et poser des risques de dommages corporels. Pour toute instruction relative au changement de la courroie, se reporter à la section **Remplacement du tampon ponceur et de la courroie** sous **Maintenance**.
- **Prendre des précautions à proximité des événements, car ils cachent des pièces mobiles.** Vêtements amples, bijoux ou cheveux longs risquent de rester coincés dans ces pièces mobiles.
- **Pour la sécurité de l'utilisateur, utiliser une rallonge de calibre adéquat (AWG, American Wire Gauge [calibrage américain normalisé des fils électriques]).** Plus le calibre est petit, et plus sa capacité est grande. Un calibre 16, par exemple, a une capacité supérieure à un calibre 18. L'usage d'une rallonge de calibre insuffisant causera une chute de tension qui entraînera perte de puissance et surchauffe. Si plus d'une rallonge est utilisée pour obtenir une certaine longueur, s'assurer que chaque rallonge présente au moins le calibre de fil minimum. Le tableau ci-dessous illustre les calibres à utiliser selon la longueur de rallonge et l'intensité nominale indiquée sur la plaque signalétique. En cas de doute, utiliser le calibre suivant. Plus le calibre est petit, plus la rallonge peut supporter de courant.

Calibres minimaux des rallonges						
Intensité (en ampères)		volts	Longueur totale de cordon en mètres (pieds)			
		120 V	7,6 (25)	15,2 (50)	30,5 (100)	45,7 (150)
		240 V	15,2 (50)	30,5 (100)	61,0 (200)	91,4 (300)
Supérieur à	Inférieur à	AWG				
0	6		18	16	16	14
6	10		18	16	14	12
10	12		16	16	14	12
12	16		14	12	Non recommandé	

⚠AVERTISSEMENT : porter **SYSTEMATIQUEMENT des lunettes de protection. Les lunettes courantes NE sont PAS des lunettes de protection. Utiliser aussi un masque antipoussières si la découpe doit en produire beaucoup. PORTER SYSTEMATIQUEMENT UN ÉQUIPEMENT DE SÉCURITÉ HOMOLOGUÉ :**

- Protection oculaire ANSI Z87.1 (CAN/CSA Z94.3) ;
- Protection auditive ANSI S12.6 (S3.19) ;
- Protection des voies respiratoires NIOSH/OSHA/MSHA.

⚠AVERTISSEMENT : les scies, meules, ponceuses, perceuses ou autres outils de construction peuvent produire des poussières contenant des produits chimiques reconnus par l'État californien pour causer cancers, malformations congénitales ou être nocifs au système reproducteur. Parmi ces produits chimiques, on retrouve :

- Le plomb dans les peintures à base de plomb ;
- La silice cristallisée dans les briques et le ciment, ou autres produits de maçonnerie ; et
- L'arsenic et le chrome dans le bois ayant subi un traitement chimique.

Le risque associé à de telles expositions varie selon la fréquence à laquelle on effectue ces travaux. Pour réduire toute exposition à ces produits : travailler dans un endroit bien aéré, en utilisant du matériel de sécurité homologué, tel un masque antipoussières spécialement conçu pour filtrer les particules microscopiques.

- Limiter toute exposition prolongée avec les poussières provenant du ponçage, sciage, meulage, perçage ou toute autre activité de construction. Porter des vêtements de protection et nettoyer à l'eau savonneuse les parties du corps exposées. Le fait de laisser la poussière pénétrer dans la bouche, les yeux ou la peau peut favoriser l'absorption de produits chimiques dangereux.**

⚠AVERTISSEMENT : cet outil peut produire et/ou répandre de la poussière susceptible de causer des dommages sérieux et permanents au système respiratoire. Utiliser systématiquement un appareil de protection des voies respiratoires homologué par le NIOSH ou l'OSHA. Diriger les particules dans le sens opposé au visage et au corps.

- L'étiquette apposée sur votre outil peut inclure les symboles suivants. Les symboles et leur définition sont indiqués ci-après :

V..... volts	A..... ampères
Hz.....hertz	W..... watts
minminutes	~ ou AC..... courant alternatif
== ou DC....courant continu	↻ ou AC/DC... courant alternatif ou continu
ⓘ classe I fabrication (mis à la terre)	no vitesse à vide
Ⓛ fabrication classe II (double isolation)	n vitesse nominale
.../minpar minute	⊕ borne de terre
IPM.....impacts par minute	⚠ symbole d'avertissement
sfpmpieds linéaires par minute (plpm)	BPM..... battements par minute
SPM (FPM)....fréquence par minute	r/min tours par minute

CONSERVER CES CONSIGNES POUR UTILISATION ULTÉRIEURE

Moteur

S'assurer que le bloc d'alimentation est compatible avec l'inscription de la plaque signalétique.Une diminution de tension de plus de 10 % provoquera une perte de puissance et une surchauffe. Les outils DEWALT sont testés en usine ; si cet outil ne fonctionne pas, vérifier l'alimentation électrique.

DESCRIPTION (Fig. 1)

⚠AVERTISSEMENT : ne jamais modifier l'outil électrique ni aucun de ses composants, car il y a risques de dommages corporels ou matériels.

- | | |
|------------------------------|--|
| A. Interrupteur Marche/Arrêt | E. Collier de serrage du sac à poussière |
| B. Pressostat (DWE6423) | F. Tampon ponceur |
| C. Buse de dépoussiérage | G. Protecteur de cordon |
| D. Sac à poussière | |

ASSEMBLAGE ET AJUSTEMENTS

⚠AVERTISSEMENT : *pour réduire le risque de blessures, éteindre l'appareil et le débrancher avant d'installer ou de retirer tout accessoire et avant d'effectuer des réglages ou des réparations. Un démarrage accidentel peut provoquer des blessures.*

Installation des disques abrasifs (Fig. 2)

Cette ponceuse a été conçue pour fonctionner avec des disques abrasifs (H) de 125 mm (5 po) avec une configuration de dépoussiérage à 8 trous. Les disques des modèles DWE6421 et DWE6423 sont rattachés par crochets et boucles. Les disques abrasifs pour le modèle DWE6420 sont auto-adhésifs (PSA).

PAPIERS ABRASIFS REQUIS			
Modèle de ponceuse	Taille de disque	Méthode d'attachement	Configuration des trous
DWE6420	125 mm (5 po)	PSA	8 trous
DWE6421	125 mm (5 po)	Crochet et boucle	8 trous
DWE6423	125 mm (5 po)	Crochet et boucle	8 trous

RATTACHER LE DISQUE ABRASIF AU TAMPON PONCEUR (Fig. 2)

- Tourner la ponceuse de façon à ce que le tampon ponceur (F) soit sur le dessus.
- Éliminer toute poussière de la surface du tampon ponceur (F).
- Maintenir le tampon d'une main pour l'empêcher de tourner.
- De l'autre main, aligner les trous et placer le disque (H) directement sur le tampon.

REMARQUE : ces ponceuses ne doivent pas être utilisées pour des travaux sur cloisons sèches. L'utilisation d'un écran de ponçage (ex. : écran utilisé pour poncer les cloisons sèches) directement sur le tampon à crochet et boucle ne tiendra pas en place et endommagera les crochets sur le tampon. Les crochets du tampon s'useront très rapidement si laissés en contact avec la surface à travailler pendant le fonctionnement de l'appareil.

Interrupteur (Fig. 3)

Pour mettre l'appareil en marche, appuyer sur le côté de l'interrupteur (A) étanche à la poussière correspondant au symbole « I ». Pour arrêter l'outil, appuyer sur le côté de l'interrupteur correspondant au symbole « O ».

Bouton de réglage de la vitesse (Fig. 1)

DWE6423

Le bouton de réglage de la vitesse (B), (Fig. 1), permet d'accélérer ou ralentir la vitesse de 8.000 à 12.000 tours par minute. La vitesse optimale de chaque application est une question de préférence personnelle. Généralement, il est conseillé d'utiliser une vitesse élevée sur des matériaux durs et basse sur des matériaux plus tendres. L'érosion du matériau augmente avec la vitesse.

Dépoussiérage (Fig. 4, 5)

Votre ponceuse utilise deux méthodes d'extraction des poussières : une buse intégrée (C) qui permet d'y connecter soit le sac à poussière (D) fourni avec l'outil soit un système d'aspirateur d'atelier; et une colerette anti-poussière (M, fig. 5). La buse intégrée utilise une connexion étanche DEWALT qui est compatible avec tous les extracteurs de poussière DEWALT.

POUR CONNECTER LE SAC À POUSSIÈRE

- Tout en maintenant la ponceuse, insérez le collier de serrage du sac à poussière (E) sur la buse (C), comme illustré en figure 4.
- Tournez le collier (E) vers la droite pour verrouiller le sac à poussière (D) en place.

POUR VIDER LE SAC À POUSSIÈRE

- Tout en maintenant la ponceuse, tournez le collier (E) vers la gauche pour déverrouiller le sac à poussière (D).
- Retirez le sac à poussière de la ponceuse et secouez-le légèrement ou tapotez-le pour le vider.
- Rattachez le sac à poussière sur la buse et verrouillez-le en place en tournant le collier de serrage du sac à poussière vers la droite.

Il se peut que toute la poussière ne soit pas évacuée du sac. Cela n'affectera pas les performances de la ponceuse, mais réduira l'efficacité d'aspiration de la poussière. Pour restaurer son rendement d'aspiration, appuyez sur le ressort à l'intérieur du sac à poussière lorsque vous le videz et tapotez le sac sur les côtés du réceptacle de récupération utilisé, poubelle ou autre.

⚠ATTENTION : ne jamais utiliser cet outil sans le système de dépoussiérage en place. L'évacuation des poussières du ponçage pose des risques au système respiratoire.

UTILISATION (Fig. 6)

⚠AVERTISSEMENT : pour réduire le risque de blessures, éteindre l'appareil et le débrancher avant d'installer ou de retirer tout accessoire et avant d'effectuer des réglages ou des réparations. Un démarrage accidentel peut provoquer des blessures.

AVIS : ces ponceuses ne doivent pas être utilisées pour des travaux sur cloisons sèches.

AVIS : éviter de surcharger la ponceuse. Toute surcharge aura pour résultat de diminuer la vitesse et la qualité du fini du travail. L'appareil peut aussi chauffer. Dans cette éventualité, faire fonctionner la ponceuse à vide une minute ou deux.

AVIS : si le cordon est enroulé autour de l'appareil après usage, ne pas le serrer pour éviter de tordre le protecteur de cordon (G). Cela permet d'éviter d'endommager le cordon prématurément.

Pour utiliser la ponceuse, la saisir comme illustré en Figure 6A ou 6B et la mettre en marche. Déplacer la ponceuse par larges mouvements de balayage sur la surface à poncer, en la laissant effectuer le travail.

Le fait d'appuyer sur l'appareil pendant le ponçage ralentit le rendement et produit une surface de qualité moindre. Vérifier souvent les progrès du travail, cette ponceuse est capable de poncer le matériau rapidement, surtout avec du papier à gros grains.

L'action orbiculaire aléatoire de la ponceuse permet de poncer dans le sens du grain ou à n'importe quel angle pour la plupart des travaux de ponçage. Pour le meilleur fini possible, commencer avec un papier abrasif à gros grains puis passer graduellement à du papier de plus en plus fin. Passer l'aspirateur et nettoyer la surface avec un tampon gras entre chaque étape. Cette ponceuse a été conçue pour poncer dans les endroits étroits ou difficiles d'accès. Sa petite taille et son poids léger la rendent idéale pour les travaux en hauteur.

La vitesse à laquelle le sac à poussières se remplira dépendra du type de matériau poncé et de la grosseur de grain du papier. Pour des résultats optimum, vider le sac à poussières fréquemment. Lors du ponçage de surfaces peintes, (voir les précautions additionnelles suivantes relatives au ponçage de la peinture), il se peut que le papier abrasif s'entarte de peinture. Un pistolet à air chaud convient mieux pour retirer la peinture avant le ponçage. SUIVRE TOUTES LES DIRECTIVES DE SÉCURITÉ INCLUES DANS LE MANUEL DU PISTOLET À AIR CHAUD.

REMARQUE (DWE6420 SEULEMENT) : Retirer rapidement tout disque abrasif PSA (auto-adhésif) après toute utilisation. Le papier PSA, si laissé sur le disque après usage, est parfois difficile à retirer. Pour faciliter le retrait de papier PSA usagé, poncer quelques minutes pour ramollir l'adhésif avant de changer le disque.

Mesures de précaution concernant le ponçage de peinture

- Le ponçage de peintures à base de plomb n'est PAS RECOMMANDÉ puisqu'il est trop difficile de maîtriser la poussière contaminée. Les enfants et les femmes enceintes courent le plus grand risque d'intoxication par le plomb.
- Puisqu'il est difficile de savoir, sans effectuer une analyse chimique, si une peinture contient du plomb, on recommande de suivre les mesures de précaution décrites ci après :

SÉCURITÉ PERSONNELLE

- S'assurer que les enfants et les femme enceintes n'entrent pas dans l'aire de travail avant qu'elle n'ait été nettoyée à fond.
- Toute personne qui entre dans l'aire de travail doit porter un masque anti-poussière ou un appareil respiratoire; le filtre doit être remplacé chaque jour ou lorsque la respiration devient difficile. Se renseigner auprès de son quincaillier local pour obtenir la liste des masques anti-poussières approuvés par le NIOSH.
- NE PAS MANGER, BOIRE OU FUMER sur les lieux de travail pour prévenir l'ingestion de particules de peinture contaminées. Il est recommandé aux ouvriers de se laver et nettoyer AVANT de manger, boire ou fumer. Ne pas laisser sur les lieux de travail, là où la poussière pourrait s'y déposer, toute nourriture, boisson, cigarette ou autre produit de consommation.

RESPECT DE L'ENVIRONNEMENT

- Enlever la peinture de manière à réduire au minimum la quantité de poussière générée.
- Sceller les zones où on enlève la peinture au moyen de grandes feuilles de plastique d'une épaisseur de 4 mils.
- Effectuer le ponçage de manière à éviter autant que possible de traîner de la poussière à l'extérieur de l'aire de travail.

ENTRETIEN ET RANGEMENT

- Passer quotidiennement l'aspirateur sur les lieux de travail et les nettoyer soigneusement pendant toute la durée du projet de ponçage. Changer fréquemment les filtres d'aspirateur.
- Recueillir toute toile de protection plastifiée utilisée et s'en défaire avec toute particule de poussière ou autre débris à éliminer. Les placer dans un contenant pour déchets et s'en défaire suivant la procédure normale d'élimination des ordures. Pendant le nettoyage, maintenir éloigné de la zone immédiate de travail les enfants ou les femmes enceintes.
- Nettoyer soigneusement jouet, meuble lavable ou tout ustensile utilisé par les enfants avant toute nouvelle réutilisation.

MAINTENANCE

⚠AVERTISSEMENT : *pour réduire le risque de blessures, éteindre l'appareil et le débrancher avant d'installer ou de retirer tout accessoire et avant d'effectuer des réglages ou des réparations. Un démarrage accidentel peut provoquer des blessures.*

Remplacement du tampon ponceur et de la courroie (Fig. 5)

Cette ponceuse est équipée d'une courroie remplaçable (L) située entre le tampon (F) et le corps de la ponceuse (I). Elle a été conçue pour contrôler la vitesse du tampon lorsque l'appareil n'est pas en contact avec une surface. Cette courroie et le tampon ponceur (F) ont été conçus comme des objets périssables et doivent être remplacés occasionnellement. Le tampon ponceur doit être remplacé lorsqu'il présente des signes évidents d'usure. Le remplacement de la courroie est nécessaire chaque fois que la vitesse du tampon augmente dramatiquement lorsque l'appareil perd le contact avec la surface de travail. Ces pièces sont vendues séparément chez votre distributeur local ou dans les centres de réparation agréés DEWALT.

- Tout en maintenant la plaque fermement, retirer les quatre vis (N) dessous le tampon.
- Retirez le tampon (F).
- Remplacez la courroie (L) usée ou endommagée en la faisant passer autour de la vis à épaulement (J) et du dispositif de retenue de roulement (K), comme illustré en figure 5.
- Réinstallez le tampon (remplacez-le le cas échéant). Réinsérez les quatre vis (N). Attention à ne pas trop serrer les vis.

Nettoyage

⚠AVERTISSEMENT : *enlever les saletés et la poussière hors des événements au moyen d'air comprimé propre et sec, au moins une fois par semaine. Pour minimiser le risque de blessure aux yeux, toujours porter une protection oculaire conforme à la norme ANSI Z87.1 lors du nettoyage.*

⚠AVERTISSEMENT : *ne jamais utiliser de solvants ni d'autres produits chimiques puissants pour nettoyer les pièces non métalliques de l'outil. Ces produits chimiques peuvent affaiblir les matériaux de plastique utilisés dans ces pièces. Utiliser un chiffon humecté uniquement d'eau et de savon doux. Ne jamais laisser de liquide pénétrer dans l'outil et n'immerger aucune partie de l'outil dans un liquide.*

Accessoires

⚠AVERTISSEMENT : *puisque les accessoires autres que ceux offerts par DEWALT n'ont pas été testés avec ce produit, leur utilisation pourrait s'avérer dangereuse. Pour réduire le risque de blessures, utiliser exclusivement les accessoires DEWALT recommandés avec le présent produit.*

Les accessoires recommandés pour cet outil sont vendus séparément au centre de service de votre région. Pour obtenir de l'aide concernant l'achat d'un accessoire, communiquer avec

DEWALT Industrial Tool Co., 701 East Joppa Road, Towson, MD 21286 aux États-Unis; composer le 1 800 433-9258 (1 800 4-DEWALT) ou visiter notre site Web : www.dewalt.com.

Lubrification

Des roulements auto-lubrifiants sont utilisés dans cet appareil et aucune lubrification périodique n’est nécessaire. Il est cependant recommandé d’amener ou d’envoyer l’appareil une fois par an dans un centre de service autorisé pour y être soigneusement nettoyé et inspecté.

Réparations

Pour assurer la SÉCURITÉ et la FIABILITÉ du produit, les réparations, l’entretien et les réglages doivent être réalisés (cela comprend l’inspection et le remplacement du balai) par un centre de réparation en usine DEWALT, un centre de réparation agréé DEWALT ou par d’autres techniciens qualifiés. Toujours utiliser des pièces de rechange identiques.

Registre en ligne

Merci pour votre achat. Enregistrez dès maintenant votre produit:

- RÉPARATIONS SOUS GARANTIE:** cette carte remplie vous permettra de vous prévaloir du service de réparations sous garantie de façon plus efficace dans le cas d’un problème avec le produit.
- CONFIRMATION DE PROPRIÉTÉ:** en cas de perte provoquée par un incendie, une inondation ou un vol, cette preuve de propriété vous servira de preuve auprès de votre compagnie d’assurances.
- SÉCURITÉ:** l’enregistrement de votre produit nous permettra de communiquer avec vous dans l’éventualité peu probable de l’envoi d’un avis de sécurité régi par la loi fédérale américaine de la protection des consommateurs.

Registre en ligne à www.dewalt.com/register.

Garantie limitée de trois ans

DEWALT réparera, sans frais, tout produit défectueux causé par un défaut de matériel ou de fabrication pour une période de trois ans à compter de la date d’achat. La présente garantie ne couvre pas les pièces dont la défectuosité a été causée par une usure normale ou l’usage abusif de l’outil. Pour obtenir de plus amples renseignements sur les pièces ou les réparations couvertes par la présente garantie, visiter le site www.dewalt.com ou composer le 1 800 433-9258 (1 800 4-DEWALT). Cette garantie ne s’applique pas aux accessoires et ne vise pas les dommages causés par des réparations effectuées par un tiers. Cette garantie confère des droits légaux particuliers à l’acheteur, mais celui-ci pourrait aussi bénéficier d’autres droits variant d’un état ou d’une province à l’autre.

En plus de la présente garantie, les outils DEWALT sont couverts par notre :

CONTRAT D’ENTRETIEN GRATUIT D’UN AN

DEWALT entretiendra l’outil et remplacera les pièces usées au cours d’une utilisation normale et ce, gratuitement, pendant une période d’un an à compter de la date d’achat.

GARANTIE DE REMBOURSEMENT DE 90 JOURS

Si l’acheteur n’est pas entièrement satisfait, pour quelque raison que ce soit, du rendement de l’outil électrique, du laser ou de la cloueuse DEWALT, celui-ci peut le retourner, accompagné d’un reçu, dans les 90 jours à compter de la date d’achat pour obtenir un remboursement intégral, sans aucun problème.

AMÉRIQUE LATINE : cette garantie ne s’applique aux produits vendus en Amérique latine. Pour ceux-ci, veuillez consulter les informations relatives à la garantie spécifique présente dans l’emballage, appeler l’entreprise locale ou consulter le site Web pour les informations relatives à cette garantie.

REMPACEMENT GRATUIT DES ÉTIQUETTES D’AVERTISSEMENT : si les étiquettes d’avertissement deviennent illisibles ou sont manquantes, composer le 1 800 433-9258 (1 800 4-DEWALT) pour en obtenir le remplacement gratuit.



⚠ ADVERTENCIA PARA DISMINUIR EL RIESGO DE LESIONES, EL USUARIO DEBERÁ LEER EL MANUAL DE INSTRUCCIONES. SIEMPRE SE DEBERÁ LLEVAR LA PROTECCIÓN APROPIADA PARA LA VISTA Y PARA LAS VÍAS RESPIRATORIAS.

⚠ AVERTISSEMENT AFIN DE MINIMISER LES RISQUES DE BLESSURES, L'UTILISATEUR DOIT TOUJOURS LIRE LE GUIDE D'UTILISATION. IL FAUT TOUJOURS PORTER DE L'EQUIPEMENT DE PROTECTION OCULAIRE ET RESPIRATOIRE APPROPRIÉ.

⚠ ADVERTENCIA PARA DISMINUIR EL RIESGO DE LESIONES, EL USUARIO DEBERÁ LEER EL MANUAL DE INSTRUCCIONES. SIEMPRE SE DEBERÁ LLEVAR LA PROTECCIÓN APROPIADA PARA LA VISTA Y PARA LAS VÍAS RESPIRATORIAS.

⚠ AVERTISSEMENT AFIN DE MINIMISER LES RISQUES DE BLESSURES, L'UTILISATEUR DOIT TOUJOURS LIRE LE GUIDE D'UTILISATION. IL FAUT TOUJOURS PORTER DE L'EQUIPEMENT DE PROTECTION OCULAIRE ET RESPIRATOIRE APPROPRIÉ.

Definiciones: Normas de seguridad

Las siguientes definiciones describen el nivel de gravedad de cada palabra de señal. Lea el manual y preste atención a estos símbolos.

⚠ PELIGRO: indica una situación de peligro inminente que, si no se evita, provocará **la muerte o lesiones graves**.

⚠ ADVERTENCIA: indica una situación de peligro potencial que, si no se evita, **podría** provocar **la muerte o lesiones graves**.

⚠ ATENCIÓN: indica una situación de peligro potencial que, si no se evita, **posiblemente** provocaría **lesiones leves o moderadas**.

AVISO: se refiere a una práctica **no relacionada a lesiones corporales** que de no evitarse **puede** resultar en **daños a la propiedad**.

SI TIENE ALGUNA DUDA O ALGÚN COMENTARIO SOBRE ÉSTA U OTRA HERRAMIENTA DEWALT, LLÁMENOS AL NÚMERO GRATUITO: **1-800-4-DEWALT (1-800-433-9258)**.

⚠ ADVERTENCIA: Para reducir el riesgo de lesiones, lea el manual de instrucciones.

Advertencias generales de seguridad para herramientas eléctricas

⚠ ADVERTENCIA! Lea todas las advertencias de seguridad e instrucciones. El incumplimiento de las advertencias e instrucciones puede provocar descargas eléctricas, incendios o lesiones graves.

CONSERVE TODAS LAS ADVERTENCIAS E INSTRUCCIONES PARA FUTURAS CONSULTAS

El término “herramienta eléctrica” incluido en las advertencias hace referencia a las herramientas eléctricas operadas con corriente (con cable eléctrico) o a las herramientas eléctricas operadas con baterías (inalámbricas).

1) SEGURIDAD EN EL ÁREA DE TRABAJO

- Mantenga el área de trabajo limpia y bien iluminada.** Las áreas abarrotadas y oscuras propician accidentes.
- No opere las herramientas eléctricas en atmósferas explosivas, como ambientes donde haya polvo, gases o líquidos inflamables.** Las herramientas eléctricas originan chispas que pueden encender el polvo o los vapores.
- Mantenga alejados a los niños y a los espectadores de la herramienta eléctrica en funcionamiento.** Las distracciones pueden provocar la pérdida de control.

2) SEGURIDAD ELÉCTRICA

- Los enchufes de la herramienta eléctrica deben adaptarse al tomacorriente. Nunca modifique el enchufe de ninguna manera. No utilice ningún enchufe adaptador con herramientas eléctricas con conexión a tierra.** Los enchufes no modificados y que se adaptan a los tomacorrientes reducirán el riesgo de descarga eléctrica.
- Evite el contacto corporal con superficies con descargas a tierra como, por ejemplo, tuberías, radiadores, cocinas eléctricas y refrigeradores.** Existe mayor riesgo de descarga eléctrica si su cuerpo está puesto a tierra.
- No exponga las herramientas eléctricas a la lluvia o a condiciones de humedad.** Si entra agua a una herramienta eléctrica, aumentará el riesgo de descarga eléctrica.
- No maltrate el cable. Nunca utilice el cable para transportar, tirar o desenchufar la herramienta eléctrica. Mantenga el cable alejado del calor, el aceite, los bordes filosos y las piezas móviles.** Los cables dañados o enredados aumentan el riesgo de descarga eléctrica.

- Al operar una herramienta eléctrica en el exterior, utilice un cable prolongador adecuado para tal uso.** Utilice un cable adecuado para uso en exteriores a fin de reducir el riesgo de descarga eléctrica.
- Si el uso de una herramienta eléctrica en un lugar húmedo es imposible de evitar, utilice un suministro protegido con un interruptor de circuito por falla a tierra (GFCI).** El uso de un GFCI reduce el riesgo de descargas eléctricas.

3) SEGURIDAD PERSONAL

- Permanezca alerta, controle lo que está haciendo y utilice el sentido común cuando emplee una herramienta eléctrica. No utilice una herramienta eléctrica si está cansado o bajo el efecto de drogas, alcohol o medicamentos.** Un momento de descuido mientras se opera una herramienta eléctrica puede provocar lesiones personales graves.
- Utilice equipos de protección personal. Siempre utilice protección para los ojos.** En las condiciones adecuadas, el uso de equipos de protección, como máscaras para polvo, calzado de seguridad antideslizante, cascos o protección auditiva, reducirá las lesiones personales.
- Evite el encendido por accidente. Asegúrese de que el interruptor esté en la posición de apagado antes de conectarlo a la fuente de energía o paquete de baterías, o antes de levantar o transportar la herramienta.** Transportar herramientas eléctricas con el dedo apoyado en el interruptor o enchufar herramientas eléctricas con el interruptor en la posición de encendido puede propiciar accidentes.
- Retire la clavija de ajuste o la llave de tuercas antes de encender la herramienta eléctrica.** Una llave de tuercas o una clavija de ajuste que quede conectada a una pieza giratoria de la herramienta eléctrica puede provocar lesiones personales.
- No se estire. Conserve el equilibrio y párese adecuadamente en todo momento.** Esto permite un mejor control de la herramienta eléctrica en situaciones inesperadas.
- Use la vestimenta adecuada. No use ropas holgadas ni joyas. Mantenga el cabello, la ropa y los guantes alejados de las piezas en movimiento.** Las ropas holgadas, las joyas o el cabello largo pueden quedar atrapados en las piezas en movimiento.
- Si se suministran dispositivos para la conexión de accesorios con fines de recolección y extracción de polvo, asegúrese de que estén conectados y que se utilicen correctamente.** El uso de dispositivos de recolección de polvo puede reducir los peligros relacionados con el polvo.

4) USO Y MANTENIMIENTO DE LA HERRAMIENTA ELÉCTRICA

- No fuerce la herramienta eléctrica. Utilice la herramienta eléctrica correcta para el trabajo que realizará.** Si se la utiliza a la velocidad para la que fue diseñada, la herramienta eléctrica correcta permite trabajar mejor y de manera más segura.
- No utilice la herramienta eléctrica si no puede encenderla o apagarla con el interruptor.** Toda herramienta eléctrica que no pueda ser controlada mediante el interruptor es peligrosa y debe repararse.
- Desconecte el enchufe de la fuente de energía o el paquete de baterías de la herramienta eléctrica antes de realizar ajustes, cambiar accesorios o almacenar la herramienta eléctrica.** Estas medidas de seguridad preventivas reducen el riesgo de encender la herramienta eléctrica en forma accidental.
- Guarde la herramienta eléctrica que no esté en uso fuera del alcance de los niños y no permita que otras personas no familiarizadas con ella o con estas instrucciones operen la herramienta.** Las herramientas eléctricas son peligrosas si son operadas por usuarios no capacitados.
- Realice el mantenimiento de las herramientas eléctricas. Revise que no haya piezas en movimiento mal alineadas o trabadas, piezas rotas o cualquier otra situación que pueda afectar el funcionamiento de la herramienta eléctrica. Si encuentra daños, haga reparar la herramienta eléctrica antes de utilizarla.** Se producen muchos accidentes a causa de las herramientas eléctricas que carecen de un mantenimiento adecuado.
- Mantenga las herramientas de corte afiladas y limpias.** Las herramientas de corte con mantenimiento adecuado y con los bordes de corte afilados son menos propensas a trabarse y son más fáciles de controlar.
- Utilice la herramienta eléctrica, los accesorios y las brocas de la herramienta, etc. de acuerdo con estas instrucciones y teniendo en cuenta las condiciones de trabajo y el trabajo que debe realizarse.** El uso de la herramienta eléctrica para operaciones diferentes de aquellas para las que fue diseñada podría originar una situación peligrosa.

5) MANTENIMIENTO

- Solicite a una persona calificada en reparaciones que realice el mantenimiento de su herramienta eléctrica y que sólo utilice piezas de repuesto idénticas.** Esto garantizará la seguridad de la herramienta eléctrica.

Instrucciones de seguridad adicionales para lijadoras

- Los accesorios deben estar clasificados por lo menos para la velocidad recomendada en la etiqueta de advertencia de la herramienta.** Si funcionan a velocidades superiores a la prevista, los discos y otros accesorios pueden deshacerse y provocar lesiones. Las especificaciones de los accesorios deben encontrarse a una velocidad de disco superior a la mínima registrada en la placa nominal de la herramienta.
- Sujete la herramienta por sus empuñaduras aisladas si lleva a cabo una operación en que la herramienta pueda tocar cables eléctricos ocultos o su propio cable.** El contacto con un cable activo provocará que las piezas metálicas de la herramienta se carguen y que el operador reciba una descarga eléctrica.
- Al lijar, lleve siempre protección ocular y respiratoria.**
- No se recomienda el lijado de pintura con base de plomo.** Ver *Precauciones para el lijado de pintura* para mayor información antes de lijar pintura.
- No haga funcionar la unidad sin la bolsa de recolección de polvo.**
- Limpie su herramienta periódicamente.**
- Vacíe la bolsa de recolección de polvo con frecuencia, especialmente cuando lije superficies recubiertas con resinas como poliuretano, esmalte, laca, etc.** Disponga de las partículas de polvo recubiertas según las pautas del fabricante del acabado o póngalas en un contenedor de metal con una tapa de metal hermética. Retire las partículas de polvo recubiertas del local a diario. La acumulación de partículas de polvo provenientes del lijado fino, puede encenderse y causar incendios.
- Reemplace una correa desgastada o dañada cuando ocasione altas rpm en la herramienta. Las rpm altas ocasionadas por una correa desgastada pueden resultar en la separación de la almohadilla de lijado de la lijadora, lo cual podría provocar lesiones corporales. Para instrucciones sobre el reemplazo de la correa, consulte la sección **Reemplazo de la almohadilla de lijado** y la correa bajo **Mantenimiento**.
- Los orificios de ventilación suelen cubrir piezas en movimiento, por lo que también se deben evitar.** Las piezas en movimiento pueden atrapar prendas de vestir sueltas, joyas o el cabello largo.
- El cable de extensión deben ser de un calibre apropiado para su seguridad.** Mientras menor sea el calibre del hilo, mayor la capacidad del cable. Es decir, un hilo calibre 16 tiene mayor capacidad que uno de 18. Un cable de un calibre insuficiente causará una caída en la tensión de la línea dando por resultado una pérdida de energía y sobrecalentamiento. Cuando se utilice más de un alargador para completar el largo total, asegúrese que los hilos de cada alargador tengan el calibre mínimo. La tabla siguiente muestra el tamaño correcto a utilizar, dependiendo de la longitud del cable y del amperaje nominal de la placa de identificación. Si tiene dudas sobre cuál calibre usar, use un calibre mayor. Cuanto más pequeño sea el número del calibre, más resistente será el cable.

Calibre mínimo para cables de alimentación						
Amperaje		Volttios	Largo total del cordón en metros (pies)			
		120 V	7,6 (25)	15,2 (50)	30,5 (100)	45,7 (150)
		240 V	15,2 (50)	30,5 (100)	61,0 (200)	91,4 (300)
Más de	No más de	AWG				
0	6	18	16	16	14	
6	10	18	16	14	12	
10	12	16	16	14	12	
12	16	14	12	No recomendado		

⚠ADVERTENCIA: Use **SIEMPRE** lentes de seguridad. Los anteojos de diario NO SON lentes de seguridad. Utilice además una cubrebocas o mascarilla antipolvo si la operación de corte genera demasiado polvo. SIEMPRE LLEVE EQUIPO DE SEGURIDAD CERTIFICADO:

- Protección ocular ANSI Z87.1 (CAN/CSA Z94.3),
- Protección auditiva ANSI S12.6 (S3.19),
- Protección respiratoria NIOSH/OSHA/MSHA.

⚠ADVERTENCIA: Algunas partículas de polvo generadas al lijar, serrar, esmerilar y taladrar con herramientas eléctricas, así como al realizar otras actividades de construcción, contienen químicos que el Estado de California sabe que pueden producir cáncer, defectos congénitos u otras afecciones reproductivas. Ejemplos de estos químicos son:

- plomo de algunas pinturas en base a plomo,
- polvo de sílice proveniente de ladrillos y cemento y otros productos de albañilería, y
- arsénico y cromo provenientes de madera tratada químicamente.

Su riesgo de exposición a estos químicos varía, dependiendo de la frecuencia con la cual realiza usted este tipo de trabajo. Para reducir su exposición a estas sustancias químicas: trabaje en una zona bien ventilada y llevando equipos de seguridad aprobados, como mascarillas antipolvo especialmente diseñadas para filtrar partículas microscópicas.

- Evite el contacto prolongado con polvo generado por el lijado, aserrado, pulido, taladrado y otras actividades de construcción. Vista ropas protectoras y lave las áreas de la piel expuestas con agua y jabón.** Si permite que el polvo se introduzca en la boca u ojos o quede sobre la piel, puede favorecer la absorción de productos químicos peligrosos.

⚠ADVERTENCIA: La utilización de esta herramienta puede generar polvo o dispersarlo, lo que podría causar daños graves y permanentes al sistema respiratorio, así como otras lesiones. Siempre use protección respiratoria aprobada por NIOSH (Instituto Nacional de Seguridad y Salud en el Trabajo) u OSHA (Administración de Seguridad y Salud en el Trabajo) apropiada para la exposición al polvo. Dirija las partículas en dirección contraria a la cara y el cuerpo.

⚠ADVERTENCIA: Siempre lleve la debida protección auditiva personal en conformidad con ANSI S12.6 (S3.19) durante el uso de esta herramienta. Bajo algunas condiciones y duraciones de uso, el ruido producido por este producto puede contribuir a la pérdida auditiva.

- La etiqueta de su herramienta puede incluir los siguientes símbolos. A continuación se indican los símbolos y sus definiciones:

V.....voltios	A.....amperios
Hz.....hertz	W.....vatios
minminutos	~ o AC.....corriente alterna
⎓ o DC....corriente directa	⎓ o AC/DCcorriente alterna o directa
ⓘConstrucción de Clase I (tierra)	<i>n</i> o.....velocidad sin carga
ⓂConstrucción de Clase II (doble aislamiento)	<i>n</i>velocidad nominal
.../minpor minuto	⊕terminal de conexión a tierra
IPM.....impactos por minuto	⚠símbolo de advertencia de seguridad
sfpm.....pies de superficie por minuto	BPM.....golpes por minuto
SPM.....pasadas por minuto	RPM.....revoluciones por minuto

Motor

Asegúrese de que la fuente de energía concuerde con lo que se indica en la placa. Un descenso en el voltaje de más del 10% producirá una pérdida de potencia y sobrecalentamiento. Todas las herramientas DEWALT son probadas en fábrica; si esta herramienta no funciona, verifique el suministro eléctrico.

COMPONENTES (Fig. 1)

⚠ADVERTENCIA: Nunca modifique la herramienta eléctrica, ni tampoco ninguna de sus piezas.

Podría producir lesiones corporales o daños.

- | | |
|--|-------------------------------------|
| A. Conmutador de encendido y apagado | D. Bolsa para polvo |
| B. Cuadrante de control de velocidad (DWE6423) | E. Collarín de la bolsa para polvo |
| C. Orificio de salida de extracción de polvo | F. Almohadilla de lijado |
| | G. Dispositivo de alivio de tensión |

MONTAJE Y AJUSTES

⚠ADVERTENCIA: Para reducir el riesgo de lesiones personales graves, apague la herramienta y desconéctela de la fuente de alimentación antes de instalar y retirar accesorios, ajustar o cambiar configuraciones o realizar reparaciones. Un arranque accidental podría causar lesiones.

Fijación de los discos de lijado (Fig. 2)

Su lijadora está diseñada para usar discos de lijado (H) de 125 mm (5") con un patrón de extracción de polvo de 8 huecos. Los discos de lijado para el DWE6421 y DWE6423 se sujetan mediante gancho y bucle. Los discos de lijado para el DWE6420 se adhieren usando un adhesivo a presión (PSA).

	PAPELES DE LIJA REQUERIDOS		
Modelo de lijadora	Tamaño de disco	Método de adhesión	Patrón de huecos
DWE6420	125 mm (5")	PSA	8 Huecos
DWE6421	125 mm (5")	Gancho y bucle	8 Huecos
DWE6423	125 mm (5")	Gancho y bucle	8 Huecos

FIJACIÓN DEL DISCO DE LIJADO EN LA ALMOHADILLA DE LIJADO (FIG. 2)

- Ponga la lijadora boca abajo para que la almohadilla de lijado (F) quede hacia arriba.
- Limpie el polvo de la cara de la almohadilla de lijado (F).
- Sujete la almohadilla con una mano para que no gire.
- Con la otra mano, alinee los huecos y ponga el disco (H) directamente sobre la almohadilla.

NOTA: Estas lijadoras no deben utilizarse en aplicaciones de paneles en seco. El utilizar una pantalla de lijado (por ejemplo una pantalla utilizada para lijar paneles en seco) directamente sobre la almohadilla de gancho y lazo dañará los ganchos de la almohadilla. Los ganchos de la almohadilla se desgastarán muy rápido si se dejan en contacto con la superficie de trabajo con la herramienta funcionando.

Conmutador (Fig. 3)

Para encender la unidad, presione el conmutador protegido contra polvo (A) por el lado con el símbolo “I”. Para apagarla, presione el lado del conmutador con el símbolo “O”.

Cuadrante de control de velocidad (Fig. 1)

DWE6423

El cuadrante de control de velocidad (B), que aparece en la Figura 1, le permite aumentar o disminuir la velocidad de 8,000-12,000 órbitas por minuto. El ajuste de velocidad óptimo para cada aplicación depende en gran medida de su preferencia personal. En general, es preferible un valor alto en materiales duros y un valor menor en los blandos. La velocidad de eliminación de material aumenta con la velocidad.

Extracción de polvo (Fig. 4, 5)

La lijadora tiene dos métodos de extracción de polvo: un orificio de salida incorporado (C) que permite que conectar la bolsa para polvo suministrada (D) o un sistema de aspiradora de taller; y una faldilla antipolvo (M, Fig. 5). El orificio de salida incorporado utiliza la conexión Air-lock de DEWALT, haciendo que sea compatible con el extractor de polvo DEWALT.

PARA FIJAR LA BOLSA PARA POLVO

- Mientras sujeta la lijadora, coloque el collarín de la bolsa para polvo (E) en el orificio de salida (C) como se muestra en la Figura 4.
- Gire el collarín (E) en sentido horario para bloquear la bolsa para polvo (D) en su sitio.

PARA VACIAR LA BOLSA PARA POLVO

- Mientras sujeta la lijadora, gire el collarín (E) en sentido antihorario para desbloquear la bolsa para polvo (D).
- Saque la bolsa para polvo de la lijadora y agítela suavemente o dele golpecitos para vaciarla.

- Vuelva a poner la bolsa para polvo en el orificio de salida y bloquéela en su sitio girando el collarín en sentido horario.

Quizás observe que todo el polvo no saldrá de la bolsa. Esto no afectará el desempeño del lijado pero sí la eficacia de recolección de polvo de la lijadora. Para recuperar esta eficacia, presione el muelle del interior de la bolsa cuando la esté vaciando y golpéela contra el lado del cubo de la basura o el recipiente para el polvo.

⚠ATENCIÓN: *Nunca opere estas herramientas si no tiene el colector de polvo instalado.*

La expulsión de polvo de lijado podría provocar un riesgo para la respiración.

OPERACIÓN (FIG. 6)

⚠ADVERTENCIA: Para reducir el riesgo de lesiones personales graves, apague la herramienta y desconéctela de la fuente de alimentación antes de instalar y retirar accesorios, ajustar o cambiar configuraciones o realizar reparaciones. Un arranque accidental podría causar lesiones.

AVISO: Estas lijadoras no deben utilizarse en aplicaciones de paneles en seco.

AVISO: Evite sobrecargar la lijadora. La sobrecarga reducirá considerablemente la velocidad y la calidad de acabado del trabajo. Además, podría sobrecalentarse la herramienta. En tal caso, haga funcionar la lijadora sin carga durante uno o dos minutos.

AVISO: Si enrolla el cable alrededor de la herramienta al guardarla, deje un buen lazo de cable suelto, para que la tensión no deforme el dispositivo de alivio de tensión (G). Así se evita que el cable falle prematuramente.

Para operar su lijadora, tómela como aparece en las Figuras 6A o 6B y gírela para encenderla. Mueva la unidad con desplazamientos de barrido amplios a lo largo de la superficie a lijar, dejando que la lijadora haga el trabajo.

Apretar hacia abajo la herramienta mientras se lija disminuye de hecho la velocidad de eliminación y genera una superficie de menor calidad. Verifique los resultados a menudo: esta lijadora puede eliminar material muy rápidamente, especialmente si utiliza papel grueso.

La acción orbital aleatoria de la lijadora le permitirá lijar en la dirección del grano, o en cualquier ángulo respecto a él, en la mayoría de los trabajos de lijado. Para que el acabado sea el mejor posible, empiece con papel de lija grueso y cambie progresivamente a otros cada vez más finos. Pase una aspiradora por la superficie y límpiela con un trapo antiestático entre pasada y pasada. La lijadora ha sido diseñada para lijar zonas pequeñas o de difícil acceso. Su reducido tamaño y su poco peso la hacen ideal para trabajos en altura.

La velocidad a la cual se llena la bolsa de colección de polvo variará de acuerdo al tipo de material a lijar y el grosor del papel de lija. Para conseguir los mejores resultados, limpie la bolsa con frecuencia. Al lijar superficies pintadas (consulte las precauciones adicionales siguientes al respecto) puede suceder que el papel de lija se cargue y tape con la pintura. Es mucho mejor usar una pistola térmica para eliminar la pintura antes de lijar. SIGA TODAS LAS INSTRUCCIONES DE SEGURIDAD DEL MANUAL DE INSTRUCCIONES DE LA PISTOLA TÉRMICA.

NOTA (SÓLO DWE6420): Si utiliza discos de lijado PSA, retire pronto el disco al terminar la operación. Con el papel PSA, si el disco se deja puesto durante el almacenamiento de la herramienta, a veces se hace difícil de retirar. Para facilitar la retirada del papel de PSA viejo, lije unos minutos para ablandar la capa adhesiva antes de cambiar el disco.

Precauciones a tomar cuando lije pintura

- El lijado de pinturas con base de plomo NO SE RECOMIENDA debido a la dificultad de control del polvo contaminado. El envenenamiento por plomo es más peligroso para niños y mujeres embarazadas.
- Ya que es difícil identificar si una pintura contiene plomo o no, sin antes hacer un análisis químico, le recomendamos que se tomen las siguientes precauciones cuando lije cualquier pintura:

SEGURIDAD PERSONAL

- Ningún niño o mujer embarazada debería entrar al área de trabajo donde se está lijando la pintura hasta que se termine de limpiar el área.
- Toda persona que entre al área de trabajo debe usar una máscara antipolvo o respirador. El filtro debería ser reemplazado a diario o cuando el usuario tenga dificultades para respirar. Visite su ferretería local para obtener una máscara antipolvo apropiada, aprobada por NIOSH.
- NO se debe COMER, BEBER ni FUMAR en la zona de trabajo, para evitar la ingestión de partículas de pintura contaminadas. Los trabajadores deberán lavarse bien ANTES de comer, beber o fumar. No debe dejarse comida, bebida ni tabaco en la zona de trabajo, donde el polvo se podría posar sobre ellos.

SEGURIDAD MEDIOAMBIENTAL

- La pintura debe ser quitada de tal manera que se minimice la cantidad de polvo generada.
- Aquellas áreas en las que se está quitando pintura deberían ser selladas con láminas de plástico de 4 mm de grosor.
- El lijado debería hacerse de modo que se reduzca la cantidad de polvo de pintura que se lleve afuera.

LIMPIEZA Y ELIMINACIÓN

- Todas las superficies de la zona de trabajo deben de ser aspiradas y limpiadas en profundidad todos los días mientras dure el proyecto de lijado. Las bolsas de filtrado de la aspiradora se deben cambiar con frecuencia.
- Disponga de cubiertas plásticas junto con cualquier astilla de polvo u otro desecho del proceso de lijado. Deberán colocarse en un recipiente para desechos sellado y eliminarse de acuerdo con los procedimientos de eliminación de la basura normal. Durante la limpieza, mantenga alejados a niños y mujeres embarazadas de la zona de trabajo.
- Todos los juguetes, muebles lavables y utensilios usados por niños deberán lavarse a fondo antes de volverlos a usar.

MANTENIMIENTO

⚠ADVERTENCIA: Para reducir el riesgo de lesiones personales graves, apague la herramienta y desconéctela de la fuente de alimentación antes de instalar y retirar accesorios, ajustar o cambiar configuraciones o realizar reparaciones. Un arranque accidental podría causar lesiones.

Reemplazo de la almohadilla de lijado y la correa (Fig. 5)

La lijadora está equipada con una correa reemplazable (L) que está ubicada entre la almohadilla (F) y el cuerpo de la lijadora (I). Está diseñada para controlar la velocidad de la almohadilla mientras la herramienta está separada de la superficie de trabajo. La correa y la almohadilla de lijado (F) están diseñadas como piezas consumibles y ocasionalmente tendrán que ser reemplazadas. La almohadilla de lijado debe ser reemplazada cuando sean evidentes las señales de desgaste. El reemplazo de la correa es necesario cuando aumenta la velocidad de la almohadilla de forma muy drástica cuando se levanta la unidad de la superficie de trabajo. Estas piezas pueden obtenerse por un costo adicional en su distribuidor local o centro de servicio autorizado DEWALT.

- Sujetando la placa firmemente, saque los cuatro tornillos (N) de la parte inferior de la almohadilla.
- Saque la almohadilla (F).
- Cambie la correa desgastada o dañada (L) envolviéndola alrededor del tornillo de hombro (J) y el soporte de fijación de cojinete (K) como se muestra en la Figura 5.
- Vuelva a instalar la almohadilla (cámbiela por una almohadilla nueva si es necesario). Vuelva a poner los cuatro tornillos (N). Tenga cuidado de no apretar los tornillos demasiado.

Limpieza

⚠ADVERTENCIA: *Sople la suciedad y el polvo de todos los conductos de ventilación con aire seco, al menos una vez por semana. Para reducir el riesgo de lesiones, utilice siempre protección para los ojos aprobada ANSI Z87.1 al realizar esta tarea.*

⚠ADVERTENCIA: *Nunca utilice solventes ni otros químicos abrasivos para limpiar las piezas no metálicas de la herramienta. Estos productos químicos pueden debilitar los materiales plásticos utilizados en estas piezas. Utilice un paño humedecido sólo con agua y jabón neutro. Nunca permita que penetre líquido dentro de la herramienta ni sumerja ninguna de las piezas en un líquido.*

Accesorios

⚠ADVERTENCIA: *Debido a que no se han probado con este producto otros accesorios que no sean los que ofrece DEWALT, el uso de dichos accesorios con esta herramienta podría ser peligroso. Para reducir el riesgo de lesiones, con este producto deben usarse sólo los accesorios recomendados por DEWALT.*

Los accesorios que se recomiendan para utilizar con la herramienta están disponibles a un costo adicional en su distribuidor local o en un centro de mantenimiento autorizado. Si necesita

ayuda para localizar algún accesorio, póngase en contacto con DEWALT Industrial Tool Co., 701 East Joppa Road, Towson, MD 21286, llame al 1-800-4-DEWALT (1-800-433-9258) o visite nuestro sitio Web: www.dewalt.com.

Lubricación

La herramienta incorpora cojinetes autolubrificantes, por lo que no requiere lubricación periódica. Sin embargo, se recomienda que una vez al año un centro de servicio proceda a una inspección y limpieza a fondo de la herramienta.

Reparaciones

Para asegurar la SEGURIDAD y la CONFIABILIDAD del producto, las reparaciones, el mantenimiento y los ajustes deben (inclusive inspección y cambio de carbones) ser realizados en un centro de mantenimiento en la fábrica DEWALT, en un centro de mantenimiento autorizado DEWALT u por otro personal de mantenimiento calificado. Utilice siempre piezas de repuesto idénticas.

PARA REPARACIÓN Y SERVICIO DE SUS HERRAMIENTAS ELÉCTRICAS, FAVOR DE DIRIGIRSE AL CENTRO DE SERVICIO MÁS CERCANO

CULIACAN, SIN

Blvd.Emiliano Zapata 5400-1 Poniente
Col. San Rafael

(667) 717 89 99

GUADALAJARA, JAL

Av. La Paz #1779 - Col. Americana Sector Juárez

(33) 3825 6978

MEXICO, D.F.

Eje Central Lázaro Cárdenas No. 18
Local D, Col. Obrera

(55) 5588 9377

MERIDA, YUC

Calle 63 #459-A - Col. Centro

(999) 928 5038

MONTERREY, N.L.

Av. Francisco I. Madero 831 Poniente - Col. Centro

(818) 375 23 13

PUEBLA, PUE

17 Norte #205 - Col. Centro

(222) 246 3714

QUERETARO, QRO

Av. San Roque 274 - Col. San Gregorio

(442) 2 17 63 14

SAN LUIS POTOSI, SLP

Av. Universidad 1525 - Col. San Luis

(444) 814 2383

TORREON, COAH

Blvd. Independencia, 96 Pte. - Col. Centro

(871) 716 5265

VERACRUZ, VER

Prolongación Díaz Mirón #4280 - Col. Remes

(229) 921 7016

VILLAHERMOSA, TAB

Constitución 516-A - Col. Centro

(993) 312 5111

PARA OTRAS LOCALIDADES:

Si se encuentra en México, por favor llame al (55) 5326 7100

**Si se encuentra en U.S., por favor llame al
1-800-433-9258 (1-800 4-DEWALT)**

Póliza de Garantía

IDENTIFICACIÓN DEL PRODUCTO:

Sello o firma del Distribuidor.

Nombre del producto: _____ Mod./Cat.: _____

Marca: _____ Núm. de serie: _____

(Datos para ser llenados por el distribuidor)

Fecha de compra y/o entrega del producto: _____

Nombre y domicilio del distribuidor donde se adquirió el producto: _____

Este producto está garantizado por un año a partir de la fecha de entrega, contra cualquier defecto en su funcionamiento, así como en materiales y mano de obra empleados para su fabricación. Nuestra garantía incluye la reparación o reposición del producto y/o componentes sin cargo alguno para el cliente, incluyendo mano de obra, así como los gastos de transportación razonablemente erogados derivados del cumplimiento de este certificado.

Para hacer efectiva esta garantía deberá presentar su herramienta y esta póliza sellada por el establecimiento comercial donde se adquirió el producto, de no contar con ésta, bastará la factura de compra.

EXCEPCIONES

Esta garantía no será válida en los siguientes casos:

- Cuando el producto se hubiese utilizado en condiciones distintas a las normales;
- Cuando el producto no hubiese sido operado de acuerdo con el instructivo de uso que se acompaña;
- Cuando el producto hubiese sido alterado o reparado por personas distintas a las enlistadas al final de este certificado.

Anexo encontrará una relación de sucursales de servicio de fábrica, centros de servicio autorizados y franquiciados en la República Mexicana, donde podrá hacer efectiva su garantía y adquirir partes, refacciones y accesorios originales.

Registro en línea

Gracias por su compra. Registre su producto ahora para:

- **SERVICIO EN GARANTÍA:** Si completa esta tarjeta, podrá obtener un servicio en garantía más eficiente, en caso de que exista un problema con su producto.
- **CONFIRMATCIÓN DE PROPIEDAD:** En caso de una pérdida que cubra el seguro, como un incendio, una inundación o un robo, el registro de propiedad servirá como comprobante de compra.
- **PARA SU SEGURIDAD:** Si registra el producto, podremos comunicarnos con usted en el caso improbable que se deba enviar una notificación de seguridad conforme a la Federal Consumer Safety Act (Ley Federal de Seguridad de Productos para el Consumidor).

Registro en línea en www.dewalt.com/register.

Garantía limitada por tres años

DEWALT reparará, sin cargo, cualquier falla que surja de defectos en el material o la fabricación del producto, por hasta tres años a contar de la fecha de compra. Esta garantía no cubre fallas de las piezas causadas por su desgaste normal o abuso a la herramienta. Para mayores detalles sobre la cobertura de la garantía e información acerca de reparaciones realizadas bajo garantía, visítenos en www.dewalt.com o diríjase al centro de servicio más cercano. Esta garantía no aplica a accesorios o a daños causados por reparaciones realizadas o intentadas por terceros. Esta garantía le otorga derechos legales específicos, además de los cuales puede tener otros dependiendo del estado o la provincia en que se encuentre.

Además de la garantía, las herramientas DEWALT están cubiertas por:

1 AÑO DE SERVICIO GRATUITO

DEWALT mantendrá la herramienta y reemplazará las piezas gastadas por su uso normal, sin cobro, en cualquier momento durante un año a contar de la fecha de compra. Los artículos gastados por la clavadora, tales como la unidad de hoja y retorno del impulsador, no están cubiertas.

GARANTÍA DE REEMBOLSO DE SU DINERO POR 90 DÍAS

Si no está completamente satisfecho con el desempeño de su máquina herramienta, láser o clavadora DEWALT, cualquiera sea el motivo, podrá devolverlo hasta 90 días de la fecha de compra con su recibo y obtener el reembolso completo de su dinero – sin necesidad de responder a ninguna pregunta.

AMÉRICA LATINA: Esta garantía no se aplica a los productos que se venden en América Latina. Para los productos que se venden en América Latina, debe consultar la información de la garantía específica del país que viene en el empaque, llamar a la compañía local o visitar el sitio Web a fin de obtener esa información.

REEMPLAZO GRATUITO DE LAS ETIQUETAS DE ADVERTENCIAS: Si sus etiquetas de advertencia se vuelven ilegibles o faltan, llame al 1-800-4-DEWALT (1-800-433-9258) para que se le reemplacen gratuitamente.



ESPECIFICACIONES

DWE6420, DWE6421, DWE6423

Tension de alimentación	120 V CA ~
Consumo de corriente	3,0 A
Frecuencia de operación	50/60 Hz

SOLAMENTE PARA PROPÓSITO DE MÉXICO:
IMPORTADO POR: DEWALT INDUSTRIAL TOOL CO. S.A. DE C.V.
AVENIDA ANTONIO DOVALI JAIME, # 70 TORRE B PISO 9
COLONIA LA FE, SANTA FÉ
CÓDIGO POSTAL : 01210
DELEGACIÓN ALVARO OBREGÓN
MÉXICO D.F.
TEL. (52) 555-326-7100
R.F.C.: BDE810626-1W7

Para servicio y ventas consulte
"HERRAMIENTAS ELECTRICAS"
en la sección amarilla.

