

RS25J500DSR

25 cu. ft. Side-by-Side Refrigerator

Features

- Large Capacity – 24.5 cu. ft.
- External Filtered Water and Ice Dispenser
- Bar-type LED Display
- Compact Ice Maker
- Six Temperature Sensors
- ADA Compliant
- Tempered Glass Spill-Proof Shelves
- Two Crisper Drawers
- Gallon Door Bin

Convenience

- Door Alarm

Meets DOE Standards:
695 kWh/yr



ADA Compliant



Side-by-Side Design



External Filtered Water and Ice Dispenser

Available Colors



Stainless Steel
(shown)



Black Stainless Steel



White

Signature Features

LARGE CAPACITY

- Beautiful and sleek design that fits any kitchen décor. Available in 36" (24.5 cu. ft.) – fits up to 24.5 bags of groceries.* More space inside, not outside.
* Grocery comparison based on each cubic foot of usable space equaling one paper bag.

LED LIGHTING

- Beautifully lights up the interior so you're able to quickly spot what you want.
- Sleek design saves more space than traditional incandescent light bulbs.

EXTERNAL WATER FILTER AND ICE DISPENSER

- Get great-tasting, filtered water directly from your refrigerator. Spend less time and money buying bottled water.

SAMSUNG

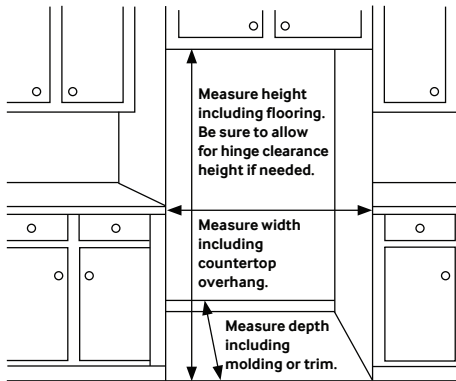
RS25J500DSR

25 cu. ft. Side-by-Side Refrigerator

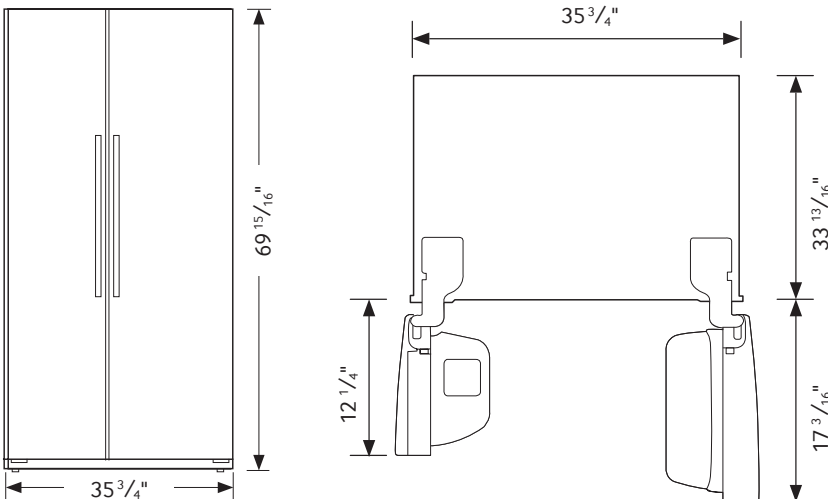
Installing Your Refrigerator

1. Measure the height, width and depth of the opening, making sure to include baseboards, molding tile, countertop overhang, etc. Check to be sure there is enough room to open the door (consider walls, islands or other obstacles when measuring).
2. Refer to illustration below to determine dimensions.
3. Allow 2" of clearance on hinge side of refrigerator when installing next to a wall where handle may make contact.
4. Allow 1" minimum clearance at rear for proper air circulation and water/electrical connections. Allow a 3/8" minimum clearance at sides and top for ease of installation.
5. Ensure each door and entryway in the home is wide enough for the refrigerator to be moved through easily.

Please note: The following dimension and cutout information is for planning purposes only. For complete installation details consult manual packed with product, or download manual online at samsung.com.



Dimensions



Total Capacity: 24.52 cu. ft.

Refrigerator: 15.72 cu. ft.

- 4 Tempered Glass Spill-Proof Shelves
- 1 Clear Crisper, 1 Humidity-Controlled Crisper Drawer
- 4 Door Bins
 - 1 Gallon Bin
 - 2 Door Bins
 - 1 Dairy Bin
- LED Lighting

Freezer: 8.8 cu. ft.

- External Filtered Water and Ice Dispenser (Crushed or Cubed Ice)
- Compact Ice Maker
- 4 Wire Shelves
- 1 Drawer
- 3 Door Bins
- LED Lighting

Accessories

Water Filter: HAF-CIN

Warranty

One (1) Year Parts and Labor on Refrigerator

Five (5) Years Parts and Labor on Sealed Refrigeration System Only*

Ten (10) Years Parts and Five (5) Years Labor on Digital Inverter Compressor

*Compressor, evaporator, condenser, drier, connecting tubing.

Product Dimensions & Weight

Dimensions (WxHxD with hinges, handles and doors):

35³/₄" x 69¹⁵/₁₆" x 36³/₁₆"

Dimensions (WxHxD without hinges and door):

35³/₄" x 68⁵/₈" x 29⁷/₁₆"

Dimensions (WxHxD with hinge and door, no handle):

35³/₄" x 69¹⁵/₁₆" x 33¹³/₁₆"

Weight: 253.5 lbs.

Shipping Dimensions & Weight (WxHxD)

Dimensions: 37³/₄" x 78⁷/₈" x 36³/₁₆"

Weight: 265.7 lbs.

Color

Stainless Steel

Black Stainless Steel

White

Model

RS25J500DSR

RS25J500DSG

RS25J500DWW

UPC Code

887276099453

887276179285

887276099354

SAMSUNG

Actual color may vary. Design, specifications and color availability are subject to change without notice. Non-metric weights and measurements are approximate.

©2018 Samsung Electronics America, Inc. 85 Challenger Road, Ridgefield Park, NJ 07660. Tel: 800-SAMSUNG. samsung.com. Samsung is a registered trademark of Samsung Electronics Co. Ltd.