

# RF22KREDBSR

22 cu. ft. Counter-Depth, 4-Door French Door Refrigerator

## Features

- 4-Door, Counter-Depth Design
- Food Showcase Door
- Metal Cooling FlexZone™ Drawer with 4 Temperature Control Settings and Smart Divider
- Twin Cooling Plus®
- High-Efficiency LED Lighting
- Ice Master Ice Maker in the Refrigerator
- Fingerprint-Proof Coating
- ENERGY STAR®-Compliant
- External Filtered Water and Ice Dispenser
- Stainless Steel Accents on Interior Shelving and Door Bins
- EZ-Open Handle™ on Freezer Door and FlexZone™ Drawer
- Two Humidity-Controlled Crispers
- Tempered Glass Spill-Proof Shelves
- Gallon Door Bins

## Convenience

- Door Alarm
- Water Filter Indicator



Food Showcase Door with Metal Cooling



FlexZone™ Drawer with Metal Cooling



ENERGY STAR®-rated:  
663 kWh/yr

## Available Colors



Stainless Steel  
(shown)



Black Stainless Steel

## Signature Features

### COUNTER DEPTH

- More capacity, smaller floor space.
- Our 22 cu. ft. capacity 4-Door Flex™ has enough room to fit up to 22 bags of groceries.<sup>1</sup>
- Stylish counter-depth design allows for more workable space in the kitchen.

<sup>1</sup>Grocery comparison based on each cubic foot of usable space equaling one paper bag.

### FOOD SHOWCASE WITH METAL COOLING

- Innovative door-in-door design gives easy access to on-the-go items such as drinks and condiments.
- Stainless steel paneling locks in cold and seals in freshness while maintaining consistent temperature throughout the refrigerator.

### FLEXZONE™ DRAWER WITH METAL COOLING

- Metal Cooling cools food faster.<sup>2</sup>
- Counter-height drawer is optimized for family organization with easy access for kids.
- Adjustable Smart Divider and four customizable temperature control settings from Chill to Soft Freeze.

<sup>2</sup>Compared to Samsung refrigerator with plastic cooling plate.

**SAMSUNG**

# RF22KREDBSR

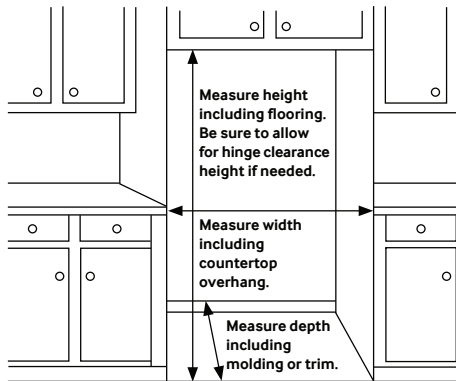
## 22 cu. ft. Counter-Depth, 4-Door French Door Refrigerator

### Installing Your Refrigerator

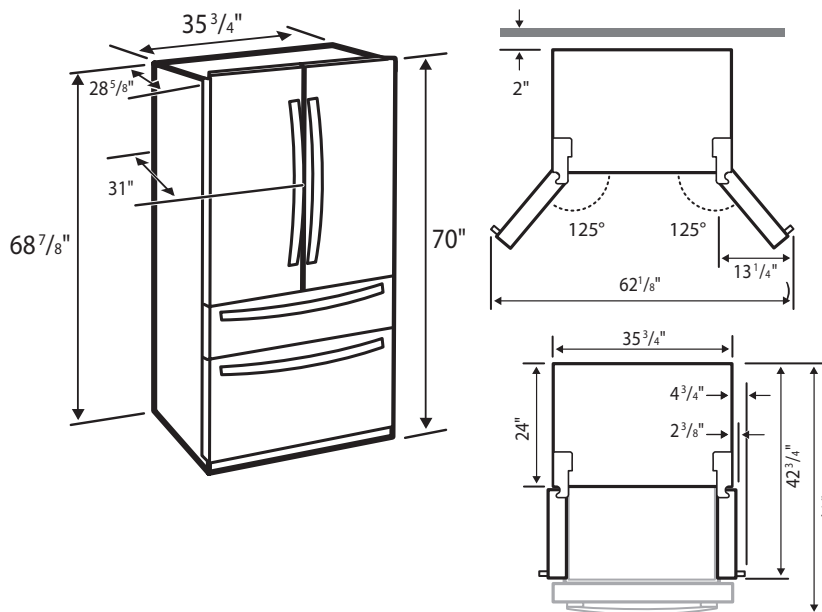
1. Measure the height, width and depth of the opening, making sure to include baseboards, molding tile, countertop overhang, etc. Check to be sure there is enough room to open the door (consider walls, islands or other obstacles when measuring).
2. Refer to illustration below to determine dimensions.
3. Allow 2.5" of clearance on hinge side of refrigerator when installing next to a wall where handle may make contact.
4. Allow 1" minimum clearance at rear for proper air circulation and water/electrical connections. Allow a 3/8" minimum clearance at sides and top for ease of installation.
5. Ensure each door and entryway in the home is wide enough for the refrigerator to be moved through easily.

**For optimal usage and to be able to open refrigerator doors completely, do not install next to a wall.**

Please note: The following dimension and cutout information is for planning purposes only. For complete installation details, consult manual packed with product, or download manual online at [samsung.com](http://samsung.com).



### Dimensions



### Total Capacity: 22.4 cu. ft.

#### Refrigerator: 12.8 cu. ft.

- Premium External Filtered Water and Ice Dispenser (Crushed or Cubed Ice)
- Ice Master Ice Maker
- 2 Humidity-Controlled Crispers
- 6 Door Bins: 3 Gallon, 3 Regular
- 5 Tempered Glass Spill-Proof Shelves
  - 1 Slide-In
  - 1 Foldable Half
  - 3 Fixed
- High-Efficiency LED Lighting

#### FlexZone™ Drawer: 3.1 cu. ft.

- EZ-Open Handle™
- 4 Temperature Zones with Smart Divider:
  - Meat/Fish (29°F)
  - Cold Drinks (33°F)
  - Deli/Snacks (37°F)
  - Wine/Party Dishes (42°F)
- High-Efficiency LED Lighting

#### Freezer: 6.5 cu. ft.

- EZ-Open Handle™
- 1 Drawer Divider
- 1 Freezer Bin
- High-Efficiency LED Lighting

### Accessories

Water Filter: HAF-CIN/EXP

### Warranty

One (1) Year Parts and Labor on Refrigerator  
Five (5) Years Parts and Labor on Sealed Refrigeration System Only\*  
Ten (10) Years Parts and Five (5) Years Labor on Digital Inverter Compressor

\*Compressor, evaporator, condenser, drier, connecting tubing.

### Product Dimensions & Weight

Dimensions (WxHxD with hinges, handles and doors):  
35<sup>3</sup>/<sub>4</sub>" x 70" x 31"

Dimensions (WxHxD without hinges and door):  
35<sup>3</sup>/<sub>4</sub>" x 68<sup>7</sup>/<sub>8</sub>" x 24"

Dimensions (WxHxD with hinge and door, no handle):  
35<sup>3</sup>/<sub>4</sub>" x 70" x 28<sup>5</sup>/<sub>8</sub>"

Weight: 357.1 lbs.

### Shipping Dimensions & Weight (WxHxD)

Dimensions: 38<sup>1</sup>/<sub>4</sub>" x 75<sup>1</sup>/<sub>2</sub>" x 30<sup>5</sup>/<sub>8</sub>"

Weight: 381.3 lbs.

Color	Model #	UPC Code
Stainless Steel	RF22KREDBSR	887276146652
Black Stainless Steel	RF22KREDBSG	887276146546



Actual color may vary. Design, specifications, and color availability are subject to change without notice. Non-metric weights and measurements are approximate.

©2016 Samsung Electronics America, Inc. 85 Challenger Road, Ridgefield Park, NJ 07660. Tel: 800-SAMSUNG. [samsung.com](http://samsung.com). Samsung is a registered trademark of Samsung Electronics Co. Ltd.