

RT21M6213SR

SAMSUNG

Samsung Top-Freezer Refrigerator

21 cu. ft. Capacity



Signature Features

FlexZone™

- Versatile fridge compartment that converts freezer to fridge.

Twin Cooling Plus®

- Maintains both high levels of refrigerator humidity to keep perishable fruits and vegetables fresher longer, and dry freezer conditions means less freezer burn for better-tasting frozen foods.

Slide & Reach Pantry

- Easily access all your favorite foods.

Available Colors



Stainless Steel



Black Stainless Steel (shown)



White



FlexZone™



Slide & Reach Pantry

Features

- Large Capacity – 21 cu. ft.
- ENERGY STAR® Compliant
- Twin Cooling Plus® (FlexZone™)
- True No-Frost Technology
- LED Top Lighting
- Fresh Room
- Vegetable Bins
- Dairy Bin

Convenience

- Reversible Door
- Recessed Door Handle
- Sabbath Mode

Rating



ENERGY STAR®-rated:
394 kWh/yr
(without ice maker)

RT21M6213SR

SAMSUNG

Samsung Top-Freezer Refrigerator

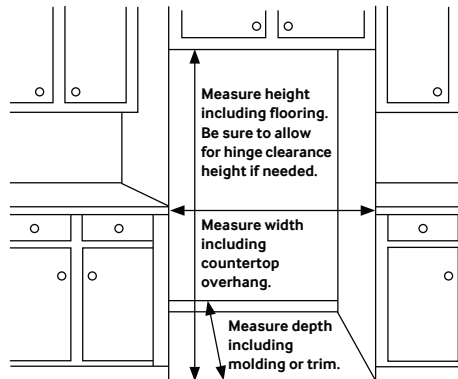
21 cu. ft. Capacity

Installation Specifications

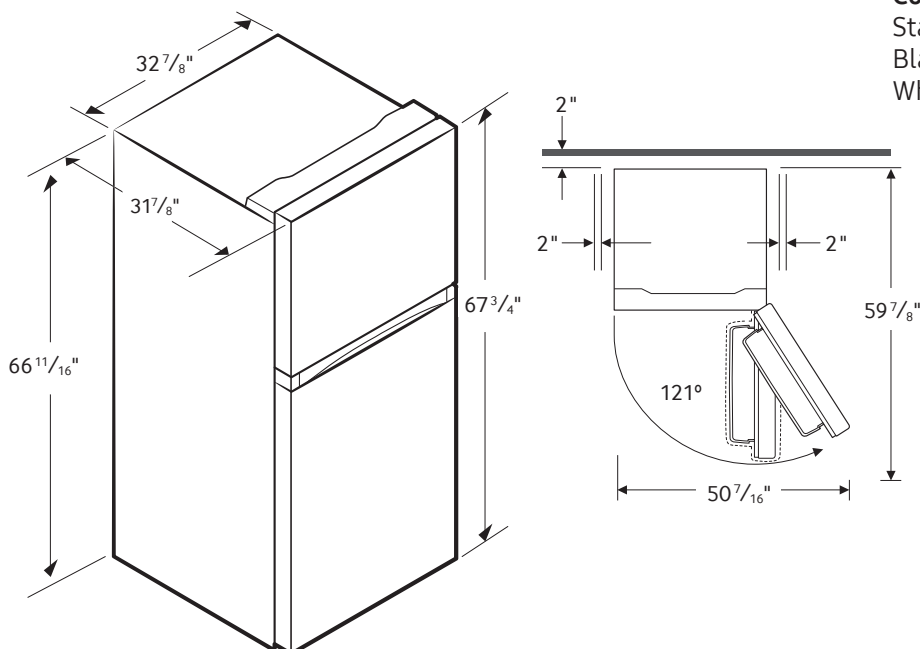
1. Measure the height, width and depth of the opening, making sure to include baseboards, molding tile, countertop overhang, etc. Check to be sure there is enough room to open the door (consider walls, islands or other obstacles when measuring).
2. Refer to illustration below to determine dimensions.
3. Allow 2.5" of clearance on hinge side of refrigerator when installing next to a wall where handle may make contact.
4. Allow 1" minimum clearance at rear for proper air circulation and water/electrical connections. Allow a 3/8" minimum clearance at sides and top for ease of installation.
5. Ensure each door and entryway in the home is wide enough for the refrigerator to be moved through easily.

For optimal usage and to be able to open refrigerator doors completely, do not install next to a wall.

Please note: The following dimension and cutout information is for planning purposes only. For complete installation details, consult manual packed with product, or download manual online at samsung.com.



Dimensions



Total Capacity: 21.1 cu. ft.

Refrigerator: 15.4 cu. ft.

- Fresh Room
- Dairy Bin
- 2 Vegetable Bins
- LED Top Lighting

Fridge in Freezer: 5.7 cu. ft.

- 1 Glass Shelf

Optional Ice Maker Available: RA-TIMO63PP/AA Samsung Quick-Connect Auto Ice Maker produces 3.75 lbs. of ice per day.

Warranty

One (1) Year Parts and Labor on Refrigerator
Five (5) Years Parts and Labor on Sealed Refrigeration System Only*
Ten (10) Years Parts and Five (5) Years Labor on Digital Inverter Compressor

*Compressor, evaporator, condenser, drier and connecting tubing.

Product Dimensions & Weight

Dimensions (WxHxD with hinges, handles and doors):
32⁷/₈" x 67³/₄" x 31⁷/₈"

Dimensions (WxHxD without hinges and door):
32⁷/₈" x 66¹¹/₁₆" x 28¹/₂"

Weight: 198.4 lbs.

Shipping Dimensions & Weight (WxHxD)

Dimensions: 34³/₈" x 71⁵/₈" x 33¹/₂"

Weight: 216 lbs.

Color

Stainless Steel
Black Stainless Steel
White

Model

RT21M6213SR
RT21M6213SG
RT21M6213WW

UPC Code

887276213859
887276213842
887276213866