



PULSE

SHOWERSPAS

Navajo ShowerSpa

Model #1018

Owner's Manual



NAVAJO

Navajo ShowerSpa Model #1018

Please Read The Following Instructions **COMPLETELY** Before Beginning!

Our goal is to ensure your installation goes smoothly and safely. Please read these instructions carefully and follow recommendations for plumbing and mounting. **After reading instructions, if you determine you do not have the necessary skills and/or tools, we recommend that a licensed plumbing contractor complete the installation.**

***If you encounter any problems during installation
CALL TECHNICAL SUPPORT
TOLL FREE at 888-785-7320
Before returning your ShowerSpa to the store***

You Will Need The Following Tools

Soft pencil or felt pen to mark tile

Safety glasses

Tape measure

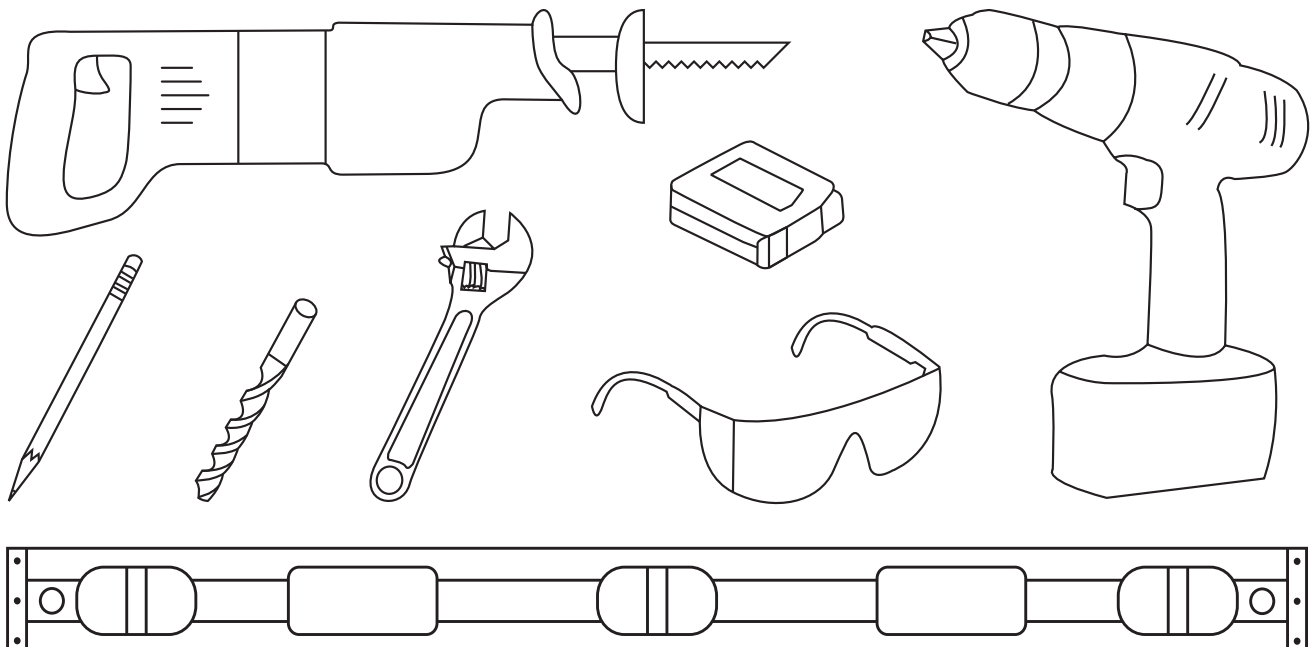
Level

Reciprocating saw w/ metal cutting blade (Sawzall®)

Channel locks or adjustable wrench

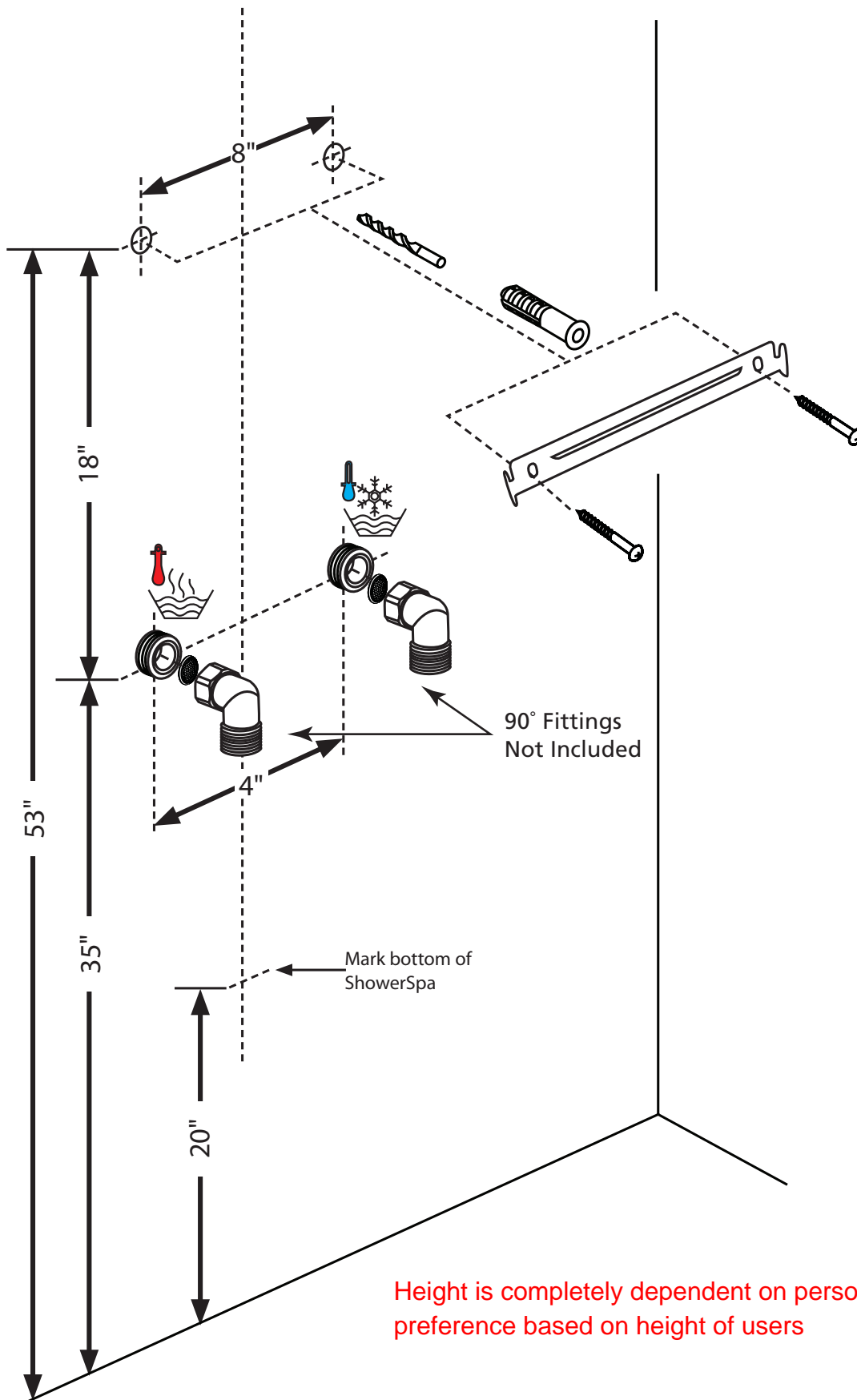
Drill (Preferably cordless)

¼" Masonry drill bit



Stub-Out Location

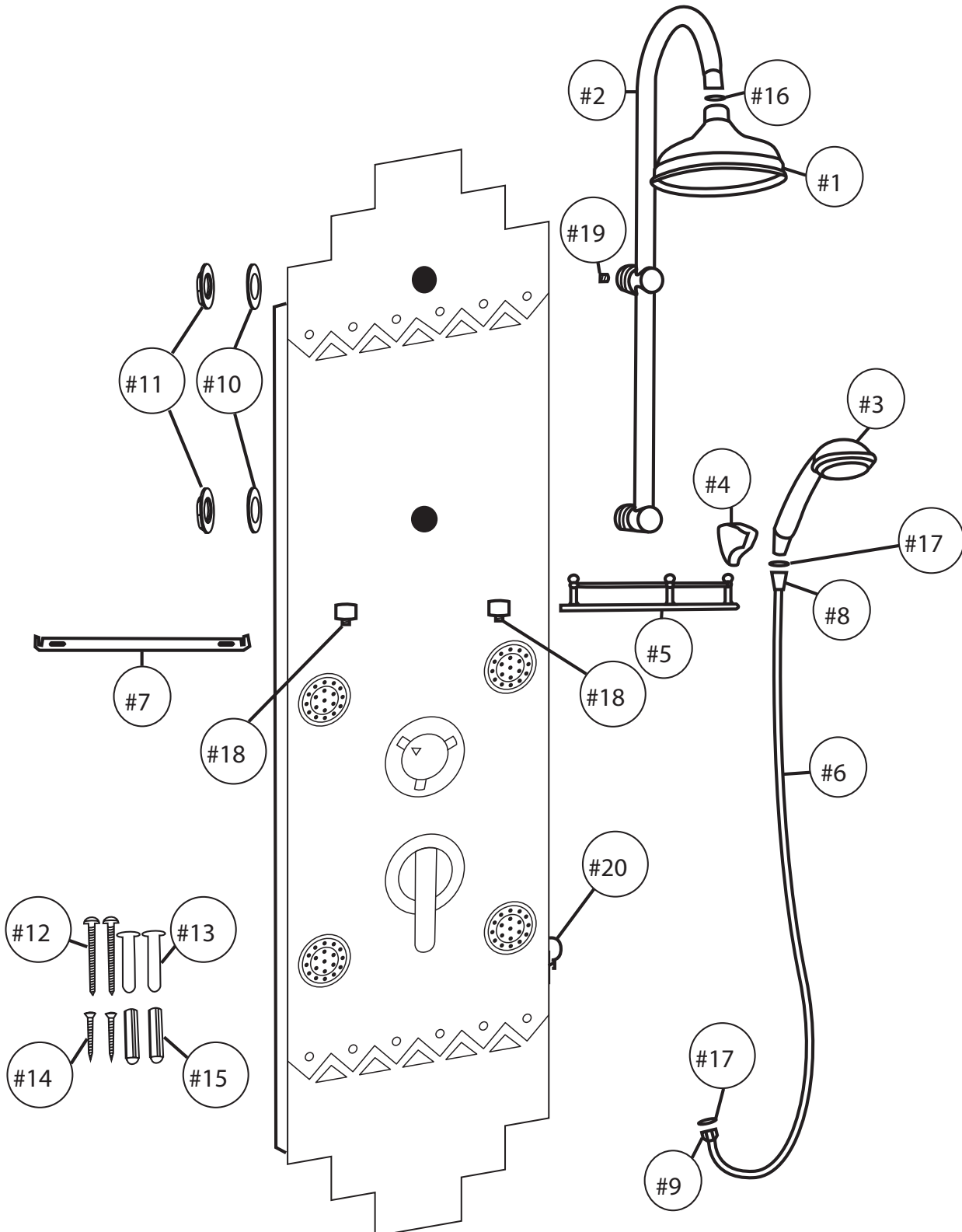
ESTIMATED MOUNTING HEIGHT AND STUB-OUT LOCATION FOR INDIVIDUALS 5'8"–6'2"



Height is completely dependent on personal preference based on height of users

Parts Legend

- | | | |
|-------------------------------|-----------------------------------------------|----------------------------------------------------|
| 1. Shower Head | 8. Tapered End of Hose | 15. Mounting Anchor Handheld Mount.....(2) |
| 2. Shower Arm | 9. Hexagon Nut End of Hose | 16. Screen 3mm Washer (inserted) |
| 3. Handheld Shower | 10. Soft Washer.....(2) | 17. 3mm Washer.....(2) |
| 4. Handheld Mount | 11. Shower Arm Nuts.....(2) | 18. Allen Set Screw w/ Nylon Top (inserted)....(2) |
| 5. Glass Shelf | 12. Mounting Screw Panel Bracket.....(2) | 19. Allen Set screw (inserted) |
| 6. Stainless Steel Hose (ORB) | 13. Mounting Anchor Panel Bracket.....(2) | 20. Handheld Hose Outlet (attached) |
| 7. Shower Panel Wall Mount | 14. Mounting Screw Handheld Mount (blk)...(2) | |



Assembly

After installing your ShowerSpa, some assembly is required

Shower Arm

1. Align two mounts with pre-drilled holes in ShowerSpa. To align top mount loosen allen set screw (#19) inside mount and adjust accordingly to fit top hole. Insert threaded mount through holes in ShowerSpa and secure with soft washer (#10) and nut (#11) supplied. Tighten set screw (#19) inside mount. CAUTION: Do NOT over-tighten set screw. Attach shower head supply line to the lower shower arm mount. Make sure rubber washer is inserted inside fitting. Install shower head onto shower arm.

Glass Shelf

2. Position glass shelf into slotted mounts. Secure allen set screws (#18) on the under side of the mounts. Do NOT over-tighten screws.

Handheld Hose and Wand

3. Attach hexagon nut end of hose (#9) to handheld hose outlet (#20). NOTE: make sure rubber washers are inserted in each end of hose. Attach tapered end of hose (#8) to handheld wand (#3).

Installation—New Construction

Extensive Remodel—New Finished Wall Surface

1. Prior to sheetrock, stub-out ½" hot and cold supply lines beyond finished wall surface, 4" on center. The height of the stub-outs is completely dependent upon the desired mounting height of the Navajo ShowerSpa. For a person 5'8"-6'2" we recommend the stub-outs to be 35" from the finished floor.¹
2. After the finished wall surface has been completed, make certain the water is completely turned of to both hot and cold supply lines of the shower. Connect the 90° male threaded fittings to the stub-outs maintaining a 1/4"-1/2" space between the fitting and finished wall. The open end of the threaded male fitting should point down.
3. Mark the location of the holes for the mounting bracket making sure the bracket is level. For a person 5'8"-6'2" tall we recommend 53" from the finished floor height. Before drilling holes for the bracket, make sure the ShowerSpa will rest flat against the finished wall surface at the desired mounting height with the supply lines connected.
4. Drill 1/4" holes through the wall surface using a masonry bit. Drill slowly through the wall surface to avoid cracking and chipping. Insert anchor and securely screw bracket to wall. Before connecting hot and cold supply lines, mount the ShowerSpa on the wall, checking the height, and making sure that the ShowerSpa feels secure.
6. Connect hot and cold water supply lines to stub-outs—**DO NOT OVERTIGHTEN**. Before mounting the ShowerSpa, check fittings to make sure they are secure. Turn on water and check for leaks. When fittings are leak-free, mount ShowerSpa on wall.
7. **OPTIONAL**—Seal around body of ShowerSpa with a bead of silicone.
DO NOT SEAL BOTTOM.

¹ The desired mounting height of ShowerSpa determines height of the ½" stub-outs. The stub-outs must be located at a height allowing supply lines to be connected and body of ShowerSpa to rest flat against finished wall.

² The mounting height may vary depending on several factors (i.e. location of supply lines, interference from ShowerSpa plumbing, old valve access area, personal preference, etc.)

Installation—Retrofit

Existing Shower Replacement

NOTE—In a remodel in which you are not replacing the finished wall surface (tile, or backing material) it is advisable to purchase a PULSE ShowerSpa model that covers the location of existing valve assembly—either single handle or two-handle type. If your PULSE ShowerSpa model does not cover this area, you will need to either choose another PULSE ShowerSpa model that does or make necessary repairs with appropriate materials (i.e. wallboard, tile, fiberglass, etc).

1. **TURN OFF WATER SUPPLY TO SHOWER.** Typically there is a gate valve where the water main enters the house. Turning the water valve off at hot water tank does not turn off cold water supply line.
2. Make certain that water is completely turned off to both the hot & cold supply lines of the shower. Turn shower valve on, both hot and cold, to verify water supply is **OFF**. Open a sink faucet in the bathroom in which you are installing the ShowerSpa to relieve any pressure and help adequately drain the shower supply lines.
3. Remove handle(s) and trim cover(s) of your existing valve exposing valve body in wall.
4. Locate hot and cold supply lines entering valve. Using a reciprocating saw with sharp metal saw blade, cut existing valve out, preserving threads of the supply lines entering valve. You should also cut the riser within wall supplying the existing showerhead. Carefully twist and remove valve.
5. Unscrew old showerhead from shower arm and then unscrew shower arm from the wall.
6. Water lines must be extended outside of wall cavity, 3" on center. For best results, attach 90° brass fittings (available at most hardware stores) to the stub-outs maintaining ¼"–½" of space between the fitting and finished wall. The open end of the 90° brass fittings should point down so the supply lines attach parallel to the wall.⁴
7. Make certain that when you connect to the stub-outs they **DO NOT INTERFERE** with the backside of the ShowerSpa after mounting.⁵
8. Mark location of holes for the mounting brackets, making sure holes are plumb. For a person 5'8"–6'2" tall, we recommend placing the holes of the upper bracket at 53" from finished floor height.³ From the upper bracket holes, measure down 31¼" for location of the lower bracket holes. Before drilling holes for the brackets, make certain the ShowerSpa will rest flat against finished wall surface at the desired mounting height with the supply lines connected.
9. Drill ¼" holes through wall surface using a masonry bit. Drill slowly through wall surface to avoid cracking and chipping. Insert anchors and securely screw brackets to wall. Before connecting hot and cold supply lines, hang the ShowerSpa on wall, check the height and make sure the ShowerSpa is flush against the wall with a secure fit.
10. Connect hot and cold water supply lines to male threaded pipe, **DO NOT OVERTIGHTEN**. Before mounting the ShowerSpa, check fittings to make sure they are secure. Turn on water and check for leaks. When fittings are leak-free, mount ShowerSpa on wall.
11. Hold handheld mount to desired height, making sure flexible hose reaches mount. Recommended 4"–6" from ShowerSpa on the right side of the unit so you can easily remove the handheld wand. Position mount flat on surface and make two marks with a pencil. Carefully drill 1/4" holes through the wall surface using a masonry bit. Insert anchors and screw mount to wall.
12. **OPTIONAL**—Seal around body of ShowerSpa with a bead of silicone. **DO NOT SEAL BOTTOM.**

⁴ Additional fittings or longer supply lines may be necessary depending on your specific situation.

⁵ The mounting height can vary depending on several factors (i.e. location of supply lines, old valve access area, interference from ShowerSpa plumbing, personal preference, etc).

Usage

Pressure Balance Mixing Valve

The Navajo ShowerSpa is equipped with a cUPC® pressure balance mixing valve to adjust water flow and temperature. The valve automatically adjusts to changes in water pressure (i.e. someone flushes a toilet), keeping your temperature constant and preventing accidental scalding. To turn on the ShowerSpa simply raise the handle until the desired flow rate is achieved. Rotate to the right to decrease temperature and rotate to the left to increase temperature. Be sure that the handle is in the OFF position when you are done using your ShowerSpa so that pressure does not build up inside the unit.

Brass Diverter

The Navajo ShowerSpa offers independent control of each function. Water pressure can be directed to a single function or split between the different functions via the diverter knob. The three functions are rain showerhead, hand shower and body jets.

Showerhead

The rain showerhead showerhead provides the relaxing feel of soft rain.

Hand Shower

The hand shower has a single power-spray pattern that can be used alone or in combination with any of the other ShowerSpa functions.

Body Jets

There are four dual-head body jets. Twist the body jets to change the spray pattern.

Care and Maintenance

Always blot dry any water from the surface of your ShowerSpa. To help protect your ShowerSpa from hard water stains and mineral deposits, use an auto spray wax periodically and wipe down your ShowerSpa after each use. Allowing water to evaporate on the surface can lead to a buildup of mineral deposits. Cleaning with a damp, nonabrasive sponge and drying with a clean soft cloth should help keep your ShowerSpa looking beautiful.

R E M E M B E R

NEVER use any abrasives or harsh cleaners!

Clean with mild soap and water ONLY!

*To keep your ShowerSpa in pristine condition,
DRY AFTER EACH USE!*

Manufacturer's Limited Warranty

PULSE Shower Spas, Inc. warrants that all ShowerSpas are free from defect in workmanship and/or materials for a period of three years from the date of purchase. This warranty extends to the original purchaser only and is non-transferable.

This warranty does not cover, and PULSE ShowerSpas will not pay for any conditions, malfunctions or damages resulting from (1) normal wear and tear, improper installation (whether performed by a contractor, a service company or the consumer), improper maintenance, misuse, abuse, negligence, accident or alteration; (2) the use of abrasive, caustic or "no-rinse" cleaning agents; (3) the use of the product in any manner contrary to the product instruction; (4) any condition in the home such as excessive water pressure or corrosion.

Should any ShowerSpa be determined by PULSE ShowerSpas, Inc. to be defective in normal residential use, at the option of PULSE ShowerSpas, Inc., such product shall either be replaced or repaired and returned to the customer free of defects. The consumer shall give notice of any defects to PULSE ShowerSpas, Inc. within thirty days of discovery of such defect.

Proof of purchase (original sales receipt) must be provided to PULSE Shower Spas, Inc. with all warranty claims. PULSE ShowerSpas, Inc. is not responsible for any labor charges, removal charges, installation or other consequential costs. In no event shall the liability of PULSE ShowerSpas, Inc. exceed the purchase price of the ShowerSpa.

Some states/provinces do not allow limitations of how long an implied warranty lasts or the exclusion or limitation of such damages, so these limitations and exclusions may not apply to you. This warranty gives the consumer specific legal rights. You may also have other rights that vary by state/province.

Follow manufacturers recommended installation. Use caution with children under ten years of age. Do not use ShowerSpa as a support device. Do not use harsh chemicals or abrasives when cleaning. Turn water supply off when servicing your ShowerSpa.



PULSE
SHOWER SPAS

Pulse ShowerSpas, Inc. ~ 297 Anna Street ~ Watsonville, CA 95076 ~ 888.785.7320
info@pulseshowerspas.com ~ www.pulseshowerspas.com ~ support@pulseshowerspas.com