

# ULTRA B10/B13 LED Lamps



## Key Features & Benefits

- Long life: rated at 15,000 hours life (L<sub>70</sub>)
- Available in 2500K and 2700K color temperatures
- Dimmable down to 10%\*
- Reduce energy consumption by 84%
- Lasts 10 times longer than incandescent lamps
- UV and IR free
- Mercury and lead free
- Available in blunt tip
- Suitable for use in damp locations
- No warm-up time, instant-on with full light output and stable color

\* Performance may vary depending on dimmer used in application. Please refer to Dimmer Compatibility List (RETRO-DIM) for a list of compatible dimmers or visit [www.SYLVANIA.com/LEDretrofit](http://www.SYLVANIA.com/LEDretrofit)



SYLVANIA ULTRA LED B10 and B13 lamps with industry leading light output are outstanding replacements for standard incandescent B10 lamps in many applications and are available with a blunt tip. These environmentally friendlier lamps use 80% less energy and last 10 times longer than incandescent B10 lamps. Offered in two color temperatures, the 2700K color temperature provides soft white incandescent light while the warmer 2500K color temperature is perfect for hospitality applications. These dimmable lamps can create the perfect mood for any setting.

## Product Offering

Ordering Abbreviation	Wattage	Base	CCT
LEDB10	4	E12, E26	2500K, 2700K
LEDB13	6	E12, E26	2500K, 2700K
LEDB13	7	E12, E26	2700K

## Application Information

### Applications

- Chandeliers
- Decorative lighting fixtures
- Wall sconces

### Market Segments

- Hospitality
- Restaurant
- Residential
- Retail

### Application Notes

1. Operating temperatures: between -20°C to 30°C (-4°F to 86°F)
2. Suitable for outdoor use when used in a UL rated fixture where protected from the weather.
3. Product is not intended for use in emergency light fixtures or exit signs.
4. No user serviceable parts inside. To avoid electrical shock do not disassemble product.

This device complies with part 15 of the FCC Rules. Operation is subject to the following two conditions: (1) This device may not cause harmful interference, and (2) this device must accept any interference received, including interference that may cause undesired operation. For FCC Part 15 user information, please see [www.sylvania.com/fcc15b](http://www.sylvania.com/fcc15b)



## Specification Data

Catalog #	Type
Project	
Comments	
Prepared by	

## Ordering Information

Item Number	Ordering Abbreviation	ENERGY STAR®	Wattage (W)	Lumens	Color	CRI	Average Rated Life (hrs.)	Replacing	Power Factor
75167	LED4B10C/BLUNT/DIM/827/G2	N/A	4	200	2700K	82	15,000	25W B10	0.9
78812*	LED4B10C/BLUNT/DIM/827	Yes	4	200	2700K	80	15,000	25W B10	0.9
75168	LED4B10/BLUNT/DIM/827/G2	N/A	4	200	2700K	82	15,000	25W B10	0.9
78890*	LED4B10/BLUNT/DIM/827	Yes	4	200	2700K	80	15,000	25W B10	0.9
78888	LED4B10C/BLUNT/DIM/725	N/A	4	200	2500K	78	15,000	25W B10	0.9
78892	LED4B10/BLUNT/DIM/725	N/A	4	200	2500K	78	15,000	25W B10	0.9
79629	LED6B13C/BLUNT/DIM/827/G2	N/A	6	350	2700K	82	15,000	40W B10	0.9
78881*	LED6B13C/BLUNT/DIM/827	No	6	350	2700K	80	15,000	40W B13	0.9
79628	LED6B13/BLUNT/DIM/827/G2	N/A	6	350	2700K	82	15,000	40W B10	0.9
78901*	LED6B13/BLUNT/DIM/827	No	6	350	2700K	80	15,000	40W B13	0.9
78007	LED6B13C/BLUNT/DIM/825	N/A	6	330	2500K	80	15,000	40W B13	0.9
78008	LED6B13/BLUNT/DIM/825	N/A	6	330	2500K	80	15,000	40W B13	0.9
72894	LED7B13C/BLUNT/DIM/827	No	7	500	2700K	80	15,000	60W B13	0.98
72895	LED7B13/BLUNT/DIM/827	No	7	500	2700K	80	15,000	60W B13	0.98

OSRAM SYLVANIA submits most lamps for ENERGY STAR testing. Early qualification for ENERGY STAR lamps begin at 25,000 hours (L<sub>70</sub>) regardless that the design of the lamp is manufactured for a greater life expectancy. As the lamps pass ENERGY STAR qualifications, manufacturers are able to increase rated life as dictated by ENERGY STAR guidelines becoming either provisionally qualified or fully qualified. Please visit EnergyStar.gov for more information about testing requirements for ENERGY STAR qualified products.

\* Products to be discontinued

## Ordering Guide

LED	4	B10	C	/	BLUNT	/	DIM	/	8	27
LED Lamp	Wattage 4, 6, 7	Lamp type: B: Shape 10: 10/8 of an inch	Base: Candelabra Base	/	Lamp Tip Shape	/	Dimmable	/	CRI 7 = 70+ CRI 8 = 80+ CRI	CCT 25 = 2500K 27 = 2700K

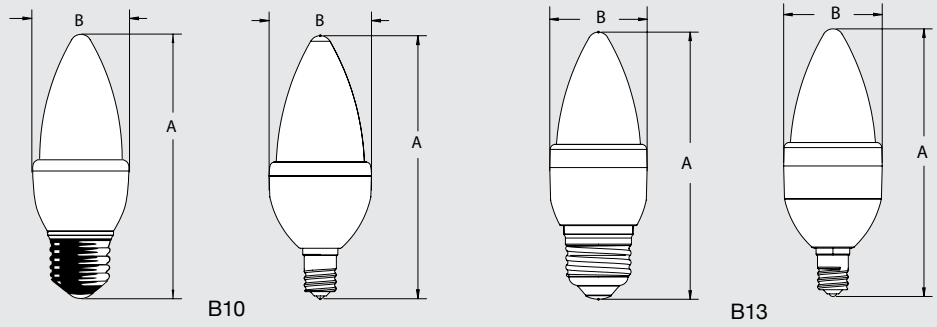
## Energy Savings

Basic Product Description	LED Life (hrs.)	Similar Incandescent	Incandescent Life (hrs.)	Watts Saved	Energy Savings	LED Life vs. Incandescent Life
LED4B10	15,000	25W B10	1500	21	\$34.65	10X
LED6B13	15,000	40W B10	1500	34	\$56.10	10X
LED7B13	15,000	60W B10	1500	53	\$87.45	10X

Based on \$0.11 per kWh over the life of the bulb.

## Lamp Dimensions

	(A) MOL (mm)	(B) Diameter (mm)
LED4B10	104	35
LED6B13	120	42
LED7B13	107	38



## Sample Specification

Lamps shall be SYLVANIA ULTRA LED B13 lamps with a minimum of 350-500 lumens and 15,000 hour rated life. SYLVANIA ULTRA LED B10 lamps shall be a minimum of 200 lumens and a 15,000 hour rated life. Lamps shall be energy efficient, UV and IR free and shall be dimmable.

## OSRAM

Americas Headquarters

OSRAM SYLVANIA Inc.

100 Endicott Street

Danvers, MA 01923 USA

Phone 1-800-LIGHTBULB (1-800-544-4828)

[www.sylvania.com](http://www.sylvania.com)

SYLVANIA is a registered trademark of OSRAM SYLVANIA Inc.  
All other trademarks are those of their respective owners.  
Specifications subject to change without notice.



/sylvania



/sylvania

