

23817-012

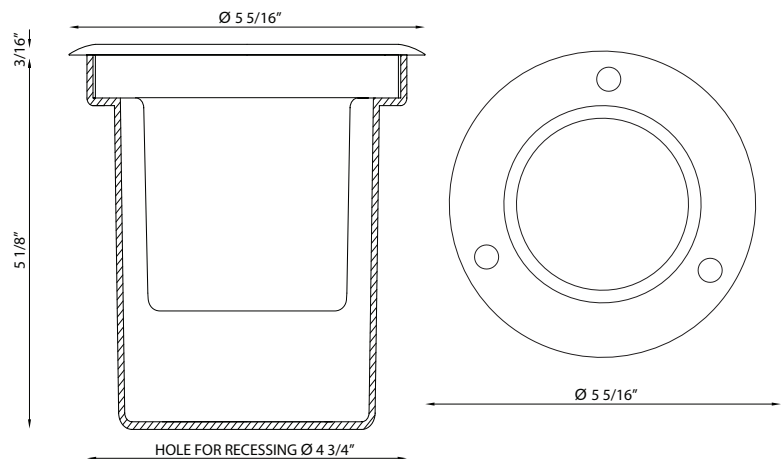


- High corrosion resistance stainless steel body
- Stainless steel ring
AISI 316 - CD Range
- Clear tempered glass
- Stainless steel screws
- Silicon rubber gasket
- Max static weight resistance 5000kg
- Protection against impact IK09
[10 joule]
- M20 cable gland
- Polypropilene housing for recess included
- Ready to be installed

5 YEAR WARRANTY



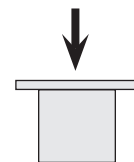
COMPLETELY MADE OF STAINLESS STEEL AISI 316 GRADE



GU10 35 WATT

120 VOLTS

IP 67



MAX 5.000 kg