



LOCATION		DATE
PREPARED BY		QUANTITY
COMMENTS		FIXTURE TYPE
CATALOG NUMBER		

Taylor Vanity TAV Series

Features

Uniquely shaded wall mount vanity has polished chrome decorative detail with a white acrylic diffuser and textured linen pattern. The diffuser has the appearance of linen but maintains like an acrylic diffuser that will hold up to heat and humidity. Fixture is ballasted for two T8 lamps. Power supply connections are made inside the channel and the channel is located behind the shade. Offset J-box mounting is possible (consult factory).

Construction

The wiring channel is formed from 22-gauge steel and is provided with standard mounting holes and wiring access. The decorative detail is formed of 22-gauge steel with a polished chrome finish.

Finish

Decorative accents have a polished chrome finish with clear lacquer topcoat. Internal housing is finished in lighting grade baked gloss white enamel paint.

Diffuser

Diffuser is a .100" white textured linen patterned acrylic with a clear top diffuser and clear frost bottom. Diffuser mounts to top of channel with decorative thumbnuts.

Electrical

This unit is wired with UL listed electronic high power factor programmed start ballast. 50/60 Hz AC operation.

Lamping

25W T8 lamps required.

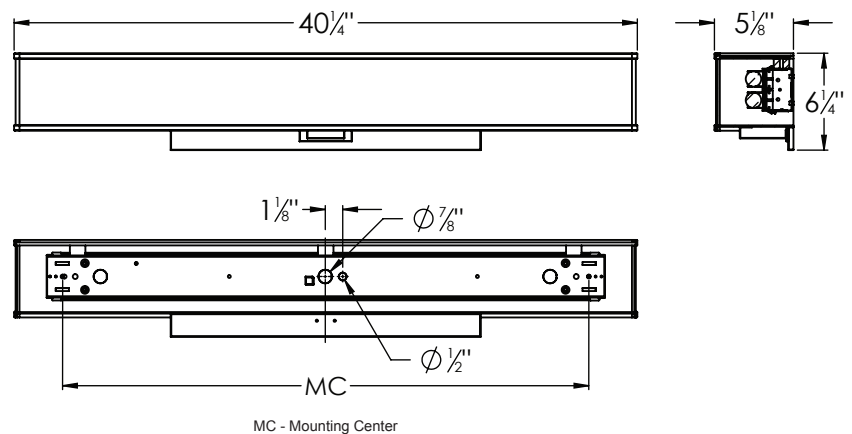
Certification

All fixtures are cULus listed for damp locations.

Options (consult factory)

2 and 4 ft. versions available with quantity
Emergency battery backup
Dimming
Custom finishes

Specifications and dimensions
subject to change without notice.



Ordering Information:

Polished Chrome	Qty.	Lamp	H	L	D	MC
TAV225PCMV	2	F25T8	6-1/4"	40-1/4"	5-1/8"	34"