



Kobalt & K Design® is a registered trademark of LF, LLC. All rights reserved.

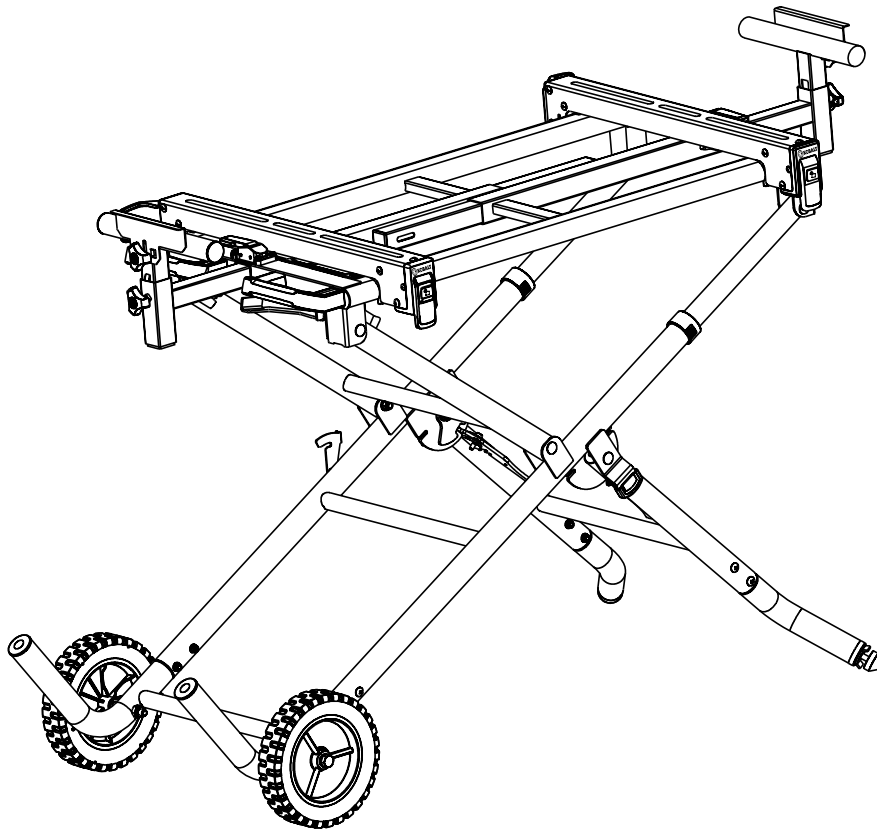
ITEM #0237980

# MOBILE MITER SAW STAND

MODEL #ST0603W

Français p. 21

Español p. 41



**NOTICE:** The serial number and MFG date code of the unit can be found on the nameplate of the machine. Record these numbers below for future reference.

### ATTACH YOUR RECEIPT HERE

Serial Number \_\_\_\_\_ MFG Date \_\_\_\_\_ Purchase Date \_\_\_\_\_



**Questions, problems, missing parts?** Before returning to your retailer, call our customer service department at 1-888-3KOBALT (1-888-356-2258), 8 a.m. - 8 p.m., EST, Monday - Friday.

## TABLE OF CONTENTS

Product Specifications .....	2
Package Contents.....	2
Hardware Contents.....	4
Safety Information.....	5
Knowing the Stand.....	6
Preparation.....	7
Assembly Instructions.....	8
Adjustment Instructions.....	10
Operating Instructions.....	11
Replacement Parts List and Exploded View.....	17
Warranty.....	20

## PRODUCT SPECIFICATIONS

Stand height with mounting brackets	32 in.
Work table size	18 in. x 36 in.
Size of the folded stand	46 in. (L) x 25.4 in. (W) x 14.5 in. (H)
Size of the extended stand	52.7 in. (L) x 25.4 in. (W) x 36 in. (H)
Diameter of wheel	8 in.
Maximum weight load	300 lbs. (136.08 kg)

## PACKAGE CONTENTS

### UNPACKING YOUR STAND

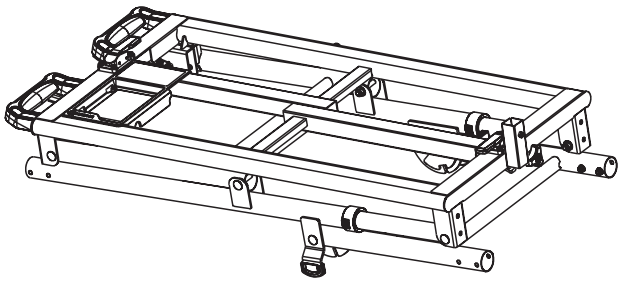
This product requires assembly.

1. Remove the stand and all parts from the carton.
2. Place the stand on the ground.
3. Separate all parts from the packing material. Check each one with the illustration on page 3 to make certain all items are accounted for before discarding any packing material.

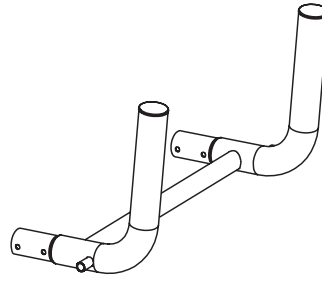
**⚠ WARNING:** If any part is missing or damaged, do not attempt to assemble the stand until the missing or damaged part is correctly replaced.

PART	DESCRIPTION	QUANTITY
A	Stand	1
B	Left stand leg	1
C	Front leg tube	1
D	Rear leg tube	1
E	Saw mounting brackets	2
F	Extension support assembly	2
G	Height adjustment knob	2
H	Wheel	2
I	Stand leg hardware bag	1
J	Wheel hardware bag	1
K	Securing hardware	4 sets

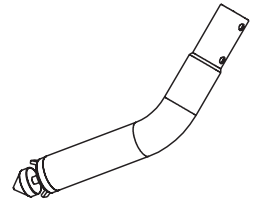
# PACKAGE CONTENTS



A



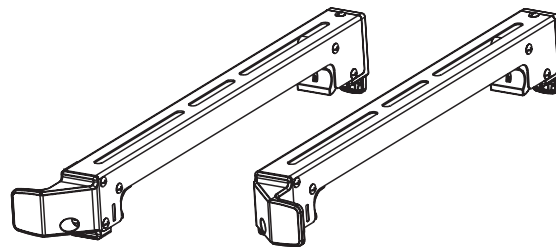
B



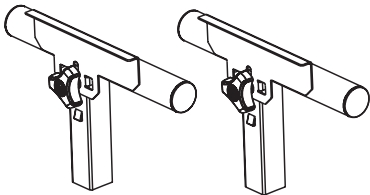
C



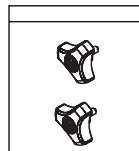
D



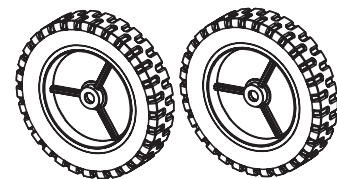
E



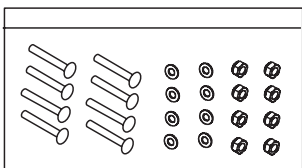
F



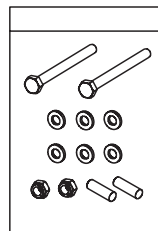
G



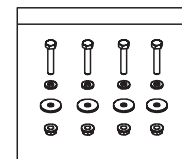
H



I



J



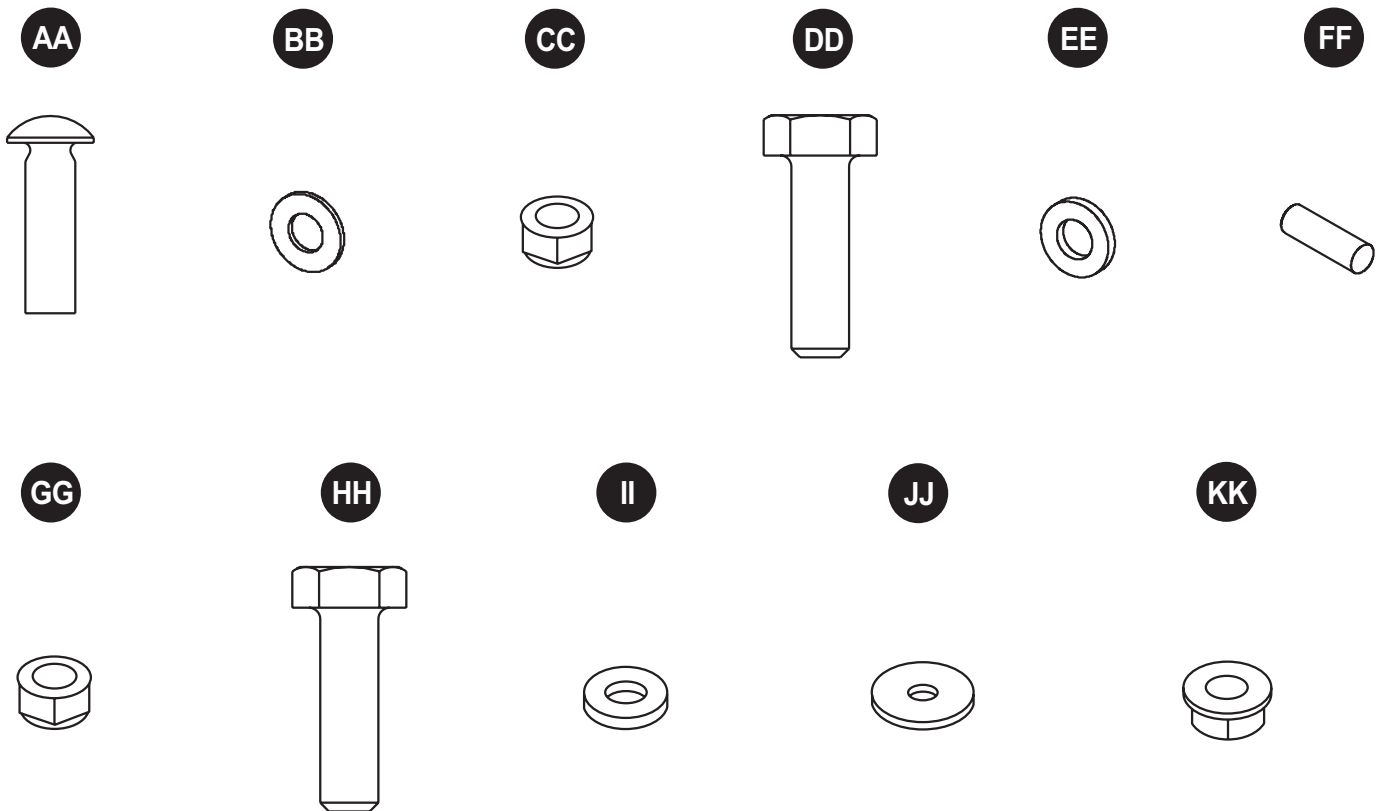
K

**HARDWARE CONTENTS (not shown to actual size)**

BAG	PART	DESCRIPTION	QUANTITY
I	AA	M6*1.0-45 Screw	8
	BB	φ6*18-1.5 Washer	8
	CC	M6*1.0 Nut	8

BAG	PART	DESCRIPTION	QUANTITY
J	DD	M10*1.5-115 Bolt	2
	EE	φ10*20-3 Washer	6
	FF	Sleeve	2
	GG	M10*1.5 Nut	2

BAG	PART	DESCRIPTION	QUANTITY
K	HH	M8*1.25-45 Bolt	4
	II	φ8*16-2.5 Washer	4
	JJ	M8*1.25 φ8*28-2.5 Washer	4
	KK	M8*1.25 Nut	4



## SAFETY INFORMATION

---

### GENERAL SAFETY INFORMATION

#### WARNING

Read and understand all warnings and operating instructions before using any tool or equipment. When using tools or equipment, basic safety precautions should always be followed to reduce the risk of personal injury. Improper operation, maintenance or modification of tools or equipment could result in serious injury and property damage. There are certain applications for which tools and equipment are designed. It is strongly recommended that this product NOT be modified and/or used for any application other than for which it was designed.

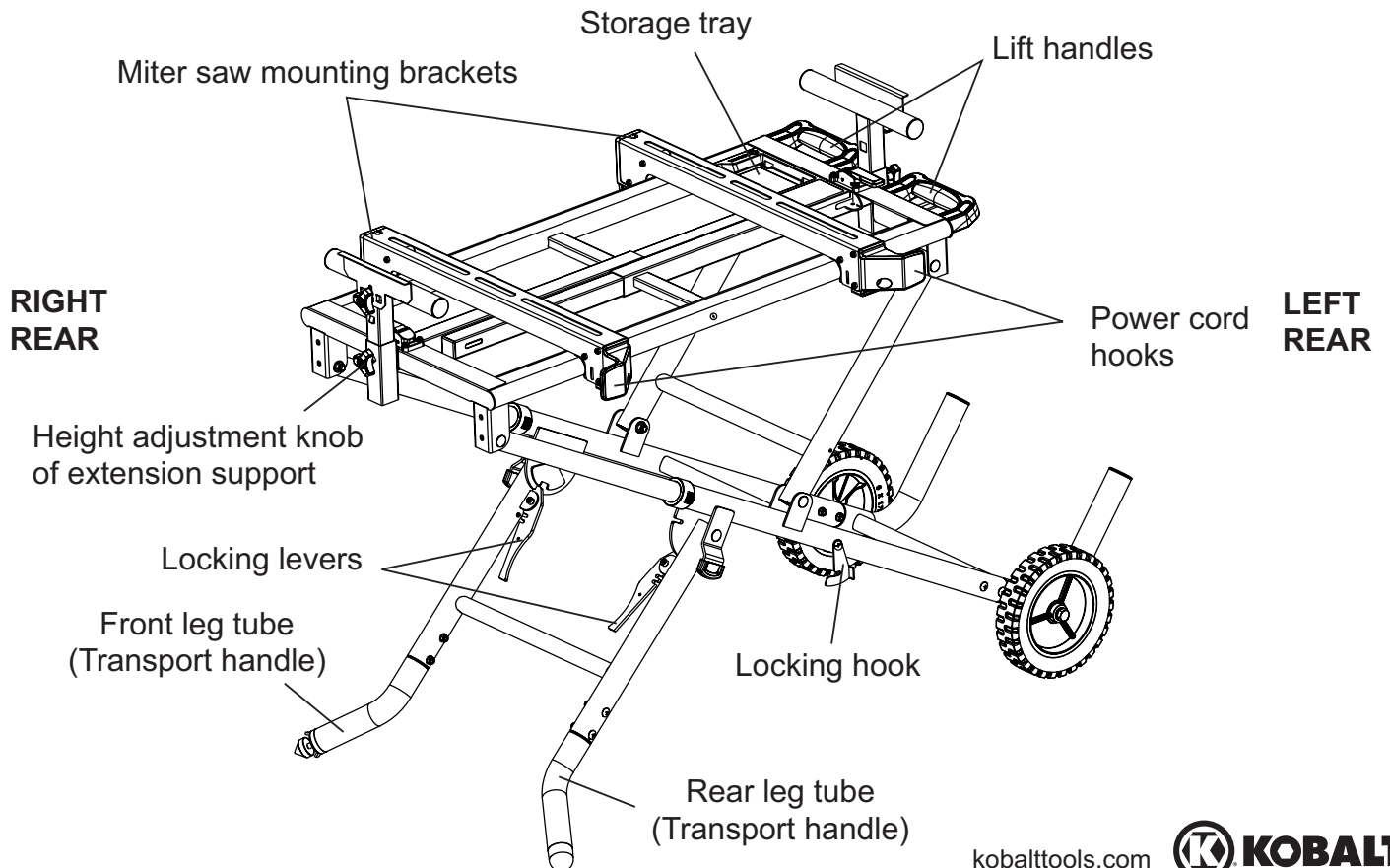
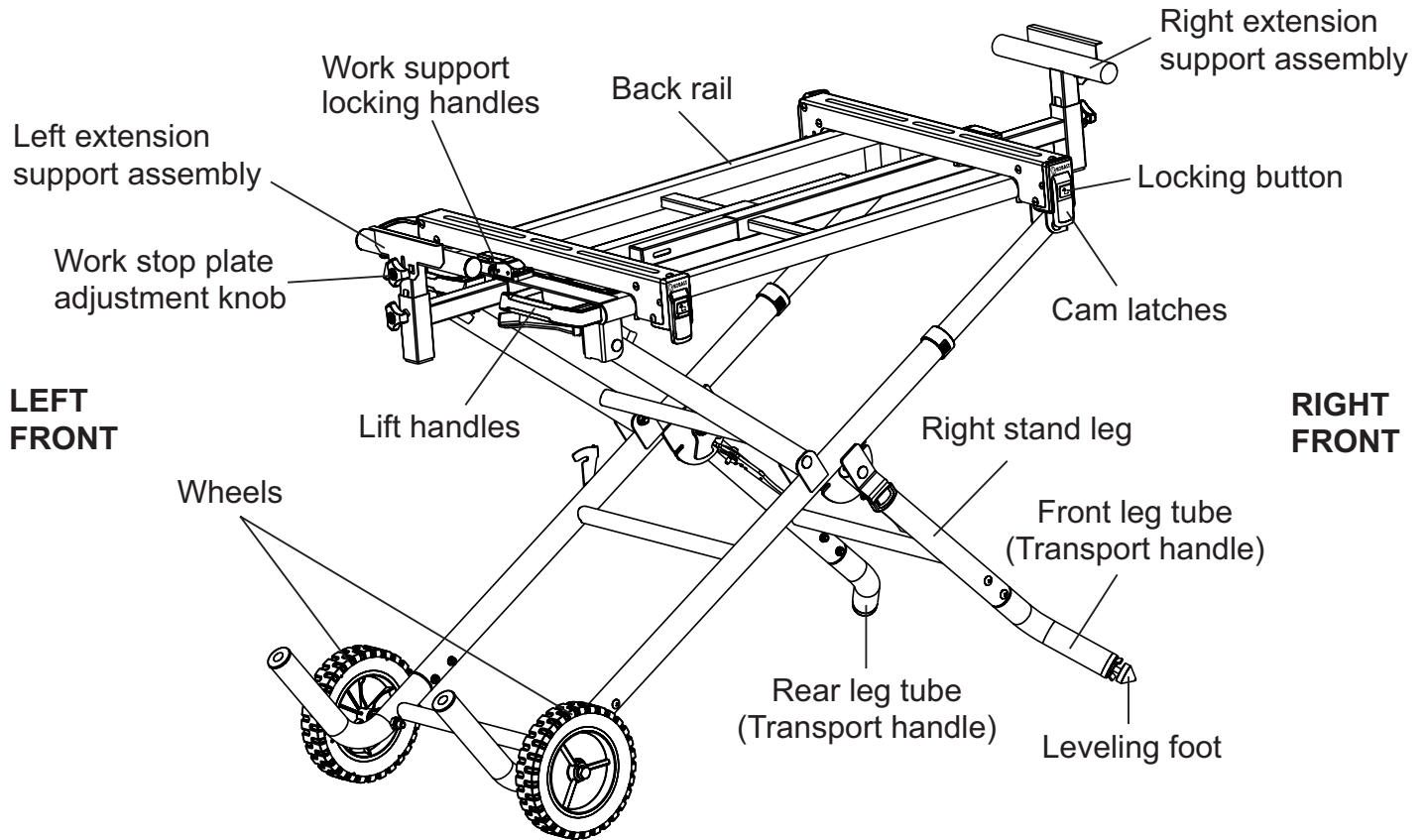
#### WARNING

- Failure to follow these rules may result in serious personal injury.
- To reduce the risk of injury, keep both hands on handle when raising and lowering the stand.

Please read and understand this entire manual before attempting to assemble, operate or install the product. These safety instructions are not meant to cover every possible condition that could occur.

- This product was designed to be used as a stand for miter saws, scroll saws, planers, benchtop sanders and grinders. The stand will support up to 300 lbs. (136.08 kg). Any misuse or abuse can result in product damage or personal injury.
- Do not stand on the work table. It is unsafe to climb, sit or stand on the stand. Do not use the extension support arms as a ladder or scaffolding.
- Properly secure the miter saw, scroll saw, planer, benchtop sander or grinder to the stand before operation. Follow the mounting instructions carefully. Fasten the tool to the saw mounting rails securely as instructed.
- Place the product on a flat and level surface to prevent rocking or tipping.
- Take care during the raising and lowering of the stand to reduce the hazard of pinching hands and fingers.
- Check the legs and other supports to see that they are properly locked in place before operation.
- Do not modify or use the stand for any operation for which it is not intended.
- When hauling the stand in a vehicle, securely tie it down to prevent movement and possible damage.
- ALWAYS use eye protection. All users and bystanders must wear eye protection that conforms to ANSI Z87.1.
- ALWAYS use safety glasses. Everyday eyeglasses are NOT safety glasses. Also use face or dust mask if cutting operation is dusty. ALWAYS WEAR CERTIFIED SAFETY EQUIPMENT:
  - ANSI Z87.1 eye protection (CAN/CSA Z94.3).
  - ANSI S12.6 (S3.19) hearing protection.
  - NIOSH/OSHA/MSHA respiratory protection.

# KNOWING THE STAND

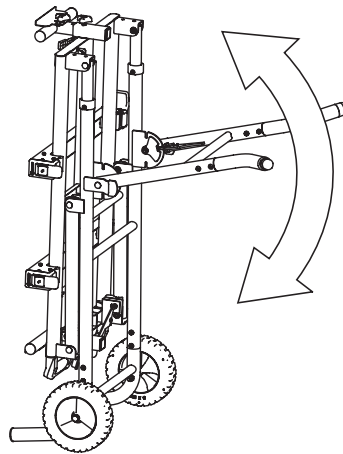


## PREPARATION

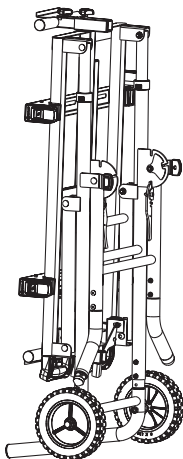
Before beginning assembly or operation of the product, make sure all parts are present. Compare parts with package contents list and hardware contents list. If any part is missing or damaged, do not attempt to assemble, install or operate the product.

**Estimated Assembly Time: 15~20 minutes**

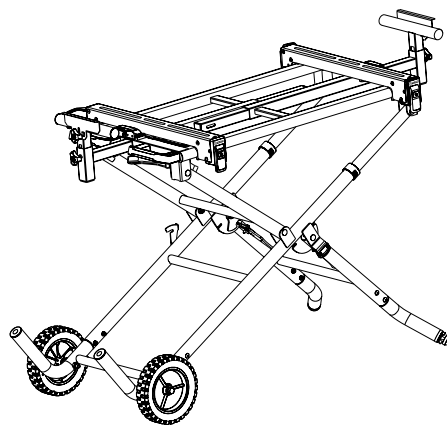
Tools required for assembly (not included): Adjustable Wrench, 10 mm Wrench, 13 mm Wrench, 17 mm Wrench, Phillips Screwdriver.



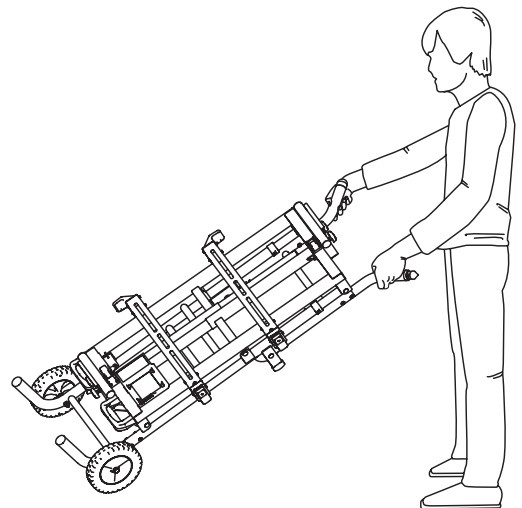
### Three Position Front/Rear Leg Tube



**Down Position  
Storage**



**Middle Position  
Saw Stand**

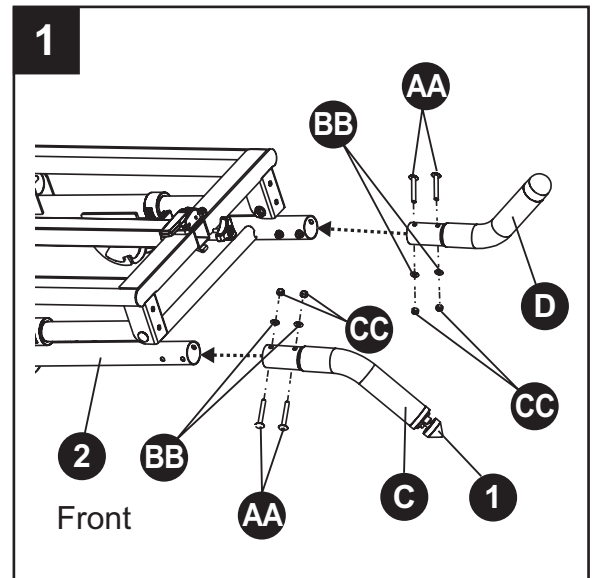


**Up Position  
Transport  
(Leg tubes used as handles)**

## ASSEMBLY INSTRUCTIONS

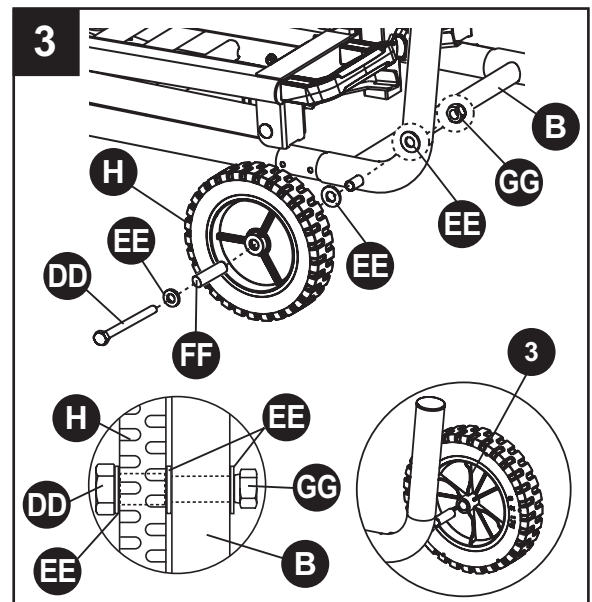
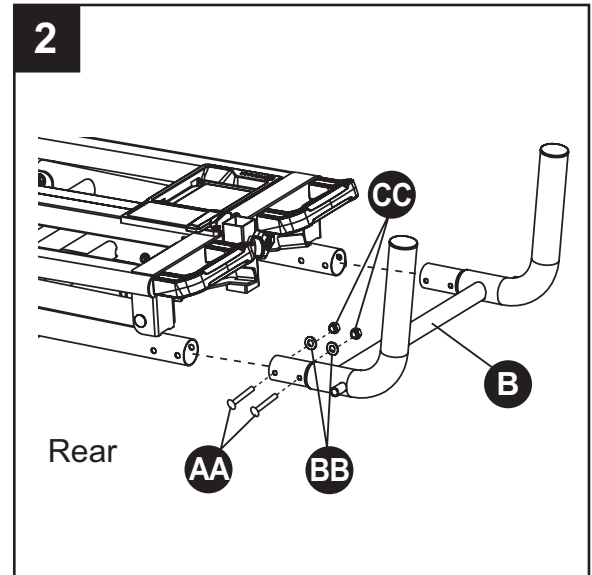
### ASSEMBLING THE RIGHT FRONT AND REAR LEG TUBES (FIG. 1)

- Unpack all parts and group them together by type and size. Refer to the parts list in order to verify the correct quantities.
- Insert the front leg tube (C) with the leveling foot (1) in the right stand leg (2) using two bolts (AA), two washers (BB) and two nuts (CC).
- Insert the rear leg tube (D) in the other side of the right stand leg (2) in the same manner.  
**NOTE:** The bent parts of the leg tubes (C, D) should point outward in opposite directions from each other.
- Tighten using a 10 mm wrench for the nuts (CC) and a Phillips screwdriver for the bolts (AA).



### ASSEMBLING THE STAND LEG (FIG. 2, 3)

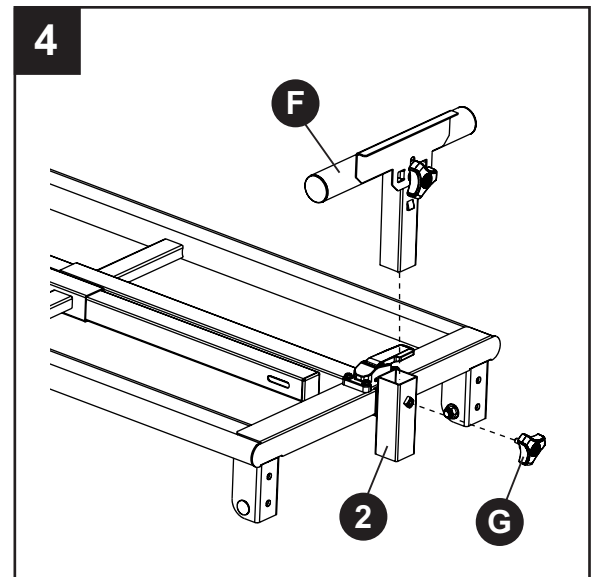
- Insert the left stand leg (B) in the other side of the stand. (Fig. 2)
- Insert two screws (AA), two flat washers (BB) and two nuts (CC) on each side of the leg.
- Attach one wheel (H) to the outer side of the stand leg using the hex bolt (DD), the sleeve (FF), three flat washers (EE) and the nut (GG). (Fig. 3)  
**NOTE:** Verify that the side of the wheel that has the most ribs (3) is facing toward the stand as shown in the insert (Fig. 3).
- Tighten using two 17 mm wrenches for the nut and bolt.
- Repeat the above steps for the other wheel.





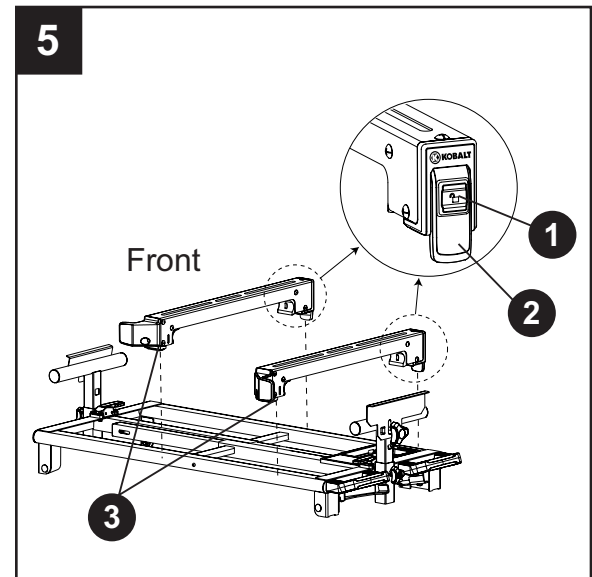
## ASSEMBLING THE EXTENSION SUPPORT ASSEMBLY (FIG. 4)

- Insert an extension support assembly (F) in the right extension support arm (2) and secure by using a height adjustment knob (G).
- Repeat on other side.



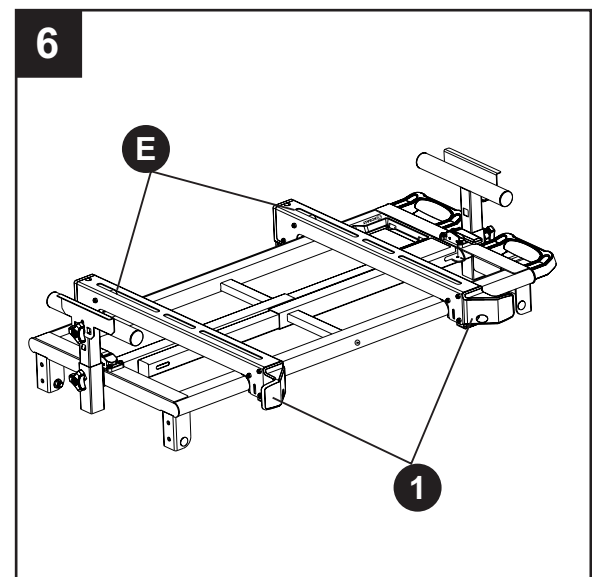
## ASSEMBLING THE SAW MOUNTING BRACKETS (FIG. 5)

- Press the locking button (1) and lift upward on the mounting bracket cam latch (2) so the rear holding clamp (3) is fully extended.
- Place the rear holding clamp (3) on the back rail of the stand, and then lower the front end of the mounting bracket over the front rail of the stand.
- Slide the mounting bracket to the desired position, and then push down the bracket cam latch (2) to lock.
- Repeat the above steps for the other mounting bracket.



## POWER CORD HOOKS (FIG. 6)

- Storage for the power cord is located on the ends of the saw mounting brackets (E). Wrap the power cord onto the hooks (1) when the saw is not in use. This can prevent damage to the power cord.

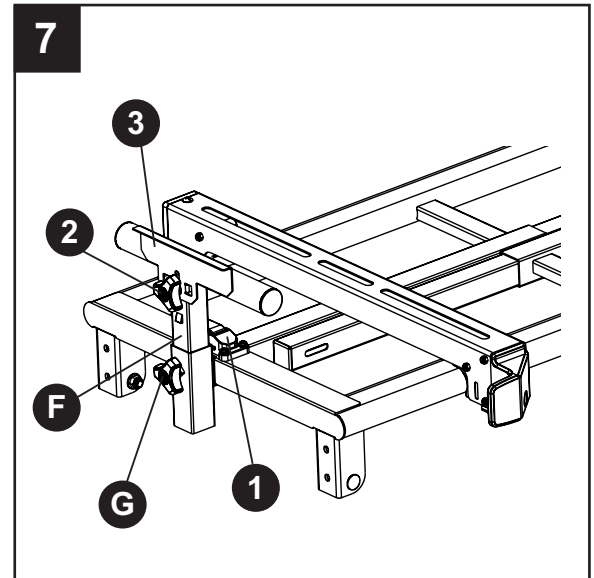


## ADJUSTMENT INSTRUCTIONS

### ADJUSTING THE EXTENSION SUPPORTS (FIG. 7)

The extension support assembly helps keep the workpiece level and stable during cutting operations.

- Lift the cam locking handle (1) up and slide the extension support assembly to the desired length. Repeat for the other extension.
- Press the locking handle (1) down to lock.
- Loosen the height adjustment knob (G) to adjust the extension support assembly (F) to the desired height and then tighten the knob.
- If repetitive cutting is required, loosen the plate adjustment knob (2) to adjust the work stop plate (3) to the desired height, and then tighten.

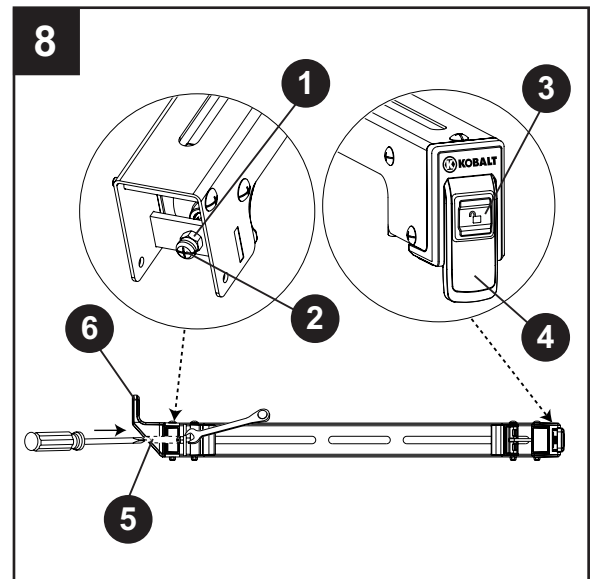


### ADJUSTING THE SAW MOUNTING BRACKETS (FIG. 8)

If the saw mounting brackets can slide over the top rails or be removed from the top rails when the bracket locking cam latches (4) are locked, the bracket adjustment screws need to be tightened. If the saw mounting brackets will not fit over the top rails, the bracket adjustment screws need to be loosened.

**NOTE:** The saw should be removed from the mounting brackets before attempting to tighten or loosen the bracket adjustment screws (2).

- Loosen the lock nut (1) using a 10 mm wrench.
- Going through the hole (5) of the power cord clamp (6), use a Phillips screwdriver to turn the adjustment screw for the saw mounting bracket. Turn the screw clockwise to tighten the bracket or counterclockwise to loosen it.



**NOTE:** If the bracket locking cam latch of the saw mounting bracket cannot easily be pushed down into the lock position, the adjustment screw is too tight. Do not force the bracket locking cam latch into the lock position. Loosen the adjustment screw to adjust it.

- Press the locking button (3) and lift up the bracket locking cam latch (4) so the rear holding clamp is fully extended.
- Install the rear holding clamp on the back rail of the stand, then lower the front end of the saw mounting bracket over the front rail of the stand to seat fully over the rails.
- Lock the bracket into place and check to make sure there is no movement.
- When the proper tension is achieved, tighten the lock nut (1) to secure.
- Repeat the above steps for the saw mounting bracket.

## OPERATING INSTRUCTIONS

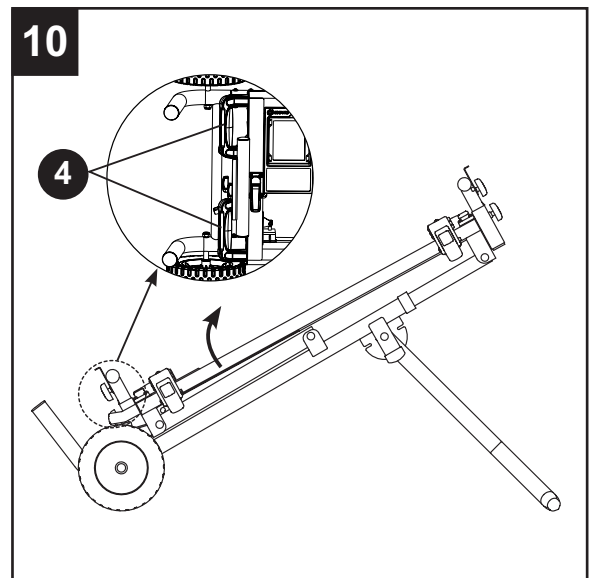
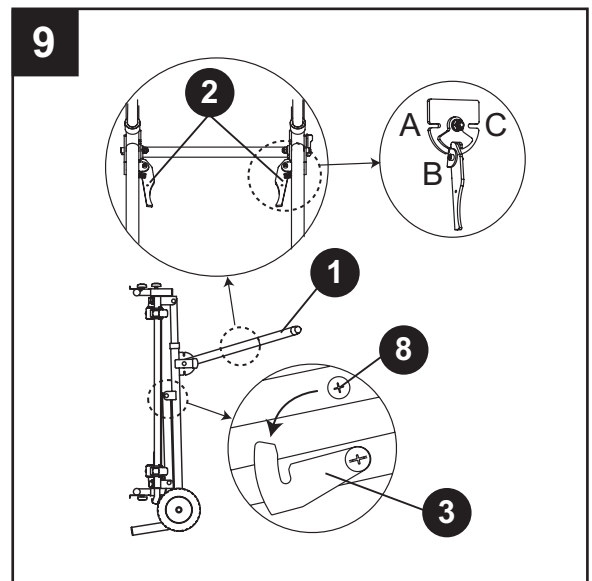
### SETTING UP THE STAND (FIG. 9, 10, 12)

- Lift the stand to its upright position.
- Unfold the right side leg (1) by releasing the locking levers (2) into slot B (middle slot), then rest the right side of the stand onto the floor. (Fig. 9, 10)

**⚠ WARNING:** To properly lock the stand legs, the two locking levers (2) MUST be secured in the slot on the cover plate.

- Release the locking hook (3) from the stop screw (8).
- Hold the two lift handles (4) located on the left side of the stand and slowly lift the stand top upward to its highest position. The stand should lock into place securely. (Fig. 10)

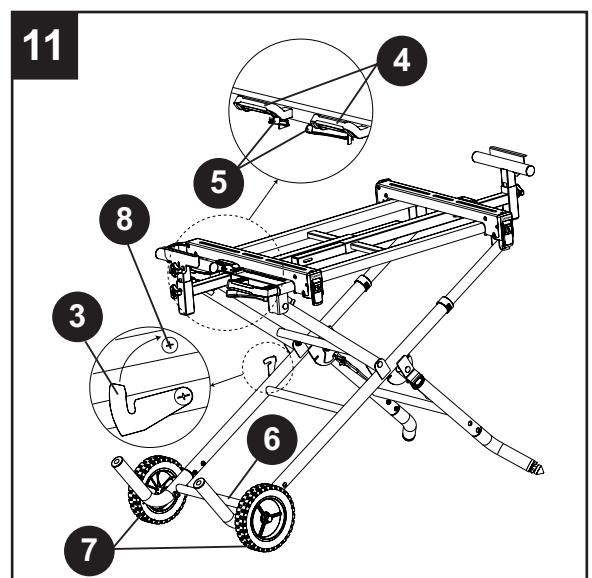
**⚠ WARNING:** DO NOT MOUNT ANY TOOL UNLESS THE STAND TOP IS SECURELY LOCKED.



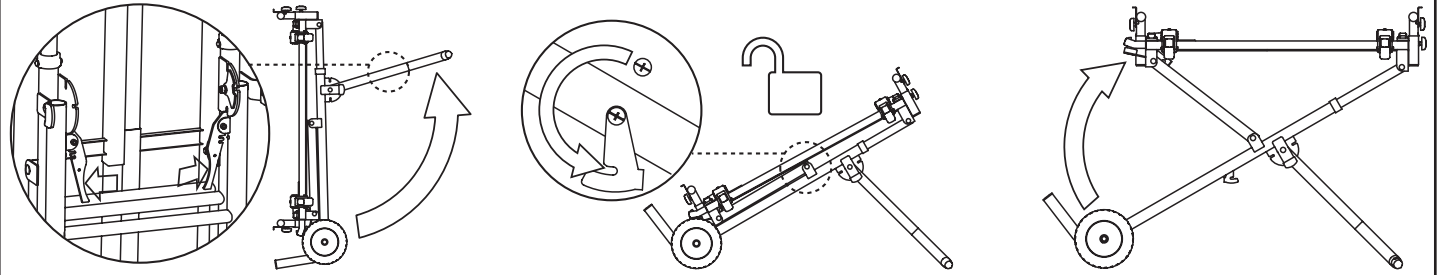
### FOLDING THE STAND (FIG. 9, 11, 12)

- Hold the two lift handles (4), step on the bottom left stand leg (6) and then lift up on the lift handles slightly. (Fig. 11)
- Press in on the two locking levers (5), located under the lift handles, with your thumbs and slowly lower the stand top to its lowest position.
- Rotate the locking hook (3) to the stop screw (8) and secure the legs of the stand into position.
- Raise the right side of the stand to place the stand in its upright position.
- Fold the right stand leg (1) to the stand body by releasing the two locking levers (2) (Fig. 9) from slot B to either slot A (for storage) or slot C (for transport). When in transport mode, use the two legs as handles.

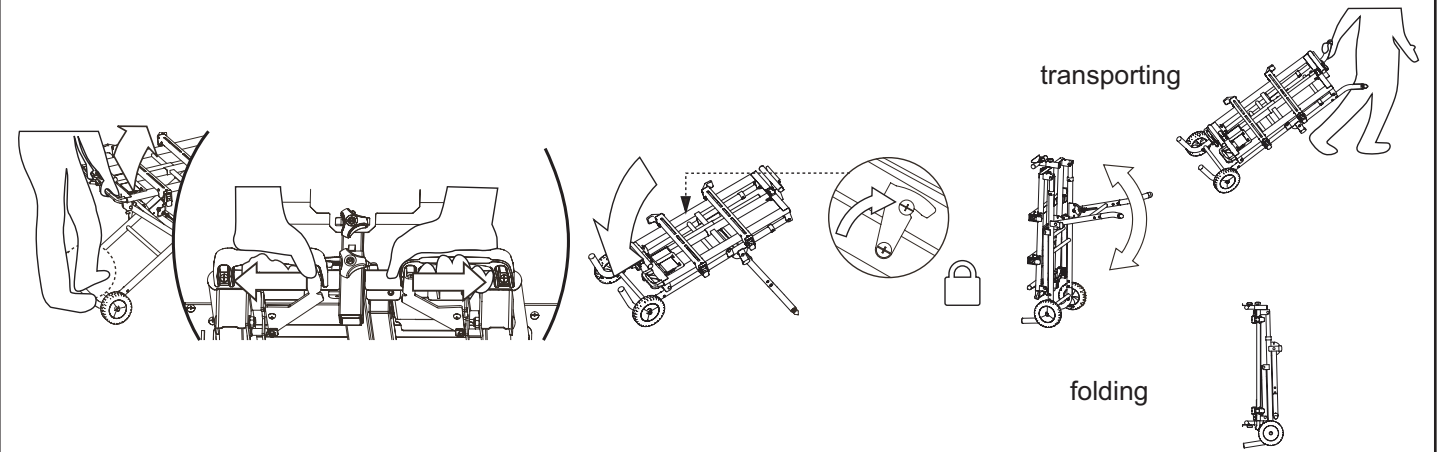
**NOTE:** Also see the instructions on the stand before operating.



### Setting up the stand



### Transporting / folding the stand



## ATTACHING THE SAW TO THE MOUNTING BRACKETS (FIG. 13, 14)

Always position the saw to achieve maximum balance and stability. All four corners of the saw must be bolted securely to the saw mounting brackets before use. Make sure bolts do not extend above the table of the saw.

**NOTE:** Only four sets of securing hardware are provided with the stand. Each set includes a bolt, two washers and a nut. If the provided hardware does not work with your saw, use hardware that will properly secure your saw.

**⚠ WARNING:** Ensure that the saw mounting brackets can be clamped securely on the stand before mounting the saw.

### If the saw has mounting holes that line up with the slots in the saw mounting brackets:

- Unplug the saw and lock the cutting head to its down position. Place the two mounting brackets onto a stable, flat surface.
- Position the brackets to match the distance of the mounting holes on the saw base. Place the saw onto each bracket.

**NOTE:** If the saw is heavy/large, get someone's assistance to position the brackets under the saw.

**NOTE:** You can also place the saw onto two wood supports (1) (not included) and then position the mounting brackets (2) under the saw.

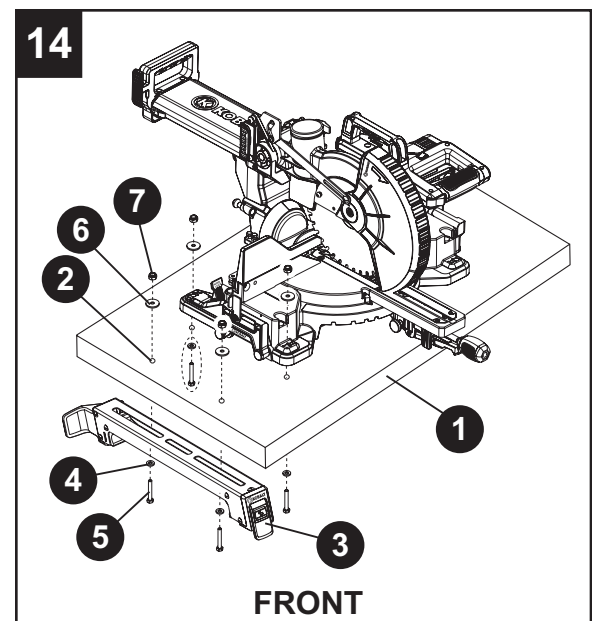
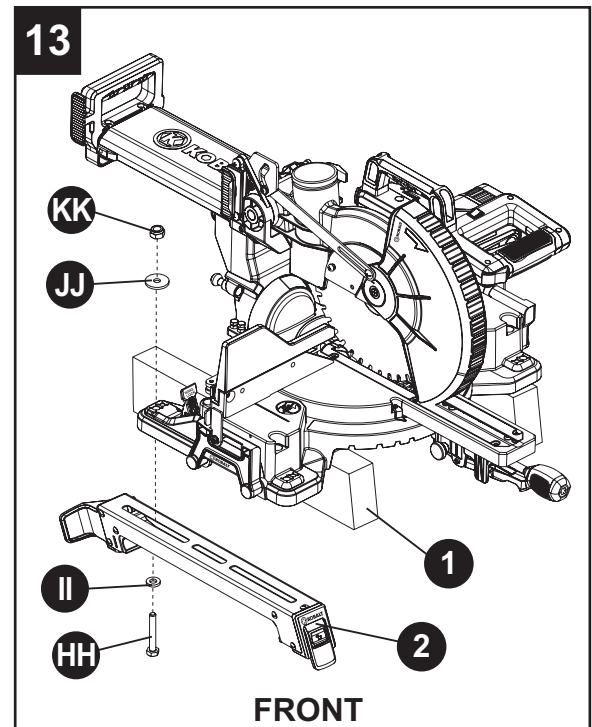
- Insert two bolts (HH) and two flat washers (II) under the bracket slot and into the two mounting holes on the left side of the saw base. Place a flat washer (JJ) and a nut (KK) onto each bolt.
- Tighten using two 13 mm wrenches.

**NOTE:** Do not overtighten the nuts until the saw base is properly aligned on the brackets.

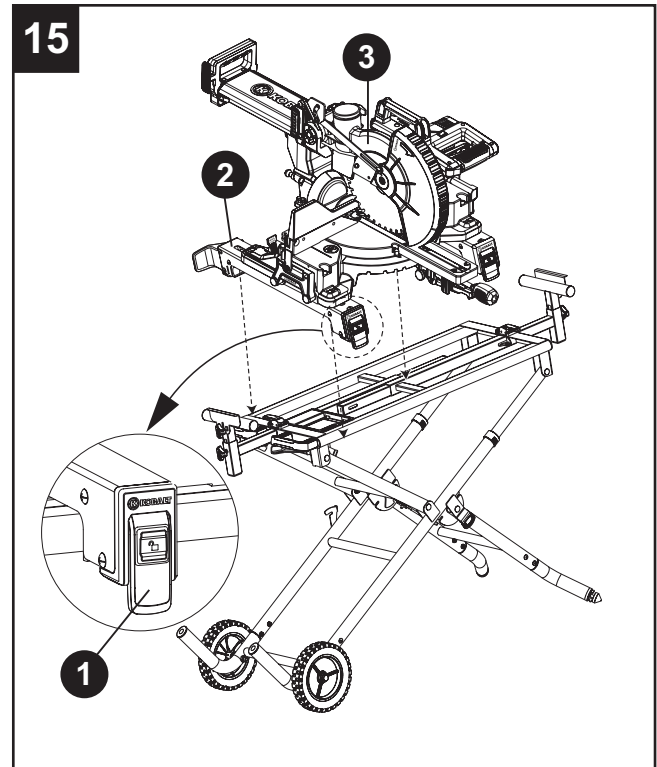
- Repeat the above steps to attach the right side of the saw base to the other mounting bracket.
- After checking that both mounting brackets are parallel to each other, tighten all four nuts to hold the saw in position.

### If the saw has holes that do not line up with the slots on the saw mounting brackets:

- Unplug the saw and lock the cutting head to its down position.
- Mount the saw onto a wood board (1) at least 1/2 in. thick (not included).



- Mark the four mounting holes from the saw base onto the wood board using a pencil or pen (not included). Take the saw off the board.
- Drill 1/4 in. diameter holes through the board at each location.
- Turn the board over and place the two mounting brackets (3) on the board. The brackets should be placed outside of the four holes just drilled. Mark four points through the slots, two on each bracket, using a pencil or pen, then remove the brackets.
- Drill 1/4 in. diameter holes (2) through the board at each marked location.
- Mount the two saw brackets to the board using the four drilled holes and four bolts (5), eight washers (4, 6) and four nuts (7).  
**NOTE:** Hardware for this is NOT provided with the saw.
- Turn the board over and mount the saw to the four drilled holes using the provided securing hardware.
- Tighten all bolts and nuts before mounting the saw assembly to the stand.



#### MOUNTING THE SAW TO THE STAND (FIG. 15)

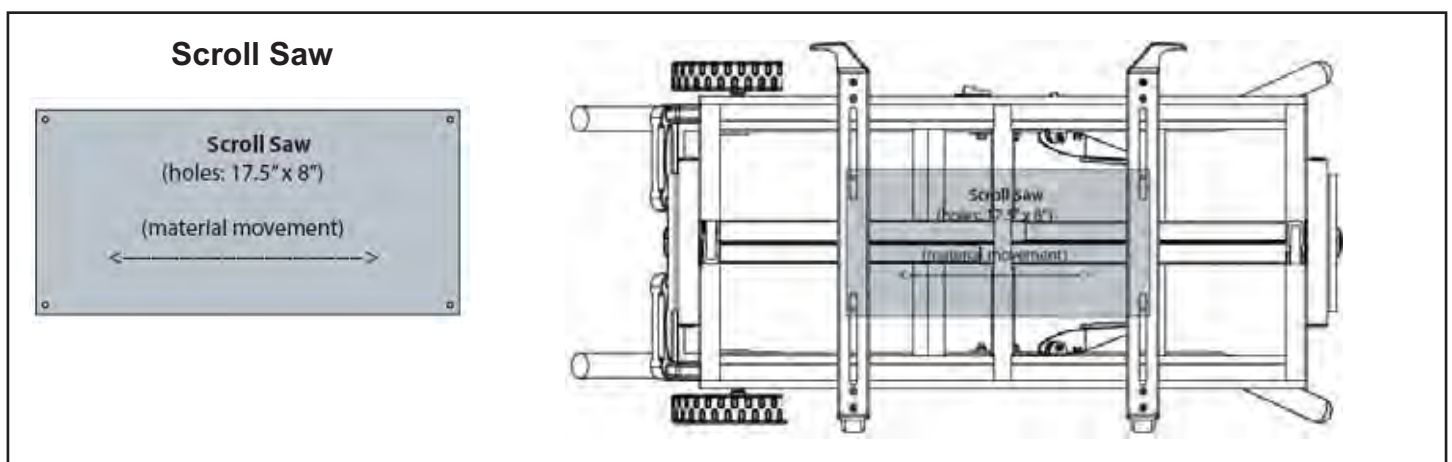
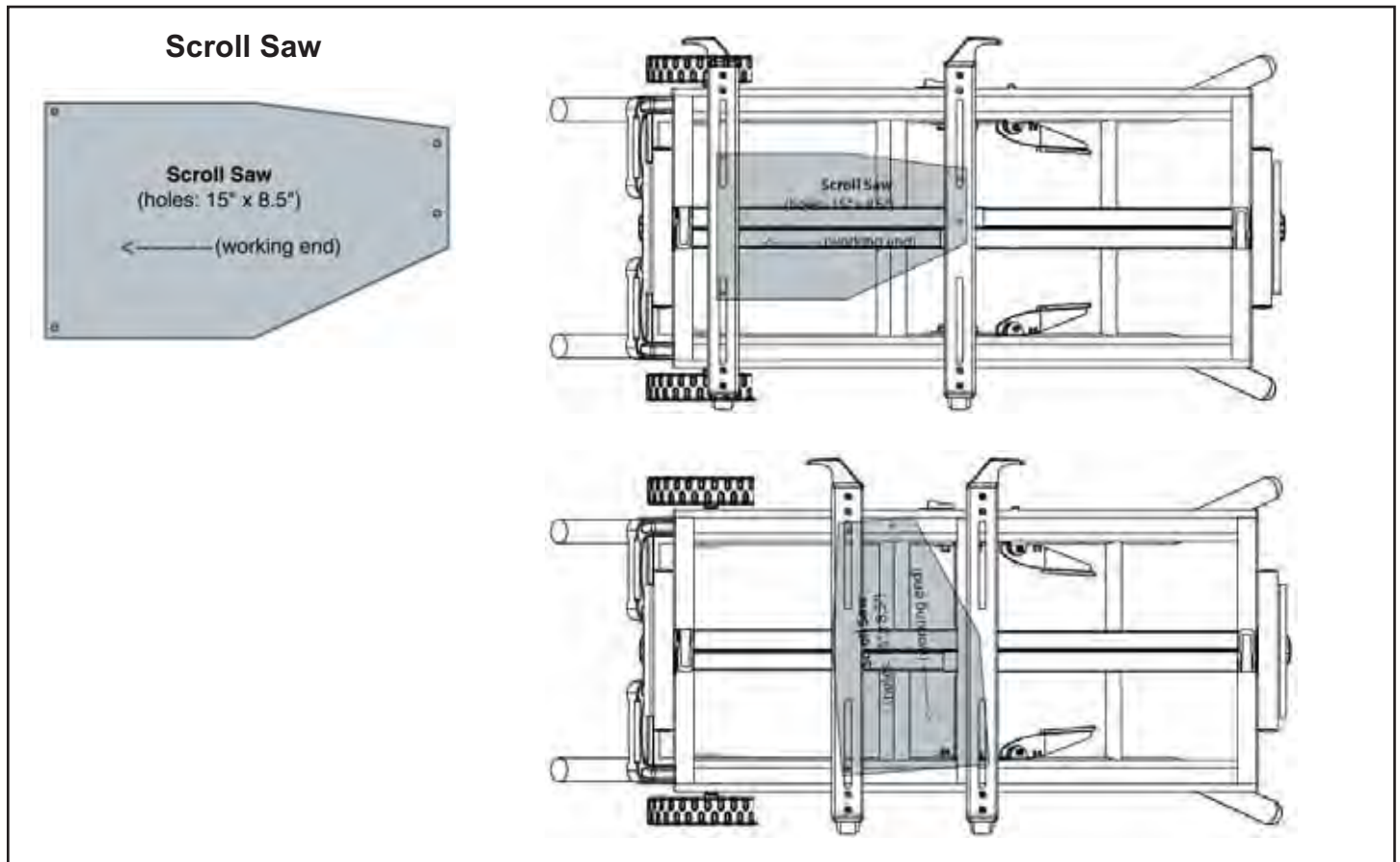
**⚠ WARNING:** Do not mount the saw to the stand without first ensuring the stand is extended fully and locked securely. Failure to do so may result in possible injury and damage to the stand and the saw.

- Make sure the lock handles (1) of the saw mounting brackets (2) are in the unlocked position.
- Lift the rear end of the saw assembly (the saw on the mounting brackets) onto the back rail. The rear holding clamps on the saw mounting brackets (2) must seat fully onto the back rail.
- Lower the front end of the saw assembly onto the front rail. The front holding clamps on the saw mounting brackets must seat fully on the front rail.
- Lock the brackets in position by pressing down on the two locking cam latches (1).
- Check the position of the assembly on the stand and adjust if needed.  
**NOTE:** Make sure the weight of the saw assembly is evenly distributed over the rails.

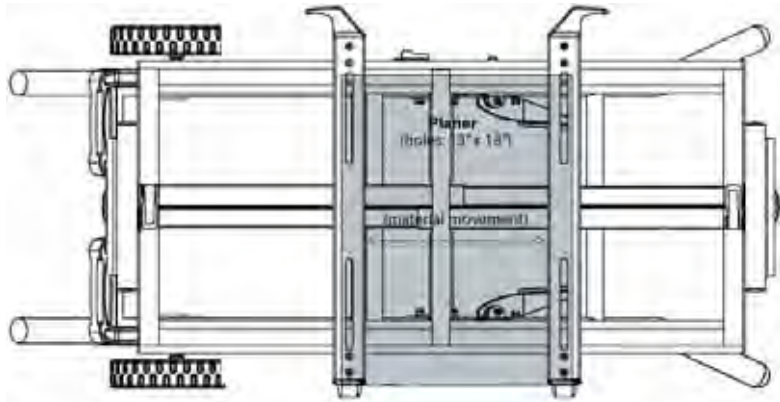
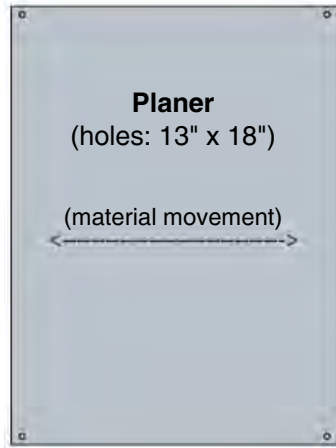
## MOUNTING OTHER MACHINES TO THE STAND

This stand was designed to be used for miter saws. However, other tools such as scroll saws, planers, benchtop sanders and grinders can be mounted if needed. The following drawings show how to position the machine on the top of the stand.

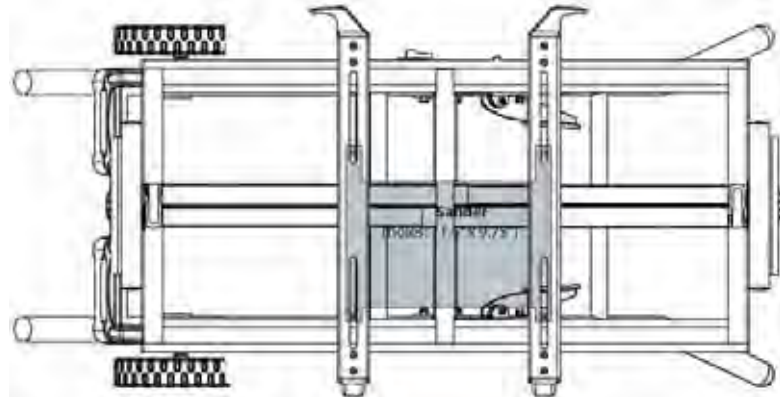
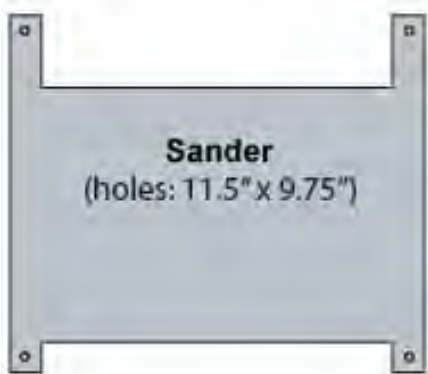
**NOTE: NOT FOR USE WITH TABLE SAWS.**



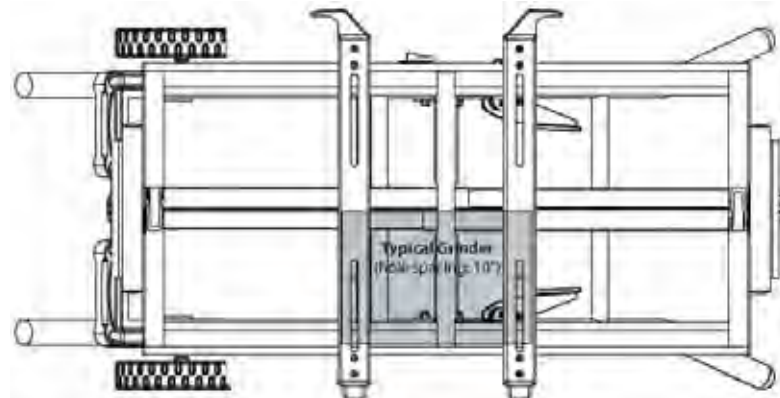
## Planer



## Sander



## Typical Grinder

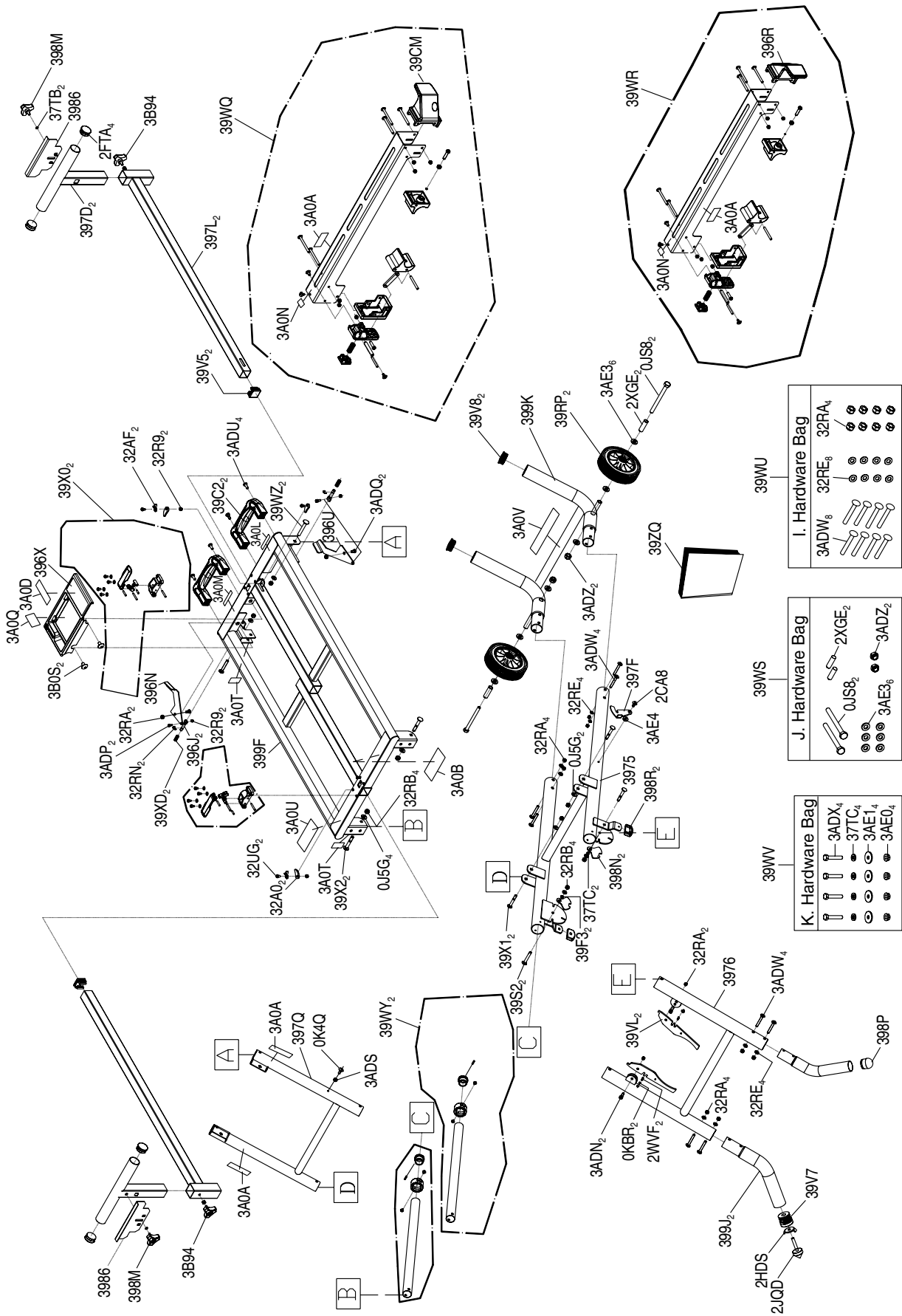




## REPLACEMENT PARTS LIST

I.D.	Description	Size	Q'ty	I.D.	Description	Size	Q'ty
0J5G	FLAT WASHER	φ8*18-1.5	6	39S2	CAP HD. SQ. NECK BOLT	M8*1.25-65	2
0JS8	HEX. HD. BOLT	M10*1.5-115	2	39V5	END CAP		2
0K4Q	CR. RE. TRUSS HD. SCREW	M6*1.0-15	1	39V7	END CAP		1
0KBR	CR. RE. PAN HD. TAPPING SCREW	M3.5*20-8	2	39V8	END CAP		2
				39VL	PLUNGER HANDLE		2
2CA8	CR. RE. TRUSS HD. ROUND NECK SCREW	M6*1.0-12	1	39WQ	MOUNTING BRACKET (LEFT)		1
2FTA	END CAP		4	39WR	MOUNTING BRACKET (RIGHT)		1
2HDS	WING NUT	M8*1.25-2B	1				
2JQD	LEVELING FOOT		1	39WS	HARDWARE BAG - J		1
2WVF	COMPRESSION SPRING		2	39WU	HARDWARE BAG - I		1
2XGE	SLEEVE		2	39WV	HARDWARE BAG - K		1
32A0	BRACKET STOP		2	39WY	CONNECTOR TUBE ASSEMBLY		2
32AF	SPRING		2				
32R9	NUT CHUCK	M5*0.8 T=5	4	39WZ	CAP HD. SQ. NECK BOLT	M8*1.25-60	2
32RA	NUT CHUCK	M6*1.0 T=6	12	39X0	LOCKING HANDLE ASSEMBLY		2
32RB	NUT CHUCK	M8*1.25 T=8	8				
32RE	FLAT WASHER	φ6*18-1.5	8	39X1	CAP HD. SQ. NECK BOLT	M8*1.25-55	2
32RN	E-RING		2	39X2	CAP HD. SQ. NECK BOLT	M8*1.25-50	2
32UG	CR. RE. TRUSS HD. ROUND NECK SCREW	M5*0.8-15	2	39XD	COMPRESSION SPRING		2
				39ZQ	OPERATOR'S MANUAL		1
37TB	FLAT WASHER	φ6*13-1	2	3A0A	TRADEMARK LABEL		4
37TC	FLAT WASHER	φ8*16-2.5	6	3A0B	ASSEMBLY LABEL		1
396J	BOLT		2	3A0D	WARNING LABEL		1
396N	HANDLE		1	3A0L	CAUTION LABEL		1
396R	POWER CORD HOOK (RIGHT)		1	3A0M	CAUTION LABEL		1
396U	LOCK HANDLE		1	3A0N	CAUTION LABEL		2
396X	STORAGE TRAY		1	3A0Q	WARNING LABEL		1
3975	SUPPORTING TUBE ASSEMBLY		1	3A0T	WARNING LABEL		2
3976	RIGHT LEG SUPPORT		1	3A0U	WARNING LABEL		1
397D	EXTENSION WING BRACKET ASSEMBLY		2	3A0V	STICKER		1
				3ADN	HEX. SOC. HD. CAP BOLT	M6*1.0-20	2
397F	LOCKING HOOK		1	3ADP	HEX. SOC. HD. CAP BOLT	M5*0.8-16	2
397L	UPPER TUBE ASSEMBLY		2	3ADQ	CR. RE. PAN HD. ROUND NECK SCREW	M6*1.0-14	2
397Q	RIGHT BRACKET ASSEMBLY		1				
3986	WORK STOP PLATE		2	3ADS	HEX. NUT	M6*1.0 T=5	1
398M	HANDLE		2	3ADU	CR. RE. PAN HD. SCREW	M6*1.0-16	4
398N	STOPPER		2	3ADW	CR. RE. TRUSS HD. SCREW	M6*1.0-45	8
398P	LEVELING PAD		1	3ADX	HEX. HD. BOLT	M8*1.25-45	4
398R	PLASTIC SLEEVE		2	3ADZ	NUT CHUCK	M10*1.5 T=10	2
399F	LEG ASSEMBLY		1	3AE0	SERRATED TOOTHED HEX. FLANGE NUT	M8*1.25 T=7.5	4
399J	BRACKET		2				
399K	STIFFENER		1	3AE1	FLAT WASHER	φ8*28-2.5	4
39C2	HANDLE		2	3AE3	FLAT WASHER	φ10*20-3	6
39CM	POWER CORD HOOK (LEFT)		1	3AE4	FLAT WASHER	φ6.3*15-4	1
39F3	BUSH		2	3B0S	CR. RE. TRUSS HD. SCREW	M5*0.8-8	2
39RP	8 IN. WHEEL		2	3B94	HANDLE		2

**EXPLODED VIEW**



## WARNING LABEL REPLACEMENT

If your warning labels become illegible or are missing, call 1-888-356-2258 for a free replacement.

### ⚠ WARNING!

#### FOR YOUR OWN SAFETY READ INSTRUCTION MANUAL BEFORE USING THIS PRODUCT

1. Read and follow all safety instructions for the tool being mounted when using this stand.
2. Do not stand on or use as a ladder or scaffolding.
3. Do not exceed maximum total load of 300 pounds (136.08 kg).
4. Make sure the tool is properly secured before operating.
5. Make sure all latches and supports are securely engaged and all knobs are tight before operating.
6. Attach tool to mounting brackets using nuts and bolts ONLY.
7. Use stand on flat, level surfaces ONLY to avoid rocking or tipping.
8. Stand with tool attached may be heavy. Do not attempt to lift alone.
9. Extra support may be needed when cutting larger materials.
10. To avoid injury, lift with the handles ONLY.

### 3A0Q

### ⚠ AVERTISSEMENT!

#### POUR VOTRE SÉCURITÉ, VEUILLEZ LIRE LE MANUEL D'INSTRUCTIONS AVANT D'UTILISER CE PRODUIT

1. Lisez et suivez toutes les consignes de sécurité liées à l'outil que vous installez sur ce support.
2. Ne vous tenez pas debout sur l'article et ne l'utilisez pas comme une échelle ou un échafaudage.
3. Ne dépassez pas la charge maximale de 136,08 kg.
4. Assurez-vous que l'outil est bien fixé avant de le mettre en marche.
5. Avant de mettre l'outil en marche, assurez-vous que tous les loquets et les dispositifs de soutien sont fermement enclenchés et que tous les boutons sont serrés.
6. Fixez l'outil aux supports de fixation à l'aide d'écrous et de boulons SEULEMENT.
7. Utilisez SEULEMENT le support sur des surfaces planes et de niveau afin de prévenir le balancement et le basculement.
8. Le support peut être lourd lorsqu'un outil y est fixé. Ne tentez pas de le soulever seul.
9. Des dispositifs de soutien supplémentaires peuvent être nécessaires pour la coupe de grands matériaux.
10. Pour prévenir les blessures, soulevez l'article par les poignées SEULEMENT.

### ⚠ ¡ADVERTENCIA!

#### POR SU PROPIA SEGURIDAD, LEA EL MANUAL DE INSTRUCCIONES ANTES DE UTILIZAR EL PRODUCTO

1. Lea y siga todas las instrucciones de seguridad para la herramienta que va a colocar al utilizar esta base.
2. No se suba a la unidad ni la use como escalera o andamio.
3. No supere la carga máxima total de 136,08 kg.
4. Asegúrese de que la herramienta esté debidamente asegurada antes de operarla.
5. Asegúrese de que todos los pestillos y soportes estén enganchados firmemente y que todas las perillas estén ajustadas antes de operar la herramienta.
6. Fije la herramienta a cada abrazadera de montaje con las tuercas y los pernos SOLAMENTE.
7. Utilice la base sobre superficies niveladas y planas SOLAMENTE para evitar que se balancee o se incline.
8. La base junto con la herramienta pueden ser pesadas. No intente levantarlo solo.
9. Se puede requerir de un soporte adicional al cortar los materiales más grandes.
10. Para evitar lesiones, levante con las manijas SOLAMENTE.

### 3A0D

### ⚠ WARNING! / AVERTISSEMENT! / ¡ADVERTENCIA!

Fully retract and tighten the extension with cam lock before folding stand.

Rétractez et serrez complètement la rallonge à attache Camloc avant de plier le support.

Ajuste y retroceda por completo la extensión con el cerrojo de leva antes de doblar la base.

### 3A0U



### 3A0T

# STEP HERE/POSEZ LE PIED ICI/APÓYESE AQUÍ

### 3A0V

## **WARRANTY**

---

The manufacturer will offer replacement parts for this product which under normal usage have proven to be defective in their manufacture or workmanship for a period of THREE (3) years from the date of initial retail purchase. This warranty is valid only to the original purchaser. This warranty is not transferable and does not cover any parts that have been subjected to misuse, abuse, alteration, overload, accident or normal wear of moving parts. Tools that have been sold "as is," sold reconditioned or used as rental equipment are not covered.

Warranty replacement parts can be obtained by contacting the manufacturer at 1-888-3KOBALT. Only the manufacturer is authorized to perform warranty service on this product. This warranty does not apply to accessories or damage caused where repairs have been made or attempted by others.

The manufacturer is not responsible for direct, indirect, incidental or consequential damages. Some states do not allow limitations on how long an implied warranty lasts and/or do not allow the exclusion or limitation of incidental damages, so the above limitations may not apply to you. This warranty gives you specific legal rights, and you may also have other rights, which vary from state to state.

The manufacturer makes no warranties, representations or promises as to the quality of its power tools other than those specially stated in this warranty.

### **WARRANTY VOID IF PRODUCT USED FOR COMMERCIAL PURPOSES.**

For replacement parts, call our customer service department at 1-888-3KOBALT (1-888-356-2258).

Printed in China

Kobalt & K Design® is a registered trademark of LF, LLC. All rights reserved.

kobalttools.com 