



Electric Pressure Washer
OPERATOR'S MANUAL
POWERflow+ TECHNOLOGY™



This pressure washer is rated in accordance to the Pressure Washer Manufacturers Association (PWMA) standard PW101-2010 (Testing and Rating Performance of Pressure Washers).

BRIGGS & STRATTON POWER PRODUCTS GROUP, LLC
MILWAUKEE, WISCONSIN, U.S.A.

Manual No. 80007181 Revision A

Thank you for purchasing this quality-built Briggs & Stratton® electric pressure washer. We are pleased that you've placed your confidence in the Briggs & Stratton brand. When operated and maintained according to the instructions in this manual, your Briggs & Stratton electric pressure washer will provide many years of dependable service.

This manual contains safety information to make you aware of the hazards and risks associated with electric pressure washers and how to avoid them. Because Briggs & Stratton does not necessarily know all the applications this electric pressure washer could be used for, it is important that you read and understand these instructions thoroughly before attempting to start or operate this equipment. **Save these original instructions for future reference.**

This electric pressure washer requires final assembly before use. Refer to the *Assembly* section of this manual for instructions on final assembly procedures. Follow the instructions completely.

Where to Find Us

You never have to look far to find Briggs & Stratton support and service for your electric pressure washer. Consult your Yellow Pages. There are over 30,000 Briggs & Stratton authorized service dealers worldwide who provide quality service. You can also contact Briggs & Stratton Customer Service by phone at **(800) 743-4115**, or on the Internet at BRIGGSandSTRATTON.COM.

Electric Pressure Washer

Model Number	<input type="text"/> <input type="text"/> <input type="text"/> <input type="text"/> <input type="text"/> <input type="text"/> <input type="text"/> <input type="text"/>
Revision	<input type="text"/> <input type="text"/>
Serial Number	<input type="text"/> <input type="text"/> <input type="text"/> <input type="text"/> <input type="text"/> <input type="text"/> <input type="text"/> <input type="text"/> <input type="text"/> <input type="text"/> <input type="text"/> <input type="text"/> <input type="text"/> <input type="text"/> <input type="text"/>

Date Purchased

Not for
Reproduction

Copyright © 2013. Briggs & Stratton Power Products Group, LLC
Milwaukee, WI, USA. All rights reserved.
Briggs & Stratton Power Products is a registered
trademark of Briggs & Stratton Corporation
Milwaukee, WI, USA

Table of Contents

Operator Safety	4
Equipment Description	4
Important Safety Information	4
Assembly	7
Unpack Electric Pressure Washer	7
Prior to Operation	7
Assemble Handle to Hose Reel	7
Assemble Handle to Main Unit	7
Lubricate O-Rings	7
Connect Hoses and Water Supply	8
Connect Nozzle Extension and 7-in-1 Nozzle	8
Checklist Before Starting Pump Motor	8
Servicing of a Double-Insulated Appliance	8
Features and Controls	9
Operation	10
How to Start Your Electric Pressure Washer	10
How to Stop Your Electric Pressure Washer	11
How to Use 7-in-1 Nozzle	11
Applying Detergent	12
Electric Pressure Washer Rinsing	12
How to Store Accessories	12
Maintenance	13
General Recommendations	13
Electric Pressure Washer Maintenance	13
Nozzle Maintenance	14
Pump and Motor Maintenance	14
After Each Use	14
Winter or Long Term Storage	15
Initial Storage Procedures	15
Protecting the Pump	15
Final Storage Procedures	15
Troubleshooting	16
Warranty	17
Electric Pressure Washer Owner Warranty	17
Product Specifications	18

Operator Safety

SAVE THESE INSTRUCTIONS

Equipment Description



WARNING Failure to read and follow the operator's manual and all operating instructions before using could result in death or serious injury.

- Read this manual carefully and become familiar with your electric pressure washer. Know its applications, its limitations, and any hazards involved.

Every effort has been made to ensure that the information in this manual is accurate and current. However, we reserve the right to change, alter, or otherwise improve the product and this document at any time without prior notice.

POWERflow+ Technology

POWERflow+ Technology is a deep cleaning pressure washer with both high pressure to lift dirt AND high flow to easily wash it away. In the high flow mode, POWERflow+ Technology enhances the cleaning experience by providing extended reach, power soaping, and faster rinsing capabilities.

The force behind POWERflow+ is in the pump with two separate cleaning modes: high pressure and high flow. The high-pressure mode delivers up to 1800 PSI (pounds square inch) and is ideal for cleaning the toughest stains, mildew and grime from decks, driveways and siding, while the high-flow mode delivers up to 4 GPM (gallons per minute) to power-rinse away dirt, soap and debris. The high flow mode also makes it the best to use for washing delicate surfaces such as patio furniture, vehicles, and children's outdoor play sets and toys.

Briggs & Stratton's POWERflow+ Technology is a system of components working in concert to deliver the high-flow capability. Water is sent from the pump to the specially designed 26 ft. hose and into the custom-engineered POWERflow+ gun with soft grip handle. Water then flows into the exclusive 7-in-1 nozzle that allows user to change from High Pressure to High Flow, without changing nozzle tips, and propels the stream up to 30 ft.

Ground Fault Circuit Interrupter Protection

This pressure washer is provided with a ground-fault circuit-interrupter (GFCI) built into the plug of the power supply cord. This device provides additional protection from the risk of electric shock. Should replacement of the plug or cord become necessary, use only identical replacement parts that include GFCI protection.

Automatic Shut-Off

The electric pressure washer is equipped with a sensor that will detect that water flow has stopped when releasing or locking the spray gun trigger. The sensor will cause the motor to shut off for as long as the spray gun trigger is released or locked.

If the motor continues to run when the spray gun trigger is released or locked, DO NOT USE THE MACHINE. Call the electric pressure washer helpline at **(800) 743-4115** for assistance.

NOTICE The electric pressure washer is equipped with a main power ON/OFF switch. The switch should always be moved to the OFF position (0) when the electric pressure washer is not being used to prevent possible damage.

Motor Overload

The electric motor in this electric pressure washer is equipped with an overload protection device (thermostat). This device will automatically shut off the motor if the motor overheats or draws excessive current.

If the overload protection device is tripped, disconnect the power supply by turning the master ON/OFF switch to the OFF (0) position. Let unit cool for 30 minutes. Then turn the master ON/OFF switch to the ON (I) position to resume operation.

Important Safety Information

Please read and understand this entire manual before attempting to assemble, operate or service the product. Follow the maintenance instructions specified in this manual. If you have any questions regarding the product, please call customer service at **(800) 743-4115**, 8 a.m. - 5 p.m., CST, Monday - Friday.

Safety Symbols and Meanings



Read Manual



Electrical Shock



Fire



Slippery Surface



Fall



Fluid Injection



Projectile



Flying Objects



Chemical Burn

⚠ The safety alert symbol indicates a potential personal injury hazard. A signal word (DANGER, WARNING, or CAUTION) is used with the alert symbol to designate a degree or level of hazard seriousness. A safety symbol may be used to represent the type of hazard. The signal word NOTICE is used to address practices not related to personal injury.

⚠ **DANGER** indicates a hazard which, if not avoided, *will* result in death or serious injury.

⚠ **WARNING** indicates a hazard which, if not avoided, *could* result in death or serious injury.

⚠ **CAUTION** indicates a hazard which, if not avoided, *could* result in minor or moderate injury.

NOTICE address practices not related to personal injury.

For Servicing of a Double-Insulated Appliance, See Assembly Section.



WARNING Risk of electrocution. Use of an extension cord could cause electric shock or burn resulting in death or serious injury.

- DO NOT use an extension cord with this electric pressure washer. Your home's electrical circuit receptacle or extension cord may not provide lifesaving ground-fault circuit-interruption protection.



WARNING Risk of electrocution. Contacting both power conductors, at the same time could cause electric shock or burn resulting in death or serious injury.

- Inspect cord before each use, DO NOT use if cord is damaged.
- The product is equipped with a ground fault circuit interrupter (GFCI) built into the power cord plug. If replacement of the plug or cord is required, use only identical replacement parts.
- Keep all connections dry and off the ground.
- DO NOT touch plug with wet hands.
- DO NOT run cord through doorways, windows, holes in ceilings, walls, or floors.
- DO NOT walk on cord.
- DO NOT drive over, drag or place objects over cord.
- DO NOT spray near power source.



WARNING Use of electric pressure washer could create puddles and slippery surfaces. Risk of kickback. Spray gun could kickback causing you to fall resulting in death or serious injury.

- Operate the electric pressure washer from a stable surface.
- Do not overreach or stand on unstable support. Keep good footing and balance at all times.
- The cleaning area should have adequate slopes and drainage to reduce the possibility of a fall due to slippery surfaces.
- Be extremely careful if you must use the electric pressure washer from a ladder, scaffolding, or any other similar location.
- Firmly grasp spray gun with both hands when using power spray modes to avoid injury when spray gun kicks back.



WARNING Risk of eye or bodily injury. Spray could splash back, propel objects or cause internal harm resulting in serious injury.

- Always wear indirect vented (chemical splash) safety goggles marked to comply with ANSI Z87.1 when using or in vicinity of this equipment. NEVER substitute safety glasses or dry-condition goggles for indirect vented safety goggles.
- Know how to stop the pressure washer and bleed pressure quickly. Be thoroughly familiar with the controls.
- DO NOT allow CHILDREN to operate the electric pressure washer.
- Keep operating area clear of all persons.
- Inspect high pressure hose before each use. NEVER repair high pressure hose; replace it.
- DO NOT repair leaking connections with sealant of any kind; replace o-rings and gaskets.
- Keep hose connected to electric pressure washer and spray gun while system is pressurized.
- ALWAYS point spray gun in safe direction while system is pressurized and squeeze spray gun trigger to release high pressure, every time you turn off the pressure washer.
- DO NOT aim spray gun at people or animals.
- DO NOT drink from hose connected accessories.
- DO NOT secure spray gun in open position.
- DO NOT leave spray gun unattended while the electric pressure washer is in ON (I) position.
- DO NOT use a spray gun which does not have a trigger lock or trigger guard in place and in working order.
- Always be certain spray gun and accessories are correctly attached.
- Stay alert – watch what you are doing.
- DO NOT operate the product when fatigued or under the influence of alcohol or drugs.
- Close supervision is necessary when this product is used near children.



WARNING The high pressure stream of water that this equipment produces could cut through skin and its underlying tissues, resulting in serious injury and possible amputation.

- Spray gun traps high water pressure, even when motor is stopped and water is disconnected, which could result in serious injury.
- NEVER aim spray gun at people, animals, or plants.
 - ALWAYS point spray gun in safe direction, squeeze spray gun trigger to release high pressure, every time you turn off pressure washer.


 **WARNING** Risk of fire. Spraying flammable liquids could result in death or serious injury.

- DO NOT spray flammable liquids.


 **WARNING** Risk of fire. Overheated cord could result in death or serious injury.

- Uncoil cord completely prior to use.
- DO NOT cover cord with any material.

 **WARNING** Chemical Burn Hazard.

 Chemicals could cause burns resulting in death or serious injury.

- Always wear indirect vented (chemical splash) safety goggles marked to comply with ANSI Z87.1 when using chemicals.
- DO NOT substitute safety glasses or dry-condition goggles for indirect vented safety goggles.
- DO NOT use caustic liquid with electric pressure washer.
- Use **ONLY** pressure washer safe detergents/soaps. Follow all manufacturers instructions.

 **WARNING** This product contains lead and lead compounds, known to the State of California to cause birth defects or other reproductive harm. *Wash your hands after handling this product.*

NOTICE High pressure spray could damage fragile items including glass.

- DO NOT point spray gun at glass when using 0° nozzle setting.
- NEVER aim spray gun at plants.

NOTICE Improper treatment of electric pressure washer could damage it and shorten its life.

- If you have questions about intended use, ask dealer or contact authorized service center.
- DO NOT operate units with broken or missing parts, or without protective housing or covers.
- DO NOT by-pass any safety device on the electric pressure washer.
- DO NOT modify the electric pressure washer in any way.
- Before starting the electric pressure washer in cold weather, check all parts of the equipment to be sure ice has not formed there.
- DO NOT move the electric pressure washer by pulling on hoses. Move unit using the transport handle supplied.
- Use **ONLY** branded accessories intended for use with this product.

Assembly



Read entire operator's manual before you attempt to assemble or operate your new electric pressure washer.

Your electric pressure washer requires some assembly but is quickly ready for use. If you have any problems with the assembly of your electric pressure washer, please call the electric pressure washer helpline at **(800) 743-4115**. If calling for assistance, please have the model, revision, and serial number from the identification label available.

Tools Needed

- Philips screwdriver #2

Unpack Electric Pressure Washer

1. Remove everything from carton.
2. Ensure you have all included items prior to assembly.

Items Included in the Carton

- Main unit with hose reel
- Handle with accessory tray
- Spray gun
- High pressure hose (on hose reel)
- Nozzle extension
- 7-in-1 nozzle
- Hose reel handle
- Parts bag (which includes the following):
 - Screw
 - Handle bolts (2)
 - Plastic knobs (2)
 - O-ring kit
 - Nozzle cleaning tool
 - Operator's manual
 - Owner's registration card

Check all contents. If any parts are missing or damaged, call the electric pressure washer helpline at **(800) 743-4115**.

Become familiar with each component before assembling the electric pressure washer. Identify contents with the illustration shown in *Features and Controls*.

Prior to Operation

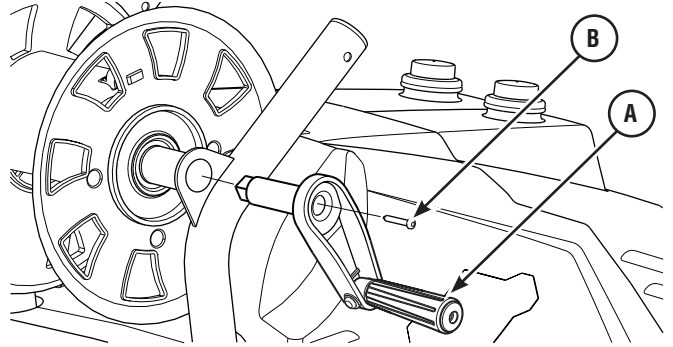
1. Please fill out and send in the registration card.
2. Read and perform the following instructions while paying close attention to all warnings and notices.

NOTICE For best performance, connect ONLY to water source capable of supplying greater than 5 gpm (18.9 l) and no less than 25 psi (1.72 bars) at the electric pressure washer end of garden hose. Inspect all equipment, hoses and accessories thoroughly before each use, DO NOT use if damaged.

- ONLY use branded accessories intended for use with this product.
- For optimum performance, DO NOT use a garden hose that exceeds 50 feet in length.
- Replace only with original equipment parts. To order, call **(800) 743-4115** or visit BRIGGSandSTRATTON.COM.

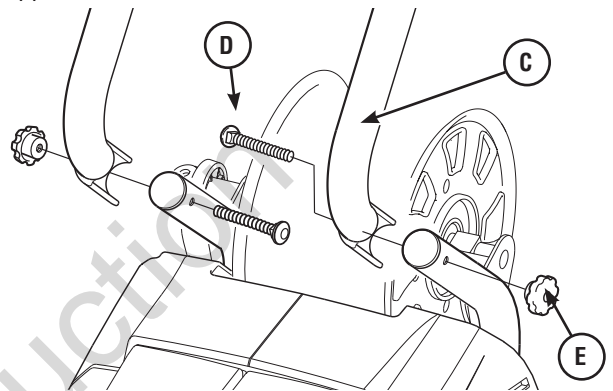
Assemble Handle to Hose Reel

1. Attach handle (A) to hose reel with screw (B). Tighten with a #2 philips screwdriver.



Assemble Handle to Main Unit

1. Place handle (C) onto handle supports connected to main unit. Make sure holes in handle align with holes on handle supports.

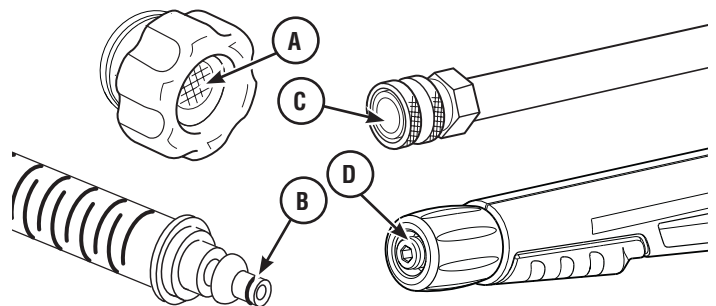


2. Insert handle bolts (D) through holes from inside of unit and attach a plastic knob (E) from outside of unit. Tighten by hand.

Lubricate O-Rings

Lubrication of o-rings is extremely important for installation and operation. The use of a lubricant (petroleum or synthetic grease) during assembly helps seat o-rings properly and provides an improved seal. It also helps protect the o-ring from damage by abrasion, pinching or cutting and extends the life of the o-ring.

NOTICE ALWAYS apply a small amount of lubricant on o-rings prior to assembling the garden hose to the pump (A), high pressure hose (gun end) (B), nozzle extension (C) and spray gun (D).



Lubricate all connections shown below, following these instructions:

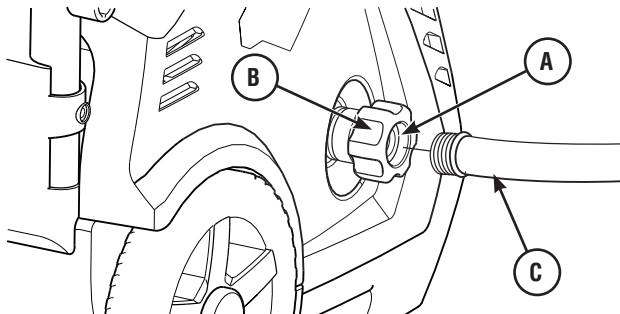
1. Inspect and clean connecting surfaces prior to lubrication and assembly.

2. Use lubricants sparingly during assembly; a light film is all that is required.
3. Use a small brush or cotton swab to apply grease directly to o-rings where they are not accessible (QC fitting, M22 fitting).

Connect Hoses and Water Supply

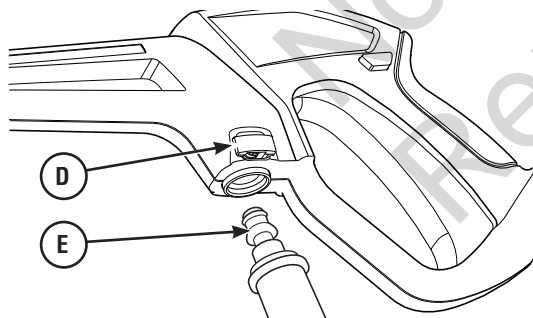
NOTICE Use ONLY cold water (less than 100°F).

1. Attach garden hose (50 ft. / 15.24 m maximum) to water supply.
2. Run water through garden hose for 30 seconds to flush the hose of debris. Turn off water.
3. Confirm that water inlet screen (A) is installed in water inlet coupling (B).



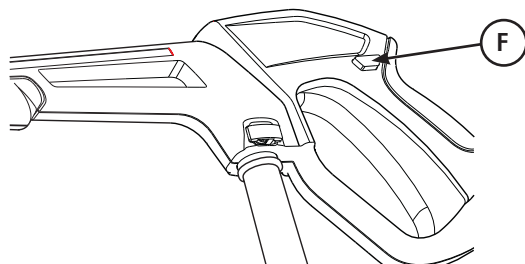
NOTICE DO NOT run the pump without the water supply connected and turned on.

- Damage to equipment resulting from failure to follow this instruction will void warranty.
4. Attach garden hose (C) to the water inlet coupling (B). Tighten by hand.
 5. Uncoil high pressure hose completely from hose reel.
 6. Attach end of high pressure hose to the spray gun. Press red button (D) on spray gun, then insert end of high pressure hose (E) into gun until it SNAPS into place. Release the red button and make sure connection is secure.

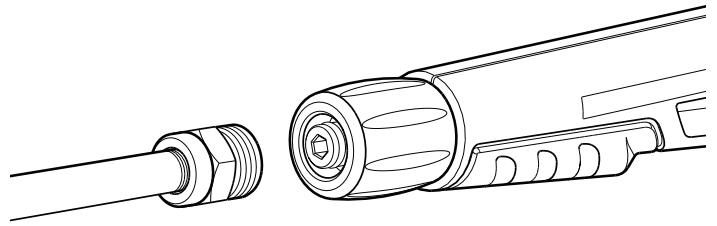


Connect Nozzle Extension and 7-in-1 Nozzle

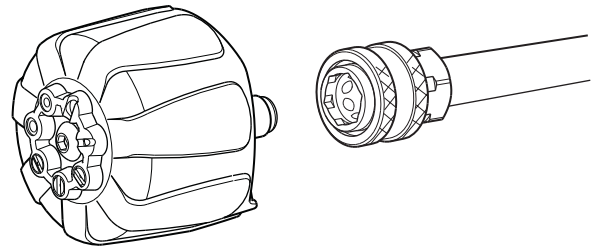
1. Turn ON water, point gun in a safe direction, press trigger lock button (F), then squeeze trigger to purge pump system and spray gun of air and impurities.



2. Attach nozzle extension to spray gun. Tighten by hand.



3. Pull back on collar of nozzle extension, insert 7-in-1 nozzle and release collar. Tug on 7-in-1 nozzle to make sure it is securely in place. See *How to Use 7-in-1 Nozzle*.



4. Turn OFF water and release trigger. Point gun in a safe direction and make sure trigger cannot be squeezed.

Checklist Before Starting Pump Motor

Review the unit's assembly to ensure you have performed all of the following.

1. Be sure to read *Operator Safety* and *Operation* before using the electric pressure washer.
2. Check for properly tightened hose connections.
3. Check to make sure there are no kinks, cuts, or damage to hoses.
4. Provide a proper water supply at an adequate flow.
5. Plug electrical power cord into a dedicated electrical circuit rated for 120 Volts AC at 15 Amps that is properly installed in accordance with all local codes and ordinances. Check that circuit is not used to supply any other electrical needs.

Servicing Of A Double-Insulated Appliance

In a double-insulated product, two systems of insulation are provided instead of grounding. No grounding means is provided on a double-insulated product, nor should a means for grounding be added to the product. Servicing a double-insulated product requires extreme care and knowledge of the system, and should be done only by qualified service personnel. Replacement parts for a double-insulated product must be identical to the parts they replace. A double-insulated product is marked with the words "DOUBLE INSULATION" or "DOUBLE INSULATED."

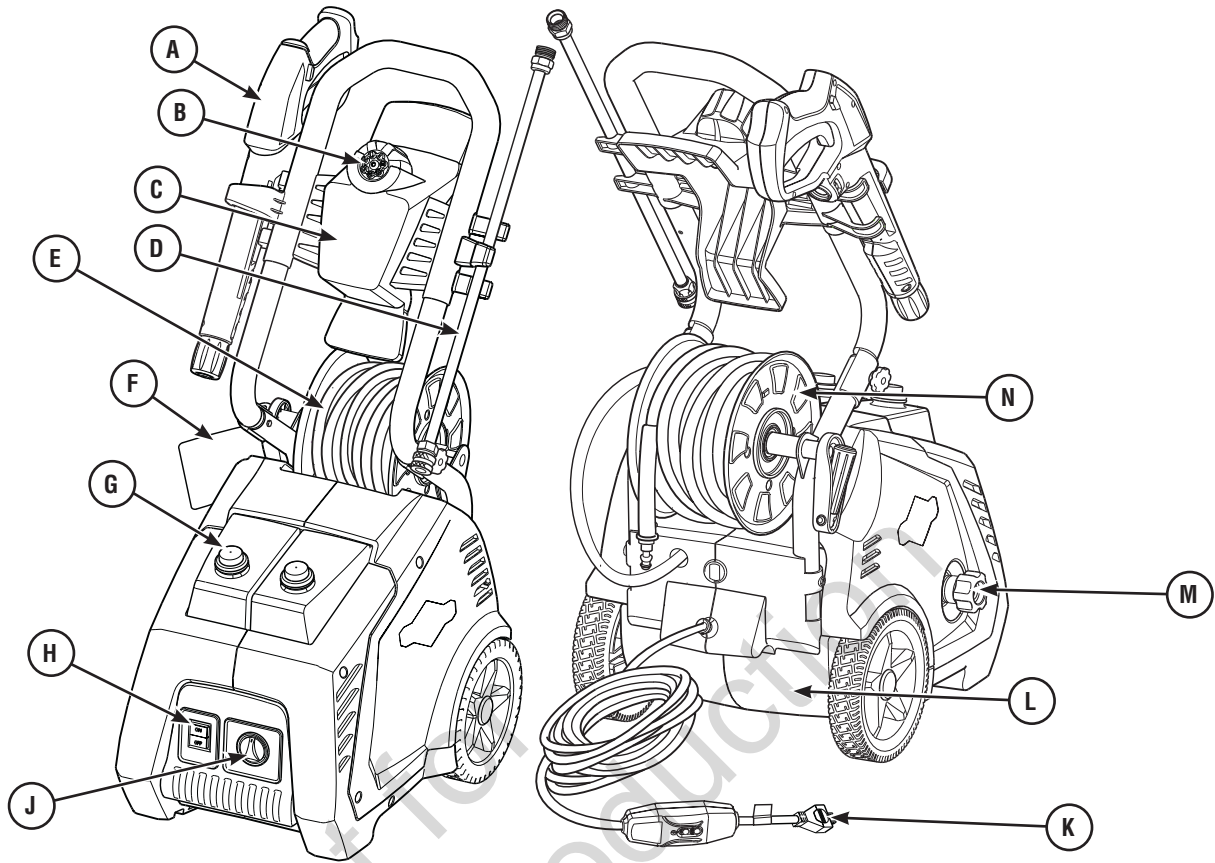
The symbol  means DOUBLE-INSULATED APPLIANCE.

Features and Controls



Read the Operator's Manual and safety rules before operating your electric pressure washer.

Compare the illustrations with your electric pressure washer to familiarize yourself with the locations of various controls and adjustments. Save this original manual for future reference.



A - Spray Gun — Controls the application of water onto cleaning surface with trigger device. Includes trigger lock.

B - 7-in-1 Nozzle — Contains seven different spray pattern nozzles for various applications.

C - Accessory Tray — Provides convenient storage for standard and optional accessories.

D - Nozzle Extension with Quick Connect — Allows you to switch between 7-in-1 nozzle and optional accessories.

E - High Pressure Hose — Connect one end to high pressure water outlet on hose reel and the other end to spray gun.

F - Warning Label — Identifies hazards to be avoided when using your pressure washer.

G - Detergent Tanks — Use to hold up to one quart (0.95 l) of pressure washer safe detergent in each tank.

H - Master ON/OFF Toggle Switch — Push top of switch in (I) to turn pressure washer ON. Push bottom of switch in (O) to turn pressure washer OFF.

J - Detergent Selector Switch — Allows you to select which detergent tank you want to use.

K - Electric Cord with GFCI — The electric pressure washer and operator is protected by a ground fault circuit interrupter (GFCI).

L - Identification Label — Provides model and serial number of pressure washer. Please have these readily available if calling for assistance.

M - Water Supply Inlet — Connect to water supply using a 50 ft. (15.24 m) maximum garden hose.

N - Hose Reel — Provides convenient storage for high pressure hose.

Operation

How to Start Your Electric Pressure Washer

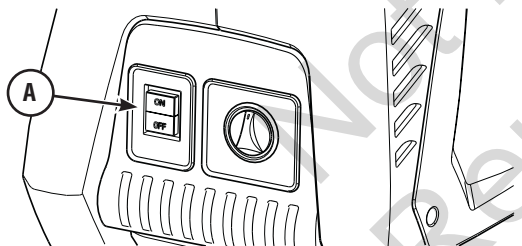
Follow the instructions below in the order presented. If you have any problems operating your electric pressure washer, please call the electric pressure washer helpline at **(800) 743-4115**.

WARNING Risk of eye injury. Spray could splash back or propel objects resulting in serious injury. Always wear indirect vented (chemical splash) safety goggles marked to comply with ANSI Z87.1 when using or in vicinity of this equipment. NEVER substitute safety glasses or dry-condition goggles for indirect vented safety goggles.

1. Place the electric pressure washer near an outside water source capable of supplying water at a flow rate greater than 5 gallons per minute (18.9 l) and no less than 25 psi (1.72 bars) at the electric pressure washer end of garden hose. DO NOT siphon supply water.
2. Connect garden hose to water inlet.
3. Check that high pressure hose is tightly connected to spray gun. See *Connect Hoses and Water Supply* for illustrations.

NOTICE DO NOT run the pump without the water supply connected and turned on.

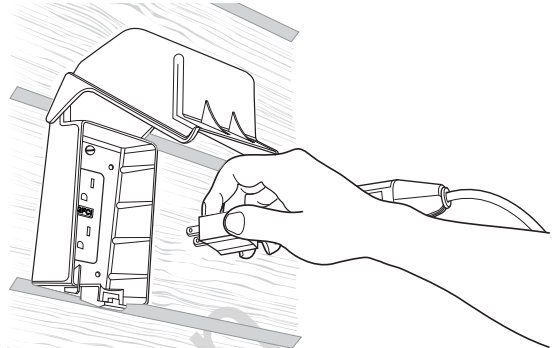
- Damage to equipment resulting from failure to follow this instruction will void warranty.
4. Turn ON water, point gun in a safe direction, press trigger lock button and squeeze trigger to purge pump system of air.
 5. Install nozzle extension and 7-in-1 nozzle onto spray gun. See *Connect Hoses and Water Supply* and *How to Use 7-in-1 Nozzle* for details.
 6. Press the master ON/OFF switch **(A)** to the OFF (0) position.



WARNING Risk of electrocution. Use of an extension cord could cause electric shock or burn resulting in death or serious injury.

- DO NOT use an extension cord with this electric pressure washer. Your home's electrical circuit receptacle or extension cord may not provide lifesaving ground-fault circuit-interruption protection.

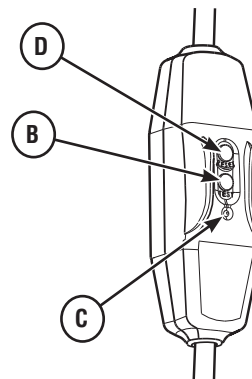
7. Plug electrical power cord into a dedicated electrical circuit rated for 120 Volts AC at 15 Amps that is properly installed in accordance with all local codes and ordinances. Circuit is not to supply any other electrical needs. The indicator light on the GFCI should be ON.



NOTICE The indicator light must be ON for the electric pressure washer to operate.

WARNING Risk of electrocution. Non-operating ground fault circuit interrupter (GFCI) could result in death or bodily injury. If indicator light does not stay ON after test and reset, do not use GFCI.

8. Press TEST button **(B)**. The indicator light **(C)** should be OFF.



9. Press RESET button **(D)**. The indicator light **(C)** should be ON.

NOTICE DO NOT use the electric pressure washer if above test fails.

10. Press the master ON/OFF switch to the pressure washer ON (I) position.
11. Point gun in a safe direction, press trigger lock button and squeeze trigger. The electric pressure washer motor will start and stop as spray gun trigger is depressed and released.

The electric pressure washer is now ready for use. Instructions for use of the supplied accessories are given later in this section.

How to Stop Your Electric Pressure Washer

The electric pressure washer motor runs only when the trigger is engaged. To stop the electric pressure washer and turn off the motor:

1. Release spray gun trigger.
 2. Press the master ON/OFF switch to the OFF (0) position.
- NOTICE** Releasing the trigger will shut off the motor but does not shut off electrical power to the unit.
3. Turn off water supply.
 4. ALWAYS point spray gun in a safe direction, press trigger lock button and squeeze trigger to relieve built up pressure in the unit.

WARNING The high pressure stream of water that this equipment produces could cut through skin and its underlying tissues, resulting in serious injury and possible amputation.

Spray gun traps high water pressure, even when motor is stopped and water is disconnected, which could result in serious injury.

- Keep high pressure hose connected to pump and spray gun while system is pressurized.
- ALWAYS point spray gun in safe direction, squeeze spray gun trigger to release high pressure, every time you turn off pressure washer.

5. Disconnect GFCI plug from outlet and coil power cord.
6. Wrap high pressure hose on hose reel.
7. Coil and store power cord, spray gun, nozzle extension and 7-in-1 nozzle on the accessory tray.

How to Use 7-in-1 Nozzle

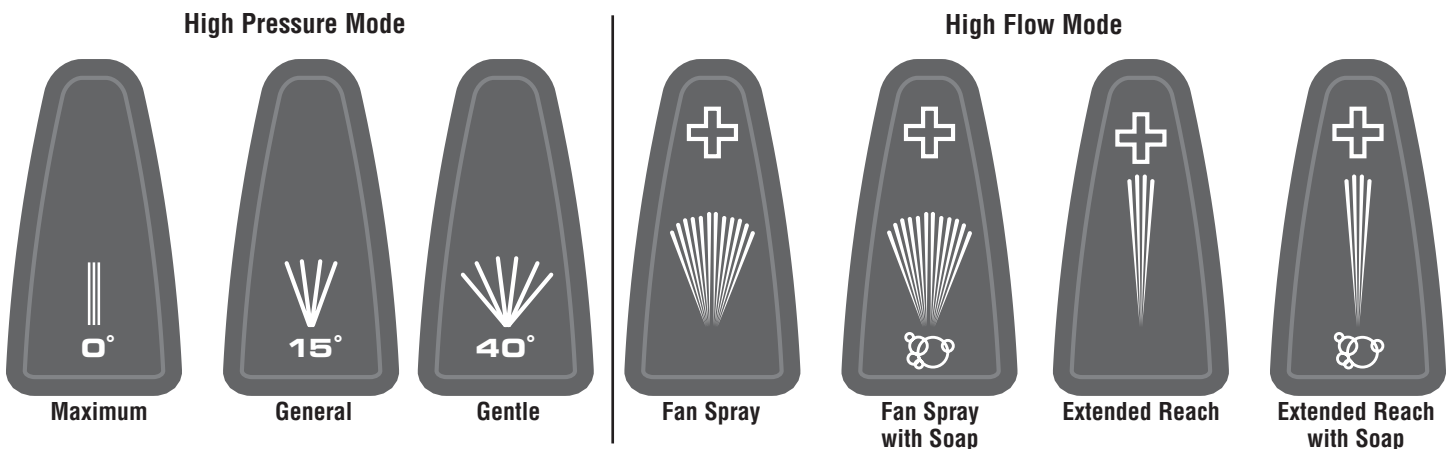
The 7-in-1 nozzle allows you to switch between seven different spray pattern nozzles. Release trigger on spray gun to engage safety lock before changing spray patterns. The spray patterns vary as shown below.

Follow these instructions to change nozzle patterns:

1. Select desired spray pattern:
 - Select Maximum 0° nozzle setting for stubborn or hard to reach surface such as second story surfaces, paint removal, oil stains, rust removal or other stubborn substances (tar, gum, grease, wax, etc.).
 - Select General 15° nozzle setting for tougher cleaning tasks. Ideal for removing grease and dirt from hard surfaces. Also capable of stripping paint when held at a 45° angle.
 - Select Gentle 40° nozzle setting for gentle cleaning of cars/trucks, boats, RV's, patio furniture, lawn equipment, etc.
 - Select Fan Spray nozzle setting for optimal high flow rinsing away of light dirt and debris.
 - Select Fan Spray with Soap nozzle setting for delicate surface cleaning of cars, trucks, childrens play equipment, patio furniture, etc.
 - Select Extended Reach nozzle setting for quick high flow clean up and long reach cleaning of second story siding and windows.
 - Select Extended Reach with Soap nozzle setting to propell soap to second story siding and windows.
2. Turn dial until desired spray pattern lines up with arrow on 7-in-1 nozzle.

Usage Tips

- For most effective cleaning, keep 7-in-1 nozzle from 8 to 24 inches away from cleaning surface.
- If you get 7-in-1 nozzle too close, especially using a high pressure spray pattern nozzle, you may damage surface being cleaned.
- Do Not get closer than 6 inches (15 cm) when cleaning tires.



Applying Detergent

⚠ WARNING Chemical Burn Hazard.

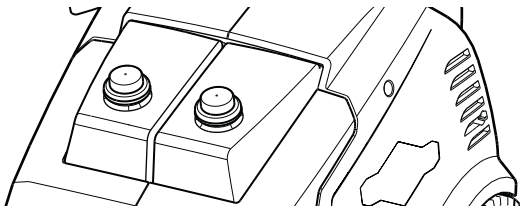


Chemicals could cause burns resulting in death or serious injury.

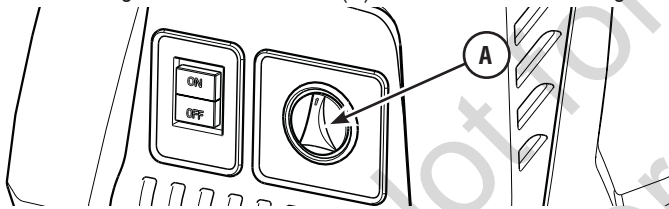
- Always wear indirect vented (chemical splash) safety goggles marked to comply with ANSI Z87.1 when using chemicals.
- DO NOT substitute safety glasses or dry-condition goggles for indirect vented safety goggles.
- DO NOT use caustic liquid with electric pressure washer.
- Use ONLY pressure washer safe detergents/soaps. Follow all manufacturers instructions.

To apply detergent, follow these steps:

1. Review use of 7-in-1 nozzle shown in *How to Use 7-in-1 Nozzle*.
2. Prepare your detergent solution as required by job to be performed.
3. Remove cap from each detergent tank.



4. Fill each tank with detergent solution.
5. Place cap back onto each detergent tank.
6. Turn detergent selector switch (A) to select desired detergent.



7. Make sure one of the soap spray pattern nozzles is selected on 7-in-1 nozzle.

NOTICE Detergent cannot be applied with high pressure nozzles (maximum, general, delicate, fan spray or extended reach).

8. Make sure garden hose is connected to water inlet. Check that high pressure hose is connected to spray gun. Turn on water.

NOTICE You must attach all hoses before you start the pressure washer.

9. Uncoil high pressure hose completely from hose reel.
10. Start the pressure washer as instructed in *How to Start Your Electric Pressure Washer*.
11. Apply detergent to a dry surface, starting at lower portion of area to be washed and work upward using long, even, overlapping strokes.
12. Allow detergent to “soak in” for 3-5 minutes before washing and rinsing. Reapply as needed to prevent surface from drying. To prevent streaking, Do Not allow detergent to dry on surface.

Electric Pressure Washer Rinsing

1. Select desired high pressure nozzle following instructions *How to Use 7-in-1 Nozzle*.
2. Keep spray gun a safe distance from area you plan to spray.

⚠ WARNING Risk of kickback.



Spray gun could kickback causing you to fall resulting in death or serious injury.

- Operate the electric pressure washer from a stable surface.
 - Be extremely careful if you must use the electric pressure washer from a ladder, scaffolding, or any other similar location.
 - Firmly grasp spray gun with both hands when using power spray modes to avoid injury when spray gun kicks back.
3. Apply a high pressure spray to a small area and then check surface for damage. If no damage is found, you can assume it is okay to continue rinsing.
 4. Start at top of area to be rinsed, working down with same overlapping strokes as you used for cleaning.

Other Cleaning Tips

- NEVER leave the electric pressure washer unattended while it is plugged into an electrical outlet and while water is supplied to the equipment.
- If you have the nozzle too far away from the surface being washed, the cleaning may not be as effective.

How to Store Accessories

The unit is equipped with an accessory tray with places to store your spray gun, nozzle extension, 7-in-1 nozzle and power cord. Identify all accessories with the illustrations in *Features and Controls*.

Maintenance

General Recommendations

Regular maintenance will improve the performance and extend the life of the electric pressure washer.

The electric pressure washer's warranty does not cover items that have been subjected to operator abuse or negligence. To receive full value from the warranty, the operator must maintain the electric pressure washer as instructed in this manual, including proper storage.

NOTICE Should you have questions about replacing components on your electric pressure washer, please call **(800) 743-4115** for assistance.

NOTICE Your electric pressure washer was designed and intended to be used with POWERflow+ components ONLY. Using components that are not designed for POWERflow+ will cause your pressure washer to not function optimally.

Before Each Use

1. Clean debris.
2. Check water inlet screen for debris or damage.
3. Check high pressure hose for leaks.
4. Check spray gun operation.

Electric Pressure Washer Maintenance

Clean Debris

Daily or before use, clean accumulated debris from electric pressure washer. Inspect cooling air slots and openings on the front, rear and bottom of the electric pressure washer. These openings must be kept clean and unobstructed.

The electric pressure washer parts should be kept clean to reduce the risk of overheating and ignition of accumulated debris.

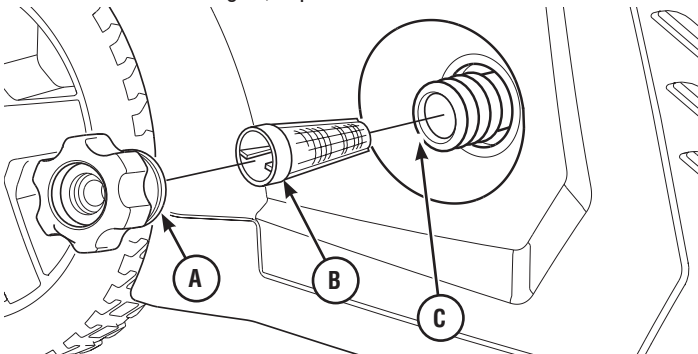
- Use a damp cloth to wipe exterior surfaces clean.

NOTICE Improper treatment of the electric pressure washer can damage it and/or shorten its life.

- DO NOT insert any objects through cooling slots.

Check and Clean Water Inlet Screen

Remove water inlet coupling (A). Then remove water inlet screen (B) from the unit's water inlet (C) using a needle nose pliers. Water inlet is located at bottom front of unit. Examine water inlet screen. If the screen is dirty, clean with a small brush and water. If the screen is damaged, replace it.



Check High Pressure Hose

The high pressure hose can develop leaks from wear, kinking, or abuse. Inspect the hose each time before using it. Check for cuts, leaks, abrasions or bulging of cover, damage or movement of couplings. If any of these conditions exist, replace the hose immediately.

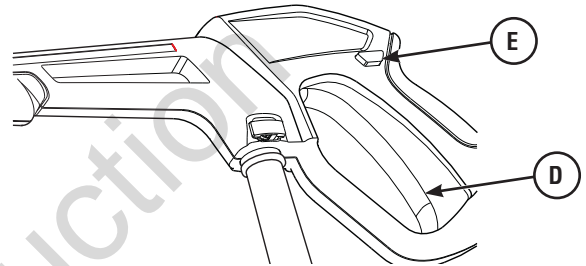


WARNING The high pressure stream of water that this equipment produces could cut through skin and its underlying tissues, resulting in serious injury and possible amputation.

- NEVER repair high pressure hose. Replace it.
- Replacement hose rating MUST equal or exceed maximum pressure rating of unit.

Check Spray Gun

Examine the hose connection to the spray gun and make sure it is secure. Test the trigger (D) by pressing the trigger lock button (E) and making sure the trigger "springs back" into place when you release it. You should not be able to press the trigger without pressing the trigger lock button. Replace spray gun immediately if it fails any of these tests.



Nozzle Maintenance

Excessive pump pressure can cause a pulsing sensation felt while squeezing the spray gun trigger. The principal cause of excessive pump pressure is a nozzle clogged or restricted with foreign materials such as dirt, etc. A clogged nozzle could lead to pump cycling ON/OFF or not turning on even when there is some flow.

To correct the problem, immediately clean the nozzle by following these instructions:

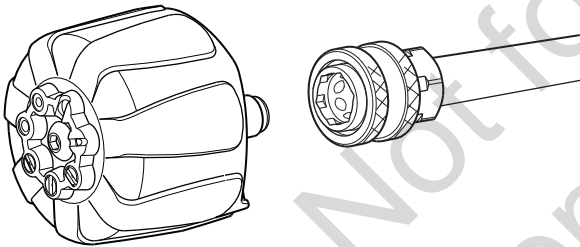
1. Press the master ON/OFF switch to the OFF (0) position. Remove power cord plug from electrical outlet.
2. Disconnect water supply at the electric pressure washer.
3. ALWAYS point spray gun in a safe direction, press trigger lock button and squeeze spray gun trigger to release retained high water pressure.

⚠ WARNING The high pressure stream of water that this equipment produces could cut through skin and its underlying tissues, resulting in serious injury and possible amputation.

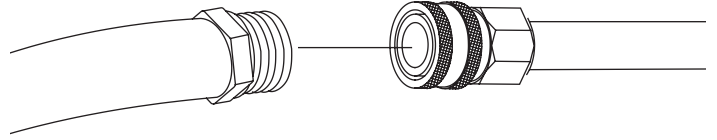
Spray gun traps high water pressure, even when motor is stopped and water is disconnected, which could result in serious injury.

- Keep high pressure hose connected to pump and spray gun while system is pressurized.
- ALWAYS point spray gun in safe direction, squeeze spray gun trigger to release high pressure, every time you turn off pressure washer.

4. Remove 7-in-1 nozzle from end of nozzle extension.



5. Use provided nozzle cleaning tool or small paper clip to free any foreign material clogging or restricting any of the nozzles.
6. Using a garden hose, remove additional debris by back flushing water through nozzle extension. Back flush between 30 to 60 seconds.



7. Reinstall 7-in-1 nozzle into nozzle extension.
8. Reconnect nozzle extension to spray gun.
9. Make sure garden hose is connected to water inlet. Check that high pressure hose is connected to spray gun. Turn on water.
10. Plug power cord into electrical outlet and press the master ON/OFF switch to the pressure washer ON (I) position.
11. Test the electric pressure washer by operating with each nozzle setting.

Pump and Motor Maintenance

The electric pressure washer does not require any maintenance to the pump or motor. Both assemblies are pre-lubricated and sealed, requiring no additional lubrication ever.

After Each Use

Water should not remain in the unit for long periods of time. Sediments or minerals can deposit on pump parts and “freeze” pump action. Follow these procedures after every use:

1. Press the master ON/OFF switch to the OFF (0) position. Remove power cord plug from electrical outlet.
2. Turn off water supply, point gun in a safe direction, press trigger lock button and squeeze trigger to relieve trapped pressure.
3. Disconnect garden hose from the water supply and the electric pressure washer.
4. Disconnect hose from spray gun. Drain water from hose, gun, and nozzle extension. Use a rag to wipe off the hose.
5. Drain water from pump by tipping unit slightly forward, then onto its right side (water inlet facing down).
6. Coil power cord and store on accessory tray.
7. Place spray gun, nozzle extension and 7-in-1 nozzle on accessory tray.
8. Wrap high pressure hose on hose reel.
9. Store unit in a clean, dry area.
10. If storing for more than 30 days see *Winter or Long Term Storage* on next page.

Winter or Long Term Storage

Water should not remain in the unit for long periods of time. Sediments or minerals can deposit on pump parts and “freeze” pump action.

Initial Storage Procedures

1. Flush detergent tanks by removing them from unit and pouring out all remaining solution.

NOTICE Disconnect hoses attached to bottom of detergent tanks.

2. Rinse detergent tanks out with fresh clean water, reconnect hoses and place back into unit.
3. Run the electric pressure washer with a soap spray nozzle selected. Flush for one or two minutes.
4. Press the master ON/OFF switch to the OFF (0) position. Remove power cord plug from electrical outlet.
5. Turn off water supply. Point gun in a safe direction, press trigger lock button and squeeze trigger to relieve trapped pressure. After a few moments, release trigger on spray gun.
6. Disconnect garden hose from the water supply and the electric pressure washer. Disconnect pressure hose from the spray gun.
7. Drain water from hose and spray gun, then use a cloth or equivalent to wipe off all exterior surfaces.
8. Ensure that inlet hose is disconnected from the pump. Then drain water from pump by tipping unit slightly forward, then onto its right side (water inlet facing down).

NOTICE Water left in the pump could freeze and permanently damage the pump.

Protecting the Pump

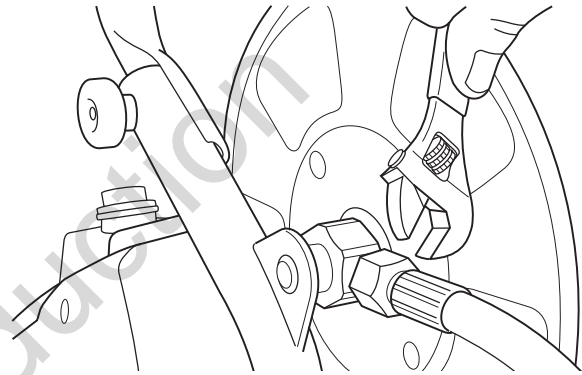
To protect the pump from damage caused by mineral deposits or freezing, use PumpSaver, Model 6039, to treat pump. This prevents freeze damage and lubricates plunger and seals.

NOTICE PumpSaver is available as an optional accessory. It is not included with the electric pressure washer. Contact the nearest authorized service center to purchase Pump Saver.

NOTICE You must protect your unit from freezing temperatures.

- Failure to do so will permanently damage your pump and render your unit inoperable.
- Freeze damage is not covered under warranty.

To use PumpSaver, make sure the electric pressure washer is turned off and inlet hose is disconnected. Using a 22 mm wrench, remove high pressure hose from left side of hose reel. Read and follow all instructions and warnings given on the PumpSaver container. After treating with PumpSaver, reattach high pressure hose to hose reel and tighten securely.



Final Storage Procedures

1. Coil power cord and store on accessory tray.
2. Wrap high pressure hose on hose reel.
3. Store spray gun, nozzle extension and nozzle on accessory tray.
4. Store unit in a clean, dry area that is protected from freezing temperatures.
5. Cover unit with a suitable protective cover that does not retain moisture.

Troubleshooting

Problem	Cause	Correction
<p>Pump has following problems: failure to produce pressure, erratic pressure, chattering, loss of pressure, low water volume.</p>	<ol style="list-style-type: none"> 1. Water inlet is blocked. 2. Inadequate water supply. 3. Garden hose is kinked or leaking. 4. Clogged water inlet screen. 5. Water supply is over 100°F (38°C). 6. High pressure hose is blocked, leaks or not uncoiled from hose reel. 7. Nozzle is obstructed. 8. Pump is faulty. 	<ol style="list-style-type: none"> 1. Clear inlet. 2. Provide adequate water flow. 3. Straighten garden hose or replace if leaking. 4. Check and clean water inlet screen. 5. Provide cooler water supply. 6. Clear blocks in high pressure hose, replace hose or uncoil from hose reel. 7. Clean nozzle. 8. Contact Briggs & Stratton service facility.
<p>Unit fails to start when spray gun trigger is squeezed.</p>	<ol style="list-style-type: none"> 1. Water supply is not turned on. 2. Unit is not turned on. 3. Garden hose is too long. 4. Fuse blown or circuit breaker tripped. 	<ol style="list-style-type: none"> 1. Turn on water supply. 2. Press the master ON/OFF switch to the ON (I) position. Reset GFCI. 3. Use only 50 ft. (15.24 m) maximum garden hose. 4. a.) Check fuse box for blown fuse and replace as necessary or reset circuit breaker. Do not use a fuse or circuit breaker with a higher rating than that specified for your particular branch circuit. b.) Disconnect other electrical appliances and turn off lights in the circuit or operate the pressure washer on its own dedicated circuit. c.) Run pressure washer in any POWERflow+ nozzle setting for 5 minutes. Motor break in may be necessary.
<p>Detergent fails to mix with spray.</p>	<ol style="list-style-type: none"> 1. Detergent selector switch is off. 2. High pressure or high flow without soap nozzle is selected. 	<ol style="list-style-type: none"> 1. Turn detergent selector knob to desired tank. 2. Select a high flow soap nozzle setting (indicated with bubbles).

BRIGGS & STRATTON POWER PRODUCTS GROUP, LLC PRESSURE WASHER OWNER WARRANTY POLICY

Effective November 1, 2012 - replaces all undated Warranties and Warranties dated before November 1, 2012.

LIMITED WARRANTY

Briggs & Stratton Power Products Group, LLC will repair or replace, free of charge, any part(s) of the pressure washer that is defective in material or workmanship or both. Transportation charges on product submitted for repair or replacement under this warranty must be borne by purchaser. This warranty is effective for the time periods and subject to the conditions stated below. For warranty service, contact Briggs & Stratton Customer Service by phone at (800) 743-4115, or on the internet at BRIGGSandSTRATTON.COM.

There is no other express warranty. Implied warranties, including those of merchantability and fitness for a particular purpose, are limited to one year from purchase, or to the extent permitted by law. All other implied warranties are excluded. Liability for incidental or consequential damages are excluded to the extent exclusion is permitted by law. Some states or countries do not allow limitations on how long an implied warranty lasts, and some states or countries do not allow the exclusion or limitation of incidental or consequential damages, so the above limitation and exclusion may not apply to you. This warranty gives you specific legal rights and you may also have other rights which vary from state to state or country to country.**

WARRANTY PERIOD

Consumer Use	1 year
Commercial Use	None

** In Australia - Our goods come with guarantees that cannot be excluded under the Australian Consumer Law. You are entitled to a replacement or refund for a major failure and for compensation for any other reasonably foreseeable loss or damage. You are also entitled to have the goods repaired or replaced if the goods fail to be of acceptable quality and the failure does not amount to a major failure. For warranty service, find the nearest Authorized Service Dealer in our dealer locator map at BRIGGSandSTRATTON.COM, or by calling 1300 274 447, or by emailing or writing to salesenquires@briggsandstratton.com.au, Briggs & Stratton Australia Pty Ltd, 1 Moorebank Avenue, NSW, Australia, 2170.

The warranty period begins on the date of purchase by the first retail end user, and continues for the period of time stated above. "Consumer Use" means personal residential household use by a retail consumer. "Commercial Use" means all other uses, including use for commercial, income producing or rental purposes. Once equipment has experienced commercial use, it shall thereafter be considered as commercial use for purposes of this warranty. Equipment used for prime power in place of utility are not applicable to this warranty.

NO WARRANTY REGISTRATION IS NECESSARY TO OBTAIN WARRANTY ON BRIGGS & STRATTON PRODUCTS. SAVE YOUR PROOF OF PURCHASE RECEIPT. IF YOU DO NOT PROVIDE PROOF OF THE INITIAL PURCHASE DATE AT THE TIME WARRANTY SERVICE IS REQUESTED, THE MANUFACTURING DATE OF THE PRODUCT WILL BE USED TO DETERMINE THE WARRANTY PERIOD.

ABOUT YOUR WARRANTY

We welcome warranty repair and apologize to you for being inconvenienced. Most warranty repairs are handled routinely, but sometimes requests for warranty service may not be appropriate. For example, warranty service would not apply if equipment damage occurred because of misuse, lack of routine maintenance, shipping, handling, warehousing or improper installation. Similarly, the warranty is void if the manufacturing date or the serial number on the pressure washer has been removed or the equipment has been altered or modified. During the warranty period, Briggs & Stratton, at its option, will repair or replace any part that, upon examination, is found to be defective under normal use and service. This warranty will not cover the following repairs and equipment:

- **Normal Wear:** Outdoor Power Equipment, like all mechanical devices, needs periodic parts and service to perform well. This warranty also does not cover normal maintenance such as filters, adjustments, cleaning and obstruction (due to chemical, lime, dirt, and so forth).
 - **Installation and Maintenance:** This warranty does not apply to equipment or parts that have been subjected to improper or unauthorized installation or alteration and modification, misuse, negligence, accident, overloading, overspeeding, improper maintenance, repair or storage so as, in our judgment, to adversely affect its performance and reliability. This warranty also does not cover normal maintenance such as filters, adjustments, chemical system cleaning and obstruction (due to chemical, lime, dirt, and so forth).
 - **Other Exclusions:** This warranty excludes wear items such as quick couplers, seals, o-rings, pumps that have been run without water supplied or damage or malfunctions resulting from accidents, abuse, modifications, alterations, or improper servicing or freezing or chemical deterioration. Accessory parts, such as guns, hoses, nozzle extensions (wands), and nozzles, are excluded from the product warranty. This warranty excludes used, reconditioned, and demonstration equipment and failures due to acts of God and other force majeure events beyond the manufacturers control.
- 206457E, Rev. C, 10/23/2012

BRIGGS & STRATTON POWER PRODUCTS GROUP, LLC
MILWAUKEE, WI, USA



Briggs & Stratton Electric Pressure Washer

Product Specifications

Max Outlet Pressure 1800 PSI* @ 1.1 GPM
Max Flow Rate..... 4.0 GPM* @ 100 PSI
Detergent Mix..... See MFR's Instructions
Water Supply Temperature..... Not to exceed 100°F (38°C)
Motor Universal (brush) Type
Rated Voltage..... 120 Volts AC
Current 14.5 Amps

* This pressure washer is rated in accordance to the Pressure Washer Manufacturers Association (PWMA) standard PW101-2010 (Testing and Rating Performance of Pressure Washers).

Not for
Reproduction

Briggs & Stratton Power Products Group, LLC
P.O. Box 702
Milwaukee, Wisconsin, 53201-0702 U.S.A.



**Limpiadora a
presión eléctrica**

MANUAL DEL OPERARIO

POWERflow+ TECHNOLOGY™



Not for
Reproduction

Esta limpiadora a presión está clasificada conforme a la norma PW101-2010 (comprobación y clasificación de rendimiento de limpiadoras a presión) de la Asociación de fabricantes de bombas a presión (Pressure Washer Manufacturers Association, PWMA).

**BRIGGS & STRATTON POWER PRODUCTS GROUP, LLC
MILWAUKEE, WISCONSIN, EE. UU.**

Gracias por haber adquirido esta limpiadora a presión eléctrica de calidad de Briggs & Stratton®. Le agradecemos la confianza que ha depositado en la marca Briggs & Stratton. Si se maneja y se realiza el mantenimiento adecuado, tal y como se indica en este manual, su limpiadora a presión eléctrica Briggs & Stratton le proporcionará años de funcionamiento fiable.

Este manual contiene información de seguridad para advertirle sobre los peligros y riesgos asociados con las limpiadoras a presión eléctricas y cómo evitarlos. Debido a que Briggs & Stratton no conoce todas las aplicaciones que se pueden dar a esta limpiadora a presión eléctrica, es importante que lea y entienda estas instrucciones completamente antes de intentar hacer funcionar el equipo.

Conserve estas instrucciones originales para consultarlas en el futuro.

Debe montar esta limpiadora a presión eléctrica antes de utilizarla. Consulte la sección de *Montaje* de este manual para obtener instrucciones sobre el procedimiento de montaje final. Siga las instrucciones al pie de la letra.

Dónde encontrarnos

No tendrá que buscar mucho para encontrar el soporte y servicio de Briggs & Stratton para su limpiadora a presión eléctrica. Consulte sus Páginas Amarillas. Existen más de 30,000 distribuidores autorizados de Briggs & Stratton en todo el mundo, proporcionándole un servicio de alta calidad. También puede ponerse en contacto con el Servicio al Cliente de Briggs & Stratton llamando por teléfono al **(800) 743-4115**, o a través de Internet en BRIGGSandSTRATTON.com.

Limpiadora a presión eléctrica

Número de modelo

Revisión

Número de serie

Fecha de compra

Not for
Reproduction

Copyright © 2013. Briggs & Stratton Power Products Group, LLC
Milwaukee, WI, EEUU. Reservados todos los derechos.
Briggs & Stratton Power Products son una marca comercial
registrada de Briggs & Stratton Corporation
Milwaukee, WI, EE. UU.


Tabla de Contenido

Seguridad del usuario	4
Descripción del equipo.	4
Información de seguridad importante	4
Montaje	7
Desembale la limpiadora a presión eléctrica	7
Antes del funcionamiento.	7
Conecte el asa a la carrete de manguera	7
Conecte el asa a la unidad principal.	7
Lubrique las juntas tóricas.	7
Conecte las mangueras y el suministro de agua	8
Conexión del extensión de la boquilla y boquilla 7 en 1	8
Lista de verificación previa al arranque del motor de la bomba.	8
Servicio a un aparato con doble aislamiento	8
Características y controles	9
Funcionamiento	10
Cómo arrancar la limpiadora a presión eléctrica	10
Cómo detener la limpiadora a presión eléctrica	11
Cómo usar la boquilla 7 en 1	11
Cómo aplicar detergente	12
Enjuagar la limpiadora a presión eléctrica	12
Almacenamiento de los accesorios	12
Mantenimiento	13
Recomendaciones Generales	13
Mantenimiento de la limpiadora a presión eléctrica.	13
Mantenimiento del boquilla	14
Mantenimiento de la bomba y del motor	14
Después de cada utilización.	14
Almacenamiento en invierno o durante largos períodos	15
Procedimientos iniciales de almacenamiento.	15
Protección de la bomba	15
Procedimientos para el almacenamiento final	15
Resolución de problemas	16
Garantía	17
Garantía para el propietario de una limpiadora a presión eléctrica	17
Especificaciones del producto	18

Seguridad del usuario

CONSERVE ESTAS INSTRUCCIONES

Descripción del equipo

 **ADVERTENCIA** Si no se leen ni se siguen las indicaciones del manual del operario y todas las instrucciones antes de usar el aparato, se pueden producir lesiones graves o incluso la muerte.

- Lea este manual detenidamente y familiarícese con la limpiadora a presión eléctrica. Conozca sus aplicaciones, sus limitaciones y cualquier peligro asociado.

Hemos hecho todo lo posible para asegurarnos de que la información de este manual sea precisa y esté actualizada. No obstante, nos reservamos el derecho a cambiar, modificar o mejorar el producto y este documento en cualquier momento y sin previo aviso.

POWERflow+ Technology

POWERflow+ Technology es una limpiadora a presión que limpia a profundidad, con alta presión, para levantar la suciedad, Y con alto flujo, para removerla fácilmente. En el modo de alto flujo, POWERflow+ Technology mejora las tareas de lavado pues proporciona capacidades de mayor alcance, aplicación de detergente potente y aclarado más rápido.

La fuerza de POWERflow+ la obtiene gracias a la bomba con dos modos de lavado separados: alta presión y alto flujo. El modo de alta presión proporciona un máximo de 1800 psi (libras por pulgada cuadrada) y es ideal para lavar las manchas más difíciles, el moho y la suciedad de las terrazas, entradas para autos y recubrimientos exteriores, mientras que el modo de alto flujo proporciona un máximo de 4 gpm (galones por minuto) para eliminar la suciedad, el detergente y los residuos. El modo de alto flujo convierte a esta limpiadora en la mejor para el lavado de superficies delicadas como muebles para jardín, vehículos y juegos para exteriores, así como juguetes infantiles.

POWERflow+ Technology de Briggs & Stratton es un sistema de componentes que funcionan en conjunto para ofrecer la capacidad del alto flujo. El agua se envía desde la bomba hacia la manguera de 8 m (26 pies), especialmente diseñada, y hacia la pistola POWERflow+ hecha a la medida con asa suave. Posteriormente, el agua fluye hasta la exclusiva boquilla 7 en 1 que permite al usuario cambiar de alta presión a alto flujo sin tener que cambiar las puntas de la boquilla, además de impulsar el chorro hasta 9,1 m (30 pies).

Circuitos protegidos con interruptores a tierra

Esta arandela de presión se proporciona con un circuito protegido con interruptores a tierra (GFCI) integrado en el enchufe del cable de alimentación. Este dispositivo aporta una mayor protección frente al riesgo de descarga eléctrica. En el caso de que sea necesario sustituir el enchufe o el cable, utilice piezas de repuestos exactamente idénticas que dispongan de protección GFCI.

Apagado automático

La limpiadora a presión eléctrica está equipada con un sensor que detectará si el flujo de agua se detuvo al activar o bloquear el gatillo de la pistola pulverizadora. El sensor hará que el motor se apague siempre que el gatillo de la pistola pulverizadora se active o bloquee.

Si el motor continúa en funcionamiento cuando se activa o bloquea el gatillo de la pistola pulverizadora, NO USE LA MÁQUINA. Llame al teléfono de ayuda de la limpiadora a presión eléctrica: **(800) 743-4115** para obtener asistencia.

AVISO La limpiadora a presión eléctrica está equipada con un interruptor de encendido/apagado de la alimentación principal. El interruptor siempre debe estar en la posición de apagado (0) cuando no se usa la limpiadora a presión eléctrica para evitar probables daños.

Sobrecarga del motor

El motor eléctrico de esta limpiadora a presión eléctrica está equipado con un dispositivo de protección por sobrecarga (termostato). Este dispositivo apagará automáticamente el motor si este se recalienta o utiliza corriente en exceso.

Si se activa el dispositivo de protección por sobrecarga, desconecte la alimentación. Para ello, coloque el interruptor principal de encendido/apagado en la posición de apagado (0). Deje que la unidad se enfríe durante 30 minutos. Luego, coloque el interruptor principal de encendido/apagado en la posición de encendido (I) para continuar con el funcionamiento.

Información de seguridad importante

Lea y comprenda todo el manual antes de armar, hacer funcionar o realizar operaciones de reparación/mantenimiento en el producto. Siga las instrucciones de mantenimiento especificadas en este manual. Si tiene alguna pregunta relacionada con este producto, por favor, póngase en contacto con el servicio de atención llamando al cliente al **(800) 743-4115**, de lunes a viernes, de 8.00 a 17.00, CST.

Símbolos de seguridad y significados



Manual del Operario



Descarga eléctrica



Fuego



Superficie resbaladiza



Caída



Inyección Líquida




Proyectil




Objetos propulsados



Quemadura química

 El símbolo de alerta de seguridad indica un riesgo de lesiones personales. Se usan palabras de advertencia (PELIGRO, ADVERTENCIA o PRECAUCIÓN) como símbolos de alerta para designar el nivel de gravedad de los peligros. El símbolo de seguridad puede usarse para representar el tipo de peligro. La palabra de advertencia AVISO se usa para referirse a prácticas no relacionadas con lesiones personales.

 **PELIGRO** indica un peligro que, si no se evita, *ocasionará* la muerte o una lesión grave.

 **ADVERTENCIA** indica un peligro que, si no se evita, *podría ocasionar* la muerte o una lesión grave.

 **PRECAUCIÓN** indica un peligro que, si no se evita, *podría ocasionar* en lesión leve o moderada.

AVISO se refiere a prácticas no relacionadas con lesiones personales.

Para conocer cómo reparar o realizar operaciones de mantenimiento en un aparato con doble aislamiento, consulte la sección de montaje.



ADVERTENCIA Riesgo de electrocución. El uso de un cable prolongador podría provocar electrocución y quemaduras, y tener como resultado lesiones graves o la muerte.

- NO utilice un cable prolongador con esta limpiadora a presión eléctrica. Es posible que la toma eléctrica residencial o el cable prolongador no le brinde protección con interrupción de circuito de fallo de conexión a tierra, crucial para la vida de una persona.



ADVERTENCIA Riesgo de lesiones oculares o corporales. La pistola puede salpicar, empujar objetos o provocar daños internos que ocasionen una lesión grave.

- Cuando utilice o esté cerca de este dispositivo, colóquese gafas de seguridad con ventilación indirecta (salpicadura química) que cumplan con la disposición ANSI Z87.1. NUNCA reemplace las gafas de seguridad o las gafas para tareas secas por gafas de seguridad con ventilación indirecta.
- Saber cómo detener la limpiadora a presión y eliminar la presión rápidamente. Estar perfectamente familiarizado con los controles.
- NO permita a los NIÑOS utilizar la limpiadora a presión eléctrica.
- No permita la presencia de personas en el área de uso.
- Antes de cada uso, revise la manguera a alta presión. NUNCA repare la manguera a alta presión; cámbiela.
- NO repare pérdidas con ningún tipo de sellador; cambie las juntas tóricas y obturadoras.
- Mientras el sistema esté presurizado, mantenga la manguera conectada a la limpiadora y a la pistola pulverizadora.
- SIEMPRE apunte la pistola pulverizadora en una dirección segura mientras el sistema esté presurizado y apriete el gatillo de la pistola para liberar la presión alta cada vez que apague el dispositivo.
- NO apunte a personas o animales con la pistola pulverizadora.
- NO beba de los accesorios conectados a la manguera.
- NO fije la pistola pulverizadora en la posición de abierto.
- NO descuide la pistola pulverizadora mientras la limpiadora a presión se encuentra en la posición de encendido (I).
- NO utilice una pistola pulverizadora que no tenga una traba o un bloqueador de gatillo en su lugar y que funcione correctamente.
- Siempre asegúrese de que la pistola pulverizadora y los accesorios estén colocados correctamente.
- Manténgase alerta: preste atención a lo que hace.
- NO utilice el dispositivo si está cansado o bajo la influencia de alcohol o drogas.
- Cuando se usa este producto cerca de niños es necesario realizar una supervisión cercana.



ADVERTENCIA Riesgo de electrocución. Poner en contacto al mismo tiempo ambos conductores de energía podría provocar una descarga eléctrica o incendio que causen muertes o lesiones graves.

- Compruebe que el cable esté en buenas condiciones antes de usar la unidad. NO la utilice si el cable está dañado.
- El producto cuenta con un interruptor del circuito de fallo a tierra (GFCI) que se encuentra en el cable del enchufe. Si es necesario reemplazar el enchufe o el cable, reemplácelos exclusivamente por piezas de repuesto idénticas.
- Mantenga todas las conexiones secas y lejos del suelo.
- NO toque el enchufe con las manos mojadas.
- NO pase el cable por entradas, ventanas, orificios en los techos, paredes o pisos.
- NO pise el cable.
- NO aplaste, arrastre o coloque objetos sobre el cable.
- NO moje el área cercana a la fuente de energía.



ADVERTENCIA Peligro de quemaduras químicas.

- Los productos químicos pueden causar quemaduras que ocasionen la muerte o heridas graves.
- Cuando utilice productos químicos, colóquese gafas de seguridad con ventilación indirecta (salpicadura química) que cumplan con la disposición ANSI Z87.1.
 - NO reemplace las gafas de seguridad o las gafas para tareas secas por gafas de seguridad con ventilación indirecta.
 - NO utilice líquido cáustico con la limpiadora a presión eléctrica.
 - SOLO utilice detergentes/jabones seguros para la limpiadora a presión. Siga todas las instrucciones del fabricante.



ADVERTENCIA Cuando se utiliza la limpiadora a presión, se pueden formar charcos de agua y las superficies pueden volverse resbaladizas.

- Riesgo de sufrir contragolpe. La pistola pulverizadora puede generar un rebote y esto puede hacer que usted se caiga, lo cual podría provocar la muerte o lesiones graves.
- Utilice la limpiadora a presión eléctrica desde una superficie estable.
 - No la sobreexija ni la coloque en un lugar inestable. Manténgala siempre en equilibrio.
 - El área de limpieza debe tener declives y drenajes apropiados para disminuir la posibilidad de una caída debido a las superficies resbaladizas.
 - Tenga mucho cuidado en caso de que deba utilizar la limpiadora a presión eléctrica parado sobre una escalera, andamio o alguna ubicación similar.
 - Agarre la pistola pulverizadora con ambas manos cuando utilice los distintos modos de pulverización para evitar lesiones cuando la pistola pulverizadora rebota.

⚠ ADVERTENCIA Riesgo de incendio. Rociar líquidos inflamables puede ocasionar la muerte o heridas graves.



- NO rocíe líquidos inflamables.

⚠ ADVERTENCIA Riesgo de incendio. El sobrecalentamiento del cable puede ocasionar la muerte o heridas graves.



- Desenrosque el cable por completo antes de utilizarlo.
- NO cubra el cable con ningún material.

⚠ ADVERTENCIA El chorro de agua de alta presión que produce esta unidad podría generar cortes en la piel y tejidos subcutáneos, lo cual provocaría lesiones graves o una posible amputación.



- La pistola pulverizadora contiene agua a alta presión incluso cuando el motor está detenido y el suministro de agua desconectado. Esto podría provocar lesiones graves.
- NUNCA apunte a personas, animales o plantas con la pistola pulverizadora.
 - SIEMPRE apunte la pistola pulverizadora en una dirección segura, apriete el gatillo de la pistola para liberar la presión alta cada vez que apague la limpiadora a presión.

⚠ ADVERTENCIA Este producto contiene plomo y compuestos del plomo, que, como se ha estudiado en el estado de California, Estados Unidos, pueden provocar defectos a bebés u otros daños relacionados con la reproducción. *Lávese las manos después de manipular este producto.*

AVISO El pulverizador de alta presión puede dañar objetos frágiles, incluso cristales.

- NO dirija la pistola rociadora hacia cristales cuando utilice el ajuste de 0° de la boquilla.
- NUNCA apunte a las plantas con la pistola pulverizadora.

AVISO Si maneja de manera incorrecta la limpiadora a presión eléctrica, podría dañarla y acortar su vida útil.

- Si tiene preguntas sobre el uso de la máquina, consulte a su vendedor o póngase en contacto con un centro de servicio autorizado.
- NO haga funcionar las unidades con piezas rotas o sin algunas piezas, o sin usar cubiertas de protección.
- NO omita usar ningún dispositivo de seguridad en la limpiadora a presión eléctrica.
- NO modifique la limpiadora a presión eléctrica.
- Antes de arrancar la limpiadora a presión eléctrica en climas muy fríos, revise todas las piezas del equipo para asegurarse de que no estén cubiertas de hielo.
- NO tire de las mangueras para mover la limpiadora a presión eléctrica. Mueva la unidad desde la manija de transporte provista.
- SOLO use accesorios de marca que hayan sido fabricados para este producto.

Montaje



Lea todo el manual del operador antes de intentar armar o hacer funcionar su limpiadora a presión eléctrica nueva.

Deberá armar la limpiadora a presión eléctrica, pero no tardará mucho en poder tenerla lista para usarla. Si tiene problemas con el ensamblado de la limpiadora a presión eléctrica, por favor, llame al número de teléfono de ayuda de la limpiadora a presión eléctrica (800) 743-4115. Si solicita asistencia, tenga a mano el número de modelo, de revisión y de serie que puede ver en la etiqueta de identificación.

Herramientas necesarias

- Destornillador Phillips, n.º 2

Desembale la limpiadora a presión eléctrica

1. Saque todos los elementos de la caja.
2. Asegúrese de tener todos los elementos que se incluyen antes de ensamblarla.

Artículos incluidos en la caja

- Unidad principal con carrete para manguera
- Asa con bandeja para accesorios
- Pistola pulverizadora
- Manguera de alta presión (en carrete para manguera)
- Extensión de la boquilla
- Boquilla 7 en 1
- Asa del carrete de manguera
- Bolsa de piezas (que incluye lo siguiente):
 - Tornillo
 - Pernos para asa (2)
 - Perilla plástica (2)
 - Juntas tóricas
 - Herramienta de limpieza de la boquilla
 - Manual del operario
 - Tarjeta de registro del propietario

Revise todo el contenido. Si falta alguna de las piezas o alguna está dañada; llame a la línea de ayuda de la limpiadora a presión eléctrica: (800) 743-4115.

Familiarícese con todos los componentes antes de armar la limpiadora a presión eléctrica. Identifique los contenidos con la ilustración que se muestra en *Características y controles*.

Antes del funcionamiento

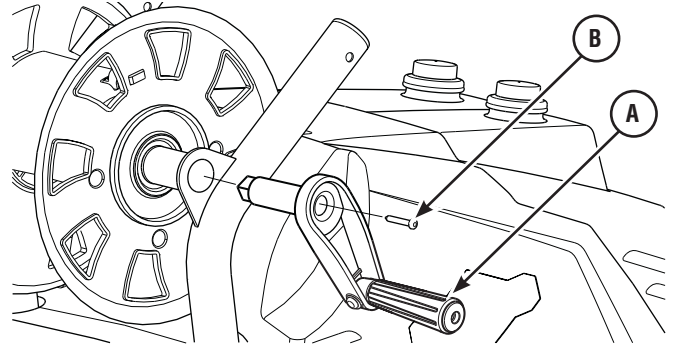
1. Por favor, complete y envíe la tarjeta de registro.
2. Lea y cumpla con las siguientes instrucciones, y preste atención a las advertencias y avisos.

AVISO Para obtener el mejor rendimiento, conecte ÚNICAMENTE a una fuente de agua que tenga la capacidad para suministrar más de 18,9 litros (5 galones) por minuto, a una presión no inferior a 25 PSI (1,72 bar) en el extremo de la manguera de riego conectado a la limpiadora a presión eléctrica. Revise todo el equipo, las mangueras y los accesorios completamente antes de cada uso. NO los use si están dañados.

- SOLO use accesorios de marca que hayan sido fabricados para este producto.
- Para obtener un funcionamiento óptimo, NO use una manguera para jardín de más de 50 ft (15 m) de largo.
- Reemplace solo con piezas originales.
- Para hacer un pedido, llame al (800) 743-4115 o visite BRIGGSandSTRATTON.COM.

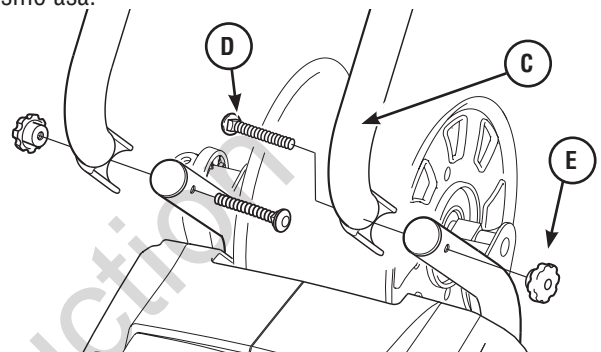
Conecte el asa a la carrete de manguera

1. Fije el asa (A) al carrete de la manguera con el tornillo (B). Apriete con un destornillador Phillips n.º2.



Conecte el asa a la unidad principal

1. Coloque el asa (C) sobre los soportes del mismo que ya están adheridos a la unidad principal. Asegúrese de que los orificios en el asa estén alineados con los orificios en los soportes del mismo asa.

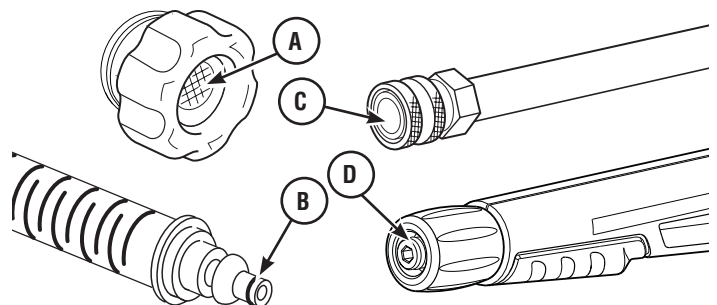


2. Inserte los pernos de cabeza (D) del asa en los orificios desde el interior de la unidad y coloque un pomo de plástico (E) desde la parte exterior. Apriete a mano.

Lubrique las juntas tóricas

La lubricación de las juntas tóricas es extremadamente importante para la instalación y el funcionamiento. El uso de un lubricante (grasa lubricante o sintética) durante el montaje ayuda a que las juntas tóricas se asienten correctamente y ofrece un mejor sellado. También ayuda a evitar que la junta tórica resulte dañada por abrasión, pellizcado o cortes, y aumenta la vida útil de la junta tórica.

AVISO SIEMPRE aplique una pequeña cantidad de lubricante en las juntas tóricas antes de conectar la manguera para jardín a la bomba (A), a la manguera a alta presión (extremo de la pistola) (B), extensión de la boquilla (C), y la pistola rociadora (D).



Lubrique todas las conexiones mostradas debajo. Para ello, siga estas instrucciones:

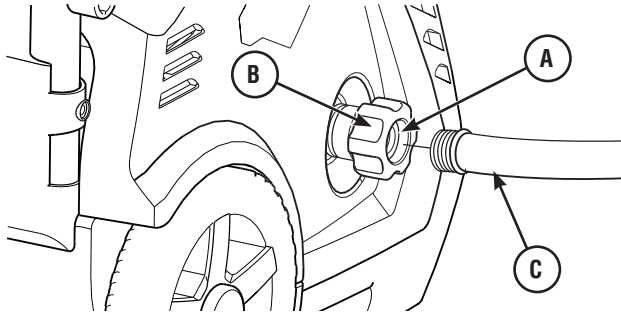
1. Revise y limpie las superficies de conexión antes de lubricar y armar.

2. Sea moderado en el uso de lubricantes durante el armado. Solo necesita una pequeña lubricación.
3. Use un cepillo pequeño o un bastoncillo de algodón para aplicar la grasa directamente a las juntas tóricas en los lugares donde no son accesibles (adaptador QC, adaptador M22).

Conecte las mangueras y el suministro de agua

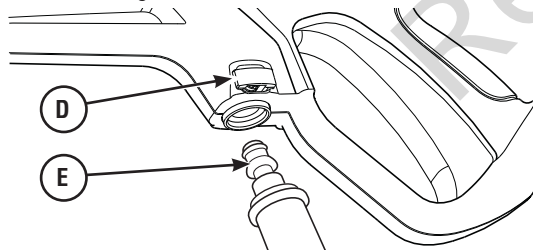
AVISO SOLO use agua fría (menos de 100 °F/38 °C).

1. Conecte una manguera para jardín (máximo: 50 ft/15,24 m) al suministro de agua.
2. Deje correr agua por la manguera para jardín durante 30 segundos para limpiar la suciedad. Desconecte el agua.
3. Verifique que la pantalla de entrada de agua (A) esté instalada en la entrada de agua (B).



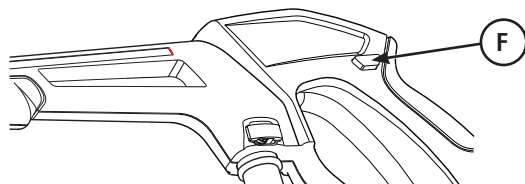
AVISO NO use la bomba sin el suministro de agua conectado y funcionando.

- Si no se siguen estas instrucciones y se daña el equipo, quedará anulada la garantía.
4. Coloque el manguera para jardín (B) en el acoplamiento de entrada de agua (C). Apriete a mano.
 5. Desenrolle por completo la manguera de alta presión del carrete de la manguera.
 6. Coloque el extremo de la manguera a alta presión en la pistola pulverizadora. Presione el botón rojo (D) de la pistola pulverizadora. Luego, coloque el extremo de la manguera a alta presión (E) en la manguera hasta que quede colocada correctamente. Suelte el botón rojo y compruebe que la conexión esté segura.

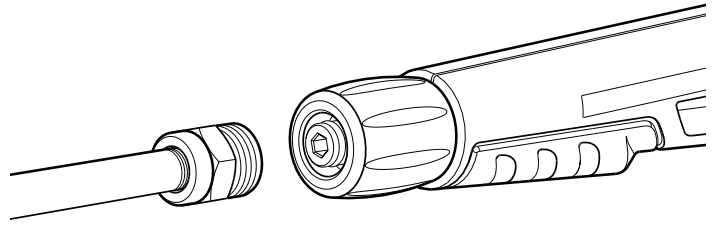


Conexión del extensión de la boquilla y boquilla 7 en 1

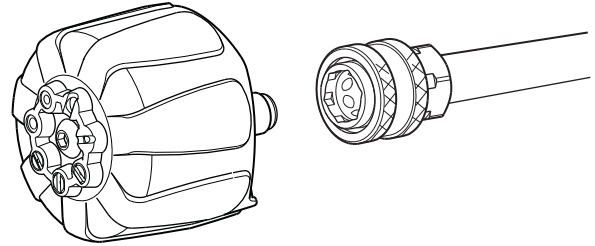
1. Abra el suministro de agua, dirija la pistola en una dirección segura, presione el botón para liberar el gatillo (F); luego apriete el gatillo para liberar el sistema de la bomba y la pistola pulverizadora de aire e impurezas.



2. Conecte la extensión de la boquilla a la pistola rociadora. Apriétela con las manos.



3. Tire hacia atrás el anillo del extensión de la boquilla, inserte la boquilla 7 en 1 y libere el anillo. Tire de la boquilla 7 en 1 para comprobar que está bien montada. Consulte la sección *Cómo usar la boquilla 7 en 1*.



4. Apague el agua y suelte el gatillo. Apunte la pistola hacia una dirección segura y compruebe que no se pueda apretar el gatillo.

Lista de verificación previa al arranque del motor de la bomba

Revise el montaje de la unidad para asegurarse de que haya realizado todas las siguientes acciones.

1. Asegúrese de leer *Seguridad del usuario y Funcionamiento* antes de usar la limpiadora a presión eléctrica.
2. Compruebe que las conexiones de manguera estén correctamente apretadas.
3. Asegúrese de que las mangueras no tengan nudos, cortes ni daños.
4. Coloque un suministro de agua adecuado con el flujo correcto.
5. Enchufe el cable de alimentación eléctrica a un circuito eléctrico dedicado para 120 V CA a 15 A que haya sido instalado conforme a todos los códigos y normativas locales. Compruebe que el circuito no se use para ningún otro suministro eléctrico.

Servicio a un aparato con doble aislamiento

En un producto con doble aislamiento, se proporcionan dos sistemas de aislamiento en lugar de la conexión a tierra. El producto con doble aislamiento no cuenta con ningún medio de conexión a tierra, ni se le debe añadir uno. El servicio a un producto con doble aislamiento requiere extrema atención y conocimiento del sistema, y sólo debe hacerlo el personal de servicio calificado. Los repuestos de un producto con doble aislamiento deben ser idénticos a las piezas que se reemplazan. Un producto con doble aislamiento está marcado con las palabras "DOUBLE INSULATION" (DOBLE AISLAMIENTO) o "DOUBLE INSULATED" (DOBLEMENTE AISLADO).

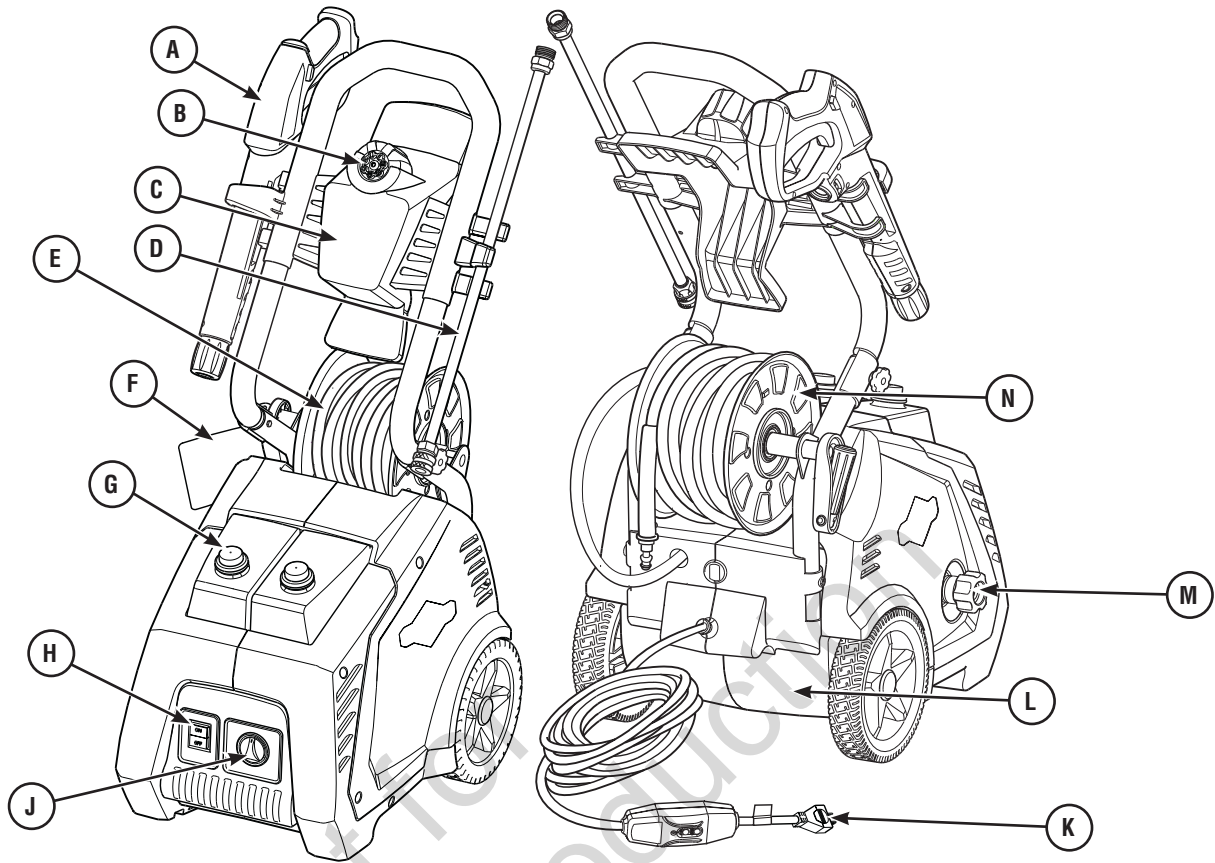
El símbolo  significa APARATO CON DOBLE AISLAMIENTO.

Características y controles



Lea el manual del usuario y las reglas de seguridad antes de hacer funcionar su limpiadora a presión eléctrica.

Compare las ilustraciones con la limpiadora a presión eléctrica para familiarizarse con la ubicación de los distintos controles y ajustes. Guarde este manual original para consultarlo en el futuro.



A - Pistola pulverizadora — Controla la aplicación de agua sobre la superficie por limpiar con un gatillo. Incluye traba de gatillo.

B - Boquilla 7 en 1 — Contiene siete boquillas con patrones de rociado diferentes para diversas aplicaciones.

C - Bandeja para accesorios — Es ideal para almacenar accesorios básicos y opcionales.

D - Extensión de boquilla con conector rápido — Le permite cambiar entre la boquilla 7 en 1 y los accesorios opcionales.

E - Manguera a alta presión — Conecte un extremo a la salida de agua a alta presión y el otro a la pistola pulverizadora.

F - Etiqueta de advertencia — Identifique los peligros que deben evitarse cuando utiliza la limpiadora a presión.

G - Depósitos de detergente — Se usan para contener hasta 0,95 litros (un cuarto de galón) de detergente seguro para lavadora a presión en cada depósito.

H - Interruptor principal de encendido/apagado — Presione el extremo superior del activador (I) para encender la limpiadora a presión. Presione el botón (O) del activador para apagar la limpiadora.

J - Interruptor selector de detergente — Le permite seleccionar el depósito del detergente que quiere usar.

K - Cable eléctrico con GFCI — La limpiadora a presión eléctrica y el operador están protegidos por un interruptor de circuito con fallos a tierra.

L - Etiqueta de identificación — Proporciona el modelo y el número de serie de la limpiadora a presión. En caso de llamar y solicitar ayuda, tenga la etiqueta cerca.

M - Entrada del suministro de agua — Conecte el suministro de agua utilizando una manguera para jardín de un máximo de 50 ft (15,24 m).

N - Carrete de manguera — Contiene un área de depósito para la manguera a alta presión.

Funcionamiento

Cómo arrancar la limpiadora a presión eléctrica

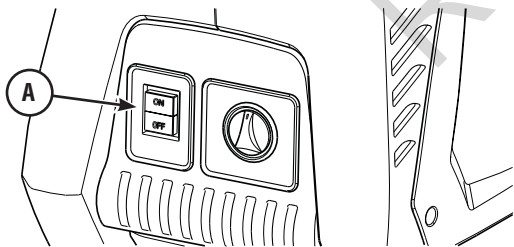
Siga las instrucciones que aparecen a continuación en el orden en el que se muestran. Si tiene problemas con el funcionamiento de la limpiadora a presión eléctrica, por favor, llame al número de teléfono de ayuda de la limpiadora a presión eléctrica **(800) 743-4115**.

ADVERTENCIA Riesgo de lesión ocular. El pulverizador podría salpicar o empujar objetos y esto podría causar lesiones graves. Cuando utilice o esté cerca de este dispositivo, colóquese gafas de seguridad con ventilación indirecta (salpicadura química) que cumplan con la disposición ANSI Z87.1. Jamás reemplace las gafas de seguridad o las gafas para tareas secas por gafas de seguridad con ventilación indirecta.

1. Coloque la limpiadora a presión eléctrica cerca de una fuente externa de agua que pueda suministrar agua a un flujo superior a 5 galones por minuto (18,9 L), no inferior a 20 psi (1,38 bares) en el extremo de la limpiadora a presión eléctrica de la manguera para jardín. **NO** trasvase el suministro de agua.
2. Conecte la manguera para jardín a la entrada de agua.
3. Verifique que la manguera a alta presión esté firmemente conectada a la pistola pulverizadora. Consulte *Conecte las mangueras y el suministro de agua* para ver los gráficos.

AVISO NO use la bomba sin el suministro de agua conectado y funcionando.

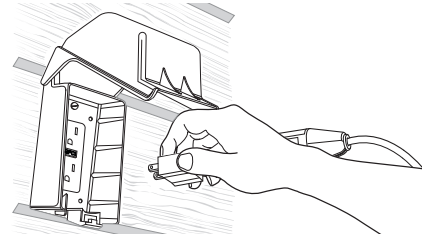
- Si no se siguen estas instrucciones y se daña el equipo, quedará anulada la garantía.
4. **ENCIENDA** el agua, apunte la pistola hacia una dirección segura, presione el botón de bloqueo del gatillo y apriete el gatillo para purgar de aire el sistema de la bomba.
 5. Instale el prolongador de la boquilla y la boquilla 7 en 1 en la pistola rociadora. Consulte la sección *Conexión de mangueras y suministro de agua y Cómo usar la boquilla 7 en 1* para conocer los detalles.
 6. Presione el interruptor principal de encendido/apagado **(A)** y llévelo a la posición de apagado (0).



ADVERTENCIA Riesgo de electrocución. El uso de un cable prolongador podría provocar electrocución y quemaduras, y tener como resultado lesiones graves o la muerte.

- **NO** utilice un cable prolongador con esta limpiadora a presión eléctrica. Es posible que la toma eléctrica residencial o el cable prolongador no le brinde protección con interrupción de circuito de fallo de conexión a tierra, crucial para la vida de una persona.

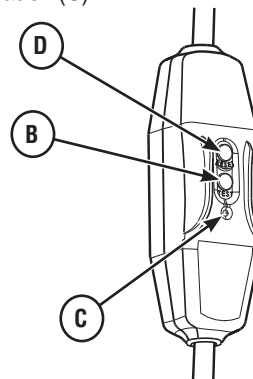
7. Enchufe el cable de alimentación eléctrica a un circuito eléctrico dedicado para 120 V CA a 15 A que haya sido instalado conforme a todos los códigos y normativas locales. El circuito no debe utilizarse para ningún otro suministro eléctrico. La luz de indicación en el GFCI debe estar **ENCENDIDA**.



AVISO La luz del indicador debe estar visible para que la limpiadora a presión eléctrica pueda funcionar.

ADVERTENCIA Riesgo de electrocución. Si no se utiliza un interruptor con circuito de fallo de conexión a tierra (GFCI), se podría producir daños materiales, lesiones o incluso la muerte. Si el luz del indicador no se mantiene encendido después de la prueba y el rearme, no utilice al GFCI.

8. Presione el botón **TEST** (prueba) **(B)**. Se debería apagar la luz del indicador **(C)**.



9. Presione el botón **RESET** (reiniciar) **(D)**. Se debería encender la luz del indicador **(C)**.

AVISO NO use la limpiadora a presión eléctrica si falla la prueba mencionada anteriormente.

10. Presione el interruptor principal de encendido/apagado de la limpiadora a presión y llévelo a la posición de encendido (I).
11. Apunte la pistola hacia una dirección segura, presione el botón de bloqueo del gatillo y apriete el gatillo. El motor de la limpiadora a presión eléctrica arrancará y se detendrá mientras se presiona y se suelta el gatillo de la pistola pulverizadora.

Ahora la limpiadora a presión eléctrica está lista para ser usada. Más adelante, en esta sección, encontrará las instrucciones de uso de los accesorios provistos.

Cómo detener la limpiadora a presión eléctrica

El motor de la limpiadora a presión eléctrica solo funciona cuando está presionado el gatillo. Para detener la limpiadora a presión eléctrica y apagar el motor:

1. Suelte el gatillo de la pistola pulverizadora.
2. Presione el interruptor principal de encendido/apagado y llévelo a la posición de apagado (0).

AVISO Al soltar el gatillo, se apagará el motor, pero no se cortará el suministro de energía a la unidad.

3. Desconecte el suministro de agua.
4. SIEMPRE apunte la pistola pulverizadora hacia una dirección segura y presione su gatillo para liberar la presión acumulada en la unidad.

⚠ ADVERTENCIA El chorro de agua de alta presión que produce esta unidad podría generar cortes en la piel y tejidos subcutáneos, lo cual provocaría lesiones graves o una posible amputación.

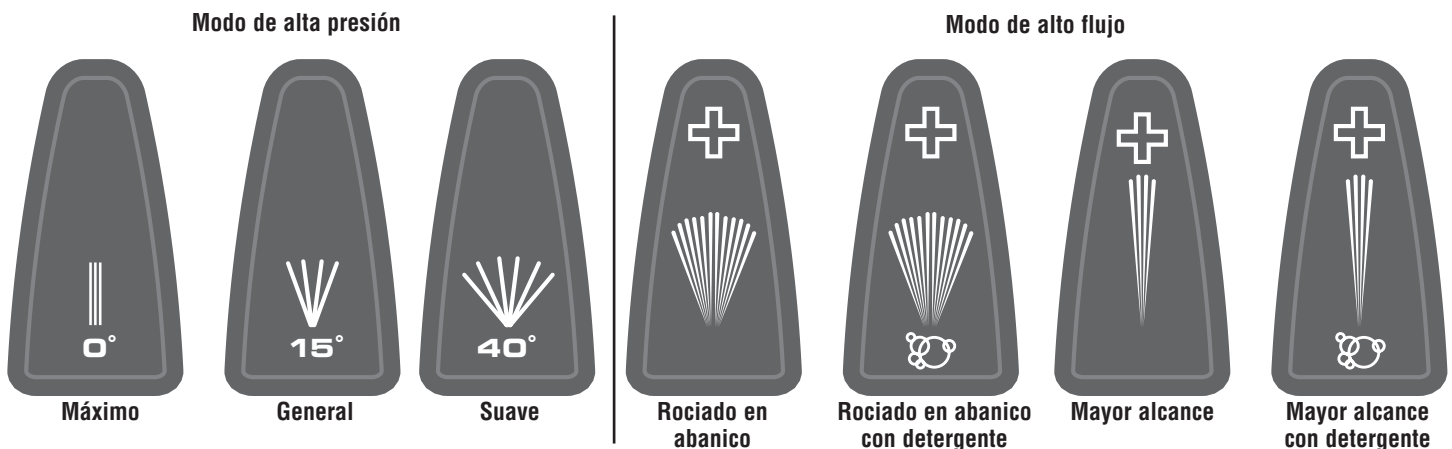
La pistola pulverizadora contiene agua a alta presión incluso cuando el motor está detenido y el suministro de agua desconectado. Esto podría provocar lesiones graves.

- Mientras el sistema esté presurizado, mantenga la manguera de alta presión conectada a la bomba y a la pistola pulverizadora.
- SIEMPRE apunte la pistola pulverizadora en una dirección segura, apriete el gatillo de la pistola para liberar la presión alta cada vez que apague la limpiadora a presión.

5. Desconecte el enchufe del GFCI de la salida y enrolle el cable de alimentación.
6. Enrolle la manguera a alta presión en el carrete de la manguera.
7. Enrolle y guarde el cable de alimentación eléctrica, la pistola rociadora, el prolongador de la boquilla y la boquilla 7 en 1 en la bandeja de accesorios.

Cómo usar la boquilla 7 en 1

La boquilla 7 en 1 le permite cambiar entre siete boquillas con patrones de rociado diferentes. Libere el gatillo en la pistola rociadora para activar el seguro antes de cambiar los patrones de rociado. Los patrones de rociado varían tal como se muestra a continuación.



Para cambiar los patrones de rociado, siga estas instrucciones:

1. Seleccione el patrón de rociado deseado:
 - Seleccione el ajuste máximo de 0° de la boquilla para superficies difíciles de limpiar o de alcanzar, como las que se encuentran en segundos pisos; para quitar pintura, manchas de aceite, óxido u otras sustancias resistentes (alquitrán, caucho, grasa, cera, etc.).
 - Seleccione el ajuste general de 15° de la boquilla para realizar tareas de limpieza más difíciles. Es ideal para remover la grasa y la suciedad de superficies difíciles. También se puede remover pintura cuando se sostiene en un ángulo de 45°.
 - Seleccione el ajuste suave de 40° de la boquilla para limpieza suave de carros/camiones, botes, vehículos recreativos (RV), muebles de jardín, equipo de jardinería, etc.
 - Seleccione el ajuste de boquilla de rociado en abanico para enjuagar la suciedad y las partículas pequeñas de manera óptima con el alto flujo.
 - Seleccione el ajuste de boquilla de rociado en abanico con detergente para limpieza delicada de superficies de carros, camiones, equipo de juego para niños, muebles de jardín, etc.
 - Seleccione el ajuste de boquilla de mayor alcance para una limpieza rápida con alto flujo y una limpieza de largo alcance para recubrimientos y ventanas en segundos pisos.
 - Seleccione el ajuste de boquilla de mayor alcance con detergente para aplicar detergente a recubrimientos y ventanas en segundos pisos.
2. Gire el disco hasta que el patrón de rociado deseado quede alineado con la flecha de la boquilla 7 en 1.

Sugerencias de uso

- Para la limpieza más eficaz, mantenga la boquilla 7 en 1 a una distancia de entre 20 y 61 cm (8 a 24 pulgadas) de la superficie que se limpia.
- Si aproxima la boquilla 7 en 1 demasiado, especialmente con una boquilla de patrón de rociado de alta presión, podría dañar la superficie que se limpia.
- Al limpiar neumáticos, no se acerque a más de 6 in (15 cm).

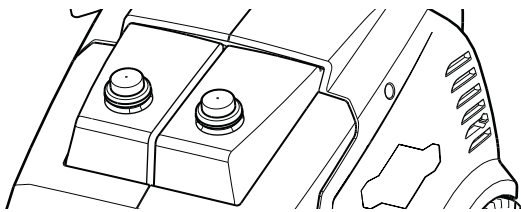
Cómo aplicar detergente

⚠ ADVERTENCIA Peligro de quemaduras químicas. Los productos químicos pueden causar quemaduras que ocasionen la muerte o heridas graves.

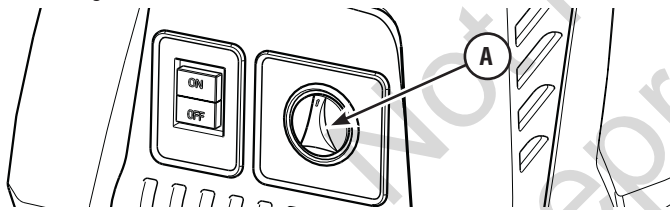
- Cuando utilice productos químicos, colóquese gafas de seguridad con ventilación indirecta (salpicadura química) que cumplan con la disposición ANSI Z87.1.
- NO reemplace las gafas de seguridad o las gafas para tareas secas por gafas de seguridad con ventilación indirecta.
- NO utilice líquido cáustico con la limpiadora a presión eléctrica.
- SOLO utilice detergentes/jabones seguros para la limpiadora a presión. Siga todas las instrucciones del fabricante.

Para aplicar detergente, siga estos pasos:

1. Revise el uso de la boquilla 7 en 1 que se muestra en la sección *Cómo usar la boquilla 7 en 1*.
2. Prepare una solución de detergente adecuada para el trabajo que realizará.
3. Retire el tapón de cada depósito para detergente.



4. Llene cada depósito con solución de detergente.
5. Vuelva a colocar el tapón en cada depósito para detergente.
6. Gire el interruptor selector de detergente (A) para seleccionar el detergente deseado.



7. Asegúrese de que esté seleccionada una de las boquillas del patrón de rociado con detergente en la boquilla 7 en 1.

AVISO No puede aplicarse detergente con las boquillas de alta presión (máxima, general, delicada, rociado en abanico o mayor alcance).

8. Asegúrese de que la manguera para jardín esté conectada a la entrada de agua. Verifique que la manguera a alta presión esté conectada a la pistola pulverizadora y a la carrete de la manguera. Encienda el agua.

AVISO Debe conectar todas las mangueras antes de arrancar la limpiadora a presión eléctrica.

9. Desenrolle por completo la manguera de alta presión del carrete de la manguera.
10. Arranque la limpiadora a presión eléctrica según las indicaciones de *Cómo arrancar la limpiadora a presión eléctrica*.
11. Aplique detergente a una superficie seca. Comience en una parte inferior de la zona que limpiará y vaya subiendo de forma amplia y pareja.
12. Deje que el detergente entre en “remojo” de 3 a 5 min antes de lavar y enjuagar. Vuelva a aplicar, según sea necesario, para evitar que la superficie se seque. Para evitar que queden vetas, NO DEJE que el detergente se seque en la superficie.

Enjuagar la limpiadora a presión eléctrica

1. Seleccione la boquilla de alta presión deseada siguiendo las instrucciones de la sección *Cómo usar la boquilla 7 en 1*.
2. Mantenga la pistola pulverizadora a una distancia segura de la zona que va a limpiar.

⚠ ADVERTENCIA Riesgo de rebote. La pistola pulverizadora puede generar un rebote y esto puede hacer que usted se caiga, lo cual podría provocarle la muerte o lesiones graves.

- Utilice la limpiadora a presión eléctrica desde una superficie estable.
- Tenga mucho cuidado en caso de que deba utilizar la limpiadora a presión eléctrica parado sobre una escalera, andamio o alguna ubicación similar.
- Agarre la pistola pulverizadora con ambas manos cuando utilice los distintos modos de pulverización para evitar lesiones cuando la pistola pulverizadora rebota.

3. Rocíe a alta presión en una zona pequeña y luego compruebe que no haya daños en la superficie. Si no encontró daños, puede continuar con el enjuague.
4. Comience en la parte superior de la zona por enjuagar y baje con movimientos amplios y parejos, al igual que cuando limpió.

Otros consejos de limpieza

- NUNCA descuide la limpiadora a presión eléctrica mientras está enchufada a una salida eléctrica y mientras se está suministrando agua al equipo.
- Si el extremo del pulverizador está muy lejos de la superficie que está lavando, la limpieza puede no ser tan efectiva.

Almacenamiento de los accesorios

La unidad está equipada con una bandeja de accesorios con compartimentos para guardar la pistola rociadora, el prolongador de la boquilla, la boquilla 7 en 1 y el cable de alimentación eléctrica. Puede identificar todos los accesorios con las ilustraciones de la sección *Características y mandos*.

Mantenimiento

Recomendaciones Generales

Realizar el mantenimiento con frecuencia mejorará el rendimiento y ampliará la vida útil de la limpiadora a presión eléctrica.

La garantía en esta limpiadora a presión eléctrica no cubre artículos que hayan sido sometidos a abusos o negligencia por parte del operador. Para sacar el máximo provecho de la garantía, el operador debe cumplir con todas las especificaciones aquí indicadas, entre ellas, el almacenamiento correcto de la limpiadora a presión eléctrica.

AVISO Si tiene preguntas sobre las piezas de repuesto de la limpiadora a presión eléctrica, por favor, llame al **(800) 743-4115** para obtener ayuda.

AVISO La limpiadora a presión eléctrica fue diseñada para utilizarse ÚNICAMENTE con componentes POWERflow+. El uso de componentes que no estén diseñados para POWERflow+ provocará que la limpiadora a presión no tenga un funcionamiento óptimo.

Antes de cada utilización

1. Limpie los desechos.
2. Verifique que la pantalla de entrada de agua no tenga suciedad y no esté dañada.
3. Verifique que la manguera a alta presión no tenga pérdidas.
4. Verifique el funcionamiento de la pistola pulverizadora.

Mantenimiento de la limpiadora a presión eléctrica

Limpieza de desechos

A diario, o antes de usarla, limpie los desechos acumulados en la limpiadora a presión eléctrica. Revise las ranuras y las entradas de aire de refrigeración adelante, atrás y abajo de la limpiadora a presión eléctrica. Estas aberturas deben estar limpias y sin obstrucciones.

Las piezas de la limpiadora a presión eléctrica deben mantenerse limpias para reducir el riesgo de sobrecalentamiento e incendio de desechos acumulados.

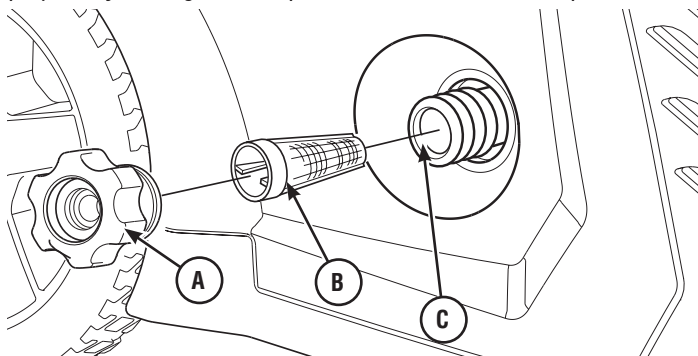
- Use un trapo húmedo para limpiar las superficies exteriores.

AVISO Si maneja inadecuadamente la limpiadora a presión eléctrica, podría dañarla y acortar su vida útil.

- NO inserte objetos a través de las ranuras de enfriamiento.

Verificación y limpieza de la pantalla de entrada de agua

Quite el acoplamiento de la entrada de agua (A). Luego, retire la pantalla de entrada de agua (B) de la entrada de agua de la unidad (C) con alicates de punta aguja. La entrada de agua está ubicada en la parte inferior frontal de la unidad. Revise la pantalla de entrada de agua. Si está sucia, límpiela con un cepillo pequeño y con agua. Si la pantalla está dañada, reemplácela.



Revisión de la manguera a alta presión

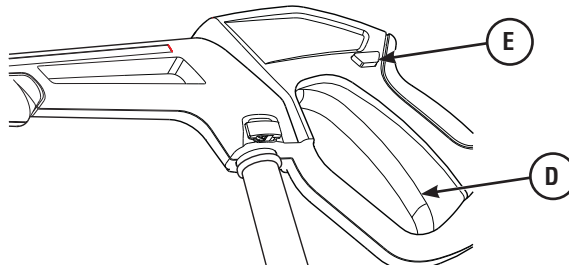
La manguera a alta presión puede tener pérdidas a causa del desgaste, los nudos y el mal uso. Siempre revise la manguera antes de usarla. Compruebe que no haya cortes, fugas, abrasiones o bultos en la cubierta, y daños o movimientos de acopladores. Si ocurre algo de lo mencionado anteriormente, reemplace la manguera inmediatamente.

⚠ ADVERTENCIA El chorro de agua de alta presión que produce esta unidad podría generar cortes en la piel y tejidos subcutáneos, lo cual provocaría lesiones graves o una posible amputación.

- NUNCA repare la manguera a alta presión. Cámbiela.
- La potencia de la manguera reemplazada DEBE ser igual o superior a la presión máxima de la unidad.

Revisión de la pistola pulverizadora

Revise la conexión de la manguera a la pistola pulverizadora y asegúrese de que esté firme. Pruebe el gatillo (D). Para ello, presione el botón de bloqueo del gatillo (E) y asegúrese de que el gatillo vuelva a su posición, como si fuera un resorte, al soltarlo. No debería poder presionar el gatillo sin presionar antes el botón de bloqueo del gatillo. Si estas pruebas fallan, cambie inmediatamente la pistola pulverizadora.



Mantenimiento del boquilla

Una presión excesiva en la bomba puede provocar una sensación de pulsación al apretar el gatillo de la pistola pulverizadora. El principal motivo de que haya presión excesiva en la bomba es que el boquilla está tapado o limitado por materiales externos como la tierra. Un boquilla tapado podría hacer que la bomba se encienda y se apague, o que no se encienda, incluso cuando haya algo de flujo.

Para corregir el problema, use estas instrucciones para limpiar inmediatamente el boquilla:

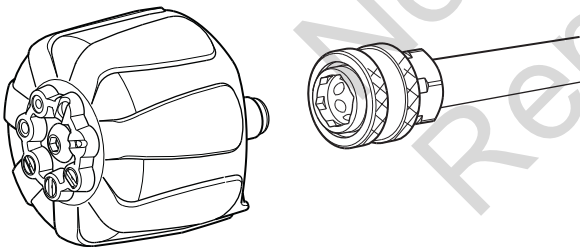
1. Presione el interruptor principal de encendido/apagado y llévelo a la posición de apagado (0). Quite el enchufe del cable de alimentación de la salida eléctrica.
2. Desconecte el suministro de agua de la limpiadora a presión eléctrica.
3. SIEMPRE apunte la pistola pulverizadora hacia una dirección segura. Presione el botón de bloqueo del gatillo y apriete el gatillo de la pistola pulverizadora para liberar el agua a alta presión retenida.

⚠ ADVERTENCIA El chorro de agua de alta presión que produce esta unidad podría generar cortes en la piel y tejidos subcutáneos, lo cual provocaría lesiones graves o una posible amputación.

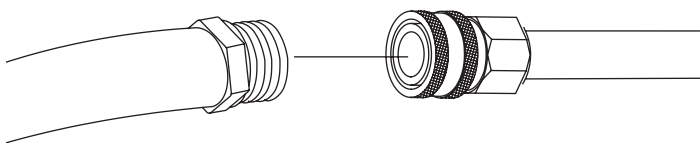
La pistola pulverizadora contiene agua a alta presión incluso cuando el motor está detenido y el suministro de agua desconectado. Esto podría provocar lesiones graves.

- Mientras el sistema esté presurizado, mantenga la manguera de alta presión conectada a la bomba y a la pistola pulverizadora.
- SIEMPRE apunte la pistola pulverizadora en una dirección segura, apriete el gatillo de la pistola para liberar la presión alta cada vez que apague la limpiadora a presión.

4. Quite el boquilla 7 en 1 de la extensión de la boquilla.



5. Utilice la herramienta de limpieza de la boquilla que se proporciona o un clip para papel pequeño para liberar todo el material extraño que obstruya o restrinja alguna de las boquillas.
6. Utilice una manguera para jardín para quitar los restos enviando agua por la extensión de la boquilla. Circule agua entre 30 y 60 segundos.



7. Vuelva a colocar el boquilla 7 en 1 en la extensión de la boquilla.

8. Vuelva a conectar la extensión de la boquilla a la pistola pulverizadora.
9. Asegúrese de que la manguera para jardín esté conectada a la entrada de agua. Verifique que la manguera a alta presión esté conectada a la pistola pulverizadora. Encienda el agua.
10. Enchufe el cable de alimentación en una salida eléctrica, presione el interruptor principal de encendido/apagado de la limpiadora a presión y llévelo a la posición de encendido (I).
11. Compruebe la limpiadora a presión eléctrica utilizando cada extremo del pulverizador de conexión rápida.

Mantenimiento de la bomba y del motor

La bomba y el motor de la limpiadora a presión eléctrica no requieren mantenimiento. Ambos conjuntos están prelubricados y sellados, y no es necesario volver a lubricarlos.

Después de cada utilización

El agua no debería permanecer durante mucho tiempo en la unidad. Los sedimentos o los minerales pueden depositarse en las piezas de la bomba y “congelar” su funcionamiento. Después de cada uso, siga estos procedimientos:

1. Presione el interruptor principal de encendido/apagado y llévelo a la posición de apagado (0). Quite el enchufe del cable de alimentación de la salida eléctrica.
2. Corte el agua, apunte la pistola hacia una dirección segura, presione el botón de bloqueo del gatillo y apriete el gatillo para liberar la presión atrapada.
3. Desconecte la manguera para jardín del suministro de agua y de la limpiadora a presión eléctrica.
4. Desconecte la manguera de la pistola pulverizadora. Drene el agua de la manguera, de la pistola y de la extensión de la boquilla. Utilice un trapo para limpiar la manguera.
5. Drene el agua de la bomba inclinando la unidad un poco hacia adelante y luego hacia la derecha (con la entrada de agua hacia abajo).
6. Enrolle el cable de alimentación eléctrica y guárdelo en la bandeja de accesorios.
7. Coloque la pistola rociadora, el prolongador de la boquilla y la boquilla 7 en 1 en la bandeja de accesorios.
8. Enrolle la manguera a alta presión en el carrete de la manguera.
9. Guarde la unidad en una zona limpia y seca.
10. Si la va a guardar durante 30 días o más, consulte la sección *Almacenamiento en invierno o durante largos períodos*, en la página siguiente.

Almacenamiento en invierno o durante largos períodos

El agua no debería permanecer durante mucho tiempo en la unidad. Los sedimentos o los minerales pueden depositarse en las piezas de la bomba y “congelar” su funcionamiento.

Procedimientos iniciales de almacenamiento

1. Limpie los depósitos de detergente retirándolos de la unidad y vaciando toda la solución restante.

AVISO Desconecte las mangueras conectadas a la parte inferior de los depósitos de detergente.

2. Enjuague los depósitos de detergente con agua limpia, vuelva a conectar las mangueras y colóquelos nuevamente en la unidad.
3. Ponga en funcionamiento la limpiadora a presión eléctrica con la boquilla de rociado para detergente seleccionada. Realice la limpieza uno o dos minutos.
4. Sitúe el interruptor principal ON/OFF en la posición OFF (0). Desconecte el enchufe del cable de alimentación de la toma eléctrica.
5. Cierre el suministro de agua. Apunte con la pistola a una dirección segura, presione el botón del seguro del gatillo y apriete el gatillo para eliminar la presión contenida. Espere un momento y suelte el gatillo de la pistola rociadora.
6. Desconecte la manguera de riego del suministro de agua y de la limpiadora a presión eléctrica. Desconecte la manguera de presión de la pistola rociadora.
7. Drene el agua de la manguera y de la pistola rociadora, después utilice un paño o algo similar para limpiar todas las superficies exteriores.
8. Asegúrese de que la entrada de la manguera esté desconectada de la bomba. Luego, drene el agua de la bomba inclinando la unidad un poco hacia adelante y luego hacia la derecha (con la entrada de agua hacia abajo).

AVISO El agua que queda en la bomba puede congelarse y dañar permanentemente la bomba.

Protección de la bomba

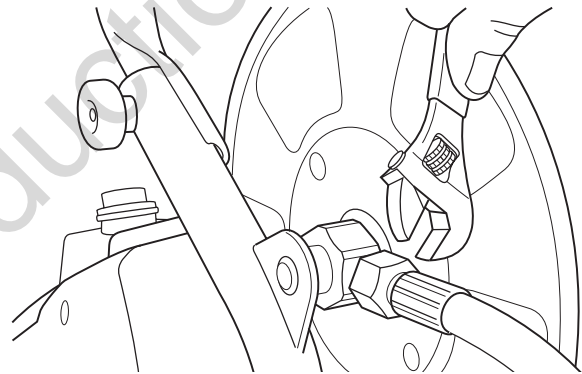
Para proteger la bomba de daños provocados por depósitos de minerales o congelamiento, utilice la PumpSaver, modelo 6039, para tratar la bomba. Esto evita daños por congelamiento y lubrica el pistón y los cierres.

AVISO La PumpSaver está disponible como un accesorio opcional. No viene incluida con la limpiadora a presión eléctrica. Para comprar la PumpSaver, póngase en contacto con el centro de mantenimiento autorizado más cercano.

AVISO Debe proteger la unidad de temperaturas extremadamente bajas.

- Si no lo hace, le causará un daño permanente a la bomba y la unidad quedará inservible.
- La garantía no cubre daños por congelamiento.

Para utilizar PumpSaver, asegúrese de que la limpiadora a presión eléctrica esté apagada y que esté desconectada la manguera de entrada. Con una llave de 22 mm, quite la manguera de alta presión del lado izquierdo del carrete para manguera. Lea y siga todas las instrucciones y advertencias que se indican en el envase del PumpSaver. Después de dar tratamiento con PumpSaver, vuelva a conectar la manguera de alta presión al carrete para manguera y apriete bien.



Procedimientos para el almacenamiento final

1. Enrolle el cable de alimentación y guárdelo en la bandeja para accesorios.
2. Enrolle la manguera a alta presión en el carrete de la manguera.
3. Guarde la pistola rociadora, el prolongador de la boquilla y la boquilla en la bandeja de accesorios.
4. Guarde la unidad en un área limpia y seca que esté protegida contra las bajas temperaturas.
5. Cubra la unidad con una manta protectora apropiada que no retenga la humedad.

Resolución de problemas

Problema	Causa	Solución
<p>La bomba tiene los siguientes problemas: no genera presión, presión errática, vibración, pérdida de presión, bajo volumen de agua.</p>	<ol style="list-style-type: none"> 1. La entrada de agua está bloqueada. 2. Suministro de agua inadecuado. 3. La manguera para jardín está enroscada o tiene pérdidas. 4. Revise la pantalla de entrada de agua. 5. El suministro de agua supera los 100 °F (38 °C). 6. La manguera de alta presión está obstruida, tiene fugas o no fue desenrollada del carrete. 7. El boquilla está tapado. 8. Falla la bomba. 	<ol style="list-style-type: none"> 1. Libere la entrada. 2. Proporcione un flujo de agua adecuado. 3. Estire la manguera para jardín o reemplácela si pierde. 4. Revise y limpie la pantalla de entrada de agua 5. Proporcione un suministro de agua más fresca. 6. Elimine las obstrucciones en la manguera de alta presión, reemplace la manguera o desenróllela del carrete. 7. Limpie el boquilla. 8. Póngase en contacto con el centro de servicio técnico de Briggs & Stratton.
<p>La unidad no se enciende cuando se aprieta el gatillo de la pistola pulverizadora.</p>	<ol style="list-style-type: none"> 1. El suministro de agua no está encendido. 2. La unidad no está encendida. 3. La manguera para jardín es demasiado larga. 4. Fusible fundido o disyuntor activado. 	<ol style="list-style-type: none"> 1. Encienda el suministro de agua. 2. Coloque el interruptor principal de encendido/apagado en la posición de encendido (I). Reinicie el GFCI. 3. Utilice una manguera para jardín de 50 ft (15,24 m) como máximo. 4. a.) Compruebe en el cuadro de fusibles si hay algún fusible fundido y reemplace según sea necesario o restablezca el disyuntor. No utilice un fusible o disyuntor de mayor capacidad que la especificada para el circuito derivado en particular. b.) Desconecte los demás aparatos eléctricos y apague las luces en el circuito o haga funcionar la limpiadora a presión en su propio circuito dedicado. c.) Haga funcionar la limpiadora a presión en cualquier ajuste de boquilla POWERflow+ durante 5 minutos. Es posible que sea necesario aflojar el motor.
<p>El detergente no se mezcla con el pulverizador.</p>	<ol style="list-style-type: none"> 1. Apague el interruptor selector de detergente. 2. Se seleccionó boquilla para alta presión o alto flujo sin detergente. 	<ol style="list-style-type: none"> 1. Gire la perilla del selector de detergente para seleccionar el depósito deseado. 2. Seleccione un ajuste de boquilla para alto flujo con detergente (indicada con burbujas).

POLÍTICA DE GARANTÍA PARA EL PROPIETARIO DE UNA LAVADORA A PRESION BRIGGS & STRATTON POWER PRODUCTS GROUP, LLC

Fecha de entrada en vigor: 1 de Noviembre de 2012; sustituye a todas las garantías sin fecha y a las de fecha anterior al 1 de Noviembre de 2012.

GARANTÍA LIMITADA

Briggs & Stratton Power Products Group, LLC reparará o sustituirá sin cargo alguno cualquier componente de la lavadora a presión que presente defectos de materiales y/o mano de obra. Los gastos de transporte del producto enviado para reparar o sustituir conforme a los términos de esta garantía correrán a cargo del comprador. El período de vigencia y las condiciones de esta garantía son los que se estipulan a continuación. Para servicio de garantía, contacto con Atención al Cliente de Briggs & Stratton llamando al (800) 743-4115 o por Internet en BRIGGSandSTRATTON.COM.

No existe ninguna otra garantía explícita. Las garantías implícitas, incluidas las de comerciabilidad o idoneidad para un fin en particular, se limitan a un año a partir de la fecha de compra o al límite de tiempo permitido por la ley. Queda excluida cualquier otra garantía implícita. Queda excluida la responsabilidad por daños secundarios y derivados hasta el límite permitido por la ley. Algunos países o estados no permiten limitar la duración de una garantía implícita ni excluir o limitar los daños secundarios y derivados. Por tanto, es posible que las limitaciones y exclusiones mencionadas no sean aplicables en su caso. Esta garantía le otorga determinados derechos legales y es posible que tenga otros derechos que pueden variar de un país o estado a otro**.

PERÍODO DE GARANTÍA

Uso del consumidor	1 año
Uso comercial	Ninguno

**En Australia – Nuestros bienes incluyen garantías que no pueden excluirse bajo la Ley del consumidor australiana. Usted tiene derecho a una sustitución del producto o devolución de su dinero debido a un fallo importante y como compensación por cualquier otra pérdida o daño razonablemente previsible. También tiene derecho a que se reparen o reemplacen los bienes si estos no cumplen con una calidad aceptable y si el fallo no se considera un fallo importante. Para recibir el servicio en garantía, localice el distribuidor de servicio autorizado más próximo en nuestro mapa de distribuidores en BRIGGSandSTRATTON.COM, o bien, llame al 1300 274 447, envíe un correo electrónico o escriba a salesenquires@briggsandstratton.com.au, Briggs & Stratton Australia Pty Ltd, 1 Moorebank Avenue, NSW, Australia, 2170.

El período de garantía comienza en la fecha de compra del primer usuario final y se prolonga durante el tiempo especificado. “Uso del consumidor” significa uso doméstico personal por parte de un consumidor final. “Uso comercial” significa cualquier otro uso, incluidos los usos con fines comerciales, de generación de ingresos o alquiler. Una vez que el equipo se haya usado con fines comerciales, se considerará como equipo de uso comercial a efectos de esta garantía. Los equipos utilizados para suministrar energía en sustitución de un servicio público no pueden acogerse a esta garantía.

NO ES NECESARIO REGISTRAR LA GARANTÍA PARA OBTENER SERVICIO DE BRIGGS & STRATTON PRODUCTS. GUARDE SU RECIBO DE COMPRA. SI NO APORTA LA PRUEBA DE LA FECHA DE COMPRA INICIAL, SE UTILIZARÁ LA FECHA DE FABRICACIÓN DEL PRODUCTO PARA DETERMINAR EL PERÍODO DE GARANTÍA.

ACERCA DE LA GARANTÍA

Esperamos que disfrute de nuestra garantía y le pedimos disculpas por las molestias causadas. La mayoría de las reparaciones en garantía se gestionan normalmente, pero algunas veces la solicitud de servicio en garantía puede no ser procedente. Por ejemplo, la garantía no será válida si el equipo presenta daños debidos al mal uso, la falta de mantenimiento, el transporte, la manipulación, el almacenamiento o la instalación inadecuados. De manera similar, la garantía quedará anulada si se ha borrado la fecha de fabricación o el número de serie de la limpiadora a presión, o si el equipo ha sido alterado o modificado. Durante el período de garantía, Briggs & Stratton podrá reparar o sustituir, a su libre elección, cualquier pieza que, previa inspección, sea defectuosa en condiciones normales de uso y servicio. Esta garantía no cubre las reparaciones y los equipos que se detallan a continuación:

- **Desgaste normal.** Al igual que cualquier otro aparato mecánico, los equipos de uso en exteriores necesitan piezas y mantenimiento periódicos para funcionar correctamente. Esta garantía no cubre las reparaciones cuando el uso normal haya agotado la vida útil de una pieza concreta del equipo.
- **Instalación y mantenimiento.** Esta garantía no cubre los equipos ni las piezas cuya instalación sea incorrecta o no haya sido autorizada, ni aquellos que hayan sido objeto de cualquier tipo de alteración, mal uso, negligencia, accidente, sobrecarga, exceso de velocidad o mantenimiento, reparación o almacenamiento inadecuados que, a nuestro juicio, haya afectado negativamente a su funcionamiento y su fiabilidad. La garantía tampoco cubre el mantenimiento normal, como los filtros de aire, los ajustes y la limpieza o la obstrucción del sistema de combustión (debido a materias químicas, suciedad, carbón, cal, y así sucesivamente).
- **Otras exclusiones.** Esta garantía excluye los elementos sujetos a desgaste, como las conectores, juntas, las juntas tóricas, las bombas que se hayan hecho funcionar sin agua y los daños derivados de accidentes, uso indebido, modificaciones, alteraciones, servicio inadecuado, congelación o deterioro químico. Los accesorios tales como pistolas, mangueras, extensiones de boquilla (varillas) y boquillas quedan excluidos de la garantía del producto. Esta garantía excluye los equipos usados o reacondicionados y los destinados a demostraciones y los fallos debidos a hechos fortuitos y a otros acontecimientos de fuerza mayor que escapan al control del fabricante. 206457S, Rev. C, 10/23/2012

BRIGGS & STRATTON POWER PRODUCTS GROUP, LLC
MILWAUKEE, WI, EE.UU.

Español

es



Limpiadora a presión eléctrica Briggs & Stratton

Especificaciones del producto

Presión de salida máxima ..1800 PSI (124,1 BAR)* @ 1.1 GPM (4,1 liters/min)	
Caudal máxima.....4.0 GPM (15,1 liters/min)* @ 100 PSI (6,9 BAR)	
Mezcla de detergente	Ver las instrucciones de MFR
Temperatura del suministro de agua.....	No debe superar los 100 °F (38 °C)
Motor	De tipo universal (cepillo)
Rango de voltaje.....	120 VCA
Corriente.....	14,5 A

* Esta limpiadora a presión está clasificada conforme a la norma PW101-2010 (Comprobación y Clasificación de Rendimiento de Limpiadoras a Presión) de la Asociación de Fabricantes de Lavadoras a Presión (PWMA).

Not for
Reproduction

Briggs & Stratton Power Products Group, LLC
P.O. Box 702
Milwaukee, Wisconsin, 53201-0702 EE. UU.