

quick start guide

English

RFG298HD*
RFG297HD*
RFG296HD*
RFG29PHD*
RFG29THD*

Product features



Surround Multi Flow

With its center positioned fan and multiple air flow conduits, your refrigerator provides uniform cooling for each shelf and food compartment.



16" Pizza Corner

Stores frozen pizzas up to 16" in diameter if the flap is turned up.



Twin Cooling System

With separate evaporators for the freezer and the refrigerator compartments, your refrigerator cools each compartment individually. This means that each compartment is cooled by itself, as needed, giving you greater efficiency. What's more, because the compartments are cooled separately, and have separate air flows, food odors from the refrigerator do not affect food in the freezer.



One lever dispenser

Press one lever to get either ice or water easily.



Control Pantry Temperature from Outside Pantry

Adjust Pantry temperature from outside the Pantry with Pantry cover closed. Select Deli (about 41 F or 5 C), Fresh (about 38 F or 3 C), or Chilled (about 34 F or 1 C). User friendly design helps keep food fresh longer.



Secure Auto Close door System

- Provides cool, tight fitting doors that keep the cold air in
- Saves energy
- Prevents condensation on the fridge doors



Easy Handle System

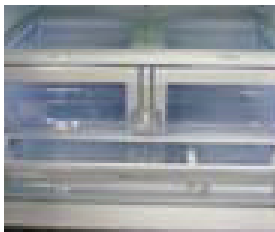
- Ez-open Freezer Door
- Ergonomic Door Design



Dual ice maker

- 9 cube Ice-Maker (Refrigerator)
- 7 cube Ice-Maker (Freezer)

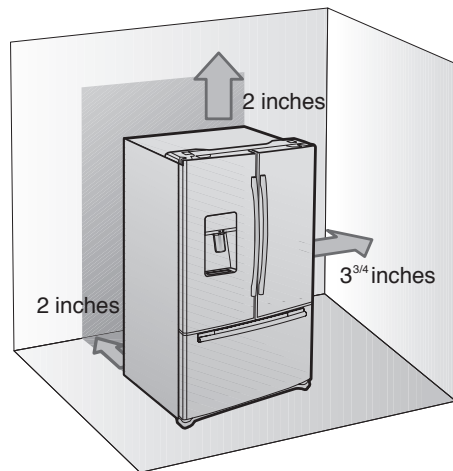
FOR RFG298HD* / RFG296HD*



Slim Water Filtration System

A slim water filter is placed between crispers so you can change the filter easily without removing items from the Refrigerator.

The Installation Space



Selecting the best location for the refrigerator

- A location with easy access to the water supply.
- A location without direct exposure to sunlight.
- A location with a leveled floor.
- A location with enough space for the refrigerator doors to open easily.
- A location that allows sufficient space to the right, left, back and top for air circulation.
- A location that allows you to move the refrigerator easily if it needs maintenance or service.

If the refrigerator does not have enough space, the internal cooling system may not work properly.

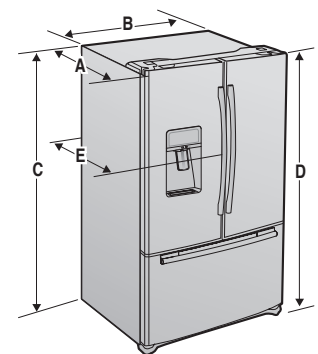
If your refrigerator has an ice maker, allow extra space at the back for the water line connections.

When you install the refrigerator next to a fixed wall, you need a minimum clearance of 3 3/4" (95mm) between the refrigerator and wall to allow the door to swing open.

First thing! Make sure that you can easily move your refrigerator to its final location by measuring doorways (both width and height), thresholds, ceilings, stairways, etc.

The following chart details the exact height and depth of this Samsung French Door Refrigerator.

Model	Depth "A"	Width "B"	Height "C"	Overall Height "D"	Depth "E"
RFG296** RFG297** RFG298** RFG29P** RFG29T**	33 1/8" 842mm)	35 3/4" (908mm)	68 1/2" (1740mm)	69 3/4" (1774mm)	35 5/8" (904mm)

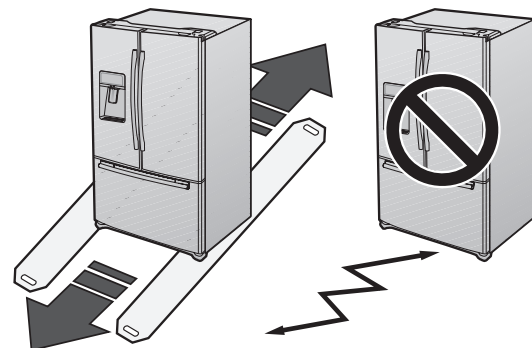


- Allow clearance to the right, left, back and top when installing. This will help reduce power consumption and keep your energy bills lower.
- Do not install the refrigerator where the temperature will go below 50 °F (10 °C).
- Do not locate the refrigerator where it may become wet.



FLOORING

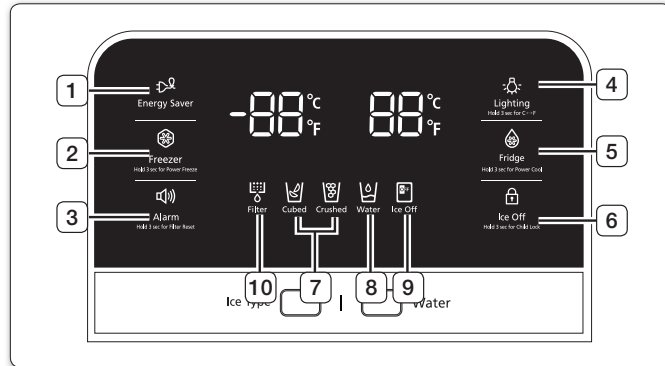
For proper installation, this refrigerator must be placed on a leveled surface of hard material that is the same height as the rest of the flooring. This surface should be strong enough to support a fully loaded refrigerator, or approximately 359lbs (165kg). To protect the finish of the flooring, cut a large section of the cardboard carton and place it under the refrigerator where you are working. When moving a refrigerator, you need to pull and push it straight forwards or back. Do not wiggle it from side to side.



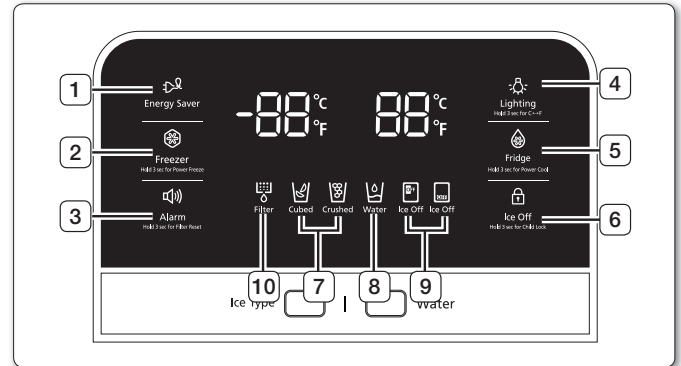
Operating your French Door Refrigerator (RF G297**/296**/298**/29P**/29T**MODEL)

USING THE CONTROL PANEL

RFG297**, RFG29P**



RFG296**, RFG298**, RFG29T**



(1) Energy Saver

Touching this button turns Energy Saver mode on and off. When you turn Energy Saver on, the Energy Saver icon lights. Turn Energy Saver off and the icon goes off. The Energy Saver function automatically turns on. When power is supplied to the refrigerator. If condensation or water drops appear on the doors, turn the Energy Saver mode off.

(2) Freezer (Hold 3 sec for Power Freeze)

Touch this **button to set the freezer to your desired temperature.** You can set the temperature between -8 °F and 8 °F (between -22 °C and -14 °C). Touch and hold this **button for 3 seconds to decrease the time needed to freeze products** in the Freezer. It can be helpful if you need to quickly freeze easily spoiled items or if the temperature in the freezer has warmed dramatically (For example, if the door was left open).

(3) Alarm / hold 3 sec for Filter Reset

This button serves two purposes:

- 1) To turn the door open alarm on and off. If the door alarm is set to On, an alarm beeps if any refrigerator door is left open for more than three minutes. The beeping stops when you close the door. The door alarm function is pre-set to On in the factory. You can turn it off by touching and then releasing the Alarm/ Hold button. You can turn it back on in the same function. The icon lights up when the function is on.
- 2) To reset the water filter life indicator. After you replace the water filter, touch and hold this button for 3 seconds to reset the water filter life indicator.

(4) Lighting/ Hold 3 sec for C ↔ F

Touching this button turns on the Dispenser LED lamp (under the display) in continuous mode so that it stays on continuously. The button also lights up. If you want the Dispenser lamp to come on only when someone uses the dispenser, touch this button to turn the continuous mode off. Touch and hold this button for 3 seconds to switch the temperature units between °C and °F.

(5) Fridge (Hold 3sec for Power Cool)

Touch this button to set the fridge to your desired temperature. You can set the temperature between 34 °F and 46 °F (between 7 °C and 1 °C). Touch and hold this **button for 3 seconds to decrease the time needed to cool products in the Refrigerator.** It can be helpful if you need to quickly cool easily spoiled items or if the temperature in the fridge has warmed dramatically (For example, if the door was left open).

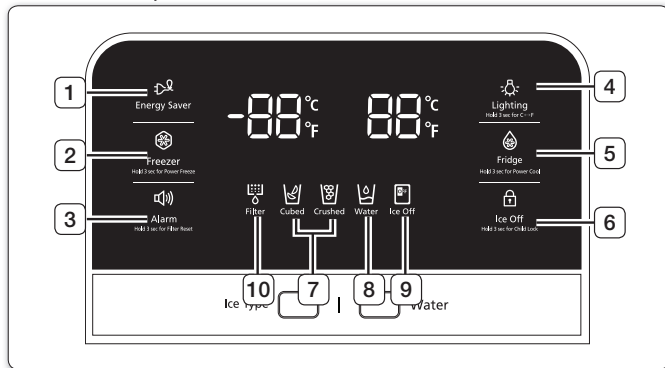
(6) Ice Off (Hold 3sec for child lock)

If you don't want to make more ice, touch this button. Also, pressing this button for 3 seconds turns on Child Lock which locks the display panel and dispenser buttons so the buttons can not be used. The Child Lock icon lights up to indicate you've activated the Child Lock function. Press 3 seconds to unlock.

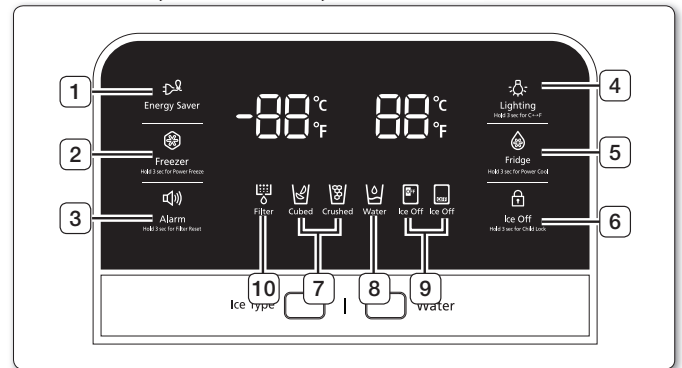
Operating your French Door Refrigerator (RF G297**/296**/298**/29P**/29T**MODEL)

USING THE CONTROL PANEL

RFG297**, RFG29P**



RFG296**, RFG298**, RFG29T**



(7) Ice Type

Touch this button to select your desired ice type.
Cubed and crushed ice modes alternate when you press the button.
This mode can not be used with the Water mode simultaneously.

(8) Water

Touch this button to dispense water.
This mode can not be used with the Ice Type mode simultaneously.
Water mode will turn off if you touch the Ice Type button.

Cooling Off Mode

Cooling Off mode (also called Shop mode), is designed for use by retailers when they are displaying refrigerators on the shop floor.
 In Cooling Off mode, the refrigerator's fan motor and lights work normally, but the compressors do not run, and the refrigerator and freezer do not get cold.
 To start Cooling Off mode, touch and hold the Energy Saver button and the Power Freeze button for 3 seconds during normal operation. The refrigerator chime sounds and the temperature display flashes OF OF.
 To cancel Cooling Off mode, touch and hold the Energy Saver and the Power Freeze buttons again for 3 seconds.

(9) Ice Off

If you don't want to make more ice, touch the Ice Off button.
 The icon will light up and the Ice-Maker stops making ice.

We recommend you stop ice making if the following occur:

- There is enough ice in the ice bucket.
- You want to save water and energy.
- Water is not being supplied to the refrigerator.

If the ice maker function is ON, and the water Line is not connected, there will be a water valve noise from the back of the unit, press the Ice Off (Hold 3sec for child lock) button for less than 3 seconds until the Ice Off Indicator () illuminates.

(10) Filter

Water filter usage

This icon will light up when you need to change the filter. After you use about 300 gallons of water, the filter indicator light up.(about 6 month).
 After install the new water filter, reset the filter indicator by touching this button.

- If water is not dispensing or dispensing slowly, you need to replace the water filter because the water filter is clogged.
- Some areas have large amounts of lime in their water, which causes the water filter to clog more quickly.

Operating your French Door Refrigerator

CONTROLLING THE TEMPERATURE

Basic temperature of Freezer and Refrigerator compartments

The recommended temperatures for the Freezer and Refrigerator Compartments are -2 °F (-19 °C) and 38 °F (3 °C) respectively.

If the temperature of Freezer and Refrigerator Compartments are too high or low, adjust the temperature manually.

Controlling the Freezer temperature

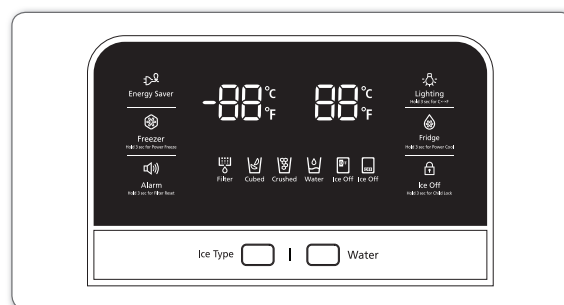
You can set the Freezer temperature between -8 °F (-22 °C) and 8 °F (-14 °C) to suit your particular needs. Press the Freezer button repeatedly until the desired temperature is shown in the temperature display.

The temperature will change by 2°F (or 1°C) with each press. See below.

Fahrenheit : -2 °F → -4 °F → -6 °F → -8 °F → 8 °F → 6 °F → 4 °F → 2 °F → 0 °F → -2 °F.

Centigrade : -19 °C → -20 °C → -21 °C → -22 °C → -14 °C → -15 °C → -16 °C → -17 °C → -18 °C → -19 °C.

Keep in mind that foods like ice cream may melt at 4 °F (0 °C). The temperature display will move sequentially from -8 °F (-22 °C) to 8 °F (-14 °C).



Recommend Temp (Freezer) : -2 °F (-19 °C)

Controlling the fridge temperature

You can set the fridge temperature between 46 °F (7 °C) and 34 °F (1 °C) to suit your particular needs.

Press the Fridge button repeatedly until the desired temperature is shown in the temperature display.

The temperature will change by 2 °F (or 1°C) with each press. See below.

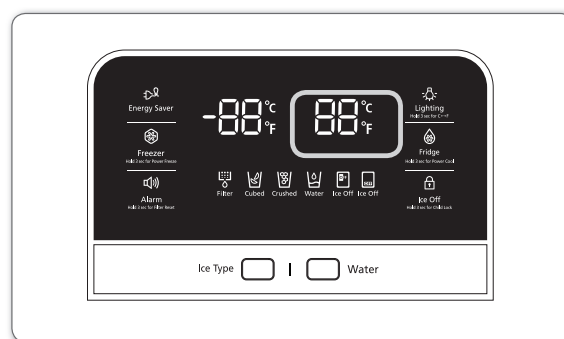
Fahrenheit : 38 °F → 36 °F → 34 °F → 46 °F → 44 °F → 42 °F → 40 °F → 38 °F.

Centigrade : 3 °C → 2 °C → 1 °C → 7 °C → 6 °C → 5 °C → 4 °C → 3 °C.

The temperature control process for the Fridge works just like the Freezer process. Press the Fridge button to set your desired temperature.

After a few seconds, the Fridge will begin adjusting towards the newly set temperature.

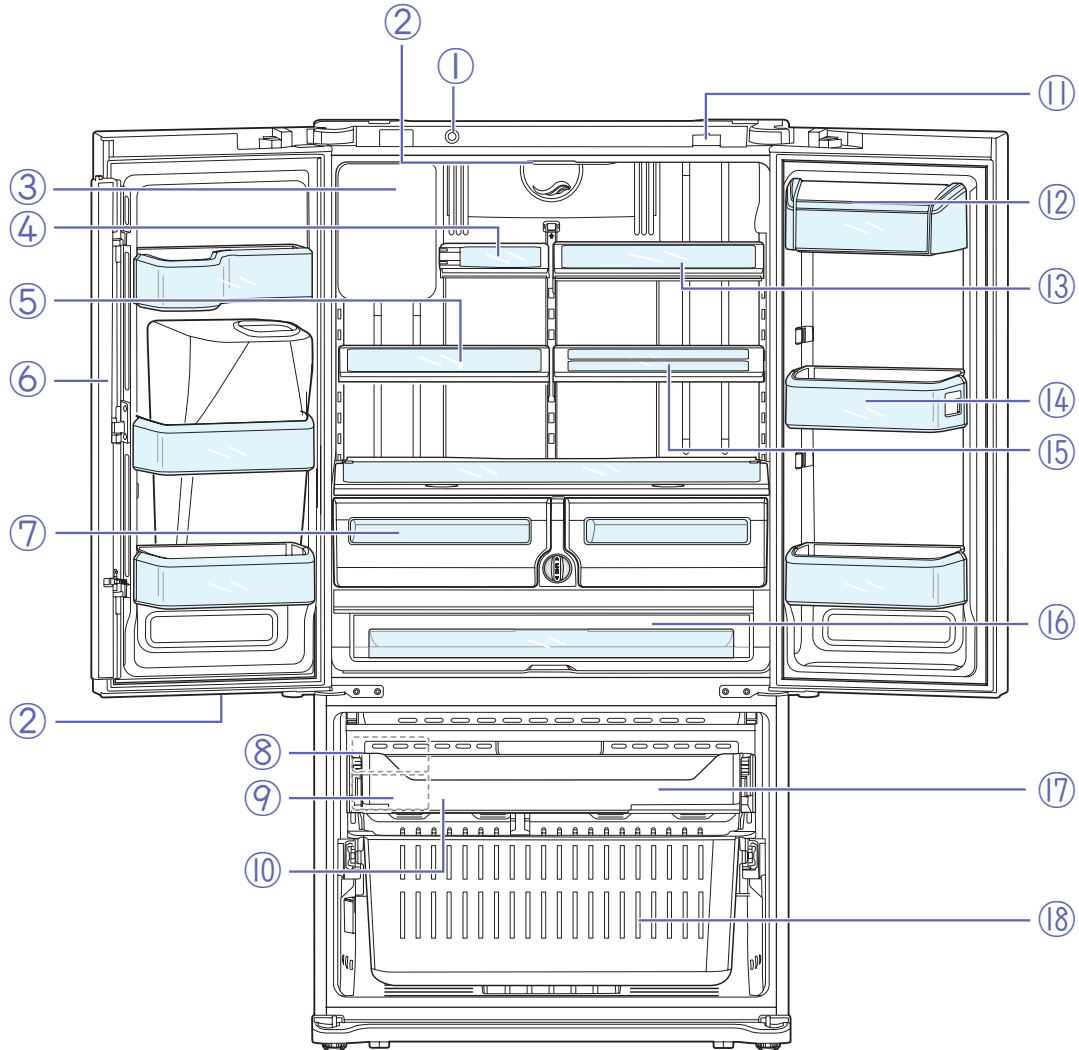
This will be reflected in the digital display.



Recommend Temp (Fridge) : 38 °F (3 °C)

Names and basic functions

NAME OF EACH COMPONENT



1. Interlocking switch	7. Vegetable & Fruit Drawers	13. Tempered glass shelves
2. Light	8. FZ Ice-Maker (on some model)	14. Door Bins
3. FF Ice-Maker	9. Tilting Pocket	15. Quick-Space Glass Shelf
4. Foldable-Shelf	10. Ice Bucket	16. Cool Select Pantry ^{PLUS}
5. Slide-Shelf	11. Door Closer	17. Auto Pull Out Drawer
6. Vertical Hinged Section	12. Dairy Compartment	18. Freezer Drawer Bin

Troubleshooting

PROBLEM	SOLUTION
The refrigerator does not work at all or it does not chill sufficiently.	<ul style="list-style-type: none"> • Check that the power plug is properly connected. • Check if the set temperature on the digital display is warmer than the freezer or fridge inner temperature. If it is, set the refrigerator colder. • Is the refrigerator in direct sunlight or located near a heat source? • Is the back of the refrigerator too close to the wall, preventing proper ventilation?
The food in the fridge is frozen.	<ul style="list-style-type: none"> • Check if the set temperature on the digital display is too low. • Try setting the refrigerator to a warmer temperature. • Is the temperature in the room too low? Set the refrigerator warmer. • Did you store the food which is juicy in the coldest part of the refrigerator? Try moving those items to the other shelves in fridge instead of keeping them in the colder areas or bins.
You hear unusual noise or sounds.	<ul style="list-style-type: none"> • Check that the refrigerator is level and stable. • Is the back of the refrigerator too close to the wall, preventing proper ventilation? Try moving the back of the refrigerator at least 2 inches from the wall. • Was anything dropped behind or under the refrigerator? • If you hear a “ticking” sound from inside the refrigerator, this is normal. It occurs because various parts contract or expand in response to temperature changes in the refrigerator interior. • If it sounds as if something is hitting something else inside the refrigerator, this is normal. The sound is caused by the compressor operating at high capacity.
The cabinet-door sealing area of the appliance is hot and condensation is occurring.	<ul style="list-style-type: none"> • Some heat is normal as anti-condensators are installed in the vertical hinged section of the refrigerator to prevent condensation. • Is the refrigerator door ajar? Condensation can occur when you leave the door open for a long time.
Ice Maker is not producing ice.	<ul style="list-style-type: none"> • Did you wait for 12 hours after installation of the water supply line before making ice? • Is the water line connected and the shut-off valve opened? • Did you manually stop the ice making function? • Is the freezer temperature too warm? Try setting the freezer temperature lower.
You can hear water bubbling in the refrigerator.	<ul style="list-style-type: none"> • This is normal. The bubbling comes from refrigerant circulating through the refrigerator.
There is a bad smell in the refrigerator.	<ul style="list-style-type: none"> • Check for spoiled food. • Foods with strong odors (for example, fish) should be tightly covered. • Clean out your freezer periodically and throw away any spoiled or suspicious food.
Frost forms on the walls of the freezer.	<ul style="list-style-type: none"> • Is the air vent blocked? Remove any obstructions so air can circulate freely. • Allow sufficient space between the stored foods for efficient air circulation. • Is the freezer drawer closed properly?
Water dispenser is not functioning.	<ul style="list-style-type: none"> • Is the water line connected and the shut-off valve opened? • Has the water supply line tubing been crushed or kinked? • Make sure the tubing is free and clear of any obstruction. • Is the water tank frozen because the fridge temperature is too low? Try selecting a warmer setting on the Digital display.
Auto close system does not work with the freezer door.	<ul style="list-style-type: none"> • Is there an imbalance between the right and left parts of the door? • Open and close the door smoothly 1~2 times. After you do this, the auto close system usually works properly again. • Try opening the door smoothly to avoid unbalancing the right and the left part of the door.