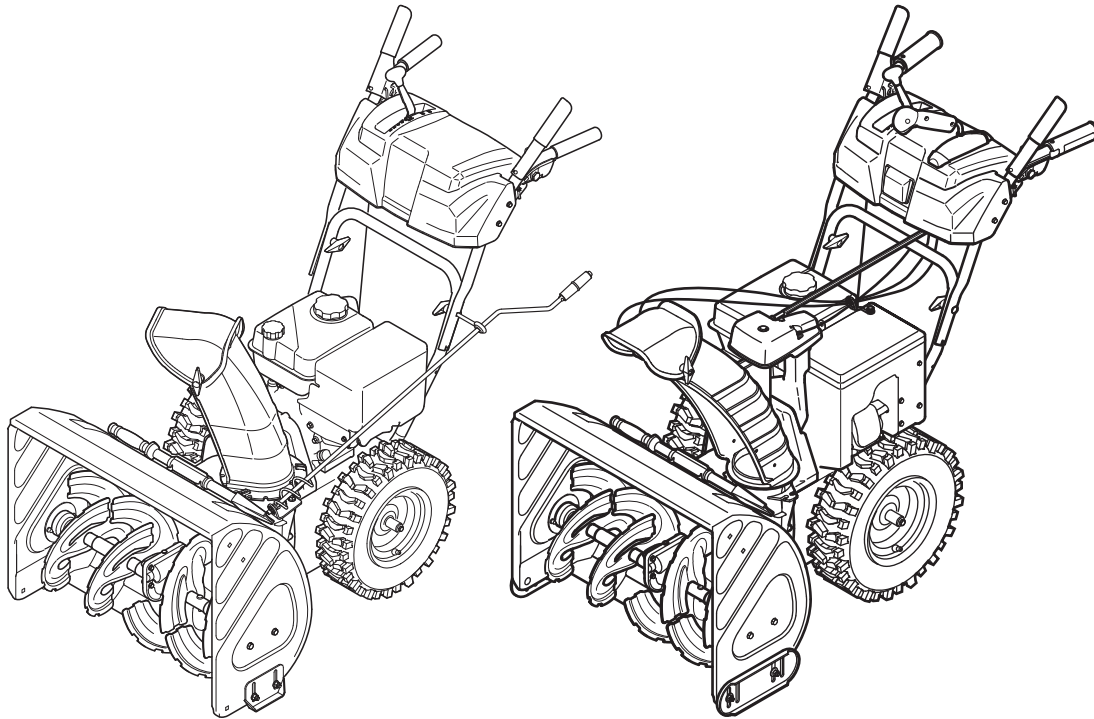




## OPERATOR'S MANUAL



### Two-Stage Snow Thrower — Storm 2410, 2620 & 2840

#### **WARNING**

**READ AND FOLLOW ALL SAFETY RULES AND INSTRUCTIONS IN THIS MANUAL  
BEFORE ATTEMPTING TO OPERATE THIS MACHINE.  
FAILURE TO COMPLY WITH THESE INSTRUCTIONS MAY RESULT IN PERSONAL INJURY.**

TROY-BILT LLC, P.O. BOX 361131 CLEVELAND, OHIO 44136-0019

## Thank You

Thank you for purchasing a Troy-Bilt Snow Thrower. It was carefully engineered to provide excellent performance when properly operated and maintained.

Please read this entire manual prior to operating the equipment. It instructs you how to safely and easily set up, operate and maintain your machine. Please be sure that you, and any other persons who will operate the machine, carefully follow the recommended safety practices at all times. Failure to do so could result in personal injury or property damage.

All information in this manual is relative to the most recent product information available at the time of printing. Review this manual frequently to familiarize yourself with the machine, its features and operation. Please be aware that this Operator's Manual may cover a range of product specifications for various models. Characteristics and features discussed and/or illustrated in this manual may not be applicable to all models. We reserve

the right to change product specifications, designs and equipment without notice and without incurring obligation.

If applicable, the power testing information used to establish the power rating of the engine equipped on this machine can be found at [www.opei.org](http://www.opei.org) or the engine manufacturer's web site.

If you have any problems or questions concerning the machine, phone a authorized Troy-Bilt service dealer or contact us directly. Troy-Bilt's Customer Support telephone numbers, website address and mailing address can be found on this page. We want to ensure your complete satisfaction at all times.

Throughout this manual, all references to *right* and *left* side of the machine are observed from the operating position.

---

## Table of Contents

<b>Safe Operation Practices</b> .....	<b>3</b>	<b>Service</b> .....	<b>20</b>
<b>Assembly &amp; Set-Up</b> .....	<b>7</b>	<b>Troubleshooting</b> .....	<b>23</b>
<b>Controls</b> .....	<b>13</b>	<b>Replacement Parts</b> .....	<b>24</b>
<b>Operation</b> .....	<b>16</b>	<b>Attachments</b> .....	<b>25</b>
<b>Maintenance &amp; Adjustment</b> .....	<b>17</b>	<b>Warranty</b> .....	<b>Back Cover</b>

---

## Record Product Information

Before setting up and operating your new equipment, please locate the model plate on the equipment and record the information in the provided area to the right. You can locate the model plate by standing at the operator's position and looking down at the rear of the frame. This information will be necessary, should you seek technical support via our web site, Customer Support Department, or with a local authorized service dealer.

### MODEL NUMBER

### SERIAL NUMBER

---

## Customer Support

**Please do NOT return the machine to the retailer or dealer without first contacting the Customer Support Department.**

If you have difficulty assembling this product or have any questions regarding the controls, operation, or maintenance of this machine, you can seek help from the experts. Choose from the options below:

◇ Visit us on the web at [www.troybilt.com](http://www.troybilt.com)



See How-to Maintenance and Parts Installation Videos at [www.troybilt.com/tutorials](http://www.troybilt.com/tutorials)

◇ Call a Customer Support Representative at (800) 828-5500 or (330) 558-7220

◇ Write to Troy-Bilt LLC • P.O. Box 361131 • Cleveland, OH • 44136-0019



**WARNING!** This symbol points out important safety instructions which, if not followed, could endanger the personal safety and/or property of yourself and others. Read and follow all instructions in this manual before attempting to operate this machine. Failure to comply with these instructions may result in personal injury. When you see this symbol. **HEED ITS WARNING!**

## CALIFORNIA PROPOSITION 65



**WARNING!** Engine Exhaust, some of its constituents, and certain vehicle components contain or emit chemicals known to State of California to cause cancer and birth defects or other reproductive harm.



**DANGER:** This machine was built to be operated according to the safe operation practices in this manual. As with any type of power equipment, carelessness or error on the part of the operator can result in serious injury. This machine is capable of amputating fingers, hands, toes and feet and throwing foreign objects. Failure to observe the following safety instructions could result in serious injury or death.

### Training

1. Read, understand, and follow all instructions on the machine and in the manual(s) before attempting to assemble and operate. Keep this manual in a safe place for future and regular reference and for ordering replacement parts.
2. Be familiar with all controls and their proper operation. Know how to stop the machine and disengage them quickly.
3. Never allow children under 14 years of age to operate this machine. Children 14 and over should read and understand the instructions and safe operation practices in this manual and on the machine and be trained and supervised by an adult.
4. Never allow adults to operate this machine without proper instruction.
5. Thrown objects can cause serious personal injury. Plan your snow-throwing pattern to avoid discharge of material toward roads, bystanders and the like.
6. Keep bystanders, pets and children at least 75 feet from the machine while it is in operation. Stop machine if anyone enters the area.
7. Exercise caution to avoid slipping or falling, especially when operating in reverse.

### Preparation

Thoroughly inspect the area where the equipment is to be used. Remove all doormats, newspapers, sleds, boards, wires and other foreign objects, which could be tripped over or thrown by the auger/impeller.

1. Always wear safety glasses or eye shields during operation and while performing an adjustment or repair to protect your eyes. Thrown objects which ricochet can cause serious injury to the eyes.
2. Do not operate without wearing adequate winter outer garments. Do not wear jewelry, long scarves or other loose clothing, which could become entangled in moving parts. Wear footwear which will improve footing on slippery surfaces.
3. Use a grounded three-wire extension cord and receptacle for all machines with electric start engines.
4. Adjust auger housing height to clear gravel or crushed rock surfaces.
5. Disengage all control levers before starting the engine.
6. Never attempt to make any adjustments while engine is running, except where specifically recommended in the operator's manual.
7. Let engine and machine adjust to outdoor temperature before starting to clear snow.

## Safe Handling of Gasoline

To avoid personal injury or property damage use extreme care in handling gasoline. Gasoline is extremely flammable and the vapors are explosive. Serious personal injury can occur when gasoline is spilled on yourself or your clothes which can ignite. Wash your skin and change clothes immediately.

- a. Use only an approved gasoline container.
- b. Extinguish all cigarettes, cigars, pipes and other sources of ignition.
- c. Never fuel machine indoors.
- d. Never remove gas cap or add fuel while the engine is hot or running.
- e. Allow engine to cool at least two minutes before refueling.
- f. Never over fill fuel tank. Fill tank to no more than ½ inch below bottom of filler neck to provide space for fuel expansion.
- g. Replace gasoline cap and tighten securely.
- h. If gasoline is spilled, wipe it off the engine and equipment. Move machine to another area. Wait 5 minutes before starting the engine.
- i. Never store the machine or fuel container inside where there is an open flame, spark or pilot light (e.g. furnace, water heater, space heater, clothes dryer etc.).
- j. Allow machine to cool at least 5 minutes before storing.
- k. Never fill containers inside a vehicle or on a truck or trailer bed with a plastic liner. Always place containers on the ground away from your vehicle before filling.
- l. If possible, remove gas-powered equipment from the truck or trailer and refuel it on the ground. If this is not possible, then refuel such equipment on a trailer with a portable container, rather than from a gasoline dispenser nozzle.
- m. Keep the nozzle in contact with the rim of the fuel tank or container opening at all times until fueling is complete. Do not use a nozzle lock-open device.

## Operation

1. Do not put hands or feet near rotating parts, in the auger/impeller housing or chute assembly. Contact with the rotating parts can amputate hands and feet.
2. The auger/impeller control lever is a safety device. Never bypass its operation. Doing so makes the machine unsafe and may cause personal injury.
3. The control levers must operate easily in both directions and automatically return to the disengaged position when released.
4. Never operate with a missing or damaged chute assembly. Keep all safety devices in place and working.
5. Never run an engine indoors or in a poorly ventilated area. Engine exhaust contains carbon monoxide, an odorless and deadly gas.
6. Do not operate machine while under the influence of alcohol or drugs.
7. Muffler and engine become hot and can cause a burn. Do not touch. Keep children away.
8. Exercise extreme caution when operating on or crossing gravel surfaces. Stay alert for hidden hazards or traffic.
9. Exercise caution when changing direction and while operating on slopes. Do not operate on steep slopes.
10. Plan your snow-throwing pattern to avoid discharge towards windows, walls, cars etc. Thus, avoiding possible property damage or personal injury caused by a ricochet.
11. Never direct discharge at children, bystanders and pets or allow anyone in front of the machine.
12. Do not overload machine capacity by attempting to clear snow at too fast of a rate.
13. Never operate this machine without good visibility or light. Always be sure of your footing and keep a firm hold on the handles. Walk, never run.
14. Disengage power to the auger/impeller when transporting or not in use.
15. Never operate machine at high transport speeds on slippery surfaces. Look down and behind and use care when backing up.
16. If the machine should start to vibrate abnormally, stop the engine, disconnect the spark plug wire and ground it against the engine. Inspect thoroughly for damage. Repair any damage before starting and operating.
17. Disengage all control levers and stop engine before you leave the operating position (behind the handles). Wait until the auger/impeller comes to a complete stop before unclogging the chute assembly, making any adjustments, or inspections.
18. Never put your hand in the discharge or collector openings. Always use the clean-out tool provided to unclog the discharge opening. Do not unclog chute assembly while engine is running. Shut off engine and remain behind handles until all moving parts have stopped before unclogging.
19. Use only attachments and accessories approved by the manufacturer (e.g. wheel weights, tire chains, cabs etc.).
20. When starting engine, pull cord slowly until resistance is felt, then pull rapidly. Rapid retraction of starter cord (kickback) will pull hand and arm toward engine faster than you can let go. Broken bones, fractures, bruises or sprains could result.
21. If situations occur which are not covered in this manual, use care and good judgment. Contact Customer Support for assistance and the name of your nearest servicing dealer.

## Clearing a Clogged Discharge Chute

Hand contact with the rotating impeller inside the discharge chute is the most common cause of injury associated with snow throwers. Never use your hand to clean out the discharge chute.

To clear the chute:

1. SHUT THE ENGINE OFF!
2. Wait 10 seconds to be sure the impeller blades have stopped rotating.
3. Always use a clean-out tool, not your hands.

## Maintenance & Storage

1. Never tamper with safety devices. Check their proper operation regularly. Refer to the maintenance and adjustment sections of this manual.
2. Before cleaning, repairing, or inspecting machine disengage all control levers and stop the engine. Wait until the auger/impeller come to a complete stop. Disconnect the spark plug wire and ground against the engine to prevent unintended starting.
3. Check bolts and screws for proper tightness at frequent intervals to keep the machine in safe working condition. Also, visually inspect machine for any damage.
4. Do not change the engine governor setting or over-speed the engine. The governor controls the maximum safe operating speed of the engine.
5. Snow thrower shave plates and skid shoes are subject to wear and damage. For your safety protection, frequently check all components and replace with original equipment manufacturer's (OEM) parts only. "Use of parts which do not meet the original equipment specifications may lead to improper performance and compromise safety!"
6. Check control levers periodically to verify they engage and disengage properly and adjust, if necessary. Refer to the adjustment section in this operator's manual for instructions.
7. Maintain or replace safety and instruction labels, as necessary.
8. Observe proper disposal laws and regulations for gas, oil, etc. to protect the environment.
9. Prior to storing, run machine a few minutes to clear snow from machine and prevent freeze up of auger/impeller.
10. Never store the machine or fuel container inside where there is an open flame, spark or pilot light such as a water heater, furnace, clothes dryer etc.
11. Always refer to the operator's manual for proper instructions on off-season storage.
12. Check fuel line, tank, cap, and fittings frequently for cracks or leaks. Replace if necessary.
13. Do not crank engine with spark plug removed.

14. According to the Consumer Products Safety Commission (CPSC) and the U.S. Environmental Protection Agency (EPA), this product has an *Average Useful Life* of seven (7) years, or 60 hours of operation. At the end of the *Average Useful Life* have the machine inspected annually by an authorized service dealer to ensure that all mechanical and safety systems are working properly and not worn excessively. Failure to do so can result in accidents, injuries or death.

## Do not modify engine

To avoid serious injury or death, do not modify engine in any way. Tampering with the governor setting can lead to a runaway engine and cause it to operate at unsafe speeds. Never tamper with factory setting of engine governor.

## Notice Regarding Emissions

Engines which are certified to comply with California and federal EPA emission regulations for SORE (Small Off Road Equipment) are certified to operate on regular unleaded gasoline, and may include the following emission control systems: Engine Modification (EM), Oxidizing Catalyst (OC), Secondary Air Injection (SAI) and Three Way Catalyst (TWC) if so equipped.

## Spark Arrestor












**WARNING!** This machine is equipped with an internal combustion engine and should not be used on or near any unimproved forest-covered, brush covered or grass-covered land unless the engine's exhaust system is equipped with a spark arrestor meeting applicable local or state laws (if any).

If a spark arrestor is used, it should be maintained in effective working order by the operator. In the State of California the above is required by law (Section 4442 of the California Public Resources Code). Other states may have similar laws. Federal laws apply on federal lands.

A spark arrestor for the muffler is available through your nearest engine authorized service dealer or contact the service department, P.O. Box 361131 Cleveland, Ohio 44136-0019.

## Safety Symbols

This page depicts and describes safety symbols that may appear on this product. Read, understand, and follow all instructions on the machine before attempting to assemble and operate.

Symbol	Description
	<b>READ THE OPERATOR'S MANUAL(S)</b> Read, understand, and follow all instructions in the manual(s) before attempting to assemble and operate
	<b>WARNING— ROTATING BLADES</b> Keep hands out of inlet and discharge openings while machine is running. There are rotating blades inside
	<b>WARNING— ROTATING BLADES</b> Keep hands out of inlet and discharge openings while machine is running. There are rotating blades inside
	<b>WARNING— ROTATING AUGER</b> Do not put hands or feet near rotating parts, in the auger/impeller housing or chute assembly. Contact with the rotating parts can amputate hands and feet.
	<b>WARNING—THROWN OBJECTS</b> This machine may pick up and throw objects which can cause serious personal injury.
	<b>WARNING—GASOLINE IS FLAMMABLE</b> Allow the engine to cool at least two minutes before refueling.
	<b>WARNING— CARBON MONOXIDE</b> Never run an engine indoors or in a poorly ventilated area. Engine exhaust contains carbon monoxide, an odorless and deadly gas.
	<b>WARNING— ELECTRICAL SHOCK</b> Do not use the engine's electric starter in the rain
	<b>WARNING— HOT SURFACE</b> Engine parts, especially the muffler, become extremely hot during operation. Allow engine and muffler to cool before touching.



**WARNING!** Your Responsibility—Restrict the use of this power machine to persons who read, understand and follow the warnings and instructions in this manual and on the machine.

**SAVE THESE INSTRUCTIONS!**

## Contents of Carton

- One Snow Thrower
- One Snow Thrower Operator's Manual
- One Engine Manual
- Two Replacement Auger Shear Pins
- One Product Registration Card
- One Chute Assembly
- One Chute Control Rod (Models 2620 and 2840)

## Assembly

### Handle

1. Place the shift lever in the Forward-6 position.
2. Observe the lower rear area of the snow thrower to be sure both cables are aligned with roller guides before pivoting the handle upward. See Figure 3-1.

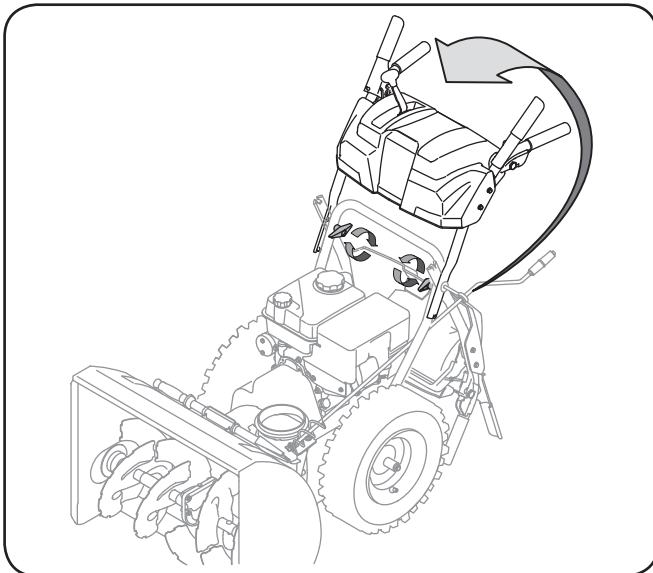


Figure 3-1

**NOTE:** Make certain the cables are seated properly in the roller guides. See Figure 3-2.

3. Secure the handle by tightening the plastic knob located on both the left and right sides of the handle. Remove and discard any rubber bands, if present. They are for packaging purposes only.

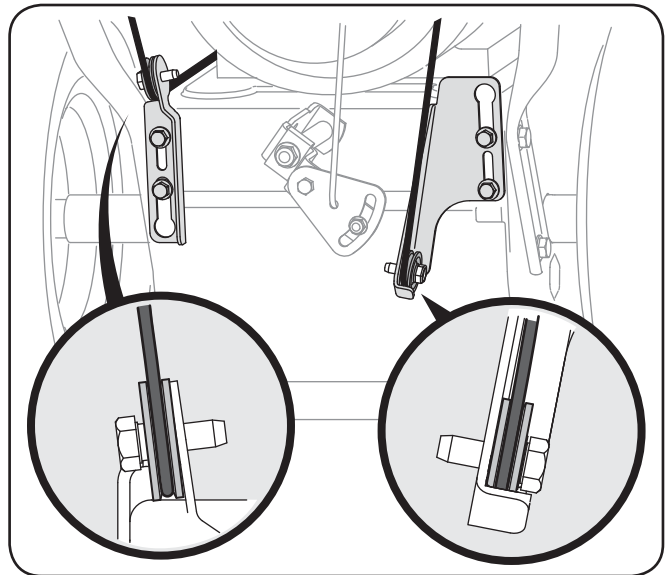


Figure 3-2

### Chute Assembly (Model 2410)

1. Position the chute assembly over the base. See Figure 3-3.

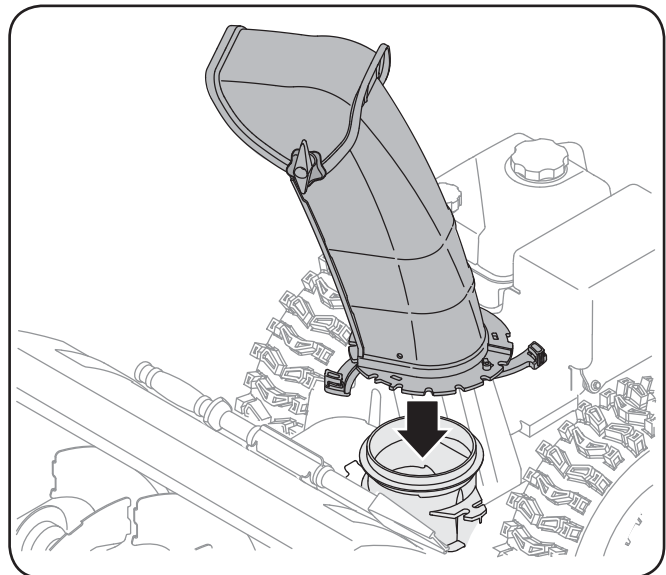
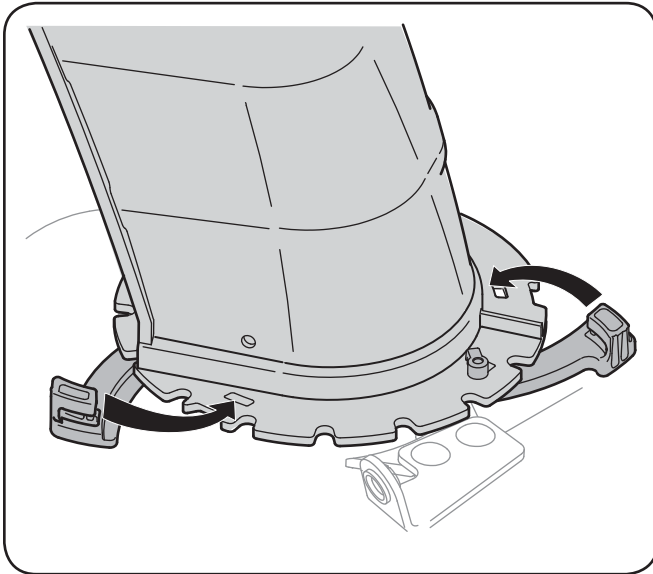


Figure 3-3

2. Close the flange keepers to secure the chute assembly to the chute base. The flange keepers will click into place when properly secure. See Figure 3-4.

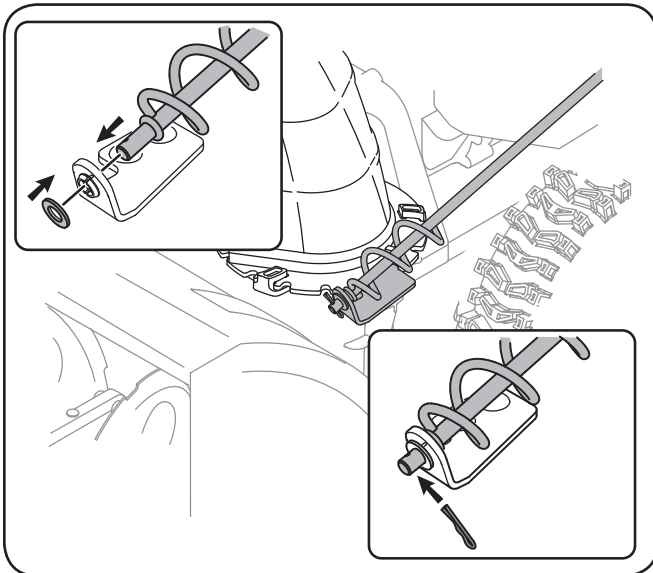
**NOTE:** If the flange keepers will not easily click into place, use the palm of your hand to apply swift, firm pressure to the back of each.



**Figure 3-4**

### Chute Directional Control (Model 2410)

1. Remove the plastic cap (if present), flat washer and hairpin clip from the end of the chute directional control. See Figure 3-5.

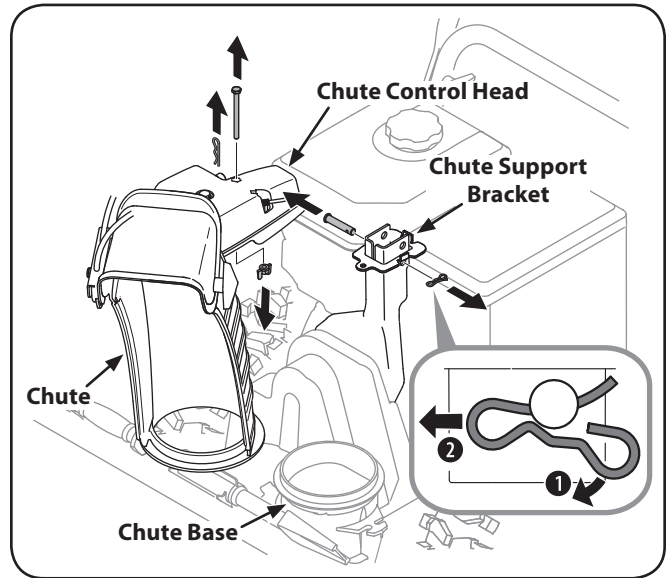


**Figure 3-5**

2. Insert the end of the chute directional control into the lower bracket and secure with the flat washer and hairpin clip just removed. If necessary, the lower bracket can be adjusted. Refer to Chute Bracket Adjustment on Page 19.

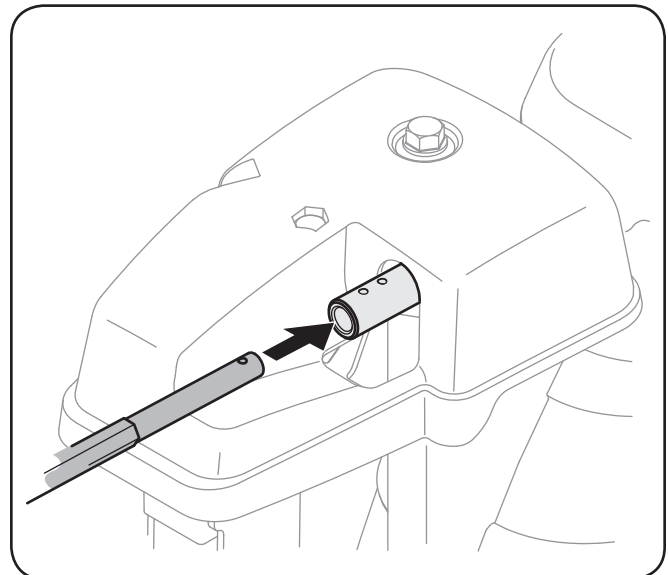
### Chute Assembly and Directional Control (Models 2620 and 2840)

1. Remove cotter pin, wing nut and hex screw from chute control head. Remove clevis pin and bow-tie cotter pin from chute support bracket. See Figure 3-6.



**Figure 3-6**

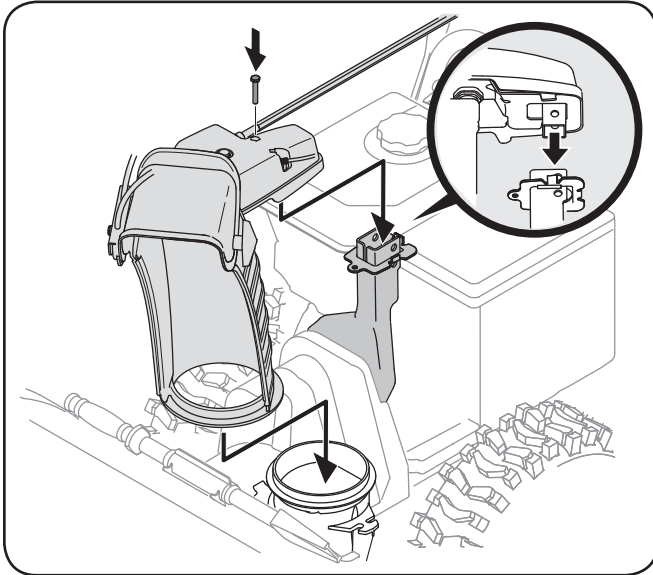
2. Insert chute control rod into chute control head. Push rod as far into chute control head as possible, keeping the holes in the rod pointing upward. See Figure 3-7.



**Figure 3-7**



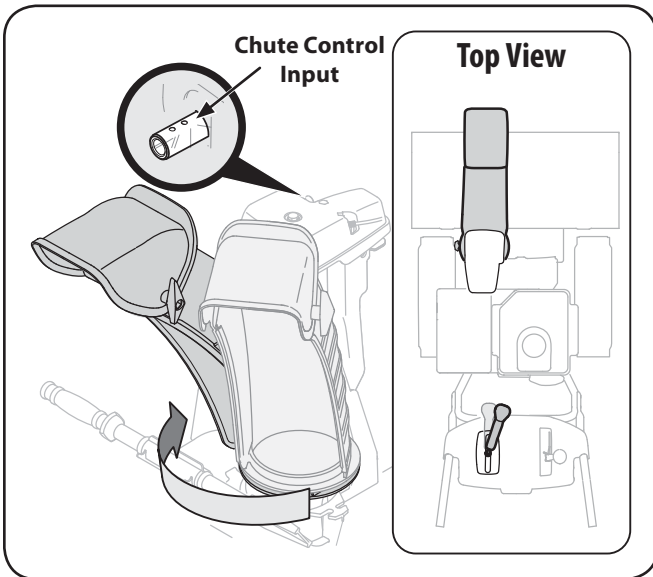
- Place chute onto chute base and ensure chute control rod is positioned under the handle panel. Install hex bolt previously removed, but do not secure with wing nut at this time. See Figure 3-8.



**Figure 3-8**

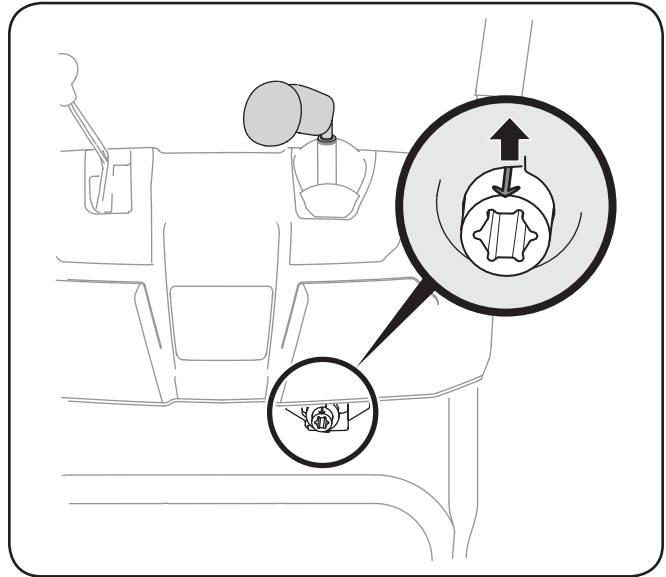
- Squeeze the trigger on the joystick and rotate the chute by hand to face forward. The holes in the chute control input will be facing up. See Figure 3-9.

**NOTE:** The chute will not rotate without squeezing the trigger on the joystick.



**Figure 3-9**

- Rotate the joystick to the one o'clock position so that the silver indicator arrow on the pinion gear below the control panel faces upward. See Figure 3-10.



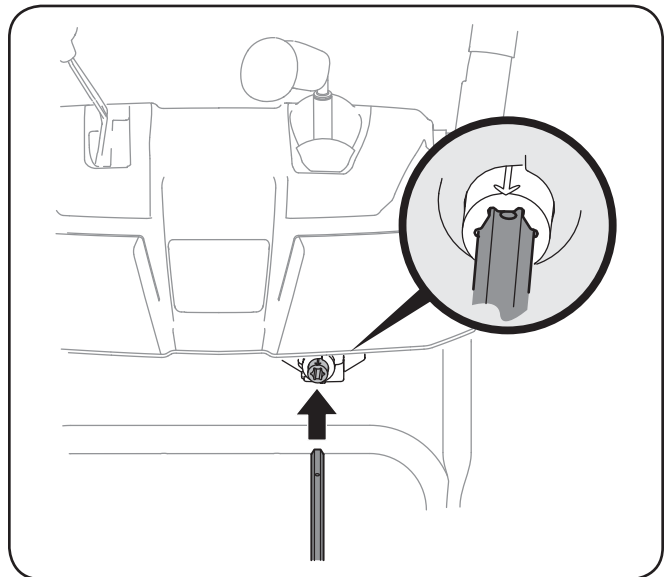
**Figure 3-10**

**NOTE:** The joystick will be angled slightly to the right at the one o'clock position. See "Top View" in Figure 3-9.

- Insert the chute control rod into the pinion gear below the joystick. Make sure to line up the hole in the rod with the arrow on the pinion gear. See Figure 3-11.

**NOTE:** The chute control rod will fit snugly into the pinion gear. Support the rear of the dash panel with one hand while inserting the rod with your other hand to ensure the rod is inserted **all the way** into the pinion gear.

**NOTE:** The hole is a reference for aligning the rod with the indicator arrow on the pinion gear, and will be visible after the rod has been inserted.



**Figure 3-11**

- Push the chute control rod toward the control panel until the hole in the rod lines up with the hole in the chute control input closest to the chute control head and insert the cotter pin. See Figure 3-12.

**NOTE:** The second hole is used to achieve further engagement of the chute control rod into the pinion gear if required. Refer to page 19 for Chute Control Rod adjustments.

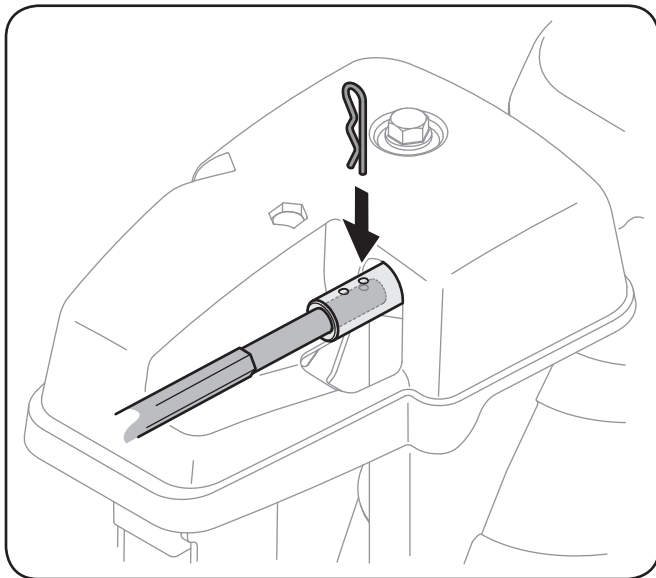


Figure 3-12

- Finish securing chute control head to chute support bracket with wing nut, clevis pin, and bow-tie cotter pin removed in step 1. See Figure 3-6.
- Check that the cables are properly routed through the cable guide on top of the engine. Some models only have one cable to route through the cable guide. See Figure 3-13.

**NOTE:** For smoothest operation, the cables should all be to the left of the chute directional control rod.

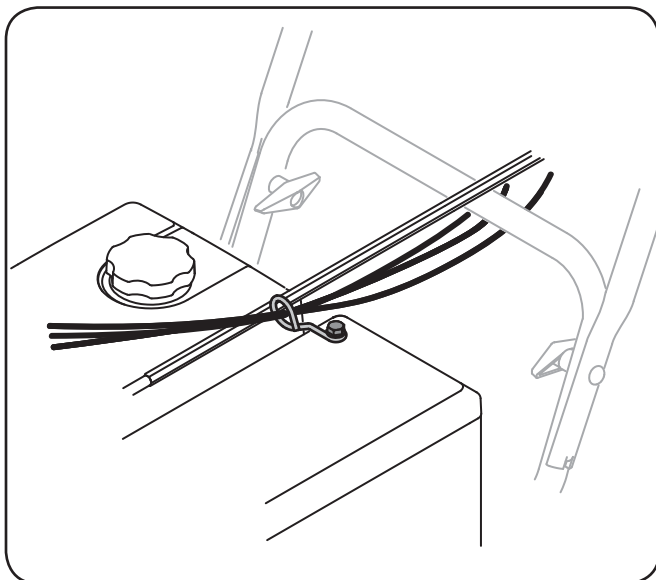


Figure 3-13

## Set-Up

### Shear Pins

A pair of replacement auger shear pins and bow tie cotter pins are included with your snow thrower. Store them in your snow thrower's dash panel until needed. See Figure 3-14.

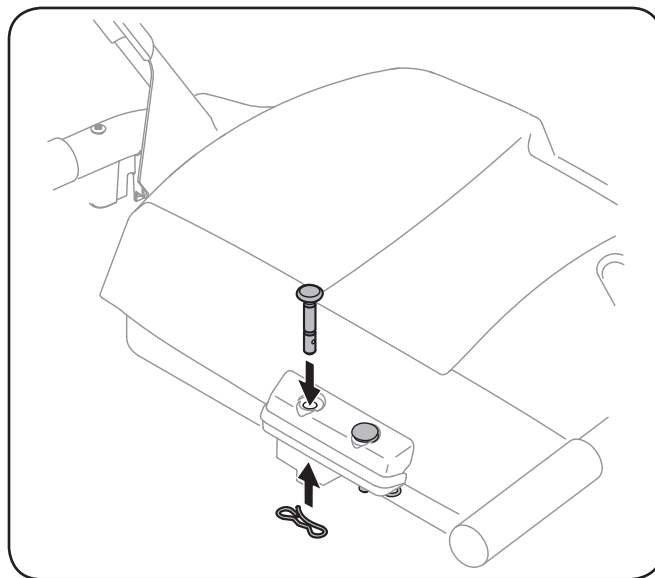


Figure 3-14

### Chute Clean-Out Tool

The chute clean-out tool is fastened to the top of the auger housing with a mounting clip and a cable tie at the factory. Cut the cable tie before operating the snow thrower. See Figure 3-15.

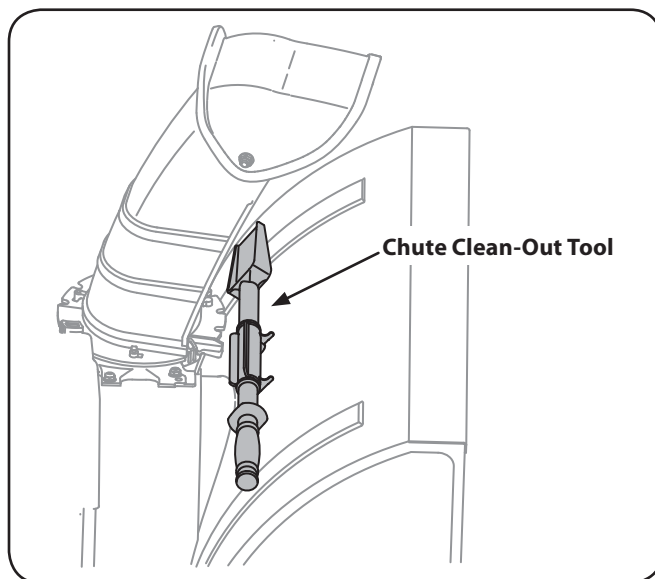


Figure 3-15

## Tire Pressure



**WARNING:** Under any circumstance do not exceed manufacturer's recommended psi. Equal tire pressure should be maintained at all times. Excessive pressure when seating beads may cause tire/rim assembly to burst with force sufficient to cause serious injury. Refer to side wall of tire for recommended pressure.

The tires are over-inflated for shipping purposes. Check the tire pressure before operating the snow thrower. Refer to the tire side wall for tire manufacturer's recommended psi and deflate (or inflate) the tires as necessary.

**NOTE:** If the tire pressure is not equal in both tires, the machine may not travel in a straight path and the shave plate may wear unevenly.

## Adjustments

### Skid Shoes

The snow thrower skid shoes are adjusted upward at the factory for shipping purposes. Adjust them downward, if desired, prior to operating the snow thrower.



**CAUTION:** It is not recommended that you operate this snow thrower on gravel as it can easily pick up and throw loose gravel, causing personal injury or damage to the snow thrower and surrounding property.

- For close snow removal on a smooth surface, raise skid shoes higher on the auger housing.
- Use a middle or lower position when the area to be cleared is uneven, such as a gravel driveway.

**NOTE:** If you choose to operate the snow thrower on a gravel surface, keep the skid shoes in position for maximum clearance between the ground and the shave plate.

To adjust the skid shoes:

1. Loosen the four hex nuts (two on each side) and carriage bolts. Move skid shoes to desired position. See Figure 3-16.

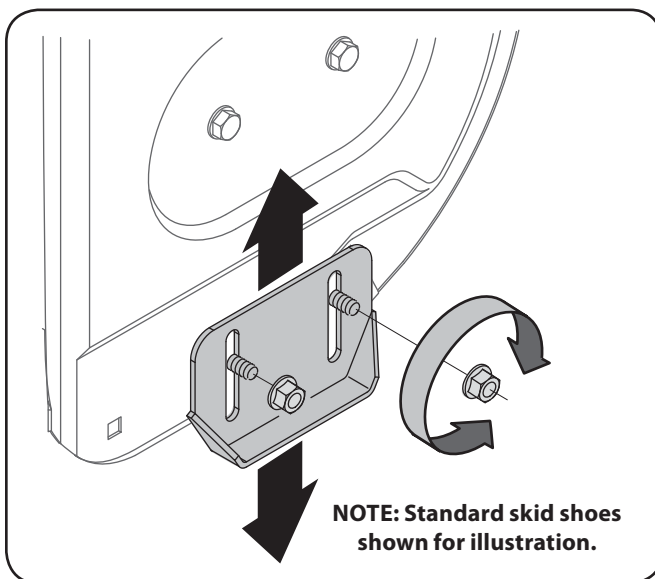


Figure 3-16

2. Make certain the entire bottom surface of skid shoe is against the ground to avoid uneven wear on the skid shoes.
3. Retighten nuts and bolts securely.

### Chute Assembly (Models 2410 and 2620)

**NOTE:** The upper chute on model 2840 is also controlled by the 4-way Chute Directional Control. See Figure 4-1.

The distance snow is thrown can be adjusted by changing the angle of the chute assembly. To do so:

1. Stop the engine. Refer to the Engine Operator's Manual. Remove the key from the engine and loosen the plastic knob found on the left side of the chute assembly.
2. Pivot the chute upward or downward before retightening the wing knob. See Figure 3-17.

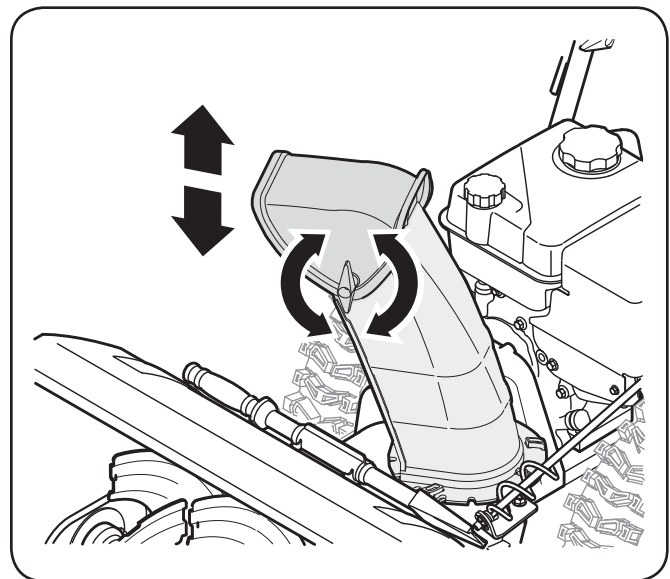


Figure 3-17

3. Insert Key into engine and start engine. Refer to the Engine Operator's manual.

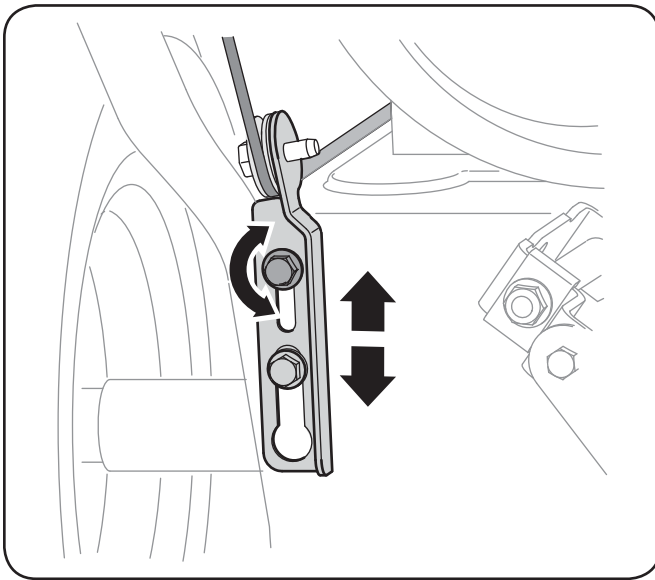
## Auger Control



**WARNING!** Prior to operating your snow thrower, carefully read and follow all instructions below. Perform all adjustments to verify your snow thrower is operating safely and properly.

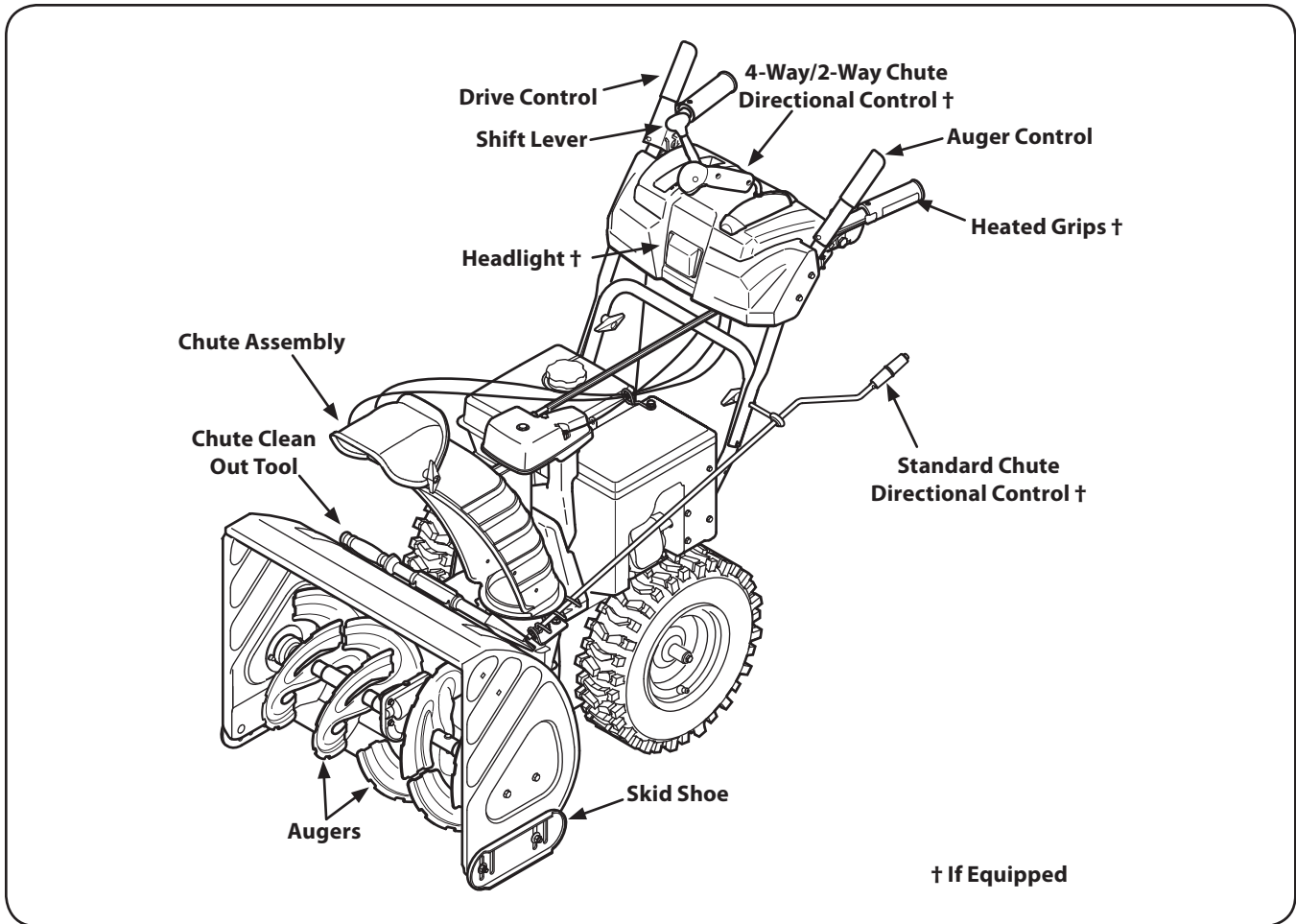
Refer to the Controls and Features section for the location of the auger control and check the adjustment as follows:

1. When the auger control is released and in the disengaged “up” position, the cable should have very little slack. It should NOT be tight.
2. In a well-ventilated area, start the snow thrower engine. Refer to Engine Operator’s Manual.
3. While standing in the operator’s position (behind the snow thrower), engage the auger.
4. Allow the auger to remain engaged for approximately ten (10) seconds before releasing the auger control. Repeat this several times.
5. With the throttle control in the FAST (rabbit) position and the auger control in the disengaged “up” position, walk to the front of the machine.
6. Confirm that the auger has completely stopped rotating and shows NO signs of motion. If the auger shows ANY signs of rotating, immediately return to the operator’s position and shut off the engine. Wait for ALL moving parts to stop before re-adjusting the auger control.
7. To readjust the control cable, loosen the upper hex screw on the auger cable bracket. See Figure 3-18.



**Figure 3-18**

8. Position the bracket upward to provide more slack (or downward to increase cable tension).
9. Retighten the upper hex screw.
10. Repeat steps 2 through 6 above to verify proper adjustment has been achieved.



**Figure 4-1**

Snow thrower controls and features are described below and illustrated in Figure 4-1.

## Shift Lever

The shift lever is located in the right side of the handle panel and is used to determine ground speed and direction of travel.

## Forward

There are six forward (F) speeds. Position one (1) is the slowest and position six (6) is the fastest.

## Reverse

There are two reverse (R) speeds. One (1) is the slower and two (2) is the faster.

- 6
- 5
- 4
- 3
- 2
- ↑
- F 1
- R 1
- R 2

## Skid Shoes

Position the skid shoes based on surface conditions. Adjust upward for hard-packed snow. Adjust downward when operating on gravel or crushed rock surfaces. See Set-Up & Assembly section. Skid shoe styles and appearance vary by model.

## Augers

When engaged, the augers rotate and draw snow into the auger housing.

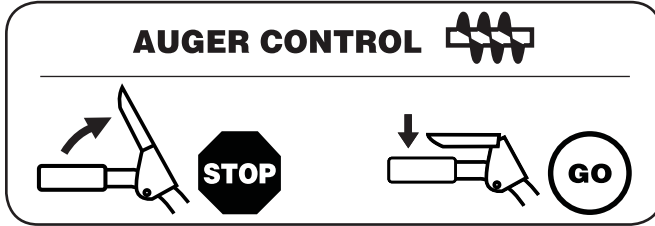
## Chute Assembly

Snow drawn into the auger housing is discharged out the chute assembly. Chute assembly styles and appearance vary by model.

## Headlight (If so equipped)

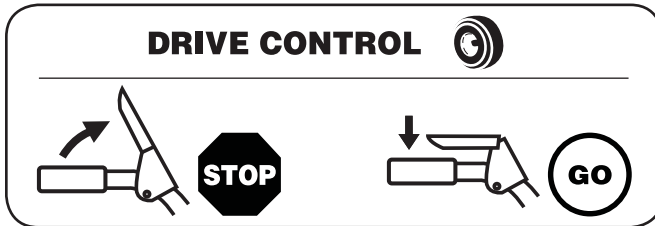
The headlight is located on top of the handle panel and is automatically turned on when the engine is started.

## Auger Control



The auger control is located on the left handle. Squeeze the control grip against the handle to engage the augers and start snow throwing action. Release to stop.

## Drive Control / Auger Clutch Lock (If so equipped)



The drive control is located on the right handle. Squeeze the control grip against the handle to engage the wheel drive. Release to stop.

On select models, the drive control also locks the auger control so that you can operate the chute directional control without interrupting the snow throwing process. If the auger control is engaged simultaneously with the drive control, the operator can release the auger control (on the left handle) and the augers will remain engaged. Release both controls to stop the augers and wheel drive.

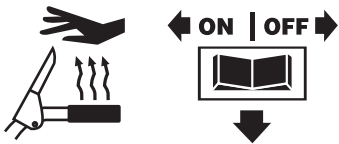
**NOTE:** Always release the drive control before changing speeds. Failure to do so will result in increased wear on your machine's drive system.

## Heated Grips (If so equipped)



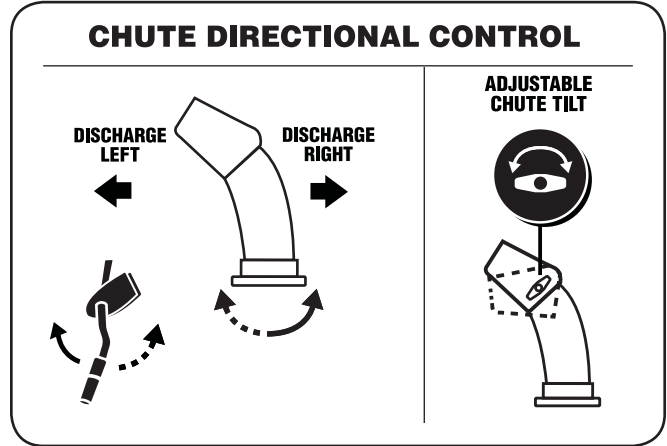
**CAUTION:** It is recommended that you wear gloves when using the heated grip. If the heated grip becomes too hot, turn it off.

### HEATED HANDLE GRIPS



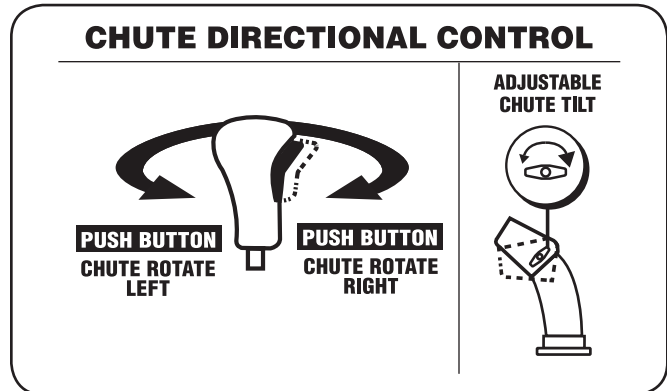
To activate the heated grips, move the switch found on the rear of the dash panel into the ON position. To turn off the heated grips, move the switch found on the rear of the dash panel to the OFF position.

## Standard Chute Directional Control (If so equipped)



The chute directional control is located on left side of the snow thrower. To change the direction in which snow is thrown, rotate chute directional control.

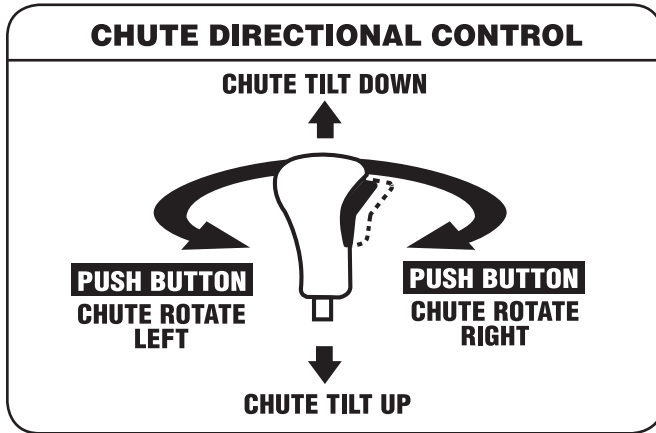
## 2-Way Chute Directional Control (If so equipped)



The 2-way chute directional control is located on the left side of the dash panel.

- To change the direction in which snow is thrown, squeeze the button on the joy-stick and pivot the joy-stick to the right or to the left.

## 4-Way Chute Directional Control (If so equipped)



The 4-way chute directional control is located on the left side of the dash panel.

- To change the direction in which snow is thrown, squeeze the button on the joy-stick and pivot the joy-stick to the right or to the left.
- To change the angle/distance which snow is thrown, pivot the joy-stick forward or backward.

## Chute Clean-Out Tool



**WARNING!** Never use your hands to clear a clogged chute assembly. Shut off engine and remain behind handles until all moving parts have stopped before unclogging.

The chute clean-out tool is conveniently fastened to the rear of the auger housing with a mounting clip. Should snow and ice become lodged in the chute assembly during operation, proceed as follows to safely clean the chute assembly and chute opening:

1. Release both the Auger Control and the Drive Control.
2. Stop the engine. Refer to the Engine Operator's Manual. Remove the key.
3. Remove the clean-out tool from the clip which secures it to the rear of the auger housing.
4. Use the shovel-shaped end of the clean-out tool to dislodge and scoop any snow and ice which has formed in and near the chute assembly.
5. Refasten the clean-out tool to the mounting clip on the rear of the auger housing, reinsert the key and start the snow thrower's engine.

While standing in the operator's position (behind the snow thrower), engage the auger control for a few seconds to clear any remaining snow and ice from the chute assembly.

## Starting and Stopping the Engine

Refer to the Engine Operator's Manual packed with your snow thrower for instructions on starting and stopping the engine.

## To Engage Drive

1. With the throttle control in the Fast (rabbit) position, move shift lever into one of the six forward (F) positions or two reverse (R) positions. Select a speed appropriate for the snow conditions and a pace you're comfortable with.
2. Squeeze the drive control against the handle the snow thrower will move. Release it and drive motion will stop.

## To Engage Augers

To engage the augers and start throwing snow, squeeze the auger control against the left handle. Release to stop the augers.

## Heated Grips (If so equipped)



**CAUTION:** It is recommended that you wear gloves when using the heated grip. If the heated grip becomes too hot, turn it off.

To activate the heated grips, move the switch found on the rear of the dash panel into the ON position. See Figure 5-1.

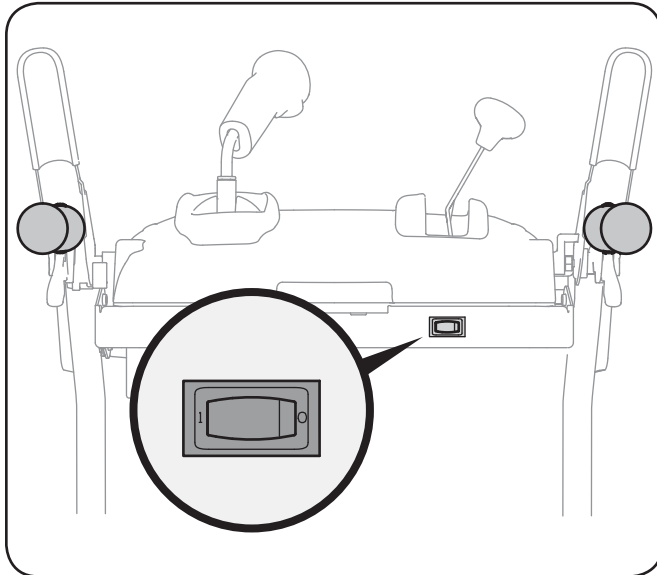


Figure 5-1

## Replacing Shear Pins

The augers are secured to the spiral shaft with shear pins and bow-tie cotter pins. If the auger should strike a foreign object or ice jam, the snow thrower is designed so that the pins may shear. If the augers will not turn, check to see if the pins have sheared. See Figure 5-2.

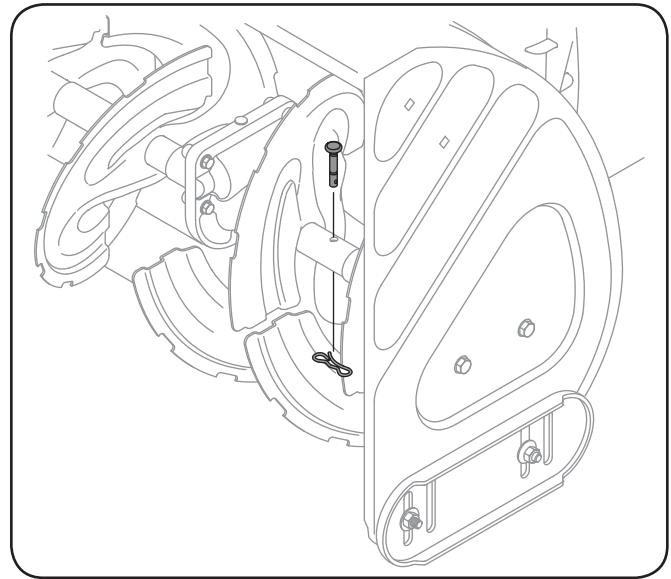


Figure 5-2



**CAUTION:** NEVER replace the auger shear pins with anything other than OEM Part No. 738-04124A replacement shear pins. Any damage to the auger gearbox or other components as a result of failing to do so will NOT be covered by your snow thrower's warranty.



**WARNING!** Always turn off the snow thrower's engine and remove the key prior to replacing shear pins.



## Maintenance

### Engine

Refer to the Engine Operator's Manual.

### Shave Plate and Skid Shoes

The shave plate and skid shoes on the bottom of the snow thrower are subject to wear. They should be checked periodically and replaced when necessary.

**NOTE:** Deluxe skid shoes (on select models) have two wear edges. When one side wears out, they can be rotated 180° to use the other edge.

To remove skid shoes:

1. Remove the four carriage bolts and hex flange nuts which secure them to the snow thrower.
2. Reassemble new skid shoes with the four carriage bolts (two on each side) and hex flange nuts. Refer to Figure 6-1.

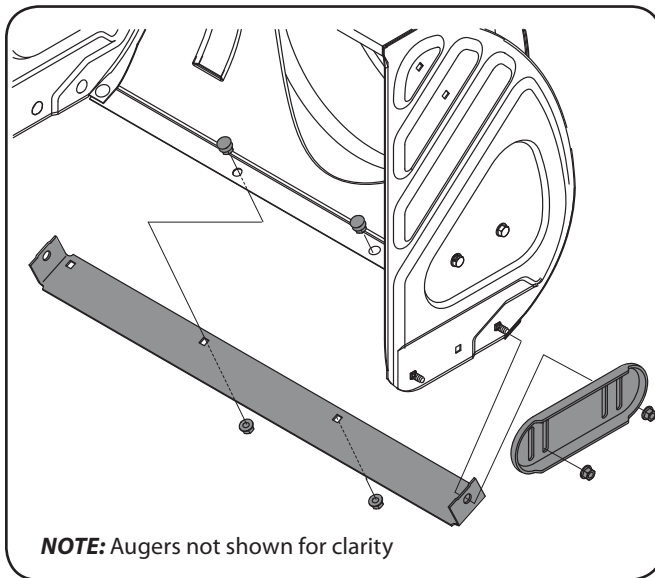


Figure 6-1

To remove shave plate:

1. Remove the carriage bolts and hex nuts which attach it to the auger housing.
2. Reassemble new shave plate, making sure heads of carriage bolts are to the inside of housing. Tighten securely.

### Tire Pressure

Refer to page 11 for information regarding tire pressure.

## Lubrication

### Gear Shaft

The gear (hex) shaft should be lubricated at least once a season or after every twenty-five (25) hours of operation.

1. Allow the engine to run until it is out of fuel.
2. Carefully pivot the snow thrower up and forward so that it rests on the auger housing.
3. Remove the frame cover from the underside of the snow thrower by removing the self-tapping screws which secure it. Refer to Figure 7-3 in the Service section.
4. Apply a light coating of engine oil (or 3-in-1 oil) to the hex shaft. See Figure 6-2.

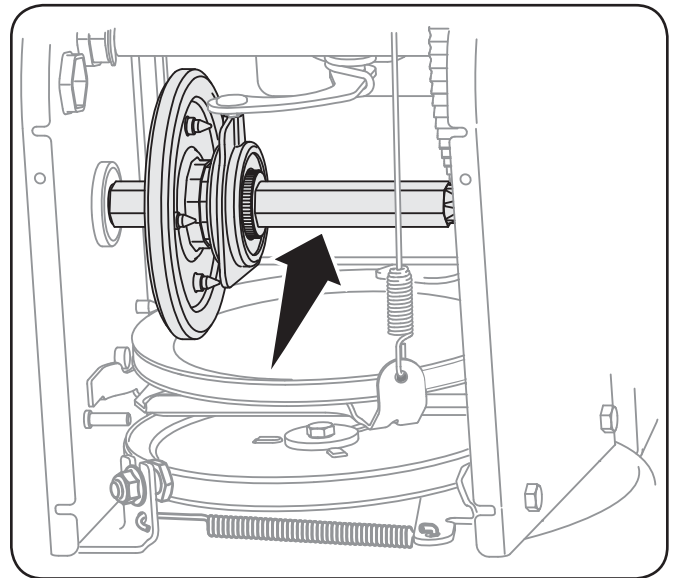


Figure 6-2

### Wheels

At least once a season, remove both wheels. Clean and coat the axles with a multipurpose automotive grease before reinstalling wheels.

### Standard Chute Directional Control (Model 2410)

Once a season, lubricate the eye-bolt bushing and the spiral with 3-in-1 oil.

## Auger Shaft

At least once a season, remove the shear pins from the auger shaft. Spray lubricant inside the shaft and around the spacers and the flange bearings found at either end of the shaft. See Figure 6-3.

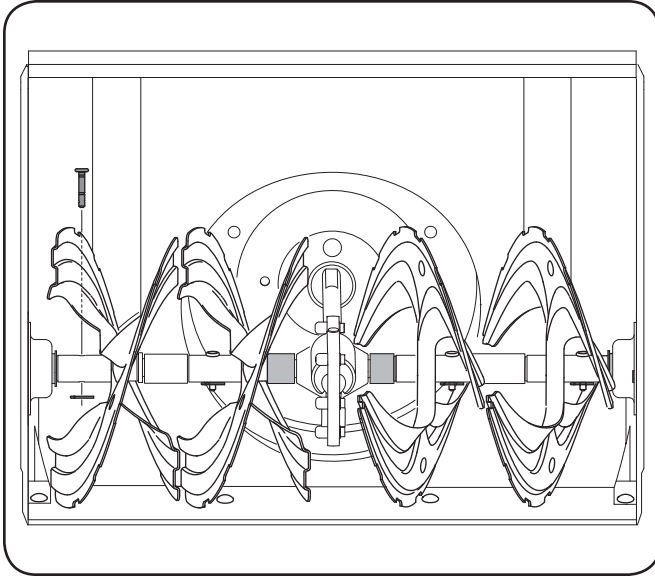


Figure 6-3

## Adjustments

### Shift Cable

If the full range of speeds (forward and reverse) cannot be achieved, adjust the shift cable as follows:

1. Place the shift lever in the fastest forward speed position.
2. Loosen the hex nut on the shift cable index bracket. See Figure 6-4.

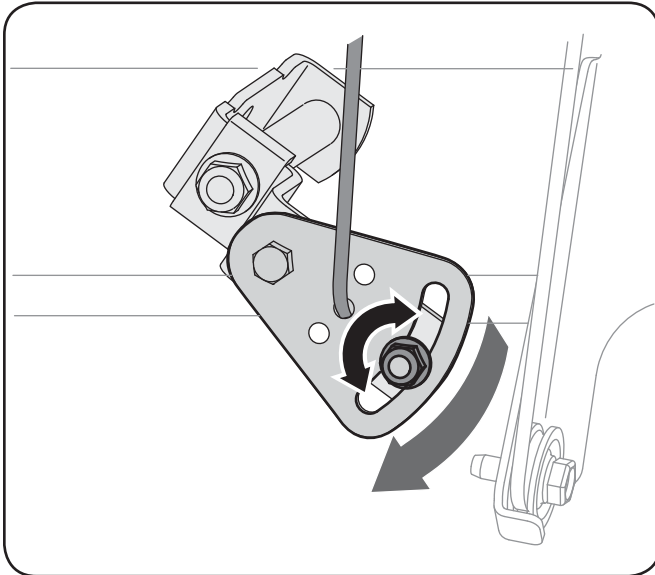


Figure 6-4

3. Pivot the bracket downward to take up slack in the cable.
4. Retighten the hex nut.

## Drive Control

When the drive control is released and in the disengaged “up” position, the cable should have very little slack. It should NOT be tight.

**NOTE:** If excessive slack is present in the drive cable or if the snow thrower’s drive is disengaging intermittently during operation, the cable may be in need of adjustment.

Check the adjustment of the drive control as follows:

1. With the drive control released, push the snow thrower gently forward. The unit should roll freely.
2. Engage the drive control and gently attempt to push the snow thrower forward. The wheels should not turn. The unit should not roll freely.
3. With the drive control released, move the shift lever back and forth between the R2 position and the F6 position several times. There should be no resistance in the shift lever.

If any of the above tests failed, the drive cable is in need of adjustment. Proceed as follows:

1. Shut off the engine as instructed in the separate engine manual.
2. Loosen the lower hex screw on the drive cable bracket. See Figure 6-5.

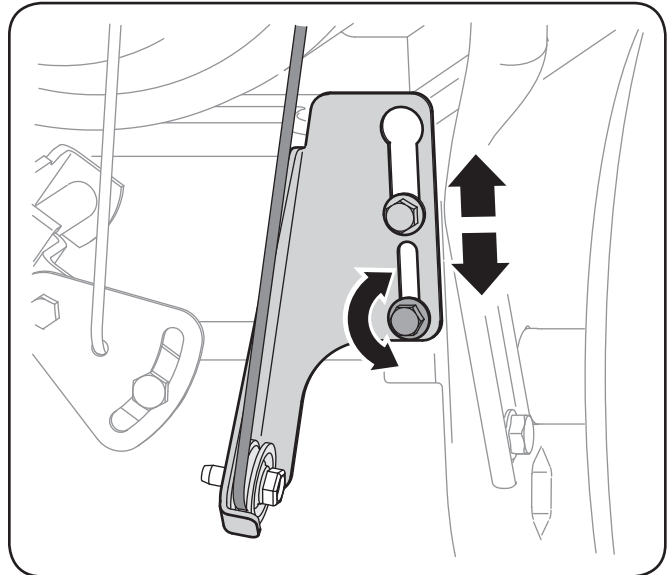


Figure 6-5

3. Position the bracket upward to provide more slack (or downward to increase cable tension).
4. Retighten the upper hex screw.
5. Check the adjustment of the drive control as described above to verify proper adjustment has been achieved.

## Auger Control

Refer to the Assembly and Set-up section for instructions on adjusting the auger control cable.

## Chute Assembly

Refer to the Assembly and Set-up section for instructions on adjusting the chute assembly.

## Skid Shoes

Refer to the Assembly and Set-up section for instructions on adjusting the skid shoes.

## Chute Control Rod (Models 2620 and 2840)

To adjust the chute control rod, proceed as follows:

1. Remove the cotter pin from the hole closest to the chute assembly on the chute rotation assembly.
2. Pull out the chute control rod until the hole in it lines up with the second hole in the chute rotation assembly. See Figure 6-6.

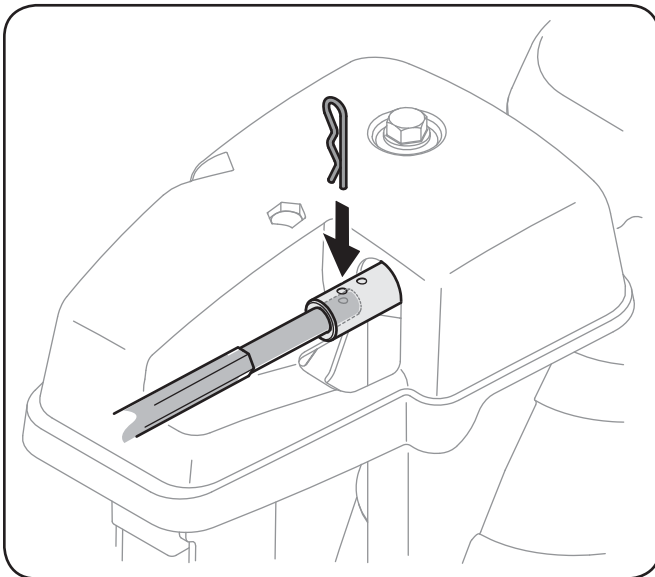


Figure 6-6

3. Reinsert the cotter pin through this hole and the chute control rod. See Figure 6-6.

## Chute Bracket Adjustment (Model 2410)

If the spiral at the bottom of the chute directional control is not fully engaging with the chute assembly, the chute bracket can be adjusted. To do so:

1. Loosen the two nuts which secure the chute bracket and reposition it slightly. See Figure 6-7.

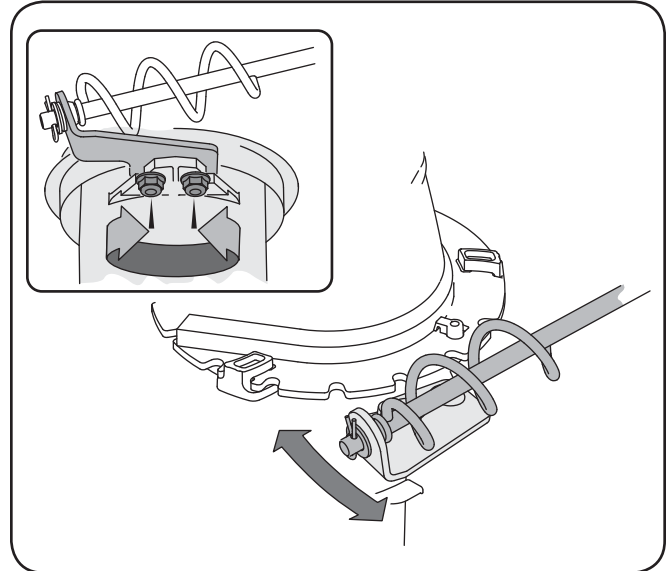


Figure 6-7

2. Retighten the nuts.

## Off-Season Storage

If the snow thrower will not be used for 30 days or longer, follow the storage instructions below.

1. Run the engine until the fuel tank is empty and it stops due to lack of fuel. Do not attempt to pour fuel from the engine.
2. Lubricate the machine as instructed earlier in this section.
3. Store in a clean, dry area.
4. If storing the snow thrower in an unventilated area, rustproof the machine using a light oil or silicone to coat the snow thrower.
5. Clean the exterior of the engine and the snow thrower.

**NOTE:** Refer to the Engine Operator's Manual for information on storing your engine.

## Belt Replacement

### Auger Belt

To remove and replace your snow thrower's auger belt, proceed as follows:

1. Allow the engine to run until it is out of fuel. Do not attempt to pour fuel from the engine. Remove the key to avoid unintended starting.
2. Remove the plastic belt cover on the front of the engine by removing the two self-tapping screws. See Figure 7-1.

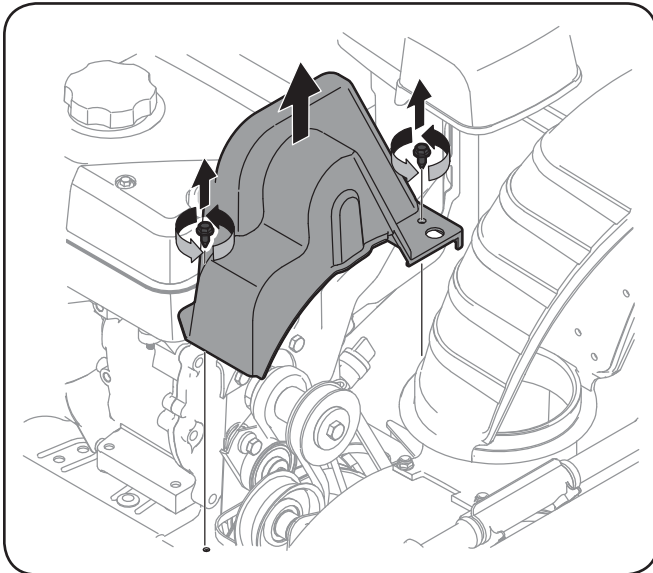


Figure 7-1

3. Roll the auger belt off the engine pulley. See Figure 7-2.

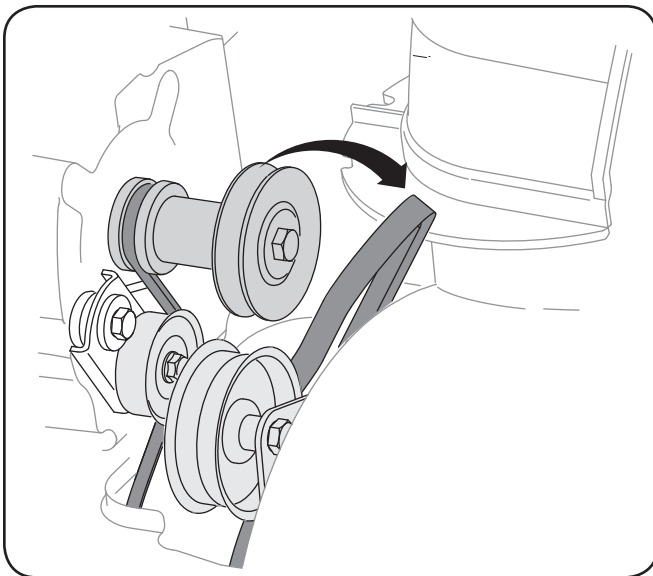


Figure 7-2

4. Carefully pivot the snow thrower up and forward so that it rests on the auger housing.
5. Remove the frame cover from the underside of the snow thrower by removing the self-tapping screws which secure it. See Figure 7-3.

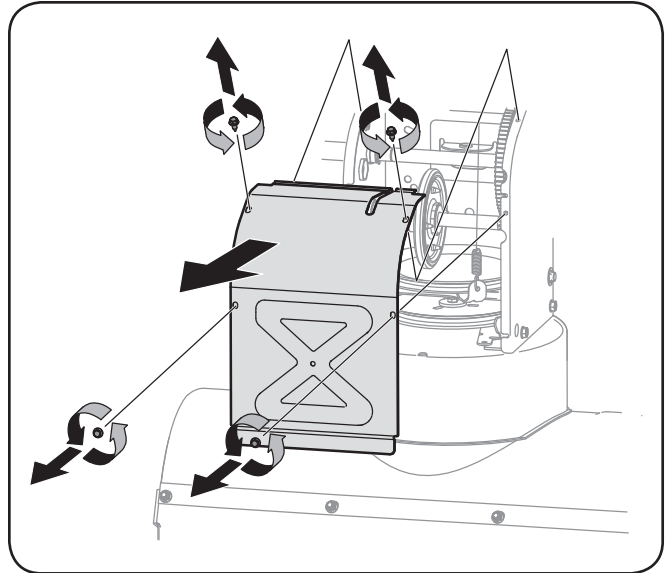


Figure 7-3

6. Loosen and remove the shoulder bolt which acts as a belt keeper. See Figure 7-4.

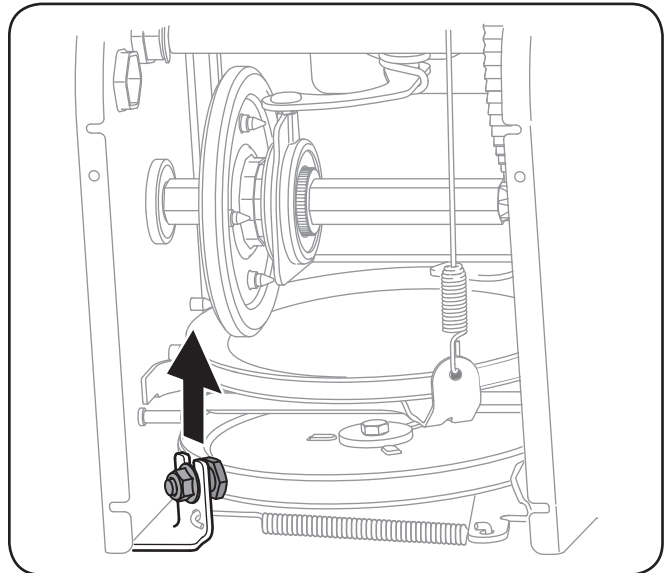
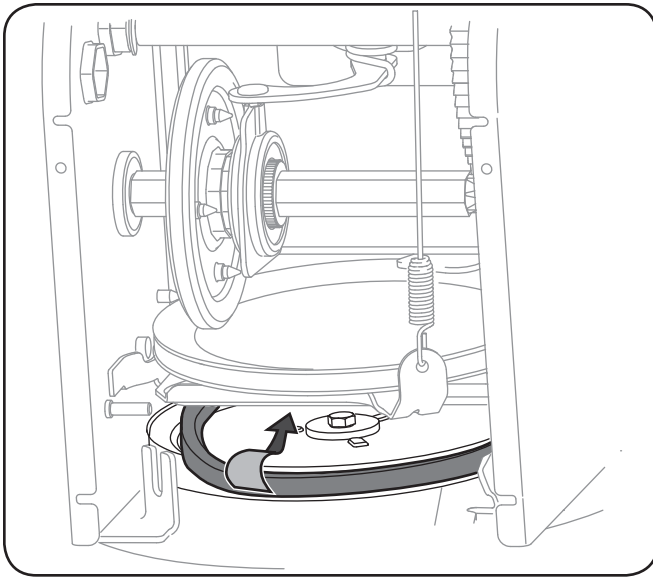


Figure 7-4

- Remove the belt from around the auger pulley, and slip the belt between the support bracket and the auger pulley. See Figure 7-5.

**NOTE:** Engaging the auger control will ease removal and reinstallation of the belt.



**Figure 7-5**

- Replace the auger belt by following instructions in reverse order.

**NOTE:** Do not forget to reinstall the shoulder bolt and reconnect the spring to the frame after installing a replacement auger belt.

- After replacing the auger belt, perform the Auger Control test on page 12 to verify the belt is adjusted correctly.

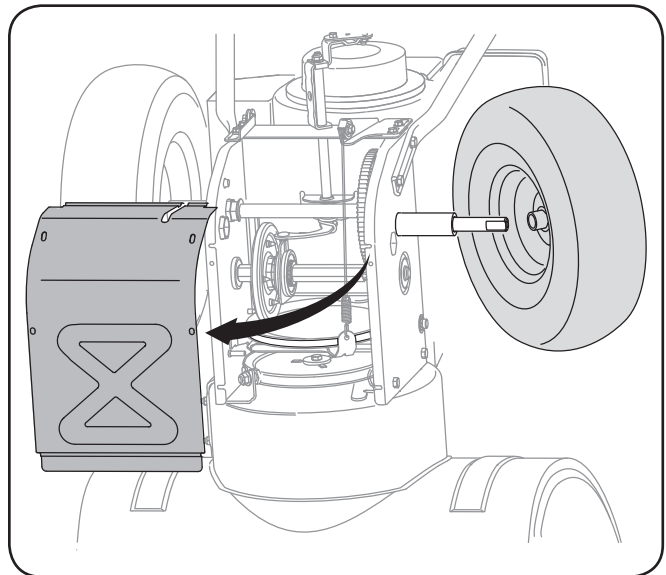
### Drive Belt

**NOTE:** Special tools are required and several components must be removed in order to replace the snow thrower's drive belt. See your authorized service dealer to have the drive belt replaced or phone Customer Support as instructed on page 2 for assistance.

### Friction Wheel Removal

If the snow thrower fails to drive with the drive control engaged, and performing the drive control cable adjustment fails to correct the problem, the friction wheel may need to be replaced. Follow the instructions below. Examine the friction wheel for signs of wear or cracking and replace if necessary:

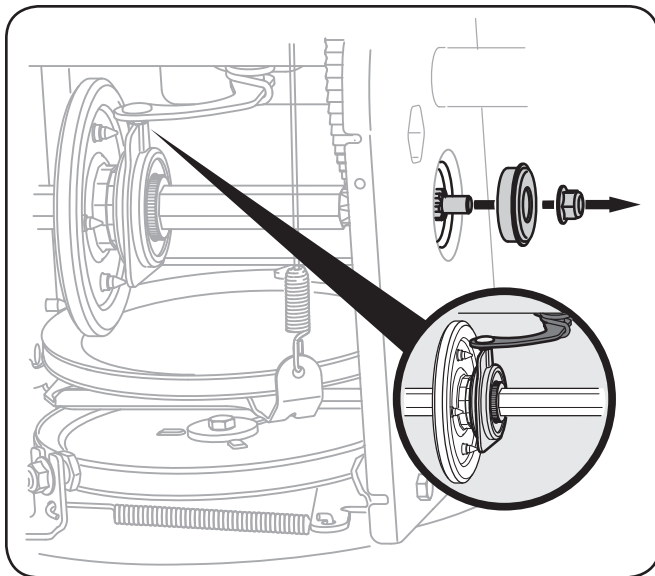
- Allow the engine to run until it is out of fuel. Do not attempt to pour fuel from the engine.
- Place the shift lever in first Forward (F1) position.
- Carefully pivot the snow thrower up and forward so that it rests on the auger housing.
- Remove the frame cover from the underside of the snow thrower by removing the self-tapping screws which secure it. Remove the right-hand wheel by removing the screw and bell washer which secure it to the axle. See Figure 7-6.



**Figure 7-6**

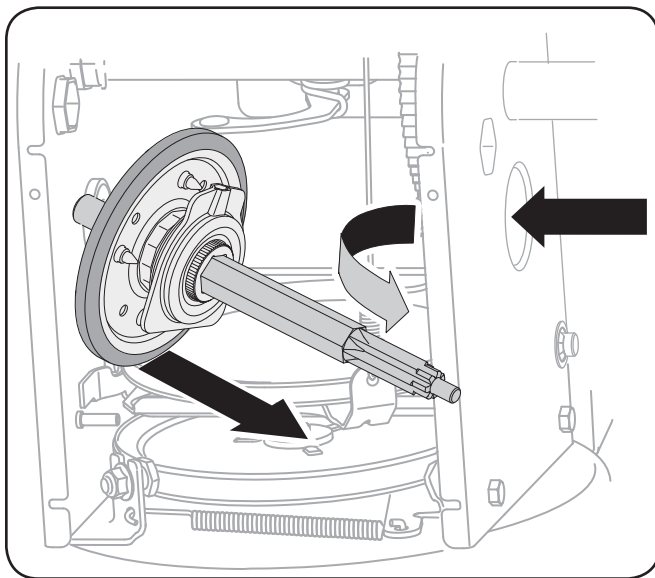
- Carefully remove the hex nut which secures the hex shaft to the snow thrower frame and lightly tap the shaft's end to dislodge the ball bearing from the right side of the frame. See Figure 7-7.

**NOTE:** Be careful not to damage the threads on the shaft.



**Figure 7-7**

- Carefully position the hex shaft downward and to the left before carefully sliding the friction wheel assembly off the shaft. See Figure 7-8.



**Figure 7-8**

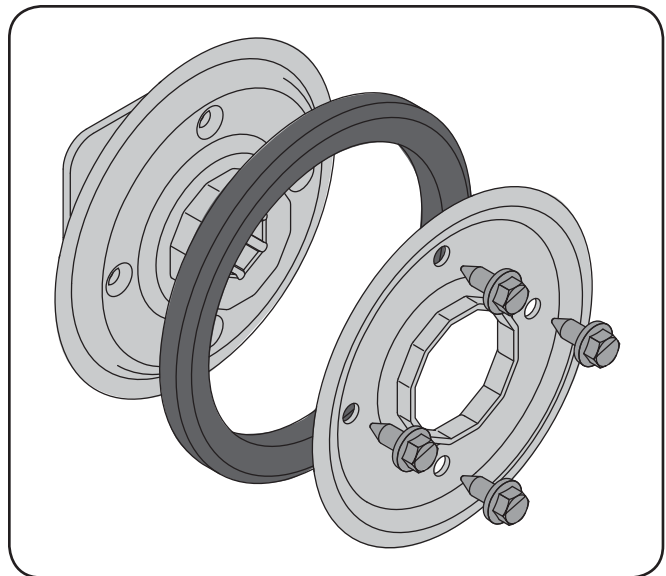
**NOTE:** If you're replacing the friction wheel assembly as a whole, discard the worn part and slide the new part onto the hex shaft.

- Follow the previous steps in reverse order to reassemble components.
- Perform the Drive Control test on page 18 in the Maintenance and Adjustments section.

If you're disassembling the friction wheel and replacing only the rubber ring, proceed as follows:

**NOTE:** Not all friction wheels are serviceable. If this is the case, simply replace the friction wheel assembly.

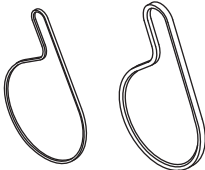
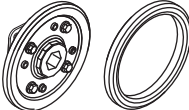
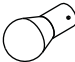
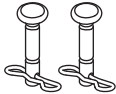
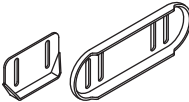
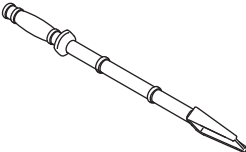
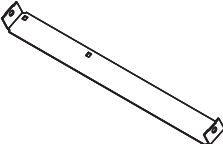
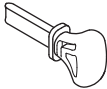
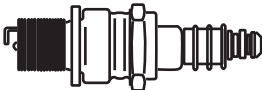
- Remove the four screws which secure the friction wheel's side plates together. See Figure 7-9.



**Figure 7-9**

- Remove the rubber ring from between the plates.
- Reassemble the side plates with a new rubber ring.  
**NOTE:** When reassembling the friction wheel assembly, make sure that the rubber ring is centered and seated properly between the side plates. Tighten each screw only one rotation before turning the wheel clockwise and proceeding with the next screw. Repeat this process several times to ensure the plates are secured with equal force (between 6 ft-lbs and 9 ft-lbs).
- Slide the friction wheel assembly back onto the hex shaft and follow the steps above in reverse order to reassemble components.  
**NOTE:** Make sure the shift lever pin is in place in the bearing housing. See Figure 7-7 inset.
- After replacing the friction wheel, perform the Drive Control test on page 18 in the Maintenance and Adjustments section.

Problem	Cause	Remedy
Engine fails to start	<ol style="list-style-type: none"> <li>1. Choke not in CHOKE position.</li> <li>2. Spark plug wire disconnected.</li> <li>3. Fuel tank empty or stale fuel.</li> <li>4. Engine not primed.</li> <li>5. Faulty spark plug.</li> <li>6. Key not in ignition on engine.</li> <li>7. Extension cord not connected (when using electric start button, on models so equipped).</li> </ol>	<ol style="list-style-type: none"> <li>1. Move choke to CHOKE position.</li> <li>2. Connect wire to spark plug.</li> <li>3. Fill tank with clean, fresh gasoline.</li> <li>4. Prime engine as instructed in the Operation section.</li> <li>5. Clean, adjust gap, or replace.</li> <li>6. Insert key fully into the switch.</li> <li>7. Connect one end of the extension cord to the electric starter outlet and the other end to a three-prong 120-volt, grounded, AC outlet.</li> </ol>
Engine running erratically/ inconsistent RPM (hunting or surging)	<ol style="list-style-type: none"> <li>1. Engine running on CHOKE.</li> <li>2. Stale fuel.</li> <li>3. Water or dirt in fuel system.</li> <li>4. Carburetor out of adjustment.</li> <li>5. Engine over-governed.</li> </ol>	<ol style="list-style-type: none"> <li>1. Move choke lever to RUN position.</li> <li>2. Fill tank with clean, fresh gasoline.</li> <li>3. Drain fuel tank. Refill with fresh fuel.</li> <li>4. Contact an authorized Service Center.</li> <li>5. Contact an authorized Service Center.</li> </ol>
Engine overheats	<ol style="list-style-type: none"> <li>1. Carburetor not adjusted properly.</li> </ol>	<ol style="list-style-type: none"> <li>1. Contact an authorized Service Center.</li> </ol>
Excessive vibration	<ol style="list-style-type: none"> <li>1. Loose parts or damaged auger.</li> </ol>	<ol style="list-style-type: none"> <li>1. Stop engine immediately and disconnect spark plug wire. Tighten all bolts and nuts. If vibration continues, have unit serviced by an authorized Service Center.</li> </ol>
Loss of power	<ol style="list-style-type: none"> <li>1. Spark plug wire loose.</li> <li>2. Gas cap vent hole plugged.</li> </ol>	<ol style="list-style-type: none"> <li>1. Connect and tighten spark plug wire.</li> <li>2. Remove ice and snow from gas cap. Be certain vent hole is clear.</li> </ol>
Unit fails to propel itself	<ol style="list-style-type: none"> <li>1. Drive control cable in need of adjustment.</li> <li>2. Drive belt loose or damaged.</li> <li>3. Friction wheel worn.</li> </ol>	<ol style="list-style-type: none"> <li>1. Adjust drive control cable. Refer to Maintenance &amp; Adjustments section.</li> <li>2. Contact an authorized Service Center.</li> <li>3. Replace friction wheel. Refer to Service section.</li> </ol>
Unit fails to discharge snow	<ol style="list-style-type: none"> <li>1. Chute assembly clogged.</li> <li>2. Foreign object lodged in auger.</li> <li>3. Auger control cable in need of adjustment.</li> <li>4. Auger belt loose or damaged.</li> <li>5. Shear pin(s) sheared.</li> </ol>	<ol style="list-style-type: none"> <li>1. Stop engine immediately and disconnect spark plug wire. Clean chute assembly and inside of auger housing with clean-out tool or a stick.</li> <li>2. Stop engine immediately and disconnect spark plug wire. Remove object from auger with clean-out tool or a stick.</li> <li>3. Refer to Auger Control Test.</li> <li>4. Refer to Maintenance &amp; Adjustments section.</li> <li>5. Replace with new shear pin(s).</li> </ol>
Chute fails to easily rotate 180 degrees	<ol style="list-style-type: none"> <li>1. Chute assembled incorrectly.</li> </ol>	<ol style="list-style-type: none"> <li>1. Disassemble chute control and reassemble as directed in the Assembly section.</li> </ol>

Component	Part Number and Description
	954-04050 Auger Drive Belt (Storm 2410 & Storm 2620) 954-04195A Auger Drive Belt (Storm 2840) 954-04260 Wheel Drive Belt (Storm 2410 & Storm 2620) 954-04201A Wheel Drive Belt (Storm 2840)
	684-04153C Friction Wheel Assembly 935-04054 Friction Wheel Rubber
	925-1629 † Lamp, 12V
	738-04124A Shear Pin, 1.50 714-04040 Bow-tie Cotter Pin
	784-5580 Slide Shoe, Standard 790-00091 Slide Shoe, Deluxe
	931-2643 Chute Clean-out Tool
	790-00120 Shave Plate (Storm 2410) 790-00121 Shave Plate (Storm 2620) 790-00118 Shave Plate (Storm 2840)
	951-10630 Key
	951-10292 Spark Plug

† If Equipped

Phone (800) 828-5500 to order replacement parts or a complete Parts Manual (have your full model number and serial number ready).  
 Parts Manual downloads are also available free of charge at [www.troybilt.com](http://www.troybilt.com).



# Attachments & Accessories

The following attachments and accessories are available for your Troy-Bilt snow thrower. Phone (800) 828-5500 for information regarding compatibility, price and availability (have your full model number and serial number ready).

Model Number	Description
929-0071A	Extension Cord, 110V
753-05762A	Heated Grips*
OEM-390-679	Drift Cutter Kit
490-241-0010	Polymer Skid Shoe Kit
490-241-0032	Snow Cab
490-241-Y014	Troy-Bilt Snow Thrower Maintenance Kit
490-290-0010	Snow Thrower Cover
490-241-0028	Snow Thrower Tire Chains (16" x 4.8" Tires)
490-241-0029	Snow Thrower Tire Chains (16" x 6.5" Tires)
490-900-0062	Non-Stick Spray
490-240-0011	Fuel Test Swabs
490-850-0008	Siphon Pump
490-000-0028	Carburetor and Choke Cleaner
490-325-L019	24 oz. Tire and Tube Sealant
490-325-L021	1 Gallon Tire and Tube Sealant
490-850-L013	Tire/Tube Foot Pump
490-850-L014	Deluxe Tire Plug Kit
22208	8 oz. Fuel Stabilizer
22216	32 oz. Fuel Stabilizer

\*Not compatible with Storm 2410.





# MANUFACTURER'S LIMITED WARRANTY FOR



The limited warranty set forth below is given by Troy-Bilt LLC with respect to new merchandise purchased and used in the United States and/or its territories and possessions, and by MTD Products Limited with respect to new merchandise purchased and used in Canada and/or its territories and possessions (either entity respectively, "Troy-Bilt").

This warranty is in addition to any applicable emissions warranty provided with your product.

"Troy-Bilt" warrants this product (excluding its *Normal Wear Parts* and *Attachments* as described below) against defects in material and workmanship for a period of two (2) years commencing on the date of original purchase and will, at its option, repair or replace, free of charge, any part found to be defective in materials or workmanship. This limited warranty shall only apply if this product has been operated and maintained in accordance with the Operator's Manual furnished with the product, and has not been subject to misuse, abuse, commercial use, neglect, accident, improper maintenance, alteration, vandalism, theft, fire, water, or damage because of other peril or natural disaster. Damage resulting from the installation or use of any part, accessory or attachment not approved by Troy-Bilt for use with the product(s) covered by this manual will void your warranty as to any resulting damage.

*Normal Wear Parts* are warranted to be free from defects in material and workmanship for a period of thirty (30) days from the date of purchase. Normal wear parts include, but are not limited to items such as: batteries, belts, blades, blade adapters, tines, grass bags, wheels, rider deck wheels, seats, snow thrower skid shoes, friction wheels, shave plates, auger spiral rubber and tires.

*Attachments* — Troy-Bilt warrants attachments for this product against defects in material and workmanship for a period of one (1) year, commencing on the date of the attachment's original purchase or lease. Attachments include, but are not limited to items such as: grass collectors and mulch kits.

**HOW TO OBTAIN SERVICE:** Warranty service is available, WITH PROOF OF PURCHASE, through your local authorized service dealer. To locate the dealer in your area:

## **In the U.S.A.**

Check your Yellow Pages, or contact Troy-Bilt LLC at P.O. Box 361131, Cleveland, Ohio 44136-0019, or call 1-866-840-6483, 1-330-558-7220 or log on to our Web site at [www.troybilt.com](http://www.troybilt.com).

## **In Canada**

Contact MTD Products Limited, Kitchener, ON N2G 4J1, or call 1-800-668-1238 or log on to our Web site at [www.mtdcanada.com](http://www.mtdcanada.com).

This limited warranty does **not** provide coverage in the following cases:

- a. Log splitter pumps, valves, and cylinders have a separate one-year warranty.

- b. Routine maintenance items such as lubricants, filters, blade sharpening, tune-ups, brake adjustments, clutch adjustments, deck adjustments, and normal deterioration of the exterior finish due to use or exposure.
- c. Service completed by someone other than an authorized service dealer.
- d. Troy-Bilt does not extend any warranty for products sold or exported outside of the United States and/or Canada, and their respective possessions and territories, except those sold through Troy-Bilt's authorized channels of export distribution.
- e. Replacement parts that are not genuine Troy-Bilt parts.
- f. Transportation charges and service calls.
- g. Troy-Bilt does not warrant this product for commercial use.

**No implied warranty, including any implied warranty of merchantability or fitness for a particular purpose, applies after the applicable period of express written warranty above as to the parts as identified. No other express warranty, whether written or oral, except as mentioned above, given by any person or entity, including a dealer or retailer, with respect to any product, shall bind Troy-Bilt. During the period of the warranty, the exclusive remedy is repair or replacement of the product as set forth above.**

**The provisions as set forth in this warranty provide the sole and exclusive remedy arising from the sale. Troy-Bilt shall not be liable for incidental or consequential loss or damage including, without limitation, expenses incurred for substitute or replacement lawn care services or for rental expenses to temporarily replace a warranted product.**

Some states do not allow the exclusion or limitation of incidental or consequential damages, or limitations on how long an implied warranty lasts, so the above exclusions or limitations may not apply to you.

In no event shall recovery of any kind be greater than the amount of the purchase price of the product sold. **Alteration of safety features of the product shall void this warranty.** You assume the risk and liability for loss, damage, or injury to you and your property and/or to others and their property arising out of the misuse or inability to use the product.

This limited warranty shall not extend to anyone other than the original purchaser or to the person for whom it was purchased as a gift.

**HOW STATE LAW RELATES TO THIS WARRANTY:** This limited warranty gives you specific legal rights, and you may also have other rights which vary from state to state.

**IMPORTANT:** Owner must present Original Proof of Purchase to obtain warranty coverage.

**Troy-Bilt LLC, P.O. BOX 361131 CLEVELAND, OHIO 44136-0019; Phone: 1-866-840-6483, 1-330-558-7220  
MTD Canada Limited - KITCHENER, ON N2G 4J1; Phone 1-800-668-1238**

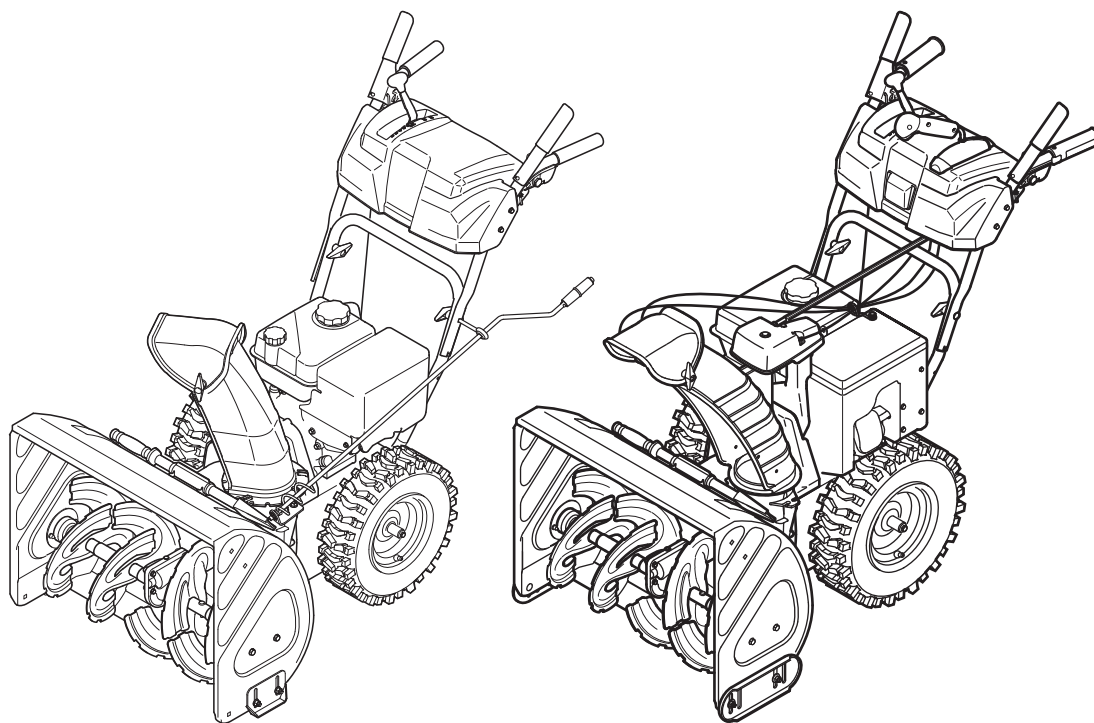
---

Medidas importantes de seguridad • Configuración • Funcionamiento • Mantenimiento • Servicio •  
Solución de problemas • Garantía

---



## MANUAL DEL OPERADOR



**Máquina quitanieve de dos etapas — Storm 2410, 2620 & 2840**

### **⚠ ADVERTENCIA**

**LEA Y SIGA TODAS LAS INSTRUCCIONES DE ESTE MANUAL ANTES DE PONER EN  
FUNCIONAMIENTO ESTA MÁQUINA.  
SI NO RESPETA ESTAS INSTRUCCIONES PUEDE PROVOCAR LESIONES PERSONALES.**

---

TROY-BILT LLC, P.O. BOX 361131 CLEVELAND, OHIO 44136-0019

---

## Gracias

Gracias por comprar una Troy-Bilt máquina quitanieve. La misma ha sido diseñada cuidadosamente para brindar excelente rendimiento si se la opera y mantiene correctamente.

Por favor lea todo este manual antes de operar el equipo. Le indica cómo configurar, operar y mantener la máquina con seguridad y fácilmente. Por favor asegúrese de seguir cuidadosamente y en todo momento las prácticas de seguridad recomendadas, y hacérselas seguir a cualquier otra persona que opere la máquina. En caso de no hacerlo podrían producirse lesiones personales o daños materiales.

Toda la información contenida en este manual hace referencia a la más reciente información de producto disponible en el momento de la impresión. Revise el manual frecuentemente para familiarizarse con la unidad, sus características y funcionamiento. Por favor tenga en cuenta que este Manual del Operador puede cubrir una gama de especificaciones de productos de diferentes modelos. Las características y funciones incluidas y/o ilustradas en este manual pueden no ser aplicables

a todos los modelos. Reservamos el derecho de modificar las especificaciones de los productos, los diseños y el equipo estándar sin previo aviso y sin generar responsabilidad por obligaciones de ningún tipo.

En su caso, los datos de prueba de potencia utilizados para establecer la máxima potencia equipado en esta máquina se pueden encontrar en [www.opei.org](http://www.opei.org) o sitio web del fabricante del motor.

Si tiene algún problema o duda respecto a la unidad, llame a un distribuidor de servicio Troy-Bilt autorizado o póngase en contacto directamente con nosotros. Los números de teléfono, dirección del sitio web y dirección postal de la Asistencia al Cliente de Troy-Bilt se encuentran en esta página. Queremos garantizar su entera satisfacción en todo momento.

En este manual, las referencias al lado *derecho* o *izquierdo* de la máquina se observan desde la posición del operador.

## Índice

<b>Medidas importantes de seguridad</b> .....	<b>31</b>	<b>Servicio</b> .....	<b>48</b>
<b>Ensamblado y Configuración</b> .....	<b>35</b>	<b>Solución de Problemas</b> .....	<b>52</b>
<b>Controles y Características</b> .....	<b>41</b>	<b>Piezas de Reemplazo</b> .....	<b>54</b>
<b>Funcionamiento</b> .....	<b>44</b>	<b>Accesorios</b> .....	<b>55</b>
<b>Mantenimiento y Ajustes</b> .....	<b>45</b>	<b>Garantía</b> .....	<b>Cubierta posterior</b>

## Registro de información de producto

Antes de configurar y operar su equipo nuevo, por favor localice la placa del modelo en el equipo y registre la información en el área situada a la derecha. Para encontrar la placa de modelo, colóquese detrás de la unidad en la posición del operador y mire hacia la parte inferior de la sección trasera del chasis. Si tiene que solicitar soporte técnico a través de nuestro sitio web, el Departamento de Asistencia al Cliente, o de un distribuidor de servicio autorizado local, necesitará esta información.

### NÚMERO DE MODELO

--	--	--	--	--	--	--	--	--	--	--	--

### NÚMERO DE SERIE

--	--	--	--	--	--	--	--	--	--	--	--

## Asistencia al Cliente

**Por favor, NO devuelva la unidad al minorista o distribuidor sin ponerse en contacto primero con el Departamento de Asistencia al Cliente.**

En caso de tener problemas para montar este producto o de tener dudas con respecto a los controles, funcionamiento o mantenimiento del mismo, puede solicitar la ayuda de expertos. Elija entre las opciones que se presentan a continuación:

◇ Visite nuestro sitio web en [www.troybilt.com](http://www.troybilt.com)



Ver Vídeos demostrativos de instalación de mantenimiento y piezas en [www.troybilt.com/Tutorials](http://www.troybilt.com/Tutorials)

◇ Llame a un representante de Asistencia al Cliente al (800) 828-5500 ó (330) 558-7220

◇ Escribanos a Troy-Bilt LLC • P.O. Box 361131 • Cleveland, OH • 44136-0019



**¡ADVERTENCIA!** La presencia de este símbolo indica que se trata de instrucciones importantes de seguridad que se deben respetar para evitar poner en peligro su seguridad personal y/o material y la de otras personas. Lea y siga todas las instrucciones de este manual antes de poner en funcionamiento esta máquina. Si no respeta estas instrucciones puede provocar lesiones personales.

Cuando vea este símbolo. **¡TENGA EN CUENTAS LAS ADVERTENCIAS!**

## PROPOSICIÓN 65 DE CALIFORNIA



**¡ADVERTENCIA!** El escape del motor de este producto, algunos de sus componentes y algunos componentes del vehículo contienen o liberan sustancias químicas que el estado de California considera que pueden producir cáncer, defectos de nacimiento u otros problemas reproductivos.



**PELIGRO:** Esta máquina está diseñada para ser utilizada respetando las normas de seguridad contenidas en este manual. Al igual que con cualquier tipo de equipo motorizado, un descuido o error por parte del operador puede producir lesiones graves. Esta máquina es capaz de amputar dedos, manos y pies y de arrojar objetos extraños con gran fuerza. De no respetar las instrucciones de seguridad siguientes se pueden producir lesiones graves o la muerte.

## Capacitación

1. Lea, entienda y cumpla todas las instrucciones incluidas en la máquina y en los manuales antes de montarla y utilizarla. Guarde este manual en un lugar seguro para consultas futuras y periódicas, así como para solicitar repuestos.
2. Familiarícese con todos los controles y con el uso adecuado de los mismos. Sepa cómo detener la máquina y desactivar los controles rápidamente.
3. No permita nunca que los niños menores de 14 años utilicen esta máquina. Los niños de 14 años en adelante deben leer y entender las instrucciones de operación y normas de seguridad contenidas en este manual, y en la máquina y deben ser entrenados y supervisados por un adulto.
4. Nunca permita que los adultos operen esta máquina sin recibir antes la instrucción apropiada.
5. Los objetos arrojados por la máquina pueden producir lesiones graves. Planifique el patrón en el que va a ir arrojando nieve para evitar que la descarga de material se realice hacia los caminos, los observadores, etc.
6. Mantenga a los observadores, ayudantes, mascotas y niños por lo menos a 75 pies de la máquina mientras la misma está en funcionamiento. Detenga la máquina si alguien se acerca.

7. Sea precavido para evitar patinarse o caerse especialmente cuando opera la máquina en reversa.

## Preparativos

Inspeccione minuciosamente el área donde utilizará el equipo. Saque todos los felpudos, periódicos, trineos, tablas, cables y otros objetos extraños con los que podría tropezar o que podrían ser arrojados por la barrena / impulsor.

1. Para protegerse los ojos utilice siempre anteojos o antiparras de seguridad mientras opera la máquina o mientras la ajusta o repara. Los objetos arrojados que rebotan pueden producir lesiones oculares graves.
2. No opere la máquina sin la vestimenta adecuada para estar al aire libre en invierno. No utilice alhajas, bufandas largas u otras prendas sueltas que podrían enredarse en las partes móviles. Utilice un calzado especial para superficies resbaladizas.
3. Use un prolongador y un tomacorriente de tres cables con conexión a tierra para todas las máquinas con motores de encendido eléctrico.
4. Ajuste la altura de la caja del tomacorriente para limpiar la grava o las superficies con piedras trituradas.
5. Desengrane todas las palancas de control antes de arrancar el motor.

6. Nunca intente realizar ajustes mientras el motor está en marcha excepto en los casos específicamente recomendados en el manual del operador.
7. Deje que el motor y la máquina se adapten a la temperatura exterior antes de comenzar a sacar la nieve.

## Manejo seguro de la gasolina

Para evitar lesiones personales o daños materiales tenga mucho cuidado cuando trabaje con gasolina. La gasolina es sumamente inflamable y sus vapores pueden causar explosiones. Si se derrama gasolina encima o sobre la ropa se puede lesionar gravemente ya que se puede incendiar. Lávese la piel y cámbiese de ropa de inmediato.

- a. Utilice sólo los recipientes para gasolina autorizados.
- b. Apague todos los cigarrillos, cigarros, pipas y otras fuentes de combustión.
- c. Nunca cargue combustible en la máquina en un espacio cerrado.
- d. Nunca saque la tapa del combustible ni agregue combustible mientras el motor está caliente o en marcha.
- e. Deje que el motor se enfríe por lo menos dos minutos antes de volver a cargar combustible.
- f. Nunca llene en exceso el depósito de combustible. Llene el tanque a no más de ½ pulgada por debajo de la base del cuello de llenado dejando espacio para la dilatación del combustible.
- g. Vuelva a colocar la tapa de la gasolina y ajústela bien.
- h. Limpie el combustible que se haya derramado sobre el motor y el equipo. Traslade la máquina a otra zona. Espere 5 minutos antes de encender el motor.
- i. Nunca almacene la máquina o el recipiente de combustible en un espacio cerrado donde haya fuego, chispas o luz piloto (por ejemplo, hornos, calentadores de agua, calefactores, secadores de ropa, etc.).
- j. Deje que la máquina se enfríe por lo menos 5 minutos antes de guardarla.
- k. Nunca llene los recipientes en el interior de un vehículo o camión o caja de remolque con recubrimientos plásticos. Coloque siempre los recipientes en el piso y lejos del vehículo antes de llenarlos.
- l. Si es posible, retire el equipo a gasolina del camión o remolque y llénelo en el suelo. Si esto no es posible, llene el equipo en un remolque con contenedor portátil, en vez de desde una boquilla dispensadora de gasolina.
- m. Mantenga la boquilla dispensadora en contacto con el borde del depósito de combustible o con la abertura del recipiente en todo momento, hasta terminar la carga. No utilice un dispositivo de apertura/cierre de boquilla.

## Funcionamiento

1. No ponga las manos o los pies cerca de las piezas rotatorias, en la caja de la barrena / impulsor o en el montaje del canal de descarga. Hacer contacto con piezas giratorias puede resultar en la amputación de manos o pies.

2. La palanca de control de la barrena / impulsor es un dispositivo de seguridad. Nunca evite su funcionamiento. De hacerlo la operación de la máquina es riesgosa y puede ocasionar lesiones.
3. Las palancas de control deben funcionar bien en ambas direcciones y regresar automáticamente a la posición de desengrane cuando se las suelta.
4. Nunca opere la máquina si falta un montaje del canal o si el mismo está dañado. Mantenga todos los dispositivos de seguridad en su lugar y en funcionamiento.
5. Nunca encienda el motor en espacios cerrados o en una zona con poca ventilación. El escape del motor contiene monóxido de carbono, un gas inodoro y letal.
6. No utilice la máquina bajo la influencia del alcohol o las drogas.
7. El silenciador y el motor se calientan y pueden causar quemaduras. No los toque. Mantenga a los niños alejados.
8. Sea sumamente precavido cuando opere la máquina sobre una superficie con grava o cuando la cruce. Manténgase alerta por si se presentan peligros ocultos o tránsito.
9. Tenga cuidado cuando cambie de dirección o cuando opere la máquina en pendientes. No use la máquina en pendientes pronunciadas.
10. Planifique el patrón en el que va a ir arrojando nieve para evitar que la descarga de material se produzca hacia las ventanas, las paredes, los automóviles, etc. y evitar así posibles daños materiales o lesiones producidas por los rebotes.
11. Nunca dirija la descarga hacia los niños, los observadores o las mascotas ni deje que nadie se pare delante de la máquina.
12. No sobrecargue la capacidad de la máquina tratando de sacar la nieve muy rápidamente.
13. Nunca opere esta máquina sin buena visibilidad o iluminación. Siempre debe estar seguro de que está bien afirmado y sujetando firmemente las manijas. Camine, nunca corra.
14. Corte la corriente a la barrena / impulsor cuando transporte la máquina o cuando la misma no está en uso.
15. Nunca opere la máquina a alta velocidad de desplazamiento sobre superficies resbaladizas. Mire hacia abajo y hacia atrás y tenga cuidado cuando vaya marcha atrás.
16. Si la máquina comenzara a vibrar de manera anormal, detenga el motor, desconecte el cable de la bujía y póngala de manera que haga masa contra el motor. Inspeccione la máquina minuciosamente para ver si está dañada. Repare todos los daños antes de encender y operar la máquina.
17. Desengrane todas las palancas de control y detenga el motor antes de dejar la posición de operación (detrás de las manijas). Espere a que la barrena / impulsor se detenga por completo antes de destapar el montaje del canal o realizar ajustes e inspecciones.
18. Nunca ponga las manos en las aberturas de descarga o de recolección. Utilice siempre la herramienta de limpieza que se adjunta para destapar la abertura de descarga. No destape el montaje del canal mientras el motor está en funcionamiento. Antes de destaparlo, apague el motor y permanezca detrás de las manijas hasta que todas las partes móviles se hayan detenido.
19. Use sólo uniones y accesorios aprobados por el fabricante (por ejemplo, pesas para las ruedas, cadenas para los neumáticos, cabinas, etc.).



20. Para encender el motor, jale de la cuerda lentamente hasta que sienta resistencia, luego jale rápidamente. El repliegue rápido de la cuerda de arranque (tensión de retroceso) le jalará la mano y el brazo hacia el motor más rápido de lo que usted puede soltar. El resultado pueden ser huesos rotos, fracturas, hematomas o esguinces.
21. Si se presentan situaciones que no están previstas en este manual, sea cuidadoso y use el sentido común. Póngase en contacto con Asistencia al Cliente para solicitar ayuda y el nombre del distribuidor de servicio más cercano.

## Mantenimiento y Almacenamiento

1. Nunca altere los dispositivos de seguridad. Controle periódicamente que funcionen correctamente. Remítase a las secciones de mantenimiento y ajuste de este manual.
2. Antes de realizar la limpieza, reparar o revisar la máquina, desengrane todas las palancas de control y detenga el motor. Espere a que la barrena / impulsor se detenga por completo. Desconecte el cable de la bujía y póngalo haciendo masa contra el motor para evitar que se encienda accidentalmente.
3. Controle frecuentemente que todos los pernos y tornillos estén bien ajustados para comprobar que la máquina se encuentra en condiciones seguras de funcionamiento. Además, haga una inspección visual de la máquina para verificar si está dañada.
4. No cambie la configuración del regulador del motor ni acelere demasiado el mismo. El regulador del motor controla la velocidad máxima segura de funcionamiento del motor.
5. Las placas de raspado y las zapatas antideslizantes que se usan con la máquina quitanieve se desgastan y se dañan. Para proteger su seguridad, verifique frecuentemente todos los componentes y reemplácelos sólo con partes de los fabricantes de equipos originales (OEM). "¡El uso de piezas que no cumplen con las especificaciones del equipo original puede resultar en rendimiento inadecuado además de poner en riesgo la seguridad!"
6. Revise las palancas de control periódicamente para verificar que engranen y desengranen adecuadamente y ajústelos si es necesario. Consulte la sección de ajustes de este manual del operador para obtener instrucciones.
7. Mantenga o reemplace las etiquetas de seguridad e instrucciones según sea necesario.
8. Respete las normas referentes a la disposición correcta y las reglamentaciones sobre gasolina, aceite, etc. para proteger el medio ambiente.
9. Antes de almacenar la máquina enciéndala unos minutos para sacar la nieve que haya quedado en la misma y para evitar así que se congele la barrena / impulsor.
10. Nunca almacene la máquina o el recipiente de combustible en un espacio cerrado donde haya fuego, chispas o luz piloto como por ejemplo, calentadores de agua, hornos, secadores de ropa, etc.
11. Consulte siempre el manual del operador para obtener instrucciones adecuadas para el almacenamiento fuera de temporada.

12. Verifique frecuentemente la línea de combustible, el tanque, el tapón, y los accesorios buscando rajaduras o pérdidas. Reemplace de ser necesario.
13. No dé arranque al motor si no está la bujía de encendido.
14. Según la Comisión de Seguridad de Productos para el Consumidor de los Estados Unidos (CPSC) y la Agencia de Protección Ambiental de los Estados Unidos (EPA), este producto tiene una *vida útil media* de siete (7) años, ó 60 horas de funcionamiento. Al finalizar la *vida útil media*, adquiera una máquina nueva o haga inspeccionar anualmente ésta por un distribuidor de servicio autorizado para cerciorarse de que todos los sistemas mecánicos y de seguridad funcionan correctamente y no tienen excesivo desgaste. Si no lo hace, pueden producirse accidentes, lesiones o muerte

## No modifique el motor

Para evitar lesiones graves o la muerte, no modifique el motor bajo ninguna circunstancia. Si cambia la configuración del regulador el motor puede descontrolarse y operar a velocidades inseguras. Nunca cambie la configuración de fábrica del regulador del motor.

## Aviso referido a emisiones

Los motores que están certificados y cumplen con las regulaciones de emisiones federales EPA y de California para SORE (Equipos pequeños todo terreno) están certificados para operar con gasolina común sin plomo y pueden incluir los siguientes sistemas de control de emisiones: Modificación de motor (EM) y catalizador de tres vías (TWC) si están equipados de esa manera.

## Guardachispas












**¡ADVERTENCIA!** Esta máquina está equipada con un motor de combustión interna y no debe ser utilizada en o cerca de un terreno agreste cubierto por bosque, malezas o hierba excepto si el sistema de escape del motor está equipado con un amortiguador de chispas que cumpla con las leyes locales o estatales correspondientes, en caso de haberlas.

Si se utiliza un amortiguador de chispas el operador lo debe mantener en condiciones de uso adecuadas. En el Estado de California las medidas anteriormente mencionadas son exigidas por ley (Artículo 4442 del Código de Recursos Públicos de California). Es posible que existan leyes similares en otros estados. Las leyes federales se aplican en territorios federales.

Puede conseguir el amortiguador de chispas para el silenciador a través de su distribuidor autorizado de motores o poniéndose en contacto con el departamento de servicios, P.O. Box 361131 Cleveland, Ohio 44136-0019.

## Símbolos de Seguridad

Esta página describe los símbolos y figuras de seguridad internacionales que pueden aparecer en este producto. Lea el manual del operador para obtener la información terminada sobre seguridad, reunirse, operación y mantenimiento y reparación.

Símbolo	Descripción
	LEA EL MANUAL DEL OPERADOR (S) Lea, entienda, y siga todas las instrucciones en el manual (es) antes de intentar reunirse y funcionar.
	LA ADVERTENCIA — PLATOS ROTATORIOS Guarde manos de entrada y aperturas de la descarga mientras la máquina corre. Allí ellos hacen para girar platos dentro.
	LA ADVERTENCIA — LÁMINAS ROTATIVAS Guarde manos de entrada y aperturas de descarga mientras la máquina corre. Allí hacen girar láminas dentro.
	LA ADVERTENCIA — TALADRO ROTATIVO No ponga manos o pies cerca del giro de partes, en el alojamiento de taladro/aspas o asamblea de tolva. Contacto con las partes rotativas puede amputar manos y pies.
	OBJETOS LANZADOS POR ADVERTENCIA Esta máquina puede recoger y lanzar objetos que pueden causar la herida personal seria.
	GASOLINA DE ADVERTENCIA ES INFLAMABLE Permita que el motor se enfríe al menos dos minutos antes del reabastecimiento de combustible.
	ADVERTENCIA — MONÓXIDO DE CARBONO Nunca dirijas un motor dentro o en un área mal ventilada. Los gases de combustión de motor contienen el monóxido de carbono, un gas inodoro y mortal.
	ADVERTENCIA — ELECTROCHOQUE No use el juez de salida eléctrico del motor en la lluvia.
	ADVERTENCIA — SUPERFICIE CALIENTE Las partes del motor, especialmente el silenciador, llega a ser muy caliente durante la operación. Permita motor y silenciador para ponerse frío antes de tocar.



**¡ADVERTENCIA!** Su para Restringir responsabilidad el uso de esta máquina de poder a personas que leyeron, entienda y siga las advertencias e instrucciones en este manual y en la máquina.

**¡SALVE ÉSTOS INSTRUCCIONES!**

## Contenido de la caja

- Una máquina quitanieve
- Un Manual del Operador de la Máquina Quitanieve
- Un Manual del Motor
- Dos pasadores de cuchilla de barrena de repuesto
- Varilla hexagonal (Modelos 2620 and 2840)
- Una tarjeta para registrar el producto
- Canal de montaje

## Montaje

### Manija

1. Coloque la palanca de cambios en la posición de avance (F) 6.
2. Observe el área inferior trasera de la máquina quitanieve para asegurarse de que ambos cables estén alineados con las guías rotatorias antes de girar la manija hacia arriba. Vea la Figura 3-1.

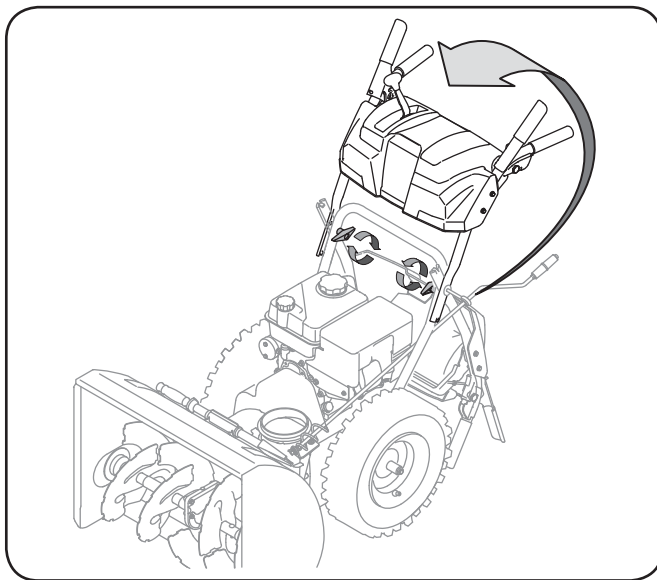


Figura 3-1

**NOTA:** Asegúrese de que los extremos superiores de cada cable estén correctamente asentados en su soporte. Vea la Figura 3-2.

3. Asegure la manija ajustando la perilla de plástico situada en los lados izquierdo y derecho de dicha manija. Retire y descarte todas las bandas elásticas, si las hubiera. Únicamente se utilizan para el empaque.

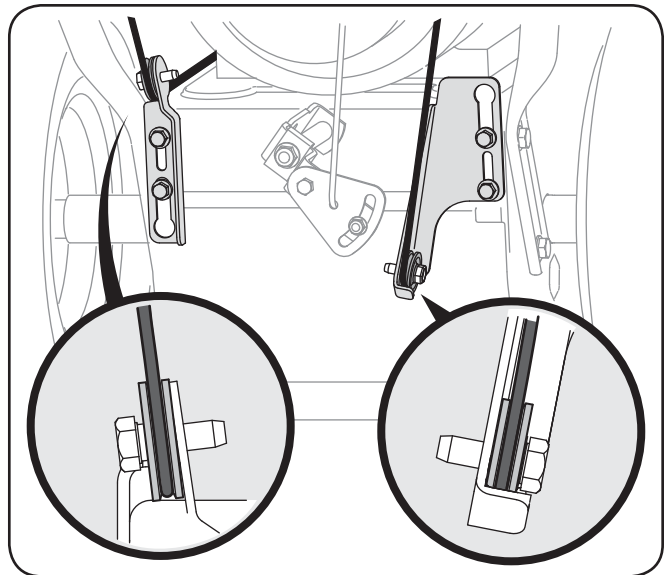


Figura 3-2

### Montaje del Canal (Modelo 2410)

1. Colocar el montaje del canal inclinado sobre la base. Vea la Figura 3-3.

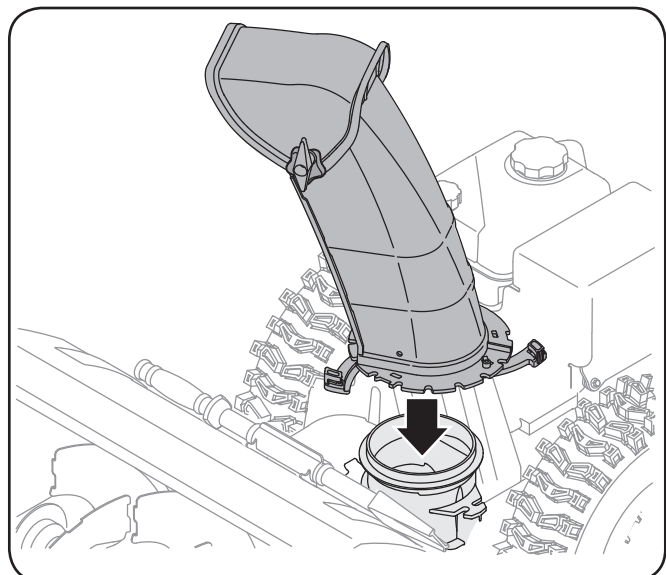


Figura 3-3

2. Cierre a los guardas de reborde para asegurar la asamblea de tobogán a la base del tobogán. Los guardas de reborde harán clic en el lugar cuando aseguran apropiadamente. Vea la Figura 3-4.

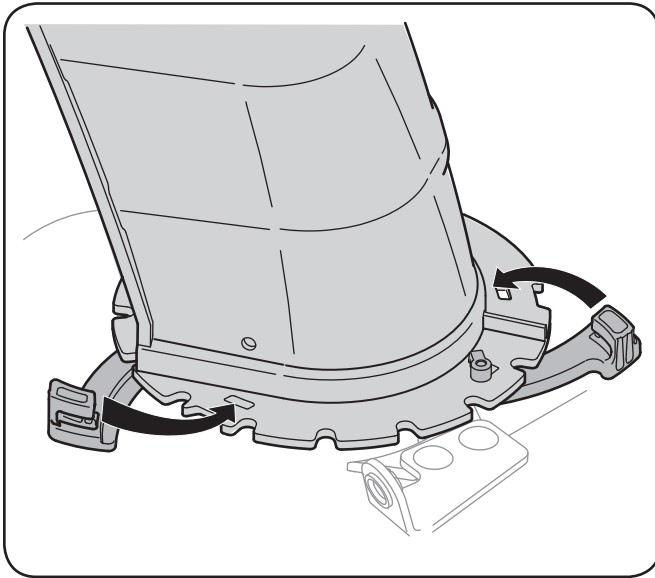


Figura 3-4

**NOTA:** Si los guardas de reborde no harán clic fácilmente en el lugar, utilicen la palma de la mano para aplicar la presión rápida y firme a la espalda de cada.

### Control Direccional del Canal (Modelo 2410)

1. Quite la tapa plástica (si presente), arandela y horquilla planas sujetan del fin del tobogán el control direccional. Vea la Figura 3-5.

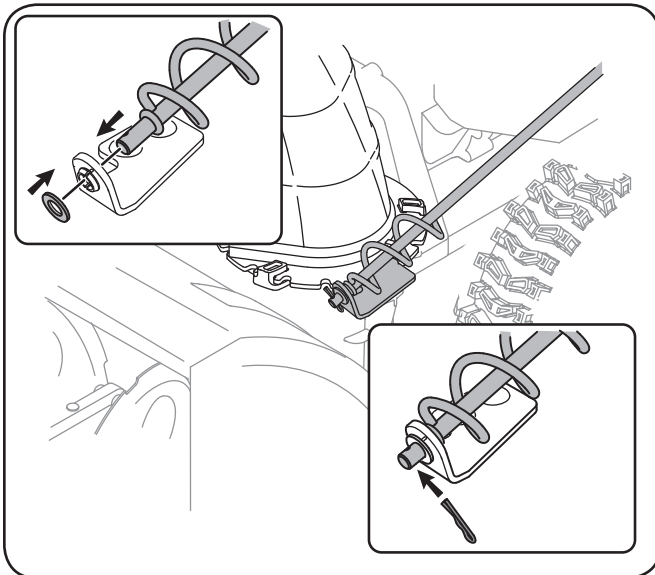


Figura 3-5

2. Insertar el final del control direccional del canal inclinado en el soporte más bajo y asegurarlo con el clip plano de la arandela y de la horquilla apenas quitado. En caso de necesidad, el soporte más bajo puede ser ajustado. Referir al ajuste del soporte del canal inclinado en la página 47.

### Montaje del canal (Modelos 2620 and 2840)

1. Retire el pasador de chaveta, la tuerca de mariposa y el tornillo hexagonal del cabezal de control del canal, y el pasador de horquilla y el pasador de chaveta con unión curva de la ménsula de soporte del canal. Vea la Figura 3-6.

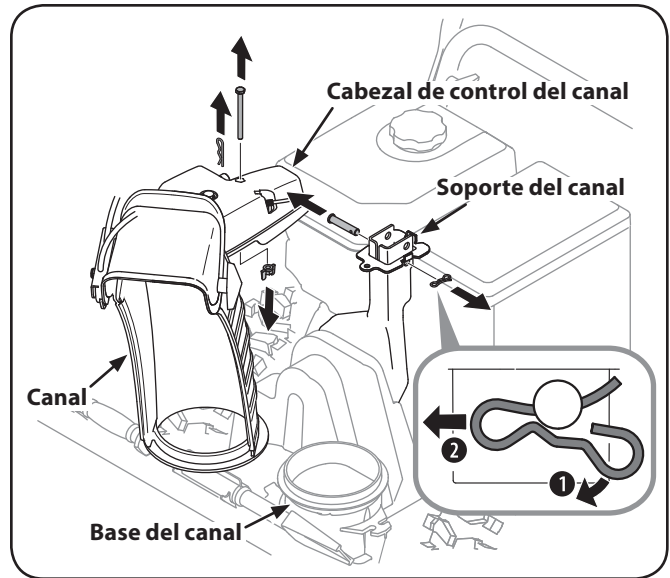


Figura 3-6

2. Inserte la varilla hexagonal dentro del cabezal de control del canal. Empuje la varilla tan lejos dentro del cabezal de control del canal como sea posible, manteniendo el orificio en la varilla hexagonal señalando hacia arriba. Vea la Figura 3-7.

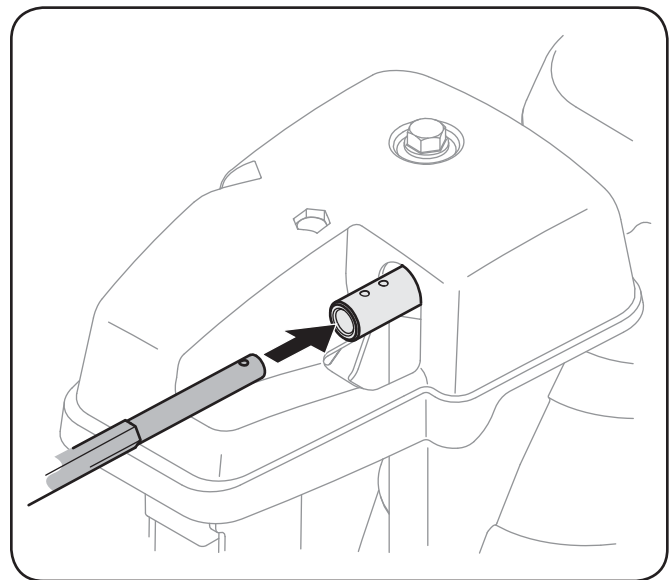
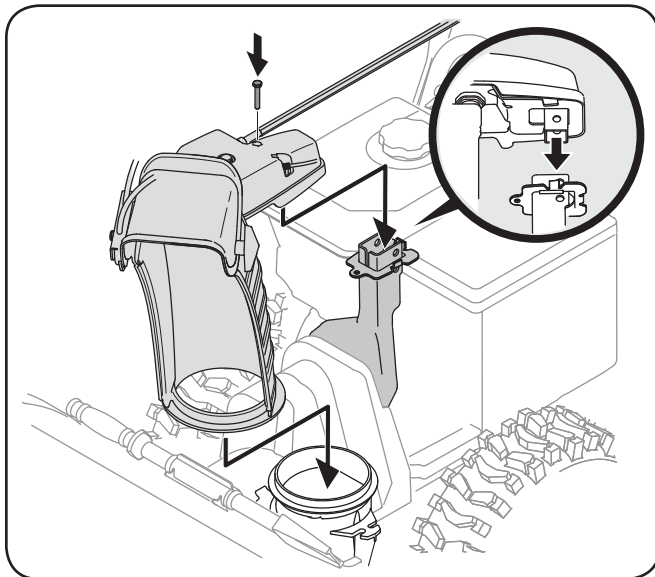


Figura 3-7

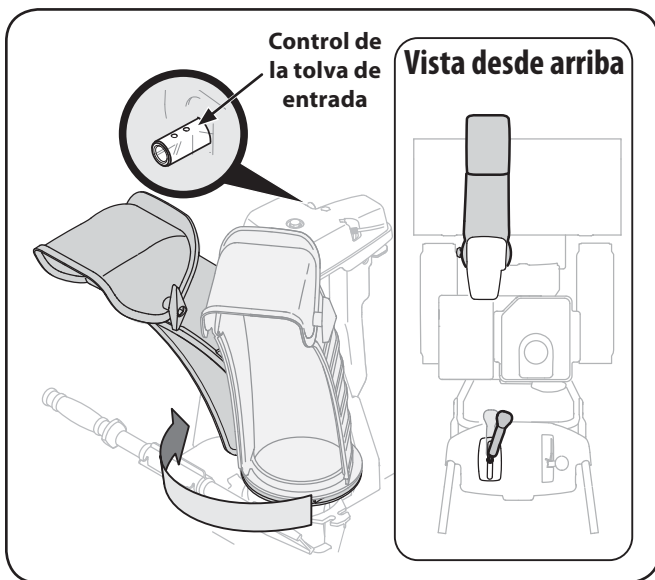
3. Lugar en la tolva de base y garantizar la varilla hexagonal está situado bajo el asa del panel. Instalar el perno hexagonal previamente eliminado, pero no seguro con tuerca de mariposa en este momento. Vea la Figura 3-8.



**Figura 3-8**

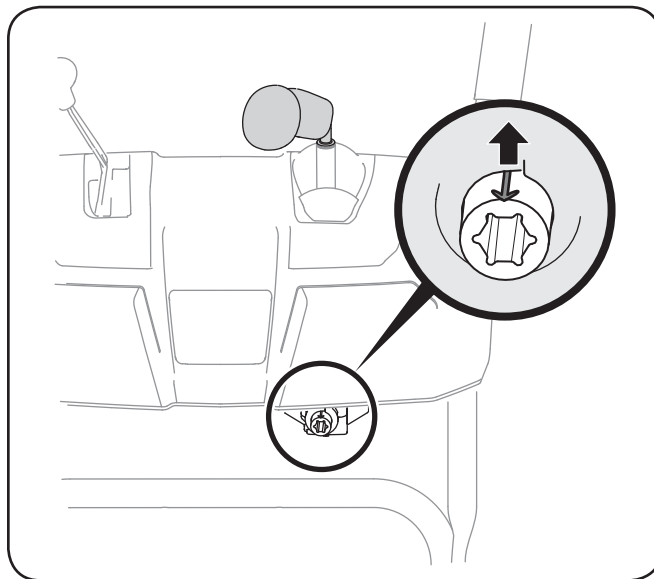
4. Apriete el disparador en la palanca de control y gire el canal manualmente para que mire hacia delante. Los orificios en el cabezal de control del canal estarán mirando hacia arriba. Vea la Figura 3-9.

**Nota:** El canal no girará sin que se haya apretado el disparador en la palanca de control.



**Figura 3-9**

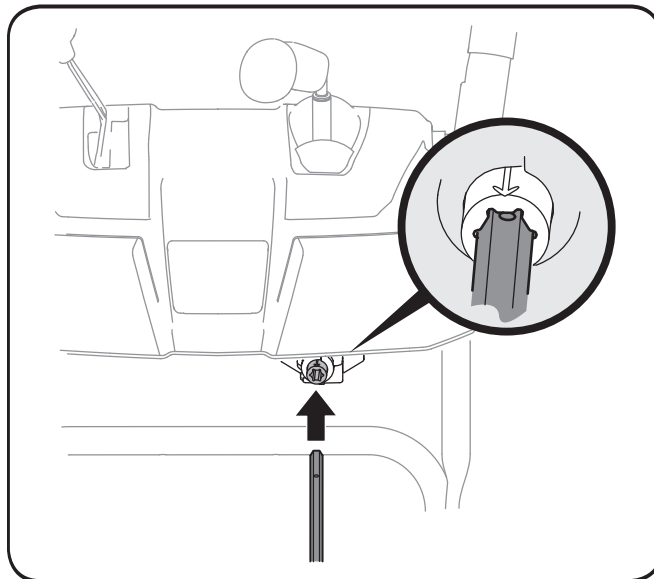
5. Gire la palanca de control hasta que la flecha indicadora plateada en el engranaje del piñón por debajo del panel de control señale hacia arriba. Vea la Figura 3-10.



**Figura 3-10**

**Nota:** La palanca de control girará ligeramente hacia la derecha. Vea "Vista desde arriba" en la Figura 3-9.

6. Inserte la varilla hexagonal dentro del engranaje del piñón por debajo de la palanca de control. Asegúrese de alinear el orificio en la varilla hexagonal con la flecha en el engranaje del piñón. Vea la Figura 3-11.

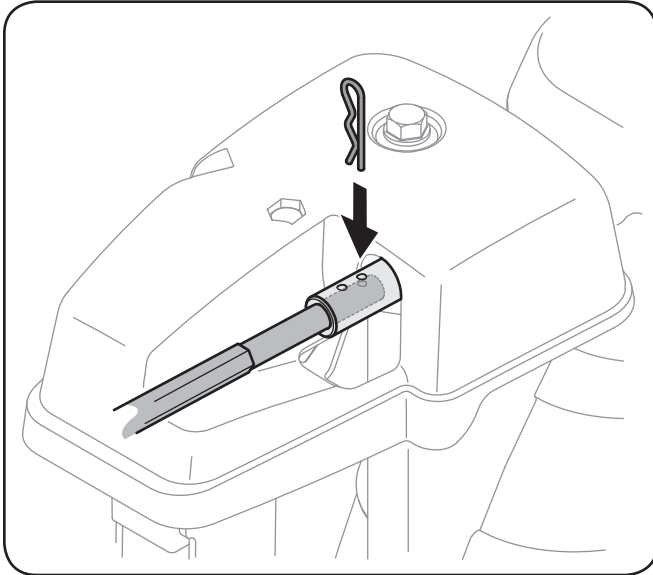


**Figura 3-11**

**Nota:** La barra hexagonal se ajusten perfectamente en el engranaje del piñón. Apoyo a la parte trasera del panel de instrumentos con una mano mientras inserta la varilla hexagonal con la otra mano para asegurar la barra hexagonal se inserta completamente en el piñón.

**Nota:** El orificio es una referencia para alinear la varilla con la flecha indicadora en el engranaje del piñón.

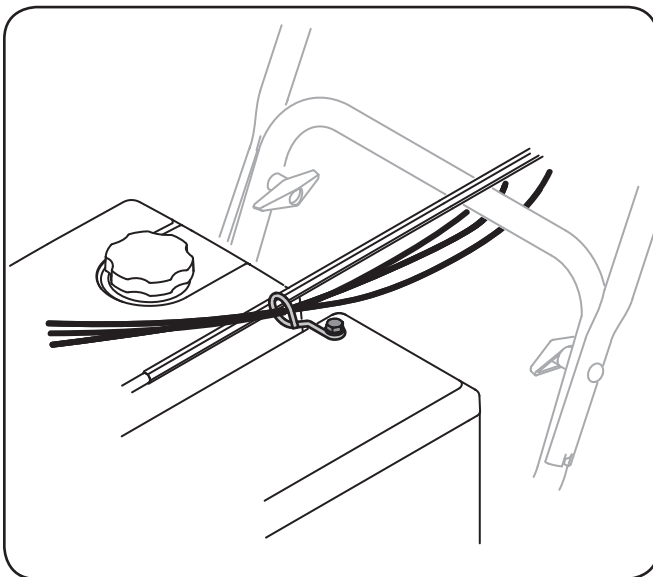
- Empuje la varilla hacia el panel de control hasta que el orificio en la varilla hexagonal se alinee con el orificio en la entrada de control del canal lo más cerca posible del cabezal de control del canal e inserte el pasador de chaveta. Vea la Figura 3-12.



**Figura 3-12**

**Nota:** El segundo orificio puede utilizarse más tarde para realizar ajustes si el canal no gira totalmente. Vea la página 47 para lo referente a Ajustes de la Varilla de Control del Canal.

- Finalizar asegurar el control de la cabeza a la tolva tolva de soporte con tuerca de mariposa, horquilla alfiler, y arco-tie Cotter pines eliminado en el paso 1. Vea la Figura 3-3.
- Controle que todos los cables estén adecuadamente dirigidos a través de la guía de cables de la parte superior del motor. Algunos modelos tienen sólo un cable para dirigir por la guía de cable. Vea la Figura 3-13.



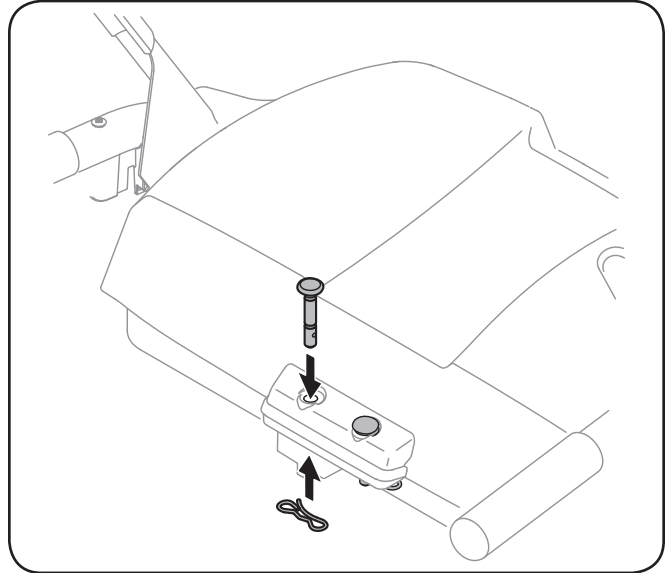
**Figura 3-13**

**Nota:** Para más suave funcionamiento, los cables deben estar a la izquierda de la varilla hexagonal.

## Configuración

### Pasadores de cuchilla

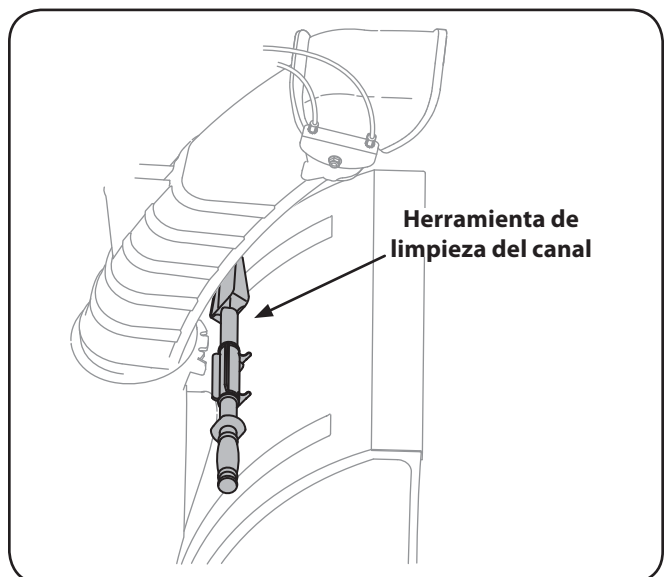
Su máquina quitanieve trae un par de pasadores de cuchilla de la barrena y pasadores de chaveta con unión curva de reemplazo. Guárdelos en el panel de instrumentos de la máquina hasta que los necesite. Vea la Figura 3-14.



**Figura 3-14**

### Herramienta de limpieza del canal

La herramienta de limpieza del canal y cable de arranque eléctrico viene de fábrica ajustada a la parte superior de la caja de la barrena con un pasador de ensamblado y una unión de cable. Corte la unión de cable antes de operar la máquina quitanieve. Vea la Figura 3-15.



**Figura 3-15**

## Presión de los neumáticos



**ADVERTENCIA:** Bajo ninguna circunstancia no excedan del fabricante recomienda psi. La igualdad de la presión de los neumáticos deben mantenerse en todo momento. Cuando la presión excesiva puede causar asientos bolas neumático / llanta de montaje para reventar con la fuerza suficiente para causar un daño grave. Se refieren a los flancos de los neumáticos de la presión recomendada.

Los neumáticos son demasiado inflados para propósitos de envío. Revise la presión de los neumáticos antes de la nieve lanzador. Se refieren a la pared lateral del neumático para el fabricante de neumáticos recomendado psi y desinflar (o inflar) los neumáticos, según sea necesario.

**Nota:** La igualdad de la presión de los neumáticos debe ser mantenida en todo momento para los efectos de la performance.

## Ajustes

### Zapatas antideslizantes

Las zapatillas antideslizantes de la máquina quitanieve se ajustan para arriba en fábrica para el envío. Si lo desea, puede ajustarlas hacia abajo antes de hacer funcionar la máquina quitanieve.



**PRECAUCIÓN:** Se recomienda no operar esta máquina quitanieve sobre grava ya que puede recoger y lanzar grava suelta fácilmente, causando lesiones personales o daños a la máquina y los objetos que la rodean.

- Si desea quitar nieve al ras del suelo, eleve más las zapatillas antideslizantes en la caja de la barrena.
- Use las posiciones media o baja cuando la superficie que desea limpiar es despareja, tal como un camino de grava.

**NOTA:** Si tiene que usar la máquina quitanieve sobre grava, mantenga las zapatillas antideslizantes en la posición más elevada para lograr una separación máxima entre el piso y la placa de raspado.

Para ajustar las zapatillas antideslizantes:

1. Afloje las cuatro tuercas hexagonales (dos en cada lado) y los pernos del carro. Mueva las zapatillas antideslizantes a la posición deseada. Vea la Figura 3-16.

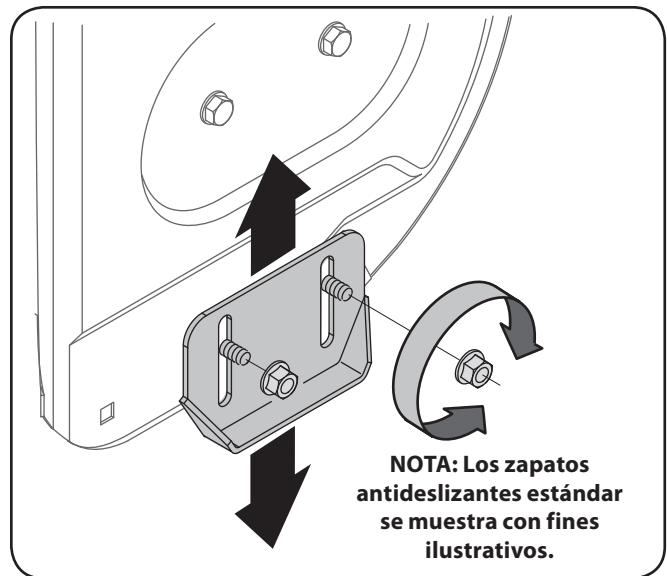


Figura 3-16

2. Compruebe que toda la superficie inferior de las zapatillas antideslizantes esté contra el suelo para evitar el desgaste desparejo de las mismas.
3. Vuelva a ajustar bien las tuercas y los pernos.

### Asamblea del canal (Modelos 2410 & 2620)

**NOTA:** La asamblea del canal en el modelo 2840 es controlada por la 4-forma direccional del canal de control. Vea la Figura 4-1.

Se lanza la nieve de la distancia puede ser ajustada cambiando el ángulo del montaje del canal. Para hacer tan:

1. Parar el motor quitando la llave de ignición. Aflojar la perilla plástica encontrada en el lado izquierdo del montaje del canal inclinado.
2. Girar el canal inclinado hacia arriba o hacia abajo antes de volver a apretar la perilla del ala. Vea la Figura 3-17.

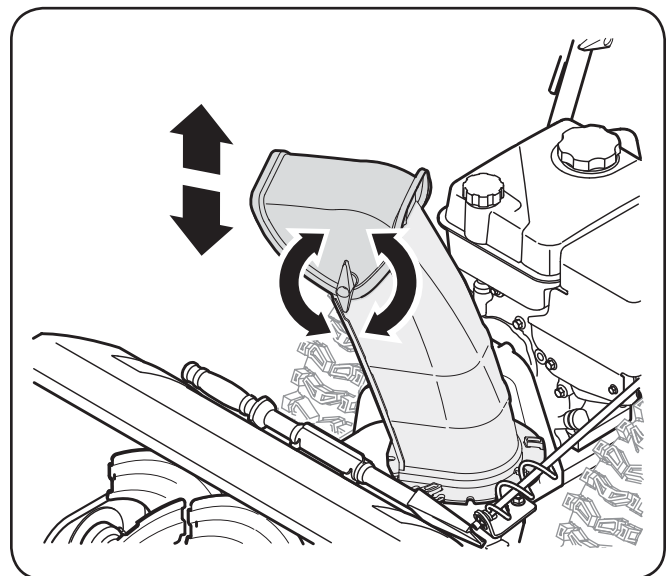


Figura 3-17

3. Inserte la llave en el motor del motor y arranque. Consulte el manual del operador del motor.

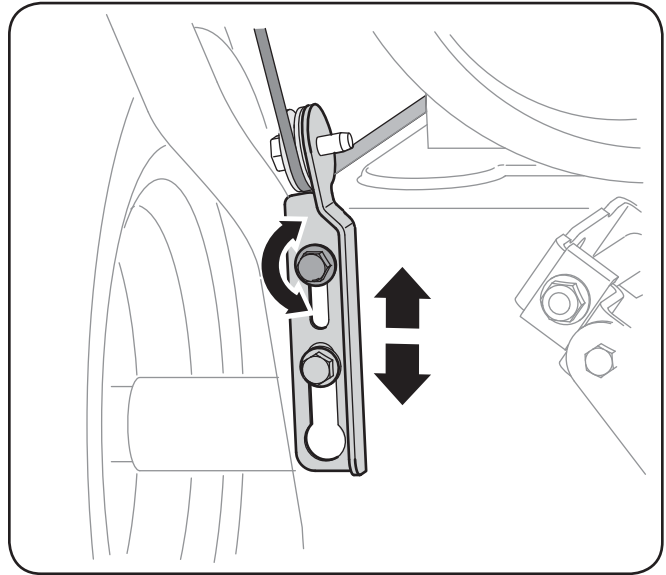
### Control de la barrena



**¡ADVERTENCIA!** Antes de operar su máquina quitanieve, lea atentamente y cumpla todas las instrucciones que aparecen a continuación. Realice todos los ajustes para verificar que la máquina está operando con seguridad y correctamente.

Consulte la sección Controles y Características para la ubicación del control de la barrena y comprobar el ajuste de la siguiente manera:

1. Cuando se suelta el control de la barrena y está en posición desengranada arriba, el cable debe tener muy poco juego. NO debe estar tenso.
2. En un área bien ventilada, arranque el motor de la máquina quitanieve. Consulte la sección Encendido del motor en el manual de motor.
3. Asegúrese de que el regulador se encuentra en la posición FAST (rápida). Parado en la posición del operador (detrás de la máquina quitanieve), engrane la barrena.
4. Deje la barrena engranada durante aproximadamente diez (10) segundos antes de soltar el control de la barrena. Repita esta operación varias veces.
5. Con el control del regulador en la posición FAST (dibujo de un conejo), y la barrena en posición desengranada arriba, camine al frente de la máquina.
6. Confirme que la barrena ha dejado de girar por completo y no muestra NINGÚN signo de movimiento. Si la barrena muestra CUALQUIER signo de rotación, vuelva inmediatamente a la posición del operador y apague el motor. Espere a que TODAS las partes móviles se detengan antes de volver a ajustar el control de la barrena.
7. Para volver a ajustar el cable de control, afloje la tuerca hexagonal superior en la ménsula del cable de la barrena. Vea la Figura 3-18.
8. Coloque el soporte hacia arriba para dar más juego (o hacia abajo para aumentar la tensión del cable).
9. Vuelva a apretar la tuerca hexagonal superior.
10. Repita los pasos 2-6 anteriores para verificar que se ha logrado el ajuste adecuado.



**Figura 3-18**



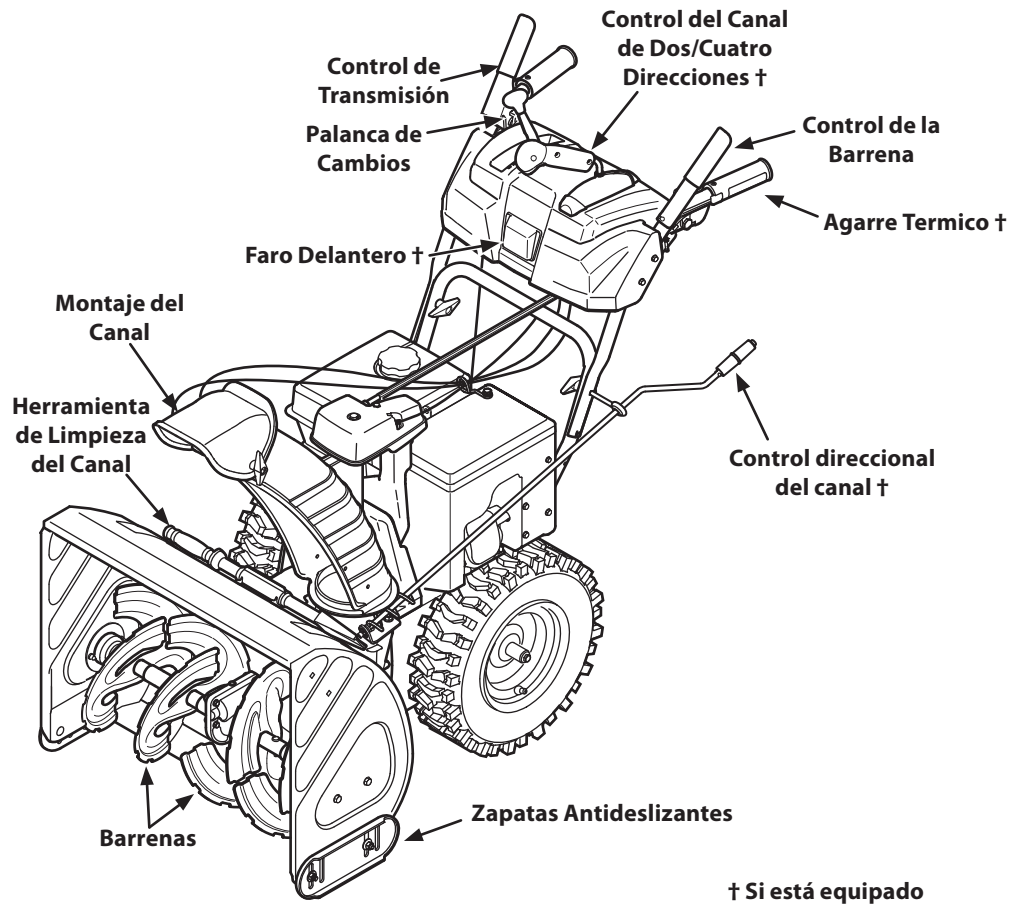


Figura 4-1

Los controles y características de la máquina quitanieve se describen a continuación y se ilustran en la Figura 4-1.

## Palanca de cambios

La palanca de cambios está ubicada del lado derecho del panel de la manija y se utiliza para determinar la velocidad de tierra y la dirección de desplazamiento.

### Marcha directa

Hay seis posiciones de avance (F). La posición uno (1) es la más lenta y la posición seis (6) es la más rápida.

### Marcha atrás

Hay dos velocidades de retroceso (R). La uno (1) es la más lenta, y la dos (2) es la más rápida.

- 6
- 5
- 4
- 3
- 2
- ↑
- F 1
- R 1
- R 2

## Zapatillas antideslizantes

Ubique las zapatas antideslizantes en función de las condiciones de la superficie. Ajuste hacia arriba si la nieve está muy compactada. Ajústelas hacia abajo si usa la máquina en gravas o superficies con piedras trituradas.

## Barrenas

Cuando están engranadas, las barrenas giran y retiran la nieve al interior de la caja de la barrena.

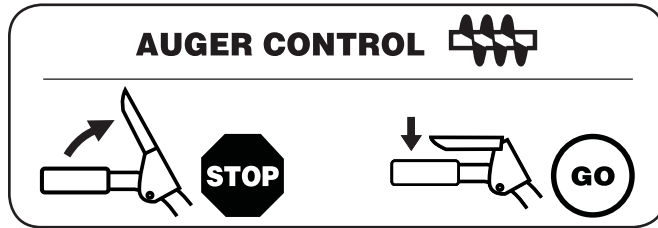
## Montaje del canal

La nieve retirada al interior de la caja de la barrena se descarga en el montaje del canal.

## Faro delantero (Si está equipado)

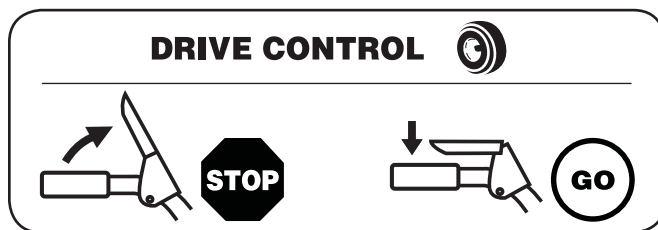
El faro delantero se enciende siempre que el motor está en marcha.

## Control de la barrena



El control de la barrena está ubicado en la manija izquierda. Apriete la empuñadura de control contra la manija para engranar las barrenas y empiece a quitar nieve. Suelte para que se detenga.

## Control de transmisión / Traba del embrague de la barrena (si está equipado)



El control de transmisión está ubicado en la manija derecha. Oprima la empuñadura de control contra la manija para engranar la rueda de transmisión. Suelte para que se detenga.

El control de la transmisión también bloquea el control de la barrena de manera que puede operar el control direccional del canal sin interrumpir el proceso de quitar la nieve. Si el control de la barrena se engrana simultáneamente con el control de transmisión, el operador puede soltar el control de la barrena (en la manija izquierda) y las barrenas continuarán engranadas. Suelte ambos controles para detener tanto las barrenas como la transmisión de las ruedas.

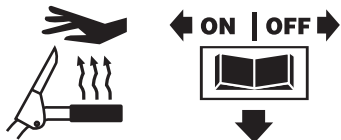
**NOTA:** Suelte siempre el control de la transmisión antes de cambiar de velocidad. De no proceder así, aumentará el desgaste del sistema de transmisión de su máquina.

## Agarre térmico (Si está equipado)



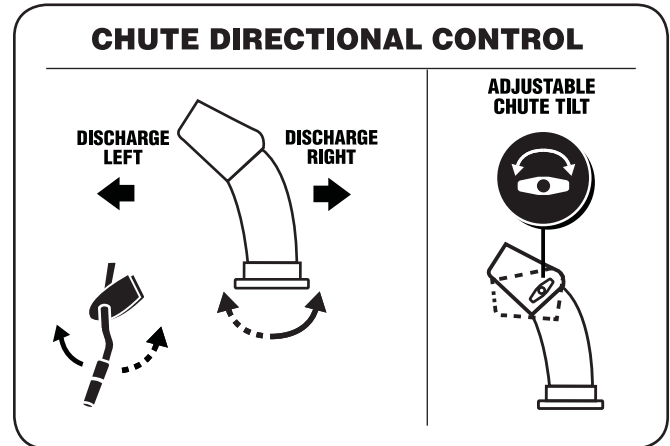
**CAUCIÓN:** Se recomienda que usted usa guantes al usar el apretón heated. Si el apretón heated llega a ser demasiado caliente, apáguelo.

### HEATED HANDLE GRIPS



Para activar los agarres térmicos, mueva el interruptor que se encuentra en la parte posterior del panel de instrumentos a la posición ON (conectado). Para desactivar los puños calefactables, mueva el interruptor que se encuentran en la parte trasera del panel de instrumentos en la posición OFF.

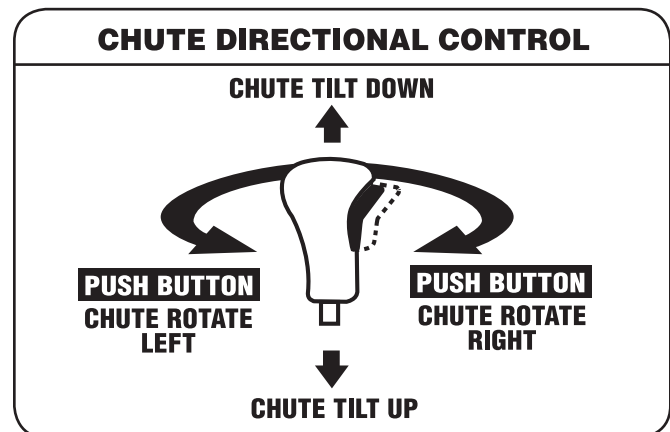
## Control Direccional del Canal (Si está equipado)



El control direccional del canal está situado sobre el lado izquierdo del lanzador de la nieve. Para cambiar la dirección en la cual se lanza la nieve, dar vuelta al control direccional del canal inclinado como sigue:

- Manivela a la derecha a descargar a la izquierda.
- Manivela a la izquierda a descargar a la derecha.

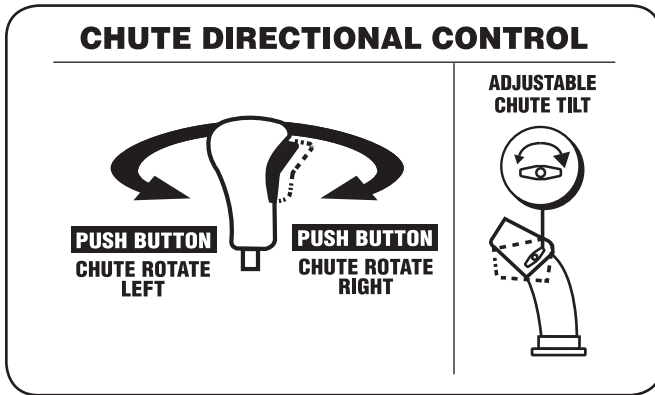
## Control del canal de cuatro direcciones (Si está equipado)



El control direccional del canal está ubicado del lado izquierdo del panel de instrumentos.

- Para cambiar la dirección en que se quita la nieve, apriete el botón de la palanca de mando y gire la palanca a derecha o izquierda.
- Para cambiar el ángulo/distancia a que se quita la nieve, gire la palanca de mando hacia adelante o atrás.

## Control del canal de dos direcciones (Si está equipado)



El control del canal de dos direcciones está ubicado del lado izquierdo del panel de instrumentos y se lo utiliza para controlar la distancia de descarga de la nieve desde el canal.

- Para cambiar el ángulo del canal superior a los efectos de controlar la distancia a la cual se arroja la nieve, gire la palanca hacia adelante o hacia atrás.

## Herramienta de limpieza del canal



**¡ADVERTENCIA!** Nunca use las manos para liberar un montaje de canal tapado. Antes de destaparlo, apague el motor y permanezca detrás de las manijas hasta que todas las partes móviles se hayan detenido.

La herramienta de limpieza del canal está ajustada convenientemente a la parte posterior de la caja de la barrena con un pasador de ensamblado. Si se acumulan nieve y hielo en el canal de descarga durante la operación, proceda como se indica a continuación para limpiar de manera segura el montaje del canal y la abertura del canal:

1. Suelte el control de la barrena y el control de la transmisión.
2. Para detener el motor saque la llave .
3. Saque la herramienta de limpieza del pasador que la ajusta a la parte posterior de la caja de la barrena.
4. Use el extremo con forma de pala de la herramienta de limpieza para desplazar y recoger la nieve y el hielo que se formaron cerca del conjunto del canal.
5. Vuelva a ajustar la herramienta de limpieza al pasador de ensamblado ubicado en la parte posterior de la caja de la barrena, inserte de nuevo la llave y encienda el motor de la máquina quitanieve.

Parado en la posición del operador (detrás de la máquina quitanieve), engrane el control de la barrena durante unos segundos para eliminar la nieve o el hielo que hayan quedado en el conjunto del canal.

## Encendido del Motor y Detención del Motor

Consulte el Mantenimiento del Motor para motores embalado con la máquina para ver el Encendido del Motor y Detención del motor.

## Procedimiento para Engranar la Transmisión

1. Con el control del regulador en posición rápida (dibujo de un conejo), mueva la palanca de cambios a una de las seis posiciones de avance (F) o de las dos posiciones de reversa (R). Seleccione la velocidad adecuada para el estado de la nieve existente y una velocidad con la que se sienta cómodo.
2. Apriete el control de la transmisión contra la manija y la máquina quitanieve se moverá. Suéltelo y se detendrá el movimiento de la transmisión.

## Procedimiento para Engranar las Barrenas

Para engranar las barrenas y comenzar a quitar la nieve, apriete el control de la barrena contra la manija izquierda. Suelte para detener las barrenas.

## Agarre térmico (Si está equipado)



**CAUCIÓN:** Se recomienda que usted usa guantes al usar el apretón heated. Si el apretón heated llega a ser demasiado caliente, apáguelo.

Para activar los agarres térmicos, mueva el interruptor que se encuentra en la parte posterior del panel de instrumentos a la posición ON (conectado). Vea la Figura 5-1.

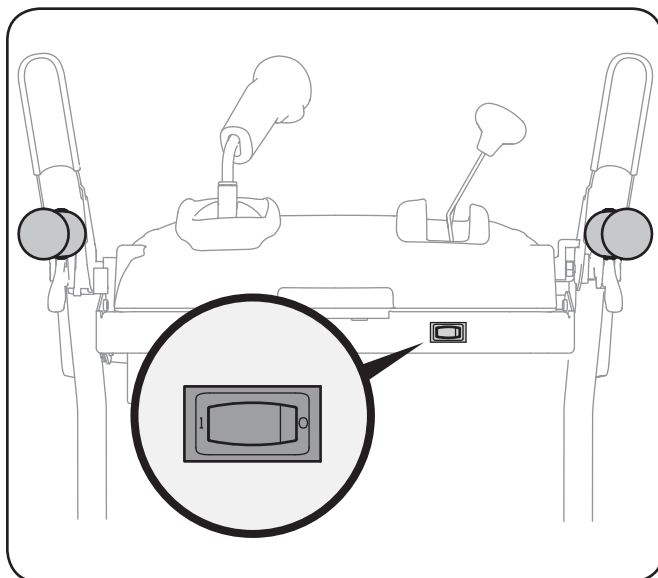


Figura 5-1

## Reemplazo de los Pasadores de Cuchilla

Las barrenas están ajustadas al eje espiral con dos pasadores de cuchilla y pasadores de chaveta. Si la barrena golpea un objeto extraño o un trozo de hielo, la máquina quitanieve ha sido diseñada para que los pasadores se quiebren. Si las barrenas no giran, verifique si los pasadores se han quebrado. Vea la Figura 5-2.



**PRECAUCIÓN:** NUNCA cambie los pasadores de cuchilla de las barrenas por otra cosa que los pasadores de cuchilla de repuesto del fabricante del equipo original, N° de pieza 738-04124A. Cualquier daño que sufra el engranaje de la barrena o cualquier otro componente por dejar de hacerlo lo anterior, NO estará cubierto por la garantía de su máquina quitanieve.



**¡ADVERTENCIA!** Siempre debe apagar el motor de la máquina quitanieve y retirar la llave antes de cambiar los pasadores de cuchilla.

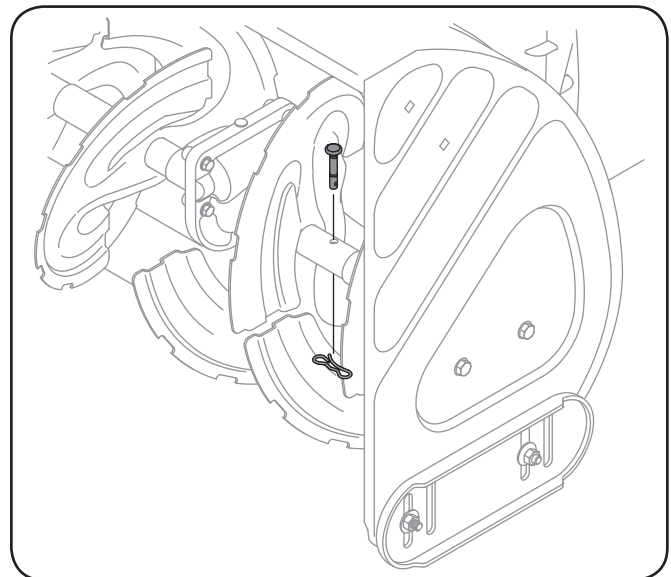


Figura 5-2

## Mantenimiento

### Motor

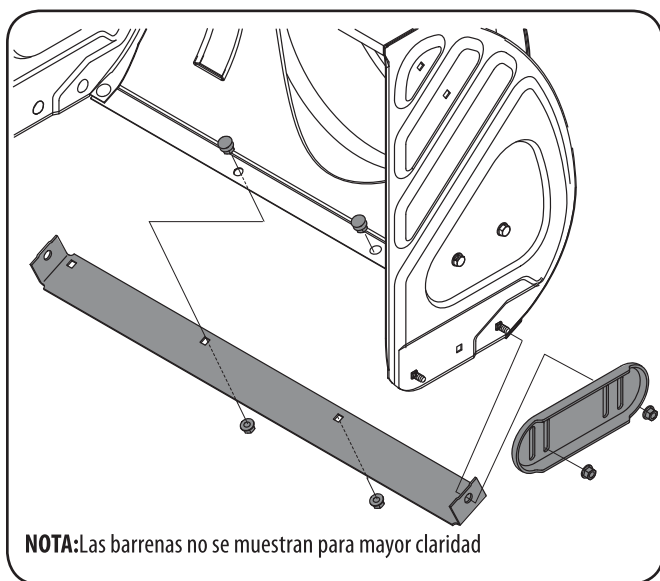
Consulte el Mantenimiento del Motor para motores embalado con la máquina para ver el mantenimiento del motor.

### Placa de raspado y zapatas antideslizantes

La placa de raspado y las zapatas antideslizantes ubicadas en la base de la máquina quitanieve están sujetas a desgaste. Periódicamente debería controlar los pernos y reemplazarlos cuando sea necesario.

Para retirar las zapatas antideslizantes:

1. Quite los cuatro pernos del carro y las tuercas de brida hexagonales que las aseguran a la máquina quitanieve.
2. Monte las nuevas zapatas antideslizantes con cuatros pernos de carro (dos en cada lado) y las tuercas de brida hexagonales. Consulte la Figura 6-1.



**Figura 6-1**

Para retirar la placa de raspado:

1. Quite los pernos de carro y las tuercas hexagonales que la sujetan a la caja de la máquina quitanieve.
2. Monte la placa de raspado nueva, asegurándose de que las cabezas de los pernos de carro se encuentren del lado interior de la caja. Ajuste bien.

### Presión de los neumáticos

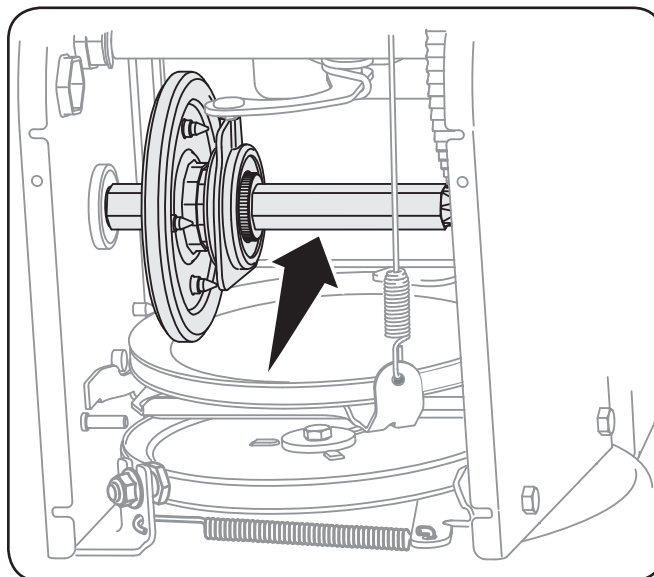
Consulte la página 39 para obtener información acerca de la presión de los neumáticos.

## Lubricación

### Eje de engranaje

El eje de engranaje (hexagonal) se debe lubricar al menos una vez por temporada o tras cada 25 horas de operación.

1. Deje que el motor funcione hasta que se acabe el combustible.
2. Gire con cuidado la máquina quitanieve hacia arriba y hacia delante de manera que quede apoyada sobre la caja de la barrena.
3. Saque la cubierta del marco desde debajo de la máquina quitanieve retirando los cuatro tornillos autorroscantes que la aseguran. Consulte la Figura 7-3 en la sección de Servicio.
4. Aplique una capa ligera de aceite de motor (ó aceite tres-en-uno) al eje hexagonal. Vea la Figura 6-2.



**Figura 6-2**

**NOTA:** Al lubricar el eje hexagonal, cuide que el aceite no llegue a la placa de transmisión de aluminio o la rueda de fricción de caucho. Si eso ocurre el sistema de transmisión de la máquina quitanieve se verá comprometido. Limpie cualquier excedente o aceite derramado.

### Ruedas

Retire ambas ruedas al menos una vez cada temporada. Limpie y recubra los ejes con una grasa para automotores multiuso antes de volver a colocar las ruedas.

### Control direccional del canal (Modelo 2410)

Lubrique el manguito del perno de ojo y la espiral con aceite 3-en-1 una vez por temporada.

## Eje de la barrena

Al menos una vez por temporada, quite los pasadores de cuchilla del eje de la barrena. Rocíe lubricante en el interior del eje y alrededor de los separadores y los cojinetes bridados que se encuentran en ambos extremos del eje. Vea la Figura 6-3.

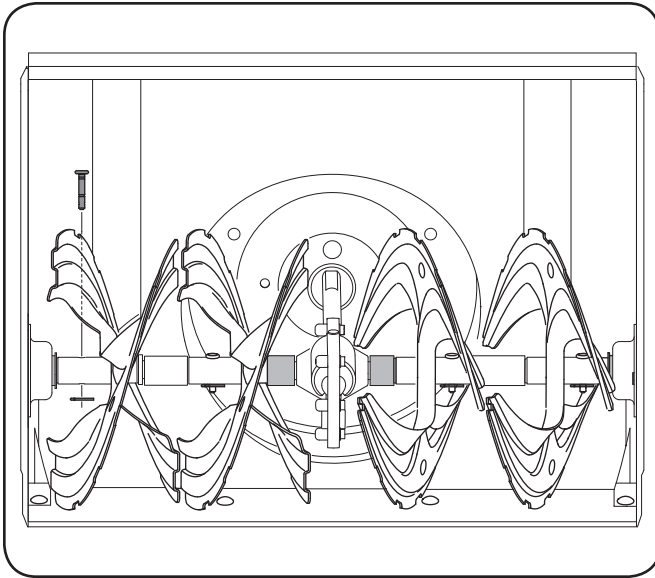


Figura 6-3

## Ajustes

### Cable de cambios

Si no se puede lograr toda la gama de velocidades (avance y retroceso), consulte las figuras de la derecha y ajuste el cable de cambios de la siguiente forma:

1. Coloque la palanca de cambios en la posición más rápida de avance.
2. Afloje la tuerca hexagonal del soporte de posicionamiento del cable de cambios. Vea la Figura 6-4.

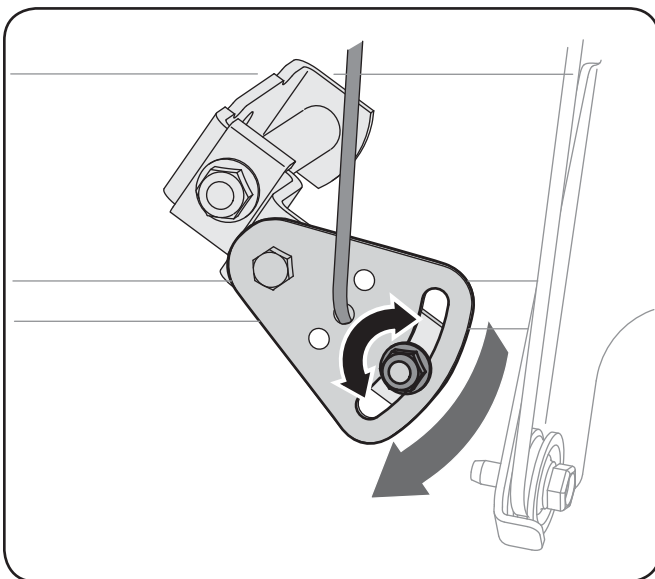


Figura 6-4

3. Gire el soporte hacia abajo para reducir el juego del cable.
4. Vuelva a apretar la tuerca hexagonal.

### Control de la transmisión

Cuando se suelta el control de la transmisión y está en posición desenganchada arriba, el cable debe tener muy poco juego. NO debe estar tenso.

**NOTA:** Si el cable de transmisión tiene demasiado juego o si la transmisión de la máquina quitanieve se desengrana intermitentemente durante la operación, es posible que deba ajustar el cable.

Compruebe el ajuste del control de la transmisión de la siguiente forma:

1. Cuando suelte el control de la transmisión, empuje suavemente la máquina quitanieve hacia delante. La unidad debería avanzar libremente.
2. Enganche el control de la transmisión e intente empujar suavemente la máquina quitanieve hacia adelante. Las ruedas no deben girar. La unidad no debe avanzar libremente.
3. Con el control de la transmisión suelto, mueva la palanca de cambios hacia atrás y hacia delante entre la posición R2 y la posición F6 varias veces. No debería haber resistencia en la palanca de cambios.

Si falla cualquiera de las pruebas anteriores, es necesario ajustar el cable de la transmisión. Proceda de la siguiente manera:

1. Apague el motor como se indica en el manual del motor por separado.
2. Afloje la tuerca hexagonal inferior del soporte del cable de la transmisión. Vea la Figura 6-5.

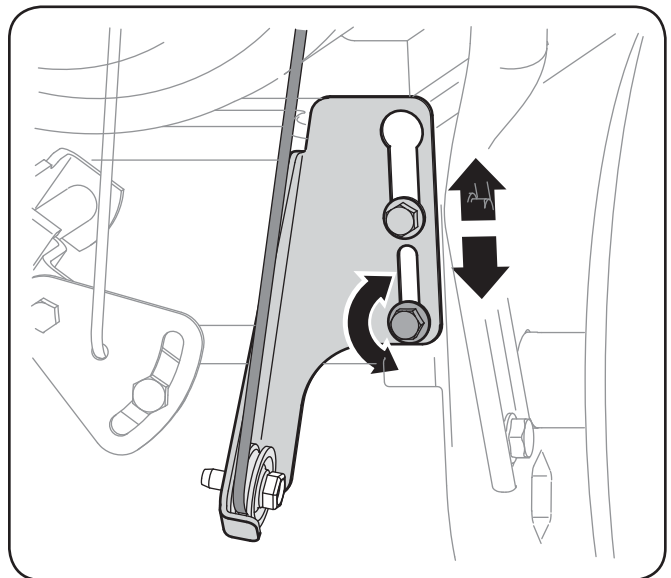


Figura 6-5

3. Ubique la ménsula hacia arriba para brindar más juego (o hacia abajo para aumentar la tensión del cable).
4. Vuelva a apretar la tuerca hexagonal superior.
5. Compruebe el ajuste del mando de la unidad como se describe anteriormente para comprobar el ajuste correcto se ha logrado.

## Control de la barrena

Consulte la sección Montaje y Configuración para ver las instrucciones del ajuste del cable de control de la barrena.

## Montaje del canal

Consulte la sección Montaje y Configuración para ver las instrucciones del ajuste del ensamblado del canal de las zapatas antideslizantes.

## Zapatas antideslizantes

Consulte la sección Montaje y Configuración para ver las instrucciones del ajuste de las zapatas antideslizantes.

## Varilla de control del canal (Modelos 2620 y 2840)

Para ajustar la varilla de control del canal proceda de la siguiente manera:

1. Retire el pasador de chaveta del orificio más cercano al conjunto del canal sobre el montaje de rotación del canal.
2. Retire la varilla de control del canal hasta que el orificio de la misma se alinee con el segundo orificio en el montaje de rotación del canal. Vea la Figura 6-6.

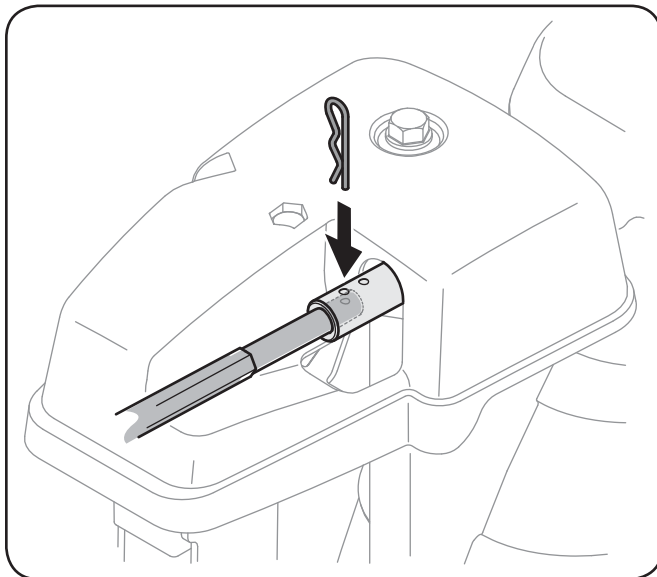


Figura 6-6

3. Vuelva a insertar el pasador de chaveta a través de este orificio y la varilla de control del canal. Vea la Figura 6-6.

## Ajuste del soporte del canal (Si está equipado)

Si el espiral en el fondo del control direccional del canal no está enganchando completamente con el montaje del canal, el soporte del canal puede ser ajustado. Para hacer tan:

1. Aflojar las dos tuercas que aseguran el soporte del canal y lo colocan de nuevo levemente. Vea la Figura 6-7.

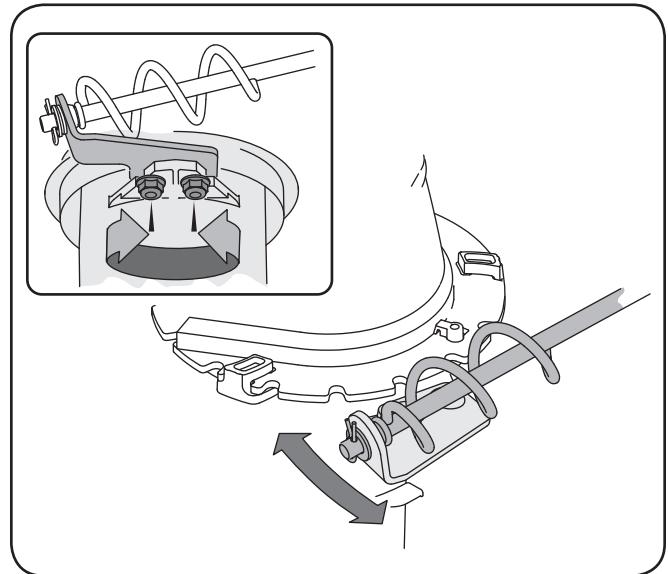


Figura 6-7

2. Volver a apretar las tuercas.

## Preparación de la máquina quitanieve

Si no se va a utilizar el equipo durante 30 días o más, o si es el final de la temporada de nieve y ya no existe posibilidad de que nieve, es necesario almacenar el equipo de manera adecuada. Siga las instrucciones de almacenamiento que se indican a continuación para garantizar el rendimiento máximo de la máquina quitanieve durante muchos años

1. Deje que el motor funcione hasta que se acabe el combustible.
2. Siga las recomendaciones de lubricación en la sección de mantenimiento de este manual.
3. Almacene el equipo en un área despejada y seca.
4. Cuando almacene la máquina quitanieve en un galpón de depósito metálico o con poca ventilación, tenga especial cuidado de realizarle un tratamiento anti-oxidante al equipo. Use aceite ligero o silicón para recubrir el equipo, especialmente las cadenas, los resortes, los cojinetes y los cables.
5. Elimine todo el polvo del exterior del motor y del equipo.

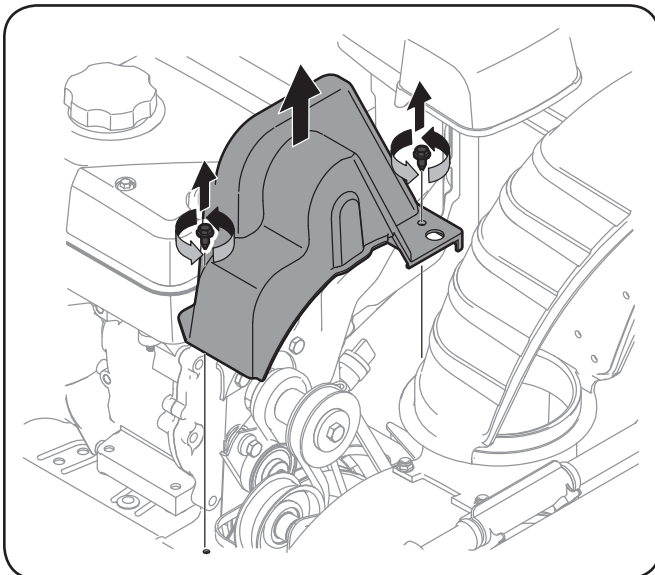
**NOTA:** Consulte el manual del operador del motor para obtener información sobre el almacenamiento de su motor.

## Cambio de Correa

### Correa de la Barrena

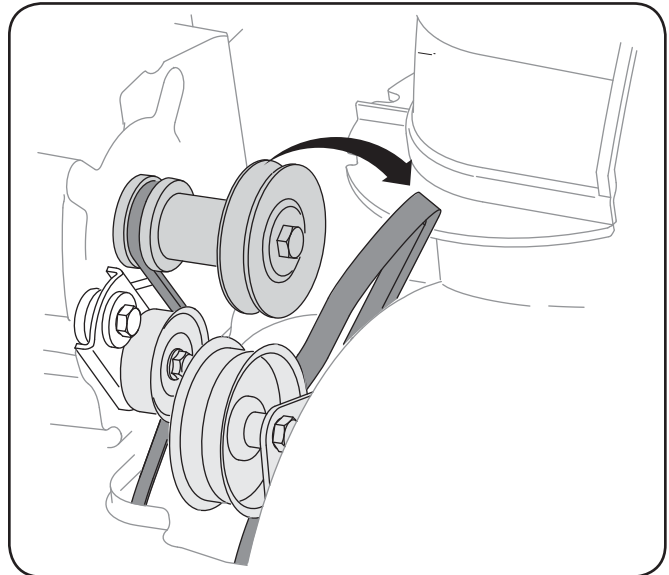
Para retirar y reemplazar la correa de la barrena de su máquina quitanieve, proceda como se indica a continuación:

1. Deje que el motor funcione hasta que se acabe el combustible.
2. Saque la cubierta plástica de la correa ubicada en el frente del motor. Para ello saque los dos tornillos autorroscantes. Vea la Figura 7-1.



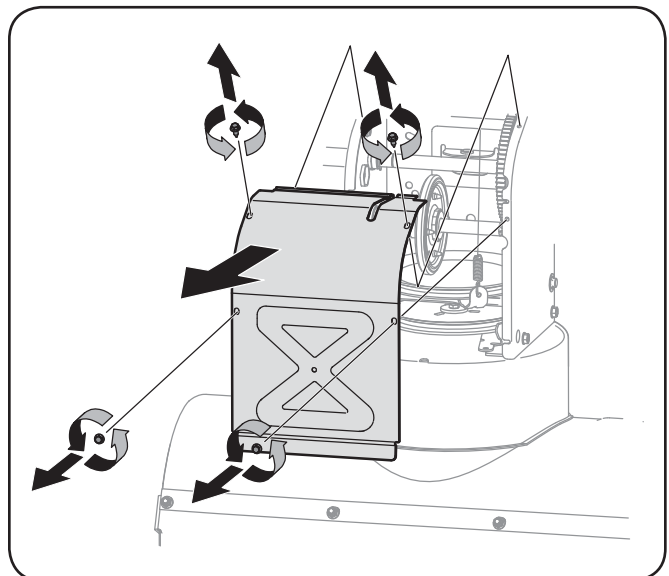
**Figura 7-1**

3. Saque la correa de la barrena de la polea del motor. Vea la Figura 7-2.



**Figura 7-2**

4. Gire con cuidado la máquina quitanieve hacia arriba y hacia delante de manera que quede apoyada sobre la caja de la barrena.
5. Saque la cubierta del marco desde debajo de la máquina quitanieve retirando los cuatro tornillos autorroscantes que la aseguran. Vea la Figura 7-3.



**Figura 7-3**



- Afloje y retire el tornillo con reborde que actúa como guardacorrea. Vea la Figura 7-4.

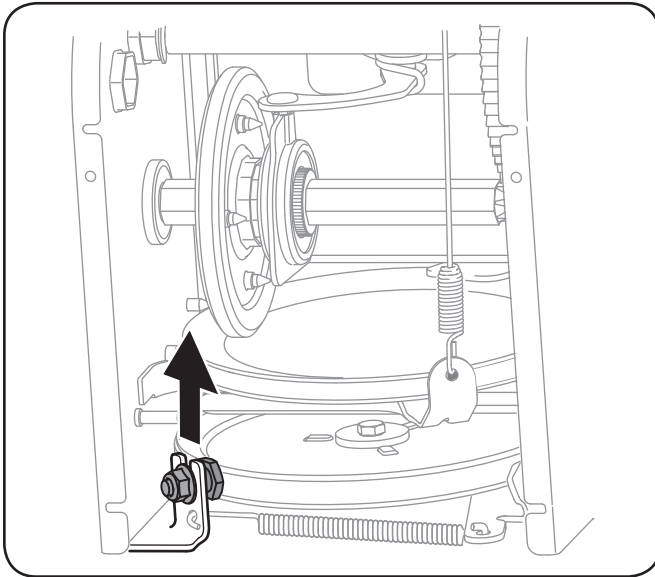


Figura 7-4

- Retire la correa de alrededor de la polea de la barra y deslice la misma entre la ménsula de soporte y la polea de la barra. Vea la Figura 7-5.

**NOTA:** Mantener el control de la barra va a facilitar el desmontaje y reinstalación de la correa.

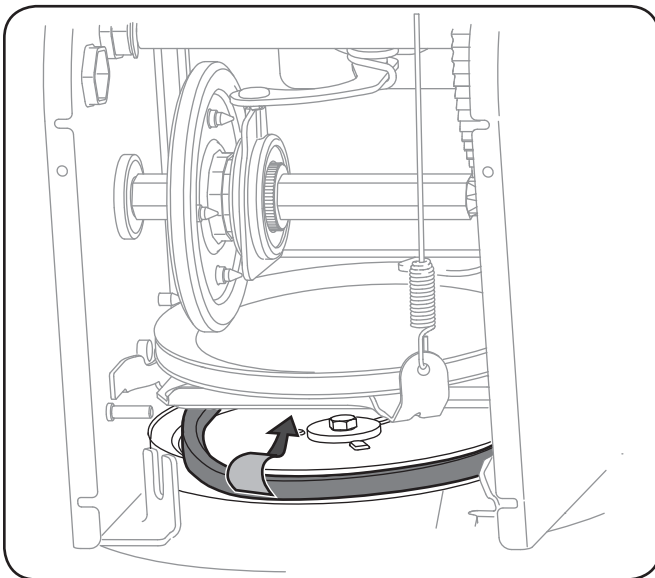


Figura 7-5

- Para realizar el reensamblado de la correa de la barra siga las instrucciones en orden inverso.

**NOTA:** No olvide volver a instalar el tornillo con reborde y volver a conectar el resorte al marco tras instalar la correa de la barra de repuesto.

- Después de reemplazar la correa de la barra, realice la prueba de control de barra en la página 41 para verificar la correa se ajusta correctamente.

### Correa de la Transmisión

**NOTA:** Se requieren las herramientas especiales y varios componentes se deben quitar y para substituir el caucho de la correa de la transmisión del lanzador de la nieve. Ver a distribuidor autorizado del servicio para tener el caucho de la correa de la transmisión substituido o ayuda de cliente del teléfono según lo mandado en la página 30 para asistencia.

### Extracción de la Rueda de Fricción

Si la máquina quitanieve no se mueve cuando el control de la transmisión está engranado, y si al realizar el ajuste del cable de control de la transmisión el problema no se corrige, es posible que deba reemplazar la rueda de fricción. Siga las instrucciones que aparecen a continuación. Examine la rueda de fricción buscando signos de desgaste o grietas y reemplace si es necesario.

- Deje que el motor funcione hasta que se acabe el combustible.
- Coloque la palanca de cambios en la primera posición de avance (F1).
- Gire con cuidado la máquina quitanieve hacia arriba y hacia delante de manera que quede apoyada sobre la caja de la barra.
- Saque la cubierta del marco desde debajo de la máquina quitanieve retirando los cuatro tornillos autorroscantes que la aseguran. Retire la rueda derecha quitando el tornillo y la arandela de campana que la aseguran al eje. Vea la Figura 7-6.

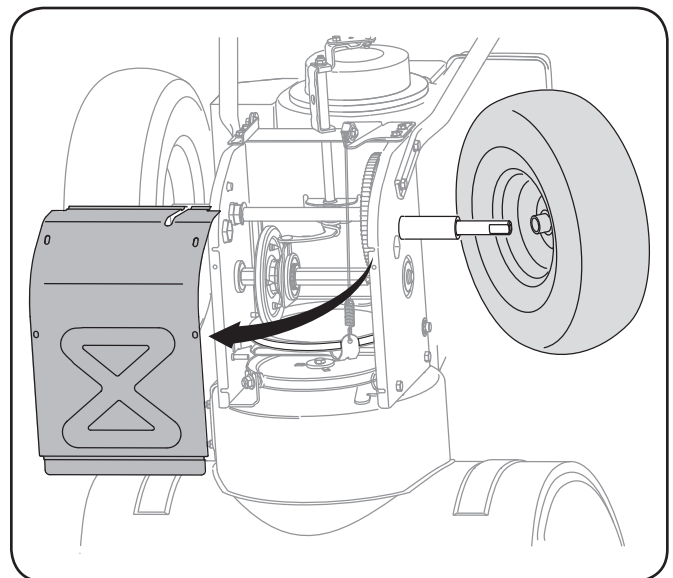
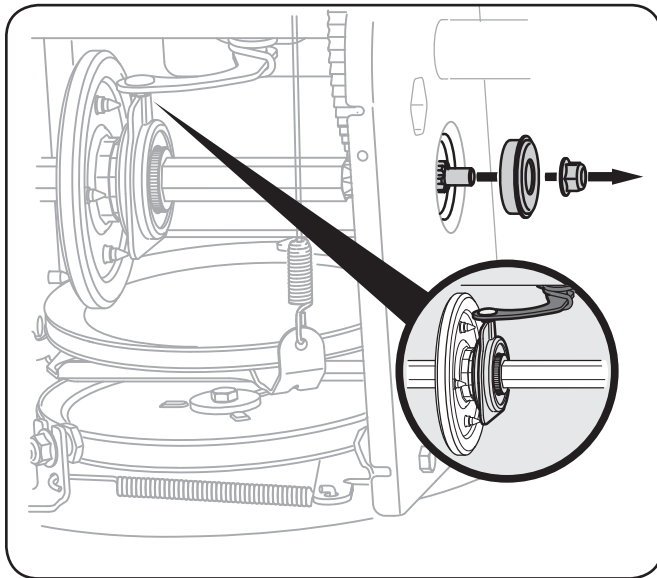


Figura 7-6

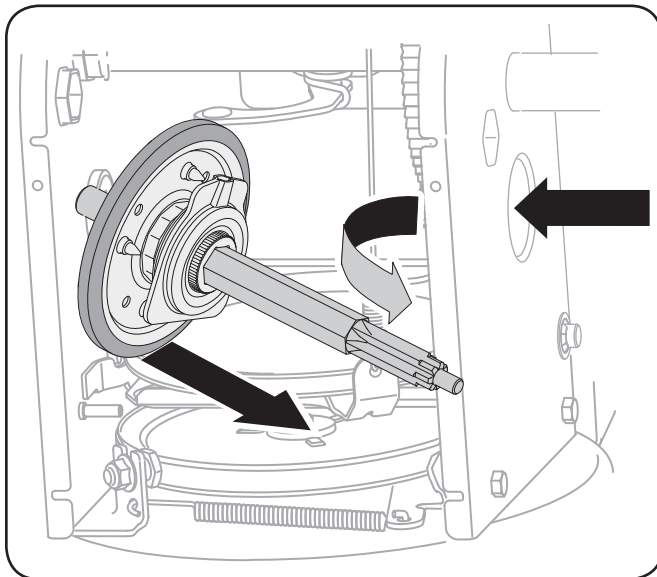
- Retire con cuidado la tuerca hexagonal y la arandela que sujetan el eje hexagonal al marco de la máquina quitanieve, y golpee suavemente el extremo del eje para desplazar el cojinete de bolas del lado derecho del marco. Vea la Figura 7-7.

**NOTA:** Tenga cuidado de no dañar las roscas del eje.



**Figura 7-7**

- Con cuidado, ubique el eje hexagonal hacia abajo y hacia la izquierda antes de deslizar con precaución el montaje de la rueda de fricción fuera del eje. Vea la Figura 7-8.



**Figura 7-8**

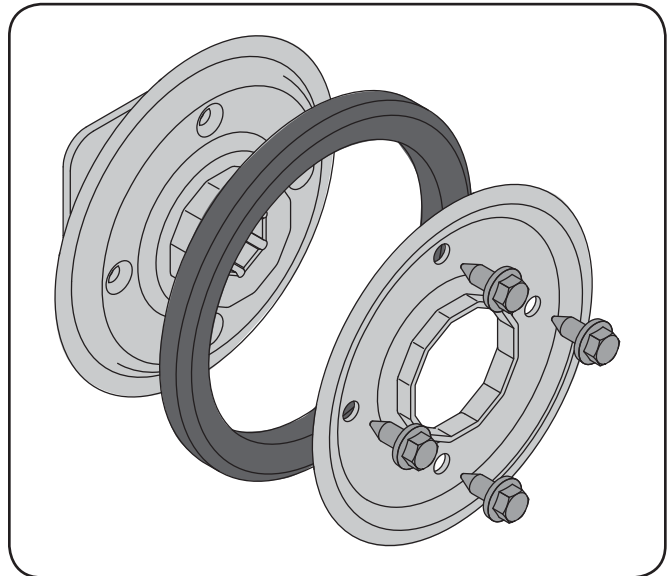
**NOTA:** Para reemplazar el conjunto de la rueda de fricción completo, descarte la pieza desgastada y deslice la nueva pieza en el eje hexagonal.

- Para reensamblar los componentes siga los pasos anteriores en orden inverso.
- Realizar la prueba de la unidad de control en la página 46 en la sección Mantenimiento y Ajustes.

Si está desmontando la rueda de fricción para reemplazar únicamente el anillo de goma, proceda como se indica a continuación:

**NOTA:** No todas las ruedas de fricción son útiles. Si este es el caso, basta con sustituir el conjunto de rueda de fricción.

- Saque los cuatro tornillos que mantienen unidas las placas laterales de la rueda de fricción. Vea la Figura 7-9.



**Figura 7-9**

- Retire el anillo de goma de entre las placas.
- Vuelva a montar las placas laterales con un nuevo anillo de goma.

**NOTA:** Al reensamblar el conjunto de la rueda de fricción, asegúrese de que el anillo de goma está correctamente centrado y asentado entre las placas laterales. Apriete cada tornillo sólo una vuelta antes de girar la rueda en el sentido de las agujas del reloj y proceder con el siguiente tornillo. Repita este proceso varias veces para asegurarse de que las placas se aprietan con la misma fuerza (entre 6 y 9 pies-libras).

- Vuelva a deslizar el conjunto de la rueda de fricción sobre el eje hexagonal y siga los pasos anteriores en orden inverso para reensamblar los componentes.

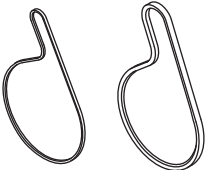
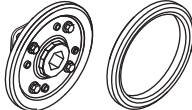

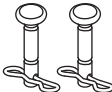
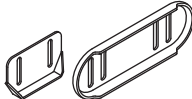
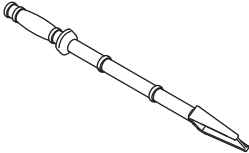
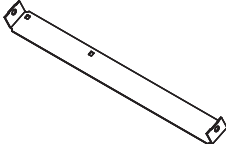
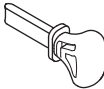
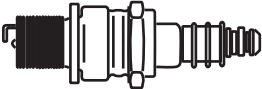
**NOTA:** Asegúrese de que el pino de la palanca de cambios está en su sitio en el alojamiento del cojinete.

- Después de reemplazar la rueda de fricción, realizar la prueba de la unidad de control en la página 46 en la sección Mantenimiento y Ajustes.



Problema	Causa	Solución
El motor no arranca	<ol style="list-style-type: none"> <li>1. El control del cebador no está en la posición CHOKE (encendido).</li> <li>2. Se ha desconectado el cable de la bujía.</li> <li>3. El depósito de combustible está vacío o el combustible se ha echado a perder.</li> <li>4. El motor no está cebado.</li> <li>5. La bujía no funciona correctamente.</li> <li>6. La llave no se ha insertado.</li> <li>7. El cable de extensión no están conectados (si se utiliza el botón de arranque eléctrico, en los modelos equipados).</li> </ol>	<ol style="list-style-type: none"> <li>1. Ponga el control del cebador en la posición CHOKE (encendido).</li> <li>2. Conecte el cable a la bujía.</li> <li>3. Llene el tanque con gasolina limpia y fresca.</li> <li>4. Ceba el motor tal como se explicó en la sección Funcionamiento.</li> <li>5. Limpie o cambie la bujía, o ajuste la separación.</li> <li>6. Inserte la llave totalmente dentro del interruptor.</li> <li>7. Conecte un extremo del cable de extensión para la toma de corriente de arranque y el otro extremo a una de tres puntas de 120 voltios a tierra, toma de corriente alterna.</li> </ol>
El motor funciona de manera errática	<ol style="list-style-type: none"> <li>1. El motor está funcionando en la posición CHOKE (cebador).</li> <li>2. El combustible es viejo.</li> <li>3. Agua o suciedad en el sistema del combustible.</li> <li>4. Es necesario regular el carburador.</li> <li>5. Motor a lo largo gobernados.</li> </ol>	<ol style="list-style-type: none"> <li>1. Mueva el control del cebador a la posición RUN (apagado).</li> <li>2. Llene el tanque con gasolina limpia y fresca.</li> <li>3. Vacíe el tanque de combustible. Vuelva a llenarlo con combustible limpio.</li> <li>4. Póngase en contacto con un centro de servicio autorizado.</li> <li>5. Póngase en contacto con un centro de servicio autorizado.</li> </ol>
El motor recalienta	<ol style="list-style-type: none"> <li>1. El carburador no está bien regulado.</li> </ol>	<ol style="list-style-type: none"> <li>1. Póngase en contacto con un centro de servicio autorizado.</li> </ol>
Demasiada vibración	<ol style="list-style-type: none"> <li>1. Hay piezas que están flojas o la barrena está dañada.</li> </ol>	<ol style="list-style-type: none"> <li>1. Detenga el motor de inmediato y desconecte el cable de la bujía. Ajuste todos los pernos y las tuercas. Si continúa la vibración, haga revisar la unidad por un centro de servicio autorizado para realizar el mantenimiento.</li> </ol>
Pérdida de potencia	<ol style="list-style-type: none"> <li>1. El cable de la bujía está flojo.</li> <li>2. El orificio de ventilación del tapón de combustible está obstruido.</li> </ol>	<ol style="list-style-type: none"> <li>1. Conecte el cable de la bujía.</li> <li>2. Retire el hielo y la nieve del tapón de combustible. Compruebe que el orificio de ventilación no esté obstruido.</li> </ol>

Problema	Causa	Solución
La unidad no se autoimpulsa	<ol style="list-style-type: none"> <li>1. El cable del control de transmisión necesita un ajuste.</li> <li>2. La correa de transmisión está floja o dañada.</li> <li>3. La fricción de la rueda desgastada.</li> </ol>	<ol style="list-style-type: none"> <li>1. Ajuste el cable del control de transmisión. Consulte la sección Mantenimiento y Ajustes.</li> <li>2. Póngase en contacto con un centro de servicio autorizado.</li> <li>3. Vuelva a colocar la rueda de fricción. Consulte la sección de servicio.</li> </ol>
La unidad no descarga la nieve	<ol style="list-style-type: none"> <li>1. El montaje del canal está tapado.</li> <li>2. Hay un objeto extraño en la barrena.</li> <li>3. El cable del control de la barrena necesita un ajuste.</li> <li>4. La correa de la barrena está floja o dañada.</li> <li>5. El o los pasadores de cuchilla están quebrados.</li> </ol>	<ol style="list-style-type: none"> <li>1. Detenga el motor de inmediato y desconecte el cable de la bujía. Limpie el montaje del canal y el interior de la caja de la barrena con la herramienta de limpieza o una varilla.</li> <li>2. Detenga el motor de inmediato y desconecte el cable de la bujía. Retire el objeto de la barrena con la herramienta de limpieza o una varilla.</li> <li>3. Ajuste el cable del control de la barrena. Consulte la sección Montaje y Configuración.</li> <li>4. Para reemplazar la correa de la barrena consulte la sección Servicio.</li> <li>5. Reemplace el o los pasadores de cuchilla.</li> </ol>
Chute no girar 180 grados	<ol style="list-style-type: none"> <li>1. Chute montados incorrectamente.</li> </ol>	<ol style="list-style-type: none"> <li>1. Unasemble tolva de control y volver a como se indica en la Asamblea sección.</li> </ol>

Componente	Número de pieza y Descripción
	954-04050      Correa de transmisión de la barrena (Storm 2410 & Storm 2620) 954-04195A      Correa de transmisión de la barrena (Storm 2840) 954-04260      Correa de transmisión de la rueda (Storm 2410 & Storm 2620) 954-04201A      Correa de transmisión de la rueda (Storm 2840)
	684-04153C      Montaje de rueda de fricción 935-04054      Goma de la rueda de fricción
	725-1629†      Lámpara, 12V
	738-04124A      Pasador de cuchilla, 1,50 714-04040      Pasador de chaveta con unión curva
	784-5580      Zapata antideslizante 790-00091      Zapata antideslizante, Deluxe
	931-2643      Herramienta de limpieza del canal
	790-00120      Placa de raspado (Storm 2410) 790-00121      Placa de raspado (Storm 2620) 790-00118      Placa de raspado (Storm 2840)
	951-10630      Llave
	951-10292      Bujía

† Si está equipado

Llame por teléfono al (800) 828-5500 para solicitar piezas de reemplazo o un Manual de Piezas de Repuesto completo (tenga el número de modelo y número de serie de su máquina a mano). En [www.troybilt.com](http://www.troybilt.com) también podrá descargar el Manual de Piezas de Repuesto sin cargo alguno.

Los siguientes aditamentos y accesorios son compatibles con el máquina quitanieve. Llame (800) 828-5500 para la información con respecto a la compatibilidad, el precio y la disponibilidad (tener su número de modelo completo y número de serie).

Número de modelo	Descripción
929-0071A	Cordón prolongador, 110V
753-05762A	Puños Calentados*
OEM-390-679	Lleve Juego de Cortador
490-241-0010	Juego Zapata Antideslizante de Polímero
490-241-0032	Cubierta protectora de Máquina Quitanieve
490-241-Y014	Mantenimiento Juego de Máquina Quitanieve
490-290-0010	Cubierta de Máquina Quitanieve
490-241-0028	Máquina Quitanieve Cadenas para neumáticos (16" x 4.8" Neumáticos)
490-241-0029	Máquina Quitanieve Cadenas para neumáticos (16" x 6.5" Neumáticos)
490-900-0062	Antiadherente en spray
490-240-0011	Hisopos de prueba de combustible
490-850-0008	Bomba Sifón
490-000-0028	Carburador y Cebador Cleaner
490-325-L019	24 oz Tire y Sellador Tube
490-325-L021	Tire y Sellador Tube - Un galón
490-850-L013	Tire / Bomba de pie Tube
490-850-L014	Deluxe Tire Plug Kit
22208	8 oz estabilizador de combustible
22216	32 oz estabilizador de combustible

\* No es compatible con Storm 2410.

# GARANTÍA LIMITADA DEL FABRICANTE PARA



La siguiente garantía limitada es otorgada por Troy-Bilt LLC con respecto a nuevos productos adquiridos y utilizados en Estados Unidos y/o sus territorios y posesiones, y por MTD Products Limited con respecto a nuevos productos adquiridos y utilizados en Canadá y/o sus territorios y posesiones (cualquiera de las dos entidades, respectivamente, "Troy-Bilt").

Esta garantía es adicional a la garantía de emisiones aplicables proporcionada con el producto.

"Troy-Bilt" garantiza este producto (excluidas *las Piezas y Accesorios con Desgaste Normal* según se describe más abajo) contra defectos en los materiales y mano de obra por un período de dos (2) años a partir de la fecha de compra original y, a su opción, reparará o reemplazará, sin costo alguno, cualquier pieza que presente defectos en los materiales o de mano de obra. Esta garantía limitada sólo se aplicará si el producto ha sido operado y mantenido de acuerdo con las instrucciones del Manual del Operador que se proporciona con el producto y no ha sido sujeto a uso inapropiado, abuso, uso comercial, abandono, accidente, mantenimiento incorrecto, alteración, vandalismo, robo, incendio, inundación o algún daño debido a otro peligro o desastre natural. El daño resultante por la instalación o el uso de piezas, accesorios o aditamentos no aprobados por Troy-Bilt para su uso con el(los) producto(s) incluido(s) en este manual anulará la garantía en lo que respecta a esos daños.

Se garantiza que *las Piezas con Desgaste Normal* están libres de defectos en los materiales y mano de obra por un período de treinta (30) días a partir de la fecha de compra. Las piezas sujetas a desgaste normal incluyen pero no se limitan a: baterías, correas, cuchillas, adaptadores para cuchillas, dientes, bolsas para pasto, ruedas, ruedas para la plataforma de la podadora tractor, asientos, zapatas antideslizantes, ruedas de fricción, placas de raspado, gomas helicoidales y neumáticos.

**Accesorios** — Troy-Bilt garantiza que los accesorios de este producto están libres de defectos de material y mano de obra durante un período de un (1) año a partir de la fecha de compra o arrendamiento original del accesorio. Los accesorios incluyen, pero no se limitan a: colectores de césped y kits para abono.

**CÓMO SOLICITAR Y OBTENER SERVICIO TÉCNICO:** El servicio de la garantía está disponible, CON PRUEBA DE COMPRA, a través del distribuidor de servicio local autorizado. Para localizar al distribuidor de su zona:

## **En Estados Unidos de América**

Consulte las páginas amarillas, o póngase en contacto con Troy-Bilt LLC en P.O. Box 361131, Cleveland, Ohio 44136-0019, llame al 1-866-840-6483, 1-330-558-7220 ó visite nuestro sitio web en [www.troybilt.com](http://www.troybilt.com).

## **En Canadá**

Póngase en contacto con MTD Products Limited, Kitchener, ON N2G 4J1, llame al 1-800-668-1238 ó visite nuestro sitio web en [www.mtdcanada.com](http://www.mtdcanada.com).

Esta garantía limitada **no** suministra cobertura en los siguientes casos:

- Las bombas, válvulas y cilindros del rompetroncos tienen una garantía separada de un año.

- Los artículos necesarios para el mantenimiento de rutina como por ejemplo lubricantes, filtros, afiladores de cuchillas, sincronización del motor, los ajustes de los frenos, del embrague o de la plataforma y el deterioro normal del acabado exterior debido al uso o exposición.
- Mantenimiento no realizado por el distribuidor de servicio autorizado.
- Troy-Bilt no extiende ninguna garantía para los productos vendidos o exportados fuera de los Estados Unidos de América y/o Canadá, y sus respectivas posesiones y territorios, excepto para aquellos vendidos a través de los canales autorizados de distribución de exportaciones de Troy-Bilt.
- Piezas de reemplazo que no son piezas originales de Troy-Bilt.
- Gastos de transporte y visitas técnicas.
- Troy-Bilt no garantiza este producto para uso comercial.

**No existe ninguna garantía implícita, incluyendo cualquier garantía implícita de comerciabilidad o adaptabilidad para un propósito en particular, una vez transcurrido el período aplicable de garantía escrita según lo antedicho en relación con las piezas identificadas. Ninguna otra garantía expresa, ni oral ni escrita, excepto la mencionada anteriormente, extendida por personas reales o jurídicas, incluidos los distribuidores o los minoristas con respecto a cualquier producto, obligará a Troy-Bilt. Durante el plazo de la garantía el único recurso es la reparación o reemplazo del producto como se indicó anteriormente.**

**Las disposiciones de esta garantía cubren el recurso de reparación única y exclusiva que surge de la venta. Troy-Bilt no se hará responsable de ninguna pérdida o daño incidental o resultante, incluyendo sin limitación, los gastos incurridos para los servicios de mantenimiento del césped, o los gastos de arrendamiento para reemplazar de manera transitoria un producto bajo garantía.**

Algunos estados no permiten la exclusión o limitación de los daños y perjuicios incidentales o directos, o las limitaciones sobre la duración de las garantías implícitas, por lo que las exclusiones o limitaciones mencionadas anteriormente pueden no ser de aplicación.

En ningún caso se obtendrá una compensación de ningún tipo por un monto mayor al precio de compra del producto vendido. **La alteración de las características de seguridad del producto anulará esta garantía.** Usted asume el riesgo y la responsabilidad de las pérdidas, daños o lesiones que sufran usted y sus bienes y / u otras personas y sus bienes como resultado del uso incorrecto o de la falta de capacidad para usar este producto.

Esta garantía limitada cubre solamente al comprador original, o a la persona que recibió el producto de regalo.

**CÓMO SE RELACIONA LA LEGISLACIÓN ESTATAL CON ESTA GARANTÍA:** Esta garantía limitada le otorga derechos legales específicos y usted también puede contar con otros derechos que varían de un estado a otro.

**IMPORTANTE:** El propietario debe presentar prueba de compra original para obtener la cobertura de la garantía.

**Troy-Bilt LLC, P.O. BOX 361131 CLEVELAND, OHIO 44136-0019, Teléfono: 1-866-840-6483, 1-330-558-7220 MTD Canada Limited - KITCHENER, ON N2G 4J1; Teléfono 1-800-668-1238**