

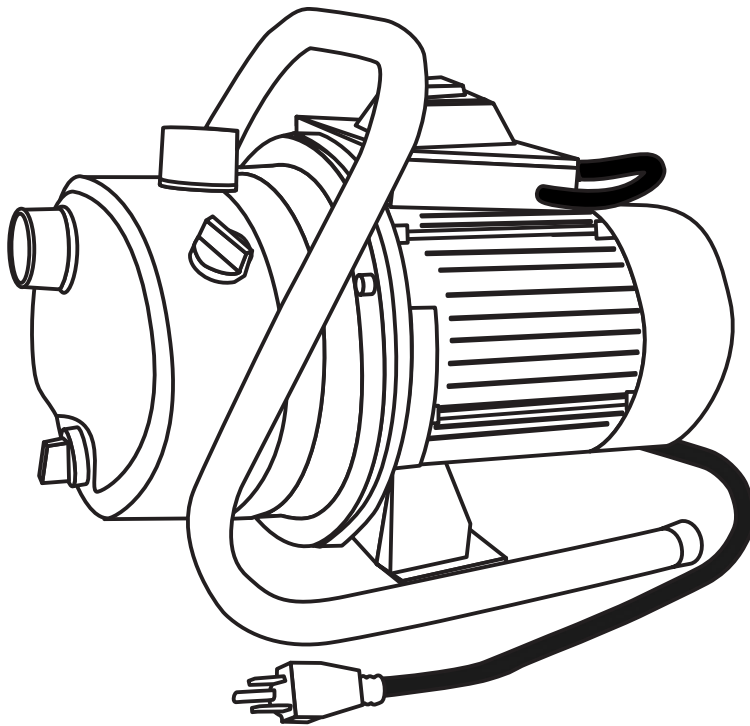


ITEM #0955585

BOOSTER UTILITY PUMP

MODEL #148008

Español p. 12



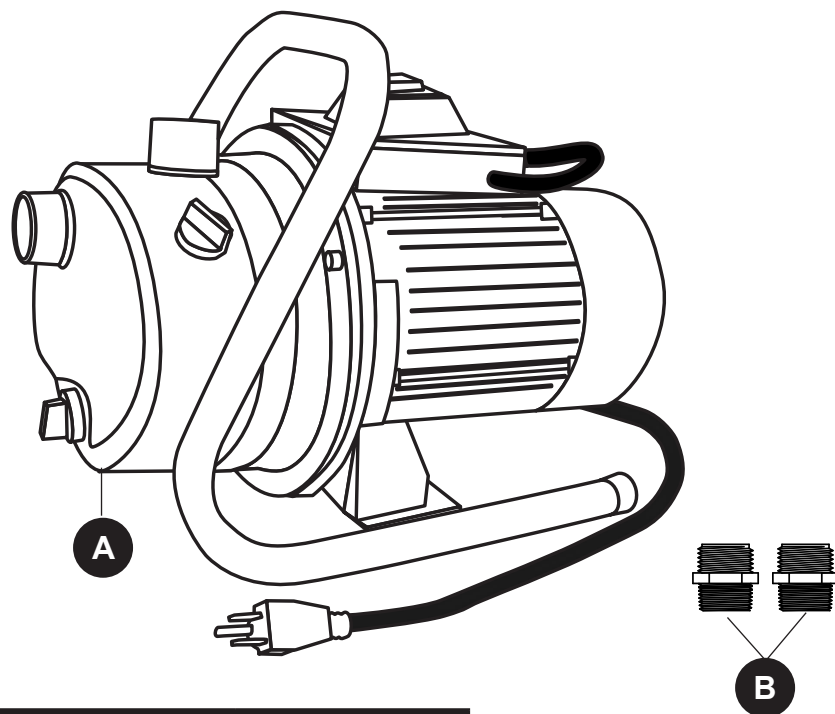
ATTACH YOUR RECEIPT HERE

Serial Number _____ Purchase Date _____



Questions, problems, missing parts? Before returning to your retailer, call our customer service department at 1-866-994-4148, 7:30 a.m. - 5:00 p.m., EST, Monday - Friday.

PACKAGE CONTENTS



PART	DESCRIPTION	QUANTITY
A	Pump	1
B	Garden Hose Adapters	2

SAFETY INFORMATION

Please read and understand this entire manual before attempting to assemble, operate, or install the product.

NOTE: Pumps with the “UL” Mark and pumps with the “US” mark are tested to UL Standard UL778. CSA certified pumps are certified to CSA Standard C22.2 No. 108. (CUS.)

DANGER

- **ELECTRICAL SHOCK HAZARD.**

This pump is non-submersible. Keep the motor dry at all times. Do not wash the motor. Do not submerge the pump in water. Protect the motor from wet weather. Do not allow any part of cord or receptacle ends to sit in water or in damp locations. Failure to follow these warnings will result in death or serious injury, and/or property damage.

- **FIRE/EXPLOSION HAZARD.**

Pump only clear water. Do not pump flammable or explosive fluids such as gasoline, fuel oil, kerosene, etc. Do not use in a flammable and/or explosive atmosphere. Failure to follow these warnings could result in death or serious injury and/or property damage.

- **RISK OF ELECTRIC SHOCK.**

These pumps have not been investigated for use in swimming pool areas.

- **RISK OF ELECTRIC SHOCK.**

Always disconnect power source before attempting to install, service, or maintain the pump. Never handle a pump with wet hands or when standing on wet or damp surface or in water. Fatal electrical shock could occur.

 **WARNING**

- **ELECTRICAL SHOCK ALERT.**
Before installing this product, have the electrical circuit checked by an electrician to ensure proper grounding. All electrical installations must conform to the National Electric Code and all local codes.
- **ELECTRICAL SHOCK ALERT.**
Connect this product to a properly-grounded 115 volt circuit equipped with a Ground Fault Circuit Interrupter (GFCI) device.
- **ELECTRICAL SHOCK ALERT.**
Do not handle pump or pump motor with wet hands or when standing on a wet or damp surface or in water.
- **ELECTRICAL SHOCK ALERT.**
These pumps are supplied with a 3-prong grounded plug to help protect you against the possibility of electrical shock. **DO NOT UNDER ANY CIRCUMSTANCES REMOVE THE GROUND PIN.**
- **ELECTRICAL SHOCK ALERT.**
This pump is not intended to be permanently installed outdoors. Protect pump from extreme heat, cold, and humidity. This pump is not waterproof and is not intended to be used in showers, saunas, or other potentially wet locations. The motor is designed to be used in a clean, dry location with access to an adequate supply of cooling air. Ambient temperature around the motor should not exceed 104°F (40°C).
- **ELECTRICAL SHOCK ALERT.**
BE CERTAIN the pump power source is disconnected before installing or servicing pump.
- **ELECTRICAL SHOCK ALERT.**
Protect electrical cord from sharp objects, hot surfaces, oil, and chemicals. Avoid kinking the cord.
- **CHEMICAL ALERT.**
This product contains chemicals known to the state of California to cause cancer and birth defects or other reproductive harm.
- **PERSONAL INJURY/PRODUCT DAMAGE ALERT.**
Provide a means of pressure relief if the pump discharge can be shut off or obstructed. Pumps operating with a closed discharge can create hot liquid, which can cause burns.
- **PERSONAL INJURY ALERT.**
This pump is equipped with an automatic thermal overload and can restart without warning.
- **PERSONAL INJURY ALERT.**
Do not touch the motor when operating and allow the motor to cool before touching it after operation. Motor is designed to operate at high temperatures.

CAUTION

- **PERSONAL INJURY OR PRODUCT DAMAGE MAY RESULT.**
This pump operates on 115 volts. Make certain that the power source conforms to the requirements of your equipment.
- **PRODUCT DAMAGE MAY RESULT.**
The maximum temperature of the pumped liquid must not exceed 120°F (40°C). The minimum allowable temperature is 40°F (4°C).
- **PRODUCT DAMAGE MAY RESULT.**
Be sure the water source and piping are clear of sand, dirt, and scale. Debris will clog the pump and void the warranty. Use a screen or strainer on the inlet to prevent debris from entering the pump.
- **PRODUCT DAMAGE MAY RESULT.**
Failure to protect the pump and piping from freezing will cause damage and void the warranty.
- **PRODUCT DAMAGE MAY RESULT.**
Do not run pump dry. Impeller and seal damage will result.
- **PROPERTY DAMAGE MAY RESULT.**
Drain all liquids from the system before servicing or storing.
- **PERSONAL INJURY AND/OR PROPERTY DAMAGE MAY RESULT.**
Make sure the discharge hose is secure before starting the pump. A loose discharge hose can whip around and cause personal injury or property damage.
- **PROPERTY DAMAGE MAY RESULT.**
Do not operate this product while unattended.
- **PROPERTY DAMAGE MAY RESULT.**
Check hoses for worn areas before use and make certain that all connections are tight.
- **PRODUCT DAMAGE MAY RESULT.**
This pump is designed to pump water only. It has not been evaluated for pumping chemicals. Check hoses for worn areas before use and make certain that all connections are tight.
- **PRODUCT DAMAGE MAY RESULT.**
Inspect the pump regularly for damage and perform routine maintenance as needed.

PREPARATION

Before beginning installation of product, make sure all parts are present. Compare parts with package contents list. If any part is missing or damaged, do not attempt to assemble the product.

Estimated Installation Time: 10 minutes

Tools may be required for assembly: Crescent wrench, PVC-safe pipe sealant or thread sealant tape.

GENERAL PUMP INFORMATION

This pump is designed to sprinkle lawns and small gardens from lakes, ponds, or rivers, empty or fill stock tanks, remove standing water from flooded areas, transfer water or boost water pressure. Flammable liquids such as gasoline, chemicals, or corrosive liquids should never be used with this pump.

The pump is NOT designed to operate underwater.

SETUP

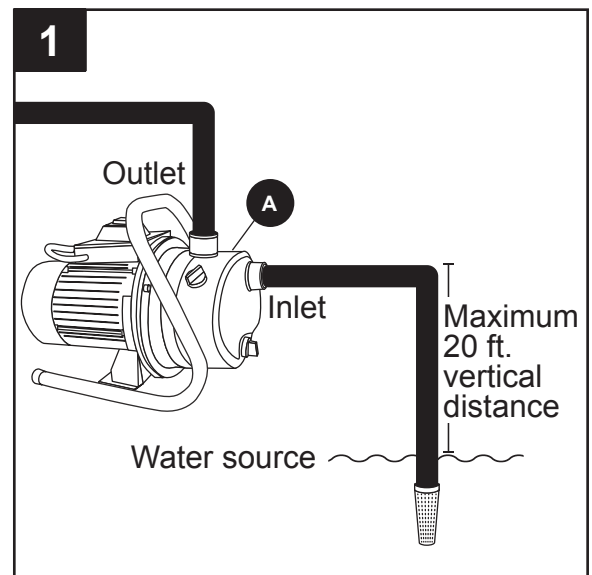
1. Before installing pump (A), have the electrical circuit checked by an electrician to ensure proper grounding.
BE CERTAIN the pump (A) power source is disconnected before installing or servicing this unit. Be sure the water source and piping are clear of sand, dirt, and scale. Debris will clog pump (A) and void warranty.
Failure to protect pump (A) and piping from freezing could cause severe damage and will void the warranty.
Do not run pump (A) dry.

INSTALLATION INSTRUCTIONS

PUMPING FROM LAKES, PONDS, OR SMALL STREAMS

1. Set pump (A) as close as possible to the water source, keeping the vertical distance from the water to pump as short as possible and no more than 20 ft. Place pump (A) on level support. Protect against flooding and excessive moisture.

Long lengths of pipe or hose and use of many fittings will reduce the amount of water this unit will pump. Use the smallest number of fittings and shortest possible length of pipe or hose.

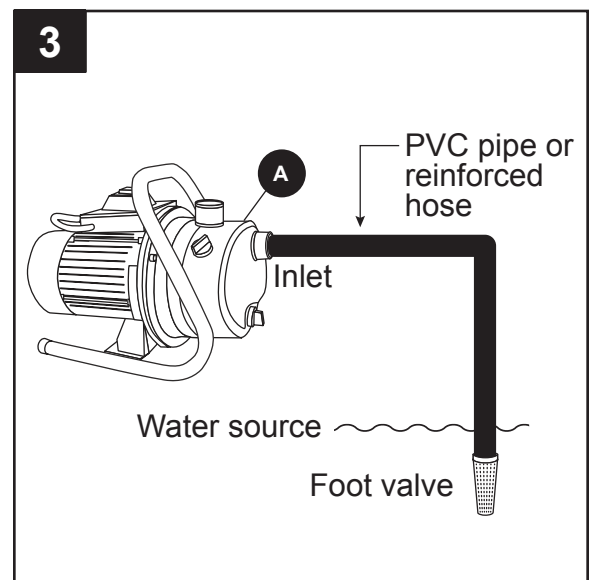
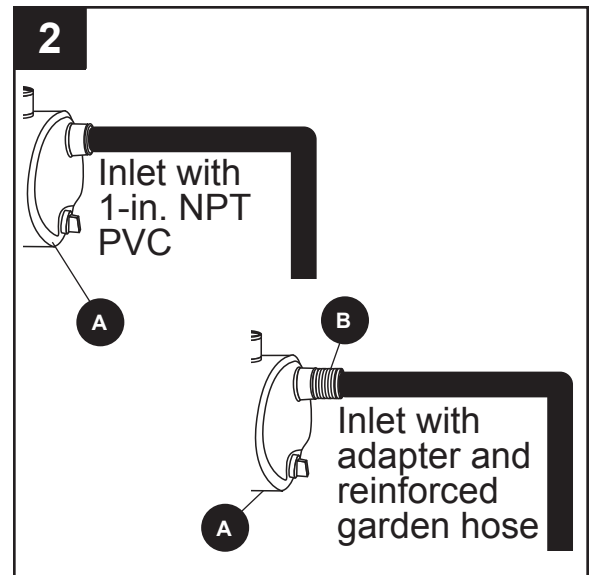


- Pump (A) inlet connection is designed for 1 in. NPT thread. You can connect to the inlet with either 1 in. NPT PVC or garden hose. For garden hose connections, thread adapter (B) into the inlet. Seal connections with PVC-safe sealant or thread sealant tape.

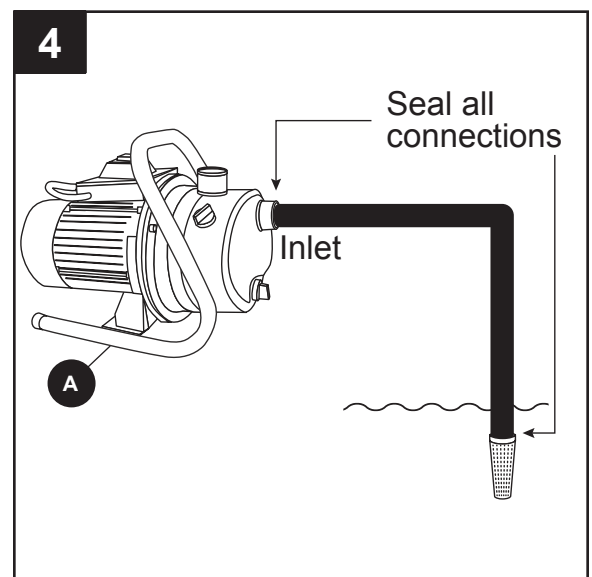
NOTE: Minimize length of pipe and number of fittings.

NOTE: The inlet hose must be a reinforced type when pumping from lakes, ponds, or small streams. Regular garden hose will collapse and lead to failure of pump (A). Inlet line should be the same diameter as the discharge line, or larger.

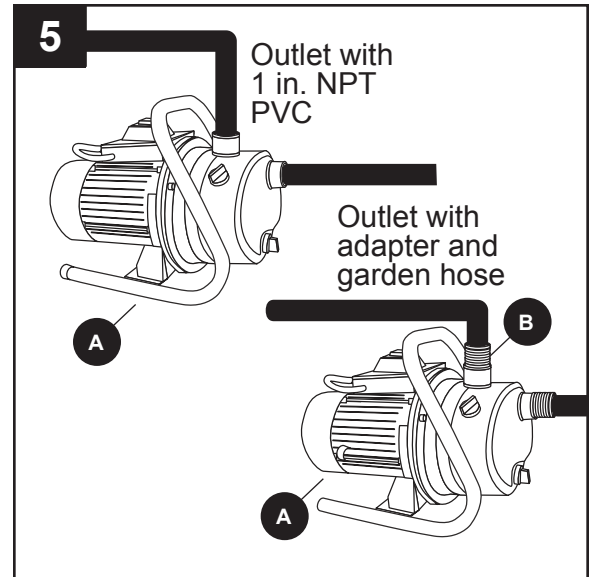
- Attach garden hose to adapter (B) or connect 1 in. PVC pipe directly to pump (A) inlet. A foot valve with strainer (not provided) should be installed at the end of the discharge hose or pipe to maintain prime during operation.



- Seal all connections in the inlet hose with PVC-safe sealant or thread sealant tape (not provided). An air leak in the fittings, hose, pipe, or connections will reduce pump (A) performance and lead to pump failure.



- Connect 1 in. NPT pipe or garden hose to pump (A) discharge. For garden hose connections, thread adapter (B) into the discharge before connecting the hose.

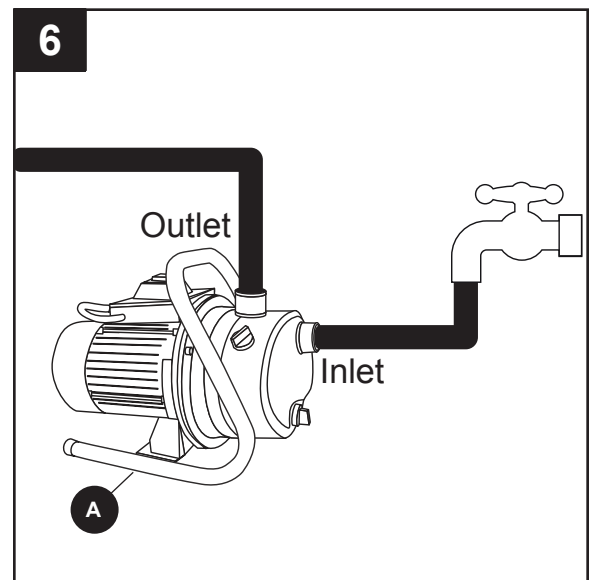


BOOSTING WATER PRESSURE

- Connect 1 in. NPT pipe or garden hose to pump (A) as in step 2. Connect the other end of the inlet line to water supply such as a spigot.

Connect outlet pipe or hose to pump (A).

⚠ CAUTION Do not run pump (A) with outlet pipe or nozzle closed. The hose may burst from excessive pressure. Use only reinforced high-pressure hose or pipe for outlet pipe when boosting water pressure.



DISCHARGE PRESSURE (PSI)	GALLONS PER HOUR
5	800
10	700
17	600
25	500
30	400
40	200
50	100

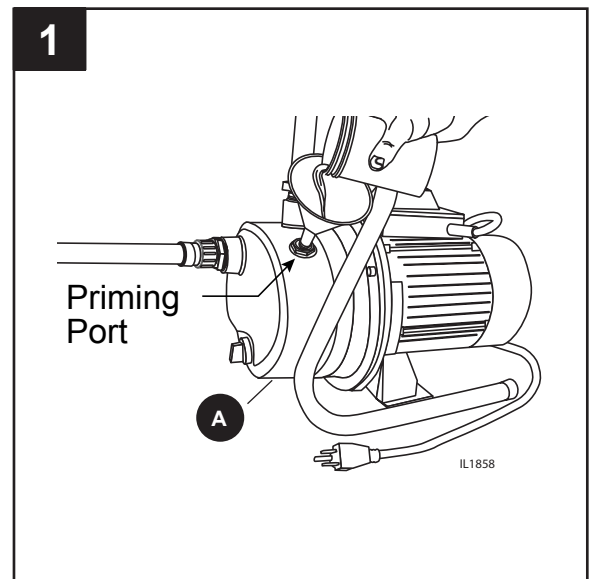
Power supply required	115 Volts, 60 Hz
Maximum water temperature	104°F (40°C)
Individual branch circuit required	15 AMP minimum
Discharge connection	1 in. NPT
Inlet connection	1 in. NPT
Water depth rating	Maximum of 25 ft.

OPERATING INSTRUCTIONS

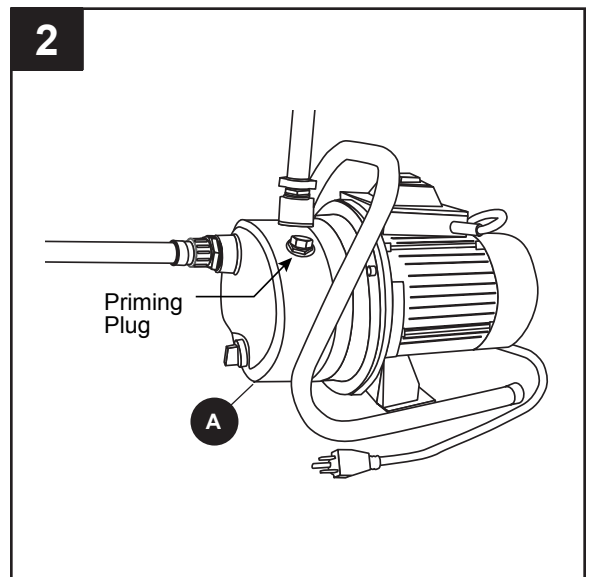
1. Remove priming plug on pump (A) and fill with water.

⚠ CAUTION Never run pump (A) dry. Running pump without water will cause seal failure. Fill pump (A) with water before starting, unless the pump is used for pressure boosting.

NOTE: For boosting water pressure: Do not remove priming plug. Turn on the water supply. (See Step 6 in INSTALLATION INSTRUCTIONS).



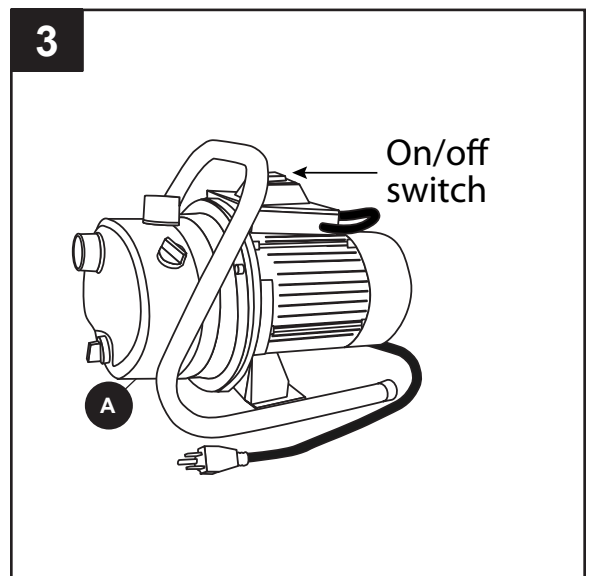
2. Reinstall priming plug on pump (A).



3. Turn pump (A) switch to the "off" position and connect power cord to GFCI outlet.

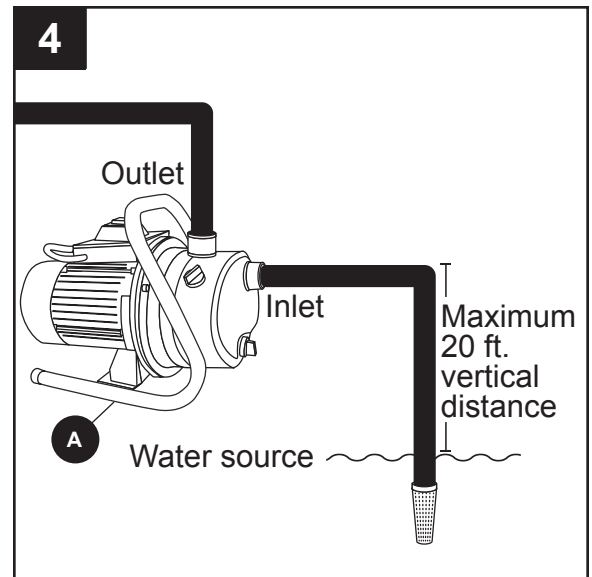
NOTE: Pump (A) is for use only on 120 volt (single phase), 60 Hz, 15 amp service, and is equipped with a 3-conductor cord and e-prong, grounding type plug.

⚠ WARNING Use a grounded receptacle to reduce the risk of fatal electric shock. Never cut off the round grounding prong on the power cord. Cutting the cord or plug will make pump (A) unsafe to operate and void the warranty.



4. Turn pump (A) switch to the “on” position. If the pump does not pump water within 5 minutes, turn off pump (A) and repeat steps 1 through 4. Check the following:

- Vertical distance of pump (A) to water level must not be more than 20 feet.
- Inlet line must be airtight.
- All valves in inlet and discharge line must be open.



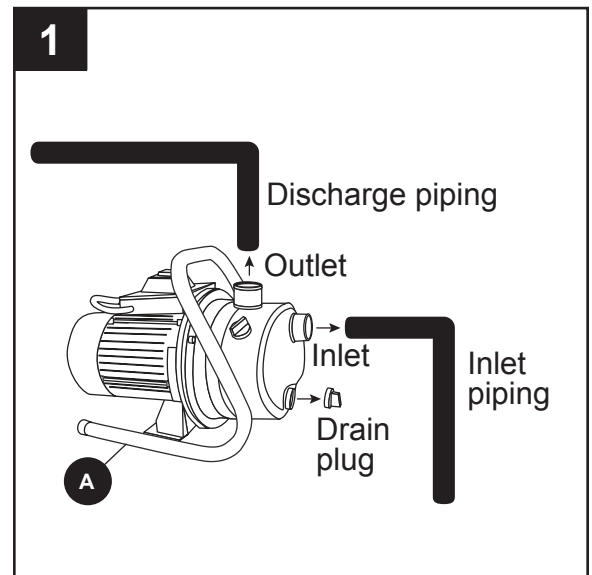
CARE AND MAINTENANCE

Maintain adequate ventilation for the pump motor. The motor bearings are permanently lubricated at the factory. Additional lubrication is not required.

DRAINING FOR WINTER

Always protect pump (A) and piping against freezing temperatures. If there is any danger of freezing, drain the system.

1. Disconnect inlet and discharge lines from pump (A).
2. Remove drain plug from lower front face of pump (A).
3. Drain all piping below the frost line, or store piping indoors.
4. Store pump (A) indoors.



TROUBLESHOOTING

PROBLEM	POSSIBLE CAUSE	CORRECTIVE ACTION
Motor will not run.	<ol style="list-style-type: none"> 1. Disconnect switch is off. 2. Fuse or circuit breaker is blown. 3. Starting switch is defective. 4. Wires at motor are loose, disconnected or wired incorrectly. <p>⚠️WARNING Capacitor voltage may be hazardous. To discharge capacitor, touch short capacitor terminals with an insulated screwdriver. BE SURE to hold handle of screwdriver while making contact with capacitor terminals.</p>	<ol style="list-style-type: none"> 1. Be sure switch is on. 2. Replace fuse or reset circuit breaker. 3. Replace starting switch. 4. Refer to wiring instructions. Check and tighten all wiring.
Motor runs hot and overload kicks off.	<ol style="list-style-type: none"> 1. Motor is wired incorrectly. 2. Voltage is too low. 3. Pump (A) enclosure is not properly vented. 4. Collapsed inlet hose. 	<ol style="list-style-type: none"> 1. Refer to wiring instructions. 2. Check with power company. Install heavier wiring if wire size is too small. 3. Be sure pump (A) has sufficient ventilation to cool the motor. 4. Replace with reinforced hose.
Motor runs but no water is delivered. NOTE: Check prime before looking for other causes. Un-screw priming plug and check for water in pump housing.	<ol style="list-style-type: none"> 1. NEW INSTALLATIONS - Pump (A) does not prime as a result of: <ol style="list-style-type: none"> a. Improper priming b. Air leaks c. Leaking foot valve 2. EXISTING INSTALLATIONS - Pump (A) does not prime as a result of: <ol style="list-style-type: none"> a. Air leaks b. Water level below inlet of pump (A) 3. Impeller is plugged. 4. Check valve or foot valve is stuck in closed position. 5. Pipes are frozen. 6. Foot valve and/or strainer are buried in sand or mud. 7. Collapsed inlet hose. 	<ol style="list-style-type: none"> 1. NEW INSTALLATIONS: <ol style="list-style-type: none"> a. Re-prime according to instructions. b. Check all connections on inlet line for leaks. c. Replace foot valve. 2. EXISTING INSTALLATIONS: <ol style="list-style-type: none"> a. Check all connections on inlet line and shaft seal. b. Lower inlet line into water and re-prime. 3. Clean impeller. 4. Replace check valve or foot valve. 5. Thaw pipes. Bury pipe below frost line. Protect pump (A) in a pit or pump house. 6. Raise foot valve and/or strainer above any sand or mud. 7. Replace with reinforced hose.

WARRANTY

This product is warranted for one year from the date of purchase or two years from the date of manufacture, whichever occurs first. Subject to the conditions hereinafter set forth, the manufacturer will repair or replace to the original consumer, any portion of the product which proves defective due to defective materials or workmanship. This warranty does not cover replacement parts for failure due to normal wear and tear. To obtain warranty service, contact the retailer from whom the product was purchased. The manufacturer retains the sole right and option to determine whether to repair or replace defective equipment, parts or components. Damage due to conditions beyond the control of the manufacturer is not covered by this warranty. For warranty questions or service, call 1-866-994-4148.

THIS WARRANTY WILL NOT APPLY: (a) To defects or malfunctions resulting from failure to properly install, operate or maintain the unit in accordance with printed instructions provided; (b) to failures resulting from abuse, accident or negligence; (c) to normal maintenance services and the parts used in connection with such service; (d) to units which are not installed in accordance with normal applicable local codes, ordinances and good trade practices; and (e) the unit is used for purposes other than for what it was designed and manufactured.

RETURN OF WARRANTED COMPONENTS: Any item to be repaired or replaced under this warranty must be returned to the manufacturer at such place as the manufacturer may designate, freight prepaid.

THE WARRANTY PROVIDED HEREIN IS IN LIEU OF ALL OTHER EXPRESS WARRANTIES, AND MAY NOT BE EXTENDED OR MODIFIED BY ANYONE. ANY IMPLIED WARRANTIES SHALL BE LIMITED TO THE PERIOD OF THE LIMITED WARRANTY AND THEREAFTER ALL SUCH IMPLIED WARRANTIES ARE DISCLAIMED AND EXCLUDED. THE MANUFACTURER SHALL NOT, UNDER ANY CIRCUMSTANCES, BE LIABLE FOR INCIDENTAL, CONSEQUENTIAL OR SPECIAL DAMAGES, SUCH AS, BUT NOT LIMITED TO DAMAGE TO, OR LOSS OF, OTHER PROPERTY OR EQUIPMENT, LOSS OF PROFITS, INCONVENIENCE, OR OTHER INCIDENTAL OR CONSEQUENTIAL DAMAGES OF ANY TYPE OR NATURE. THE LIABILITY OF THE MANUFACTURER SHALL NOT EXCEED THE PRICE OF THE PRODUCT UPON WHICH SUCH LIABILITY IS BASED.

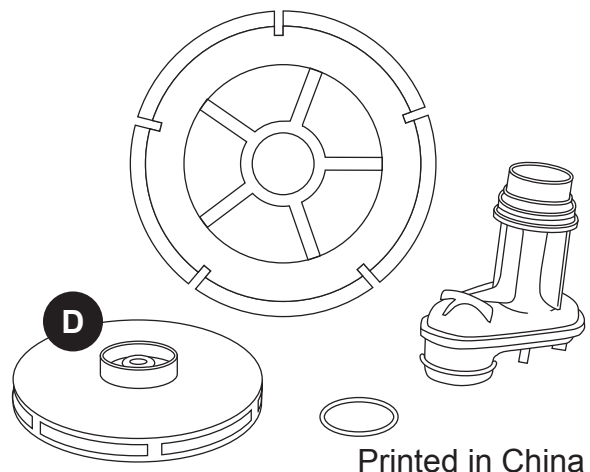
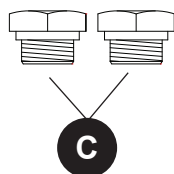
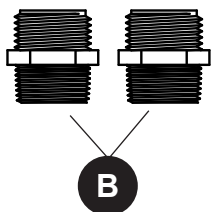
This warranty gives you specific legal rights, and you may have other rights which vary from state to state. Some states do not allow limitations on duration of implied warranties or exclusion of incidental or consequential damages, so the above limitations may not apply to you.

In those instances where damages are incurred as a result of an alleged pump failure, the Homeowner must retain possession of the pump for investigation purposes.

REPLACEMENT PARTS LIST

There are no warranty replacement parts available for this product. For non-warranty replacement parts listed below, call our customer service department at 1-866-994-4148, 7:30 a.m. - 5:00 p.m., EST, Monday - Friday.

PART	DESCRIPTION	PART #
B	Garden Hose Adapters	025061
C	Drain Plug and Priming Plug	025062
D	Impeller, Diffuser, Nozzle Kit	024609

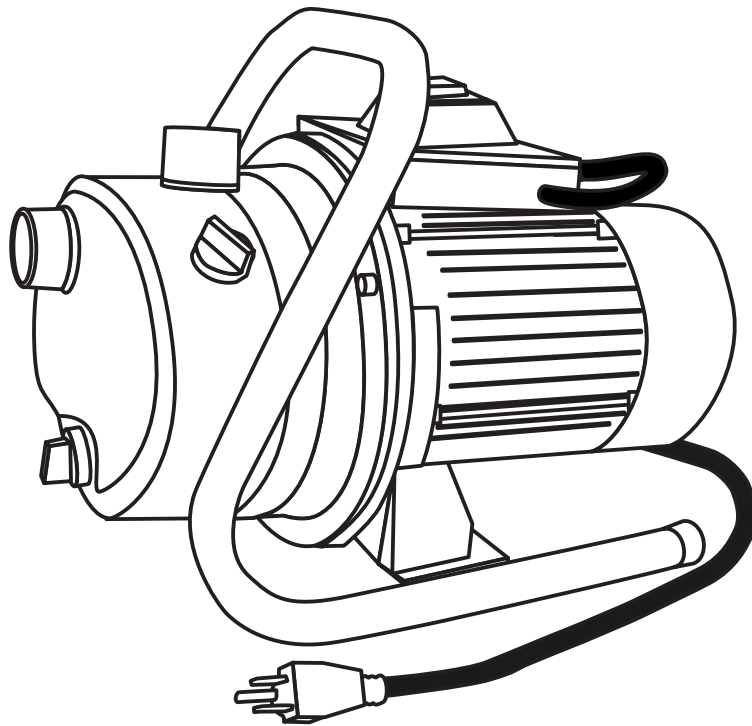




ARTÍCULO #0955585

BOMBA REFORZADORA PARA USO GENERAL

MODELO #148008



ADJUNTE SU RECIBO AQUÍ

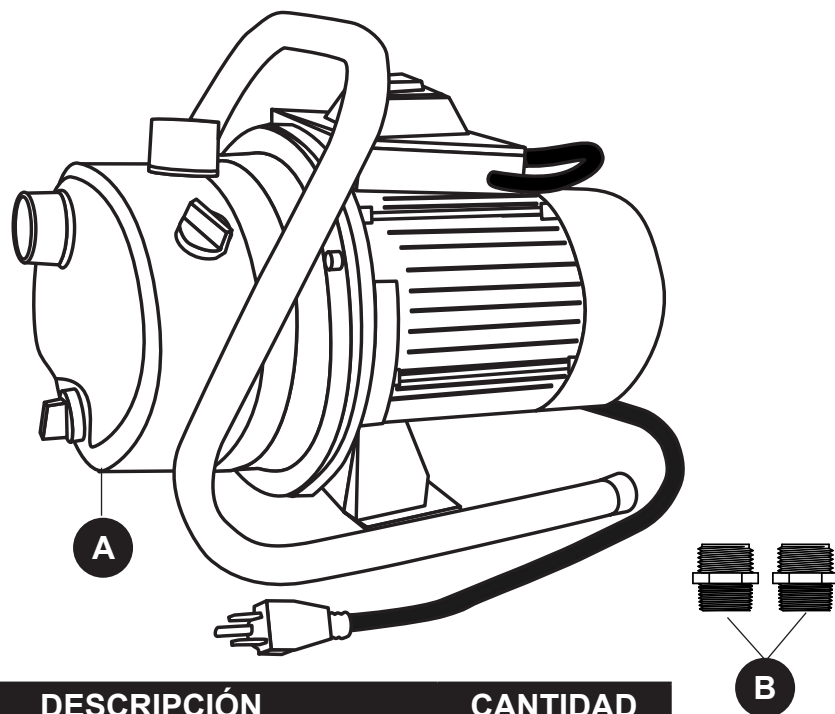
Número de serie _____ Fecha de compra _____



¿Preguntas, problemas, piezas faltantes? Antes de volver a la tienda, llame a nuestro Departamento de Servicio al Cliente al 1- 866-994-4148, de lunes a viernes de 7:30 a.m. a 5:00 p.m., hora estándar del Este.

SW116S B

CONTENIDO DEL PAQUETE



PIEZA	DESCRIPCIÓN	CANTIDAD
A	Bomba	1
B	Adaptadores de manguera para jardín	2

! INFORMACIÓN DE SEGURIDAD

Lea y comprenda completamente este manual antes de intentar ensamblar, usar o instalar el producto.

NOTA: Las bombas con la marca “UL” y con la marca “US” se prueban para cumplir con los estándares UL778 de UL. Las bombas con certificación CSA cumplen con el estándar CSA C22.2 No. 108. (CUS.)

! PELIGRO

• PELIGRO DE DESCARGA ELÉCTRICA.

Esta bomba no es sumergible. Mantenga el motor seco en todo momento. No lave el motor. No sumerja la bomba en agua. Proteja al motor del clima húmedo. No permita que ninguna parte del cable ni los extremos del tomacorriente se apoyen en el agua ni en lugares húmedos. No seguir estas instrucciones puede provocar la muerte, lesiones graves o daños a la propiedad.

• PELIGRO DE INCENDIO O EXPLOSIÓN.

Bombear solo agua limpia. No bombee líquidos inflamables o explosivos, como gasolina, gasoil, queroseno, etc. No la utilice en una atmósfera inflamable o explosiva. No seguir estas instrucciones puede provocar la muerte, lesiones graves o daños a la propiedad.

• RIESGO DE DESCARGA ELÉCTRICA.

No se ha verificado el uso de estas bombas en piscinas.

• RIESGO DE DESCARGA ELÉCTRICA.

Desconecte siempre la fuente de alimentación antes de intentar instalar, reparar o realizarle mantenimiento a la bomba. Nunca manipule una bomba con las manos mojadas ni cuando esté parado sobre una superficie húmeda o en el agua. Podría ocurrir una descarga eléctrica fatal.



ADVERTENCIA

- **ALERTA DE DESCARGA ELÉCTRICA.**

Antes de instalar este producto, haga que un electricista revise su circuito para asegurarse de que la puesta a tierra sea adecuada. Todas las instalaciones eléctricas deben cumplir con el Código Nacional de Electricidad (NEC, por sus siglas en inglés) y con todos los códigos locales.

- **ALERTA DE DESCARGA ELÉCTRICA.**

Conecte este producto a un circuito de 115 voltios con la debida puesta a tierra, equipado con un interruptor de circuito de falla de puesta a tierra (GFCI, por sus siglas en inglés).

- **ALERTA DE DESCARGA ELÉCTRICA.**

No manipule la bomba o el motor de la bomba con las manos húmedas ni cuando esté parado en una superficie húmeda o en el agua.

- **ALERTA DE DESCARGA ELÉCTRICA.**

Estas bombas se suministran con un enchufe de 3 clavijas con puesta a tierra para ayudar a protegerlo contra la posibilidad de descargas eléctricas. **NO RETIRE LA CLAVIJA DE PUESTA A TIERRA BAJO NINGUNA CIRCUNSTANCIA.**

- **ALERTA DE DESCARGA ELÉCTRICA.**

Esta bomba no está diseñada para instalarse permanentemente en exteriores. Proteja la bomba del calor, el frío y la humedad extremos. Esta bomba no es resistente al agua ni está diseñada para usarse en duchas, saunas u otros lugares húmedos. El motor está diseñado para usarse en un lugar limpio y seco, con acceso a un suministro suficiente de aire refrigerante. La temperatura ambiente alrededor del motor no debe exceder los 40 °C (104 °F).

- **ALERTA DE DESCARGA ELÉCTRICA.**

ASEGÚRESE de que la fuente de alimentación de la bomba esté desconectada antes de instalar o reparar la bomba.

- **ALERTA DE DESCARGA ELÉCTRICA.**

Proteja el cable eléctrico de objetos afilados, superficies calientes, aceite y sustancias químicas. Evite torcer el cable. Reemplace o repare inmediatamente los cables dañados o desgastados.

- **ALERTA SOBRE PRODUCTOS QUÍMICOS.**

Este producto contiene productos químicos reconocidos por el estado de California como causantes de cáncer y defectos congénitos u otros daños en el aparato reproductivo.

- **ALERTA DE LESIONES PERSONALES O DAÑOS EN EL PRODUCTO.**

- Proporcione un medio de descarga de presión por si la descarga de la bomba se pudiera cerrar u obstruir. Las bombas que funcionan con una descarga cerrada pueden crear líquidos calientes, los que pueden causar quemaduras.

- **ALERTA DE LESIONES PERSONALES.** Esta bomba está equipada con una sobrecarga térmica automática y se puede reiniciar sin advertencia.

- **ALERTA DE LESIONES PERSONALES.**

No toque el motor cuando esté en funcionamiento y permita que el motor se enfríe antes de tocarlo después del funcionamiento. El motor está diseñado para funcionar a temperaturas altas.

PRECAUCIÓN

- **PODRÍAN PRODUCIRSE LESIONES PERSONALES O DAÑOS EN EL PRODUCTO.**
Esta bomba funciona con 115 voltios. Asegúrese de que la fuente de alimentación cumpla con los requisitos de su equipo.
- **PODRÍAN PRODUCIRSE DAÑOS EN EL PRODUCTO.**
La temperatura máxima del líquido bombeado no debe exceder los 40 °C (120 °F). La temperatura mínima permitida es 4 °C (40 °F).
- **PODRÍAN PRODUCIRSE DAÑOS EN EL PRODUCTO.**
Asegúrese de que el suministro de agua y la tubería no tengan arena, suciedad ni sarro. La suciedad obstruirá la bomba, lo que anulará la garantía. Use una malla o un colador en la entrada para impedir que los desechos ingresen a la bomba.
- **PODRÍAN PRODUCIRSE DAÑOS EN EL PRODUCTO.**
Si no protege la bomba y la tubería del congelamiento, se provocarán daños y se anulará la garantía.
- **PODRÍAN PRODUCIRSE DAÑOS EN EL PRODUCTO.**
No haga funcionar la bomba en seco. Se producirán daños en el impulsor y el sello.
- **PODRÍAN PRODUCIRSE DAÑOS EN LA PROPIEDAD.**
Drene todo el líquido del sistema antes de realizar mantenimiento o almacenar la bomba.
- **PODRÍAN PRODUCIRSE LESIONES PERSONALES O DAÑOS EN LA PROPIEDAD.**
Asegúrese de que la manguera de descarga esté segura antes de arrancar la bomba. Una manguera de descarga suelta puede producir azotes y causar lesiones personales o daños en la propiedad.
- **PODRÍAN PRODUCIRSE DAÑOS EN LA PROPIEDAD.**
No use este producto sin supervisión.
- **PODRÍAN PRODUCIRSE DAÑOS EN LA PROPIEDAD.**
Inspeccione las mangueras en búsqueda de áreas desgastadas antes de usarlas y asegúrese de que todas las conexiones estén bien apretadas.
- **PODRÍAN PRODUCIRSE DAÑOS EN EL PRODUCTO.**
Esta bomba fue diseñada solo para bombear agua. No se ha probado su uso para bombear productos químicos. Inspeccione las mangueras en búsqueda de áreas desgastadas antes de usarlas y asegúrese de que todas las conexiones estén bien apretadas.
- **PODRÍAN PRODUCIRSE DAÑOS EN EL PRODUCTO.**
Revise de manera regular que la bomba no presente daños y realícele mantenimiento de rutina cuando sea necesario.

PREPARACIÓN

Antes de comenzar a instalar el producto, asegúrese de tener todas las piezas. Compare las piezas con la lista del contenido del paquete. No intente ensamblar el producto si falta alguna pieza o si estas están dañadas.

Tiempo de instalación estimado: 10 minutos.

Herramientas que puede requerir para el ensamblaje: llave sueca, sellador para tubo seguro de PVC o cinta selladora para roscas.

INFORMACIÓN GENERAL DE LA BOMBA

Esta bomba está diseñada para rociar céspedes y jardines pequeños desde lagos, estanques o ríos, vaciar o llenar tanques de acopio, retirar el agua estancada de áreas inundadas, transferir agua o aumentar la presión del agua. Nunca se deben usar líquidos inflamables como gasolina, químicos o líquidos corrosivos con esta bomba.

La bomba NO fue diseñada para usarse bajo el agua.

INSTALACIÓN

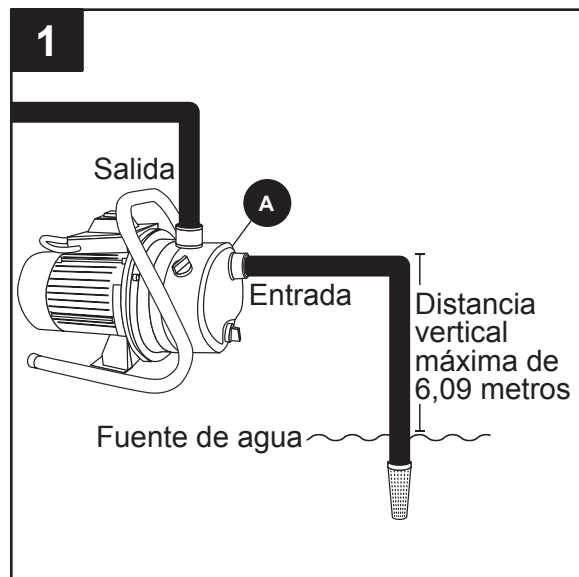
1. Antes de instalar la bomba (A), haga que un electricista revise su circuito eléctrico para asegurarse de que la puesta a tierra sea adecuada.
ASEGÚRESE de que la fuente de alimentación de la bomba (A) esté desconectada antes de instalar o reparar la unidad.
Asegúrese de que el suministro de agua y la tubería no tengan arena, suciedad ni sarro. La suciedad obstruirá la bomba (A) y anulará la garantía.
Si no protege la bomba (A) y la tubería del congelamiento, se podrían producir daños graves y se anulará la garantía.
No haga funcionar la bomba (A) en seco.

INSTRUCCIONES DE INSTALACIÓN

BOMBEO DE LAGOS, ESTANQUES O ARROYOS PEQUEÑOS

1. Coloque la bomba (A) lo más cerca posible de la fuente de agua, manteniendo la menor distancia vertical posible desde el agua hacia la bomba, a no más de 6,09 metros. Coloque la bomba (A) en un soporte nivelado. Protéjala de las inundaciones y la humedad excesiva.

Las longitudes largas del tubo o de la manguera y el uso de muchos conectores reducirán la cantidad de agua que bombeará la unidad. Use la menor cantidad de conectores y las longitudes más cortas posibles del tubo o de la manguera.

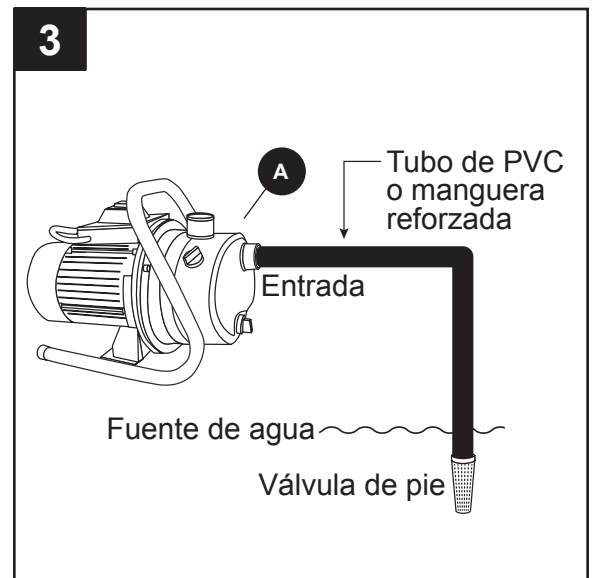
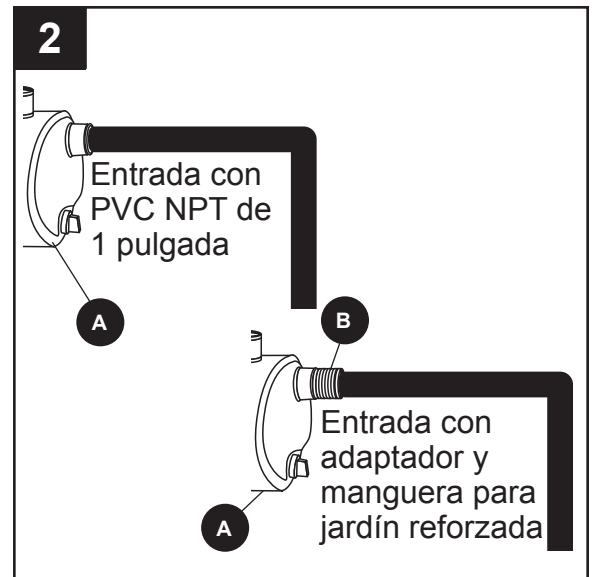


- La conexión de entrada de la bomba (A) está diseñada para una rosca NPT de 1 pulgada. Puede conectarla a la entrada con el PVC NPT de 1 pulgada o la manguera para jardín. Para las conexiones de la manguera para jardín, coloque un adaptador roscado (B) en la entrada. Selle las conexiones con sellador para tubo seguro de PVC o cinta selladora para roscas.

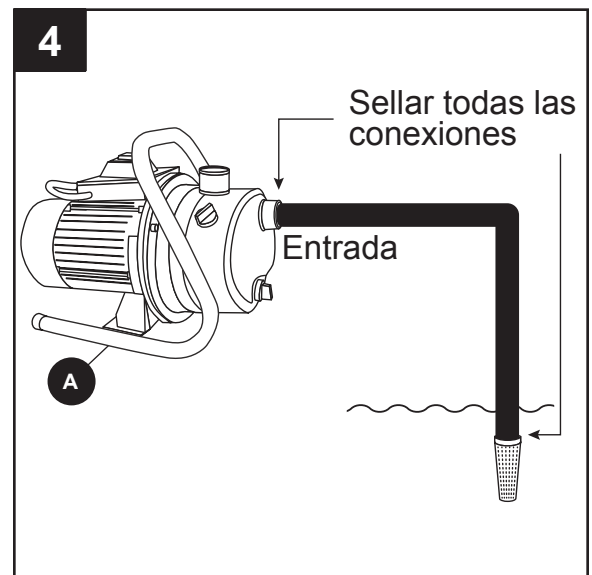
NOTA: minimice la longitud del tubo y la cantidad de conexiones.

NOTA: la manguera de entrada debe ser reforzada al bombear de lagos, estanques o arroyos pequeños. Una manguera para jardín común colapsará y provocará una falla en la bomba (A). La tubería de entrada debe ser del mismo diámetro que la tubería de descarga o más grande.

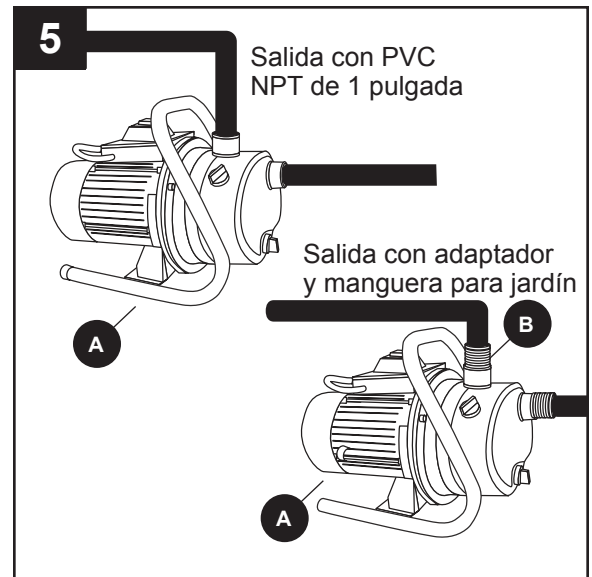
- Fije la manguera para jardín al adaptador (B) o conecte el tubo de PVC de 1 pulgada directamente a la entrada de la bomba (A). Se debe instalar una válvula de pie con colador (no incluida) en el extremo de la manguera o del tubo de descarga para mantener el cebado durante el funcionamiento.



- Selle todas las conexiones en la manguera de entrada con sellador para tubo seguro de PVC o cinta selladora para roscas (no se incluyen). Una fuga de aire en los conectores, la manguera, el tubo o las conexiones disminuirá el rendimiento de la bomba (A) y hará que esta falle.



5. Conecte el tubo NPT de 1 pulgada o la manguera para jardín a la descarga de la bomba (A). Para las conexiones de la manguera para jardín, coloque un adaptador roscado (B) a la descarga antes de conectar la manguera.

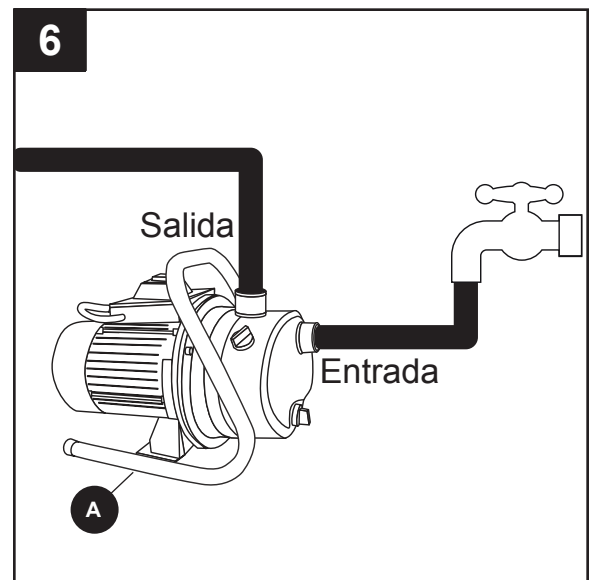


AUMENTO DE LA PRESIÓN DEL AGUA

6. Conecte el tubo NPT de 1 pulgada o la manguera para jardín a la bomba (A), como en el paso 2. Conecte el otro extremo de la tubería de entrada al suministro de agua, como un grifo.

Conecte el tubo o la manguera de salida a la bomba (A).

⚠ PRECAUCIÓN No haga funcionar la bomba (A) con el tubo de salida o la boquilla cerrados. La manguera puede explotar si hay presión excesiva. Use solo mangueras o tubos para alta presión reforzados para el tubo de salida cuando aumente la presión del agua.



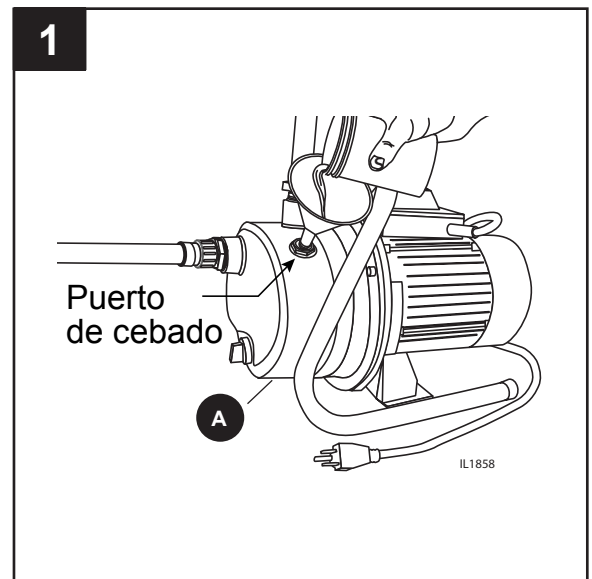
PRESIÓN DE DESCARGA (PSI)	GALONES POR HORA
5	800
10	700
17	600
25	500
30	400
40	200
50	100

Suministro de electricidad necesario	115 voltios, 60 Hz
Temperatura máxima del agua	40 °C (104 °F)
Se requiere circuito de derivación individual	15 A mínimo
Conexión de descarga	NPT de 1 pulgada
Conexión de entrada	NPT de 1 pulgada
Clasificación de profundidad de agua	Máximo de 7,62 metros

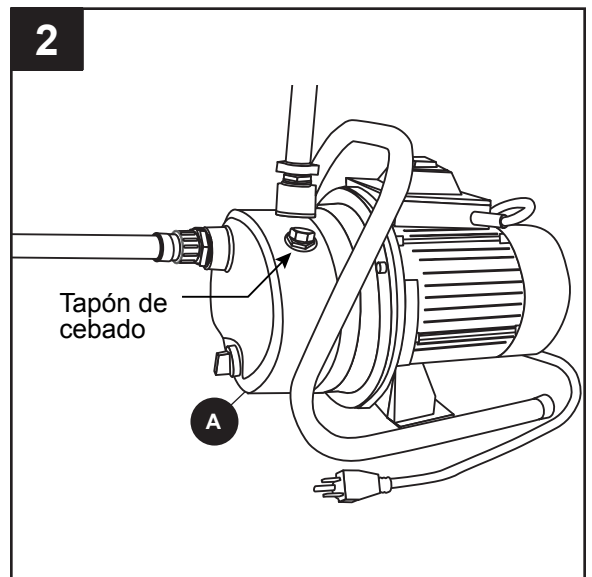
INSTRUCCIONES DE FUNCIONAMIENTO

1. Retire el tapón de cebado de la bomba (A) y llene con agua.

⚠ PRECAUCIÓN Nunca haga funcionar la bomba (A) en seco. Si hace funcionar la bomba sin agua, se puede producir una falla en el sellado. Llene la bomba (A) con agua antes de arrancarla, a menos que se use para aumentar la presión.
NOTA: para aumentar la presión del agua: no retire el tapón de cebado. Abra el suministro de agua (consulte el paso 6 en INSTRUCCIONES DE INSTALACIÓN).



2. Vuelva a instalar el tapón de cebado en la bomba (A).



3. Coloque el interruptor de la bomba (A) en la posición de apagado y conecte el cable eléctrico al tomacorriente GFCI.

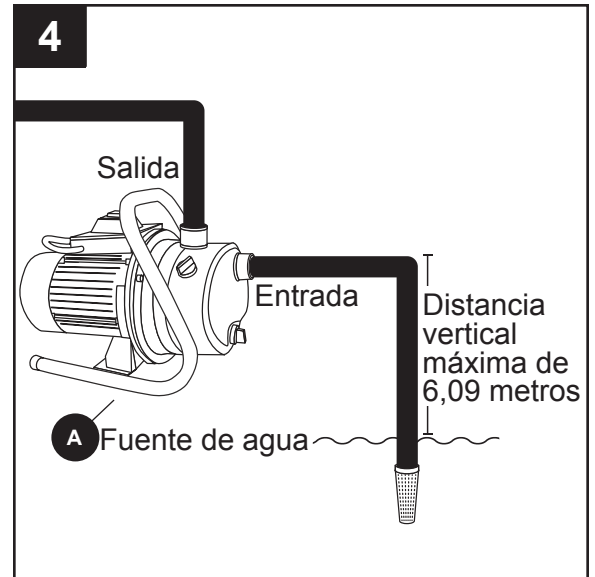
NOTA: la bomba (A) es solo para usarse en un servicio de 120 voltios (de fase única), 60 Hz, 15 amperes, y está equipada con un cable conductor y un enchufe con puesta a tierra de 3 clavijas.

⚠ ADVERTENCIA Para disminuir el riesgo de descargas eléctricas fatales, utilice un receptáculo con puesta a tierra. Nunca corte la clavija redonda de puesta a tierra en el cable eléctrico. Cortar el cable o el enchufe hará que la bomba (A) sea insegura para hacerla funcionar y anulará la garantía.



4. Coloque el interruptor de la bomba (A) en la posición de encendido. Si la bomba no bombea agua dentro de los 5 minutos, apague la bomba (A) y repita los pasos 1 a 4. Revise lo siguiente:

- La distancia vertical de la bomba (A) al nivel del agua no debe superar los 6,09 metros.
- La tubería de entrada debe estar cerrada herméticamente.
- Todas las válvulas en la tubería de entrada y de descarga deben estar abiertas.



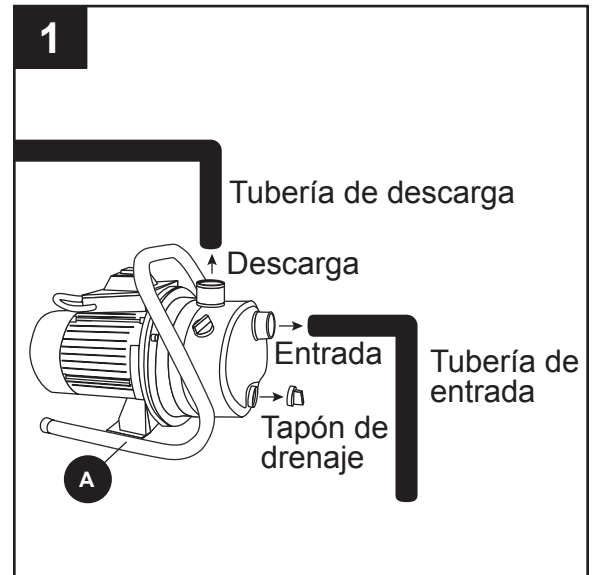
CUIDADO Y MANTENIMIENTO

Mantenga una ventilación suficiente para el motor de la bomba. Los cojinetes del motor se lubrican permanentemente en la fábrica. No se necesita lubricación adicional.

DRENADO PARA EL INVIERNO

Proteja siempre la bomba (A) y la tubería contra temperaturas bajo cero. Si existe algún peligro de congelamiento, drene el sistema.

1. Desconecte las tuberías de entrada y de descarga de la bomba (A).
2. Retire el tapón de drenaje ubicado en la parte inferior frontal de la bomba (A).
3. Drene todas las tuberías a menos de la línea de congelamiento o almacene las tuberías en interiores.
4. Almacene la bomba (A) en interiores.



SOLUCIÓN DE PROBLEMAS

PROBLEMA	CAUSA POSIBLE	ACCIÓN CORRECTIVA
El motor no funciona.	<ol style="list-style-type: none"> 1. El interruptor de desconexión está apagado. 2. El fusible o el interruptor de circuito están fundidos. 3. El interruptor de arranque está dañado. 4. Los cables del motor están sueltos, desconectados o cableados incorrectamente. <p>▲ ADVERTENCIA El voltaje del capacitor puede ser peligroso. Para descargar el capacitor, toque los terminales del capacitor cortos con un destornillador aislante. ASEGÚRESE de sostener la manija del destornillador cuando haga contacto con los terminales del capacitor.</p>	<ol style="list-style-type: none"> 1. Asegúrese de que el interruptor esté encendido. 2. Reemplace el fusible o restablezca el interruptor de circuito. 3. Reemplace el interruptor de arranque. 4. Consulte las instrucciones de cableado. Revise y ajuste todo el cableado.
El motor se calienta y arranca muchas veces.	<ol style="list-style-type: none"> 1. El motor está incorrectamente cableado. 2. El voltaje es demasiado bajo. 3. El compartimiento de la bomba (A) no está bien ventilado. 4. Manguera de entrada contraída. 	<ol style="list-style-type: none"> 1. Consulte las instrucciones de cableado. 2. Verifique con la empresa de energía. Instale un cableado más pesado si el tamaño del cable es demasiado pequeño. 3. Asegúrese de que la bomba (A) tenga suficiente ventilación para enfriar el motor. 4. Reemplace con una manguera reforzada.
<p>El motor funciona pero no sale agua.</p> <p>NOTA: verifique el cebado antes de buscar otras causas. Desatornille el tapón de cebado y verifique si hay agua en la carcasa de la bomba.</p>	<ol style="list-style-type: none"> 1. INSTALACIONES NUEVAS: la bomba (A) no ceba como resultado de lo siguiente: <ol style="list-style-type: none"> a. cebado incorrecto b. fugas de aire c. válvula de pie con fugas 2. INSTALACIONES EXISTENTES: la bomba (A) no ceba como resultado de lo siguiente: <ol style="list-style-type: none"> a. fugas de aire b. nivel de agua por debajo de la entrada de la bomba (A) 3. El impulsor está tapado. 4. La válvula de retención o la válvula de pie están atascadas en la posición cerrada. 5. Las tuberías están congeladas. 6. La válvula de pie o el colador están enterados en arena o barro. 7. Manguera de entrada contraída. 	<ol style="list-style-type: none"> 1. INSTALACIONES NUEVAS <ol style="list-style-type: none"> a. Vuelva a cebar de acuerdo con las instrucciones. b. Revise todas las conexiones de la tubería de entrada para detectar fugas. c. Reemplace la válvula de pie. 2. INSTALACIONES EXISTENTES: <ol style="list-style-type: none"> a. Revise todas las conexiones de la tubería de entrada y del sello del eje. b. Baje la tubería de entrada al nivel del agua y vuelva a cebar. 3. Limpie el impulsor. 4. Reemplace la válvula de retención o la válvula de pie. 5. Descongele las tuberías. Entierre la tubería debajo de la línea de congelación. Proteja la bomba (A) en una fosa o en una caseta para bomba. 6. Levante la válvula de pie o el colador por encima de la arena o del barro. 7. Reemplace con una manguera reforzada.

GARANTÍA

Este producto cuenta con una garantía de un año a contar de la fecha de compra, o de dos años a contar de la fecha de fabricación, lo que ocurra primero. Sujeto a las condiciones establecidas en el presente, el fabricante reparará o reemplazará, para el consumidor original, cualquier parte del producto que se compruebe que está defectuosa debido a defectos en los materiales o la mano de obra. Esta garantía no cubre las piezas de repuesto por falla debido a desgaste normal. Para obtener los servicios de garantía, póngase en contacto con el vendedor minorista donde adquirió el producto. El fabricante se reserva el derecho y la opción exclusivos de determinar la reparación o el reemplazo de equipos, piezas o componentes defectuosos. Los daños causados por condiciones que escapen del control del fabricante no están cubiertos por esta garantía. Para realizar preguntas u obtener el servicio de garantía, llame al 1-866-994-4148. ESTA GARANTÍA NO SE APLICARÁ: (a) a defectos o mal funcionamiento como resultado de una falla en la instalación, operación o mantenimiento de la unidad según lo indicado en las instrucciones impresas provistas; (b) a fallas resultantes debido al mal uso, accidente o negligencia; (c) a los servicios de mantenimiento normativos y las piezas utilizadas en conexión con dichos servicios; (d) a unidades que no se instalaron según los códigos normativos locales, las ordenanzas o las buenas prácticas comerciales aplicables; y (e) si la unidad se utiliza para fines para los cuales no está destinada ni fabricada.

DEVOLUCIÓN DE LOS COMPONENTES EN GARANTÍA: cualquier artículo a reparar o reemplazar bajo esta garantía debe devolverse al fabricante al lugar designado por este, con flete prepagado.

LA GARANTÍA QUE SE PROPORCIONA EN EL PRESENTE REEMPLAZA A TODAS LAS DEMÁS GARANTÍAS EXPLÍCITAS Y NO PUEDE SER EXTENDIDA NI MODIFICADA POR NADIE. CUALQUIER GARANTÍA IMPLÍCITA ESTARÁ LIMITADA AL PERÍODO DE LA GARANTÍA LIMITADA Y, POR CONSIGUIENTE, SE RECHAZAN Y SE EXCLUYEN TODAS DICHAS GARANTÍAS IMPLÍCITAS. BAJO NINGUNA CIRCUNSTANCIA, EL FABRICANTE SERÁ RESPONSABLE DE DAÑOS ACCIDENTALES, RESULTANTES O ESPECIALES, INCLUIDOS, ENTRE OTROS, LOS DAÑOS A LA PROPIEDAD O AL EQUIPO, O LA PÉRDIDA DE ESTOS, LA PÉRDIDA DE GANANCIAS, INCONVENIENTES U OTROS DAÑOS ACCIDENTALES O RESULTANTES DE CUALQUIER TIPO O NATURALEZA. LA RESPONSABILIDAD DEL FABRICANTE NO SUPERARÁ EL PRECIO DEL PRODUCTO SOBRE EL CUAL SE BASA DICHA RESPONSABILIDAD.

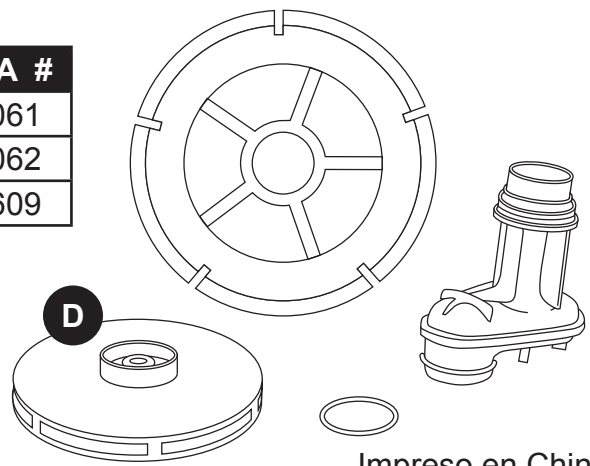
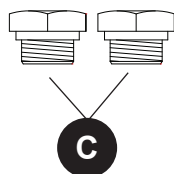
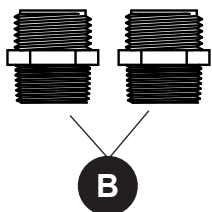
Esta garantía le otorga derechos legales específicos, pero usted podría tener otros derechos que varían según el estado. Algunos estados no permiten las limitaciones sobre la duración de las garantías implícitas, o la exclusión de los daños accidentales o resultantes, de modo que las limitaciones mencionadas anteriormente podrían no aplicarse en su caso.

En aquellas instancias en que haya daños causados por una presunta falla de la bomba, el propietario deberá conservar la bomba a fin de investigar dicha falla.

LISTA DE PIEZAS DE REPUESTO

No hay piezas de repuesto en garantía disponibles para este producto. Para las piezas de repuesto no amparadas por la garantía que se mencionan a continuación, llame a nuestro Departamento de Servicio al Cliente al 1-866-994-4148, de lunes a viernes de 7:30 a. m. a 5:00 p. m., hora estándar del Este.

PIEZA	DESCRIPCIÓN	PIEZA #
B	Adaptadores de manguera para jardín	025061
C	Tapón de drenaje y tapón de cebado	025062
D	Impulsor, difusor, kit de boquillas	024609



Impreso en China