



Profile Island Chimney Vent Hood

Safety Instructions 2, 3

Operating Instructions

Light Controls 4

Vent Controls 4

Care and Cleaning

Grease Filters 5

Hood Lights 6

Stainless Steel Surfaces 6

Installation Instructions

Installation Preparation 7-15

Vented to the Outside 16-20

Recirculating 21-26

Troubleshooting Tips 27, 28

Consumer Support

Consumer Support 30

Warranty 29

**Owner's Manual and
Installation Instructions**

PV977

Write the model and serial numbers here:

Model # _____

Serial # _____

You can find them on a label on the inside of the hood.

IMPORTANT SAFETY INFORMATION. READ ALL INSTRUCTIONS BEFORE USING.



SAFETY PRECAUTIONS

⚠ WARNING – TO REDUCE THE RISK OF FIRE, ELECTRIC SHOCK OR INJURY TO PERSONS, OBSERVE THE FOLLOWING:

- A. Use this unit only in the manner intended by the manufacturer. If you have questions, contact the manufacturer.
- B. Before servicing or cleaning unit, switch power off at service panel and lock the service disconnecting means to prevent power from being switched on accidentally. When the service disconnecting means cannot be locked, securely fasten a prominent warning device, such as a tag, to the service panel.
- C. Do not use this unit with any solid-state speed control device.
- D. This unit must be grounded.

⚠ CAUTION – *For general ventilating use only. Do not use to exhaust hazardous or explosive materials and vapors.*

⚠ CAUTION – *To reduce risk of fire and to properly exhaust air, be sure to duct air outside. Do not vent exhaust air into spaces within walls or ceilings or into attics, crawl spaces or garages.*

⚠ WARNING – TO REDUCE THE RISK OF INJURY TO PERSONS IN THE EVENT OF A RANGE TOP GREASE FIRE, OBSERVE THE FOLLOWING*:

- A. SMOTHER FLAMES with a close-fitting lid, cookie sheet or metal tray, then turn off the burner. BE CAREFUL TO PREVENT BURNS. If the flames do not go out immediately, EVACUATE AND CALL THE FIRE DEPARTMENT.
- B. NEVER PICK UP A FLAMING PAN— You may be burned.
- C. DO NOT USE WATER, including wet dishcloths or towels—a violent steam explosion will result.
- D. Use an extinguisher ONLY if:
 1. You know you have a Class ABC extinguisher, and you already know how to operate it.
 2. The fire is small and contained in the area where it started.
 3. The fire department is being called.
 4. You can fight the fire with your back to an exit.

* Based on "Kitchen Fire Safety Tips" published by NFPA.



SAFETY PRECAUTIONS

⚠ WARNING – TO REDUCE THE RISK OF A RANGE TOP GREASE FIRE:

- A. Never leave surface units unattended at high settings. Boilovers cause smoking and greasy spillovers that may ignite. Heat oils slowly on low or medium settings.
- B. Always turn hood **ON** when cooking on high heat or when flambéing food (i.e. Crepes Suzette, Cherries Jubilee, Peppercorn Beef Flambé).
- C. Clean ventilating fans frequently. Grease should not be allowed to accumulate on fan or filter.
- D. Use proper pan size. Always use cookware appropriate for the size of the surface element.

⚠ WARNING – TO REDUCE THE RISK OF FIRE, ELECTRIC SHOCK OR INJURY TO PERSONS, OBSERVE THE FOLLOWING:

- A. Installation work and electrical wiring must be done by qualified person(s) in accordance with all applicable codes and standards, including fire-rated construction.
- B. Sufficient air is needed for proper combustion and exhausting of gases through the flue (chimney) of fuel burning equipment to prevent back drafting. Follow the heating equipment manufacturer's guidelines and safety standards, such as those published by the National Fire Protection Association (NFPA), the American Society for Heating, Refrigeration and Air Conditioning Engineers (ASHRAE) and the local code authorities.
- C. When cutting or drilling into wall or ceiling, do not damage electrical wiring and other hidden utilities.
- D. Ducted fans must always be vented to the outdoors.

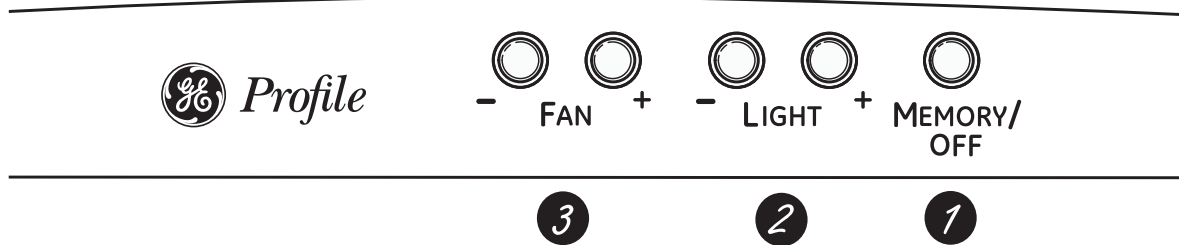
⚠ WARNING – TO REDUCE THE RISK OF FIRE, USE ONLY METAL DUCTWORK.

- Do not attempt to repair or replace any part of your hood unless it is specifically recommended in this manual. All other servicing should be referred to a qualified technician.



**READ AND FOLLOW THIS SAFETY INFORMATION CAREFULLY.
READ AND SAVE THESE INSTRUCTIONS**

Using the hood controls.



- 1 MEMORY/OFF.** To set the memory:
- Press the **MEMORY/OFF** button.
 - Set your desired fan and light settings.
 - Press the **MEMORY/OFF** button again to save these settings.

With your desired settings in memory, press the **MEMORY/OFF** button to restore the fan and light levels to their saved settings. These settings will remain in memory until they are changed or loss of power occurs.

To turn off the hood, press the MEMORY/OFF button.

- 2 LIGHT.** Press + or – to increase or decrease light level to desired setting. There are 2 light levels (**LOW, HIGH**) and **OFF**. If you continue to press the + or – buttons, the light will cycle back through the settings.

NOTE: Please check the lamps to ensure only 20W lamps (maximum) are installed.

- 3 FAN.** Press + or – to increase or decrease fan level to your desired setting. There are 4 fan levels (**LOW, MED, HIGH, BOOST**) and **OFF**. If you continue to press the + or – buttons, the fan will cycle back through the settings.

NOTE: There is an audible “beep” each time a button is pressed. This is normal.

NOTE: The collars around the buttons will illuminate when pressed. This is normal. The collars will automatically turn off if the hood is turned off.

HEAT SENSOR:

This hood is equipped with a heat sensor that will turn on the fan if excessive temperatures are detected (over 70°C/158°F) above the cooking surface. The hood will return to its normal operation once the heat sensor detects temperatures below 60°C/140°F.

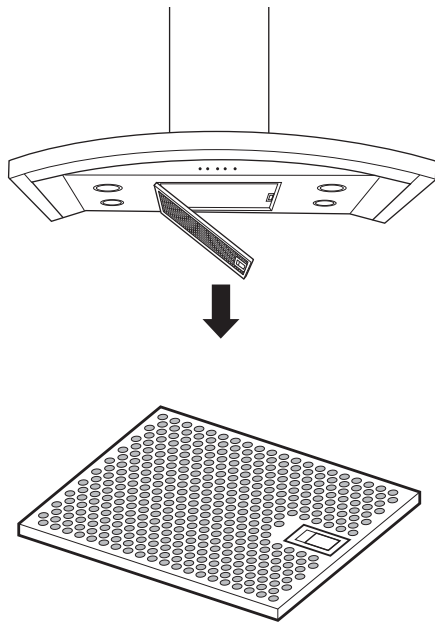
NOTE: If the hood is **OFF** or on **LOW** fan speed, the temperatures above 70°C/158°F are detected; then the fan will automatically adjust to **MED** speed. You may adjust the fan speed to **HIGH** or **BOOST**, but you will not be able to adjust the fan speed to **LOW** or **OFF** until temperatures below 60°C/140°F are detected.

NOTE: The collars around the buttons may not illuminate if the heat sensor is activated. This is normal.

Care and cleaning of the vent hood.

ge.com

Be sure electrical power is off and all surfaces are cool before cleaning or servicing any part of the vent hood.



Metal Grease Filter

The metal filter traps grease released by foods from the cooktop. The filter also helps prevent flames (from food, grease) from damaging the inside of the hood.

For this reason, the filter must ALWAYS be in place when the hood is in use. The grease filter is dishwasher-safe and should be cleaned every 6 months, or as needed.

To remove:

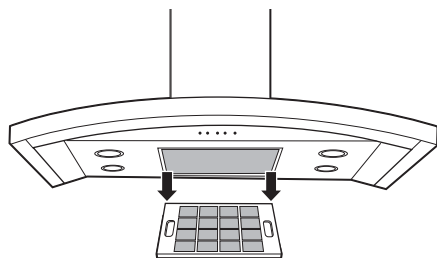
Pull downward on the filter lock to release the filter.

To replace:

Fit the tabs at the end of the filter into the slots in left side of the filter opening. Lift up the right side of the filter and push gently until the filter locks into place. Make sure the filter lock is in the closed position to secure the filter.

To clean, swish the filter in hot soapy water and rinse in clean water or wash it in the dishwasher. Do not use abrasive cleansers.

NOTE: Some discoloration will occur in the dishwasher.



Charcoal Filter

For recirculating installation only

If the model is not vented to the outside, the air will be recirculated through a disposable charcoal filter that helps remove smoke and odors.

The charcoal filter should be replaced when it is noticeably dirty or discolored (usually after 6 to 12 months, depending on hood usage).

NOTE: DO NOT rinse, or put charcoal filter in an automatic dishwasher.

The charcoal filter cannot be cleaned. It must be replaced.

Order Charcoal Filter WB02X11348.

To inquire about purchasing replacement charcoal filters or to find the location of a dealer nearest you, please call our toll-free number:

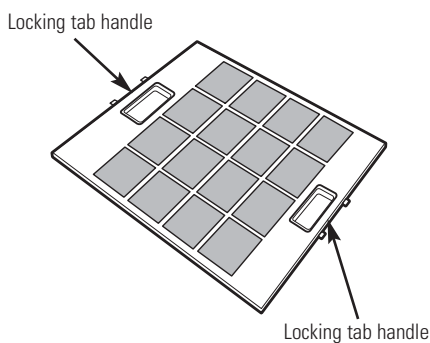
**National Parts Center
800.626.2002**

To remove:

1. Remove the metal filter—see *Metal grease filter* section.
2. Remove the charcoal filter by pushing in on both locking tab handles to release.

To replace:

1. Insert the charcoal filter into the opening. Push the locking tab handles toward the center and release to engage the locking tabs.
2. Replace the metal filter—see *Metal grease filter* section.



Care and cleaning of the vent hood.

Be sure electrical power is off and all surfaces are cool before cleaning or servicing any part of the vent hood.

Stainless Steel Surfaces

Do not use a steel wool pad; it will scratch the surface.

To clean the stainless steel surface, use warm sudsy water or a stainless steel cleaner or polish. Always wipe the surface in the direction of the grain. Follow the cleaner instructions for cleaning the stainless steel surface.

To inquire about purchasing stainless steel appliance cleaner or polish, or to find the location of a dealer nearest you, please call our toll-free number:

National Parts Center
800.626.2002
ge.com

Light Bulbs

⚠ CAUTION:

Allow bulbs to cool before touching.

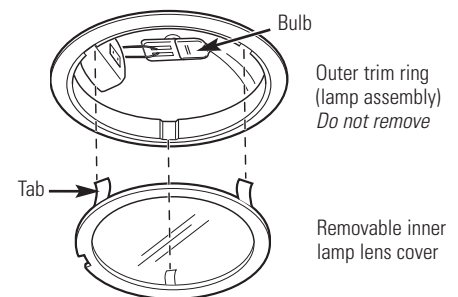
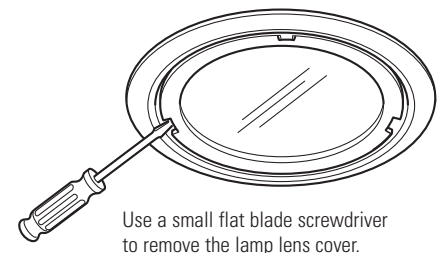
To change the light bulbs:

1. Remove the lamp lens cover by inserting a small flat blade screwdriver into each of the three slots and gently prying it free.
NOTE: Do not remove the outer trim ring (lamp assembly).
2. **Wear gloves. Do not touch the bulb with your bare fingers. Skin oils can cause early lamp failure.**
3. Grasp the bulb and pull it straight out.
4. Replace with the same wattage. Early bulb failure and damage to or failure of the transformer may occur if wattage is too high.

These **12-volt, 20-watt** halogen bulbs with a G4 base are available at specialty lighting stores and home building centers.

To order replacement bulb no. **WB01X10239**, contact the GE National Parts Center at 1.800.626.2002 or purchase from your local retailer.

5. Replace lamp lens cover by inserting the three retaining tabs into the three slots and pressing firmly in place.



NOTE: Make sure the tabs are inserted into the slots.

Installation Instructions

Island Chimney Vent Hood

? Questions? Call 800.GE.CARES (800.432.2737) or Visit our Website at: ge.com

BEFORE YOU BEGIN

Read these instructions completely and carefully.

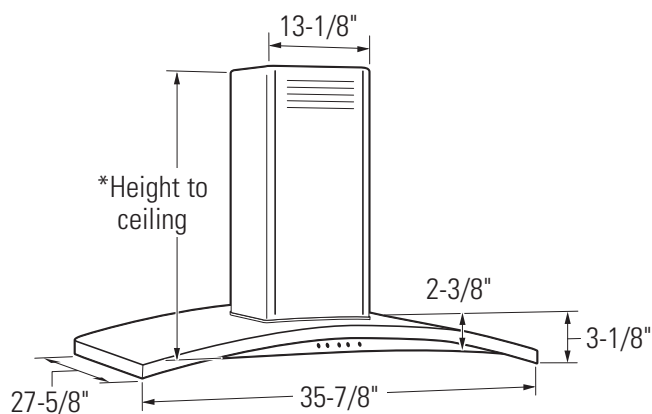
- **IMPORTANT** – Save these instructions for local inspector's use.
- **IMPORTANT** – Observe all governing codes and ordinances.
- **Note to Installer** – Be sure to leave these instructions with the Consumer.
- **Note to Consumer** – Keep these instructions for future reference.
- **Skill level** – Installation of this vent hood requires basic mechanical and electrical skills.
- **Completion time** – Approximately 4 to 6 hours
- Proper installation is the responsibility of the installer.
- Product failure due to improper installation is not covered under the Warranty.

⚠ CAUTION – Due to the weight and size of these vent hoods and to reduce the risk of personal injury or damage to the product, **TWO PEOPLE ARE REQUIRED FOR PROPER INSTALLATION.**

FOR YOUR SAFETY:

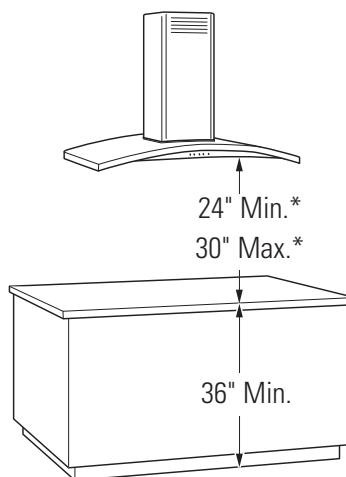
⚠ WARNING – Before beginning the installation, switch power off at service panel and lock the service disconnecting means to prevent power from being switched on accidentally. When the service disconnecting means cannot be locked, securely fasten a prominent warning device, such as a tag, to the service panel.

PRODUCT DIMENSIONS



* For supplied duct cover ceiling height for vented installation and recirculating installation, refer to the table on page 12.

INSTALLATION CLEARANCES



* Exact installation height depends on ceiling height.

NOTE: Installation height should be measured from the cooking surface to the bottom of the straight portion of the hood. This hood must be installed 24" min. and 30" max. above the cooking surface. The cooking surface should be at least 36" above the floor. This hood may be vented to the outdoors, or it can be installed for recirculating operation.

Installation Preparation

PREPARE TO INSTALL THE HOOD

ADVANCE PLANNING

Ductwork Planning

- These vent hoods are equipped for 8" round ductwork.
- Determine the exact location of the vent hood.
- Plan the route for venting exhaust to the outdoors.
- Use the shortest and straightest duct route possible. For satisfactory performance, duct run should not exceed 100 ft. equivalent length for any duct configurations.
- Refer to "Duct Fittings" chart to compute the maximum permissible length for duct runs to the outdoors.
- Use rigid metal ductwork only.
- Install a roof cap with damper at the exterior opening. Order the cap and any transitions and length of duct needed in advance.

Ceiling Framing for Adequate Support

- These vent hoods are heavy. Adequate structural support must be provided. The ceiling structure must be capable of supporting the weight of the hood and any inadvertent user contact loads (approximately 200 pounds). The hood support frame will be supported by 2 x 4 cross framing.
- Installation will be easier if the vent hood is installed before the cooktop or countertop below is installed.

Duct Covers

- All models are shipped with duct covers. For supplied duct cover ceiling heights for vented installation and recirculating installation, refer to table on page 12.

POWER SUPPLY

IMPORTANT - (Please read carefully)

▲ WARNING:

FOR PERSONAL SAFETY, THIS APPLIANCE MUST BE PROPERLY GROUNDED.

Remove house fuse or open circuit breaker before beginning installation.

Do not use an extension cord or adapter plug with this appliance. Follow National Electrical Codes or prevailing local codes and ordinances.

Electrical Supply

This vent hood must be supplied with 120V, 60Hz, and connected to an individual, properly grounded branch circuit, and protected by a 15 or 20 amp circuit breaker or time delay fuse.

- Wiring must be 2 wire with ground.
- If the electrical supply does not meet the above requirements, call a licensed electrician before proceeding.
- Route house wiring in the ceiling, as close to the installation location as possible. Allow additional length from ceiling joists to reach the junction box on the bottom of the hood support frame.
- Connect the wiring to the house wiring in accordance with local codes.

Grounding Instructions

The grounding conductor must be connected to a ground metal, permanent wiring system, or an equipment-grounding terminal or lead on the hood.

▲ WARNING:

The improper connection of equipment-grounding conductor can result in a risk of electric shock.

Check with a qualified electrician or service representative if you are in doubt whether the appliance is properly grounded.

Installation Preparation

DUCT FITTINGS

This Hood Must Use an 8" Round Duct. It Can Transition to a 3-1/4" x 12" Duct.

Use this chart to compute maximum permissible lengths for duct runs to outdoors.

NOTE: Do not exceed maximum permissible equivalent lengths!

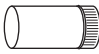



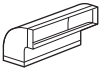
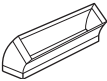

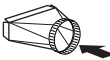
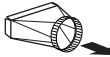
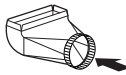
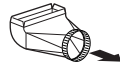
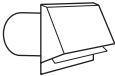


Maximum duct length: 100 feet.

Flexible ducting:

If flexible metal ducting is used, all the equivalent feet values in the table should be doubled. The flexible metal duct should be straight and smooth and extended as much as possible.

DO NOT use flexible plastic ducting.

NOTE: Any home ventilation system, such as a ventilation hood, may interrupt the proper flow of combustion air and exhaust required by fireplaces, gas furnaces, gas water heaters and other naturally vented systems. To minimize the chance of interruption of such naturally vented systems, follow the heating equipment manufacturer's guidelines and safety standards such as those published by NFPA and ASHRAE.

Duct Piece	Dimensions	Equivalent Length*	Quantity Used	Total Equivalent Length
	Round, straight	1 ft. (per foot length)		
	3-1/4" x 12" straight	1 ft. (per foot length)		
	90° elbow	17 ft.		
	45° elbow	10 ft.		
	3-1/4" x 12" 90° elbow	43 ft.		
	3-1/4" x 12" 45° elbow	26 ft.		
	3-1/4" x 12" 90° flat elbow	102 ft.		
	8" round to 3-1/4" x 12" transition	2 ft.		
	3-1/4" x 12" to 8" round transition	5 ft.		
	8" round to 3-1/4" x 12" transition 90° elbow	6 ft.		
	3-1/4" x 12" to 8" round transition 90° elbow	13 ft.		
	Round wall cap with damper	32 ft.		
	3-1/4" x 12" wall cap with damper	75 ft.		
	Round roof cap	44 ft.		

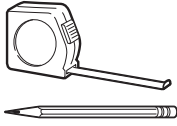
*Actual length of straight duct plus duct fitting equivalent. Equivalent length of duct pieces are based on actual tests conducted by GE Evaluation Engineering and reflect requirements for good venting performance with any ventilation hood.

Total Duct Run _____

Installation Preparation

TOOLS AND MATERIALS REQUIRED

(NOT SUPPLIED)



Pencil and tape measure



Safety glasses



Spirit level



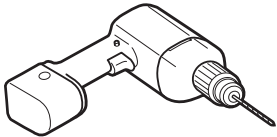
Hammer



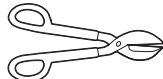
Phillips screwdriver



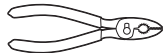
Flashlight



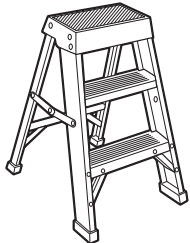
Electric drill with 3/16" bits,
#2 Phillips head



Metal snips



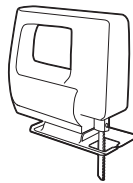
Pliers



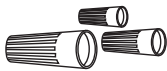
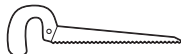
Step ladder



Wire cutter/stripper



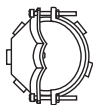
Saber saw or Key Hole saw



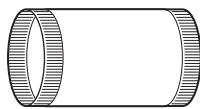
UL listed wire nuts



Aluminized
Duct tape



Strain relief for
junction box



8" Round metal
duct, length to
suit installation



120V 60Hz. 15 or 20 Amp,
2-wire with ground, properly
grounded branch circuit

REMOVE THE PACKAGING

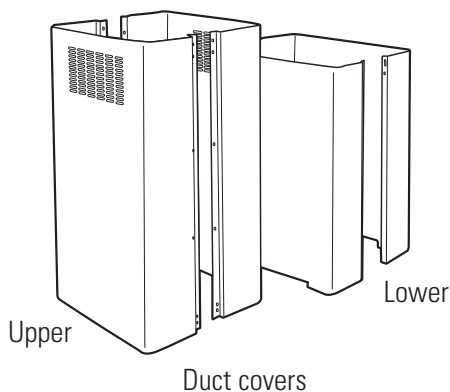
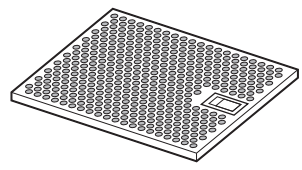
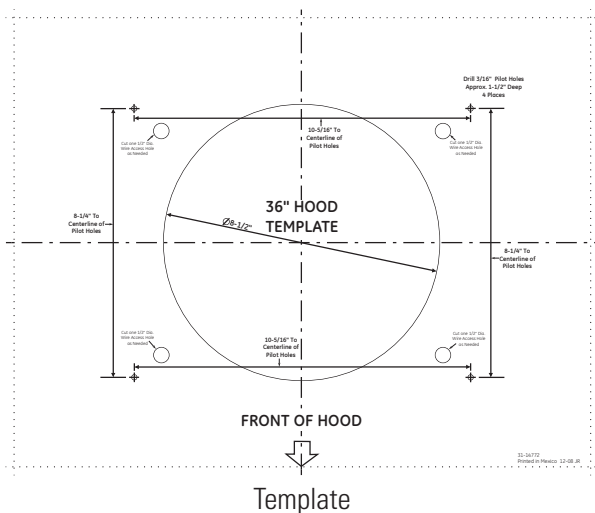
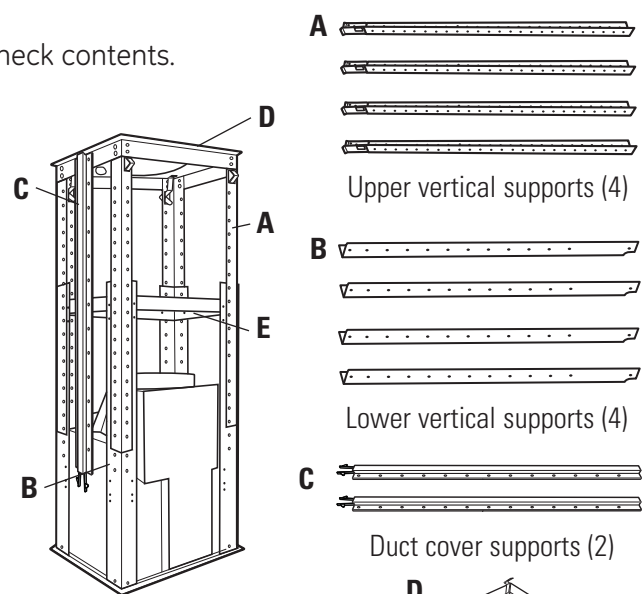
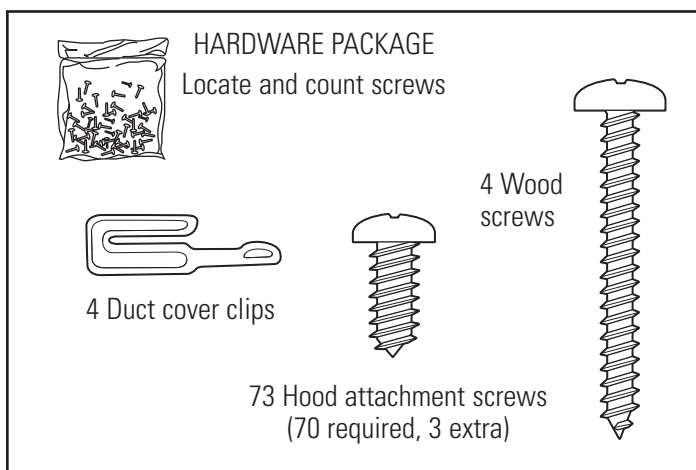
⚠ CAUTION: Wear gloves to protect against sharp edges.

- Remove the duct covers.
- Remove the hardware bag, literature package and other boxed parts.
- Remove and properly discard the protective plastic wrapping and other packaging materials.

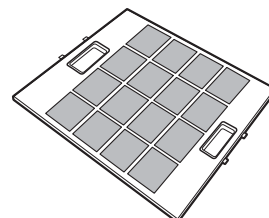
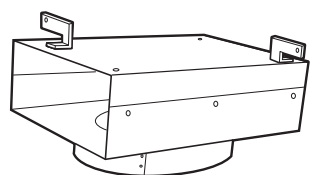
Installation Preparation

CHECK INSTALLATION HARDWARE

Locate the hardware package packed with the hood and check contents.



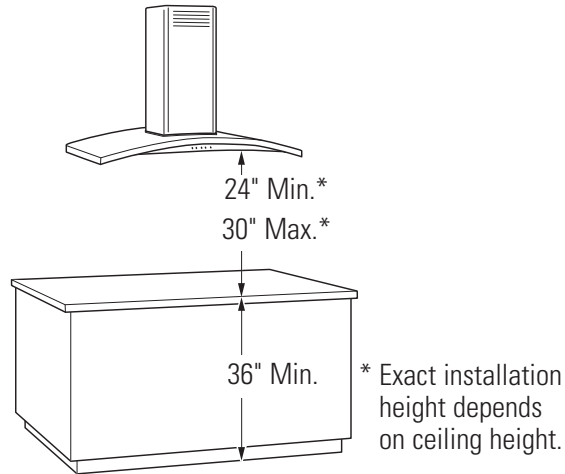
RECIRCULATING KIT (Included)



Installation Preparation

DETERMINE INSTALLATION HEIGHT

- Decorative duct covers are provided to conceal the ductwork running to the ceiling.
- This hood can be installed for recirculating operation. Recirculating Kit included with hood.



NOTE: Installation height should be measured from the cooking surface to the flat portion of the bottom of the hood.

For optimum performance, the hood must be 24" min. and 30" max. above the cooking surface. The hood installation height depends upon ceiling height.

PV977 – Island		
Upper Duct Cover		29.92
Lower Duct Cover		25.98
Counter to Hood Height		
Actual Ceiling Height	*Possible VENTED Installation Height	*Possible RECIRCULATING Installation Height
7' 11"	24"	24"
8' 0"	24" to 25"	24" to 25"
8' 1"	24" to 26"	24" to 26"
8' 2"	24" to 27"	24" to 27"
8' 3"	24" to 28"	24" to 28"
8' 4"	24" to 29"	24" to 29"
8' 5"	24" to 30"	24" to 30"
8' 6"	24" to 30"	24" to 30"
8' 7"	24" to 30"	24" to 30"
8' 8"	24" to 30"	24" to 30"
8' 9"	24" to 30"	24" to 30"
8' 10"	24" to 30"	24" to 30"
8' 11"	24" to 30"	24" to 30"
9' 0"	24" to 30"	24" to 30"
9' 1"	24" to 30"	24" to 30"
9' 2"	24" to 30"	24" to 30"
9' 3"	24" to 30"	24" to 30"
9' 4"	24" to 30"	24" to 30"
9' 5"	26" to 30"	24" to 30"
9' 6"	26" to 30"	24" to 30"
9' 7"	27" to 30"	24" to 30"
9' 8"	28" to 30"	24" to 30"
9' 9"	29" to 30"	24" to 30"
9' 10"	30"	25" to 30"
9' 11"		26" to 30"
10' 0"		27" to 30"
10' 1"		28" to 30"
10' 2"		29" to 30"
10' 3"		30"

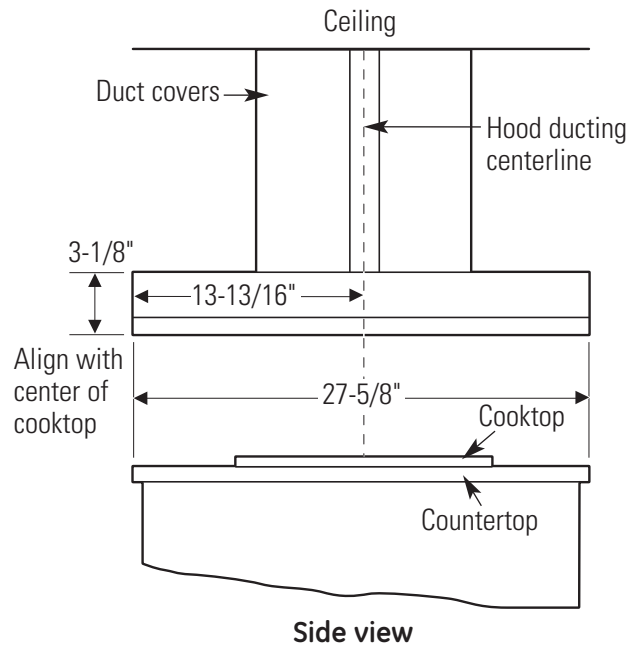
*Based on 36" countertop height

Installation Preparation

CONSTRUCT CEILING SUPPORT

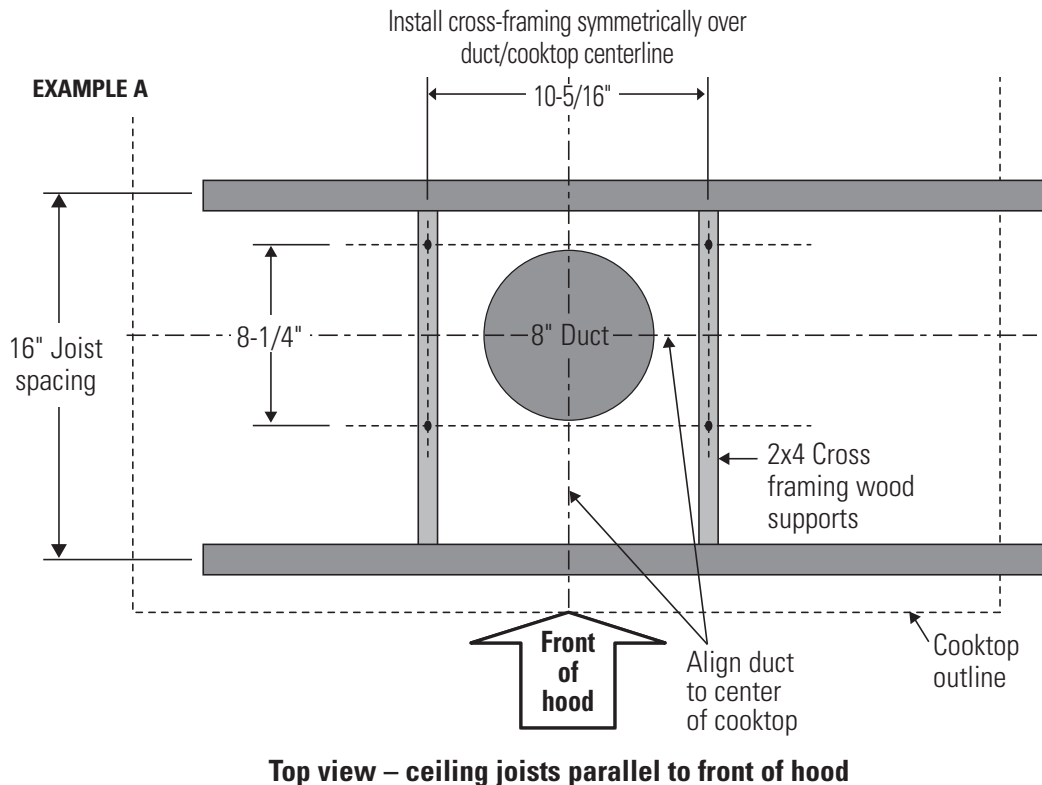
Plan the Location of the Hood and Ductwork

- Use a plumb bob to check the location. The countertop/cooktop below the hood must be centered with the hood.
- The hood should extend beyond the front and rear edge of the cooking appliance.
- The duct in the ceiling must be centered over the cooktop.



Ceiling Support Structure

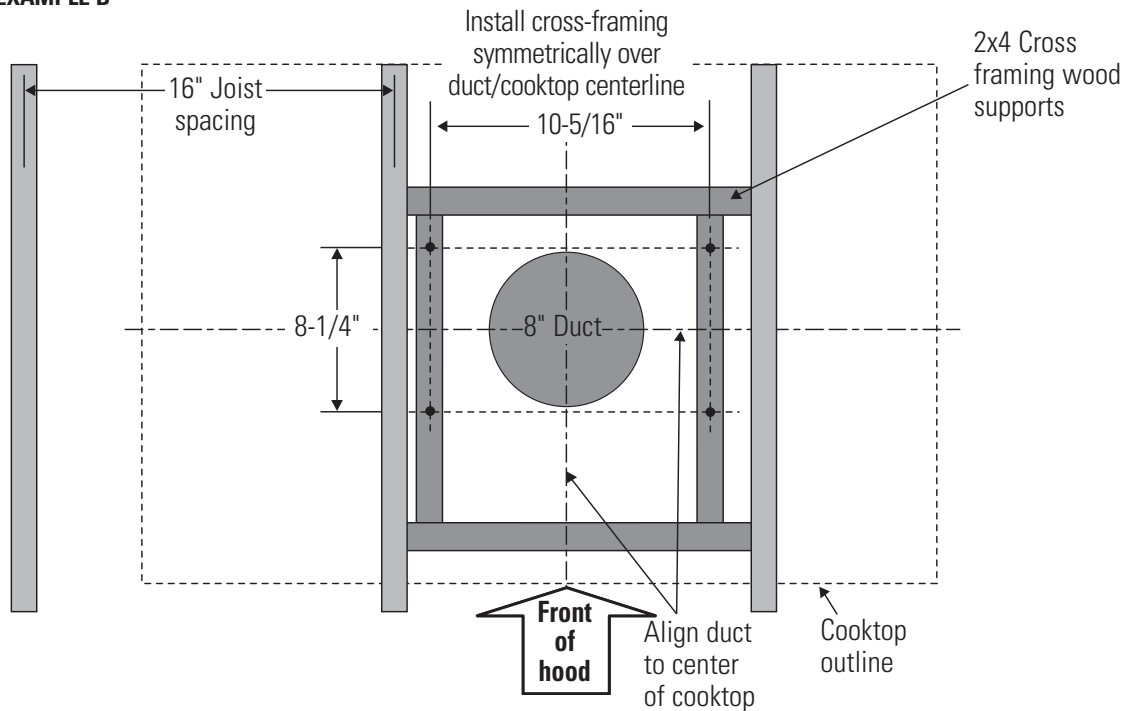
- At the hood location, install cross framing between ceiling joists as shown. (2x4 wood supports are required to support the weight of the hood.)
- Arrange cross framing in the ceiling to suit the existing structure.
- Your ceiling joists will be like one of the following examples.



Installation Preparation

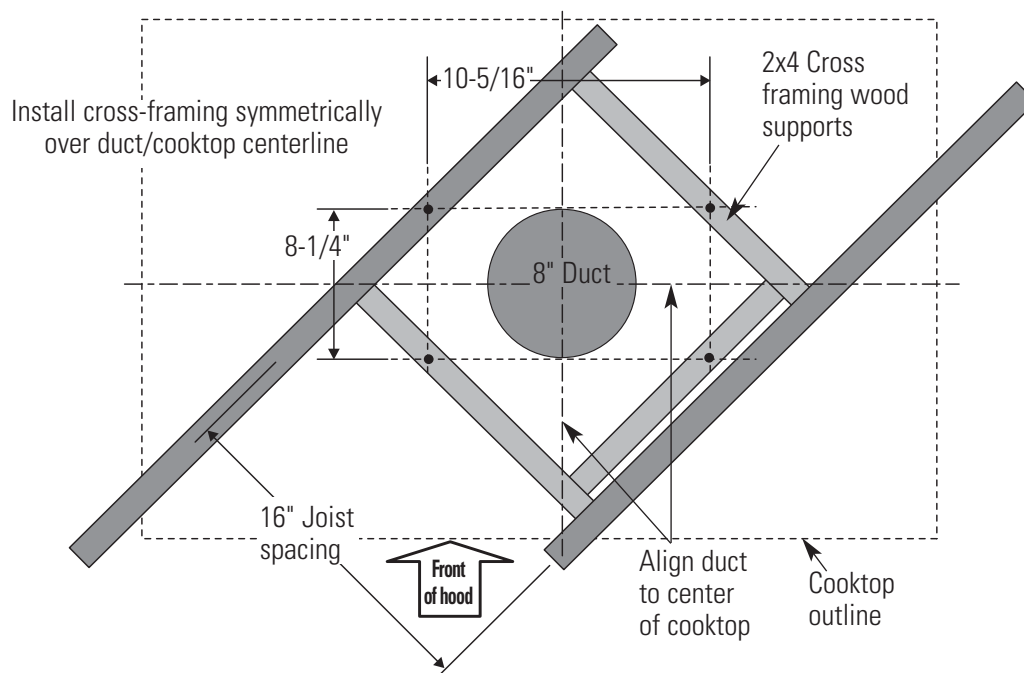
CONSTRUCT CEILING SUPPORT (Continued)

EXAMPLE B



Top view – ceiling joists run perpendicular to front of hood

EXAMPLE C



Top view – ceiling joists at angle to front of hood

Installation Preparation

CONSTRUCT CEILING SUPPORT (Continued)

- Secure each 2 x 4 block with at least four (4), #10 wood screws, 3" long (not supplied). Use 8 wood screws total for the two supports.
- **The cross framing must be accurately aligned to assure correct positioning of the hood.**
- The cross framing must be level in all directions. Check with a spirit level and adjust if necessary.

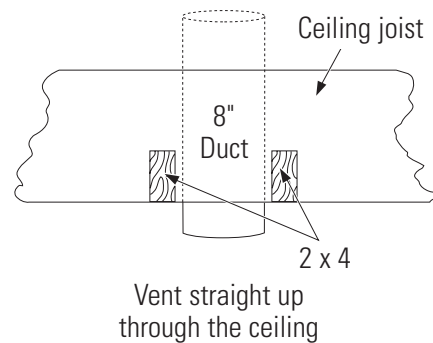
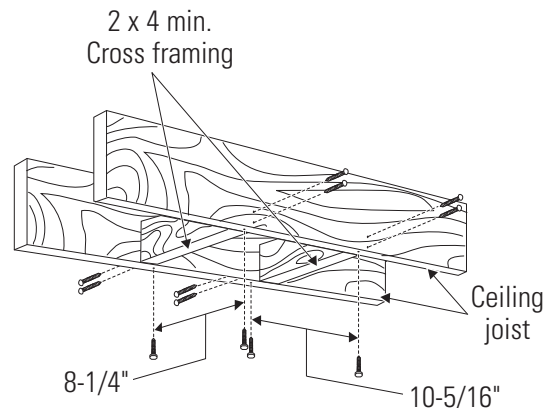
IMPORTANT: The ceiling structure must be capable of supporting the weight of the hood (approximately 200 pounds) and any inadvertent user contact loads. The hood support frame will be supported by the 2 x 4 cross framing.

Ductwork for Installations Vented to the Outdoors

- Use the shortest and straightest duct route possible. For satisfactory performance, duct run should not exceed 100 feet equivalent length for any duct configuration.
- Refer to "Duct Fittings" chart to compute the maximum permissible length for duct runs to the outdoors.
- This vent hood must use 8" round rigid duct.
- Install the house ductwork to run horizontally between ceiling joists or straight up through the roof.

Finish the Ceiling

- Finish the ceiling surface. Be sure to mark location of the ceiling joists and cross framing. Check to be sure the ceiling is level; use shims if necessary.

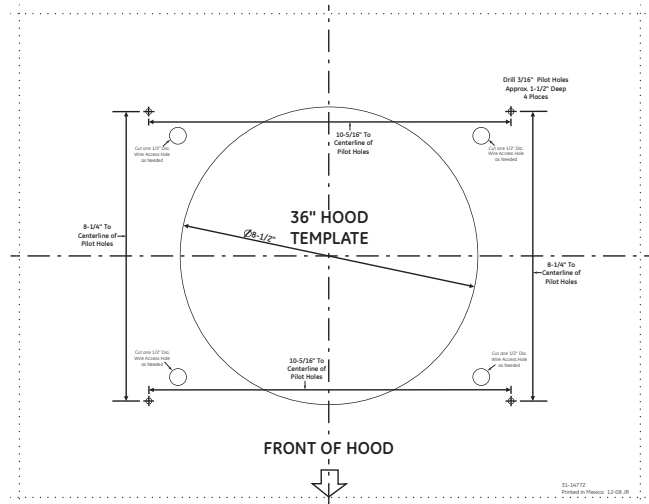


Installation Instructions

INSTALLATION—VENTED TO THE OUTSIDE

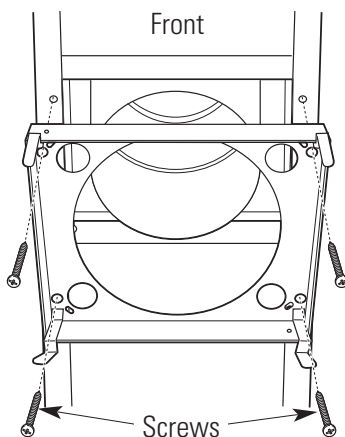
STEP 1 MOUNT TEMPLATE

- Align the template with the marks on the ceiling and tape in place.
 - Be sure the template is oriented correctly with the front of the hood.
- Use a plumb bob to be sure the mounting holes will provide parallel alignment with the countertop below.
- Determine wire access hole location.
- Center punch all screw and determined wire hole locations.
- Drill pilot holes in the 4 screw locations. Use a 3/16" bit and drill approximately 1-1/2" deep.
- Drill one 1/2" hole for wires.
- Cut the 8-1/2" duct opening through the ceiling.



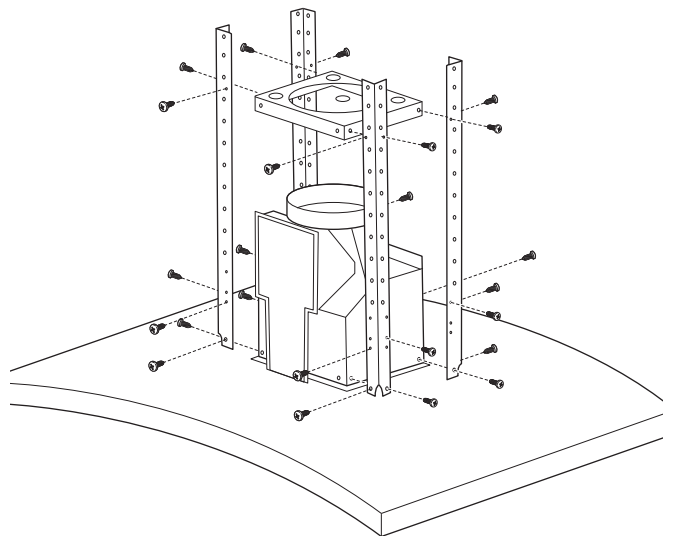
STEP 2 INSTALL CEILING SUPPORT

- Using 4 wood screws provided, attach the ceiling support to the ceiling over duct opening hole using pilot holes drilled in step 1.



STEP 3 INSTALL LOWER VERTICAL AND HORIZONTAL SUPPORTS TO HOOD ASSEMBLY

- Using screws provided, attach the 4 lower vertical supports to the hood assembly with 4 screws per support.
- Using screws provided, install the horizontal support in the top outer holes of the vertical supports.

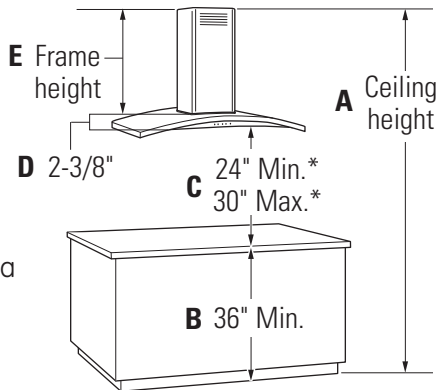


Installation Instructions

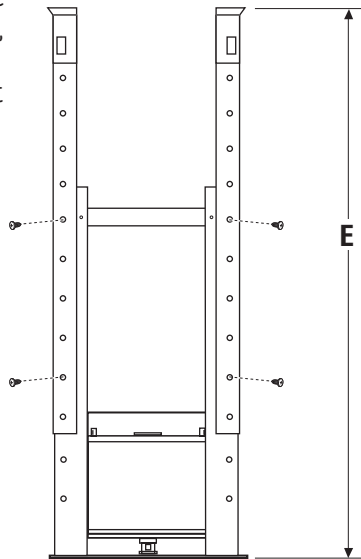
STEP 4 DETERMINE FRAME HEIGHT

- Measure exact ceiling height.
- Find the exact frame height required on the chart on page 12.
- Use this formula to determine your frame height:

$A - (B + C + D) =$
Frame height E where
A is the ceiling height,
B is the countertop height, C is the height determined by the chart on page 12, D is the height of the hood measured from the straight bottom portion to the top at the center.

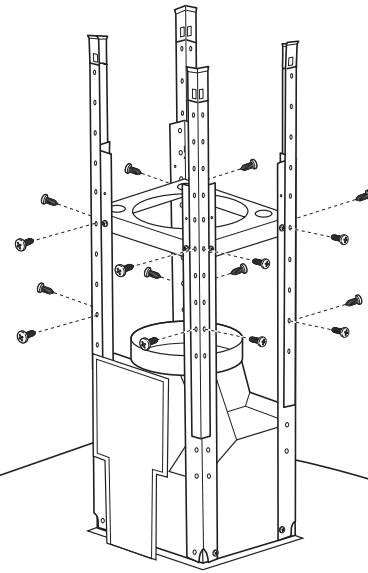


*See Chart on page 12.



STEP 5 INSTALL UPPER VERTICAL SUPPORTS TO HOOD ASSEMBLY

- Determine how much of the upper vertical supports will need to be above the lower supports to accomplish the frame height determined in step 4 for this installation.
- Using screws provided, attach the 4 upper vertical supports to the lower vertical supports at the position determined for frame height. The upper vertical supports are mounted to the outside of the lower supports.

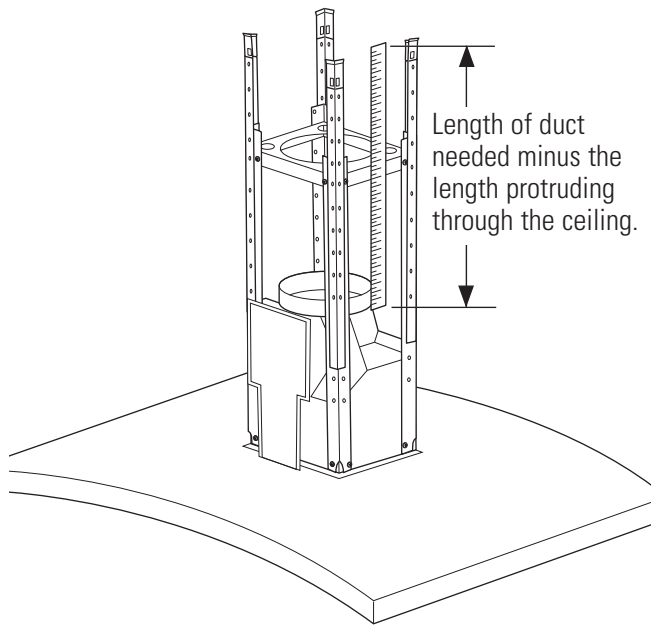


Installation Instructions

INSTALLATION—VENTED TO THE OUTSIDE

STEP 6 CUT DUCT TO LENGTH FOR VENTED INSTALLATION

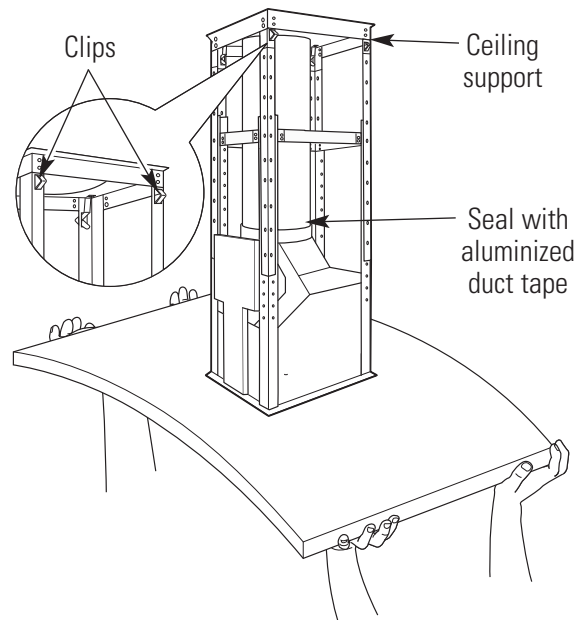
- Measure from the hood exhaust opening to the top of the supports as shown in the figure.
- Subtract any length of duct that is protruding through the ceiling.
- Cut the 8" duct to the appropriate length. Attach to ceiling duct using aluminized tape and screws.



STEP 7 INSTALL HOOD ASSEMBLY TO CEILING SUPPORT

▲ WARNING: Two people are required to lift and position the hood onto the support.

- Lift the hood assembly up to the ceiling support. Carefully fit the newly assembled duct over exhaust opening on the hood assembly. The clips on the ceiling support will snap into the large openings on the upper vertical supports.
- Using the screws provided, attach the upper vertical supports to the ceiling support, 4 screws per side, for a total of 16 screws.
- Seal duct with aluminized duct tape.



Installation Instructions

STEP 8 CONNECT ELECTRICAL

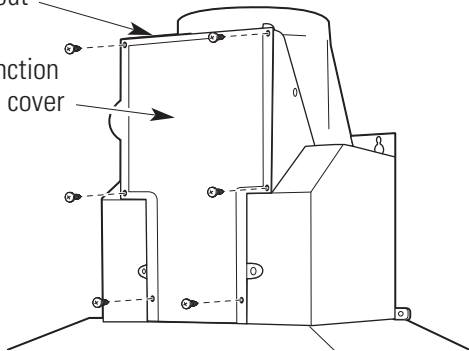
Verify that power is turned off at the source.

⚠ WARNING: If house wiring is not 2-wire with a ground wire, a ground must be provided by the installer. When house wiring is aluminum, be sure to use U.L. approved anti-oxidant compound and aluminum-to-copper connectors.

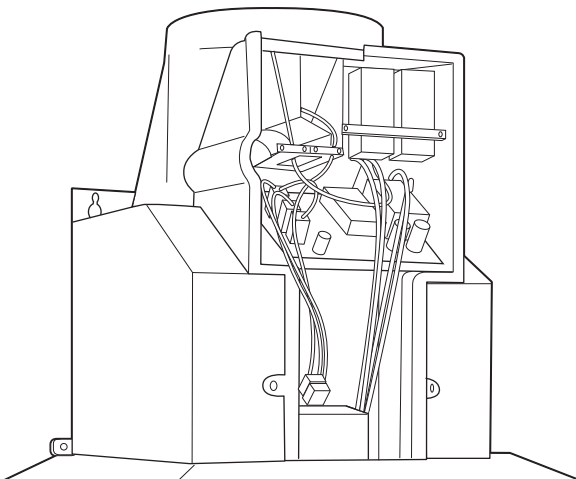
- Remove the 6 screws on the junction box cover and the knockout on the top left side.

Knockout

Junction box cover



- Secure the house wiring to the junction box with a strain relief (not provided).



- Connect the white lead to the branch circuit white lead.
- Connect the black lead to the branch circuit black lead.
- Connect the green/yellow lead to the branch circuit green lead or bare ground lead.
- Secure all the connections with wire nuts on each electrical connector.
- Push the wires into the junction box and replace the cover. Be sure the wires are not pinched.
- Secure the junction box cover with the 6 original screws.

STEP 9 INSTALL DUCT COVER SUPPORTS

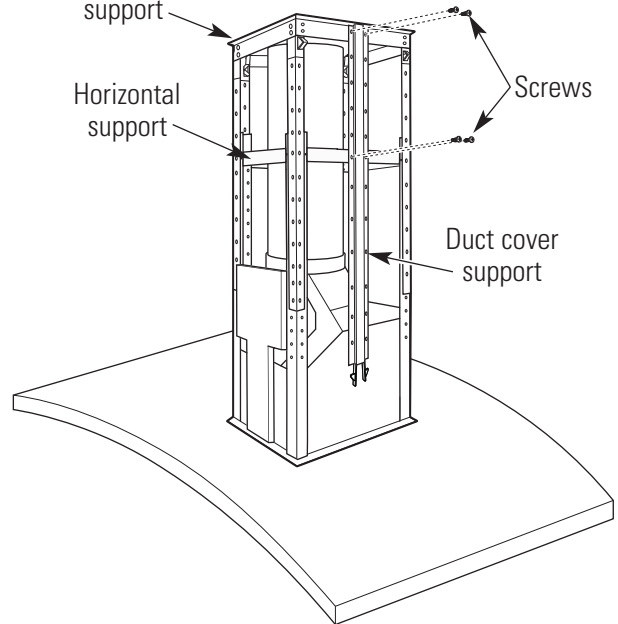
- Attach the duct cover supports to the sides of the horizontal and ceiling supports using 4 screws per duct cover support.

Ceiling support

Horizontal support

Screws

Duct cover support



Installation Instructions

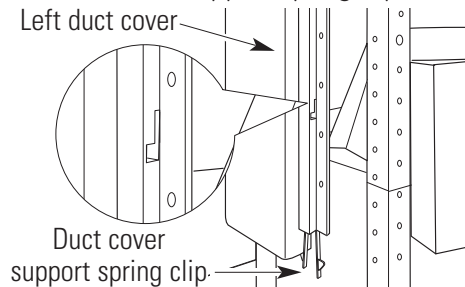
INSTALLATION—VENTED TO THE OUTSIDE

STEP 10 INSTALL DUCT COVERS

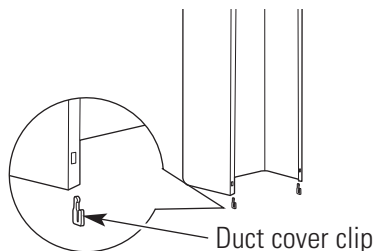
IMPORTANT: Two people are required to install the duct covers.

NOTE: If you are installing this hood for recirculating operation, place the duct covers onto the hood with the venting slots at the top. If the hood is vented to the outside, the holes should be positioned on the bottom.

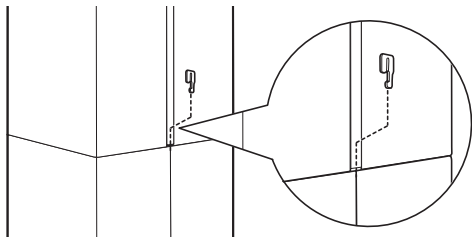
- Remove the protective film from all duct covers.
- Place one upper duct cover over the rear of the support assembly. The tabs on the edges of the duct cover will slide into a notch on the duct cover support. When all 6 tabs on the duct cover are in the notches on both of the duct cover supports, slide the duct cover up so it sits on the duct cover support spring clip.



- Place a duct cover clip onto the bottom of the rear lower duct cover locking the clip into place. Repeat on the other side.

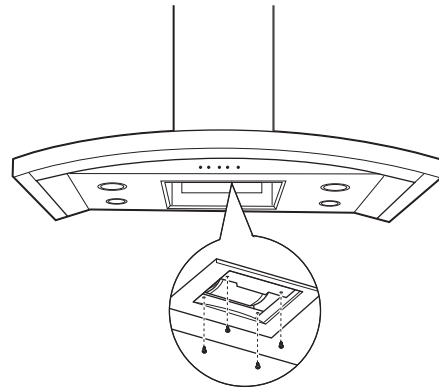


- Lower the duct cover into the recess on the hood, being careful to hold the clip in place while lowering the duct cover onto the hood assembly.
- Place the front lower duct cover into the recess of the hood locking it onto the duct cover clip on the rear cover.
- Place a duct cover clip at the top on each side where the front and rear duct covers meet. This will hold the rear and front covers together.



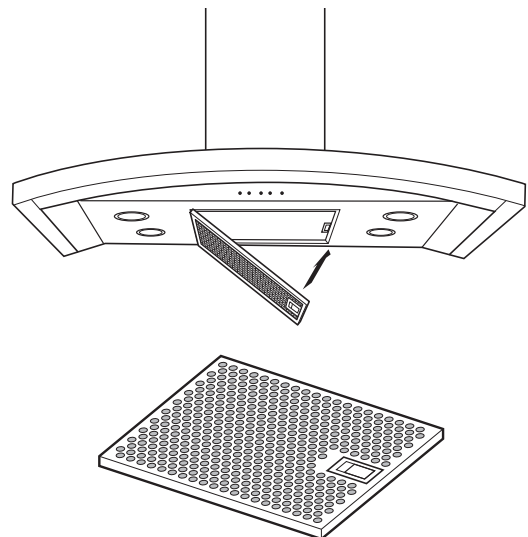
STEP 10 INSTALL DUCT COVERS (cont.)

- Using screws provided, secure the lower duct covers to the hood assembly from the underside of the hood.



STEP 11 INSTALL METAL GREASE FILTER

- Remove protective film on the grease filter.
NOTE: The charcoal filter is not required for this installation.
- Fit the tabs at the end of the filter into the slots in left side of the filter opening. Lift up the right side of the filter and push gently until the filter locks into place. Make sure the filter lock is in the closed position to secure the filter.
- To remove the filter, pull downward on the filter lock to release.

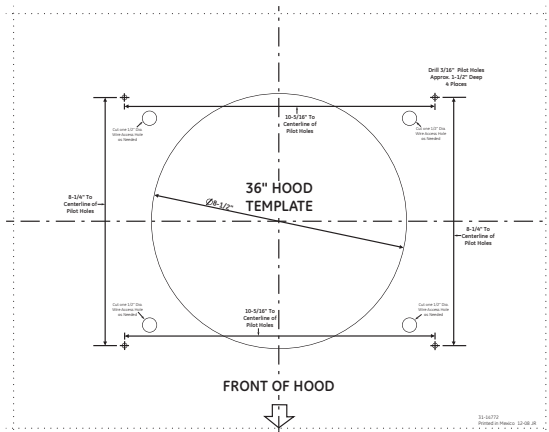


Installation Instructions

INSTALLATION—RECIRCULATING

STEP 1 MOUNT TEMPLATE

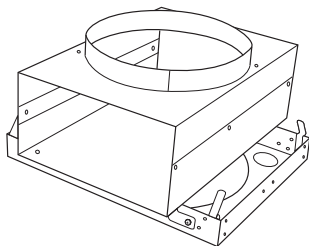
- Align the template with the marks on the ceiling and tape in place.
 - Be sure the template is oriented correctly with the front of the hood.
- Use a plumb bob to be sure the mounting holes will provide parallel alignment with the countertop below.
- Determine wire access hole location.
- Center punch all screw and determined wire hole locations.
- Drill pilot holes in the 4 screw locations. Use a 3/16" bit and drill approximately 1-1/2" deep.
- Drill one 1/2" hole for wires.



NOTE: Do not cut the duct opening shown on the template for this recirculating installation.

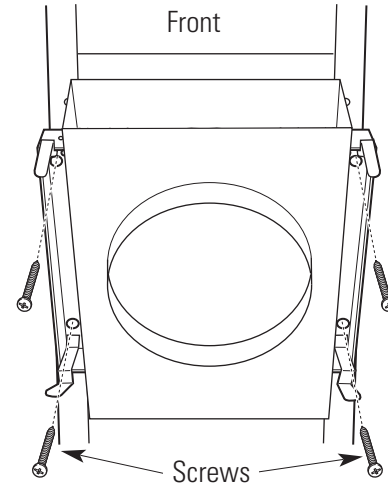
STEP 2 INSTALL AIR DEFLECTOR INTO CEILING SUPPORT

- Lay ceiling support on a firm surface, clip side up.
- Position the air deflector onto the ceiling support, duct opening up and one of the open sides to what will be the front of the hood assembly. The tabs on the deflector will be to the outside of the ceiling support.
- Using 2 screws provided, secure the tabs on the deflector to the ceiling support.



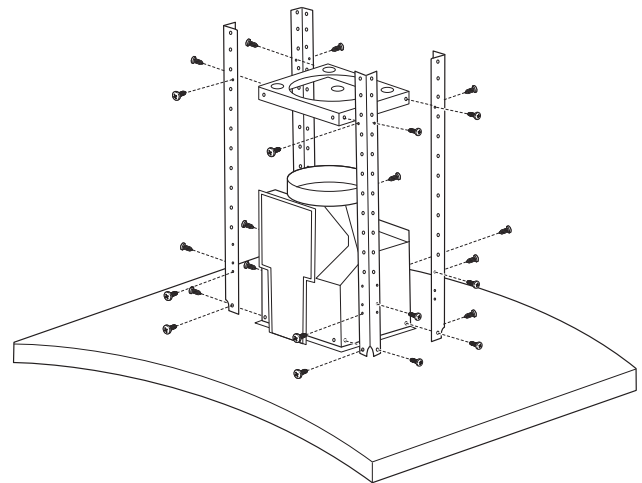
STEP 3 INSTALL CEILING SUPPORT AND DEFLECTOR ASSEMBLY

- Using the 4 wood screws provided, attach the ceiling support using the pilot holes drilled in step 1.



STEP 4 INSTALL LOWER VERTICAL AND HORIZONTAL SUPPORTS TO HOOD ASSEMBLY

- Using screws provided, attach the 4 lower vertical supports to the hood assembly with 4 screws per support.
- Using screws provided, install the horizontal support in the second outer holes of the vertical supports.



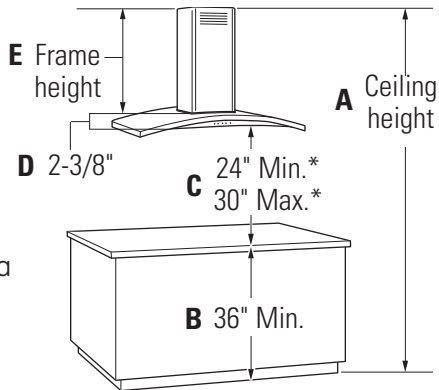
Installation Instructions

INSTALLATION—RECIRCULATING

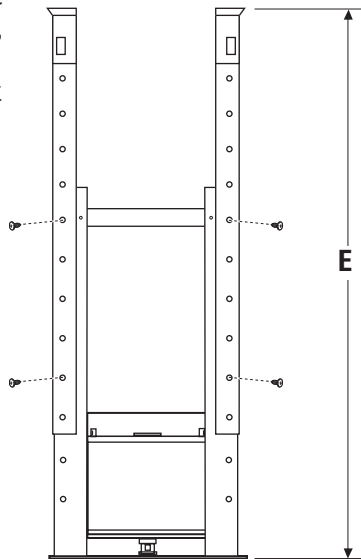
STEP 5 DETERMINE FRAME HEIGHT

- Measure exact ceiling height.
- Find the exact frame height required on the chart on page 12.
- Use this formula to determine your frame height:

$A - (B + C + D) =$
Frame height E where
A is the ceiling height,
B is the countertop
height, C is the height
determined by the
chart on page 12, D
is the height of the
hood measured from
the straight bottom
portion to the top
at the center.

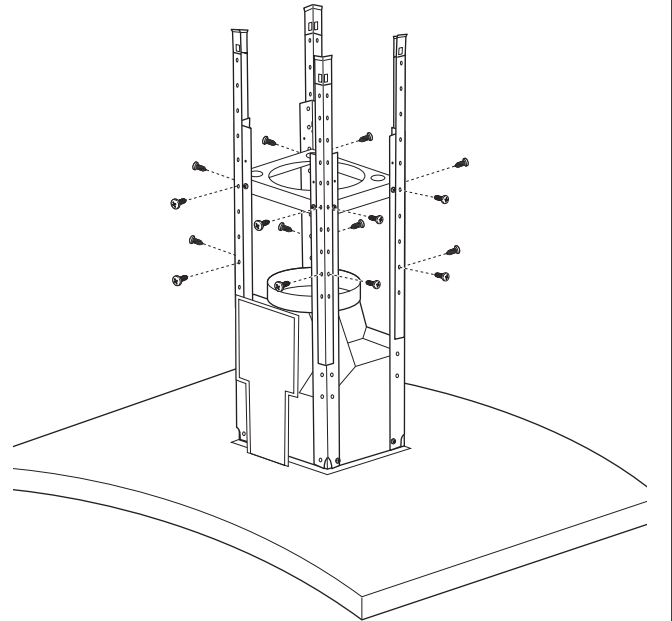


*See Chart on page 12.



STEP 6 INSTALL UPPER VERTICAL SUPPORT

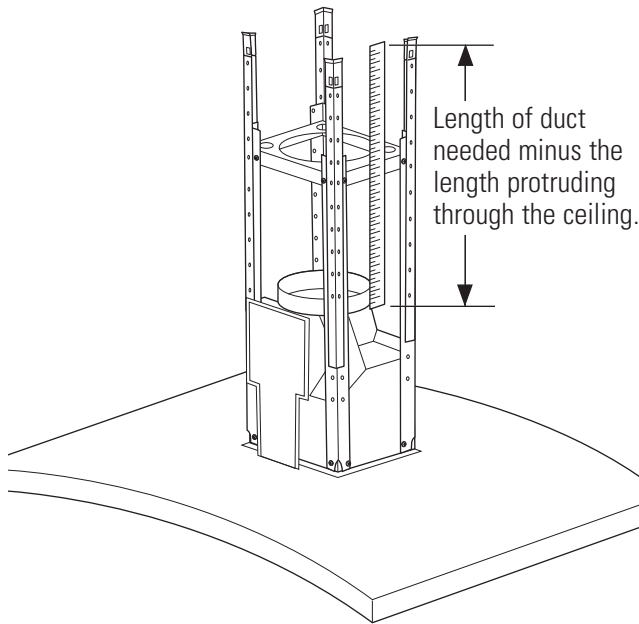
- Using the screws provided, attach the 4 upper vertical supports to the lower vertical supports at the position determined for frame height. The upper vertical supports are mounted to the outside of the lower supports.



Installation Instructions

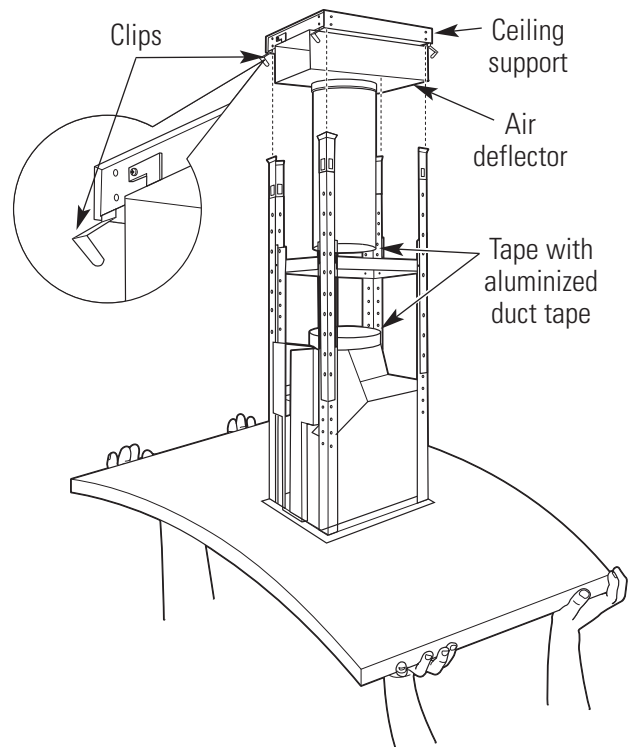
STEP 7 DETERMINE DUCT LENGTH AND INSTALL DUCT

- Measure from the hood exhaust opening to the top of the supports as shown in the figure.
- Subtract the height of the air deflector.
- Cut the 8" duct to the appropriate length. Attach to air deflector using aluminized tape and screws.



STEP 8 INSTALL HOOD ASSEMBLY TO CEILING SUPPORT

- ⚠ WARNING:** Two people are required to lift and position the hood on the support.
- Carefully lift the hood assembly to the ceiling support. The clips on the ceiling support will snap into the openings on the vertical supports.
 - Slip the duct over the exhaust opening.
 - Using the screws provided, attach the upper vertical supports to the ceiling support, 2 screws per side for a total of 16 screws.
 - Seal the air duct to the exhaust opening using aluminized duct tape.



Installation Instructions

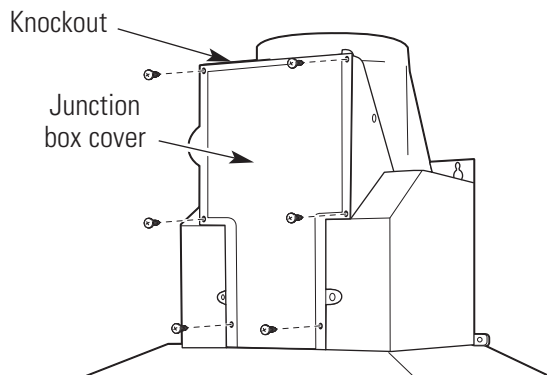
INSTALLATION—RECIRCULATING

STEP 9 CONNECT ELECTRICAL

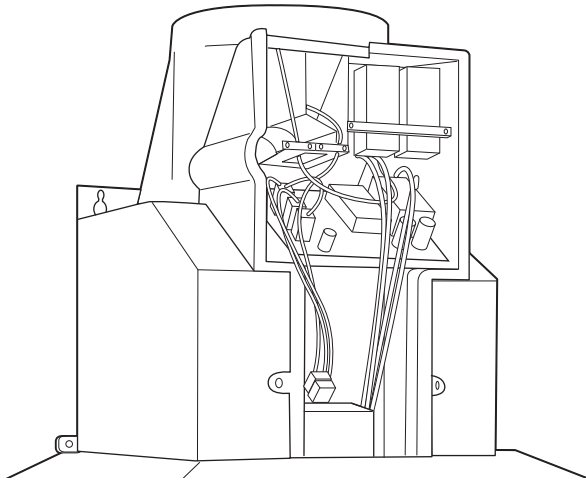
Verify that power is turned off at the source.

⚠ WARNING: If house wiring is not 2-wire with a ground wire, a ground must be provided by the installer. When house wiring is aluminum, be sure to use U.L. approved anti-oxidant compound and aluminum-to-copper connectors.

- Remove the 6 screws on the junction box cover and the knockout on the top left side.



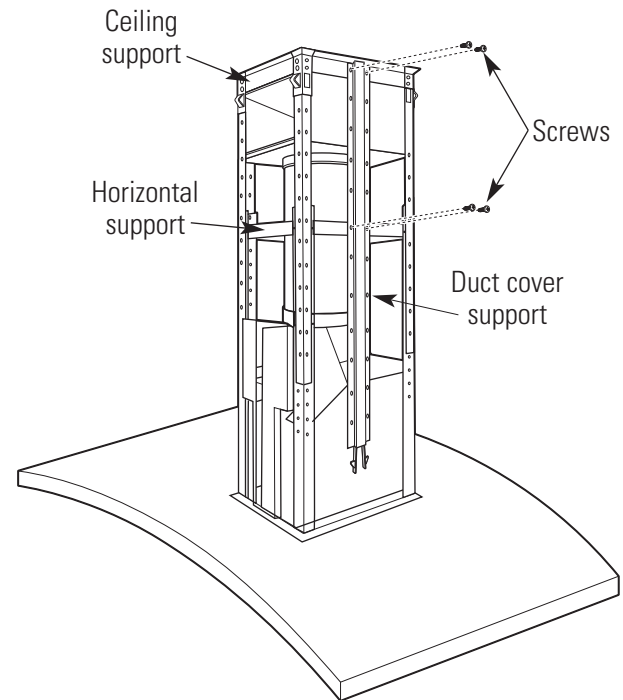
- Secure the house wiring to the junction box with a strain relief (not provided).



- Connect the white lead to the branch circuit white lead.
- Connect the black lead to the branch circuit black lead.
- Connect the green/yellow lead to the branch circuit green lead or bare ground lead.
- Secure all the connections with wire nuts on each electrical connector.
- Push the wires into the junction box and replace the cover. Be sure the wires are not pinched.
- Secure the junction box cover with the 6 original screws.

STEP 10 INSTALL DUCT COVER SUPPORTS

- Attach the duct cover supports to the sides of the horizontal and ceiling supports using 4 screws per duct cover support.



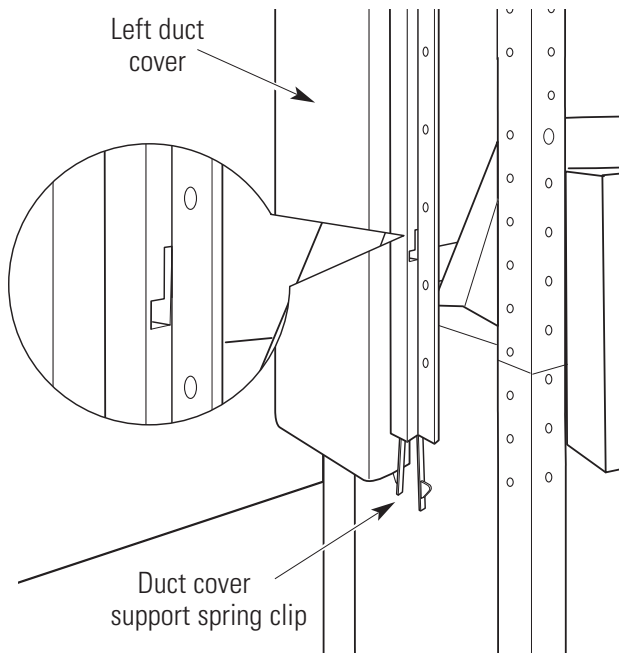
Installation Instructions

STEP 11 INSTALL DUCT COVERS

IMPORTANT: Two people are required to install the duct covers.

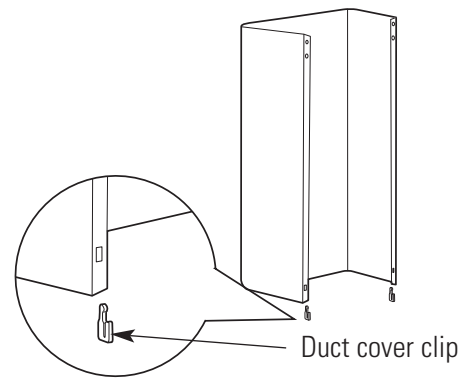
NOTE: If you are installing this hood for recirculating operation, place the duct covers onto the hood with the venting slots at the top. If the hood is vented to the outside, the holes should be positioned on the bottom.

- Remove the protective film from all duct covers.
- Place one upper duct cover over the rear of the support assembly. The tabs on the edges of the duct cover will slide into a notch on the duct cover support. When all 6 tabs on the duct cover are in the notches on both of the duct cover supports, slide the duct cover up so it sits on the duct cover support spring clip.

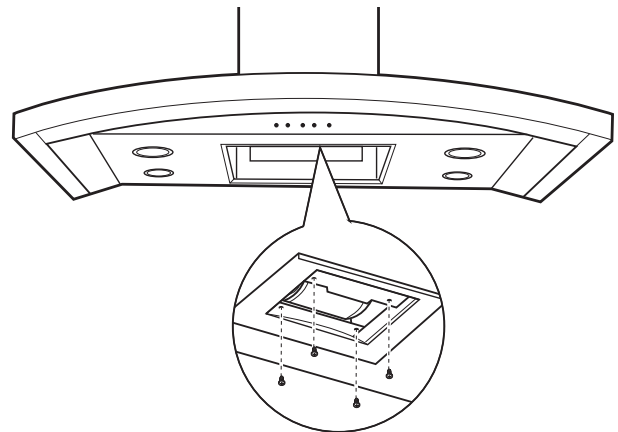


STEP 11 INSTALL DUCT COVERS (cont.)

- Place a duct cover clip onto the bottom of the rear lower duct cover locking the clip into place. Repeat on the other side.
- Lower the duct cover into the recess on the hood.
- Place the front lower duct cover into the recess of the hood locking it onto the duct cover clip on the rear cover.
- Place a duct cover clip on each side where the front and rear duct covers meet. This will hold the rear and front covers together.



- Using screws provided, secure the lower duct covers to the hood assembly from the underside of the hood.



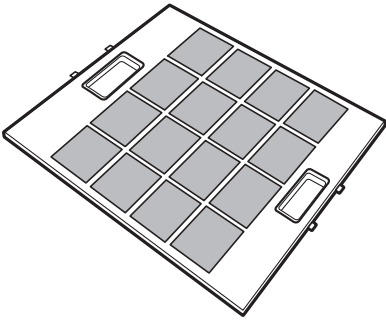
Installation Instructions

INSTALLATION—RECIRCULATING

STEP 12 INSTALL FILTERS

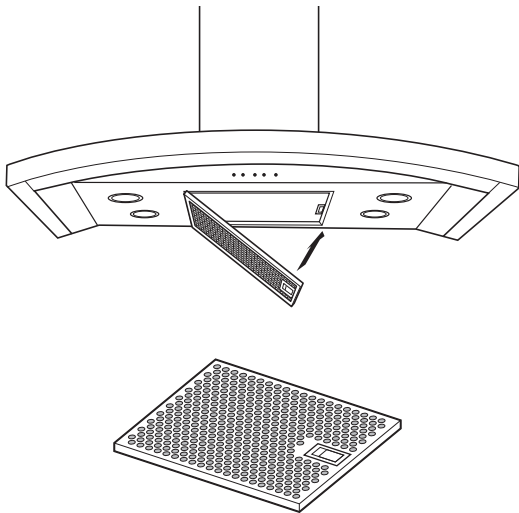
Charcoal Filter

Insert the charcoal filter into the opening. Push the latch on both sides toward the center and engage the flange.



Metal Grease Filter

- Remove the protective film on the grease filter.
- Fit the tabs at the end of the filter into the slots in left side of the filter opening. Lift up the right side of the filter and push gently until the filter locks into place. Make sure the filter lock is in the closed position to secure the filter.
- To remove the filter, pull downward on the filter lock to release.



Before you call for service...



Troubleshooting Tips
Save time and money! Review the chart below first and you may not need to call for service.

Problem	Possible Causes	What To Do
Fan/Light does not operate when either button is pressed	A house fuse may be blown or a circuit breaker tripped.	<ul style="list-style-type: none"> • Replace fuse or reset circuit breaker.
Fan does not operate when fan + or - buttons or MEMORY/OFF button is pressed	The blower connector is loose or not plugged into its mating connector.	<ul style="list-style-type: none"> • Disconnect power to the unit. Remove the filters and look up at the blower. If the blower connector plug is loose or you see the connector dangling, the installer failed to plug it in securely. See the <i>Installation Instructions</i> for the plug location and how to plug in the connector.
Loud or abnormal airflow noise	Wrong duct size used in installation.	<ul style="list-style-type: none"> • This hood requires 8" ducting and a maximum duct length of 100 equivalent feet to perform optimally. Using smaller duct pipe or longer equivalent lengths of duct pipe will cause improper venting. GE service technicians cannot correct this issue if installed improperly.
Fan fails to circulate air or moves air slower than normal and/or fan is making loud or abnormal airflow noise	Obstructions in duct work.	<ul style="list-style-type: none"> • Make sure nothing is blocking the vent. Make sure your wall or roof cap has a blade or door.
	Damper blade on wall or roof cap may not be open.	<ul style="list-style-type: none"> • Make sure damper swings freely. Damper blades may flip over and will not fully open when this happens. Adjust to original position.
	Metal grease filter and charcoal filter (if present) may be dirty.	<ul style="list-style-type: none"> • Clean the metal grease filter and replace charcoal filter (if present). See <i>Care and Cleaning of the Vent Hood</i>.
The hood controls are not operating correctly	Control logic confused.	<ul style="list-style-type: none"> • Disconnect power to the hood by resetting the circuit breaker. Wait 30 seconds to allow controls to reset.
Early bulb failure	Replacing bulbs with bare hands.	<ul style="list-style-type: none"> • Replace bulbs while wearing gloves to keep skin oils off bulbs. • Bulb wattage is too high. Replace with correct wattage.
Hood does not appear to operate when the MEMORY/OFF button is pressed. All collars around the push buttons are illuminated.	The memory feature of this hood has not been set. This is normal.	<ul style="list-style-type: none"> • Follow procedures for setting the MEMORY/OFF button. Adjust the Fan and Light settings to your preference.

Before you call for service...



Troubleshooting Tips
Save time and money! Review the chart below first and you may not need to call for service.

Problem	Possible Causes	What To Do
<i>Fan turned on by itself and is in MED setting. The fan setting can be adjusted but not to OFF.</i>	The heat sensor is activated.	<ul style="list-style-type: none"> This is normal when temperatures below the hood are exceeding the heat sensor limits. Remove the heat source under the hood or wait until the hood cools to appropriate levels. The hood will automatically turn itself off or return to its original setting once the heat sensor detects the temperature has reached a safe condition.
<i>A collar around a push button is not illuminating when pressed.</i>	Push button may be stuck.	<ul style="list-style-type: none"> Check affected push button and ensure that it is not stuck. Call for service if problem persists.
<i>Two or more collars around the push buttons are not illuminating when pressed.</i>	Two or more push buttons may be stuck.	<ul style="list-style-type: none"> Check affected push buttons and ensure that they are not stuck. Call for service if problem persists.
<i>Sequential presses of the LIGHT or FAN buttons will change the setting from lowest setting to OFF, to highest setting, to OFF, to the lowest setting.</i>	This is normal. It is a feature of the hood that the LIGHT and FAN buttons will cycle around through the settings so that you can easily set the controls to your desired setting.	<ul style="list-style-type: none"> No action required.

GE Range Hood Warranty.



All warranty service provided by our Factory Service Centers, or an authorized Customer Care® technician. To schedule service, on-line, visit us at ge.com, or call 800.GE.CARES (800.432.2737). Please have serial number and model number available when calling for service.

Staple your receipt here.
Proof of the original purchase date is needed to obtain service under the warranty.

For The Period Of: GE Will Replace:

One Year

From the date of the original purchase

Any part of the range hood which fails due to a defect in materials or workmanship. During this **limited one-year warranty**, GE will also provide, **free of charge**, all labor and in-home service to replace the defective part.

What GE Will Not Cover:

- Service trips to your home to teach you how to use the product.
- Improper installation, delivery or maintenance.
- Failure of the product if it is abused, misused, or used for other than the intended purpose or used commercially.
- Replacement of house fuses or resetting of circuit breakers.
- Damage to the product caused by accident, fire, floods or acts of God.
- Incidental or consequential damage caused by possible defects with this appliance.
- Damage caused after delivery.
- Product not accessible to provide required service.

EXCLUSION OF IMPLIED WARRANTIES—Your sole and exclusive remedy is product repair as provided in this Limited Warranty. Any implied warranties, including the implied warranties of merchantability or fitness for a particular purpose, are limited to one year or the shortest period allowed by law.

This warranty is extended to the original purchaser and any succeeding owner for products purchased for home use within the USA. If the product is located in an area where service by a GE Authorized Servicer is not available, you may be responsible for a trip charge or you may be required to bring the product to an Authorized GE Service Location for service. In Alaska, the warranty excludes the cost of shipping or service calls to your home.

Some states do not allow the exclusion or limitation of incidental or consequential damages. This warranty gives you specific legal rights, and you may also have other rights which vary from state to state. To know what your legal rights are, consult your local or state consumer affairs office or your state's Attorney General.

Warrantor: General Electric Company, Louisville, KY 40225

Safety Instructions

Operating Instructions

Care and Cleaning

Troubleshooting Tips

Consumer Support

Consumer Support.



GE Appliances Website

ge.com

Have a question or need assistance with your appliance? Try the GE Appliances Website 24 hours a day, any day of the year! For greater convenience and faster service, you can now download Owner's Manuals, order parts or even schedule service on-line.



Schedule Service

ge.com

Expert GE repair service is only one step away from your door. Get on-line and schedule your service at your convenience any day of the year! Or call 800.GE.CARES (800.432.2737) during normal business hours.



Real Life Design Studio

ge.com

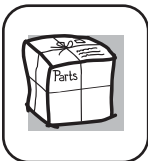
GE supports the Universal Design concept—products, services and environments that can be used by people of all ages, sizes and capabilities. We recognize the need to design for a wide range of physical and mental abilities and impairments. For details of GE's Universal Design applications, including kitchen design ideas for people with disabilities, check out our Website today. For the hearing impaired, please call 800.TDD.GEAC (800.833.4322).



Extended Warranties

ge.com

Purchase a GE extended warranty and learn about special discounts that are available while your warranty is still in effect. You can purchase it on-line anytime, or call 800.626.2224 during normal business hours. GE Consumer Home Services will still be there after your warranty expires.



Parts and Accessories

ge.com

Individuals qualified to service their own appliances can have parts or accessories sent directly to their homes (VISA, MasterCard and Discover cards are accepted). Order on-line today, 24 hours every day or by phone at 800.626.2002 during normal business hours.

Instructions contained in this manual cover procedures to be performed by any user. Other servicing generally should be referred to qualified service personnel. Caution must be exercised, since improper servicing may cause unsafe operation.



Contact Us

ge.com

If you are not satisfied with the service you receive from GE, contact us on our Website with all the details including your phone number, or write to:

General Manager, Customer Relations
GE Appliances, Appliance Park
Louisville, KY 40225



Register Your Appliance

ge.com

Register your new appliance on-line—at your convenience! Timely product registration will allow for enhanced communication and prompt service under the terms of your warranty, should the need arise. You may also mail in the pre-printed registration card included in the packing material.



Profile Campanas de ventilación de chimenea para isla

Instrucciones de Seguridad 2, 3

Instrucciones de Operación
Controles de la luz 4
Controles de la ventilación 4

Cuidado y limpieza
Filtros de grasa 5
Luces de la campana 6
Superficies de acero inoxidable ... 6

Instrucciones de instalación
Preparación para
la instalación 7-15
Ventilación hacia
el exterior 16-20
Recirculación 21-26

Consejos para la identificación y solución de problemas 27, 28

Apoyo al cliente
Apoyo al cliente 30
Garantía 29

Manual del Propietario e Instrucciones de Instalación

PV977

Escriba los números de modelo y de serie aquí:

Modelo # _____

Serie # _____

Usted puede encontrarlos en una etiqueta ubicada en la parte interna de la campana.

INFORMACIÓN IMPORTANTE DE SEGURIDAD. LEA TODAS LAS INSTRUCCIONES ANTES DE SU USO.

Instrucciones
de Seguridad

Instrucciones
de Operación

Cuidado y Limpieza

Solucionar Problemas

Apoyo al Cliente



PRECAUCIONES DE SEGURIDAD

⚠ ADVERTENCIA – PARA REDUCIR EL RIESGO DE INCENDIO, DESCARGA ELÉCTRICA O LESIONES A PERSONAS, CUMPLA CON LOS SIGUIENTES PUNTOS:

- A. Utilice esta unidad sólo de la manera concebida por el fabricante. Si tiene alguna pregunta, comuníquese con el fabricante.
- B. Antes de realizar reparaciones o limpiar la unidad, desconecte la energía del panel de servicio y bloquee los medios de desconexión para evitar el accionamiento de la energía de manera accidental. Cuando los medios de desconexión de servicio no pueden bloquearse, coloque sobre el panel de servicio un dispositivo de advertencia bien visible, como una etiqueta.
- C. No utilice esta unidad con ningún dispositivo de control de velocidad de estado sólido.
- D. Esta unidad debe contar con conexión a tierra.

⚠ PRECAUCIÓN – Sólo para ventilación general. No lo utilice para ventilar materiales o vapores peligrosos o explosivos.

⚠ PRECAUCIÓN – Para reducir el riesgo de incendio y para eliminar el aire de escape correctamente, asegúrese de dirigir el aire del conducto hacia el exterior. No ventile el aire de escape en espacios dentro de paredes o cielorrasos o en áticos, huecos sanitarios o garajes.

⚠ ADVERTENCIA – PARA REDUCIR EL RIESGO DE LESIONES A PERSONAS SI SE PRODUCE UN INCENDIO DE GRASA EN LA ESTUFA, CUMPLA CON LOS SIGUIENTES PUNTOS*:

- A. APAGUE LAS LLAMAS con una tapa que ajuste bien, una plancha para galletas o bandeja de metal, y luego apague el quemador. TENGA CUIDADO A FIN DE EVITAR QUEMADURAS. Si las llamas no se apagan de inmediato, SALGA DE LA VIVIENDA Y LLAME AL DEPARTAMENTO DE BOMBEROS.
- B. NUNCA LEVANTE UNA SARTÉN EN LLAMAS— Usted puede quemarse.
- C. NO UTILICE AGUA, incluyendo repasadores o toallas húmedos—se provocará una violenta explosión de vapor.
- D. Utilice un extintor SÓLO si:
 1. Usted sabe que cuenta con un extintor Clase ABC y ya sabe cómo utilizarlo.
 2. El incendio es pequeño y se contuvo en el área donde comenzó.
 3. Se está llamando al departamento de bomberos.
 4. Usted puede combatir el incendio con su espalda apuntando hacia una salida.

* Basado en "Consejos de seguridad sobre incendio en la cocina" publicado por NFPA.



PRECAUCIONES DE SEGURIDAD

⚠ ADVERTENCIA – PARA REDUCIR EL RIESGO DE UN INCENDIO DE GRASA SOBRE UNA ESTUFA:

- A. Nunca deje unidades de superficie desatendidas en configuraciones de calor elevadas. Los alimentos que hierven y se derraman provocan humo y derrames grasos que pueden prenderse fuego. Caliente los aceites lentamente en configuraciones bajas o medias.
- B. Siempre encienda (**ON**) la campana cuando cocine con configuraciones elevadas o cuando flambee alimentos (por ej., Crepes Suzette, cerezas Jubilee, carne flambeada a la pimienta en grano).
- C. Limpie los ventiladores con frecuencia. No debe permitirse la acumulación de grasa en el ventilador o en el filtro.
- D. Utilice el tamaño de recipiente adecuado. Siempre utilice recipientes de cocción apropiados para el tamaño del elemento de superficie.

⚠ ADVERTENCIA – PARA REDUCIR EL RIESGO DE INCENDIO, DESCARGA ELÉCTRICA O LESIONES A PERSONAS, CUMPLA CON LOS SIGUIENTES PUNTOS:

- A. El trabajo de instalación y el cableado eléctrico deben realizarlo personas calificadas en cumplimiento con todos los códigos y normas aplicables, incluyendo construcción con clasificación para incendios.
- B. Se necesita suficiente aire para una combustión y escape de gases adecuados a través de la ventilación (chimenea) de equipamiento de combustión de combustible para evitar la contracorriente. Siga las pautas y normas de seguridad de fabricante del equipamiento de calefacción, tales como las publicadas por la Asociación Nacional de Protección contra Incendios (NFPA), la Sociedad Estadounidense de Ingenieros en Calefacción, Refrigeración y Aire Acondicionado (ASHRAE) y las autoridades de códigos locales.
- C. Cuando realice cortes o perforaciones dentro de paredes o cielorrasos, no dañe el cableado eléctrico y otros servicios públicos ocultos.
- D. Los sistemas de conductos siempre deben contar con una salida al exterior.

⚠ ADVERTENCIA – PARA REDUCIR EL RIESGO DE INCENDIO, SÓLO UTILICE CONDUCTOS DE METAL.

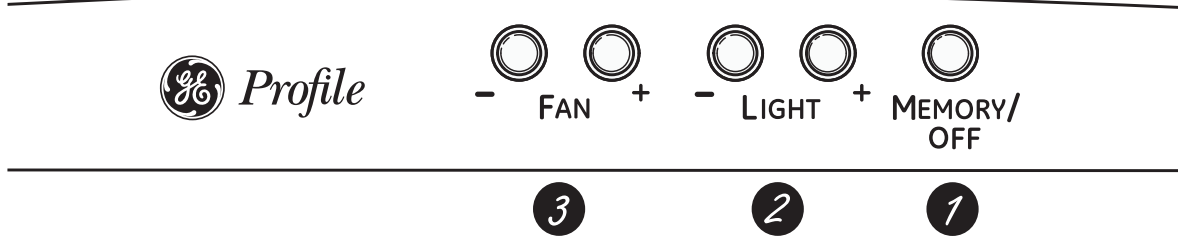
- No intente reparar o cambiar ninguna pieza de su campana a menos que esté específicamente recomendado en este manual. Cualquier otro servicio debe realizarlo un técnico calificado.



LEA Y SIGA ESTA INFORMACIÓN DE SEGURIDAD CUIDADOSAMENTE.

LEA Y GUARDE ESTAS INSTRUCCIONES

Cómo usar los controles de la campana.



- 1 MEMORY/OFF** (memoria/apagado). Para configurar la memoria:

 - A. Presione el botón **MEMORY/OFF**.
 - B. Ingrese las configuraciones deseadas de ventilación y de luz.
 - C. Presione el botón **MEMORY/OFF** de nuevo para guardar estas configuraciones.

Con sus configuraciones deseadas en la memoria, presione el botón **MEMORY/OFF** para restablecer los niveles de ventilación y de luz a sus configuraciones guardadas. Estas configuraciones permanecerán en la memoria hasta que se modifiquen u ocurra un corte de energía.

Para apagar la campana, presione el botón MEMORY/OFF.
- 2 LIGHT** (luz). Presione + o - para subir o bajar el nivel de luz hasta la configuración deseada. Hay dos niveles de luz (**LOW** [bajo], **HIGH** [alto]) y **OFF** (apagado). Si continúa presionando los botones + o -, la luz se desplazará a través de las configuraciones.

NOTA: Controle que sólo se instalen bombillas de 20 vatios (máximo).
- 3 FAN** (ventilador). Presione + o - para subir o bajar el nivel del ventilador hasta la configuración deseada. Hay 4 niveles de ventilación (**LOW**, **MED** [medio], **HIGH**, **BOOST** [impulso]) y **OFF**. Si continúa presionando los botones + o -, el ventilador se desplazará a través de las configuraciones.

NOTA: Puede oírse un pitido cada vez que se presiona un botón. Esto es normal.

NOTA: Los collarines ubicados alrededor de los botones se iluminan cuando se presionan los botones. Esto es normal. Los collarines se apagan en forma automática cuando se apaga la campana.

SENSOR DE CALOR:

Esta campana cuenta con un sensor de calor que enciende el ventilador si se detectan temperaturas excesivas (más de 70 °C/158 °F) sobre la superficie de cocción. La campana volverá a su funcionamiento normal una vez que el sensor de calor detecte temperaturas por debajo de 60 °C/140 °F.

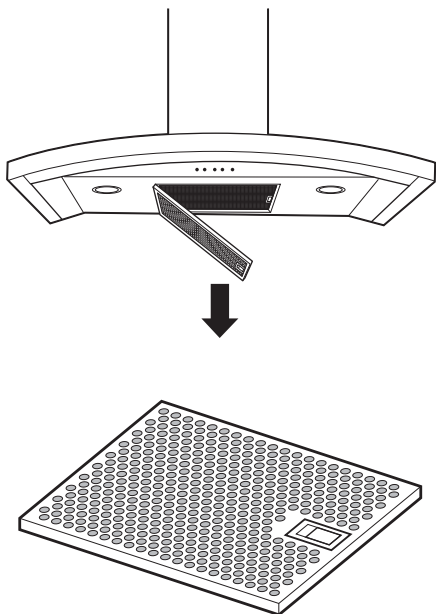
NOTA: Si la campana está **OFF** o en una velocidad de ventilación **LOW**, se detectan temperaturas por encima de 70 °C/158 °F; luego el ventilador se ajustará automáticamente a la velocidad **MED**. Usted puede ajustar la velocidad de ventilación a **HIGH** o **BOOST**, pero no podrá ajustar la velocidad del ventilador a **LOW** o **OFF** hasta que se detecten temperaturas por debajo de 60 °C/140 °F.

NOTA: Los collarines ubicados alrededor de los botones pueden no iluminarse si se activa el sensor de calor. Esto es normal.

Cuidado y limpieza de la campana de ventilación.

ge.com

Asegúrese de que la energía eléctrica esté apagada y que todas las superficies estén frías antes de limpiar o arreglar cualquier pieza de la campana de ventilación.



Filtro de grasa metálico

El filtro metálico atrapa la grasa liberada por los alimentos desde la estufa. El filtro también ayuda a evitar que las llamas (de los alimentos, grasa) dañen la parte interna de la campana.

Por esta razón, el filtro debe estar SIEMPRE en su lugar cuando la campana esté en funcionamiento. El filtro de grasa es apto para lavavajillas y debe limpiarse cada 6 meses, o según sea necesario.

Para quitar:

Tire hacia abajo la traba del filtro para liberarlo.

Para volver a colocar:

Coloque las lengüetas del extremo del filtro dentro de las ranuras del lado izquierdo de la abertura del filtro. Levante el lado derecho del filtro y presione ligeramente hasta que el filtro se trabe en su lugar. Verifique que la traba del filtro se encuentre en la posición cerrada para asegurar el filtro.

Para limpiar el filtro, utilice agua jabonosa caliente y enjuague con agua limpia o lávelo en el lavavajillas. No utilice productos de limpieza abrasivos.

NOTA: En el lavavajillas se producirá una leve decoloración.



Filtro de carbón

Sólo para instalación con recirculación

Si el modelo no tiene ventilación al exterior, el aire se recirculará a través de un filtro de carbón desechable que ayuda a remover humo y olores.

El filtro de carbón debe cambiarse cuando esté evidentemente sucio o decolorado (usualmente después de 6 a 12 meses, dependiendo del uso de la campana).

NOTA: NO enjuague o coloque el filtro de carbón en el lavavajillas automático.

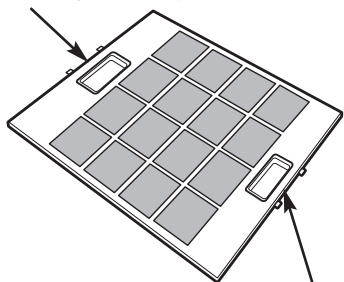
El filtro de carbón no puede limpiarse. Debe cambiarse.

Solicite el filtro de carbón WB02X11348.

Para consultar sobre la compra de filtros de carbón de repuesto o para encontrar la ubicación del distribuidor más cercano a su domicilio, llame a nuestro número gratuito:

**Centro nacional de piezas
800.626.2002**

Manija de la lengüeta de bloqueo



Manija de la lengüeta de bloqueo

Para quitar:

1. Quite el filtro metálico—ver la sección *Filtro de grasa metálico*.
2. Quite el filtro de carbón presionando sobre las dos manijas de las lengüetas de bloqueo.

Para volver a colocar:

1. Introduzca el filtro de carbón dentro de la abertura. Presione las manijas de las lengüetas de bloqueo hacia el centro y libérelas para sujetar las lengüetas de bloqueo.
2. Vuelva a colocar el filtro metálico—ver la sección *Filtro de grasa metálico*.

Instrucciones de Seguridad

Instrucciones de Operación

Cuidado y Limpieza

Solucionar Problemas

Apoyo al Cliente

Cuidado y limpieza de la campana de ventilación.

Asegúrese de que la energía eléctrica esté apagada y que todas las superficies estén frías antes de limpiar o arreglar cualquier pieza de la campana de ventilación.

Superficies de acero inoxidable

No utilice almohadillas de acero porque rayan la superficie.

Para limpiar la superficie de acero inoxidable, utilice agua tibia jabonosa o un limpiador o lustrador de acero inoxidable. Siempre limpie la superficie en dirección de la veta. Siga las instrucciones del producto para limpiar la superficie de acero inoxidable.

Para consultar sobre la compra de limpiadores o lustradores de aparatos de acero inoxidable, o para encontrar la ubicación del distribuidor más cercano, llame a nuestro número gratuito:

Centro nacional de piezas
800.626.2002

ge.com

Bombillas de luz

⚠ PRECAUCIÓN:

Antes de tocarlas, espere a que las bombillas se enfríen.

Para cambiar las bombillas de luz:

1. Quite la tapa de la bombilla introduciendo un destornillador plano dentro de las tres ranuras y liberándolas con cuidado.

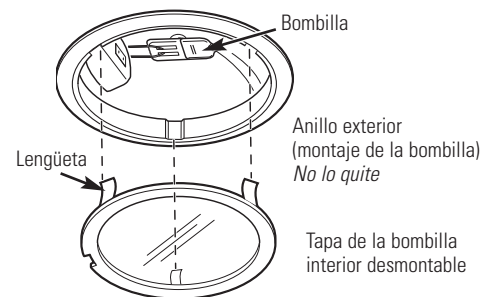
NOTA: No quite el anillo exterior (montaje de la bombilla).

2. Utilice guantes. No toque la bombilla con las manos desnudas. Los aceites de la piel pueden provocar una falla temprana de la bombilla.
3. Tome la bombilla y quítele directamente hacia afuera.
4. Coloque una bombilla de repuesto del mismo vataje. Si el vataje es muy elevado pueden producirse daños prematuros de la bombilla o daños o fallas en el transformador.

Estas bombillas halógenas de **12 voltios, 20 vatios** con una base G4 se encuentran disponibles en tiendas especializadas en iluminación y centros de construcción.

Para solicitar una bombilla de repuesto N° **WB01X10239**, comuníquese con el Centro nacional de piezas GE al 800.626.2002 o adquiérala en su minorista local.

5. Vuelva a colocar la tapa de la bombilla introduciendo las tres lengüetas de retención dentro de las tres ranuras y presionando firmemente en su lugar.



NOTA: Asegúrese de que las lengüetas estén colocadas en las ranuras.

Instrucciones de instalación

Campanas de ventilación de chimenea para isla

? ¿Preguntas? Llame al 800.GE.CARES (800.432.2737) o visite nuestro sitio Web en: ge.com

ANTES DE COMENZAR

Lea estas instrucciones por completo y con detenimiento.

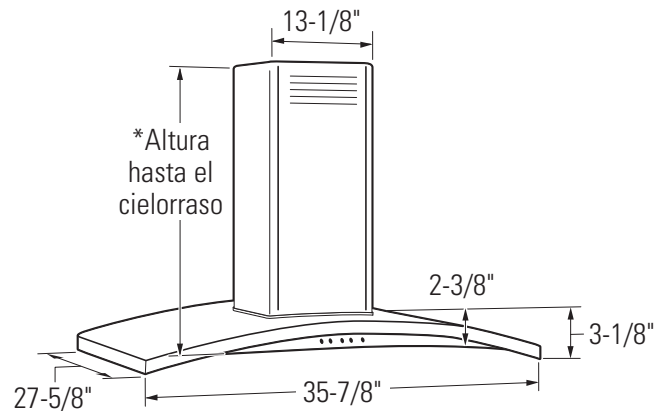
- **IMPORTANTE** – Guarde estas instrucciones para el uso de inspectores locales.
- **IMPORTANTE** – Cumpla con todos los códigos y ordenanzas vigentes.
- **Nota al instalador** – Asegúrese de dejar estas instrucciones con el Consumidor.
- **Nota al consumidor** – Conserve estas instrucciones para referencia futura.
- **Nivel de capacidad** – La instalación de esta campana de ventilación requiere capacidades mecánicas y eléctricas básicas.
- **Tiempo de finalización** – Aproximadamente de 4 a 6 horas.
- El instalador tiene la responsabilidad de efectuar una instalación adecuada.
- La Garantía no cubre las fallas del producto debido a una instalación incorrecta.

⚠ PRECAUCIÓN – Debido al peso y tamaño de estas campanas de ventilación y para reducir el riesgo de lesiones personales o daños al producto, **SE NECESITAN DOS PERSONAS PARA REALIZAR UNA INSTALACIÓN CORRECTA.**

PARA SU SEGURIDAD:

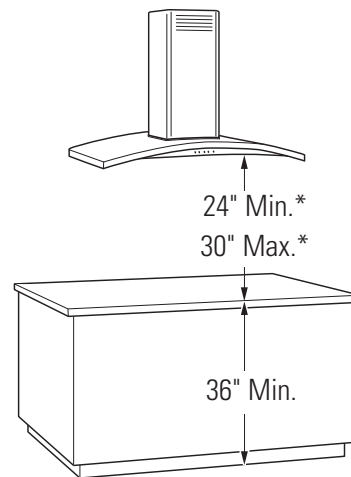
⚠ ADVERTENCIA – Antes de comenzar la instalación, desconecte la energía del panel de servicio y bloquee los medios de desconexión para evitar el accionamiento de la energía de manera accidental. Cuando los medios de desconexión de servicio no pueden bloquearse, coloque sobre el panel de servicio un dispositivo de advertencia bien visible, como una etiqueta.

DIMENSIONES DEL PRODUCTO



* Para las alturas del cielorraso de las cubiertas del conducto provistas para instalación ventilada e instalación con recirculación, consulte la tabla de la página 12.

ESPACIO DE INSTALACIÓN



* La altura de instalación exacta depende de la altura del cielorraso.

NOTA: La altura de instalación debe medirse desde la superficie de cocción hasta la parte inferior de la parte recta de la campana. Esta campana debe instalarse a un mín. de 24" y un máx. de 30" sobre la superficie de cocción. La superficie de cocción debe hallarse por lo menos a 36" sobre el piso. Esta campana puede ventilarse hacia el exterior, o puede instalarse para que realice una operación de recirculación.

Preparación para la instalación

PREPARACIÓN PARA INSTALAR LA CAMPANA

PLANIFICACIÓN PREVIA

Planificación de conductos

- Estas campanas de ventilación están equipadas con conductos redondos de 8".
- Determine la ubicación exacta de la campana de ventilación.
- Planifique el recorrido de la salida de ventilación hacia el exterior.
- Utilice el recorrido de conductos más corto y más recto posible. Para un desempeño satisfactorio, el recorrido de los conductos no debe superar una longitud equivalente a los 100 pies para ninguna configuración de conductos.
- Consulte la tabla "Accesorios de conductos" para calcular la longitud máxima permisible para recorridos de conductos hacia el exterior.
- Utilice sólo conductos de metal rígidos.
- Instale un casquete de techo con regulador de tiro en la abertura exterior. Solicite por adelantado el casquete y cualquier transición o longitud de conducto necesarios.

Armazones de cielorraso para un soporte adecuado

- Estas campanas de ventilación son muy pesadas. Debe contarse con un soporte estructural adecuado. La estructura del cielorraso debe poder soportar el peso de la campana y las cargas de contacto involuntarias ejercidas por el usuario (aproximadamente 200 libras). El armazón de la campana tendrá el soporte de un armazón cruzado de 2 x 4.
- La instalación será más fácil si la campana de ventilación se instala antes de la estufa o si el mostrador de encimera se encuentra instalado.

Cubiertas del conducto

- Todos los modelos se envían con cubiertas del conducto. Para las alturas del cielorraso de las cubiertas del conducto provistas para instalación ventilada e instalación con recirculación, consulte la tabla de la página 12.

SUMINISTRO DE ENERGÍA

IMPORTANTE – (Tenga a bien leer cuidadosamente)

⚠ ADVERTENCIA:

PARA SEGURIDAD PERSONAL, ESTE APARATO DEBE CONECTARSE A TIERRA DE MANERA ADECUADA.

Quite el fusible o abra el interruptor de circuitos antes de comenzar la instalación.

No utilice un cable de extensión o un enchufe adaptador con este artefacto. Siga los Códigos Eléctricos Nacionales o códigos y ordenanzas locales vigentes.

Suministro eléctrico

Estas campanas de ventilación deben contar con un suministro de 120V, 60Hz, deben estar conectadas a un circuito derivado individual con una adecuada conexión a tierra y deben contar con la protección de un interruptor de circuitos o un fusible con retraso de 15 o 20 amperios.

- El cableado debe ser de 2 hilos con conexión a tierra.
- Si el suministro eléctrico no cumple con los requisitos anteriores, llame a un electricista con licencia antes de continuar.
- Dirija el cableado doméstico lo más cerca posible a la ubicación de la instalación, en el cielorraso o pared trasera.
- Conecte el cableado al cableado doméstico en cumplimiento con los códigos locales.

Instrucciones de conexión a tierra

El conductor a tierra debe conectarse a un metal con conexión a tierra, un sistema de cableado permanente o una terminal o conductor de conexión a tierra del equipamiento en la campana.

⚠ ADVERTENCIA: Una conexión inadecuada del conductor de conexión a tierra del equipamiento puede provocar un riesgo de descarga eléctrica. Consulte a un electricista calificado o representante de servicio técnico si tiene dudas sobre la correcta conexión a tierra del artefacto.

Preparación para la instalación

ACCESORIOS PARA CONDUCTOS

Esta campana debe usar un conducto redondo de 8". Puede conectarse a un conducto de 3-1/4" x 12".

Utilice esta tabla para calcular las longitudes máximas permitidas para recorridos de conductos hacia el exterior.

NOTA: ¡No supere las longitudes equivalentes máximas permitidas!

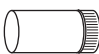



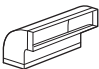
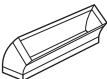



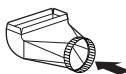
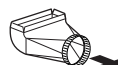



Longitud máxima de conducto: 100 pies.

Conductos flexibles:

Si se utilizan conductos flexibles de metal, todos los valores equivalentes en pies de la tabla deben duplicarse. El conducto flexible de metal debe ser recto y liso y debe extenderse lo máximo posible.

NO USE conductos flexibles de plástico.

NOTA: Cualquier sistema de ventilación doméstico, como una campana de ventilación, puede interrumpir el flujo adecuado de aire de combustión y de escape requerido para chimeneas, hornos a gas, calentadores de agua a gas y otros sistemas de ventilación natural. Para minimizar las posibilidades de interrupción de tales sistemas de ventilación natural, siga las pautas y normas de seguridad del fabricante del equipamiento de calefacción, tales como las publicadas por NFPA y ASHRAE.

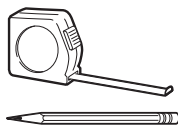
Pieza de conducto	Dimensiones	Longitud equivalente*	Cantidad utilizada	Longitud equivalente total
	Redondo y recto	1 pie recto (por longitud de pie)		
	Recto de 3-1/4" x 12"	1 pie recto (por longitud de pie)		
	Codo de 90°	17 pies		
	Codo de 45°	10 pies		
	Codo de 90° de 3-1/4" x 12"	43 pies		
	Codo de 45° de 3-1/4" x 12"	26 pies		
	Codo plano de 90° de 3-1/4" x 12"	102 pies		
	Redondo de 8" a transición de 3-1/4" x 12"	2 pies		
	3-1/4" x 12" a transición redonda de 8"	5 pies		
	Redondo de 8" a codo de 90° de transición de 3-1/4" x 12"	6 pies		
	3-1/4" x 12" a codo de 90° de transición redondo de 8"	13 pies		
	Cubierta de pared redonda con regulador de tiro	32 pies		
	Cubierta de pared de 3-1/4" x 12" con regulador de tiro	75 pies		
	Casquete de techo redondo	44 pies		

*Longitud real del conducto recto más equivalente de accesorio de conducto. La longitud equivalente de las piezas de conductos se encuentra basada en pruebas reales realizadas por el grupo de Ingeniería de Evaluación de GE y reflejan los requisitos para un buen desempeño de ventilación con cualquier campana de ventilación.

Recorrido total de los conductos _____

Preparación para la instalación

HERRAMIENTAS Y MATERIALES REQUERIDOS (NO SUMINISTRADOS)



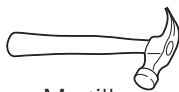
Lápiz y cinta métrica



Gafas de seguridad



Nivel de burbuja de aire



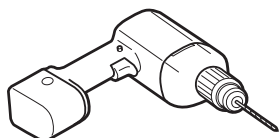
Martillo



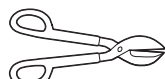
Destornillador de estrella



Linterna



Perforadora eléctrica con brocas de 3/16", de estrella N° 2 y cabeza plana



Tijeras para metal



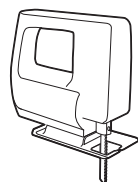
Alicates



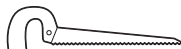
Escalera



Alicate pelacables



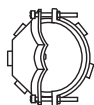
Sierra sable o serrucho de calar



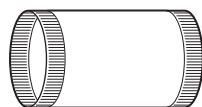
Tapones de alambre aprobados por UL



Cinta aislante de aluminio



Alivio de tensión para la caja de conexiones



Conducto de metal redondo de 8", longitud suficiente para la instalación



Cable de 120V, 60Hz 15 o 20 amperios de 2 hilos con circuito derivado con conexión a tierra

QUITE EL ENVOLTORIO

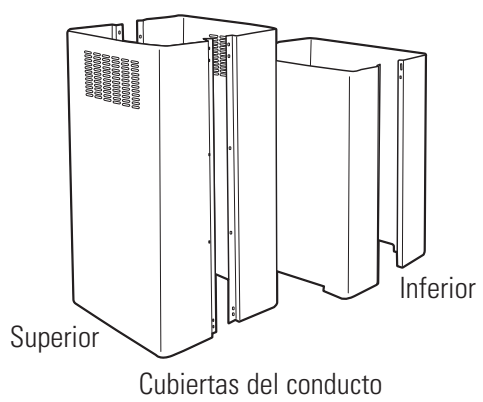
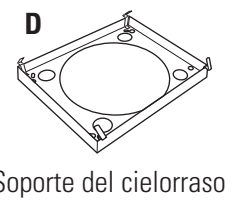
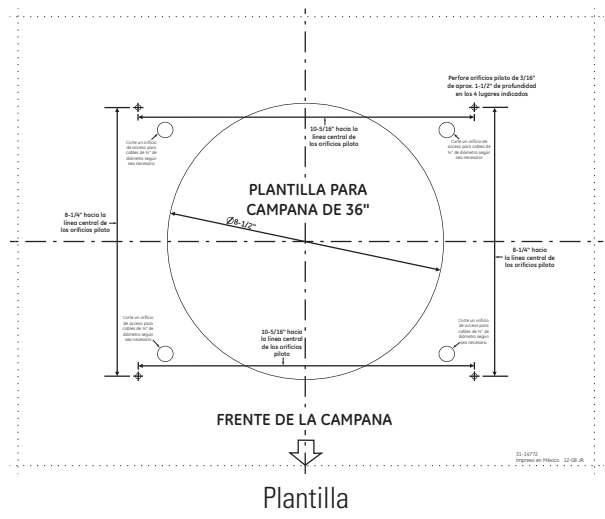
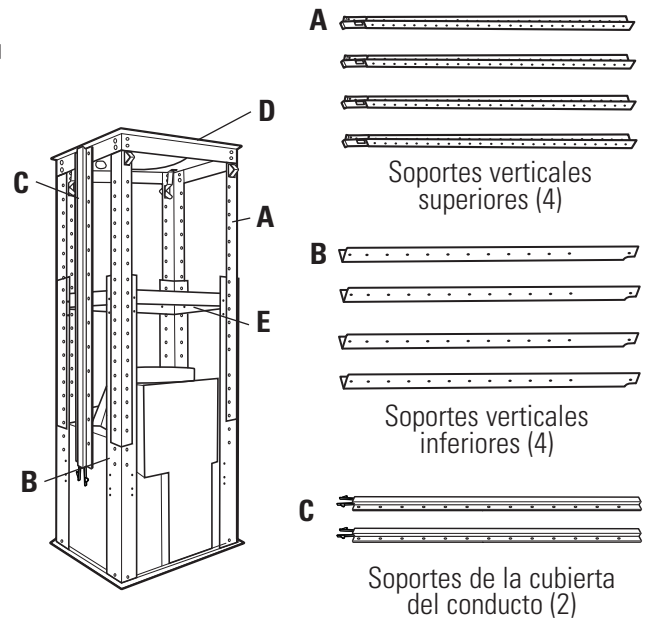
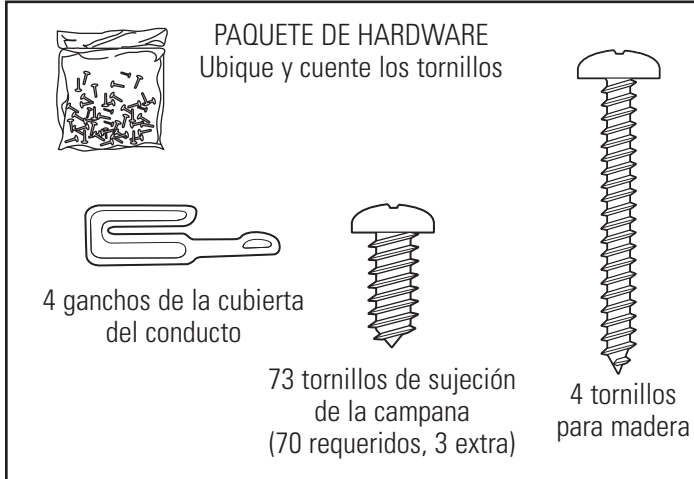
⚠ PRECAUCIÓN: Se guantes para protegerse de los bordes afilados.

- Quite las cubiertas de los conductos.
- Quite la bolsa de piezas, el paquete de instrucciones y otras piezas en cajas.
- Quite y descarte adecuadamente el envoltorio plástico de protección y otros materiales de empaque.

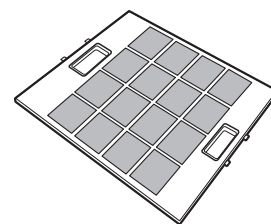
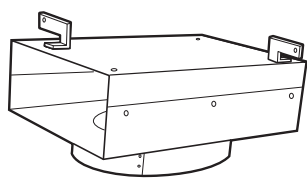
Preparación para la instalación

CONTROLE LAS PIEZAS DE INSTALACIÓN

Ubique el paquete de hardware embalado con la campana y verifique los contenidos.



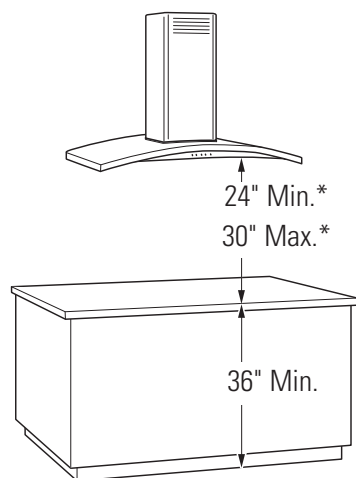
KIT DE RECIRCULACIÓN (Incluido)



Preparación para la instalación

DETERMINE LA ALTURA DE INSTALACIÓN

- Se ofrecen cubiertas plegables para ocultar los conductos que se extienden hasta el cielorraso.
- Esta campana puede instalarse para una operación de recirculación. Se incluye un kit de recirculación con la campana.



* La altura de instalación exacta depende de la altura del cielorraso.

NOTA: La altura de instalación debe medirse desde la superficie de cocción hasta la parte plana de la sección inferior de la campana.

Para un desempeño óptimo, la campana debe instalarse a un mín. de 24" y un máx. de 30" sobre la superficie de cocción. La altura de instalación de la campana depende de la altura del cielorraso.

PV977 – Isla

Cubierta de conducto superior		29.92
Cubierta de conducto inferior		25.98
Mostrador hasta la altura de la campana		
Altura real del cielorraso	*Altura de instalación posible CON VENTILACIÓN	*Altura de instalación posible CON RECIRCULACIÓN
7' 11"	24"	24"
8' 0"	24" a 25"	24" a 25"
8' 1"	24" a 26"	24" a 26"
8' 2"	24" a 27"	24" a 27"
8' 3"	24" a 28"	24" a 28"
8' 4"	24" a 29"	24" a 29"
8' 5"	24" a 30"	24" a 30"
8' 6"	24" a 30"	24" a 30"
8' 7"	24" a 30"	24" a 30"
8' 8"	24" a 30"	24" a 30"
8' 9"	24" a 30"	24" a 30"
8' 10"	24" a 30"	24" a 30"
8' 11"	24" a 30"	24" a 30"
9' 0"	24" a 30"	24" a 30"
9' 1"	24" a 30"	24" a 30"
9' 2"	24" a 30"	24" a 30"
9' 3"	24" a 30"	24" a 30"
9' 4"	24" a 30"	24" a 30"
9' 5"	26" a 30"	24" a 30"
9' 6"	26" a 30"	24" a 30"
9' 7"	27" a 30"	24" a 30"
9' 8"	28" a 30"	24" a 30"
9' 9"	29" a 30"	24" a 30"
9' 10"	30"	25" a 30"
9' 11"		26" a 30"
10' 0"		27" a 30"
10' 1"		28" a 30"
10' 2"		29" a 30"
10' 3"		30"

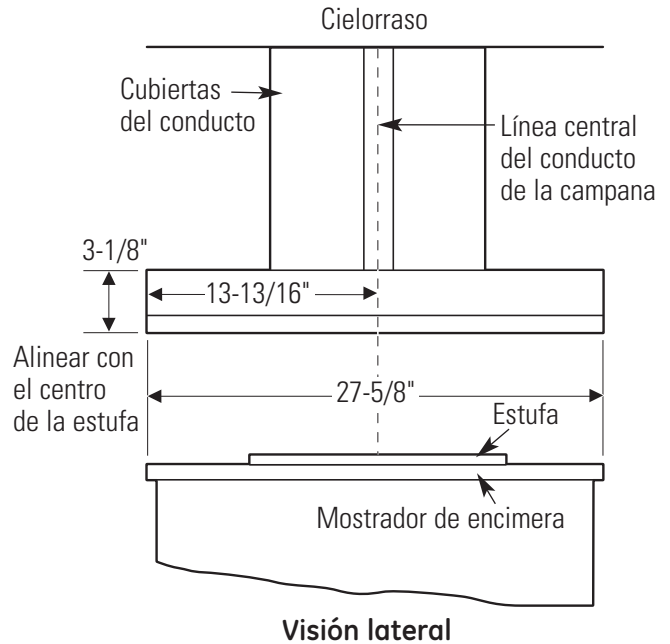
*Basado en una altura de mostrador de encimera de 36".

Preparación para la instalación

CONSTRUYA EL SOPORTE DEL CIELORRASO

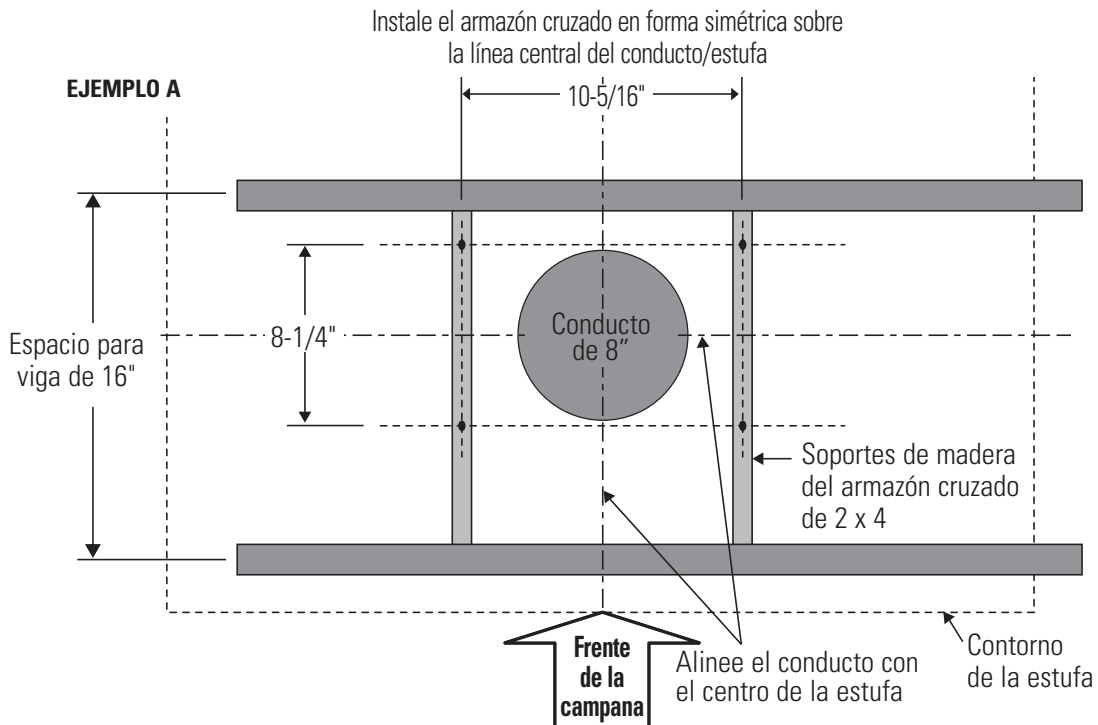
Planifique la ubicación de la campana y del conducto

- Utilice una plomada para verificar la ubicación. El mostrador de encimera/la estufa debajo de la campana deben centrarse respecto de la campana.
- La campana debe extenderse más allá de los bordes frontal y trasero del aparato de cocción.
- El conducto del cielorraso debe centrarse sobre la estufa.



Estructura del soporte de cielorraso

- En la ubicación de la campana, instale un armazón cruzado entre las vigas como se indica. (Se requieren soportes de madera de 2 x 4 para sostener el peso de la campana.)
- Coloque el armazón cruzado en el cielorraso de modo que se ajuste a la estructura existente.
- Las vigas del cielorraso serán como uno de los siguientes ejemplos.

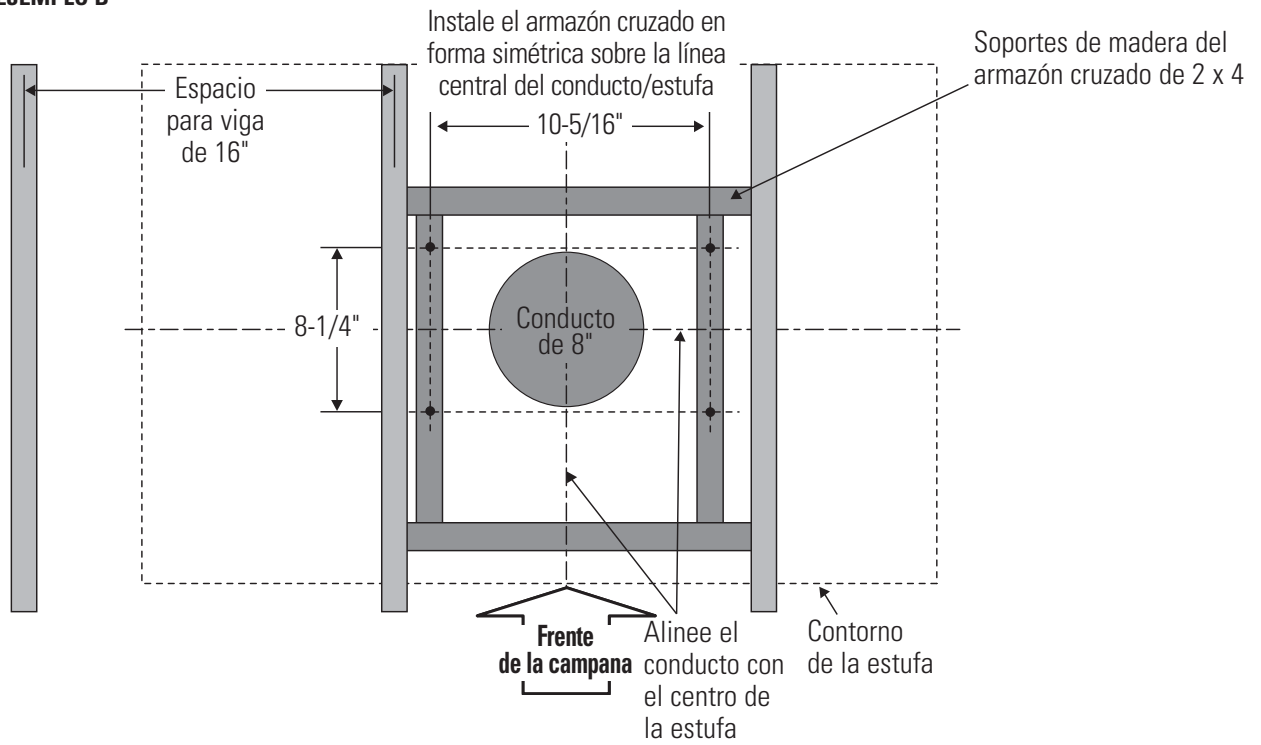


Visión superior – vigas del cielorraso paralelas al frente de la campana

Preparación para la instalación

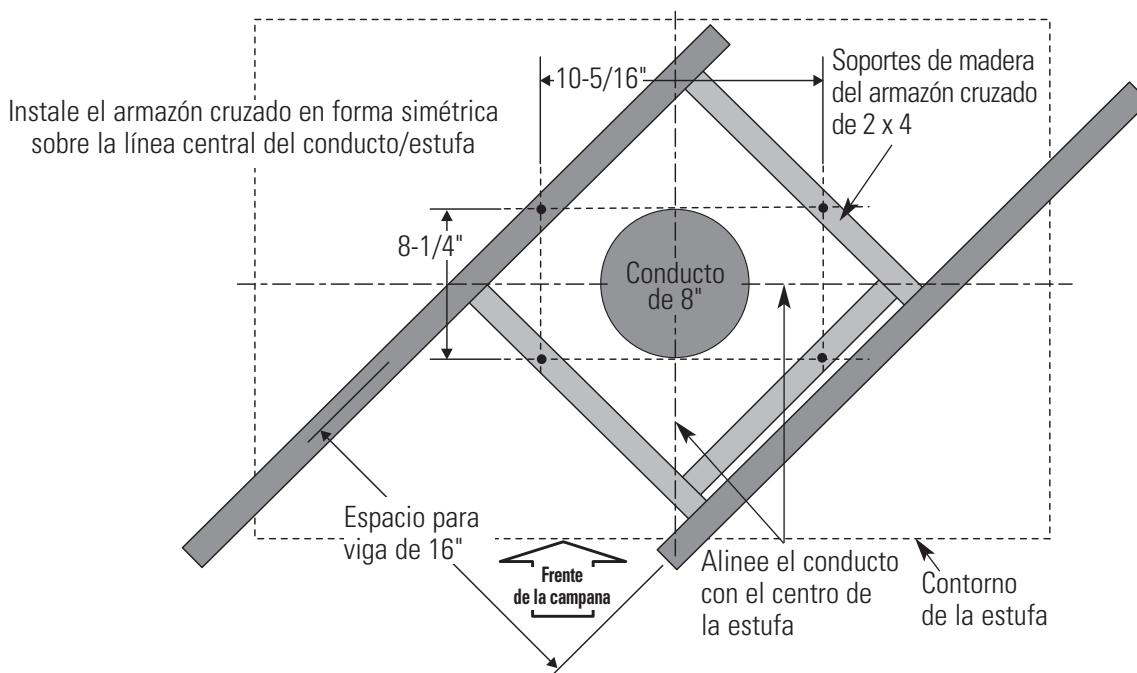
CONSTRUYA EL SOPORTE DEL CIELORRASO (continuación)

EJEMPLO B



Visión superior – las vigas del cielorraso corren paralelas al frente de la campana

EJEMPLO C



Visión superior – vigas del cielorraso en ángulo con el frente de la campana

Preparación para la instalación

CONSTRUYA EL SOPORTE DEL CIELORRASO (continuación)

- Fije cada bloque de 2 x 4 con por lo menos cuatro (4) tornillos para madera N°10 de 3" de longitud (no provistos). Utilice un total de 8 tornillos para madera para los dos soportes.
- **El armazón cruzado debe estar precisamente alineado para garantizar una posición correcta de la campana.**
- El armazón cruzado debe estar nivelado en todas las direcciones. Controle con un nivel de burbuja y ajuste si hiciera falta.

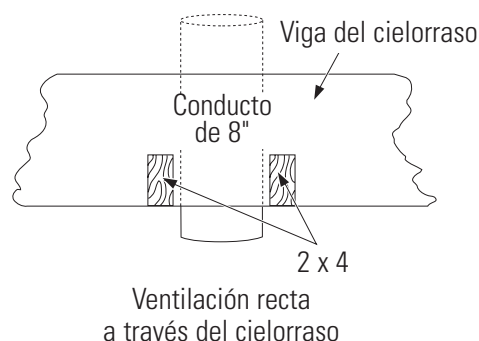
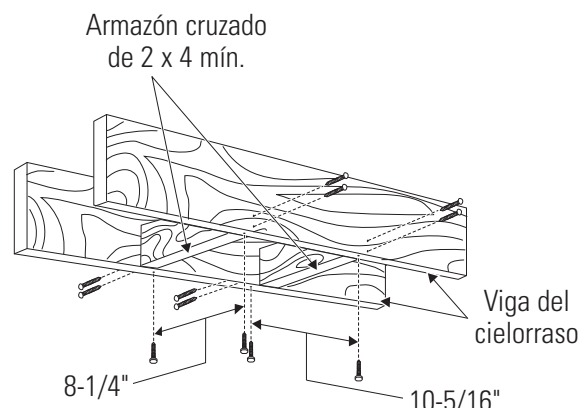
IMPORTANTE: La estructura del cielorraso debe poder soportar el peso de la campana (aproximadamente 200 libras) y las cargas de contacto involuntarias ejercidas por el usuario. El armazón de la campana tendrá el soporte de un armazón cruzado de 2 x 4.

Conductos para instalaciones con ventilación hacia el exterior

- Utilice el recorrido de conductos más corto y más recto posible. Para un desempeño satisfactorio, el recorrido de los conductos no debe superar una longitud equivalente a los 100 pies para ninguna configuración de conductos.
- Consulte la tabla "Accesorios de conductos" para calcular la longitud máxima permisible para recorridos de conductos hacia el exterior.
- Esta campana de ventilación debe utilizar un conducto rígido redondo de 8".
- Instale el conducto doméstico para que corra en forma horizontal entre las vigas del cielorraso o en forma recta a través del techo.

Finalice el cielorraso

- Finalice la superficie del cielorraso. Asegúrese de marcar la ubicación de las vigas del cielorraso y del armazón cruzado. Controle que el cielorraso esté nivelado; utilice cuñas si fuese necesario.



Instrucciones de instalación

INSTALACIÓN—VENTILACIÓN HACIA EL EXTERIOR

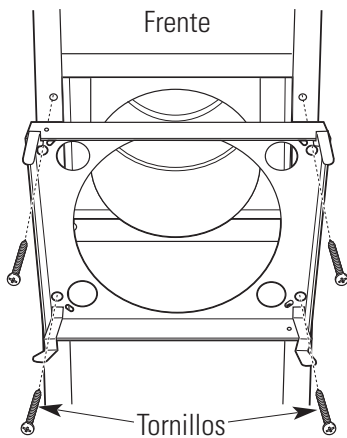
PASO 1 COLOQUE LA PLANTILLA

- Alinee la plantilla con las marcas sobre el cielorraso y adhiera en su lugar con cinta.
 - Asegúrese de que la plantilla esté bien orientada con el frente de la campana.
- Utilice una plomada para asegurar que los orificios de montaje brinden una alineación paralela con el mostrador de encimera de abajo.
- Determine la ubicación del orificio de acceso para cables.
- Centre todas las ubicaciones de tornillos y de orificios para cable determinados.
- Perfore orificios piloto en las 4 ubicaciones para tornillos. Utilice una broca de 3/16" y perfore con una profundidad de aproximadamente 1-1/2".
- Perfore un orificio de 1/2" para los cables.
- Corte la abertura de conducto de 8-1/2" a través del cielorraso.



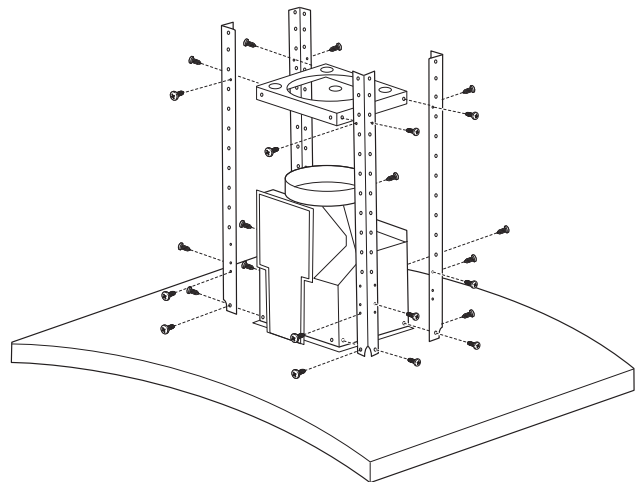
PASO 2 INSTALE EL SOPORTE DEL CIELORRASO

- Utilizando los 4 tornillos provistos, sujete el soporte del cielorraso al cielorraso sobre el orificio de abertura del conducto mediante los orificios piloto perforados en el paso 1.



PASO 3 INSTALE LOS SOPORTES VERTICAL INFERIOR Y HORIZONTAL AL MONTAJE DE LA CAMPANA

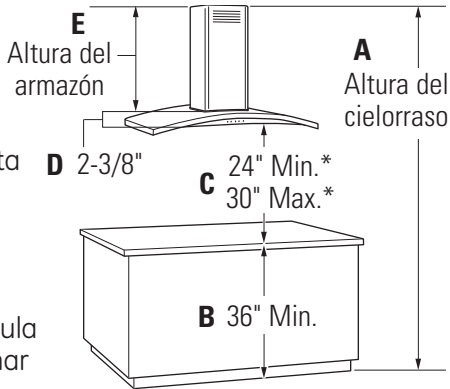
- Utilizando los tornillos provistos, sujete los 4 soportes verticales inferiores al montaje de la campana con 4 tornillos por soporte.
- Utilizando los tornillos provistos, instale el soporte horizontal en los orificios externos superiores de los soportes verticales.



Instrucciones de instalación

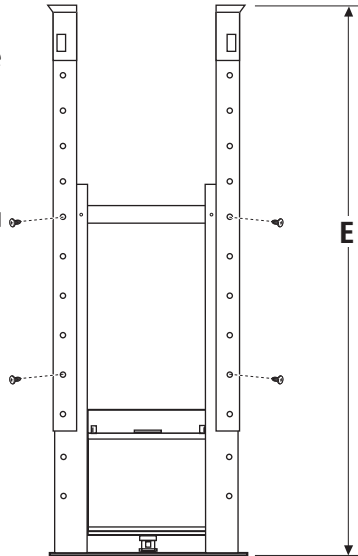
PASO 4 DETERMINE LA ALTURA DEL ARMazón

- Mida la altura exacta del cielorraso.
- Consulte la altura exacta del cielorraso requerida en la tabla de la página 12.
- Use esta fórmula para determinar la altura del armazón:



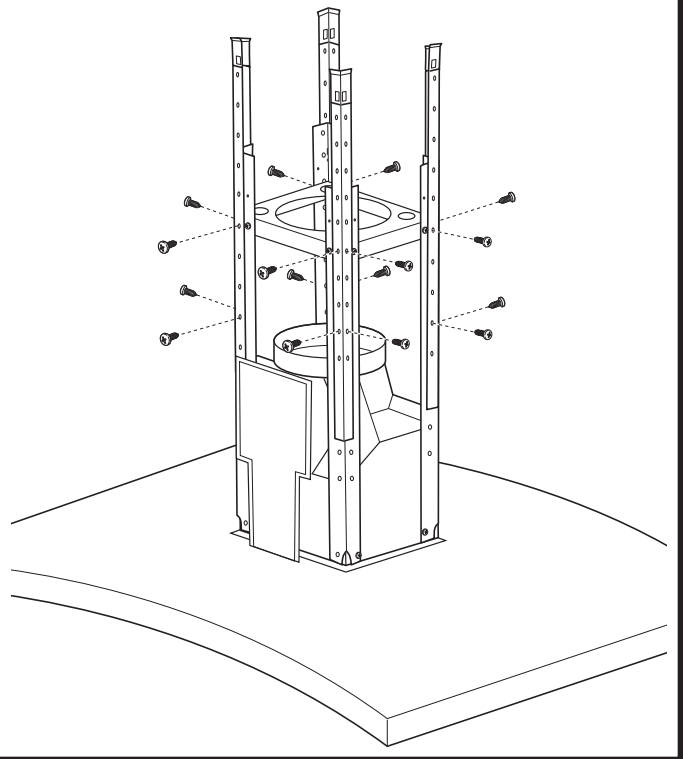
*Ver la tabla de la página 12.

$A - (B + C + D) =$ Altura del armazón E, donde A es la altura del cielorraso, B es la altura del mostrador de encimera, C es la altura determinada por la tabla de la página 12, D es la altura de la campana medida desde la porción inferior recta hasta la parte superior central.



PASO 5 INSTALE LOS SOPORTES VERTICALES SUPERIORES EN EL MONTAJE DE LA CAMPANA

- Determine qué cantidad de los soportes verticales superiores tendrán que estar sobre los soportes inferiores para alcanzar la altura del armazón establecida en el paso 4 de esta instalación.
- Utilizando los tornillos provistos, sujete los 4 soportes verticales superiores a los soportes verticales inferiores en la posición determinada para la altura del armazón. Los soportes verticales superiores se montan en el lado externo de los soportes inferiores.

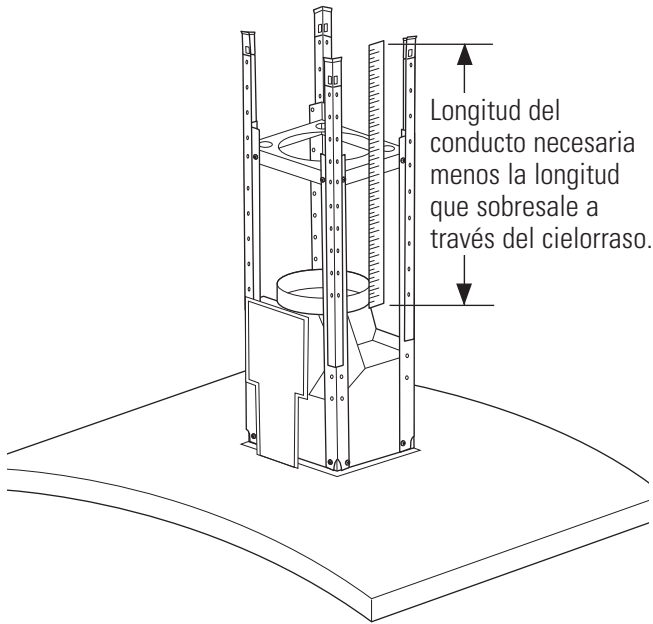


Instrucciones de instalación

INSTALACIÓN—VENTILACIÓN HACIA EL EXTERIOR

PASO 6 CORTE EL CONDUCTO CON LA LONGITUD PARA UNA INSTALACIÓN VENTILADA

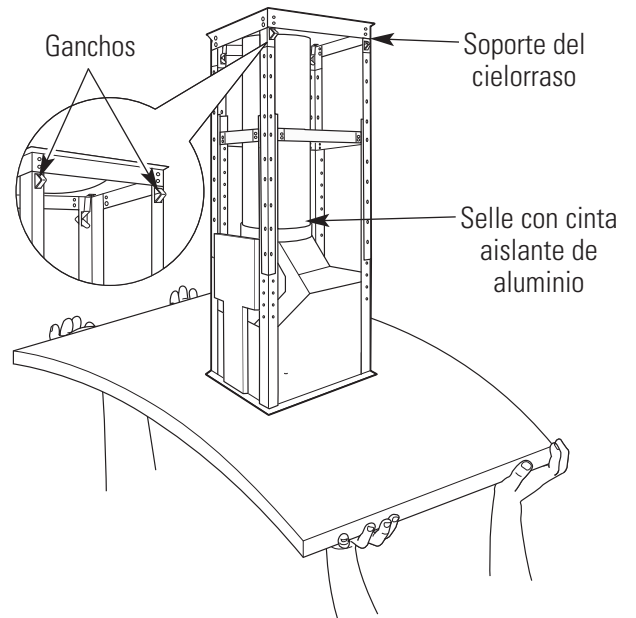
- Mida desde la abertura de escape de la campana hasta la parte superior de los soportes como puede verse en la figura.
- Reste la longitud del conducto que sobresalga a través del cielorraso.
- Corte el conducto de 8" con la longitud apropiada. Fije el conducto del cielorraso utilizando cinta de aluminio y tornillos.



PASO 7 INSTALE EL MONTAJE DE LA CAMPANA EN EL SOPORTE DEL CIELORRASO

⚠ ADVERTENCIA: Se necesitan dos personas para levantar y colocar la campana sobre el soporte.

- Levante el montaje de la campana hasta el soporte del cielorraso. Con cuidado coloque el conducto recién montado sobre la abertura de escape del montaje de la campana. Los ganchos del soporte del cielorraso se trabarán dentro de las aberturas grandes de los soportes verticales superiores.
- Utilizando los tornillos provistos, sujete los soportes verticales superiores al soporte del cielorraso, 4 tornillos por lado, hasta alcanzar un total de 16 tornillos.
- Selle el conducto con cinta aislante de aluminio.



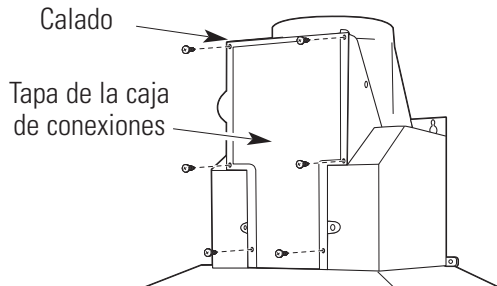
Instrucciones de instalación

PASO 8 CONECTE LOS ELEMENTOS ELÉCTRICOS

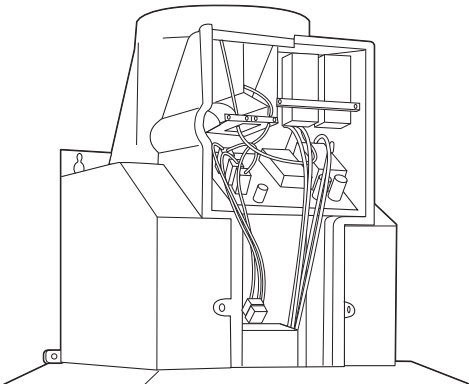
Verifique que la energía esté cortada en la fuente.

⚠ ADVERTENCIA: Si el cableado doméstico no cuenta con un cable de 2 hilos con conexión a tierra, un instalador debe realizar una conexión a tierra. Cuando el cableado doméstico es de aluminio, asegúrese de usar un compuesto antioxidante y conectores de aluminio a cobre aprobados por UL.

- Quite los 6 tornillos de la tapa de la caja de conexiones y el calado sobre la parte superior izquierda.



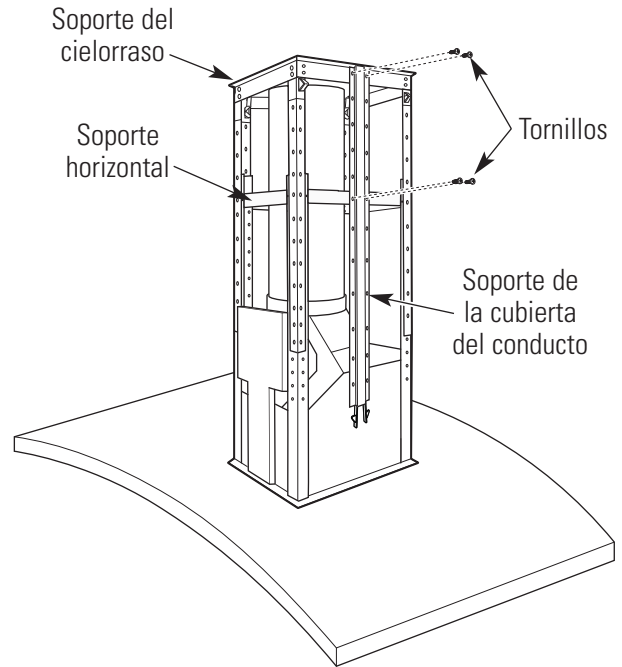
- Asegure el cableado doméstico a la caja de conexiones con un alivio de tensión (no provisto).



- Conecte el cable blanco al cable blanco del circuito derivado.
- Conecte el cable negro al cable negro del circuito derivado.
- Conecte el cable verde/amarillo al cable verde del circuito derivado o al cable de conexión a tierra.
- Ajuste todas las conexiones con tapones de alambre sobre cada conector eléctrico.
- Empuje los cables dentro de la caja de conexiones y vuelva a colocar la tapa. Verifique que los cables no sufran pellizcos.
- Ajuste la tapa de la caja de conexiones con los 6 tornillos originales.

PASO 9 INSTALE LOS SOPORTES DE LA CUBIERTA DEL CONDUCTO

- Sujete los soportes de la cubierta del conducto a los costados de los soportes horizontales y de cielorraso usando 4 tornillos por soporte.



Instrucciones de instalación

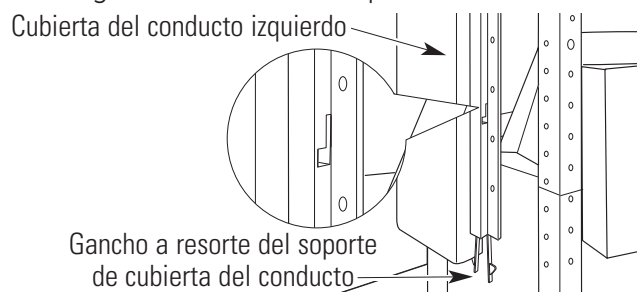
INSTALACIÓN—VENTILACIÓN HACIA EL EXTERIOR

PASO 10 INSTALE LAS CUBIERTAS DEL CONDUCTO

IMPORTANTE: Se necesitan dos personas para instalar las cubiertas del conducto.

NOTA: Si va a instalar esta campana para una operación de recirculación, coloque las cubiertas del conducto sobre la campana con las ranuras de ventilación en la parte superior. Si la campana se ventila hacia el exterior, los orificios deben colocarse en la parte inferior.

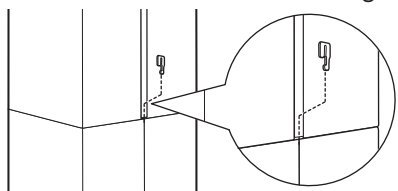
- Quite la película protectora de todas las cubiertas del conducto.
- Coloque una cubierta del conducto superior sobre la parte trasera del montaje del soporte. Las lengüetas de los extremos de la cubierta del conducto se deslizarán dentro de una ranura del soporte. Cuando las 6 lengüetas de la cubierta del conducto se encuentran en las ranuras de los dos soportes de la cubierta del conducto, deslice la cubierta hacia arriba para que quede colocada en el gancho a resorte del soporte.



- Coloque un gancho de la cubierta del conducto en la parte inferior de la cubierta del conducto inferior, trabando el gancho en su lugar. Repita en el otro lado.

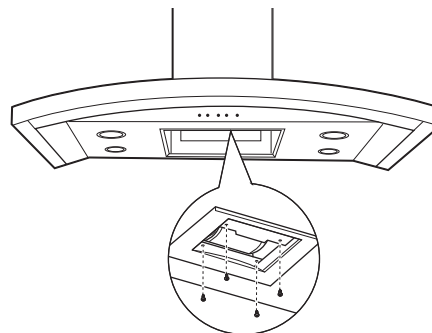


- Baje la cubierta del conducto dentro del espacio de la campana, con cuidado de sostener el gancho en su lugar mientras baja la cubierta del conducto sobre el montaje de la campana.
- Coloque la cubierta del conducto inferior frontal en el espacio de la campana trabándola en el gancho de la cubierta del conducto de la cubierta trasera.
- Coloque un gancho de la cubierta del conducto en la parte superior de cada lado donde se juntan las cubiertas del conducto frontal y trasera. Esto mantendrá unidas las cubiertas trasera y frontal.



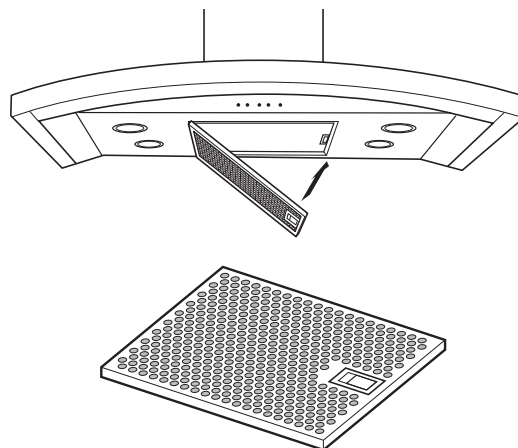
PASO 10 INSTALE LAS CUBIERTAS DEL CONDUCTO (cont.)

- Usando los tornillos provistos, fije las cubiertas del conducto inferiores al montaje de la campana desde la parte inferior de la campana.



PASO 11 INSTALE EL FILTRO DE GRASA METÁLICO

- Quite la película protectora del filtro de grasa.
NOTA: No se necesita el filtro de carbón para esta instalación.
- Coloque las lengüetas del extremo del filtro dentro de las ranuras del lado izquierdo de la abertura del filtro. Levante el lado derecho del filtro y presione ligeramente hasta que el filtro se traben en su lugar. Verifique que la traba del filtro se encuentre en la posición cerrada para asegurar el filtro.
- Para quitar el filtro, tire de la traba del filtro hacia abajo.



Instrucciones de instalación

INSTALACIÓN—RECIRCULACIÓN

PASO 1 COLOQUE LA PLANTILLA

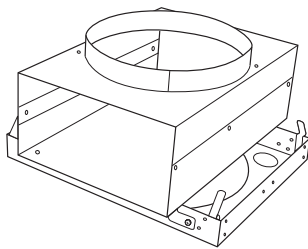
- Alinee la plantilla con las marcas sobre el cielorraso y adhiera en su lugar con cinta.
 - Asegúrese de que la plantilla esté bien orientada con el frente de la campana.
- Utilice una plomada para asegurar que los orificios de montaje brinden una alineación paralela con el mostrador de encimera de abajo.
- Determine la ubicación del orificio de acceso para cables.
- Centre todas las ubicaciones de tornillos y de orificios para cable determinados.
- Perfore orificios piloto en las 4 ubicaciones para tornillos. Utilice una broca de 3/16" y perfore con una profundidad de aproximadamente 1-1/2".
- Perfore un orificio de 1/2" para los cables.



NOTA: No corte la abertura del conducto indicada en la plantilla para esta instalación con recirculación.

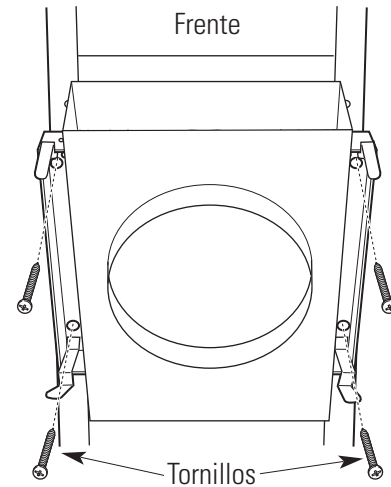
PASO 2 INSTALE EL DEFLECTOR DE AIRE DENTRO DEL SOPORTE DEL CIELORRASO

- Coloque el soporte del cielorraso sobre una superficie firme, con el lado del gancho hacia arriba.
- Coloque el deflector de aire en el soporte del cielorraso, con la abertura del conducto hacia arriba y uno de los lados abiertos hacia lo que será el frente del montaje de la campana. Las lengüetas del deflector quedarán hacia el lado exterior del soporte del cielorraso.
- Utilizando los 2 tornillos provistos, fije las lengüetas del deflector al soporte del cielorraso.



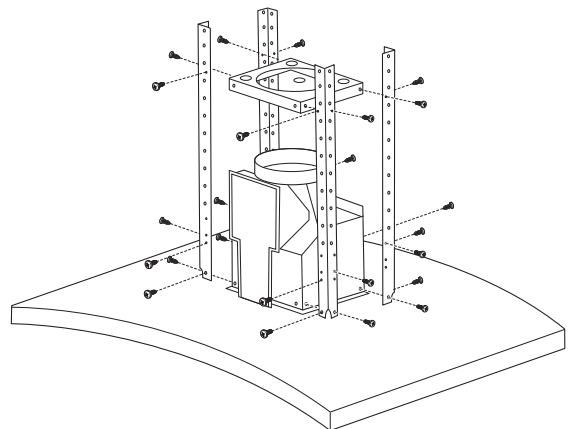
PASO 3 INSTALE EL MONTAJE DEL SOPORTE DEL CIELORRASO Y DEFLECTOR

- Utilizando los 4 tornillos para madera provistos, sujete el soporte del cielorraso utilizando los orificios piloto perforados en el paso 1.



PASO 4 INSTALE LOS SOPORTES VERTICAL INFERIOR Y HORIZONTAL EN EL MONTAJE DE LA CAMPANA

- Utilizando los tornillos provistos, sujete los 4 soportes verticales inferiores al montaje de la campana con 4 tornillos por soporte.
- Utilizando los tornillos provistos, instale el soporte horizontal en los segundos orificios externos de los soportes verticales.



Instrucciones de instalación

INSTALACIÓN—RECIRCULACIÓN

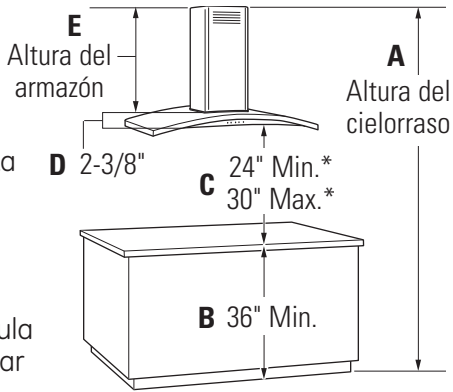
PASO 5 DETERMINE LA ALTURA DEL ARMAZÓN

- Mida la altura exacta del cielorraso.

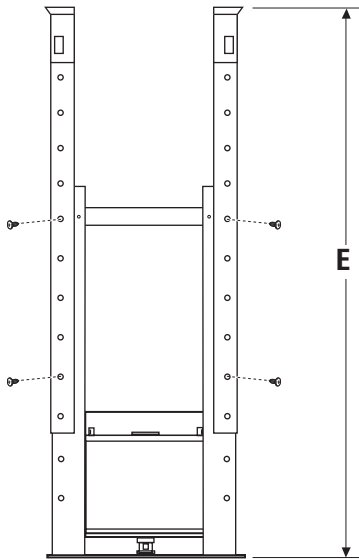
- Consulte la altura exacta del cielorraso requerida en la tabla de la página 12.

- Use esta fórmula para determinar la altura del armazón:

$A - (B + C + D) =$ Altura del armazón E, donde A es la altura del cielorraso, B es la altura del mostrador de encimera, C es la altura determinada por la tabla de la página 12, D es la altura de la campana medida desde la porción inferior recta hasta la parte superior central.

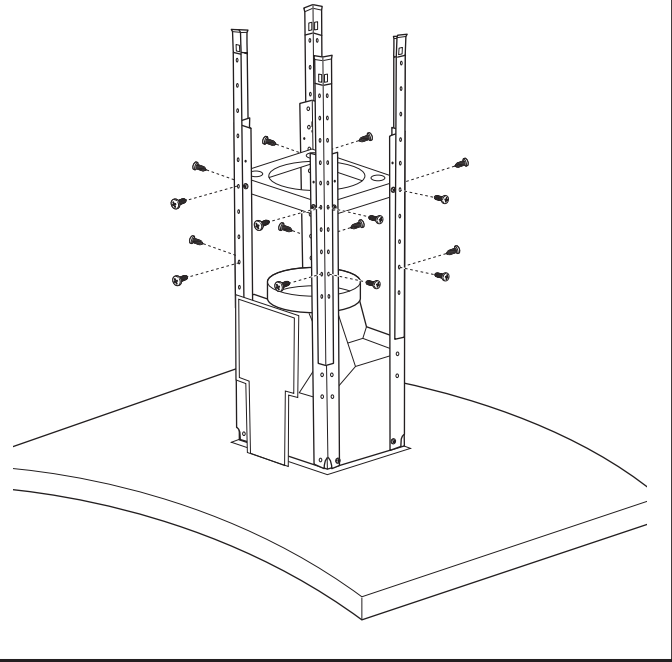


*Ver la tabla de la página 12.



PASO 6 INSTALE EL SOPORTE VERTICAL SUPERIOR

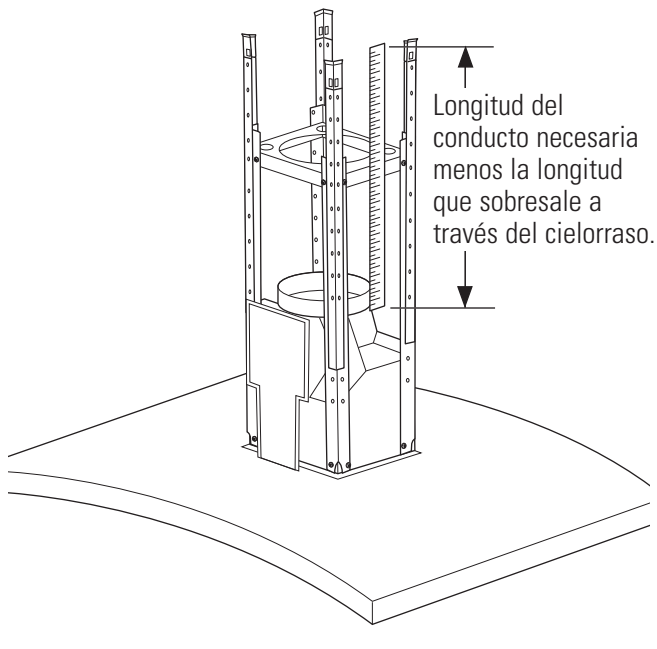
- Utilizando los tornillos provistos, sujete los 4 soportes verticales superiores a los soportes verticales inferiores en la posición determinada para la altura del armazón. Los soportes verticales superiores se montan en el lado externo de los soportes inferiores.



Instrucciones de instalación

PASO 7 DETERMINE LA LONGITUD DEL CONDUCTO E INSTÁLELO

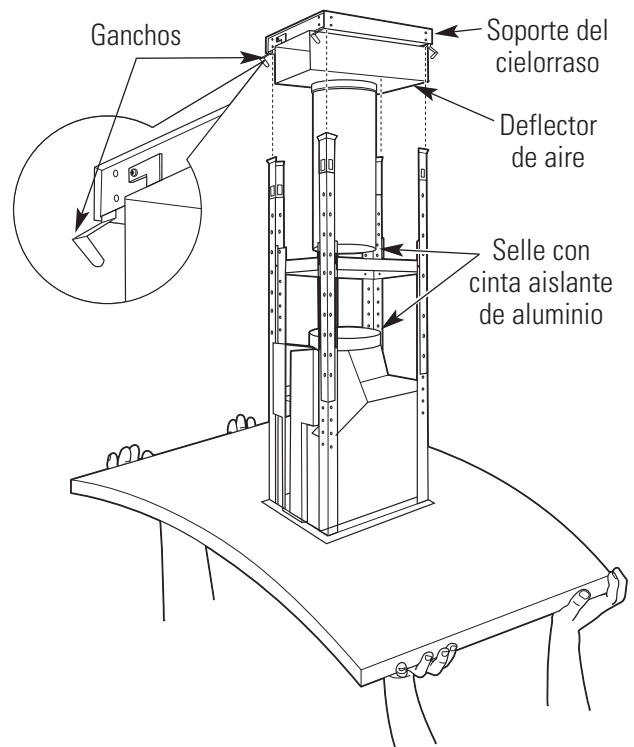
- Mida desde la abertura de escape de la campana hasta la parte superior de los soportes como puede verse en la figura.
- Reste la altura del deflector de aire.
- Corte el conducto de 8" con la longitud apropiada. Fije el deflector de aire utilizando cinta de aluminio y tornillos.



PASO 8 INSTALE EL MONTAJE DE LA CAMPANA EN EL SOPORTE DEL CIELORRASO

⚠ ADVERTENCIA: Se necesitan dos personas para levantar y colocar la campana sobre el soporte.

- Con cuidado levante el montaje de la campana hasta el soporte del cielorraso. Los ganchos del soporte del cielorraso se trabarán dentro de las aberturas de los soportes verticales.
- Deslice el conducto sobre la abertura de escape.
- Utilizando los tornillos provistos, sujete los soportes verticales superiores al soporte del cielorraso, 2 tornillos por lado, hasta alcanzar un total de 16 tornillos.
- Selle el conducto de aire a la abertura de escape utilizando cinta aislante de aluminio.



Instrucciones de instalación

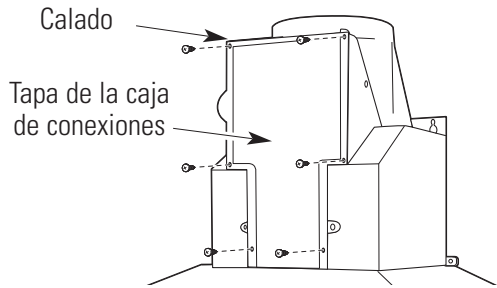
INSTALACIÓN—RECIRCULACIÓN

PASO 9 CONECTE LOS ELEMENTOS ELÉCTRICOS

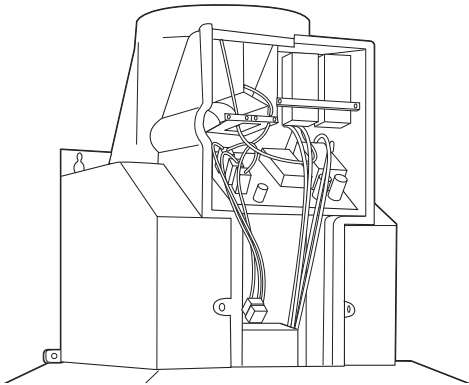
Verifique que la energía esté cortada en la fuente.

⚠ ADVERTENCIA: Si el cableado doméstico no cuenta con un cable de 2 hilos con conexión a tierra, un instalador debe realizar una conexión a tierra. Cuando el cableado doméstico es de aluminio, asegúrese de usar un compuesto antioxidante y conectores de aluminio a cobre aprobados por UL.

- Quite los 6 tornillos de la tapa de la caja de conexiones y el calado sobre la parte superior izquierda.



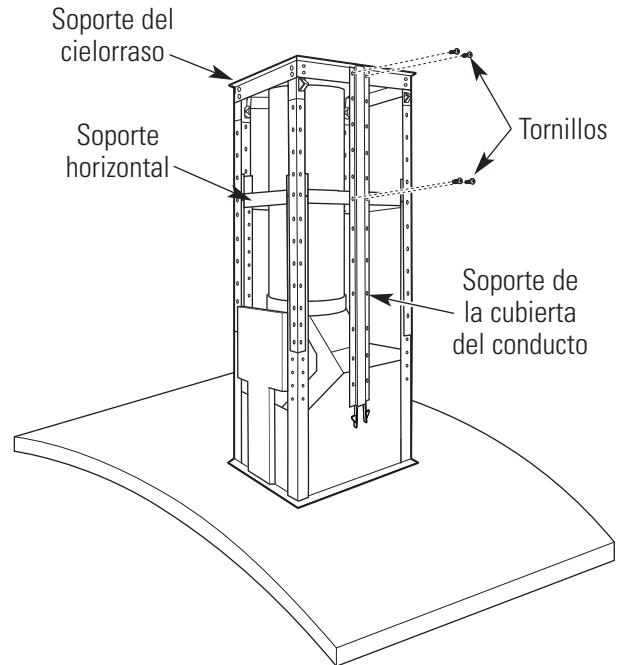
- Asegure el cableado doméstico a la caja de conexiones con un alivio de tensión (no provisto).



- Conecte el cable blanco al cable blanco del circuito derivado.
- Conecte el cable negro al cable negro del circuito derivado.
- Conecte el cable verde/amarillo al cable verde del circuito derivado o al cable de conexión a tierra.
- Ajuste todas las conexiones con tapones de alambre sobre cada conector eléctrico.
- Empuje los cables dentro de la caja de conexiones y vuelva a colocar la tapa. Verifique que los cables no sufran pellizcos.
- Ajuste la tapa de la caja de conexiones con los 6 tornillos originales.

PASO 10 INSTALE LOS SOPORTES DE LA CUBIERTA DEL CONDUCTO

- Sujete los soportes de la cubierta del conducto a los costados de los soportes horizontales y de cielorraso usando 4 tornillos por soporte.



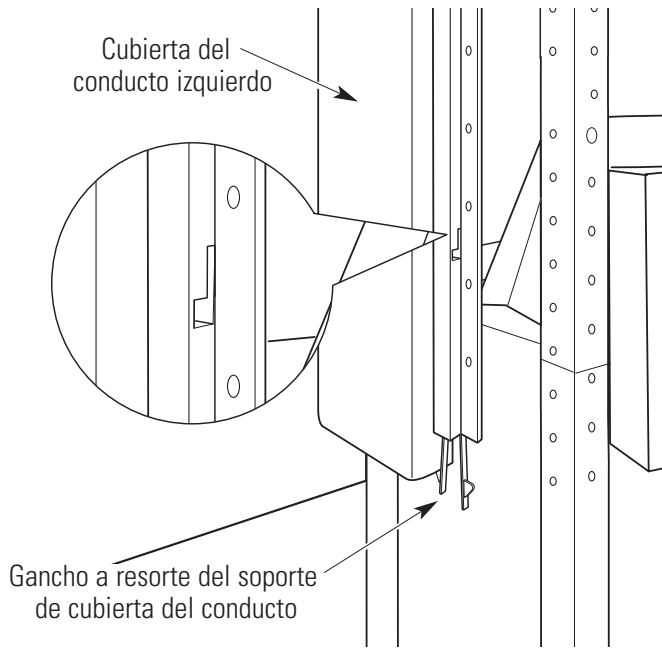
Instrucciones de instalación

PASO 11 INSTALE LAS CUBIERTAS DEL CONDUCTO

IMPORTANTE: Se necesitan dos personas para instalar las cubiertas del conducto.

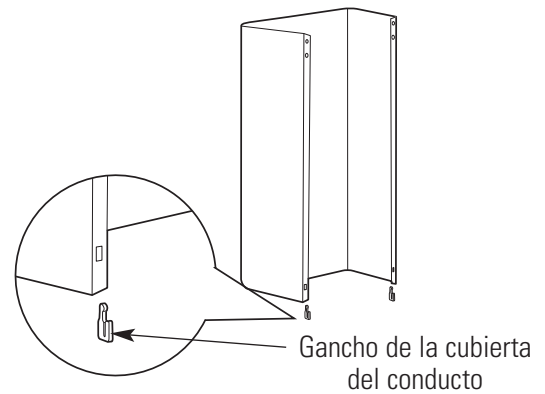
NOTA: Si va a instalar esta campana para una operación de recirculación, coloque las cubiertas del conducto sobre la campana con las ranuras de ventilación en la parte superior. Si la campana se ventila hacia el exterior, los orificios deben colocarse en la parte inferior.

- Quite la película protectora de todas las cubiertas del conducto.
- Coloque una cubierta del conducto sobre la parte trasera del montaje del soporte. Las lengüetas de los extremos de la cubierta del conducto se deslizarán dentro de una ranura del soporte. Cuando las 6 lengüetas de la cubierta del conducto se encuentran en las ranuras de los dos soportes de la cubierta del conducto, deslice la cubierta hacia arriba para que quede colocada en el gancho a resorte del soporte.

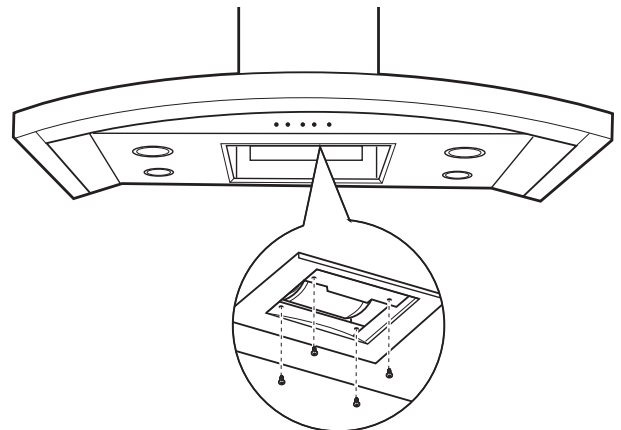


PASO 11 INSTALE LAS CUBIERTAS DEL CONDUCTO (cont.)

- Coloque un gancho de la cubierta del conducto en la parte inferior de la cubierta del conducto inferior, trabando el gancho en su lugar. Repita en el otro lado.
- Baje la cubierta del conducto dentro del espacio de la campana.
- Coloque la cubierta del conducto inferior frontal en el espacio de la campana trabándola en el gancho de la cubierta del conducto de la cubierta trasera.
- Coloque un gancho de la cubierta del conducto sobre cada lado donde se juntan las cubiertas del conducto frontal y trasera. Esto mantendrá unidas las cubiertas trasera y frontal.



- Usando los tornillos provistos, fije las cubiertas del conducto inferiores al montaje de la campana desde la parte inferior de la campana.



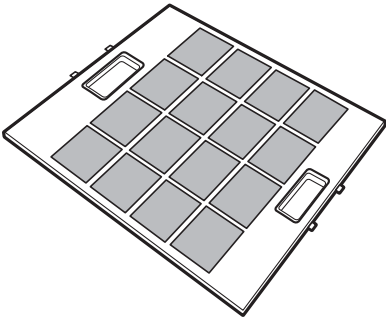
Instrucciones de instalación

INSTALACIÓN—RECIRCULACIÓN

PASO 12 INSTALE LOS FILTROS

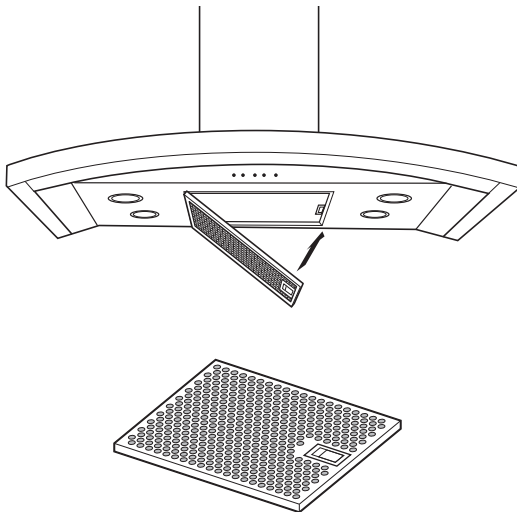
Filtro de carbón

Introduzca el filtro de carbón dentro de la abertura. Presione la traba sobre ambos lados hacia el centro y sujete la brida.



Filtro de grasa metálico

- Quite la película protectora del filtro de grasa.
- Coloque las lengüetas del extremo del filtro dentro de las ranuras del lado izquierdo de la abertura del filtro. Levante el lado derecho del filtro y presione ligeramente hasta que el filtro se trabe en su lugar. Verifique que la traba del filtro se encuentre en la posición cerrada para asegurar el filtro.
- Para quitar el filtro, tire de la traba del filtro hacia abajo.



Antes de llamar al servicio técnico...



Consejos para identificación y solución de problemas
¡Ahorre tiempo y dinero! Lea la siguiente tabla primero
y quizás no necesite llamar al servicio técnico.

Problema	Causas posibles	Qué hacer
El ventilador/la luz no funcionan cuando se presionan los botones	El fusible puede haberse quemado o el interruptor de circuitos puede haber saltado.	<ul style="list-style-type: none"> • Cambie los fusibles o reconfigure el interruptor de circuitos.
El ventilador no funciona cuando se presiona el botón + o - del ventilador o el botón MEMORY/OFF (memoria/apagado)	El conector del ventilador está suelto o no se encuentra enchufado dentro de su conector correspondiente.	<ul style="list-style-type: none"> • Desconecte la electricidad hacia la unidad. Quite los filtros y observe el ventilador. Si el enchufe del conector del ventilador está suelto o si ve el conector colgando, el instalador no lo enchufó firmemente. Ver las <i>Instrucciones de instalación</i> para la ubicación del enchufe y sobre cómo enchufar el conector.
Ruido de flujo de aire muy elevado o anormal	Tamaño de conducto incorrecto utilizado en la instalación.	<ul style="list-style-type: none"> • Esta campana requiere un conducto de 8" y una longitud máxima de conducto de 100 pies equivalentes para funcionar correctamente. Utilizar conductos más pequeños o longitudes equivalentes mayores provocará una ventilación inadecuada. Los técnicos de GE no pueden corregir este problema si hay una instalación inadecuada.
El ventilador no hace circular aire o desplaza el aire más despacio que lo normal y/o hace ruido de flujo de aire elevado o anormal	Obstrucciones en el conducto.	<ul style="list-style-type: none"> • Verifique que no haya obstrucciones en la ventilación. Controle que la cubierta de pared o casquete de techo tengan una hoja o puerta.
	La hoja del regulador de tiro de la cubierta de pared o casquete de techo puede estar cerrada.	<ul style="list-style-type: none"> • Asegúrese de que el regulador de tiro se mueva libremente. Las hojas del regulador de tiro pueden darse vuelta y no se abrirán por completo cuando esto suceda. Ajustela con la posición original.
	El filtro de grasa metálico y el filtro de carbón (si lo hubiera) pueden estar sucios.	<ul style="list-style-type: none"> • Limpie el filtro de grasa metálico y vuelva a colocar el filtro de carbón (si lo hubiera). Ver <i>Cuidado y limpieza de la campana de ventilación</i>.
Los controles de la campana no funcionan correctamente	Error en el circuito lógico.	<ul style="list-style-type: none"> • Desconecte la electricidad de la campana reconfigurando el interruptor de circuitos. Espere 30 segundos para que los controles vuelvan a configurarse.
Falla temprana de la bombilla	Cambiar las bombillas con las manos desnudas.	<ul style="list-style-type: none"> • Cambie las bombillas usando guantes para evitar el contacto de aceites de la piel con las bombillas. • El vataje de la bombilla es muy elevado. Utilice el vataje correcto.
La campana no funciona cuando se presiona el botón MEMORY/OFF. Todos los collarines ubicados alrededor de los botones se encuentran iluminados.	La característica de memoria no se ha configurado. Esto es normal.	<ul style="list-style-type: none"> • Siga los procedimientos para configurar el botón MEMORY/OFF. Ajuste las configuraciones del ventilador y de luz de acuerdo con sus preferencias.

Instrucciones de Seguridad

Instrucciones de Operación

Cuidado y Limpieza

Solucionar Problemas

Apoyo al Cliente

Antes de llamar al servicio técnico...



Consejos para identificación y solución de problemas
¡Ahorre tiempo y dinero! Lea la siguiente tabla primero
y quizás no necesite llamar al servicio técnico.

Problema	Causas posibles	Qué hacer
<i>El ventilador se encendió solo y se encuentra en la configuración MED (media). La configuración de ventilador puede ajustarse pero no apagarse (OFF).</i>	Se encuentra activado el sensor de calor.	<ul style="list-style-type: none"> • Esto es normal cuando las temperaturas debajo de la campana superan los límites del sensor de calor. Quite la fuente de calor debajo de la campana o espere a que la campana se enfríe a niveles apropiados. La campana se apagará automáticamente o volverá a su configuración original una vez que el sensor detecte que la temperatura ha alcanzado una condición segura.
<i>El collarín ubicado alrededor del botón de presión no se ilumina cuando se presiona.</i>	El botón de presión puede estar trabado.	<ul style="list-style-type: none"> • Controle el botón de presión afectado y verifique que no esté trabado. Llame al servicio técnico si continúa el problema.
<i>Dos o más collarines ubicados alrededor de los botones de presión no se iluminan cuando se presionan.</i>	Dos o más botones de presión pueden estar trabados.	<ul style="list-style-type: none"> • Controle los botones de presión afectados y verifique que no estén trabados. Llame al servicio técnico si continúa el problema.
<i>Las presiones secuenciales a los botones LIGHT (luz) o FAN (ventilador) cambian la configuración de baja a OFF (apagado), a la configuración más alta, a OFF, a la configuración</i>	Esto es normal. Es una característica de la campana que los botones LIGHT y FAN se desplacen entre configuraciones para poder programar fácilmente los controles en la configuración deseada.	<ul style="list-style-type: none"> • No se requiere una acción.

Garantía de GE campanas de ventilación.



Todos los servicios de garantía los proporcionan nuestros Centros de Reparación de Fábrica o nuestros técnicos Customer Care® autorizados. Para concertar una cita de reparación, en línea, visítenos en ge.com, o llame al 800.GE.CARES (800.432.2737). Cuando llame para solicitar servicio, por favor tenga a mano el número de serie y el número de modelo.

Peque aquí su recibo. Se requiere facilitar prueba de la fecha de compra original para obtener un servicio bajo la garantía.

Por el período de: **GE reemplazará:**

Un año

A partir de la fecha de la compra original

Cualquier parte de la estufa de cubierta a gas que falle debido a defectos en los materiales o en la fabricación. Durante esta **lgarantía limitada de un año**, GE también proporcionará, all labor **sin costo alguno**, toda la mano de obra y el servicio relacionado para reemplazar partes defectuosas.

Lo que no está cubierto por GE:

- Viajes de servicio a su casa para mostrarle cómo funciona el equipo.
- Instalación o entrega inapropiada, o mantenimiento impropio.
- Fallo del producto resultante de modificaciones al producto o debido a uso incorrecto incluyendo no proporcionar mantenimiento razonable y necesario.
- Reemplazo de fusibles de la casa o reajuste del sistema de circuitos.
- Daño al producto causado por accidentes, incendios, inundaciones o actos de la naturaleza de fuerza mayor.
- Daños incidentales o consecuenciales causados por defectos posibles con este aparato.
- Daños causados después de la entrega.
- Producto no accesible para facilitar el servicio requerido.

EXCLUSIÓN DE GARANTÍAS IMPLÍCITAS—Su único y exclusivo derecho es la reparación del producto, tal y como se indica en esta Garantía limitada. Cualquier garantía implícita, incluyendo las garantías implícitas de comerciabilidad o adecuación para un fin determinado, están limitadas a un año o el período de tiempo más breve permitido por la ley.

Esta garantía se extiende al comprador original y cualquier comprador posterior de productos comprados para uso residencial dentro des Estados Unidos. Si el producto está situado en un área que no dispone de servicio por parte de un proveedor de servicio autorizado de GE, podría tener que hacerse cargo de los costes de envío o bien podría solicitársele que lleve el producto a una centro de servicio de GE autorizado para realizar la reparación. En Alaska, la garantía excluye el costo de envío o las visitas de servicio a su casa.

Algunos estados no permiten la exclusión o las limitaciones de daños incidentales o consecuenciales. Esta garantía da derechos legales específicos, y usted podría tener otros derechos que variarán de estado a estado. Para saber cuáles son sus derechos legales, consulte a la oficina de asuntos del consumidor local o la oficina del Procurador (Attorney General) en su localidad.

Garante: General Electric Company. Louisville, KY 40225

Instrucciones de Seguridad

Instrucciones de Operación

Cuidado y Limpieza

Solucionar Problemas

Apoyo al Cliente

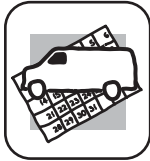
Apoyo al consumidor.



Página Web de GE Appliances

ge.com

¿Tiene alguna pregunta sobre su electrodoméstico? ¡Pruebe la página Web de GE Appliances, cualquier día del año! Para mayor conveniencia y servicio más rápido, ya puede descargar los Manuales de los Propietarios, pedir piezas o incluso hacer una cita en línea para que vengan a realizar una reparación.



Solicite una reparación

ge.com

El servicio de expertos GE está a tan sólo un paso de su puerta. ¡Entre en línea y solicite su reparación cuando le venga cualquier día del año! O llame al 800.GE.CARES (800.432.2737) durante horas normales de oficina.



Real Life Design Studio (Estudio de diseño para la vida real)

ge.com

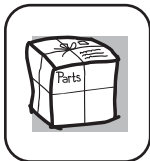
GE apoya el concepto de Diseño Universal—productos, servicios y ambientes que pueden usar gente de todas las edades, tamaños y capacidades. Reconocemos la necesidad de diseñar para una gran gama de habilidades y dificultades físicas y mentales. Para más detalles sobre las aplicaciones de GE Diseño Universal, incluyendo ideas de diseño para la cocina para personas con discapacidades, mire nuestra página Web hoy mismo. Para personas con dificultades auditivas, favor de llamar al 800.TDD.GEAC (800.833.4322).



Garantías ampliadas

ge.com

Compre una garantía ampliada y obtenga detalles sobre descuentos especiales disponibles mientras su garantía está aún activa. Puede comprarla en línea en cualquier momento, o llamar al 800.626.2224 durante horas normales de oficina. GE Consumer Home Services estará aún ahí cuando su garantía termine.



Piezas y accesorios

ge.com

Aquellos individuos con la calificación necesaria para reparar sus propios electrodomésticos pueden pedir que se les manden las piezas o accesorios directamente a sus hogares (aceptamos las tarjetas VISA, MasterCard y Discover). Haga su pedido en línea hoy, 24 horas cada día o llamar por teléfono al 800.626.2002 durante horas normales de oficina.

Las instrucciones descritas en este manual cubren los procedimientos a seguir por cualquier usuario. Cualquier otra reparación debería, por regla general, referirse a personal calificado autorizado. Debe ejercerse precaución ya que las reparaciones incorrectas pueden causar condiciones de funcionamiento inseguras.



Póngase en contacto con nosotros

ge.com

Si no está satisfecho con el servicio que recibe de GE, póngase en contacto con nosotros en nuestra página Web indicando todos los detalles así como su número de teléfono o escribanos a:

General Manager, Customer Relations
GE Appliances, Appliance Park
Louisville, KY 40225



Registre su electrodoméstico

ge.com

¡Registre su nuevo electrodoméstico en línea—cuando usted prefiera! El registrar su producto a tiempo le proporcionará, si surgiera la necesidad, una mejor comunicación y un servicio más rápido bajo los términos de su garantía. También puede enviar su tarjeta de registro pre-impresa que se incluye en el material de embalaje.