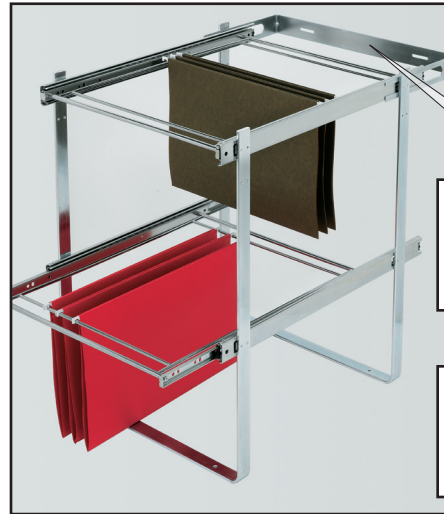


RAS-FD KIT

TWO-TIER FILE DRAWER SYSTEM



Turn your standard height base 18 drawer/door cabinet into a two-tier file drawer with our file drawer kit. This unique kit features full-extension ball bearing slides and heavy-duty chrome plated rails that hold both letter and legal folders. The bottom, side, and rear mounting was designed on the same platform as our successful 5WB2 Series wire baskets. Providing you the sturdiness you expect and easy installation.



The telescoping rear bracket adjust from 19 3/4" - 24". Both tiers are door mountable with RV-DM-FDKIT.

MINIMUM OPENING
14 1/2" (368 mm)W
20 1/2" (521 mm)H

DRAWER ACCESSORIES

PRODUCT #s	DESCRIPTION	PRODUCT DIMENSIONS	FINISH	SET PER CARTON	WEIGHT PER CARTON	SUGGESTED LIST PRICE
Two-Tier File Drawer System						Individual Pack
RAS-FD-KIT	Two-Tier File Drawer System	14 3/4" (375 mm) W x 19 3/4" (597 mm) - 24" (610) D x 22 5/8" (575 mm) H	Chrome	1	5 lbs.	\$87.00
RV-DM-FDKIT	Door Mounting Kit - Two Pair for Both Tiers		Silver	1	2 lbs.	\$40.00

RAS-FD SERIES

FILE DRAWER SYSTEM

Organize recipes, coupons, bills and more with Rev-A-Shelf's File Drawer System available in both legal and letter size dimensions. The RAS-FD organizer features front and back frames that fasten to the drawer box for complete stability and a versatile T-Rod that creates divided storage for both legal and letter size folders. This durable file drawer system is designed for base 18 and base 21 cabinets but features metal supports that can be trimmed to fit virtually any cabinet drawer.



PRODUCT #s	DESCRIPTION	PRODUCT DIMENSIONS	FINISH	SET PER CARTON	WEIGHT PER CARTON	SUGGESTED LIST PRICE
File Drawer System						Individual Pack
RAS-SMFD-52	Small File System	13" (330 mm)W x 19 1/4" (489 mm)D x 9 3/4" (248 mm)H	Black Wire	1	3 lbs.	\$22.90
RAS-LGFD-52	Large File System	15 7/8" (403 mm)W x 19 1/4" (489 mm)D x 9 3/4" (248 mm)H	Black Wire	1	3.3 lbs.	\$25.95

NOTES: RAS-SMFD-52: Designed for letter size hanging folders. RAS-LGFD-52: Designed for legal size hanging folders Use T-Rod to divide drawer in two section to hold both letter and legal size folders **CONTAINS:** Wire frame, corner connectors, T-Rod connectors. Due to different drawer front thickness, mounting screws are NOT included.

Order online at www.OVISONline.com/ras
Please Note: Some items shown may not be in stock, but can be special ordered

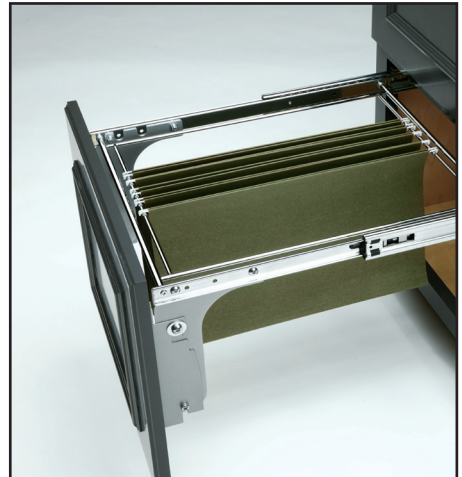
OVIS
A Division of WIM Corp. www.OVISONline.com
©230 Jack Burlingame Dr.
Millwood, WV 25262
800-326-6847 Phone
800-755-0856 Fax



RAS-FD KIT

PULLOUT FILE DRAWER SYSTEM

Get organized with this pullout file drawer. Designed for 18" base cabinets with a 1 1/2" face frame, it side mounts and features a chrome finish, door mounting brackets, full-extension ball bearing slides, and holds either letter or legal folders. Need to store both formats then stack them for a complete filing system.



Fits LEGAL SIZED File Folders.

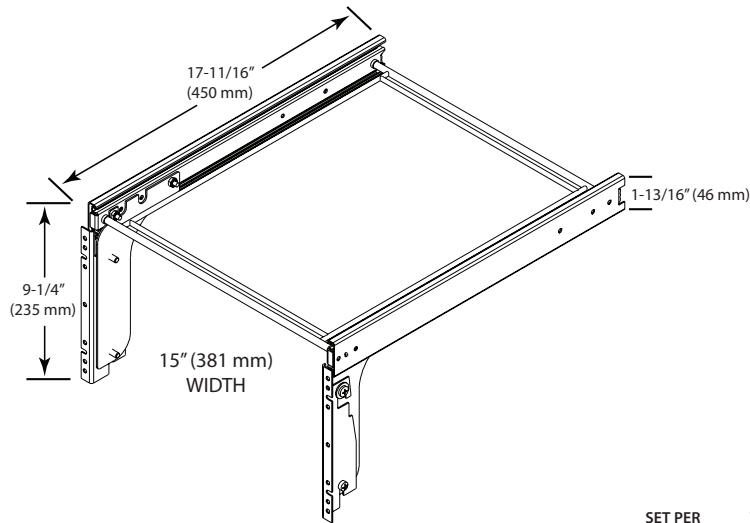


Fits LETTER SIZED File Folders.

Use two units for a complete filing system. Requires only 21" I.C.H.



Door Mount Brackets Included



PRODUCT #'s	DESCRIPTION	MIN. CABINET DIMENSIONS	FINISH	SET PER CARTON	WEIGHT PER CARTON	SUGGESTED LIST PRICE
RAS-FDSM-DM15-1	Pullout File Drawer System	15" (381 mm)W x 17 3/4" (451 mm)D x 10 1/2" (267 mm)H	Chrome	1	7 lbs.	\$52.80

File Drawer System

Individual Pack

Order online at www.OVISONline.com/ras
 Please Note: Some items shown may not be in stock, but can be special ordered

OVIS
 A Division of WIM Corp. www.OVISONline.com
 ©230 Jack Burlingame Dr.
 Millwood, WV 25262
 800-326-6847 Phone
 800-755-0856 Fax



DRAWER ACCESSORIES

