



Snow Thrower

Model No. SJ620/621

Form No. 7620-1-880E

A Division of Snow Joe, LLC

OPERATOR'S MANUAL

IMPORTANT!


Safety Instructions

All Operators Must Read These Instructions Before Use

Any electrical appliance can be dangerous if used incorrectly. Some of the safety precautions given in this manual apply generally to many appliances. Other warnings are specific to the use of this snow thrower. Keep this manual for future reference.

General Safety WARNINGS!

You and any other operator of this snow thrower must read, understand and follow these instructions in their entirety, and should reread them at the start of each snow season. Failure to follow these instructions may result in ELECTRIC SHOCK, FIRE and/or serious PERSONAL INJURY.

Notice the personal safety alert symbol  used in this manual to draw your attention to a WARNING given along with the particular operating instruction. This means that the operation requires special ATTENTION, CAUTION, and AWARENESS.

1. Work Area

- a. **Keep work area clean and well lit.** Cluttered, dark areas invite accidents.
- b. **Do not operate snow thrower in an explosive atmosphere,** such as in the presence of flammable liquids, gases, or dust. Electrical appliances create sparks that may ignite the dust or fumes.
- c. **Keep children, pets, and bystanders away from work area.** Be aware that the normal noise of the machine when turned on may make it difficult for you to hear approaching people. Visitors should wear safety glasses and be kept a safe distance from work area. Do not let visitors contact snow thrower or extension cord.

2. Electrical Safety

- a. **Electrical plugs must match the outlet.** Never modify the plug in any way. Do not use any adapter plugs with grounded appliances. Unmodified plugs and matching outlets will reduce risk of electric shock.
- b. **Avoid body contact with earthed or grounded surfaces** such as upper and lower water pipes, radiators, ranges, refrigerators, microwave oven, and outer frame of heating equipment, or in a place that is locked. Be cautious to avoid electric shock. There

is an increased risk of electric shock if your body is earthed or grounded.

- c. **Do not abuse the cord.** Keep cord away from heat, oil, sharp edges or moving parts. Never carry the snow thrower by its cord or yank the cord to disconnect it from the electrical outlet. Damaged or entangled cords increase the risk of electric shock. If cord is damaged in any manner while plugged in, pull plug from wall receptacle.
- d. **Replace or properly repair damaged cords.** If cord is damaged in any manner while plugged in, pull the extension cord plug from the wall receptacle.
- e. **Contact with water while operating the snow thrower can result in electric shock and serious bodily injury.** Do not use the snow thrower in damp or wet locations or expose to rain. Do not handle the plug or the appliance with wet hands or while standing in water.
- f. **Extension Cord – WARNING – Only use a UL rated extension cord for OUTDOOR, all-weather use (usually orange color).** To prevent the extension cord from disconnecting during operation, See page 7 Figure 12.
- g. **Turn off the power switch and disconnect the power cable before making any adjustments, inspecting, servicing, changing accessories, or cleaning the snow thrower as well as any other conditions in which dangerous factors exist.** Any such operation should be performed after revolving parts inside the snow thrower stop completely. Such preventive safety measures reduce the risk of starting the power tool accidentally.
- h. **If you find the main power cable or the extension cable damaged, please pull out the plug from the socket and disconnect the power immediately.** Repair the cable or replace it if necessary.
- i. **When replacing any parts, you must strictly observe the instructions and procedures described in this User Manual.** Special care should be paid to any rubber parts, since these parts may increase the engine load and decrease its mechanical power if damaged.
- j. **Do not move or transport the snow thrower when the plug is connected to the power socket and the switch is turned on.**
- k. **When using the snow thrower, if you notice it is running in an unstable state or hear abnormal sounds from the engine, please stop the machine and disconnect the power immediately and contact your service center.**

3. Personal Safety

- a. **Stay alert** – Watch what you are doing and use common sense when operating the snow thrower. Do not use the machine when tired, ill, or under the influence of drugs, alcohol, or medication. A moment of inattention may result in serious personal injury.
- b. **Wear proper clothing** – Wearing rubber boots offers additional protection from electric shock. Do not wear loose clothing or jewelry that may become caught in the machine. Wear protective headgear to keep hair away from revolving parts of the machine. Safety glasses offer better protection than everyday eyeglasses.
- c. **Moving parts present risks** – Keep your face, hair, clothing, hands and feet away from moving parts. All guards and safety attachments must be installed properly before using the unit. Shut off and disconnect cord before touching any parts other than the handles and switch.
- d. **Surfaces** – This snow thrower is intended for use on paved surfaces. Do not use on gravel, stone, or other unpaved surfaces unless the snow thrower is adjusted for such surfaces according to the instructions given in the operator's manual.
- e. **Avoid accidental starting** – Make sure the switch is in the off position before plugging in the unit. Do not carry the snow thrower with your finger on the switch.
- f. **Body position** – Maintain proper footing and balance at all times. Place heels firmly on the ground and tightly grasp the handle bar. Watch for uneven surfaces and do not overreach. In case you fall or collide with the snow thrower, inspect the unit for any damages or cracks. When stepping backwards, be careful to avoid obstacles beneath your feet or behind you to avoid falling.
- g. If the snow thrower strikes any object, first, stop snow thrower immediately; then, inspect for damage. Repair any damage before restarting and operating the snow thrower.

4. Snow Thrower Use and Care

Know your snow thrower – Familiarize yourself with the main parts of your snow thrower (Fig. 1).

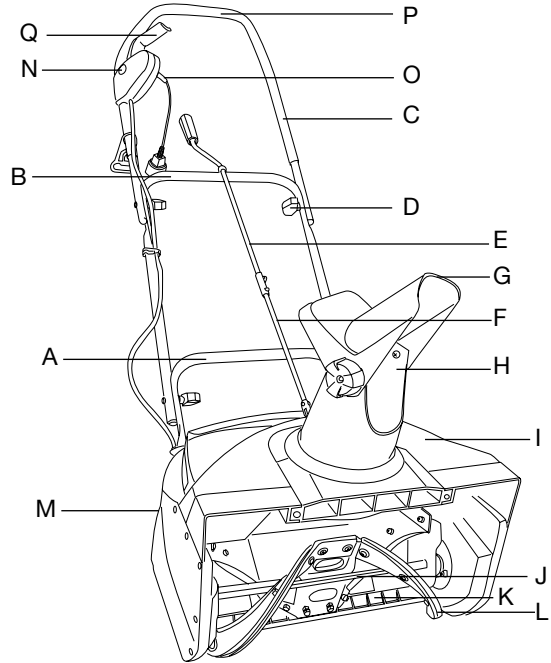


Figure 1-1 (Model SJ620)

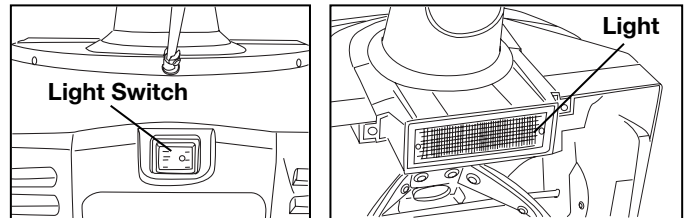


Figure 1-2 (Model SJ621 with Light)

- | | |
|----------------------------------|----------------------------------|
| A - Lower Frame | J - Auger |
| B - Middle Frame | K - Scraper Bar |
| C - Upper Frame | L - Rubber Covered Plate |
| D - Joint Fixing T-Bolt and Knob | M - Wheels (Back of the Machine) |
| E - Upper Chute Crank | N - Safety Switch Button |
| F - Lower Chute Crank | O - Polarized Cable Plug |
| G - Chute Deflector | P - Handle Bar |
| H - Discharge Chute | Q - ON/OFF Switch Lever |
| I - Main Cover | |

Note: The only difference of SJ620 and SJ621 is halogen light system.









TECHNICAL DATA


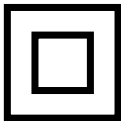



Voltage rating	120 V, 60 Hz
Power	13.5A
Light	12V 20W (Model SJ621 only)
No-load speed	2450 min ⁻¹
Weight (SJ620)	31 lbs/14 Kg
Weight (SJ621 with light)	33.5 lbs/15.2 Kg
Working width	18"/450 mm
Working height	10"/250mm
Throwing speed	650 lbs/min
Throwing distance	20 ft/6 m

- a. **Read the operator's manual carefully.** Learn your snow thrower's applications and limitations as well as the specific potential hazards related to this machine. Do not use this machine for any purpose other than the one for which it was designed. Otherwise, it may cause mechanical defaults, serious damage or personal injury.
 - b. **Preliminary unit inspection** – Thoroughly inspect the unit before use. Make sure all the parts are secure and installed correctly. If you notice any abnormalities, do not use the machine until it has been properly repaired. Always perform a test run the first time you use the snow thrower or after replacing parts to ensure that the unit is functioning properly.
 - c. **Preliminary area inspection** – Clear the area to be plowed before each use. Remove all objects such as rocks, broken glass, nails, wire, or string, which can be thrown by or become entangled in the snow thrower. Keep the area of operation clear of all persons, particularly children and pets.
 - d. **Excessive force** – The snow thrower was designed to respond at a certain rate for various snow conditions for optimum safety and performance. Do not force it; keep pressure constant.
 - e. **Malfunctioning switch** – Do not use the snow thrower if the switch does not turn it on and off. Any electrical appliance that cannot be controlled by the switch is not safe to use and must be repaired.
 - f. **Hitting an object** – If the snow thrower accidentally strikes an object, first stop the snow thrower and unplug unit; inspect for damage; repair or replace any damaged part before restarting and operating the snow thrower.
 - g. **Discharge chute safety** – Never direct the snow discharge chute at the operator, at bystanders, at vehicles or at windows. The throwing snow and foreign objects accidentally picked up by the snow thrower can cause serious damage and personal injury. Do not use your hands to unclog the discharge chute. Stop the motor before removing debris.
 - h. **Hand-held operating position** – Operation of the snow thrower in the hand-held position is unsafe.
 - i. **Abnormal operation** – If you notice the snow thrower running in an unstable state or hear abnormal sounds from the engine, stop the machine, disconnect the power immediately, and contact your original distributor.
 - j. **Noise control** – When using the snow thrower, you must respect local laws and regulations regarding noise control and environmental protection. To avoid noise disturbance, you should carefully decide upon an appropriate operation time and consider the surrounding conditions.
 - k. **When work is completed** – Disconnect the snow thrower from the power source when not in use, when changing accessories, and before performing any maintenance function.
 - l. **Store safely** – Store snow thrower indoors in a dry area between uses. Keep in a locked area, where children and unauthorized users cannot gain access. Do not store the machine while it is still connected to the power source. It may cause damage and injury.
 - m. **Maintain for safety and longevity** – Check for misalignment or binding of moving parts, breakage of parts, and any other conditions that may affect the unit's operation. If damaged, repair or replace the damaged part before use. Use only those replacement parts made for your model. When replacing any parts, you must strictly observe the instructions and procedures described in this manual. Special care should be paid to any rubber parts, since these parts may increase the engine load and decrease its mechanical power if damaged.
- Always check that all bolts, nuts, and knobs are tight before using!**

Safety Symbols

The following table describes safety symbols that may appear on this product. Read, understand, and follow all instructions on the machine before attempting to assemble and operate.

SYMBOLS	DESCRIPTIONS
	Read the instruction manual
	There is a risk that stones and other objects could be thrown out by the appliance. Keep other people and domestic animals at a safe distance.
	Keep the supply flexible core away from the cutting blades
	Always keep the cable away from the heat sources, oils or sharp edges. Remove plug from the mains right away if cable is damaged or entangled.
	Disconnect plug before conducting maintenance or when it is damaged or tangled. Do not use this product in the rain or leave outdoors while it is raining.
	It is obligatory at all times to wear goggles or a visor to protect the eyes and face
	It is obligatory to wear safety footwear at all times to provide protection against objects accidentally falling on feet
	It is obligatory at all times to wear gloves to protect the hands

SYMBOLS	DESCRIPTIONS
	The rotating part will continuously run for several seconds after you turn off the machine
	Double insulation
	Keep hands and feet away from the rotating parts
	Keep foot away from the moving parts of the snow thrower. The rotating parts will hurt you.
	Keep hands away from the moving parts of the snow thrower. The rotating parts will hurt you.

Assembly



CAUTION



Inspect wiring, which, if damaged during shipping, may cause serious bodily injury during equipment use. If any damage is seen or suspected, do not assemble. Instead, contact Snow Joe Customer Service (1-866-766-9563) for assistance.

Handle with care during assembly so that electrical wiring does not become damaged.

Getting Started

1. Remove the snow thrower and all other items from the box.
2. Determine the left and right hand side of the snow thrower by standing in the normal operating position.
3. Check all items for shipping damage. If damages are seen or suspected or if any of the parts are missing, do not assemble. Instead, promptly inform the dealer where you bought the snow thrower or contact Snow Joe Customer Service for assistance.
4. Check to make sure upper chute crank is included.

Upper, Middle, and Lower Frame Assembly

1. The machine is packed ready to go. Pull the middle frame back (Fig. 2). For easy assembly, we packaged the model with most parts connected. Pull the upper frame up (Fig. 2).

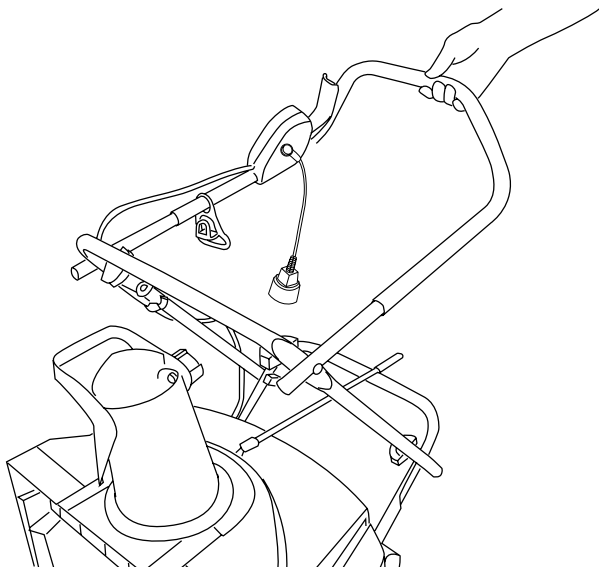


Figure 2

2. Secure the connection of lower frame and middle frame by fastening the knobs on each side (Fig. 3).

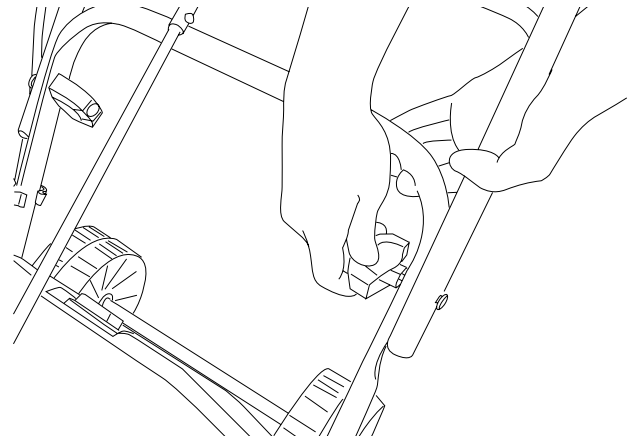


Figure 3

3. Secure the connection of middle frame and upper frame by fastening the knobs on each side (Fig. 4).

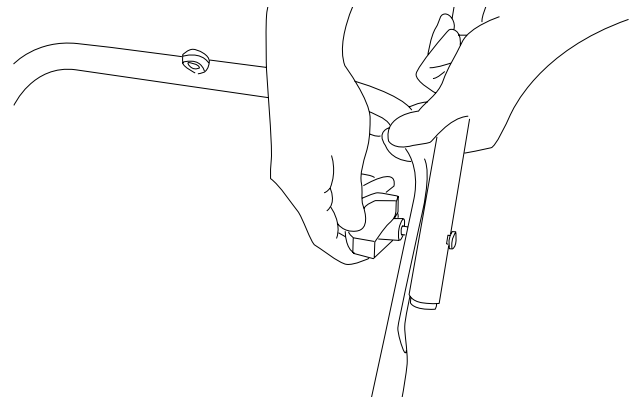


Figure 4

Discharge Chute Assembly

1. Loosen the knob to lift the chute deflector (Fig. 5).

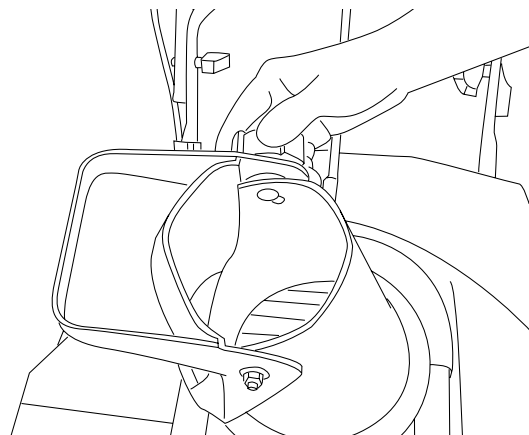


Figure 5

2. Lift the chute deflector and lock securely onto the discharge chute (Fig. 6).

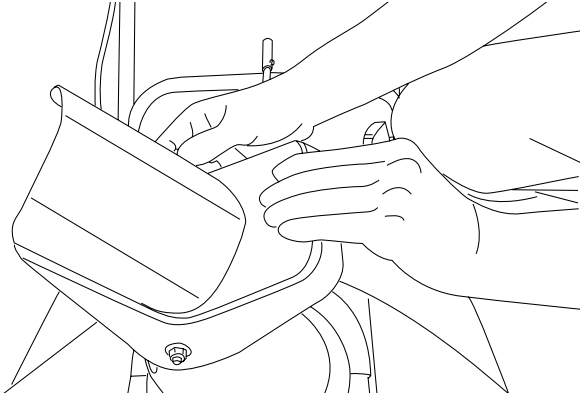


Figure 6

3. Raise or lower the chute deflector to the desired height of the snow stream and tighten the knobs (Fig. 7).

Note: Do not over tighten the knobs.

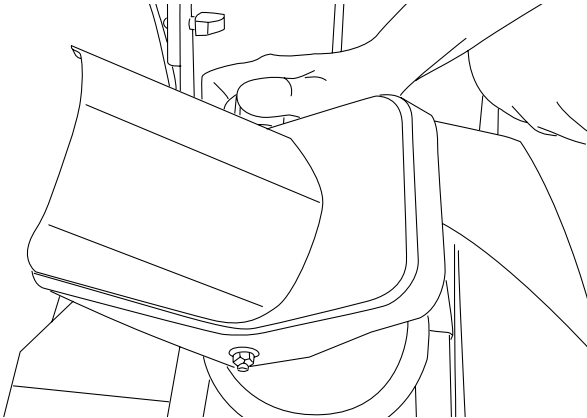


Figure 7

Chute Crank Assembly

1. Slide the upper chute crank through the rubber ring located on the middle frame (Fig. 8).

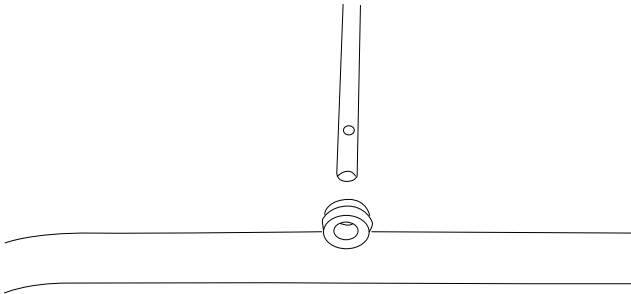


Figure 8

2. Loosen the screw on the lower chute crank by hand (Fig. 9).

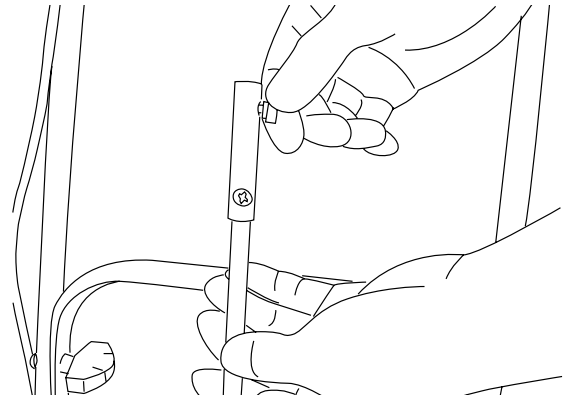


Figure 9

3. Slide the upper chute crank into the lower chute crank (Fig. 10).

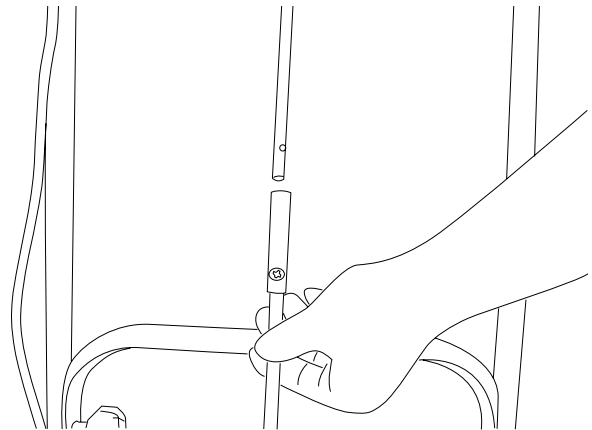


Figure 10

4. Align the screw holes and tighten the screw by hand (Fig. 11).

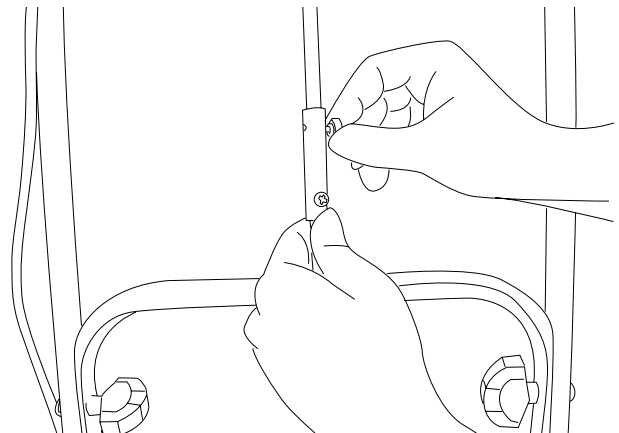




Figure 11

Operation

Note: Before using this machine, make sure that the power source you will use complies with the specifications detailed in this manual. Before inserting the plug into the socket, verify that the snow thrower's roll shaft and rubber plates are firmly secured with screws, and that the rubber plates are facing the correct direction. Perform a test run to ensure that the rotor turns freely.

Securing the Extension Cord

1. For safe and efficient use of your snow thrower, use only a UL-rated extension cord recommended for outdoor use. Refer to the Extension Cord Chart that follows.

 WARNING 		
<p>Electric shock may cause SEVERE INJURY or DEATH. Heed these warnings:</p> <ul style="list-style-type: none"> • Do not allow any part of snow thrower to make contact with water while powered on. If the appliance becomes wet while turned off, wipe dry before starting. • Use only a UL, CSA, ETL-rated extension cord for outdoor, all-weather use. Do not use an extension cord over 100 feet (30 meters). • Do not touch the appliance or its plug with wet hands or while standing in water. Wearing rubber boots offers some protection. 		
EXTENSION CORD CHART		
Cord Length is:	50 ft. (15m)	100 ft. (30m)
Wire Gauge is:	14 AWG	12 AWG

2. Push the loop of extension cord through the slot from the opposite side of the restraint hook. Position the loop over the hook and pull the cable back through the slot (Fig. 12).

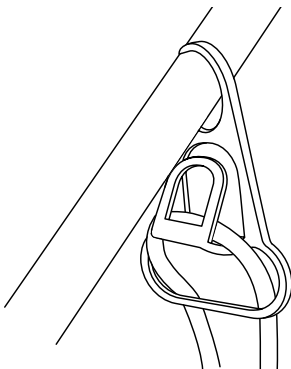


Figure 12

3. Connect the female end of extension cord to the male plug in the cable/plug (Fig. 13).

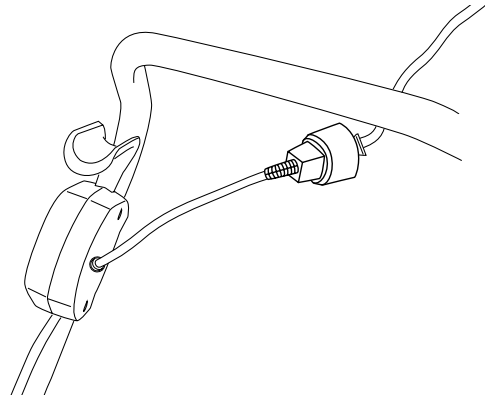


Figure 13

4. Note that the snow thrower has a polarized male plug, with one prong in the cable/plug slightly longer and wider than the other (Fig. 14). The extension cord female end should be likewise polarized so that the extension cord fits snugly into the cable/plug.

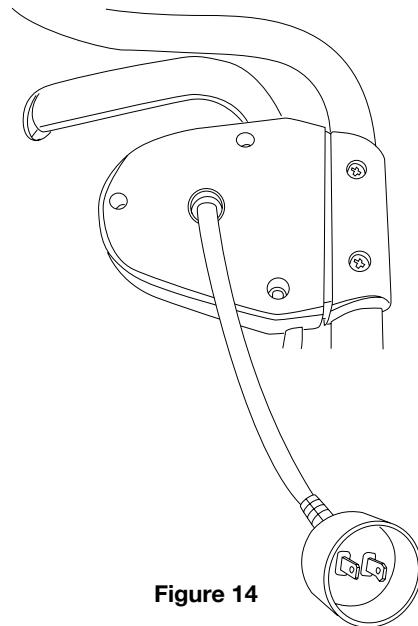




Figure 14

 WARNING 	
<p>Damaged electrical cords present risk of fire, electrical shock, and serious bodily injury.</p> <p>Before operating the snow thrower, carefully examine the electrical cord. If the cord is damaged, do not use the snow thrower. Replace or repair the damaged cord immediately. If you need assistance, contact an authorized Snow Joe dealer.</p>	

Powering On and Off

1. To power on, first press the Safety Switch Button found along side the switch housing (Fig. 15).

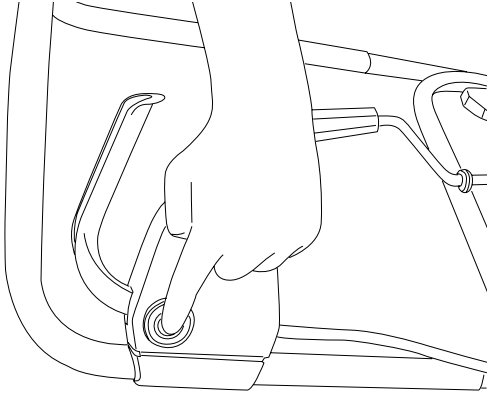


Figure 15

2. While holding the Safety Switch Button in, pull the ON/OFF Switch Lever toward you. Release the Safety Switch Button and run the machine (Fig. 16). The machine can only be started by pressing the Safety Switch Button first, followed by squeezing the ON/OFF Switch Lever, reverse operation cannot start the machine.

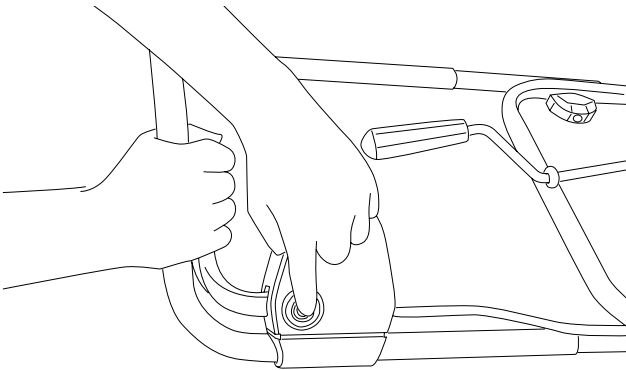


Figure 16

3. To power off, release your grip on the ON/OFF Switch Lever.

4. On SJ621, the halogen light could be used to lighten the forward road in the dark by turning on the switch on the backside of snow thrower (Fig. 17).

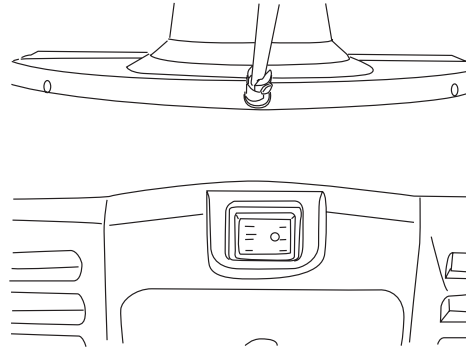


Figure 17

Note: Only when the snow thrower is running will the light turn ON. After finishing using your snow thrower, don't forget to turn OFF the light switch.

Moving the Machine and Plowing the Snow



WARNING



Foreign objects, such as rocks, broken glass, nails, wire, or string, can be picked up and thrown by the snow thrower, causing serious personal injury.

Remove all foreign objects from the area to be plowed before operating the snow thrower.

1. Keep the area of operation free of foreign objects that can become thrown by the rotor blades. Perform a thorough inspection of the area since some objects may be hidden from view by surrounding snow. If the snow thrower hits an obstruction or picks up a foreign object during use, stop the snow thrower, disconnect the extension cord, remove the obstruction, and inspect the unit for damage. Repair or replace any damaged part before restarting and operating the unit.
2. Keep children, pets, and bystanders away from the area of operation. Be aware that the normal noise of the machine when turned on may make it difficult for you to hear approaching people.

3. When moving the snow thrower, use the wheels on one side as the pivot point. Slightly tilt the snow thrower on this pivot point to move it forward or backward.
4. Start your clearing path near the electrical outlet and work outward, throwing snow in a back and forth motion. To clear in the opposite direction, step over the cord and pivot the snow thrower on its wheels. Make sure to overlap clearing paths.
5. Note wind direction. If possible, move in the same direction as the wind so that the snow is not thrown against the wind (and thus back into your face and on the just cleared path).
6. While moving the snow thrower, do not drag the power cable violently or roughly. The snow thrower should move within the range that the cable can reach.
7. Do not push the snow thrower with excessive force. You should push the machine gently and evenly in accordance with the unit's throw rate.
8. Do not apply additional man-made load to the engine since this may cause engine damage.
9. Some parts of the snow thrower may freeze under extreme temperature conditions. Do not attempt to operate the snow thrower with frozen parts. If the parts freeze while the snow thrower is in use, stop the snow thrower, unplug the extension cord, and inspect for frozen parts. Free all parts before restarting or operating the snow thrower. Never force controls that have frozen.
10. Working on pebbles, gravel, or unpaved surfaces – To avoid throwing loose surface material along with the snow, push down on the handle to raise the scraper at the base of the unit above the pebbles or gravel.

Changing Throw Direction and Throw Height



WARNING



Never direct the snow discharge chute at the operator, at bystanders, at vehicles or at nearby windows. The discharged snow and foreign objects accidentally picked up by the snow thrower can cause serious damage and personal injury.

Always orient the discharge chute in the opposite direction from where you, bystanders, surrounding vehicles, or windows are located.

1. The discharge chute can be adjusted 180 degrees by rotating the chute crank. Rotate the chute control crank clockwise to move the discharge chute to the left (Fig.18) and counterclockwise to move the chute to the right (Fig.19).

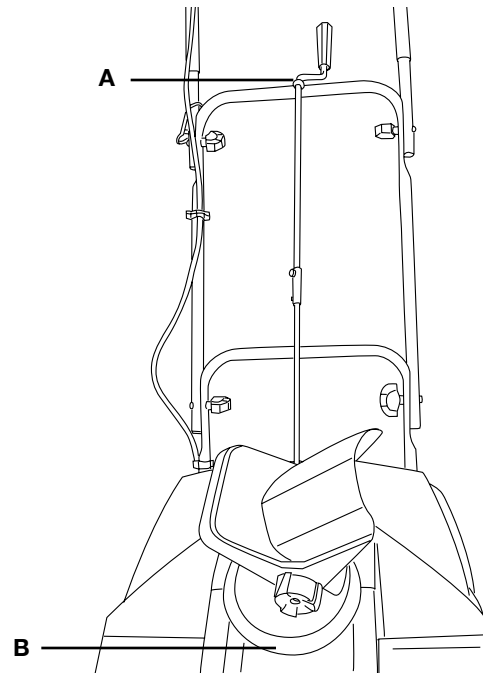


Figure 18

Note: A little Lubricant, such as WD-40 will provide a smoother operation of the chute (spray at point A and B).

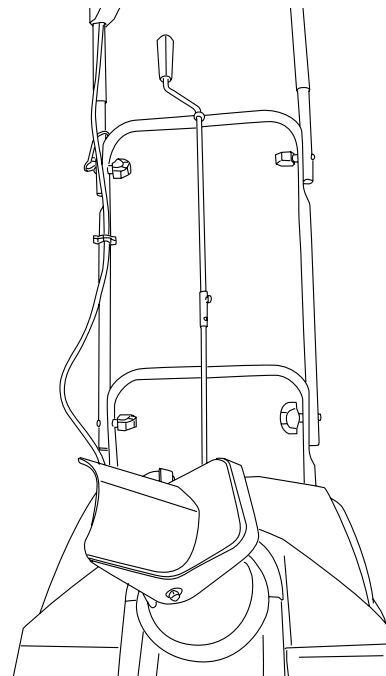


Figure 19

- The chute deflector on the top of the discharge chute controls the height of the snow stream. Loosen the knob to raise or lower the deflector to the desired height of snow you wish to throw. Tighten the knob to secure the deflector (Fig. 20).

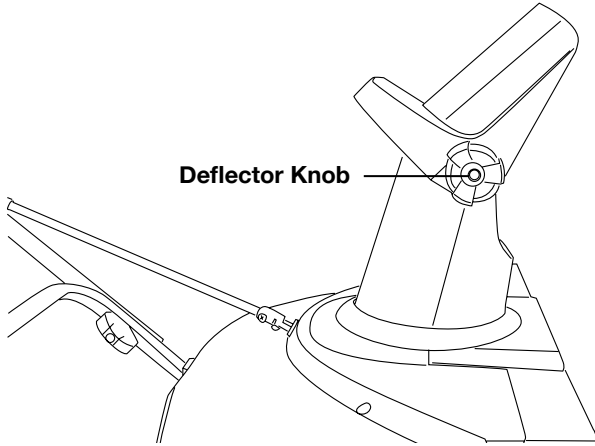


Figure 20

⚠
WARNING
⚠

Make sure that the chute deflector snaps and locks completely onto the discharge chute. An opening between the discharge chute and the chute deflector may allow foreign objects to be picked up by the snow thrower and thrown in the direction of the operator causing serious boldly injury.

- Do not advance the chute deflector too far forward causing an opening to appear between the deflector and discharge chute.
- Do not overtighten the knobs on the chute deflector (Fig. 20).

Maintenance

⚠
WARNING
⚠

Make sure to turn off the switch and disconnect the extension cord before performing any maintenance task on your snow thrower.

Lifetime Lubrication (Motor and Auger)

Lubrication is not necessary and may damage the unit. The snow thrower is lubricated for lifetime use at the factory before shipment.

General Maintenance Tips

- Do not attempt to repair the machine unless you have the proper tools and instructions for disassembly and repair of the machine.
- Check bolts and screws at frequent intervals for proper tightness to ensure that the equipment is in safe working condition.
- After each snow removal session, run the snow thrower for a few minutes to prevent the collector/impeller from freezing. Shut off the motor, wait for all revolving parts to stop completely, and wipe residual ice and snow off the unit. Rotate the chute crank several times to remove any excess snow.

Replacing the Rubber Plates

Note: When replacing worn rubber plates, pay close attention to carefully distinguish between the coarse and smooth side of the plates. Place the coarse side inside and the smooth side outside.

- Detach the worn rubber plate assembly by removing the 2 sets of nuts and bolts used to secure it (Fig. 21, 22).

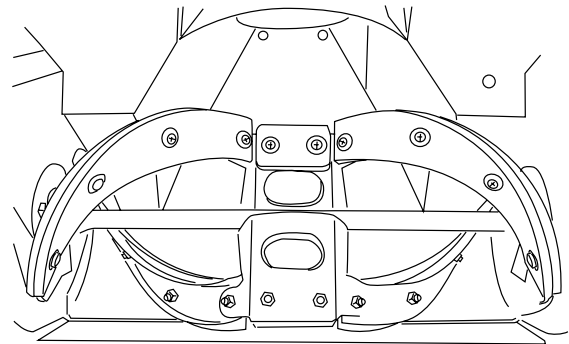


Figure 21

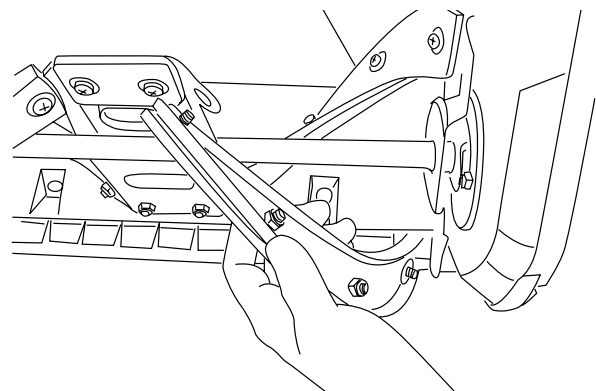


Figure 22

- Loosen the middle 2 sets of nuts and bolts to change the worn rubber plate, assemble and tighten it on reverse step (Fig. 23).

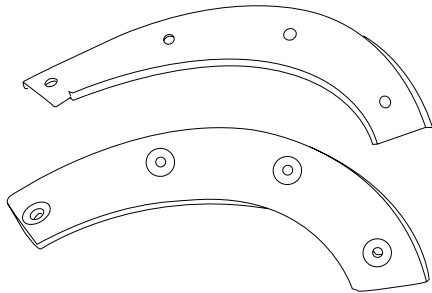


Figure 23

- Install the new rubber plate assembly by tightening 2 sets of nuts and bolts on both sides (Fig. 21).

Replacing the Scraper Bar

- The scraper bar is located at the base of the snow thrower beneath the rotor housing (Fig. 24).

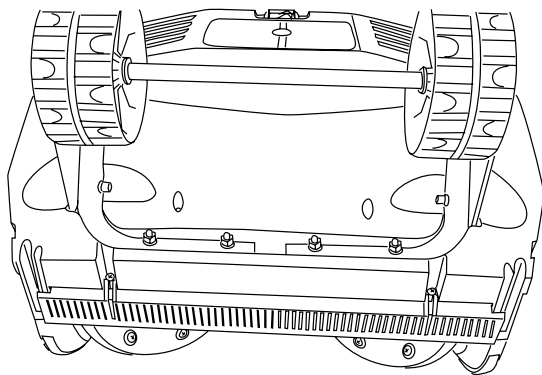


Figure 24

- Detach the worn scraper bar from the snow thrower by removing 2 screws that hold it in place (Fig. 25).

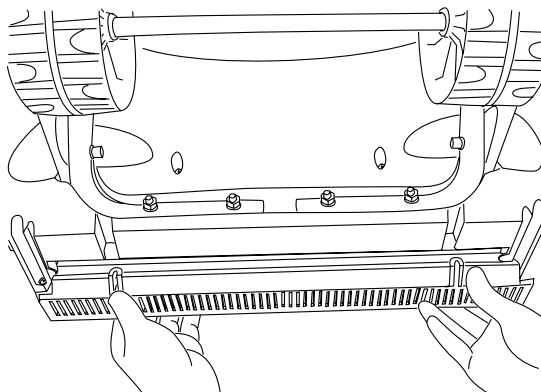


Figure 25

- Install the new scraper bar and fasten it securely to the snow thrower with 2 screws (Fig. 26).

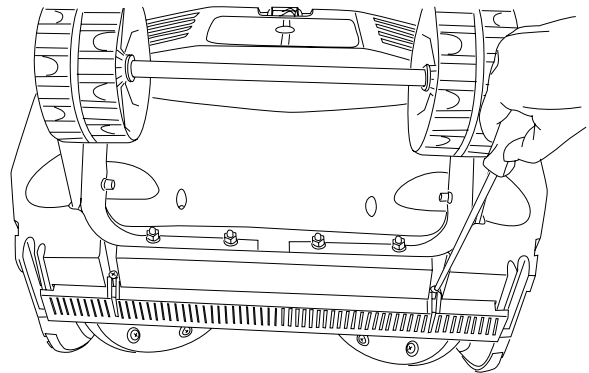


Figure 26

Replace the Belt and Pulley

Note: Determine the left and right hand side of the snow thrower by standing behind the unit in the normal operating position.

- Remove the screws from the left panel of the snow thrower (Fig. 27).

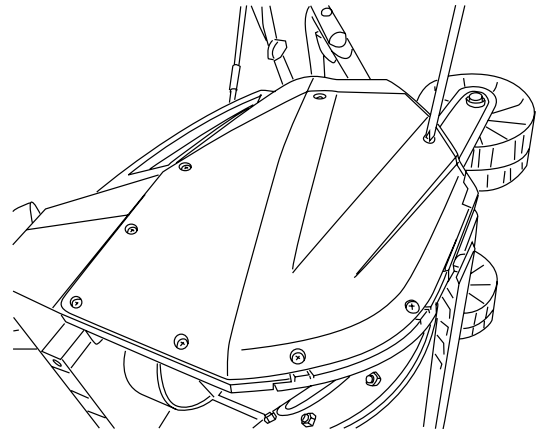


Figure 27

- Lift the belt tension and roll the worn belt off the big pulley from upside (Fig. 28).

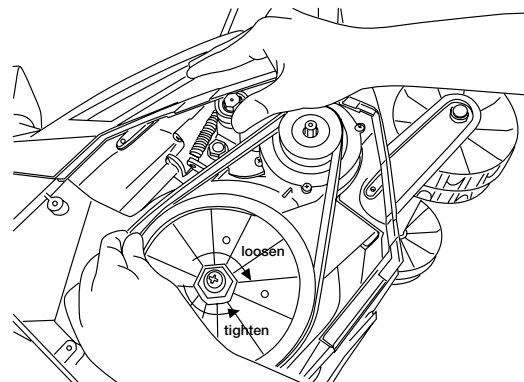


Figure 28

Note: To replace the pulley, remove the outer nut, the left handed nut in the opposite direction (clockwise to loosen and counterclockwise to tighten) (Fig.28).

3. Lift the belt tension and assemble the new belt by rolling it into the big pulley from upside (Fig. 29).

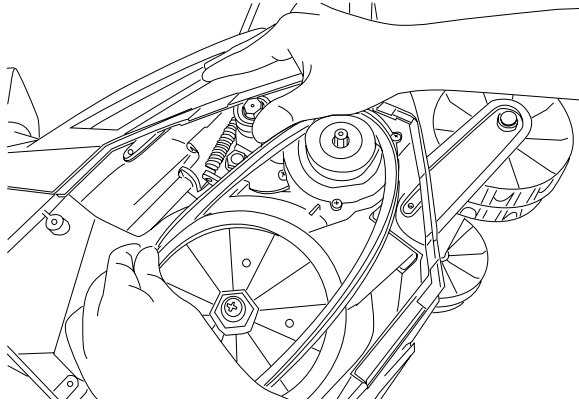


Figure 29

Note: Heavy wet snow puts a load on belts and have to be replaced more often.

Replace Skid Shoes

The skid shoes are located at the bottom of side panel. Remove the 2 screws on side panel and pick up the worn skid shoes to change (Fig. 30).

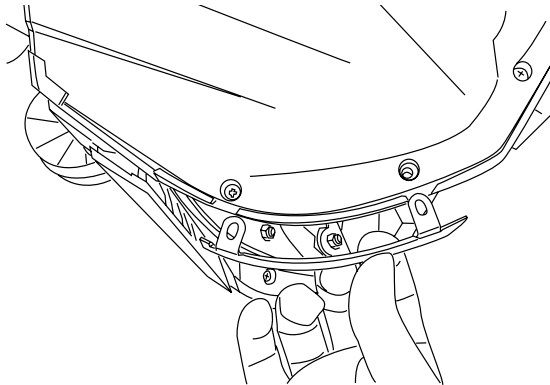


Figure 30

Automatic Reset

The Snow Joe SJ620/621 has a built in automatic reset function. In the event of a major obstruction halting the auger, simply unplug your unit, clear auger obstruction, wait 60 seconds and resume use.

Storage

1. Allow the engine to cool and clean the snow thrower before storing or transporting. Be sure to secure the unit while transporting.
2. Disconnect the extension cord from the snow thrower. Inspect the extension cord closely for signs of wear or damage. Replace it if it is worn or damaged.
3. Inspect the snow thrower carefully for worn, loose, or damaged parts. Check connections and screws and tighten if necessary. For repairing or replacing parts, contact your Snow Joe dealer or Snow Joe Customer Service at 1-866-766-9563.
4. Store the unit, along with the disconnected extension cord, in a locked, dry place out of the reach of children to prevent unauthorized use or damage. Cover loosely with a tarp for added protection.

Service and Support

If your Snow Joe SJ620/621 Ultra Snow Thrower requires service or maintenance, please call 1-866-766-9563 for assistance.

Model and Serial Numbers

When contacting the company, reordering parts, or arranging service from an authorized dealer, you will need to provide the model and serial numbers, which can be found on the decal on the main cover of the unit to the left of the discharge chute. Copy these numbers into the space provided below.

Record the following numbers from the housing or handle of your new product:	
Model #:	S J 6 2
Serial #:	_____



A Two-Year Full Warranty for residential use in the United States and Canada



General Conditions:

Snow Joe, LLC warrants this product to the original purchaser for two years against defects in material or workmanship when used for normal residential purposes. Snow Joe, LLC will repair any defect in material or workmanship, and repair or replace any defective part, subject to the conditions, limitations, and exclusions set forth herein. Such repair or parts replacement will be free from charge to the original purchaser except noted below.

The duration of the warranty applies only if the product is put to personal use around the household or residence. If the product is put to any business use, commercial or industrial, then the duration of this warranty is 90 days from the date of original purchase. If any product is rented or leased, the duration of the warranty is 90 days from the date of original purchase.

It is the owner's responsibility to perform correctly all maintenance, and minor adjustments explained in the owner's manual.

Electric Products:

To obtain a replacement electric powered unit or repair the existing electric powered unit, you must return the complete unit and postage prepaid to: **Snow Joe Return Center, 86 Executive Avenue, Edison, NJ 08817.**

Gasoline / Battery Products:

Limitations

- Batteries are warranted only for the period of 12 months after the date of purchase on a prorated basis. Rechargeable batteries will be replaced free from charge during the first 90 days. After the initial 90 days, batteries will be replaced at prorated cost to the customer
- Idlers, cables, and electrical components are warranted to the original purchaser for use at household or residence for a period of two years

Exclusions

- Snow Joe brand engines are covered under this warranty. All other engines and engine accessories are covered only by the engine manufacturer's warranty and are not covered by this warranty
- Parts used that are not genuine Snow Joe parts are not covered by this warranty
- Damages resulting from misuse, alteration, improper assembly, improper adjustment, neglect, or accident which requires repair is not covered under this warranty
- Belts, augers, and tines are not covered under warranty – belts, augers, and tines wear out and can be purchased at www.snowjoe.com or by calling 1-866-766-9563

Snow Joe, LLC may from time to time change the design of its products. Nothing contained in this warranty shall be construed as obligating Snow Joe, LLC to incorporate such design changes into previously manufactured products, nor shall such changes be construed as an admission that previous designs were defective.

This warranty is intended to cover product defects only. Snow Joe, LLC is not liable for indirect, incidental, or consequential damages in connection with the use of the Snow Joe Products covered by this warranty. This warranty does not cover any cost or expense incurred by the purchaser in providing substitute equipment or service during reasonable periods of malfunction or non-use of this product, while waiting for completion of repairs under this warranty. Some states do not allow exclusions of incidental or consequential damages, so the above exclusions may not apply in all states. This warranty may give you specific legal rights in your state.

**If you wish to contact Snow Joe, please direct inquiries to the:
Customer Service Department
Snow Joe Center
86 Executive Avenue
Edison, NJ 08817**

Customers who have purchased Snow Joe products exported from the United States and Canada should contact their Snow Joe Distributor (Dealer) to obtain information applicable for your country, province, or state. If for any reason, you are not satisfied with the distributor's service, or if you have difficulty obtaining warranty information, contact your Snow Joe seller. If in the event your efforts are unsatisfactory, please write to the Snow Joe Center at the above address.

If you have any questions about your product warranty, please call 1-866-SNOW-JOE or visit us online at www.snowjoe.com.