

Homeowners Guide

Pressure Assisted Toilets

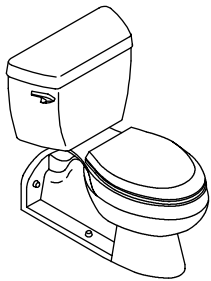
K-3493



K-3505



K-3554



M product numbers are for Mexico (i.e. K-12345**M**)

Los números de productos seguidos de

M corresponden a México (Ej.

K-12345**M**)

Français, page "Français-1"


Español, página "Español-1"

1044956-5-B


THE BOLD LOOK
OF **KOHLER**®


IMPORTANT INFORMATION

SAVE THESE INSTRUCTIONS

 **WARNING: Risk of injury or water damage.** Contents of vessel under pressure can cause severe injury. Do not open or service before reading service instructions. Turn off water supply and flush the unit to release pressure before attempting any service.

 **CAUTION: Risk of product damage.** Do not use any oils or lubricants on the Pressure Lite™ system.

 **CAUTION: Risk of product damage.** The fittings in this toilet require no adjustment (except for possible gap clearance adjustment and winterizing). The fittings in this toilet are preset. Any adjustment or modifications of the product are not normal usage and void the warranty.

 **WARNING: Risk of injury or product damage.** Handle vitreous china products very carefully. Vitreous china can break and chip if you overtighten bolts and nuts.

NOTICE: For service and warranty on the Sloan Flushmate vessel and related components, see the Sloan Flushmate Owner's Service Manual.

Follow all local plumbing codes.

Thank You For Choosing Kohler Company

Thank you for choosing the Bold Look of Kohler. Kohler craftsmanship offers you a rare combination of proven performance and graceful sophistication that will satisfy you for years to come. The dependability and beauty of your Kohler toilet will surpass your highest expectations. We're very proud of our products here at Kohler and we know you will be too.

Please take a few minutes to study this Homeowners Guide. Pay special attention to the Care and Cleaning instructions.

All information in this manual is based upon the latest product information available at the time of publication. At Kohler, we constantly strive to improve the quality of our products. We reserve the right to make changes in product characteristics, packaging or availability at any time without notice.

Your Kohler Toilet

Your Kohler toilet combines outstanding function, comfort, and performance with remarkable style and class.

This Kohler toilet was designed to use only 1.4 gallons (5.3 L) of water for each flush. This ensures that your toilet will provide exceptional performance that is comparable to our previous 3.5 gallon (13.2 L) models. Your toilet exceeds ASME performance standards for low-consumption toilets. It was designed with a large, glazed trapway to keep waste moving without blockage.

Crafted from a clay mixture that is fired at an intense heat to vitrify the clay and fuse the glaze, your Kohler toilet is scratch- and abrasion-resistant. Its surface won't stain, discolor, rust, or fade. Every component in your Kohler toilet is specifically designed to increase the toilet's useful life.

How to Use This Manual

This manual is designed to help you troubleshoot and repair any problems that may develop with the operation of the toilet. If a problem occurs:

- Refer to the Troubleshooting section to determine a probable cause.
- Follow the maintenance and repair instructions in this manual to correct the problem.
- Check the Service Parts section to determine the part numbers for any replacement parts necessary.
- Use the information on the back cover of this manual to contact Kohler Company to order parts, or for help if you cannot correct the problem.

Care and Cleaning

NOTE: See the special instructions before you clean Artist Edition products.

Clean the outside surface of your vitreous china toilet with mild soap and warm water. Wipe the entire surface completely dry with a clean, soft cloth. You may use soft abrasive cleaners when necessary to clean your toilet. Do not use strong abrasive cleaners, as they will scratch and dull the surface. Wipe any splashes of cleaner solutions from plastic or plated surfaces immediately. Use toilet bowl cleaners on the inside of the bowl only.

Care and Cleaning (cont.)

If the surface becomes excessively dirty, use a general purpose cleaner such as: Fantastik® All Purpose, Lysol® Basin, Tub and Tile Cleaner, Soft Scrub® Multi Purpose, Scrub Free® Disinfectant Bathroom Cleaner, Clorox Clean-Up®, Spic and Span Liquid, Comet® Liquid Bathroom Cleaner, Scrubbing Bubbles® Bathroom Cleaner, Bar Keeper's Friend®, or Bon Ami®.

Over time, hard water deposits may clog toilet rim holes and trapways. To clean, use a commercial cleaner that is recommended for removing hard water deposits. Follow the cleaner manufacturer's instructions.



WARNING: Risk of property or product damage. Do not use in-tank cleaners in your toilet. Products containing chlorine (calcium hypochlorite) can seriously damage fittings in the tank. This damage can cause leakage and property damage.

Kohler Company shall not be responsible or liable for any tank fitting damage caused by the use of cleaners containing chlorine (calcium hypochlorite).

For Artist Edition toilets: Do not use bristle brushes or abrasive sponges to clean the surface of your Artist Edition toilet. They will scratch the decorated surface. Gold and Platinum used on decorative products are like fine jewelry. Use only warm water to clean, and dry with a soft cloth. Do not let cleaners sit or soak on Artist Edition surfaces. Rinse and wipe the toilet surface to prevent soap buildup. If the surface of your Artist Edition toilet becomes excessively dirty, use Glass Plus® or a liquid dish soap with water.

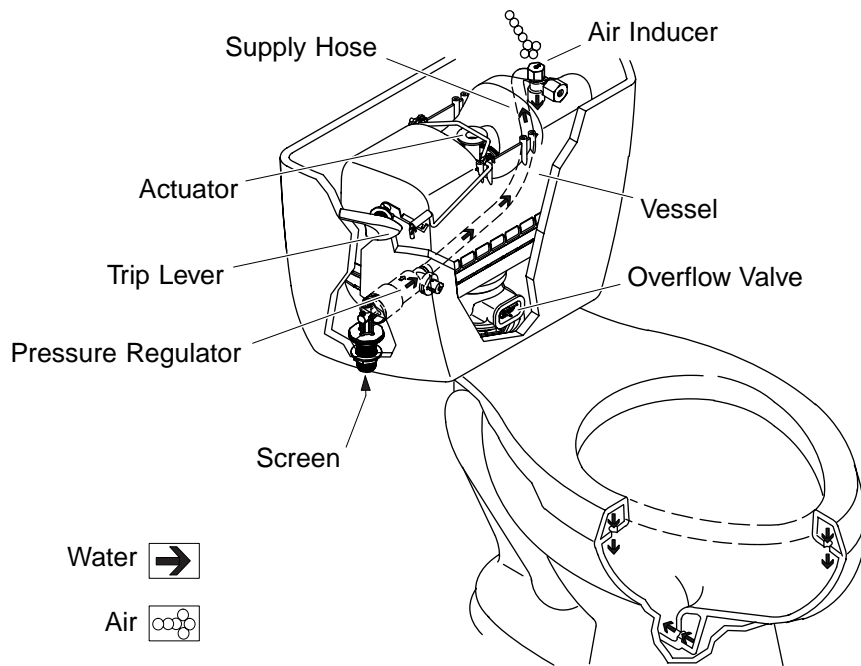
Toilet Seats: Avoid using abrasive cleaners, detergents, disinfectants or cleaning products in aerosol cans.

Do not allow abrasive chemicals or cosmetics (such as fingernail polish or aftershave) to come in contact with the toilet seat, as they can damage the finish.

Use a soft sponge or cloth to clean the toilet seat. Rinse the seat clean and dry with a soft towel. Let the seat air dry and ensure that the hinge area dries completely.

Clean the seat with dishwashing liquid and water or with any of the following products: Gel Gloss®, Scrub Free® Mildew Stain Remover, Formula 409® All Purpose Cleaner, Mr. Clean® Lemon Fresh, Cinch®, Glass Plus®, or Fantastik® All Purpose.

Painted wood seats require special care and cleaning. Use only mild a detergent such as dishwashing soap.



Operation

The vitreous china bowl and tank direct the flushing water flow, and house the Pressure Lite system.

The vessel contains the complete operating cartridge assembly, and is the container for the pressurized 1.4 gallons (5.3 L) of water used for each flush.

The control components consist of the pressure regulator and the air inducer. These components work with the incoming, pressurized, supply-line water to provide a regulated pressure flush to the toilet bowl.

A complete flush cycle is two separate functions.

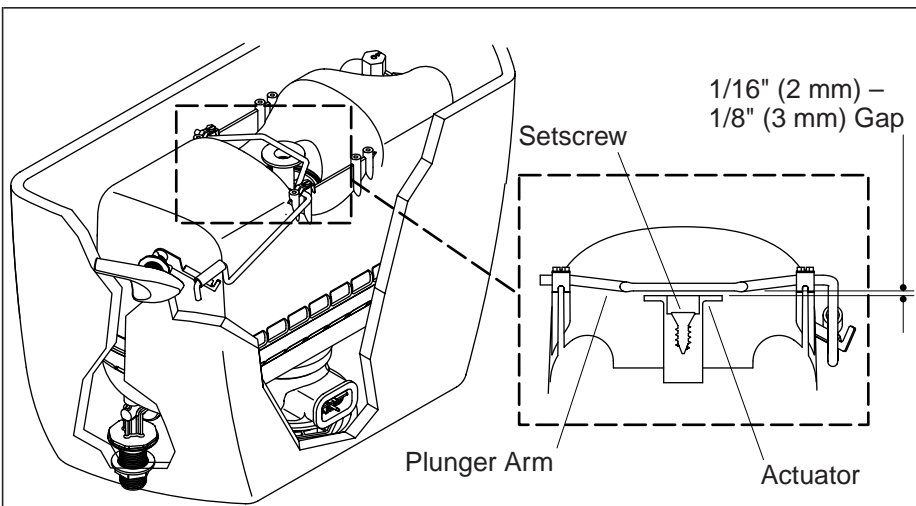
When the trip lever is operated, the vessel plunger assembly is pressed, allowing pressurized water to be directed to the bowl for complete flushing action. As the water level in the vessel drops the plunger will close, stopping water flow to the bowl.

A checkpoint built into the vessel assembly allows any discharge of water into the vitreous china tank to drain directly into the bowl.

After flushing, a charge cycle takes place. Supply line water flows into

Operation (cont.)

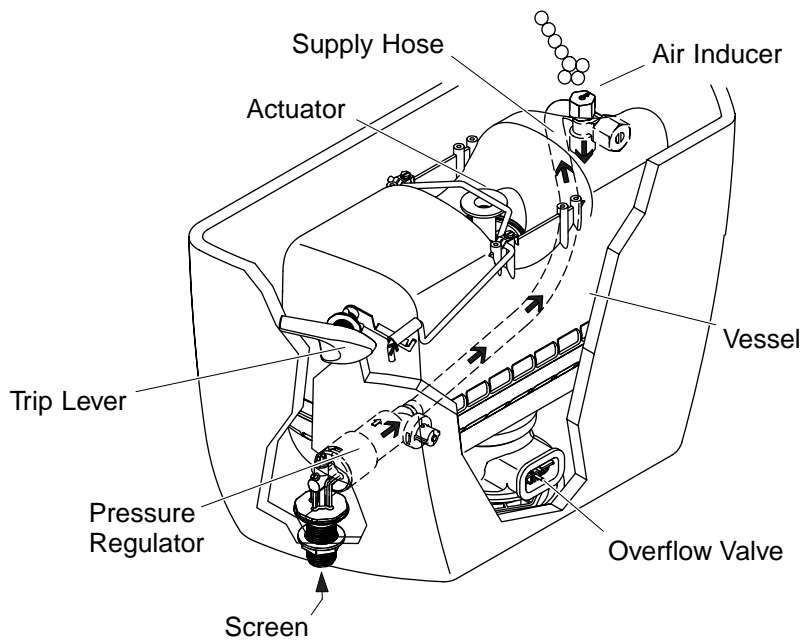
the vessel through the screen and pressure regulator. The water then flows across the air inducer, which mixes a small amount of air with the water, filling the vessel until a pressure of approximately 35 psi (2.5 Kg/cm squared) is reached. The toilet will be ready for the next flush within 60 to 90 seconds. If the toilet is not ready for the next flush within that time, please refer to the Troubleshooting section.



Gap Clearance

- If the toilet does not activate, the gap between the actuator and the plunger arm may need to be reset. Make sure the trip lever handle is installed, and the trip lever nut is tight. This is a left-hand thread; turn counterclockwise to tighten.
- Make sure the water supply is on, and the supply line water has stopped flowing into the toilet.
- Loosen the setscrew. Turn the actuator until there is a 1/16" (2 mm) - 1/8" (3 mm) gap between the actuator and the plunger arm. Turn the actuator clockwise to increase the gap.
- Tighten the setscrew after the gap is properly adjusted.

NOTE: Loss of gap clearance adjustment could cause leakage into the toilet bowl due to the plunger not sealing properly. This condition could cause a continual flow of water. If the problem is not corrected after adjustment, refer to the Troubleshooting section.



Winterizing Your Toilet

- ❑ Turn off the water.
- ❑ Drain the tank by flushing. Press the actuator down for approximately one minute to drain the water from the vessel assembly.
- ❑ Disconnect the water supply line to the toilet.
- ❑ Remove the supply shank, and drain the water from the tank.
- ❑ Press the actuator one more time, then pull the actuator up to allow air into the vessel.
- ❑ Add antifreeze to the toilet bowl water to prevent freezing. Use recreational-type antifreeze commonly used in campers, motor homes, and boats.
- ❑ To restart the toilet, first reconnect the water supply line to the toilet. Then turn on the water supply, and let the system pressurize for at least one minute.
- ❑ Check for leaks, and retighten any leaking connections.

Winterizing Your Toilet (cont.)

NOTE: Refer to the Sloan Flushmate® Owner's Service Manual for more information.

One-Year Limited Warranty

For the U.S.A. and Canada Only

KOHLER® plumbing fixtures, faucets and fittings are warranted to be free of defects in material and workmanship for one year from date of installation.

Kohler Co. will, at its election, repair, replace or make appropriate adjustment where Kohler Co. inspection discloses any such defects occurring in normal usage within one year after installation. Kohler Co. is not responsible for removal or installation costs.

To obtain warranty service, contact Kohler Co. either through your Dealer, Plumbing Contractor, Home Center or E-tailer, or by writing Kohler Co., Attn.: Customer Service Department, 444 Highland Drive, Kohler, WI 53044, USA, or by calling 1-800-4-KOHLER from within the USA, 1-800-964-5590 from within Canada and 001-877-680-1310 from within Mexico.

Implied warranties including that of merchantability and fitness for a particular purpose are expressly limited in duration to the duration of this warranty, Kohler Co. disclaims any liability for special, incidental or consequential damages. Some states/provinces do not allow limitations on how long an implied warranty lasts, or the exclusion or limitation of special, incidental or consequential damages so these limitations and exclusions may not apply to you. This warranty gives you specific legal rights. You may also have other rights which vary from state/province to state/province.

This is our exclusive written warranty.

Notes:

1. There may be variation in color fidelity between catalog images and actual plumbing fixtures.
2. Kohler Co. reserves the right to make changes in product characteristics, packaging or availability at any time with out notice.

COPYRIGHT © 1999, 2000, 2001, 2002 BY KOHLER CO.

One-Year Warranty

For Mexico Only

KOHLER CO.

It is recommended that at the time of purchase, you verify that all accessories and components are complete in this package.

This Kohler product is warranted to be free of defects in material and workmanship for one (1) year from the date of purchase as shown on the invoice or receipt.

1. Kohler Co. will only service its commercialized products through its authorized distributors.
2. To obtain warranty service, please present the invoice and corresponding warranty.
3. Through its authorized distributors, Kohler Co. promises to repair the defective product or provide a new replacement or an equivalent model (in those cases that the model has been discontinued) when the product is beyond repair, without any charge to the consumer.
4. The time of repair will not exceed six (6) weeks commencing on the date the product is received.
5. It is recommended that the consumer save the invoice or receipt as additional protection, as it may substitute the warranty in the case that there is a discrepancy in the validity of the warranty.

EXCEPTIONS AND RESTRICTIONS

The Warranty will not be valid in the following cases:

1. When the product is not operated in accordance with the instructions concerning use and operation set forth in the owner's manual or installation instructions, and when the recommendations and warnings included are not observed.
2. When the product has been modified or dismantled partially or totally; or has been used in a negligent fashion and as a consequence has suffered damages attributable to the consumer, individual, or hardware not authorized by Kohler Co.
3. This warranty does not cover the damages as a result of disaster such as fire or acts of God, including flooding, earthquake, or electric storms, etc. To obtain a list of distributors in your area where you can exercise your rights under this warranty, please call 001-877-680-1310.

KOHLER CO., KOHLER, WI 53044 U.S.A.

IMPORTER:

INTERNACIONAL DE CERÁMICA, S.A. DE C.V.

One-Year Warranty (cont.)

AV. CARLOS PACHECO NO. 7200

CHIHUAHUA, CHIH., MEXICO C.P. 31060

TEL: 52 (14) 29-11-11

Troubleshooting Guide

Troubleshooting Tips

NOTE: This troubleshooting guide is for general aid only. For warranty service, contact your dealer or wholesale distributor.

Troubleshooting Table

Symptoms	Recommended Action
1. Poor flush.	<ul style="list-style-type: none">A. Clean under the bowl rim.B. Plunge the bowl, auger the trap, and auger the drain to clear any blockage.C. Adjust the gap between the actuator and plunger arm to approximately 1/8" (3 mm).D. Fully open the supply stop.E. Clean the screen with a medium to hard bristle brush. Replace the screen if necessary. (Phone 1-800-533-3450 for assistance.)F. Clean or replace the flow regulator.G. Refer to installer/dealer for assistance.
2. No flush.	<ul style="list-style-type: none">A. Fully open the water supply stop.B. Tighten the nut (turn counterclockwise to tighten).C. Hook the plunger arm over the trip arm.D. Clean the screen. (Phone 1-800-533-3450 for assistance.) Replace the screen if necessaryE. Clean or replace the flow regulator.F. Replace inlet components. (Phone 1-800-533-3450 for assistance.)
3. Bowl water continues to flow or tank fill water will not shut off.	<ul style="list-style-type: none">A. Adjust the gap between the actuator and plunger arm to approximately 1/8" (3 mm).

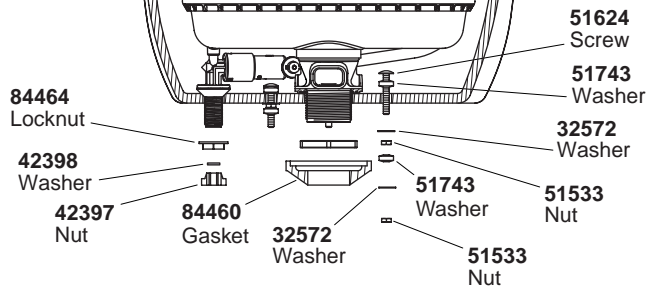
Troubleshooting Guide (cont.)	
Symptoms	Recommended Action
	B. Repair or replace the plunger arm (refer to installer/dealer for assistance). C. Replace the lower supply group.
For additional assistance, also refer to the Sloan Flushmate® Owner's Service Manual supplied with the tank.	

1044434 (LH)
1044435 (RH)
Plunger Arm Assembly

78132
Trip Lever Nut

1045276** (LH)
1045277** (RH)
Trip Lever

*For service on the Sloan vessel,
phone 1-800-533-3450.*



****Finish/color code required.**


Service Parts

Guide du propriétaire


W.C. à pression assistée

RENSEIGNEMENTS IMPORTANTS

CONSERVER CES INSTRUCTIONS

 **AVERTISSEMENT : Risque de blessures ou d'endommagement causé par l'eau.** Les contenus de la cuve sous pression peut causer des blessures graves. Ne pas ouvrir ou procéder à la maintenance avant de lire les instructions. Fermer l'alimentation d'eau et purger l'unité afin de baisser la pression avant de procéder à une maintenance quelconque.

 **ATTENTION : Risque d'endommagement du produit.** Ne pas utiliser d'huiles ou lubrifiants sur le système Pressure Lite™.

 **ATTENTION : Risque d'endommagement du produit.** Les raccords de ce W.C. ne nécessitent pas de réglage (sauf pour un éventuel réglage d'espacement ou pour des besoins d'hivérisation). Les raccords de ce W.C. sont pré-réglés. Tout réglage ou modifications effectués sur le produit ne sont pas considérés comme usage normal et annuleront la garantie.

 **AVERTISSEMENT : Risque de blessure ou d'endommagement du produit.** Manipuler les produits en porcelaine vitrifiée avec précaution. La porcelaine vitrifiée peut casser ou se fragmenter si les boulons et les écrous sont trop serrés.

AVIS : Pour la maintenance et la garantie de l'appareil sanitaire Sloan Flushmate et ses composants, se reporter au guide du propriétaire.

Suivre tous les codes de plomberie.

Merci d'avoir choisi la compagnie Kohler

Merci d'avoir choisi la ligne The Bold Look of Kohler. Le travail soigné des artisans de Kohler vous fera apprécier une rare combinaison de performances prouvées et une sophistication gracieuse, qui vous satisferont pour les années à venir. La fiabilité et la beauté de votre nouveau W.C. Kohler surpasseront vos plus grandes attentes. Chez

Merci d'avoir choisi la compagnie Kohler (cont.)

Kohler, nous sommes fiers du rendement de nos produits et nous savons que vous le serez aussi.

Veillez prendre s'il vous plaît quelques minutes pour consulter ce guide du propriétaire. Prêter une attention toute particulière aux instructions d'entretien et de nettoyage.

Tous les renseignements contenus dans ce manuel ont été revus et corrigés avant sa publication. Chez Kohler, nous veillons constamment à améliorer la qualité de nos produits. Nous nous réservons le droit d'apporter des modifications aux caractéristiques, conditionnements et disponibilités des produits à tout moment, et sans préavis.

Votre W.C. Kohler

Votre W.C. Kohler combine une fonctionnalité remarquable, un confort, une performance, un style et une classe exceptionnels.

Ce W.C. Kohler est conçu pour utiliser 1,4 gallons (5,3 L) d'eau à chaque tirage de chasse. Ceci assure que votre W.C. sera d'une performance exceptionnelle comparable à celle des modèles antérieurs de 3,5 gallons (13,2 L). Votre W.C. surpasse les exigences de la norme ASME pour les W.C. à faible consommation d'eau. Il a été conçu avec un large siphon émaillé, pour permettre aux déchets de circuler sans blocage.

Confectionné à partir d'une mixture d'argile chauffée à très haute température pour vitrifier celle-ci et fusionner le glaçage, votre W.C. Kohler est résistant aux rayures et aux abrasions. Sa surface ne se tachera pas, ni se décolorera, rouillera ou ternira. Chaque élément de votre W.C. Kohler est spécialement conçu pour en accroître la durée de vie.

Comment utiliser ce manuel

Ce manuel est conçu pour vous aider à dépanner et réparer tous les problèmes qui pourraient survenir lors du fonctionnement du W.C. Si un problème se pose:

- Se référer à la section dépannage pour déterminer la cause probable.
- Suivre les instructions de maintenance et de réparation dans ce manuel pour corriger le problème.
- Vérifier la section "Pièces de rechange" pour déterminer les numéros de pièces en cas de remplacement nécessaire.

Comment utiliser ce manuel (cont.)

- Utiliser les informations au verso de ce manuel pour contacter la compagnie Kohler pour commander des pièces de rechange, ou demander de l'assistance si le problème ne peut pas être corrigé.

Entretien et nettoyage

REMARQUE : Voir les instructions spéciales ci-dessous avant de nettoyer les produits Artist Editions.

Nettoyer la surface extérieure du produit en porcelaine vitrifiée avec un savon doux et de l'eau chaude. Essuyer complètement toute la surface avec un chiffon doux et propre. Des nettoyeurs abrasifs peuvent être utilisés selon la nécessité pour nettoyer le W.C. Ne pas utiliser de nettoyeurs abrasifs forts car ils pourraient rayer et abîmer la surface. Essuyer immédiatement toutes éclaboussures du nettoyeur des surfaces en plastique ou plaquées. N'utiliser de nettoyeur pour cuvette que sur la surface intérieure de celle-ci.

Si la surface devient excessivement sale, utiliser un nettoyeur à usage général, tel que: Fantastik® Tout Usage, Lysol® Nettoyeur pour Lavabo, Baignoire et Carreaux, Soft Scrub® Tout Usage, Scrub Free® Désinfectant pour Salle de Bains, Clorox Clean-Up®, Spic et Span Liquide, Comet® Nettoyeur Liquide pour salle de bains, Scrubbing Bubbles® Nettoyeur pour Salle de bains, Bar Keeper's Friend®, ou Bon Ami®.

Avec le temps, des dépôts de calcaire peuvent se former et boucher les trous du rebord du W.C. et du siphon. Pour nettoyer, acheter un détergent professionnel recommandé pour les dépôts de calcaire. Suivre les instructions de nettoyage du fabricant.



AVERTISSEMENT : Risque d'endommagement du produit. Ne pas utiliser des détergents conçus pour le réservoir dans le W.C. Les produits qui contiennent du chlore (hypochlorite de calcium) peuvent causer des dommages graves aux composants internes du réservoir. Ceci peut créer des fuites et des dommages matériels.

La compagnie Kohler décline toute responsabilité quant à tout endommagement des composants internes du réservoir causé par l'utilisation de nettoyeurs qui contiennent du chlore (hypochlorite de calcium).

Pour les W.C. Artist Editions: Ne pas utiliser de brosses ou d'éponges abrasives pour nettoyer la surface de votre W.C. Artist Edition, au risque d'en abîmer la surface. Celles-ci laisseront des rayures sur la

Entretien et nettoyage (cont.)

surface décorée. L'or et le platine utilisés dans les produits décoratifs sont d'une qualité digne de bijouterie fine. N'utiliser simplement que de l'eau chaude pour le nettoyer, et essuyer avec un chiffon doux. Ne pas laisser les détergents sécher sur les surfaces Artist Editions. Rincer et essuyer la surface du W.C. pour éviter l'accumulation de savon. Si la surface de votre W.C. Artist Editions devient excessivement sale, utiliser Glass Plus® ou du détergent avec de l'eau.

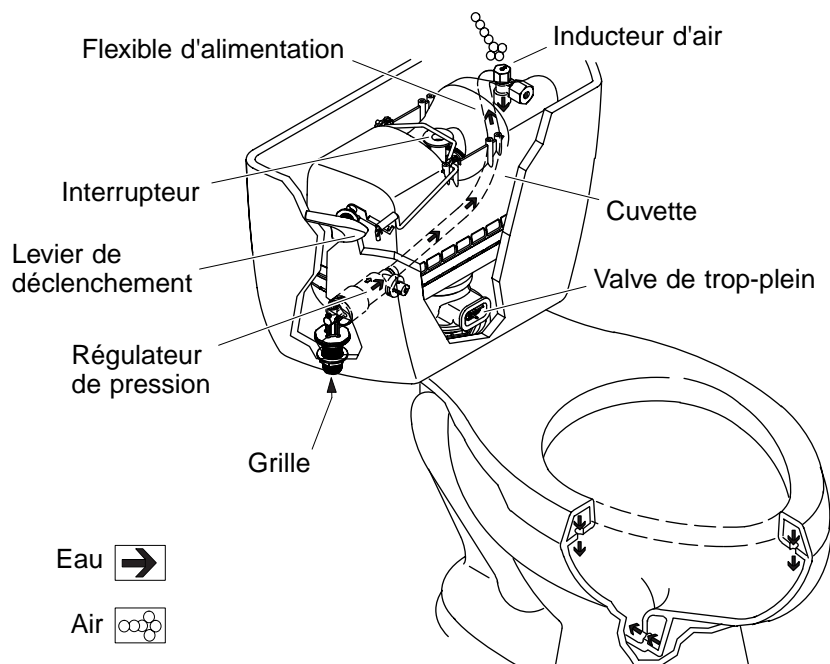
Sièges de W.C.: Eviter les nettoyants abrasifs, détergents, désinfectants ou des produits de nettoyage en aérosol.

Ne pas laisser des produits abrasifs ou cosmétiques (tels que du vernis à ongle ou de la lotion après rasage) se mettre en contact avec le siège du W.C., au risque d'en endommager la finition.

Utiliser une éponge ou un chiffon doux pour nettoyer le siège du W.C. Rincer le siège et sécher avec une serviette douce. Laisser le siège sécher à l'air et s'assurer que les charnières soient complètement sèches.

Nettoyer le siège avec du liquide pour lave-vaisselle ou avec l'un des produits suivants: Gel Gloss®, Scrub Free® Décapant de Tache de Moisissure, Formula 409® Nettoyant tout Usage, Mr. Propre Citron Frais®, Cinch®, Glass Plus®, ou Fantastik® Tout Usage.

Les sièges en bois peints nécessitent un entretien et un nettoyage spéciaux. Utiliser uniquement un détergent doux tel qu'un détergent pour lave-vaisselle.



Opération

La cuvette en porcelaine vitrifiée et le réservoir acheminent le débit d'eau de la chasse et abritent le système Pressure Lite.

La cuvette contient la cartouche complète de fonctionnement et constitue le conteneur pour 1,4 gallons (5,3 L) d'eau sous pression utilisés à chaque purge.

Les composants de commande sont constitués du régulateur de pression et de l'inducteur d'air. Ces composants fonctionnent avec l'eau sous pression provenant du tuyau d'alimentation, pour permettre des chasses à pressions régulées dans la cuvette.

Le cycle complet de chasse se passe en deux fonctions séparées.

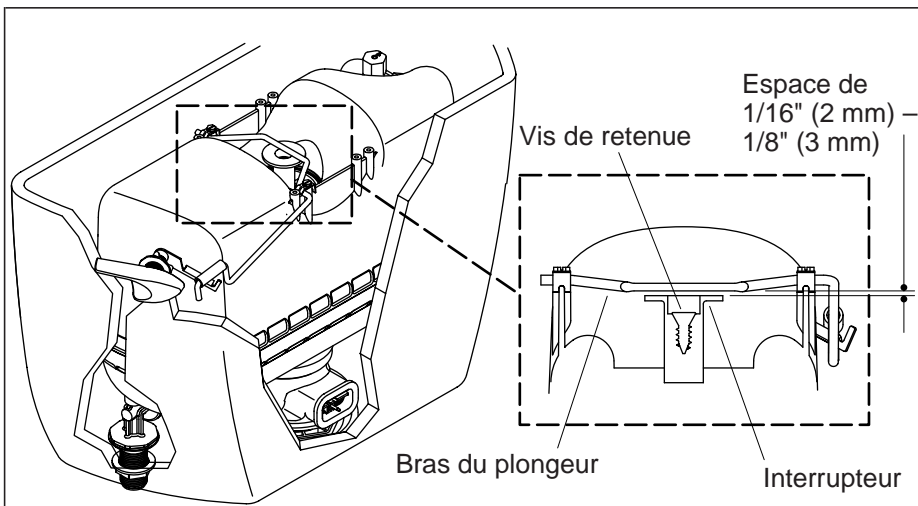
Lorsque le levier de déclenchement est actionné, le plongeur de la cuve reçoit une pression permettant à ce que l'eau sous pression soit directement acheminée dans la cuvette pour une action de chasse complète. La diminution du niveau d'eau entraîne la fermeture du plongeur et l'arrêt du débit d'eau vers la cuvette.

Un orifice avec dispositif de non retour dans la cuvette permet toute évacuation d'eau dans le réservoir en porcelaine vitrifiée directement

Opération (cont.)

dans la cuvette.

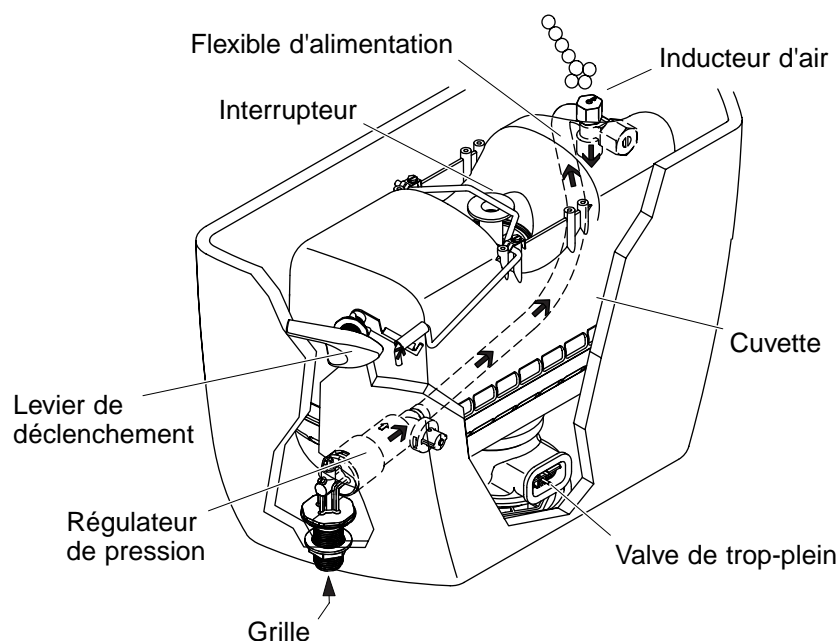
Après la chasse, il se produit un cycle de charge. L'eau en provenance de la conduite d'alimentation circule dans la cuvette à travers le tamis et le régulateur de pression. L'eau poursuit en suite son cours dans l'inducteur d'air, lequel y mélange une petite quantité d'air et remplit la cuve jusqu'à ce qu'une pression d'environ 35 psi (2,5 Kg/cm carrés) soit atteinte. Le W.C. sera prêt pour la prochaine chasse dans les 60 à 90 secondes. Si le W.C. n'est pas prêt pour la prochaine chasse dans ce délai, se reporter à la section de dépannage.



Intervalle d'espacement

- Si la chasse du W.C. ne se déclenche pas, le dégagement entre l'actionneur et le bras du plongeur nécessitera peut être un réajustement. S'assurer que la poignée du levier de déclenchement soit installée et que l'écrou du levier de déclenchement soit serré. Ceci est un filetage sur la gauche; tourner vers la gauche pour serrer.
- S'assurer que l'alimentation d'eau soit ouverte et que l'eau ait cessé de couler dans le W.C.
- Desserrer la vis de retenue. Tourner l'interrupteur jusqu'à ce qu'il y ait un espace de 1/16" (2 mm) - 1/8" (3 mm) entre l'interrupteur et le bras du plongeur. Tourner l'interrupteur vers la droite pour augmenter l'écart.
- Serrer la vis de retenue une fois que l'écartement est bien ajusté.

REMARQUE : Un dérèglement du dégagement peut être à l'origine d'une fuite dans la cuvette du W.C. dû à une mauvaise étanchéité du plongeur. Ceci peut causer un débit d'eau continu. Si le problème n'est pas corrigé après l'ajustement, se reporter à la section de dépannage.



Hiveriser le W.C.

- Couper l'eau.
- Vider le réservoir en tirant la chasse. Appuyer sur l'actionneur vers le bas pendant environ une minute pour vider l'eau de l'ensemble de la cuvette.
- Déconnecter l'alimentation d'eau du W.C.
- Retirer l'about d'alimentation et purger l'eau du réservoir.
- Appuyer encore une fois sur l'actionneur et le déplacer ensuite vers le haut pour laisser entrer l'air dans la cuvette.
- Ajouter de l'antigel à l'eau de la cuvette du cabinet W.C. pour empêcher le gel. Utiliser de l'antigel de type récréatif utilisé couramment dans les caravanes, les mobile-homes et les bateaux.
- Pour redémarrer le W.C., d'abord reconnecter l'alimentation d'eau. Ensuite ouvrir l'alimentation d'eau, et laisser le système pressuriser pendant au-moins une minute.
- Vérifier s'il y a des fuites et resserrer toutes les connexions à fuites.

Hiveriser le W.C. (cont.)

REMARQUE : Se reporter au guide d'utilisation pour l'entretien du Sloan Flushmate pour plus d'information.

Garantie limitée d'un an

Pour les É.U. et le Canada uniquement

Les robinets, appareils sanitaires et accessoires Kohler® sont garantis contre tout défaut matériel et de fabrication pour un an à partir de la date d'installation.

Kohler Co. jugera à sa discrétion, de la réparation, du remplacement ou du réglage approprié et ceci après toute inspection faite par Kohler Co. de tous défauts uniquement dûs à une utilisation normale et ceci pendant un an à partir de la date d'installation. Kohler Co. n'est pas responsable des coûts de démontage ou d'installation.

Pour obtenir un service-garantie, contacter Kohler Co. par l'intermédiaire de votre vendeur, plombier, centre de rénovation, revendeur par internet ou par écrit à l'attention de: Département du service clientèle, 444 Highland Drive, Kohler, Wisconsin 53044, USA, ou en composant le 1-800-4-KOHLER à partir des É.U., le 1-800-964-5590 à partir du Canada et le 001-877-680-1310 depuis le Mexique.

La durée des garanties tacites, y compris celles marchandes et d'aptitude à un emploi particulier, se limite expressément à la durée de la présente garantie. Kohler Co. décline toute responsabilité de tout dommage particulier, accidentel ou tout préjudice indirect.

Certains états/provinces ne permettent pas la limitation sur la durée de la garantie, ou l'exclusion ou la limitation spéciale, de dommages occasionnés, ou corrélatifs à un accident, ainsi ces limitations ou exclusions pourraient ne pas s'appliquer dans votre cas. La présente garantie vous donne des droits légaux spécifiques. Vous pouvez également avoir d'autres droits qui varient d'un état/province à l'autre.

Ceci constitue notre garantie écrite exclusive.

Remarques:

1. Il pourrait y avoir une variation de couleur entre des produits illustrés dans les catalogues et les appareils de plomberie actuels.
2. Kohler Co. se réserve le droit d'apporter toutes modifications aux caractéristiques, emballages et disponibilités des produits, à tout moment, et ceci sans préavis.

COPYRIGHT © 1999, 2000, 2001, 2002 PAR KOHLER CO.

Guide de dépannage

Conseils de dépannage

REMARQUE : Ce guide de dépannage est uniquement destiné à une aide générale. Pour une réparation sous garantie, contacter le vendeur ou distributeur.

Tableau de dépannage

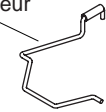
Symptômes	Action recommandée
1. Faible chasse.	<ul style="list-style-type: none">A. Nettoyer le dessous du rebord de la cuvette.B. Immerger la cuve si nécessaire, vriller le siphon, et le drain pour dégager ce qui bouche.C. Ajuster l'espace entre l'actionneur et le bras du plongeur à environ 1/8" (3 mm).D. Ouvrir complètement le robinet d'arrêt.E. Nettoyer le tamis avec une brosse en soie moyenne à dure. Remplacer le tamis si nécessaire. (Appeler le 1-800-533-3450 pour toute assistance).F. Nettoyer ou remplacer le régulateur de débit.G. Contacter l'installateur ou le vendeur pour toute assistance.
2. Pas de chasse.	<ul style="list-style-type: none">A. Ouvrir complètement l'alimentation d'eau.B. Serrer l'écrou (tourner vers la gauche pour serrer).C. Accrocher le bras du plongeur sur le bras de déclenchement.D. Nettoyer le tamis. (Appeler le 1-800-533-3450 pour toute assistance). Remplacer le tamis si nécessaire.E. Nettoyer ou remplacer le régulateur de débit.F. Remplacer les composants d'entrée. (Appeler le 1-800-533-3450 pour toute assistance).

Guide de dépannage (cont.)

Symptômes	Action recommandée
3. L'eau de la cuvette continue de circuler ou l'eau de remplissage du réservoir ne s'arrête pas.	<p>A. Ajuster l'espace entre l'actionneur et le bras du plongeur à environ 1/8" (3 mm).</p> <p>B. Réparer ou remplacer le bras du plongeur (se reporter à l'installateur/vendeur pour assistance).</p> <p>C. Remplacer les groupes inférieurs d'alimentation.</p>

Pour toute assistance supplémentaire, se reporter aussi au manuel de service Sloan Flushmate® fourni avec le réservoir.

1044434 (Gauche)
1044435 (Droite)
Ensemble bras-plongeur

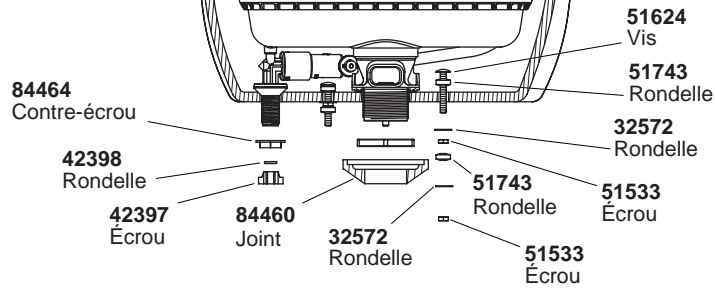


78132
Écrou du levier
de déclenchement



1045276** (Gauche)
1045277** (Droite)
Levier de déclenchement

*Pour le service de l'appareil sanitaire
Sloan, composer le 1-800-533-3450.*



****Codes finition/couleur requis.**

Pièces de rechange

Guía del usuario

Inodoros de presión asistida

INFORMACIÓN IMPORTANTE

GUARDE ESTAS INSTRUCCIONES



ADVERTENCIA: Riesgo de lesiones personales o daños producidos por el agua. El contenido del recipiente a presión puede causar lesiones severas. No lo abra ni realice reparaciones sin haber antes leído las instrucciones de mantenimiento. Cierre el suministro de agua y accione el mecanismo de descarga del inodoro para liberar la presión antes de realizar el mantenimiento.



PRECAUCIÓN: Riesgo de daños al producto. No utilice aceites ni lubricantes en el sistema Pressure Lite™.



PRECAUCIÓN: Riesgo de daños al producto. Los accesorios del inodoro no necesitan ajustes (excepto un posible ajuste del espacio libre y la puesta a punto para el invierno). Los accesorios del inodoro están preajustados. Cualquier ajuste o modificación del producto no forma parte del uso normal y anulará la garantía.



ADVERTENCIA: Riesgo de lesiones personales o daños al producto. Maneje los productos de porcelana vitrificada con cuidado. Si se aprietan demasiado los pernos o las tuercas se puede romper o despostillar la porcelana vitrificada.

AVISO: Para información acerca del mantenimiento y la garantía del recipiente Sloan Flushmate y los accesorios, consulte el manual del usuario de Sloan Flushmate.

Cumpla con todos los códigos locales de plomería.

Gracias por elegir los productos de Kohler

Gracias por elegir la línea de productos de The Bold Look of Kohler. La artesanía de Kohler le ofrece una rara combinación de rendimiento comprobado y agraciada elegancia capaces de satisfacer sus exigencias durante muchos años. La fiabilidad y belleza de su inodoro de Kohler

Gracias por elegir los productos de Kohler (cont.)

sobrepasarán sus mayores expectativas. En Kohler, nos sentimos orgullosos de nuestros productos y sabemos que usted también lo estará.

Dedique unos minutos para leer esta Guía del usuario. Preste especial atención a las instrucciones de cuidado y limpieza.

Toda la información contenida en las instrucciones está basada en la información más reciente disponible al momento de su publicación. En Kohler, nos esforzamos constantemente por mejorar la calidad de nuestros productos. Por lo tanto, Kohler se reserva el derecho de efectuar cambios en las características del producto, embalaje o disponibilidad en cualquier momento, sin previo aviso.

Su inodoro de Kohler

Su inodoro de Kohler combina el funcionamiento, confort y rendimiento excepcionales con gran estilo y clase.

Este inodoro de Kohler está diseñado para utilizar solamente 1,4 galones (5,3 L) de agua por cada descarga. Esto asegura que su inodoro funcione de manera excepcional, comparable a nuestros modelos anteriores de 3,5 galones (13,2 L). Su inodoro excede las normas de rendimiento ASME (Sociedad Americana de Ingenieros Mecánicos) para los inodoros de bajo consumo. Se ha diseñado con una boca de sifón grande y vidriada para que los desechos continúen moviéndose sin obstrucción.

Fabricado con una mezcla de arcillas cocida a alta temperatura para vitrificar la arcilla y fundir el vidriado, su inodoro de Kohler es resistente a la abrasión y rayado. Su superficie no se manchará, decolorará, oxidará ni perderá el color. Todos los componentes de su inodoro de Kohler están diseñados específicamente para aumentar la vida útil de su inodoro.

Cómo utilizar este manual

Este manual está diseñado para ayudarle a solucionar y reparar cualquier problema que se produzca durante el funcionamiento del inodoro. Si se produce un problema:

- Consulte la sección para resolver problemas a fin de determinar la causa probable.
- Siga las instrucciones de mantenimiento y reparación de este manual para corregir el problema.

Cómo utilizar este manual (cont.)

- Consulte la sección de piezas de repuesto para determinar el número de pieza de cualquier repuesto necesario.
- Utilice la información en la cubierta posterior de este manual para comunicarse con la empresa Kohler y realizar pedidos de piezas o para obtener ayuda si no puede corregir el problema.

Cuidado y limpieza

NOTA: Consulte las instrucciones especiales antes de limpiar los productos de la línea Artist Editions.

Limpie la superficie exterior de su inodoro de porcelana vitrificada con un detergente suave y agua tibia. Seque bien toda la superficie con un paño limpio y suave. Cuando sea necesario, puede limpiar el inodoro con productos de limpieza abrasivos suaves. No utilice productos abrasivos fuertes, pues pueden rayar y opacar la superficie. Seque de inmediato cualquier salpicadura de soluciones limpiadoras en las superficies de plástico o enchapadas. Utilice los productos de limpieza para las tazas de inodoro solamente en el interior de la taza.

Si la superficie se ensucia demasiado, utilice un producto limpiador de uso general, tal como: Fantastik® para todo uso, Lysol® limpiador de lavabos, bañeras y azulejos, Soft Scrub® para todo uso, Scrub Free® desinfectante de baños, Clorox Clean-Up®, Spic and Span líquido, Comet® limpiador líquido de baños, Scrubbing Bubbles® limpiador de baños, Bar Keeper's Friend®, o Bon Ami®.

Con el tiempo, los depósitos minerales del agua dura pueden llegar a obstruir los orificios del reborde del inodoro y la boca de sifón. Para limpiarlos, utilice un limpiador de venta comercial que esté recomendado para eliminar los depósitos de agua dura. Siga las instrucciones del fabricante del producto de limpieza.



ADVERTENCIA: Riesgo de daños al producto o a la propiedad.

No utilice productos para limpiar el inodoro que se coloquen en el interior del tanque. Los productos que contienen cloro (hipoclorito de calcio) pueden dañar las piezas del tanque. Lo que puede provocar fugas y daños a la propiedad.

La empresa Kohler no se hace responsable de los daños a los accesorios del tanque causados por el uso de limpiadores que contengan cloro (hipoclorito de calcio).

Para los inodoros de la línea Artist Editions: No utilice cepillos de cerdas ni esponjas abrasivas para limpiar la superficie de su inodoro de la línea Artist Editions. Pues pueden rayar la superficie decorada. El

Cuidado y limpieza (cont.)

oro y platino empleados en los productos decorativos son como joyas. Utilice sólo agua tibia para limpiar y seque con un paño suave. No deje por tiempo prolongado los productos de limpieza en las superficies de la línea Artist Editions. Enjuague y seque la superficie de su inodoro para evitar la acumulación de jabón. Si la superficie de su inodoro Artist Editions se ensucia demasiado, utilice Glass Plus® o agua y un detergente líquido para platos.

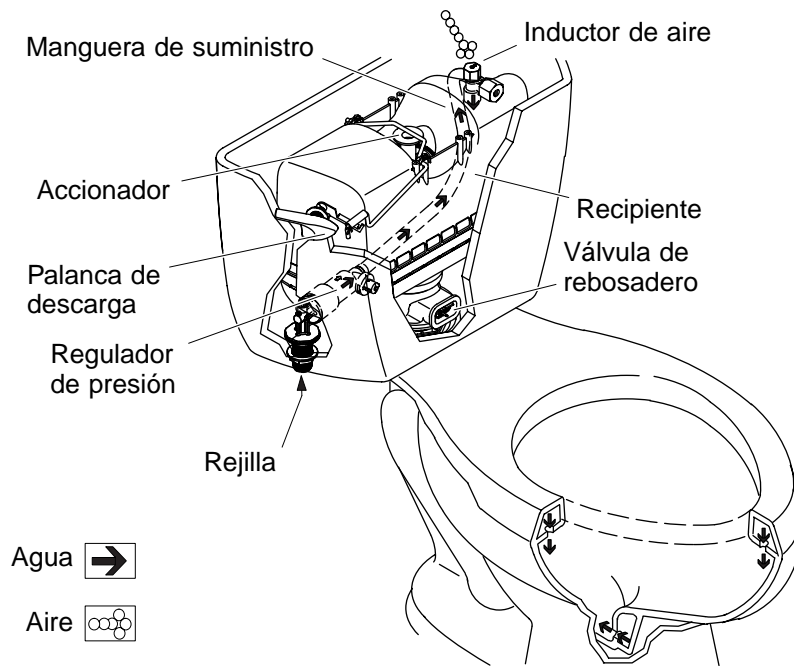
Asientos de inodoro: Evite usar limpiadores abrasivos, detergentes, desinfectantes o productos de limpieza en botes de aerosol.

No permita que ningún producto químico o cosmético abrasivo (como el esmalte de uñas o la loción para después del afeitado) se ponga en contacto con el asiento del inodoro, pues podría dañar el acabado.

Utilice una esponja o paño suave para limpiar el asiento del inodoro. Enjuague el asiento hasta que quede limpio y seque con una toalla suave. Deje que el asiento se seque al aire y asegúrese de que el área alrededor de las bisagras se seque por completo.

Limpie el asiento con un líquido para lavar los platos y agua o con cualquiera de los siguientes productos: Gel Gloss®, Scrub Free®, eliminador de manchas de moho, Formula 409®, limpiador de todo uso, Mr. Clean®, al limón fresco, Cinch®, Glass Plus®, o Fantastik® para todo uso.

Los asientos de madera pintados requieren un cuidado y limpieza especiales. Utilice solamente un detergente suave como el utilizado para lavar los platos.



Funcionamiento

El tanque y la taza de porcelana vitrificada dirigen el flujo de la descarga de agua y albergan el sistema Pressure Lite.

El recipiente contiene el montaje completo del cartucho de funcionamiento y constituye el depósito para los 1,4 galones (5,3 L) de agua presurizada empleados en cada descarga.

Los componentes de control consisten en un regulador de presión y un inductor de aire. Estos componentes funcionan con la línea de suministro de agua a presión para proporcionar una descarga de presión regulada a la taza del inodoro.

El ciclo completo de descarga se compone de dos funciones.

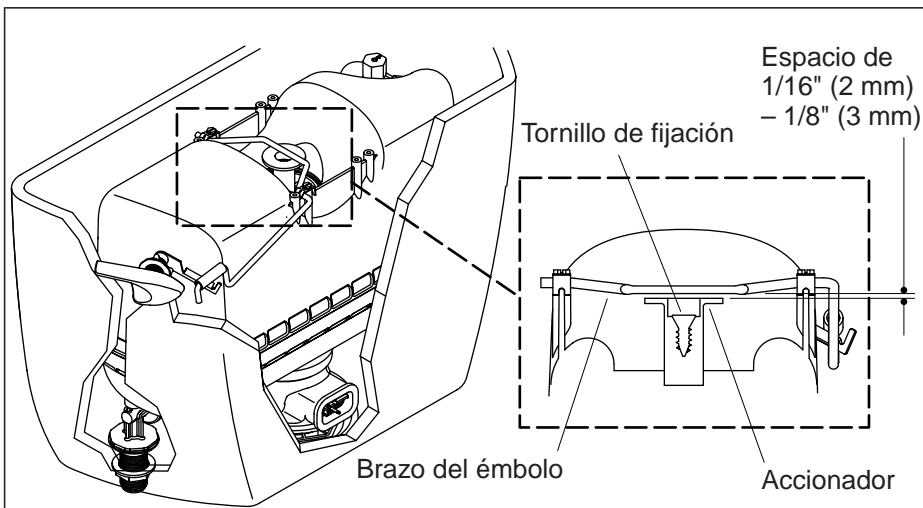
Cuando se utiliza la palanca de descarga, el montaje del émbolo del recipiente se activa, permitiendo que el agua presurizada se dirija a la taza para realizar la descarga completa del inodoro. A medida que baja el nivel de agua en el recipiente, el émbolo se cierra, parando el flujo de agua a la taza.

Un orificio en la parte inferior del montaje del recipiente permite que cualquier descarga de agua al tanque de porcelana vitrificada pase

Funcionamiento (cont.)

directamente a la taza del inodoro.

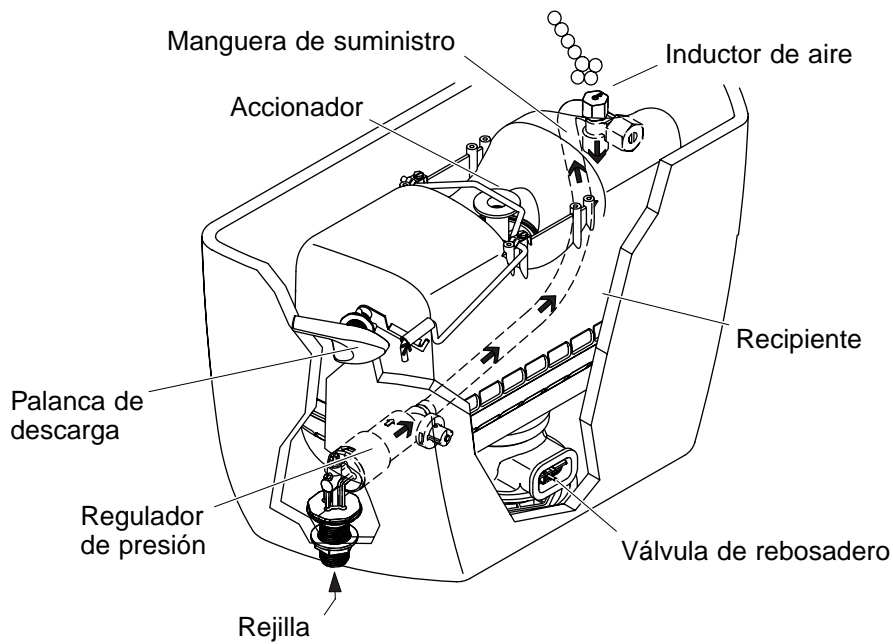
Después de descargar el inodoro, se produce un ciclo de carga. El agua del suministro fluye al recipiente a través de la rejilla y el regulador de presión. Luego, el agua pasa por el inductor de aire, donde se mezcla una pequeña cantidad de aire con agua, y se llena el recipiente hasta obtener una presión de aproximadamente 35 psi (2,5 kg/cm cuadrados). El inodoro estará listo para la siguiente descarga en 60 ó 90 segundos. Si el inodoro no está listo en este periodo de tiempo, consulte la guía para resolver problemas.



Espacio de separación

- Si el inodoro no funciona, es posible que se deba reajustar la separación entre el accionador y el brazo del émbolo. Verifique que el brazo de la palanca de descarga esté instalado y que la tuerca de la palanca de descarga esté apretada. Esta tuerca lleva la rosca hacia la izquierda; gire hacia la izquierda para apretar.
- Verifique que el suministro de agua esté abierto y que el agua procedente de la línea de suministro haya dejado de fluir al inodoro.
- Afloje el tornillo de fijación. Gire el accionador hasta que haya una separación de 1/16" (2 mm) a 1/8" (3 mm) entre el accionador y el brazo del émbolo. Gire el accionador hacia la derecha para aumentar la separación.
- Apriete el tornillo de fijación una vez ajustada correctamente la separación.

NOTA: Algún cambio en la separación puede ocasionar fugas hacia de la taza, debido a que el émbolo no se sellará bien. Esta circunstancia puede causar un flujo continuo de agua. Si el problema no se corrige después del ajuste, consulte la guía para resolver problemas.



Preparación del inodoro para el invierno

- Cierre el agua.
- Vacíe el tanque activando para ello el mecanismo de descarga. Presione el accionador durante aproximadamente un minuto para vaciar el agua del montaje del recipiente.
- Desconecte la línea de suministro de agua al inodoro.
- Retire el vástago de suministro y vacíe el agua del tanque.
- Presione el accionador una vez más, luego súbalo hacia arriba para que entre aire en el recipiente.
- Vierta anticongelante en la taza del inodoro para evitar que el agua se congele. Utilice anticongelante comúnmente empleado en campers, casas móviles y barcos.
- Para volver a iniciar el uso del inodoro, reconecte primero la línea de suministro de agua al inodoro. Luego abra el suministro de agua y deje que el sistema se presurice durante un minuto como mínimo.

Preparación del inodoro para el invierno (cont.)

- Compruebe que no haya fugas, y vuelva a apretar las conexiones que presenten fugas.

NOTA: Para más información consulte el manual de mantenimiento del usuario de Sloan Flushmate.

Garantía limitada de un año

Para los Estados Unidos y Canadá solamente

Se garantiza que los aparatos sanitarios, accesorios y la grifería de KOHLER® están libres de defectos de material y fabricación por un año a partir de la fecha de instalación.

Kohler Co., a su elección, reparará, reemplazará o hará los ajustes apropiados en los casos en que la inspección realizada por Kohler Co. demuestre la presencia de cualquier defecto ocurrido con el uso normal en el transcurso de un año desde la fecha de la instalación. Kohler Co. no se hace responsable de los gastos de instalación o desmontaje.

Para obtener el servicio de garantía, comuníquese con Kohler a través de su distribuidor, contratista de plomería o distribuidor a través de Internet, o escriba directamente a: Kohler Co., Att: Customer Service Department, 444 Highland Drive, Kohler, WI 53044, USA, o llame al 1-800-4-KOHLER desde los Estados Unidos, al 1-800-964-5590 desde Canadá, o al 001-877-680-1310 desde México.

Toda garantía implícita en relación a productos de uso comercial, incluyendo la comercialización e idoneidad del producto para un uso determinado, se limita expresamente a la duración de la presente garantía. Kohler Co. no se hace responsable por daños indirectos, incidentales o emergentes. Algunos estados/provincias no permiten limitaciones en cuanto a la duración de la garantía implícita o a la exclusión o limitación de daños incidentales o de consecuencia, por lo que es posible que estas limitaciones y exclusiones no le afecten. La presente garantía le otorga ciertos derechos legales específicos. Además, es posible que usted cuente con derechos que varían de estado a estado y provincia a provincia.

El presente documento constituye nuestra garantía exclusiva por escrito.

Notas:

1. Puede que haya leves variaciones de color entre las imágenes del catálogo y los aparatos sanitarios actuales.
2. Kohler Co. se reserva el derecho de efectuar cambios en las

Garantía limitada de un año (cont.)

características del producto, embalaje o disponibilidad en cualquier momento, sin previo aviso.

COPYRIGHT © 1999, 2000, 2001, 2002 POR KOHLER CO.

Garantía de un año

Sólo para México

KOHLER CO.

Al adquirir el producto, se recomienda verificar que todos los accesorios y componentes contenidos en la caja estén completos.

Kohler Co. garantiza la falta de defectos de material o fabricación en este producto, por un (1) año, a partir de la fecha de compra que aparece en la factura o recibo.

1. Kohler Co. prestará servicio únicamente a los productos comercializados a través de sus distribuidores autorizados.
2. A fin de obtener el servicio de garantía, favor de presentar la factura de compra y la garantía correspondiente.
3. Kohler Co., a través de sus distribuidores autorizados, se compromete a reparar el producto defectuoso o a reemplazarlo por uno nuevo o equivalente (en caso de que el producto esté discontinuado) cuando no sea posible la reparación, sin ningún cargo al consumidor.
4. El tiempo de reparación no excederá de seis (6) semanas, a partir de la fecha de recepción del producto.
5. Se recomienda al consumidor que conserve el recibo o factura de compra como protección adicional, pues el mismo puede sustituir a la garantía, en caso de que exista discrepancia en cuanto a la validez de la misma.

EXCEPCIONES Y RESTRICCIONES

La garantía no tendrá validez en los siguientes casos:

1. Cuando el producto no se haya utilizado conforme a las instrucciones de uso y funcionamiento incluidas en el manual del usuario y cuando no se hayan observado las recomendaciones y advertencias allí contenidas.
2. Cuando el producto se haya modificado o desmantelado parcial o totalmente; o manipulado de manera negligente y, como consecuencia, haya sufrido daños atribuibles al consumidor, persona o talleres no autorizados por Kohler Co.

Garantía de un año (cont.)

3. Esta garantía no cubre los daños que resulten como consecuencia de desastres naturales, tales como incendios o actos divinos, incluyendo inundaciones, tormentas eléctricas u otros. Para obtener una lista de distribuidores cerca de usted y así hacer valer sus derechos bajo esta garantía, llame al 001-877-680-1310.

KOHLER CO., KOHLER, WI 53044 U.S.A.

IMPORTADOR:

INTERNACIONAL DE CERÁMICA, S.A. DE C.V.

AV. CARLOS PACHECO NO. 7200

CHIHUAHUA, CHIH., MÉXICO C.P. 31060

TEL: 52 (14) 29-11-11

Guía para resolver problemas

Consejos para resolver problemas

NOTA: La tabla para resolver problemas está diseñada únicamente como ayuda general. Para obtener servicio cubierto por la garantía, póngase en contacto con el vendedor o el distribuidor mayorista.

Tabla para resolver problemas

Síntomas	Acción recomendada
1. Descarga deficiente.	<ul style="list-style-type: none">A. Limpie por debajo del borde de la taza del inodoro.B. Utilice un desatascador en la taza para eliminar las obstrucciones. De ser necesario, introduzca una sonda para inodoros en la trampa, y luego guíe la sonda hasta llegar al agujero de desagüe.C. Ajuste la separación entre el accionador y el brazo del émbolo a aproximadamente 1/8" (3 mm).D. Abra la llave de paso completamente.E. Limpie la rejilla con un cepillo de cerdas duras. Reemplace la rejilla de ser necesario. (Llame al 1-800-533-3450 para asistencia.)F. Limpie o reemplace el regulador del flujo.

Guía para resolver problemas (cont.)

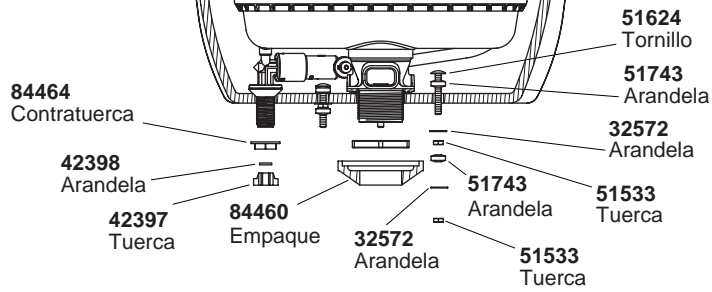
Síntomas	Acción recomendada
	G. Para más asistencia, consulte con el instalador o distribuidor.
2. El inodoro no descarga.	A. Abra la llave de paso del agua completamente. B. Apriete la tuerca (gire hacia la izquierda). C. Conecte el brazo del émbolo sobre el brazo de descarga. D. Limpie la rejilla. (Llame al 1-800-533-3450 para asistencia.) Reemplace la rejilla de ser necesario. E. Limpie o reemplace el regulador del flujo. F. Reemplace los componentes de la entrada. (Llame al 1-800-533-3450 para asistencia.)
3. El agua de la taza del inodoro continúa fluyendo o el agua de llenado del tanque no se detiene.	A. Ajuste la separación entre el accionador y el brazo del émbolo a aproximadamente 1/8" (3 mm). B. Reemplace o repare el brazo del émbolo (consulte al instalador o distribuidor para asistencia). C. Reemplace la unidad inferior de suministro.
Para más asistencia, consulte también el manual de mantenimiento de Sloan Flushmate® incluido con el tanque.	

1044434 (Lado izquierdo)
1044435 (Lado derecho)
Montaje del brazo del émbolo

78132
Tuerca de la palanca
de descarga

1045276** (Lado izquierdo)
1045277** (Lado derecho)
Palanca de descarga

Para el mantenimiento del recipiente
Sloan, llame al 1-800-533-3450.



**Código del color/acabado necesario.

Piezas de repuesto

1044956-5-**B**

USA: 1-800-4-KOHLER
Canada: 1-800-964-5590
México: 001-877-680-1310

kohler.com

THE BOLD LOOK
OF **KOHLER**®

©2005 Kohler Co.

1044956-5-B