

JUNO

2" LED ROUND ADJUSTABLE 600 LUMEN 2A Series

Project: _____

Fixture Type: _____

Location: _____

Contact/Phone: _____



PRODUCT DESCRIPTION

2 inch aperture recessed adjustable is IC rated for insulated or non-insulated applications • Luminaire produces up to 600 lumens and is available with optical distributions approximating that of 50W MR16 halogen lamps • Low profile form factor allows luminaire to fit in 2 x 6 construction • Designed to provide 50,000 hours of life • 5 year limited warranty on LED Components.

ENVIRONMENTALLY FRIENDLY, ENERGY EFFICIENT

- No harmful ultraviolet or infrared wavelengths
- No lead or mercury, RoHS compliant
- Comparable light output to a 50W MR16 halogen lamp

PRODUCT SPECIFICATIONS

LED Light Engine Exceptional fixture to fixture color consistency within a 3-step MacAdam ellipse • 2700K, 3000K, 3500K, and 4100K color temperatures are available with 80 CRI or 90 CRI minimum.

Modular Optics Available with field interchangeable optics in 18° Spot, 24° Narrow Flood, or 40° Flood distributions • Gimbal provides up to 35° vertical aiming and 360° horizontal aiming.

Aesthetic Trim Trim features die cast beveled knife edge trim ring or frame for clean ceiling interface • Die cast gimbal style trims are available in white, black, satin nickel, or brushed bronze.

LED Driver Choice of dedicated 120 volt driver or universal voltage driver that accommodates input voltages from 120-277 volts AC at 50/60Hz • Power factor > 0.9 • Dedicated 120 volt driver (-1) is dimmable with the use of most incandescent, magnetic low voltage and electronic low voltage dimmers • Universal voltage driver (-U) is dimmable with the use of most 0-10V protocol dimmers • For a list of compatible dimmers, see [JUNO2INCH-DIM](#).

Life Rated for 50,000 hours at 70% lumen maintenance.

Labels ENERGY STAR® Qualified • 90CRI fixtures are certified to the high efficacy requirements of California T24 • Meets energy code Air Leakage requirements per ASTM E283 • UL and cUL listed for damp locations.

Junction Box Includes (2) ½" knock-outs equipped with pryout slots • Push-in electrical connectors for field connections.

Mounting Remodel style plaster frame installs from below the ceiling and accommodates ceiling thicknesses from ½" to 1" • For thicker ceilings up to 1 ½", order 2-JCTA150 • New Construction mounting frame, 2-NCMF, is also available with Real Nail 3® telescoping bar hangers to position fixture and locate wiring prior to ceiling installation.

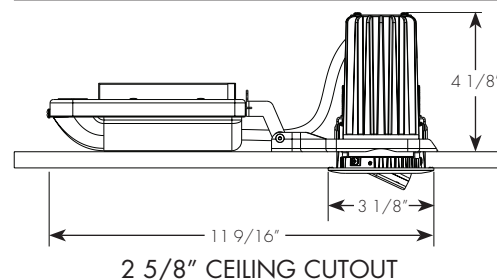
Product specifications subject to change without notice.



Trim Finishes



DIMENSIONS



ENGINEERING DATA

	Dedicated 120V (-1)	Universal Voltage (-U)
Voltage	120	120 277
Input Power	10.1 (±5%)	9.7 9.8 (±5%)
Input Current	.09	.08 .04
Frequency	50/60Hz	50/60Hz
Power Factor	.94	.98 .98

2" LED ROUND ADJUSTABLE 600 LUMEN 2A Series

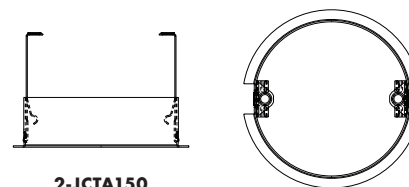
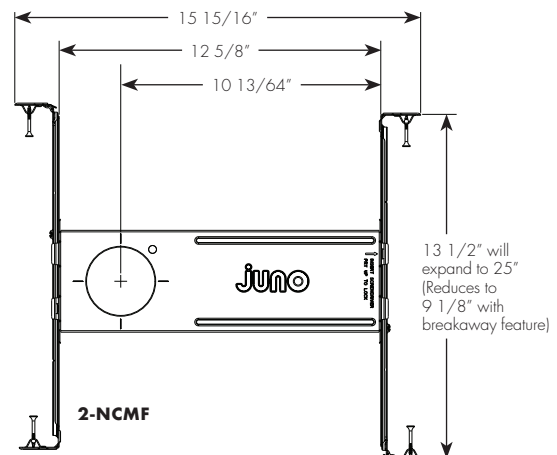
ORDERING INFORMATION:

Example: **2A-927N1-WH**

Series	CRI/Color Temperature		Beam Optics	Drivers	Finish
2A Adjustable Gimbal	827 2700K, 80CRI	927 2700K, 90CRI	S 18° Spot N 24° Narrow Flood F 40° Flood	1 Dedicated 120V Only (Forward Phase + ELV Dimmable) U Universal Voltage 120-277V (0-10V Dimmable)	WH White BL Black SN Satin Nickel BZ Bronze
	830 3000K, 80CRI	930 3000K, 90CRI			
	835 3500K, 80CRI	935 3500K, 90CRI			
	841 4100K, 80CRI	941 4100K, 90CRI			

ACCESSORIES

Catalog No.	Description
2-NCMF	New Construction Mounting Frame with Real Nail® 3 bar hangers
2-JCTA150	Thick Ceiling adapter for 1" - 1½" thick ceiling
LEDOPTIC2-S	18° Spot Optic
LEDOPTIC2-N	24° Narrow Flood Optic
LEDOPTIC2-F	40° Flood Optic



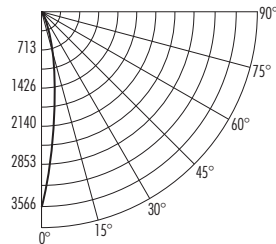
1300 S. Wolf Road • Des Plaines, IL 60018 • Phone (847) 827-9880 • Fax (847) 827-2925
 220 Chrysler Drive • Brampton, Ontario • Canada L6S 6B6 • Phone (905) 792-7335 • Fax (905) 792-0064
 Visit us at www.junolightinggroup.com

Printed in U.S.A. ©2014 Juno Lighting, LLC.

2" LED ROUND ADJUSTABLE 600 LUMEN 2A Series

PHOTOMETRIC REPORT

Test Report#: PTO1142702R
Catalog No: 2A-83551-WH
80 CRI, 3500K LED
with Spot Optic
Luminaire Spacing Criteria: 0.30
Luminaire LPW: 66



CANDLEPOWER DISTRIBUTION (Candelas)

Degrees Vertical	0°
0	3566
5	2744
15	850
25	226
35	80
45	28
55	12
65	7
75	4
85	2
90	0

AVERAGE INITIAL FOOTCANDLES Multiple Units (Square Array, 60'x60' room)

Reflectances: Ceiling 80%, Wall 50%, Floor 20%

Spacing	RCR1	RCR3	RCR5
4'	46	41	38
5'	30	26	24
6'	21	18	17
7'	17	15	14
8'	13	12	11
9'	10	9	8
10'	7	7	6

ZONAL LUMEN SUMMARY

Zone	Lumens	%Lamp	%Fixture
0-30°	564	N/A	85.3
0-40°	615	N/A	93.1
0-60°	649	N/A	98.1
0-90°	661	N/A	100.0

INITIAL FOOTCANDLES (One Unit, 10W, 16.7° Beam)

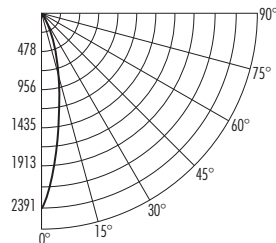
Distance to Illuminated Plane (Feet)	Footcandles Beam Center	Beam Diameter
4'	222.9	1.2
6'	99.1	1.8
8'	55.7	2.3
10'	35.7	2.9
12'	24.8	3.5

LUMINANCE (Average cd/m²)

Degrees	Average Luminance
45°	37436
55°	20092
65°	15119
75°	14107
85°	17019

PHOTOMETRIC REPORT

Test Report#: PTO1142703R
Catalog No: 2A-835N1-WH
80 CRI, 3500K LED
with Narrow Flood Optic
Luminaire Spacing Criteria: 0.40
Luminaire LPW: 64



CANDLEPOWER DISTRIBUTION (Candelas)

Degrees Vertical	0°
0	2391
5	2085
15	811
25	251
35	83
45	31
55	15
65	9
75	6
85	2
90	0

AVERAGE INITIAL FOOTCANDLES Multiple Units (Square Array, 60'x60' room)

Reflectances: Ceiling 80%, Wall 50%, Floor 20%

Spacing	RCR1	RCR3	RCR5
4'	44	39	36
5'	28	25	23
6'	20	17	16
7'	16	14	13
8'	13	11	10
9'	10	9	8
10'	7	6	6

ZONAL LUMEN SUMMARY

Zone	Lumens	%Lamp	%Fixture
0-30°	526	N/A	82.7
0-40°	580	N/A	91.2
0-60°	619	N/A	97.3
0-90°	636	N/A	100.0

INITIAL FOOTCANDLES (One Unit, 10W, 23.5° Beam)

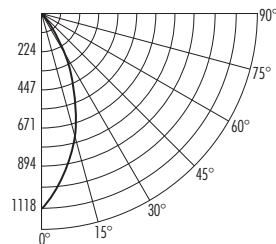
Distance to Illuminated Plane (Feet)	Footcandles Beam Center	Beam Diameter
4'	124.5	1.7
6'	55.3	2.5
8'	31.1	3.3
10'	19.9	4.2
12'	13.8	5.0

LUMINANCE (Average cd/m²)

Degrees	Average Luminance
45°	41471
55°	24866
65°	21059
75°	20720
85°	24874

PHOTOMETRIC REPORT

Test Report#: PTO1142704R
Catalog No: 2A-835F1-WH
80 CRI, 3500K LED
with Flood Optic
Luminaire Spacing Criteria: 0.66
Luminaire LPW: 63



CANDLEPOWER DISTRIBUTION (Candelas)

Degrees Vertical	0°
0	1118
5	1068
15	766
25	384
35	135
45	45
55	16
65	6
75	3
85	1
90	0

AVERAGE INITIAL FOOTCANDLES Multiple Units (Square Array, 60'x60' room)

Reflectances: Ceiling 80%, Wall 50%, Floor 20%

Spacing	RCR1	RCR3	RCR5
4'	44	38	34
5'	28	25	22
6'	20	17	15
7'	16	14	12
8'	13	11	10
9'	10	8	7
10'	7	6	5

ZONAL LUMEN SUMMARY

Zone	Lumens	%Lamp	%Fixture
0-30°	486	N/A	76.5
0-40°	573	N/A	90.3
0-60°	624	N/A	98.3
0-90°	635	N/A	100.0

INITIAL FOOTCANDLES (One Unit, 10W, 40.9° Beam)

Distance to Illuminated Plane (Feet)	Footcandles Beam Center	Beam Diameter
4'	69.8	3.0
6'	31.0	4.5
8'	17.5	6.0
10'	11.2	7.5
12'	7.8	8.9

LUMINANCE (Average cd/m²)

Degrees	Average Luminance
45°	60027
55°	26657
65°	14309
75°	11021
85°	7855

Fixtures tested to IES recommended standard for solid state lighting per LM-79-08. Photometric performance on a single unit represents a baseline of performance for the fixture. Results may vary in the field.

Multiplier:	80 CRI	90 CRI
	827 = .94	927 = .83
	830 = .97	930 = .86
	835 = 1.00	935 = .88
	841 = 1.03	940 = .90