

JUNO

2" IC 600 LUMENS LED ROUND DOWNLIGHT

2B and 2C Series

Project: _____

Fixture Type: _____

Location: _____

Contact/Phone: _____



PRODUCT DESCRIPTION

2 inch aperture recessed downlight is IC rated for insulated or non-insulated applications • Luminaire produces up to 600 lumens and is available with optical distributions approximating that of 50W MR16 halogen lamps • Low profile form factor allows luminaire to fit in 2 x 6 construction • Designed to provide 50,000 hours of life • 5 year limited warranty on LED Components.

ENVIRONMENTALLY FRIENDLY, ENERGY EFFICIENT

- No harmful ultraviolet or infrared wavelengths
- No lead or mercury, RoHS compliant
- Comparable light output to a 50W MR16 halogen lamp

PRODUCT SPECIFICATIONS

LED Light Engine Exceptional fixture to fixture color consistency within a 3-step MacAdam ellipse • 2700K, 3000K, 3500K, and 4100K color temperatures are available with 80 CRI or 90 CRI minimum.

Modular Optics Available with field interchangeable optics in 18° Spot, 24° Narrow Flood, or 40° Flood distributions.

Aesthetic Trim Trim features die cast beveled knife edge trim ring or frame for clean ceiling interface available in white, black, satin nickel, or brushed bronze • Die cast baffles are available in white, black, satin nickel, or brushed bronze • Spun aluminum reflectors are available in clear, haze, wheat haze, and white finishes.

LED Driver Choice of dedicated 120 volt driver or universal voltage driver that accommodates input voltages from 120-277 volts AC at 50/60Hz • Power factor > 0.9 • Dedicated 120 volt driver (-1) is dimmable with the use of most incandescent, magnetic low voltage and electronic low voltage dimmers • Universal voltage driver (-U) is dimmable with the use of most 0-10V protocol dimmers • For a list of compatible dimmers, see [JUNO2INCH-DIM](#).

Life Rated for 50,000 hours at 70% lumen maintenance.

Labels ENERGY STAR® Qualified • 90CRI fixtures are certified to the high efficacy requirements of California T24 • Meets energy code Air Leakage requirements per ASTM E283 • UL and cUL listed for wet locations.

Junction Box Includes (2) ½" knock-outs equipped with pryout slots • Push-in electrical connectors for field connections.

Mounting Remodel style plaster frame installs from below the ceiling and accommodates ceiling thicknesses from ½" to 1" • For thicker ceilings up to 1 ½", order 2-JCTA150 • New Construction mounting frame, 2-NCMF, is also available with Real Nail 3® telescoping bar hangers to position fixture and locate wiring prior to ceiling installation.

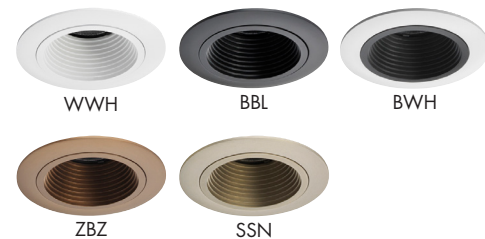
Product specifications subject to change without notice.

ENGINEERING DATA

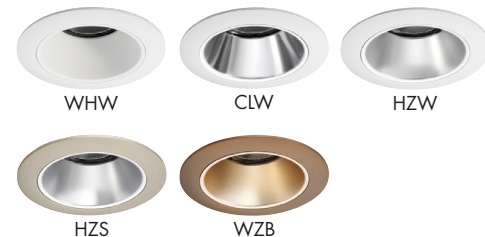
	Dedicated 120V (-1)	Universal Voltage (-U)	
Voltage	120	120	277
Input Power	10.1 (±5%)	9.7	9.8 (±5%)
Input Current	.09	.08	.04
Frequency	50/60Hz	50/60Hz	
Power Factor	.94	.98	.98



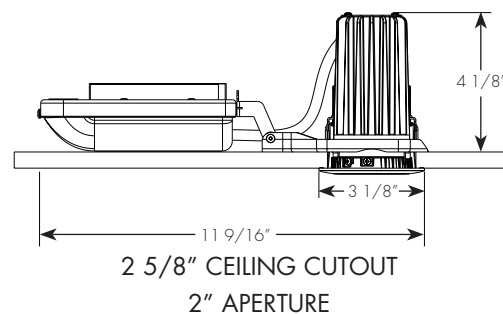
Downlight Baffle Finishes



Downlight Cone Finishes



DIMENSIONS



2" IC 600 LUMENS LED ROUND DOWNLIGHT

2B and 2C Series

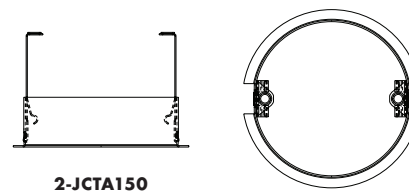
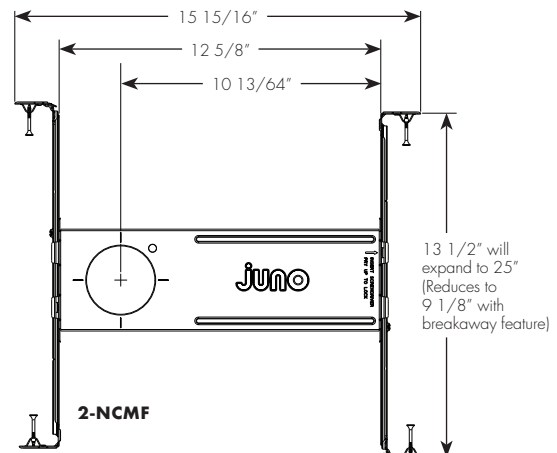
ORDERING INFORMATION:

Example: **2B-927N1-WWH**

Series	CRI/Color Temperature		Beam Optics	Drivers	Finish	
2B Downlight Baffle	827 2700K, 80CRI	927 2700K, 90CRI	S 18° Spot	I Dedicated 120V Only (Forward Phase + ELV Dimmable)	Downlight Baffle WWH White Baffle, White Trim Ring	Downlight Cone WHW White Cone, White Trim Ring
2C Downlight Cone	830 3000K, 80CRI	930 3000K, 90CRI	N 24° Narrow Flood	U Universal Voltage 120-277V (0-10V Dimmable)	BBL Black Baffle, Black Trim Ring	CLW Clear Cone, White Trim Ring
	835 3500K, 80CRI	935 3500K, 90CRI	F 40° Flood		BWH Black Baffle, White Trim Ring	HZW Haze Cone, White Trim Ring
	841 4100K, 80CRI	941 4100K, 90CRI			ZBZ Bronze Baffle, Bronze Trim Ring	HZS Haze Cone, Satin Nickel Trim Ring
					SSN Satin Nickel Baffle, Satin Nickel Trim Ring	WZB Wheat Haze Cone, Bronze Trim Ring

ACCESSORIES

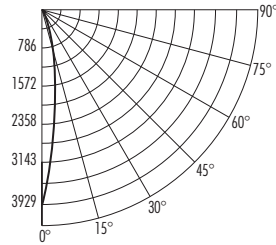
Catalog No.	Description
2-NCMF	New Construction Mounting Frame with Real Nail® 3 bar hangers
2-JCTA150	Thick Ceiling adapter for 1" - 1½" thick ceiling
LEDOPTIC2-S	18° Spot Optic
LEDOPTIC2-N	24° Narrow Flood Optic
LEDOPTIC2-F	40° Flood Optic



2" IC 600 LUMENS LED ROUND DOWNLIGHT 2B and 2C Series

PHOTOMETRIC REPORT

Test Report#: PT01142303R
Catalog No: 2B-835S1-WWH
80 CRI, 3500K LED, White Baffle
with Spot Optic
Luminaire Spacing Criteria: 0.30
Luminaire LPW: 65



CANDLEPOWER DISTRIBUTION (Candelas)

Degrees Vertical	0°
0	3929
5	3055
15	917
25	222
35	38
45	12
55	8
65	5
75	3
85	1
90	0

AVERAGE INITIAL FOOTCANDLES Multiple Units (Square Array, 60'x60' room)

Reflectances: Ceiling 80%, Wall 50%, Floor 20%

Spacing	RCR1	RCR3	RCR5
4'	46	42	38
5'	29	27	25
6'	20	19	17
7'	17	15	14
8'	13	12	11
9'	10	9	8
10'	7	7	6

INITIAL FOOTCANDLES (One Unit, 10.1W, 17° Beam)

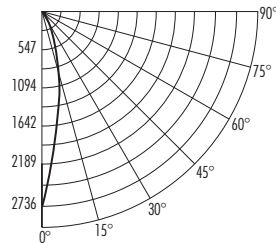
Distance to Illuminated Plane (Feet)	Footcandles Beam Center	Beam Diameter
4'	245.6	1.2
6'	109.1	1.8
8'	61.4	2.4
10'	39.3	3.0
12'	27.3	3.6

LUMINANCE (Average cd/m²)

Degrees	Average Luminance
45°	7799
55°	6245
65°	5650
75°	5052
85°	3914

PHOTOMETRIC REPORT

Test Report#: PT01142307R
Catalog No: 2B-835M1-WWH
80 CRI, 3500K LED, White Baffle
with Narrow Flood Optic
Luminaire Spacing Criteria: 0.40
Luminaire LPW: 62



CANDLEPOWER DISTRIBUTION (Candelas)

Degrees Vertical	0°
0	2736
5	2376
15	910
25	245
35	37
45	12
55	8
65	5
75	3
85	1
90	0

AVERAGE INITIAL FOOTCANDLES Multiple Units (Square Array, 60'x60' room)

Reflectances: Ceiling 80%, Wall 50%, Floor 20%

Spacing	RCR1	RCR3	RCR5
4'	44	39	36
5'	28	25	23
6'	19	18	16
7'	16	14	13
8'	12	11	10
9'	10	9	8
10'	7	6	6

INITIAL FOOTCANDLES (One Unit, 10.1W, 23.3° Beam)

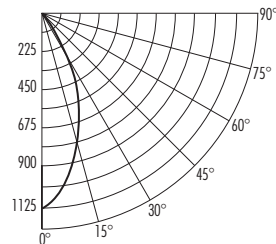
Distance to Illuminated Plane (Feet)	Footcandles Beam Center	Beam Diameter
4'	170.9	1.6
6'	76.0	2.5
8'	42.7	3.3
10'	27.4	4.1
12'	19.0	4.9

LUMINANCE (Average cd/m²)

Degrees	Average Luminance
45°	7799
55°	6245
65°	5650
75°	5052
85°	3914

PHOTOMETRIC REPORT

Test Report#: PT01142303R
Catalog No: 2B-835F1-WWH
80 CRI, 3500K LED, White Baffle
3500K LED with Flood Optic
Luminaire Spacing Criteria: 0.68
Luminaire LPW: 61



CANDLEPOWER DISTRIBUTION (Candelas)

Degrees Vertical	0°
0	1125
5	1072
15	786
25	412
35	111
45	24
55	9
65	6
75	4
85	1
90	0

AVERAGE INITIAL FOOTCANDLES Multiple Units (Square Array, 60'x60' room)

Reflectances: Ceiling 80%, Wall 50%, Floor 20%

Spacing	RCR1	RCR3	RCR5
4'	43	38	33
5'	27	24	21
6'	19	17	15
7'	15	14	12
8'	12	11	10
9'	9	8	7
10'	7	6	5

INITIAL FOOTCANDLES (One Unit, 10.1W, 42.2° Beam)

Distance to Illuminated Plane (Feet)	Footcandles Beam Center	Beam Diameter
4'	70.3	3.1
6'	31.3	4.6
8'	17.6	6.2
10'	11.3	7.7
12'	7.8	9.3

LUMINANCE (Average cd/m²)

Degrees	Average Luminance
45°	16402
55°	7137
65°	7264
75°	7029
85°	5871

Fixtures tested to IES recommended standard for solid state lighting per LM-79-08. Photometric performance on a single unit represents a baseline of performance for the fixture. Results may vary in the field.

Multiplier:	80 CRI	90 CRI
	827 = .94	927 = .83
	830 = .97	930 = .86
	835 = 1.00	935 = .88
	841 = 1.03	940 = .90

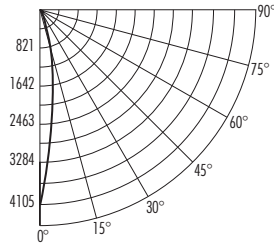


1300 S. Wolf Road • Des Plaines, IL 60018 • Phone (847) 827-9880 • Fax (847) 827-2925
220 Chrysler Drive • Brampton, Ontario • Canada L6S 6B6 • Phone (905) 792-7335 • Fax (905) 792-0064
Visit us at www.junolightinggroup.com

2" IC 600 LUMENS LED ROUND DOWNLIGHT 2B and 2C Series

PHOTOMETRIC REPORT

Test Report#: PT01141602R
Catalog No: 2C-835S1-CLW
80 CRI, 3500K LED, Clear Cone
with Spot Optic
Luminaire Spacing Criteria: 0.30
Luminaire LPW: 69



CANDLEPOWER DISTRIBUTION (Candelas)

Degrees Vertical	0°
0	4105
5	3206
15	948
25	239
35	43
45	12
55	3
65	0
75	0
85	0
90	0

AVERAGE INITIAL FOOTCANDLES Multiple Units (Square Array, 60'x60' room)

Reflectances: Ceiling 80%, Wall 50%, Floor 20%

Spacing	RCR1	RCR3	RCR5
4'	49	44	41
5'	31	28	26
6'	22	20	18
7'	17	16	15
8'	14	13	12
9'	11	10	9
10'	8	7	7

ZONAL LUMEN SUMMARY

Zone	Lumens	%Lamp	%Fixture
0-30°	641	N/A	93.4
0-40°	674	N/A	98.2
0-60°	686	N/A	100.0
0-90°	687	N/A	100.0

INITIAL FOOTCANDLES (One Unit, 10W, 17.5° Beam)

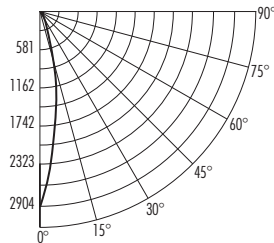
Distance to Illuminated Plane (Feet)	Footcandles Beam Center	Beam Diameter
4'	256.6	1.2
6'	114.0	1.8
8'	64.1	2.5
10'	41.1	3.1
12'	28.5	3.7

LUMINANCE (Average cd/m²)

Degrees	Average Luminance
45°	8040
55°	2082
65°	135
75°	0
85°	0

PHOTOMETRIC REPORT

Test Report#: PT01141702R
Catalog No: 2C-835N1-CLW
80 CRI, 3500K LED, Clear Cone
with Narrow Flood Optic
Luminaire Spacing Criteria: 0.40
Luminaire LPW: 66



CANDLEPOWER DISTRIBUTION (Candelas)

Degrees Vertical	0°
0	2904
5	2539
15	961
25	260
35	46
45	10
55	3
65	0
75	0
85	0
90	0

AVERAGE INITIAL FOOTCANDLES Multiple Units (Square Array, 60'x60' room)

Reflectances: Ceiling 80%, Wall 50%, Floor 20%

Spacing	RCR1	RCR3	RCR5
4'	47	42	39
5'	30	27	25
6'	21	19	17
7'	17	15	14
8'	13	12	11
9'	10	9	8
10'	7	7	6

ZONAL LUMEN SUMMARY

Zone	Lumens	%Lamp	%Fixture
0-30°	614	N/A	93.0
0-40°	649	N/A	98.3
0-60°	660	N/A	100.0
0-90°	661	N/A	100.0

INITIAL FOOTCANDLES (One Unit, 10W, 23.5° Beam)

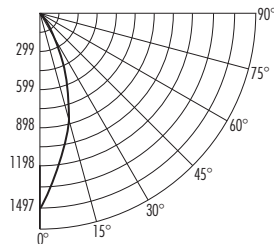
Distance to Illuminated Plane (Feet)	Footcandles Beam Center	Beam Diameter
4'	181.5	1.7
6'	80.7	2.5
8'	45.4	3.3
10'	29.0	4.2
12'	20.2	5.0

LUMINANCE (Average cd/m²)

Degrees	Average Luminance
45°	6673
55°	2280
65°	135
75°	0
85°	0

PHOTOMETRIC REPORT

Test Report#: PT01141706R
Catalog No: 2C-835F1-CLW
80 CRI, 3500K LED, Clear Cone
with Flood Optic
Luminaire Spacing Criteria: 0.54
Luminaire LPW: 65



CANDLEPOWER DISTRIBUTION (Candelas)

Degrees Vertical	0°
0	1497
5	1335
15	831
25	418
35	130
45	20
55	3
65	0
75	0
85	0
90	0

AVERAGE INITIAL FOOTCANDLES Multiple Units (Square Array, 60'x60' room)

Reflectances: Ceiling 80%, Wall 50%, Floor 20%

Spacing	RCR1	RCR3	RCR5
4'	45	40	36
5'	29	26	23
6'	20	18	16
7'	16	14	13
8'	13	11	10
9'	10	9	8
10'	7	6	6

ZONAL LUMEN SUMMARY

Zone	Lumens	%Lamp	%Fixture
0-30°	542	N/A	83.8
0-40°	626	N/A	96.9
0-60°	646	N/A	100.0
0-90°	646	N/A	100.0

INITIAL FOOTCANDLES (One Unit, 10W, 33.9° Beam)

Distance to Illuminated Plane (Feet)	Footcandles Beam Center	Beam Diameter
4'	93.6	2.4
6'	41.6	3.7
8'	23.4	4.9
10'	15.0	6.1
12'	10.4	7.3

LUMINANCE (Average cd/m²)

Degrees	Average Luminance
45°	13106
55°	2379
65°	0
75°	0
85°	0

Fixtures tested to IES recommended standard for solid state lighting per LM-79-08. Photometric performance on a single unit represents a baseline of performance for the fixture. Results may vary in the field.

Multiplier:	80 CRI	90 CRI
	827 = .94	927 = .83
	830 = .97	930 = .86
	835 = 1.00	935 = .88
	841 = 1.03	940 = .90



1300 S. Wolf Road • Des Plaines, IL 60018 • Phone (847) 827-9880 • Fax (847) 827-2925
220 Chrysler Drive • Brampton, Ontario • Canada L6S 6B6 • Phone (905) 792-7335 • Fax (905) 792-0064
Visit us at www.junolightinggroup.com