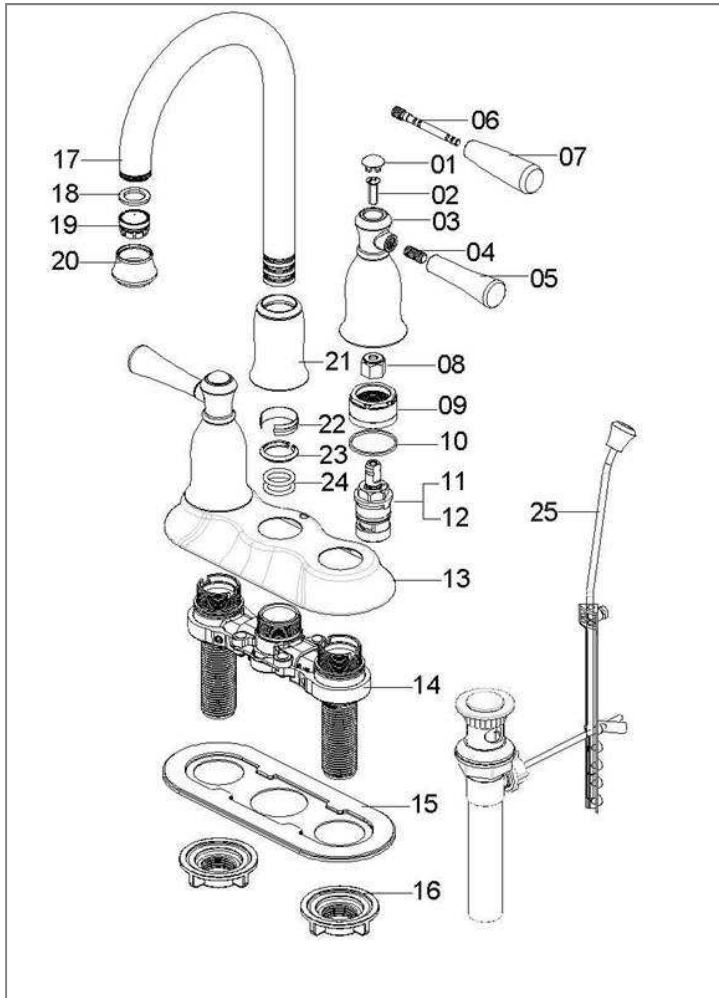


134905 Cartridge Removal-Replacement Instructions



1. Remove index (01).
2. Unscrew set screw (02) counter-clockwise with Phillips Screwdriver.
3. Lift handle (03) off the cartridge
4. Take out the sleeve (08) from the cartridge.
5. Unscrew bonnet (09) counter clock-wise

Note: This must be unscrewed with a wrench, be sure to tighten with a wrench after the new cartridge is installed, but do not over-tighten.

6. Lift cartridge (11&12) out and replace.
7. Replace with new cartridge and reverse above steps for reassembly.

Note: Cartridge for Hot and Cold sides turn in a different direction. If replacing both cartridges, please note which side they should be installed.