



Operator's Manual

Power Washer

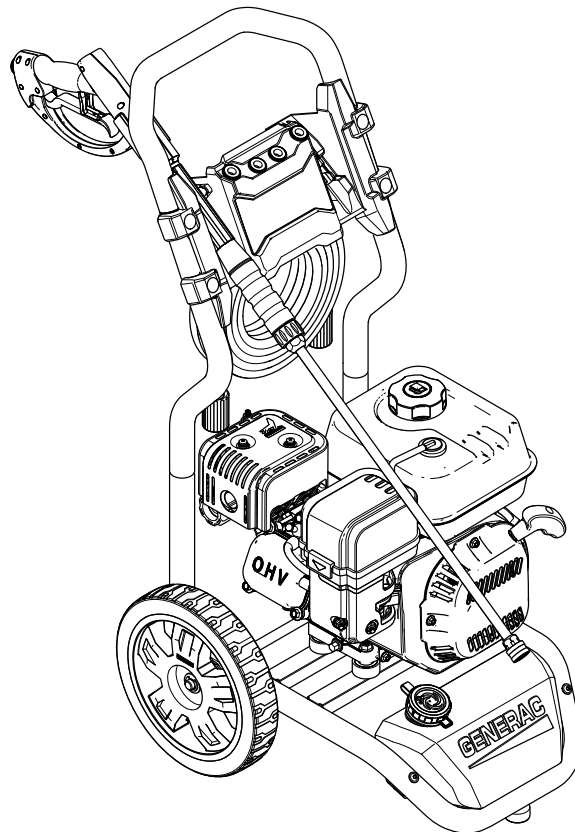


Table of Contents

Introduction.....	1	Maintenance	14
Where To Find Us.....	1	Maintenance Recommendations.....	14
Safety Rules	1	Maintenance Schedule	14
Safety Symbols and Meanings	1	Pump Oil.....	14
General Information.....	4	Emissions Control.....	14
Know Your Power Washer	4	Power Washer Maintenance	15
Product Specifications	5	Check and Clean Inlet Screen.....	15
Emissions Information	5	Check High Pressure Hoses	15
High Altitude Operation.....	5	Check Detergent Siphoning Tube	15
Unpacking.....	5	Check Spray Gun	15
Set-up	6	Nozzle Maintenance	15
Assembly.....	6	Engine Maintenance	16
Add Engine Oil	6	Engine Oil Recommendations.....	16
Add Fuel	7	Check Oil Level	16
Connect Hose and Water Supply to Pump	7	Adding Engine Oil.....	16
How to Use Nozzles.....	9	Changing Engine Oil	17
Cleaning and Applying Detergent	10	Service Air Cleaner	17
Power Washer Rinsing	11	Service Spark Plug.....	17
Cleaning Detergent Siphoning Tube.....	11	Inspect Muffler and Spark Arrestor	18
Operation	11	Remove Spark Arrestor Screen.....	18
Operation	11	After Each Use.....	18
Power Washer Location	11	Long Term Storage.....	19
Checklist Before Starting Engine.....	12	Protect Fuel System	19
How to Start Your Power Washer	12	Protect Engine.....	19
Automatic Cool Down System (Thermal Relief)	14	Change Oil	19
How to Stop Your Power Washer.....	14	Protecting the Pump During Winter Storage	19
		Other Storage Instructions.....	19
		Transporting/Tipping of the Unit	19
		Troubleshooting	20
		Troubleshooting Guide.....	20
		Notes	21

WARNING!

California Proposition 65

Engine exhaust and some of its constituents are known to the state of California to cause cancer, birth defects, and other reproductive harm.

WARNING!

California Proposition 65

This product contains or emits chemicals known to the state of California to cause cancer, birth defects, and other reproductive harm.

INTRODUCTION

Thank you for purchasing this power washer manufactured by Generac Power Systems, Inc. This model is a high performance, air-cooled, engine-driven power washer that operates at 2800 psi. The unit features custom designed wheels, axial cam pump with stainless steel pistons, automatic cool down system, quick connect nozzles, high pressure hose, detergent siphoning hose and a chemical tank.

Common sense and strict compliance with the special instructions are essential to preventing accidents. The operator must read this manual and thoroughly understand all of the instructions and warnings before using the equipment. If any portion of the manual is not understood, contact the nearest Authorized Dealer for starting, operating and servicing procedures. The owner is responsible for proper and safe use of the equipment.

The power washer can operate safely, efficiently and reliably only if it is properly located, operated and maintained. Before operating, servicing or storing:

- Study all warnings in this manual and on the product carefully.
- Become familiar with this manual and the unit before use.
- Refer to the Assembly section of the manual for instructions on final assembly procedures. Follow the instructions completely.

The manufacturer cannot anticipate every possible circumstance that might involve a hazard. The warnings in this manual, and on tags and decals affixed to the unit are, therefore, not all inclusive. If using a procedure, work method or operating technique that the manufacturer does not specifically recommend, ensure that it is safe for others. Also make sure the procedure, work method or operating technique utilized does not render the power washer unsafe.

THE INFORMATION CONTAINED HEREIN WAS BASED ON MACHINES IN PRODUCTION AT THE TIME OF PUBLICATION. GENERAC RESERVES THE RIGHT TO MODIFY THIS MANUAL AT ANY TIME.

Save these instructions for future reference. If you loan this device to someone, ALWAYS loan these instructions AND the Owner's Manual to the individual as well.

WHERE TO FIND US

You can contact Generac Customer Service by phone at 1-888-436-3722, or on the internet at www.generac.com. Record the important information of the unit in the following chart for future reference and/or service inquiries.

Model Number	
Serial Number	
Date Purchased	

SAFETY RULES

Throughout this publication, and on tags and decals affixed to the power washer, DANGER, WARNING, CAUTION and NOTE blocks are used to alert personnel to special instructions about a particular operation that may be hazardous if performed incorrectly or carelessly. Observe them carefully. Their definitions are as follows:

⚠ DANGER!

Indicates a hazardous situation or action which, if not avoided, will result in death or serious injury.

⚠ WARNING!

Indicates a hazardous situation or action which, if not avoided, could result in death or serious injury.

⚠ CAUTION!

Indicates a hazardous situation or action which, if not avoided, could result in minor or moderate injury.

NOTE:

Notes contain additional information important to a procedure and will be found within the regular text body of this manual.

These safety warnings cannot eliminate the hazards that they indicate. Common sense and strict compliance with the special instructions while performing the action or service are essential to preventing accidents.

SAFETY SYMBOLS AND MEANINGS



Hearing Protection



Toxic Fumes



Kickback



Electrical Shock



Slippery Surface



Fall



Fluid Injection



Fire



Explosion



Operator's Manual



Moving Parts




Flying Objects




Hot Surface

Safety Rules

 **DANGER: Carbon monoxide produced during use CAN KILL in minutes. NEVER use indoors, in a vehicle, or in other sheltered areas, EVEN IF doors and windows are open. Only use OUTSIDE and far away from windows, doors and vents.**

 **Some chemicals or detergents may be harmful if inhaled or ingested, causing severe nausea, fainting, or poisoning.**

- Operate power washer ONLY outdoors.
- A running engine gives off carbon monoxide.
- Carbon monoxide is an odorless, colorless, poisonous gas. Breathing carbon monoxide can cause headache, fatigue, dizziness, vomiting, confusion, seizures, nausea, fainting or death. If you start experiencing any of these symptoms, IMMEDIATELY move to fresh air. Seek medical attention.
- Keep exhaust gas from entering a confined area through windows, doors, ventilation intakes, or other openings. Warn any occupants inside about the symptoms of carbon monoxide so they know to move to fresh air if they begin to feel ill.
- The use of a carbon monoxide detector inside any occupied premises between the power washer and the occupant is recommended.
- NEVER start or run engine indoors, in a vehicle, or in an enclosed area, EVEN IF windows and doors are open.
- Use a respirator or mask whenever there is a chance that harmful gas or vapors may be inhaled.
- Read all instructions with respirator or mask so you are certain the respirator or mask will provide the necessary protection against inhaling harmful gas or vapors. If you begin to experience any of the CO symptoms listed above, IMMEDIATELY move to fresh air.

 **DANGER: NEVER aim spray gun at people, animals, or electrical devices. Serious injury or death will result. ALWAYS point spray gun in safe direction, squeeze spray gun trigger to release high pressure, every time you stop engine. Engage trigger lock when not in use.**



- The high pressure stream of water that this equipment produces can cut through skin and its underlying tissues, leading to serious injury, possible amputation or death. Spray gun traps high water pressure, EVEN WHEN engine is stopped and water is disconnected, which can cause injury.
- NEVER allow CHILDREN to operate power washer or play nearby. This is NOT a toy.
- NEVER repair high pressure hose. Replace it.
- NEVER repair leaking connections with sealant of any kind. Replace o-ring or seal.
- NEVER connect high pressure hose to nozzle extension.
- Keep high pressure hose connected to pump and spray gun while system is pressurized.
- NEVER secure spray gun in open position.
- NEVER leave spray gun unattended while machine is running.
- NEVER use a spray gun which does not have a trigger lock or trigger guard in place and in working order.
- ALWAYS be certain spray gun, nozzles and accessories are correctly attached.

 **WARNING: Risk of electrocution.**



Contact with power source can cause electric shock or burn.

- NEVER spray near power source.

 **WARNING: Contact with muffler area can result in serious burns. Exhaust heat/gases can ignite combustibles, structures or damage fuel tank causing a fire.**



- DO NOT touch hot parts and AVOID hot exhaust gases.
- Allow equipment to cool before touching.
- Keep at least five (5) feet (152 cm) of clearance on all sides of power washer including overhead.



- It is a violation of California Public Resource Code, Section 4442, to use or operate the engine on any forest-covered, brush-covered, or grass-covered land unless the exhaust system is equipped with a spark arrester, as defined in Section 4442, maintained in effective working order. Other states or federal jurisdictions may have similar laws.

Contact the original equipment manufacturer, retailer, or dealer to obtain a spark arrester designed for the exhaust system installed on this engine.

- Replacement parts must be the same and installed in the same position as the original parts.

 **WARNING: Fuel and its vapors are extremely flammable and explosive. Fire or explosion can cause severe burns or death.**



WHEN ADDING OR DRAINING FUEL

- Turn power washer OFF and let it cool at least two (2) minutes before removing fuel cap. Loosen cap slowly to relieve pressure in tank.



- Fill or drain fuel tank outdoors.
- DO NOT overfill tank. Allow space for fuel expansion.
- If fuel spills, wait until it evaporates before starting engine.
- Keep fuel away from sparks, open flames, pilot lights, heat, and other ignition sources.
- DO NOT light a cigarette or smoke.

WHEN STARTING EQUIPMENT

- Ensure spark plug, muffler, fuel cap, and air cleaner are in place.
- DO NOT crank engine with spark plug removed.

WHEN OPERATING EQUIPMENT

- DO NOT tip engine or equipment at angle which causes fuel to spill.
- DO NOT spray flammable liquids.

WHEN TRANSPORTING OR REPAIRING EQUIPMENT

- Transport/repair with fuel tank EMPTY or with fuel shutoff valve OFF.
- Disconnect spark plug wire.

WHEN STORING FUEL OR EQUIPMENT WITH FUEL IN TANK

- Store away from furnaces, stoves, water heaters, clothes dryers, or other appliances that have pilot light or other ignition source because they can ignite fuel vapors.

WARNING: Use of power washer can create puddles and slippery surfaces. Kickback from spray gun can cause you to fall.



- Use only on a level surface.
- The cleaning area should have adequate slopes and drainage to reduce the possibility of a fall due to slippery surfaces.



- Do not use on elevated surfaces where chance of kickback could result in a serious fall.
- Firmly grasp spray gun with both hands when using high pressure spray to avoid injury when spray gun kicks back.

WARNING: Starter and other rotating parts can entangle hands, hair, clothing, or accessories.



- NEVER operate power washer without protective housing or covers.
- DO NOT wear loose clothing, jewelry or anything that may be caught in the starter or other rotating parts.
- Tie up long hair and remove jewelry.

WARNING: Starter cord kickback (rapid retraction) can result in bodily injury. Kickback will pull hand and arm toward engine faster than you can let go. Broken bones, fractures, bruises, or sprains could result.



- NEVER pull starter cord without first relieving spray gun pressure.
- To relieve trapped pressure, point gun in safe direction and release pressure by pulling/actuating trigger on spray gun.
- When starting engine, pull cord slowly until resistance is felt and then pull rapidly to avoid kickback.
- After each starting attempt, where engine fails to run, always point spray gun in safe direction, and squeeze spray gun trigger to release high pressure.
- Firmly grasp spray gun with both hands when using high pressure spray to avoid injury when spray gun kicks back.

WARNING: Unintentional sparking can result in fire or electric shock.



WHEN ADJUSTING OR MAKING REPAIRS TO YOUR POWER WASHER.

- Disconnect the spark plug wire from the spark plug and place the wire where it cannot contact spark plug.



WHEN TESTING FOR ENGINE SPARK

- Use approved spark plug tester.
- DO NOT check for spark with spark plug removed.

WARNING: Risk of eye injury. Spray can splash back or propel objects.



- Always wear safety goggles when using this equipment or in vicinity of where equipment is in use.
- Before starting the power washer, be sure you are wearing adequate safety goggles.
- NEVER substitute safety glasses for safety goggles.

WARNING: Hearing Protection Recommended.



NOTE:

High pressure spray may damage fragile items including glass.

- DO NOT point spray gun at glass when using red (0°) MAX nozzle.
- NEVER aim spray gun at people, animals, electrical devices or plants.

NOTE:

Improper treatment of power washer can damage it and shorten its life.

- If you have questions about intended use, ask dealer or contact qualified service center.
- NEVER operate units with broken or missing parts, or without protective housing or covers.
- DO NOT by-pass any safety device on this machine.
- DO NOT operate power washer above rated pressure.
- DO NOT modify power washer in any way.
- Before starting power washer in cold weather, check all parts of the equipment to be sure ice has not formed there.
- NEVER move machine by pulling on hoses. Use handle provided on unit.
- Check fuel system for leaks or signs of deterioration, such as chafed or spongy hose, loose or missing clamps, or damaged tank or cap. Correct all defects before operating power washer.
- This equipment is designed to be used with Generac authorized parts ONLY. If equipment is used with parts that DO NOT comply with minimum specifications, user assumes all risks and liabilities.

General Information

KNOW YOUR POWER WASHER

Read this owner's manual and safety rules before operating your high power washer.

If you loan this device to someone, ALWAYS loan these instructions AND the owner's manual to the individual as well. Compare the illustrations with your high power washer to familiarize yourself with the locations of various controls (Figure 1). Save this manual for future reference. Replacement owner's manuals can be printed from the Generac Web site.

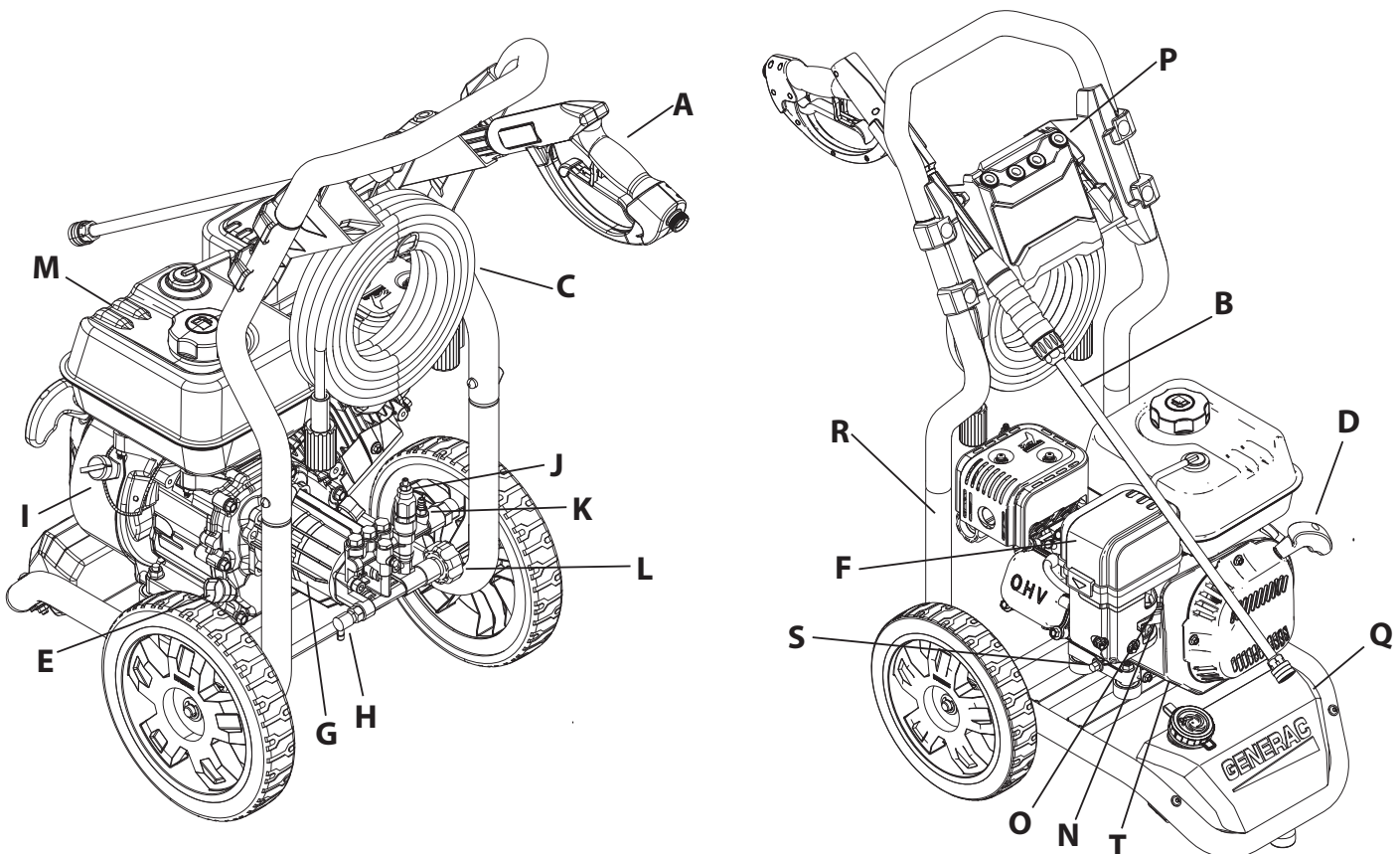
- A - Spray Gun** – Controls the application of water onto the cleaning surface with trigger device. Includes a trigger lock.
- B - Lance with Quick Connect** – Allows you to switch between different nozzles.
- C - High Pressure Hose** – Connect one end to water pump and the other to the spray gun.
- D - Recoil Starter** – Use for starting the engine.
- E - Oil Fill** – Check and add engine oil.
- F - Air Filter** – Protects engine by filtering dust and debris out of the intake air.
- G - Pump** – Develops high pressure.
- H - Thermal Relief Valve** – Cycles water through the pump when water reaches 125°F warm water will discharge from pump onto ground. This prevents internal pump damage.
- I - Engine On/Off Switch** – Turn this switch to “ON” before using the recoil starter. Turn the switch to “OFF” to stop the engine.

- J - Unloader Valve** – Controls the high pressure output.
- K - High Pressure Outlet** – Connection for high pressure hose.
- L - Water Inlet** – Connection for Garden Hose.
- M - Fuel Tank** – Fill tank with regular unleaded fuel. Always leave room for fuel expansion.
- N - Fuel On/Off Switch** – Turns fuel supply to the engine on and off.
- O - Choke** – Prepares a cold engine for starting.
- P - Nozzles** – Chemical injection, 0°, 25°, 40° for various high pressure cleaning applications.
- Q - Chemical Tank** – Used to hold power washer safe detergents to be siphoned into the low pressure stream.
- R - Warning/Operation Instruction** – Identifies proper procedure to start/stop power washer.
- S - Drain Plug** – Used to drain engine oil.
- T - Serial Number Location**

ITEMS NOT SHOWN

- Identification Label (on engine blower housing) – Provides model and serial number of power washer. Please have these readily available if calling for assistance.
- Detergent Siphoning Tube/Filter – Use to siphon power washer safe detergents into the low pressure stream.

Figure 1 – Features & Controls



PRODUCT SPECIFICATIONS

Pressure - (PSI / BAR).....	2800/193 Max
Flow Rate - (GPM / LPM).....	2.5/9.5 Max
Water supply temperature - (°F / C°).....	100/38 Max
Hose length - (Feet / Meters).....	25/7.6.1
Chemical Tank(s) - Number per unit.....	1
Chemical Tank - Capacity (Gal) N/A.....	0.50/1.9
Nozzles - Number per unit.....	4
Lance Length (Inches / cm).....	20/51
Gun.....	Standard
Engine Displacement - (Cubic Inch / cc).....	11.9/196
Spark Plug Type.....	F7TC or equivalent
Spark Plug Gap - (Inches / mm).....	0.028-0.031/0.70-0.80
Fuel Capacity - (Quarts / Liters).....	3.7/3.5
Oil Capacity - (Oz / Liters).....	20/0.6
Low Oil Shut Down System.....	No
On/Off Switch.....	Yes

EMISSIONS INFORMATION

The U.S. Environmental Protection Agency (and California Air Resource Board for equipment certified to CA standards) requires that this engine comply with exhaust and evaporative emission standards. Locate the emissions compliance decal on the engine to determine what standards the engine meets, and to determine which emissions warranty applies. The engine is certified to meet the applicable emission standards on gasoline. It is important to follow the maintenance specifications in the Maintenance section to ensure that the engine complies with the applicable emission standards for the duration of the product's life. This engine utilizes lean carburetion settings and other systems to reduce emissions. Tampering with or altering the emission control system may increase emissions and may be a violation of Federal or California Law. Acts that constitute tampering include but are not limited to:

- Removal or alteration of any part of the intake, fuel, or exhaust systems
- Altering or defeating the governor linkage or speed-adjusting mechanism to cause the engine to operate outside its design parameters

If you are aware of any of the following symptoms, have your engine inspected and repaired by your servicing dealer:

- Hard starting or stalling after starting
- Rough idle
- Misfiring or backfiring under load
- Afterburning (backfiring)
- Black exhaust smoke or high fuel consumption

HIGH ALTITUDE OPERATION

The fuel system on this engine may be influenced by operation at higher altitudes. Proper operation can be ensured by installing an altitude kit when required. See the table below to determine when an altitude kit is required. Operating this engine without the proper altitude kit installed may increase the engine's emissions and decrease fuel economy and performance. Kits may be obtained from any Dealer, and should be installed by a qualified individual.

Altitude*	Kit Number	PSI
0 - 5000 Feet	Not Required	2800
5000 - 7000 Feet	0K2015	2800
*Elevation above sea level.		

NOTE:

If the altitude kit has been installed and the engine will be operated at an altitude where the kit is not required, the engine should be returned to the original factory configuration. Operating the engine at lower altitudes with the kit installed may cause the engine to overheat and result in serious engine damage, and may result in decreased performance and increased emissions.

UNPACKING

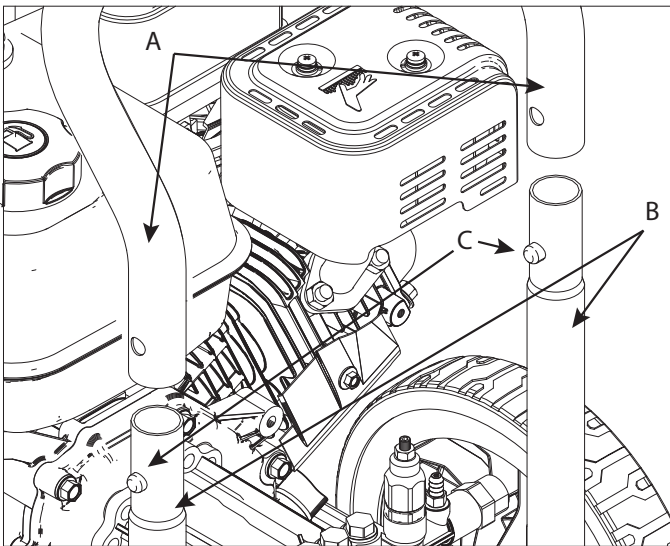
1. Remove the parts bag, accessories, and inserts included with power washer.
2. Open carton completely by cutting each corner from top to bottom.
3. Ensure you have all included items prior to assembly.
 - Main Unit
 - Handle Assembly
 - High Pressure Hose
 - Siphon Hose & Filter
 - Spray Gun
 - Lance with Quick Connect Fitting
 - Oil Bottle
 - Hose Hook Wireform
 - Parts Bag (which includes the following):
 - Operator's Manual
 - Owner's Registration Card
 - Bag containing Color-coded Nozzles
 - Funnel
4. If you are missing any items from your carton, please call Generac Customer Service at 1-888-436-3722. When calling for assistance, please have the model and serial number from the data tag available.
5. Fill out and send in registration card. Write Model number, Serial number & date of purchase in the table located in the "Where to Find Us" section.

ASSEMBLY

Read the entire operator's manual before you attempt to assemble. If you have any problems with the assembly of your power washer, please call Generac Customer Service at 1-888-436-3722. When calling for assistance, please have the model and serial number from the data tag available.

1. Place handle (A) onto handle supports (B). Push in latch buttons (C) and allow handle to slide into position. Button will lock handle into place (Figure 2).

Figure 2 – Attach Handle

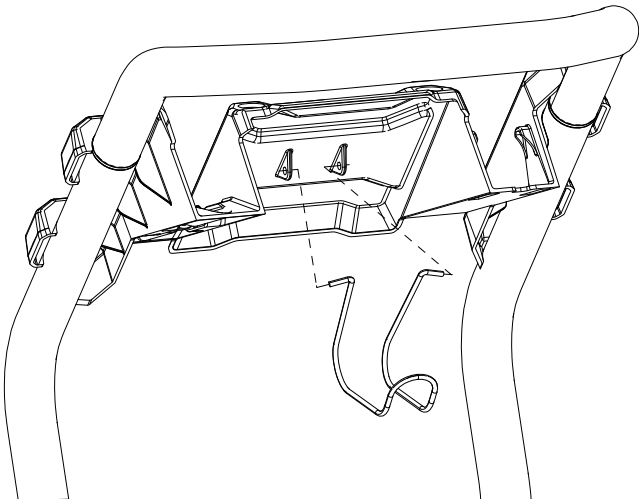


NOTE:

It may be necessary to move the handle supports from side to side in order to align the handle so it will slide over the handle supports.

2. Install hose hook (Figure 3).

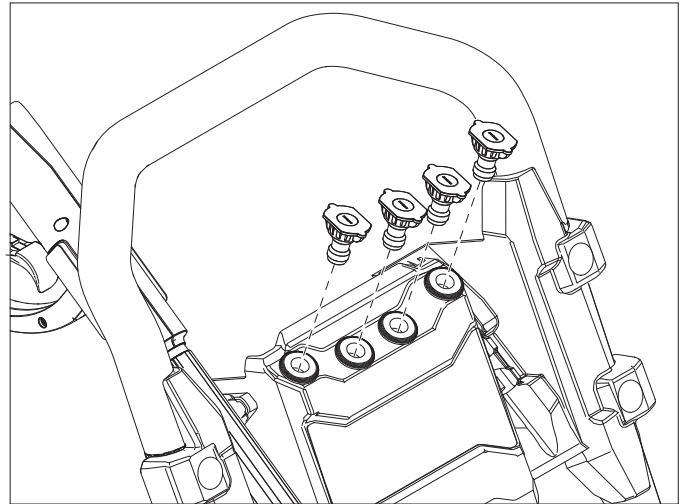
Figure 3 – Install Hose Hook



3. Insert color-colored nozzles in spaces provided in handle (Figure 4).

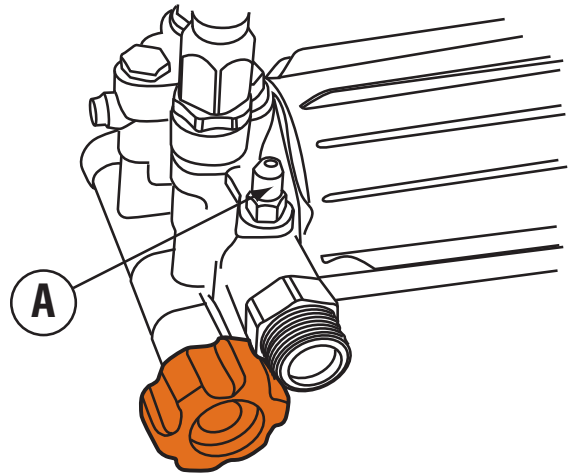
4. Place spray gun and nozzle extension into spray gun holder as shown (Figure 4).
5. Coil high pressure hose and hang on hook.

Figure 4 – Insert Nozzles



6. Attach siphon tube to location A (Figure 5).

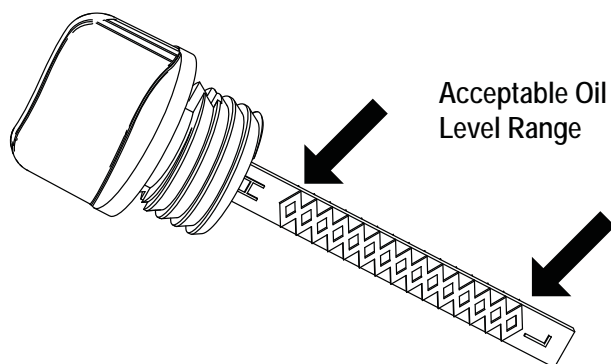
Figure 5 – Siphon Tube Location



ADD ENGINE OIL

1. Make sure power washer is on a level surface.
2. Clean area around oil fill.
3. Remove oil fill cap and wipe dipstick clean (Figure 6).
4. Using funnel, slowly pour oil into fill opening. See Maintenance Section for oil type recommendation.
5. Check periodically until the oil level is between "L" and "H" on the dipstick. Insert the dipstick into filler neck but do not screw it in.
6. Verify oil is at the proper level on the dipstick.
7. Replace and tighten oil fill cap.

Figure 6 – Dipstick

**NOTE:**

Any attempt to crank or start the engine before it has been properly serviced with the recommend oil may result in engine failure.

ADD FUEL

Fuel must meet these requirements:

- Clean, fresh, unleaded gasoline.
- A minimum of 87 octane/87 AKI (91 RON).
- Gasoline with up to 10% ethanol (gasohol) is acceptable.

NOTE:

Avoid power washer damage. Failure to follow Operator's Manual for fuel recommendations voids warranty.

- DO NOT use unapproved gasoline such as E85.
- DO NOT mix oil in gasoline.
- DO NOT modify engine to run on alternate fuels.

To protect the fuel system from gelling, mix in a fuel stabilizer when adding fuel. See Storage. All fuel is not the same. If you experience starting or performance problems after using fuel, switch to a different fuel provider or change brands.

⚠ WARNING!

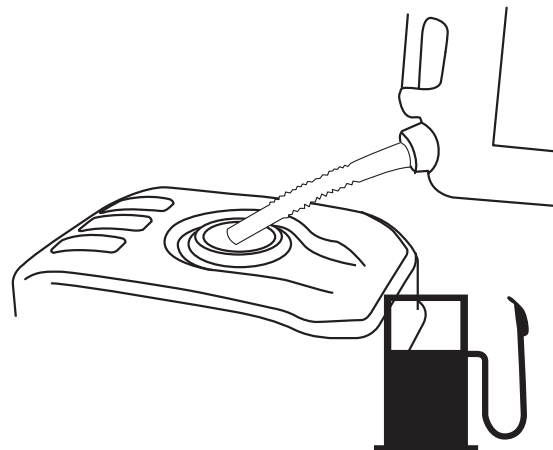
Fuel and its vapors are extremely flammable and explosive. Fire or explosion can cause severe burns or death.

WHEN ADDING FUEL

- Turn power washer OFF and let it cool at least two (2) minutes before removing fuel cap. Loosen cap slowly to relieve pressure in tank.
 - Fill fuel tank outdoors.
 - DO NOT overfill tank. Allow space for fuel expansion.
 - If fuel spills, wait until it evaporates before starting engine.
 - Keep fuel away from sparks, open flames, pilot lights, heat, and other ignition sources.
 - DO NOT light a cigarette or smoke.
1. Clean area around fuel fill cap, remove cap.
 2. Slowly add regular unleaded fuel to fuel tank. Be careful not to overfill. Fill to bottom of filter screen, this will allow for fuel expansion (Figure 7).

3. Install fuel cap and let any spilled fuel evaporate before starting engine.

Figure 7 – Adding Fuel

**CONNECT HOSE AND WATER SUPPLY TO PUMP****NOTE:**

DO NOT run the pump without the water supply connected and turned on. Damage to equipment resulting from failure to follow this instruction will void warranty.

NOTE:

Remove and discard the shipping cap from the pump's water inlet before attaching hose.

1. Run water through your garden hose for 30 seconds to clean out any debris.
2. Before connecting garden hose to water inlet, inspect inlet screen (A) (Figure 8). Clean screen if it contains debris or have it replaced if damaged. DO NOT run power washer if inlet screen is damaged.

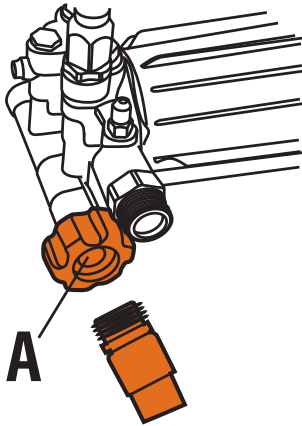
IMPORTANT: DO NOT siphon standing water for the water supply. Use ONLY cold water (less than 100°F). Water supply must be adequate to handle greater than 3.8 gallons per minute and no less than 30 psi.

NOTE:

Using a One Way Valve (vacuum breaker or check valve) at pump inlet can cause pump or inlet connector damage.

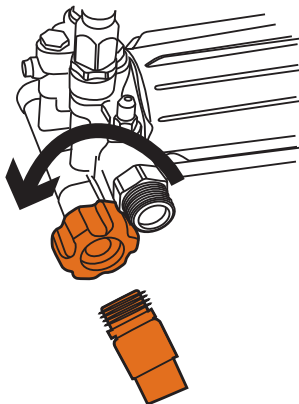
- There MUST be at least ten feet of unrestricted garden hose between the power washer inlet and any device, such as a vacuum breaker or check valve.
- Damage to equipment resulting from failure to follow this instruction will void warranty.

Figure 8 – Inspect Inlet Screen



3. Connect the garden hose (not to exceed 50 feet in length) to the water inlet (Figure 9). Tighten by hand.

Figure 9 – Connect Garden Hose



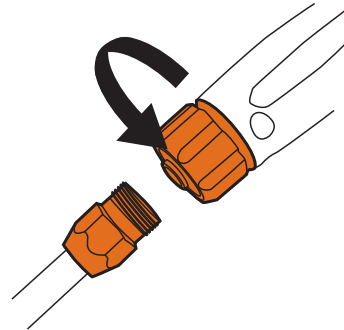
⚠ WARNING!

Risk of eye injury. Spray can splash back or propel objects.

- Always wear safety goggles when using this equipment or in vicinity of equipment in use.
- Before starting the power washer, be sure you are wearing adequate safety goggles.
- NEVER substitute safety glasses for safety goggles.

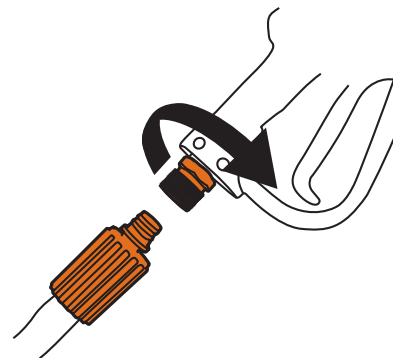
4. Connect lance to spray gun (Figure 10). Tighten by hand.

Figure 10 – Attach Lance



5. Attach end of high pressure hose to base of spray gun (Figure 11). Tighten by hand.

Figure 11 – Connect Hose to Spray Gun



⚠ DANGER!



The high pressure stream of water that this equipment produces can cut through skin and its underlying tissues, leading to serious injury and possible amputation.

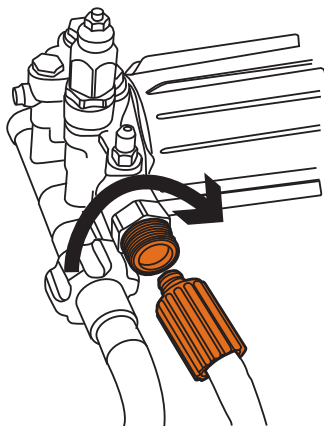
- NEVER connect high pressure hose to lance.
 - Keep high pressure hose connected to pump and spray gun while system is pressurized.
 - Always be certain spray gun, nozzles and accessories are correctly attached.
6. Connect high pressure hose to pump (uncoil hose before connecting to pump or spray gun) (Figure 12). Tighten by hand.

⚠ CAUTION!



The hose can be damaged if it comes in contact with a hot engine or muffler.

Figure 12 – Connect High Pressure Hose to Pump

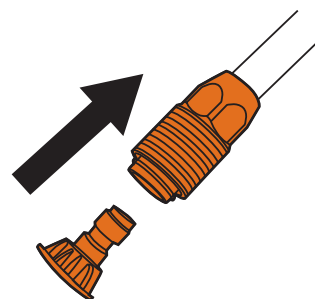


NOZZLE	PSI	GPM
Blast	2800	2.4
Wash	2600	2.5

Follow these instructions to change nozzles:

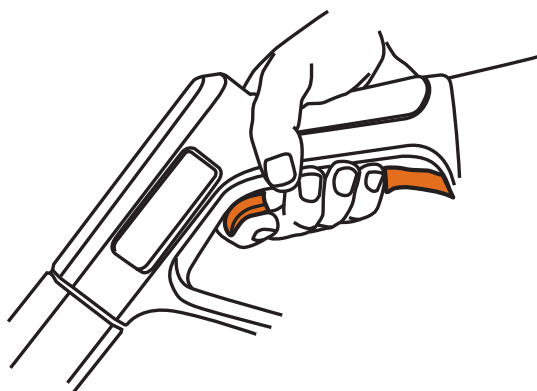
1. Pull back collar on quick-connect (Figure 14) and pull current nozzles off. Store nozzles in holder provided on the accessory storage.

Figure 14 – Nozzles



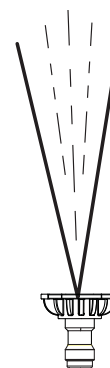
7. Turn ON the water, squeeze the trigger to purge the pump system of air (Figure 13).

Figure 13 – Squeeze Trigger



2. Select desired nozzle.
3. Pull back on collar, insert new nozzle and release collar. Tug on nozzle to make sure it is securely in place.
 - For delicate rinse (lower pressure and higher flow), for gentle cleaning of cars/trucks, boats, RV's, patio furniture, lawn equipment, etc., select white nozzle (Figure 15).

Figure 15 – Wash Pressure Nozzle (White)



HOW TO USE NOZZLES

The quick-connect on the nozzle lance allows you to switch between different nozzles. Nozzles can be changed while power washer is running once spray gun trigger is locked in the safety position. The nozzles vary the pressure and spray pattern as shown.

- For most effective cleaning, keep nozzle from 8 to 24 inches (20 to 61 cm) away from cleaning surface.
- If you get nozzle too close, especially using a high pressure nozzle, you may damage surface being cleaned.

⚠ DANGER!

The high pressure stream of water that this equipment produces can cut through skin and its underlying tissues, leading to serious injury and possible amputation.

- NEVER exchange nozzles without the trigger lock being engaged on the spray gun.
- DO NOT twist nozzles while spraying.

Set-up

- For general rinsing (medium pressure and medium flow), ideal for most all purpose cleaning such as home siding, brick patios, wood decks, driveways and sidewalks, garage floors, etc., select green nozzle (Figure 16).

Figure 16 – Clean Pressure Nozzle (Green)



- For maximum rinsing (higher pressure and lower flow), for stubborn or hard to reach surface such as second story surfaces, paint removal, oil stains, rust removal or other stubborn substances (tar, gum, grease, wax, etc.), select red nozzle (Figure 17).

⚠ CAUTION!

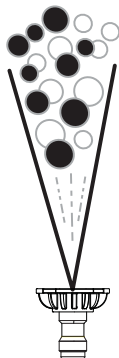
- ⚠ This tip (Red Nozzle) can damage work surface if it is too close or held in one position for an extended time.

Figure 17 – Blast Pressure Nozzle (Red)



- When applying detergent, use only the black nozzle (Figure 18). Only use power washer safe detergents/soaps to help break down stubborn dirt and grime on a variety of surfaces.

Figure 18 – Detergent Nozzle (Black)



CLEANING AND APPLYING DETERGENT

⚠ CAUTION!

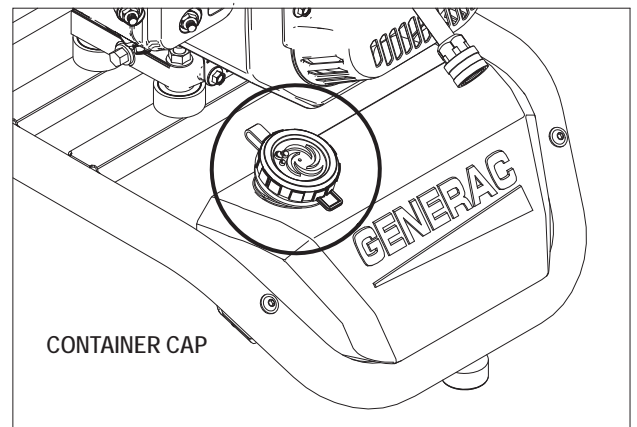
- ⚠ Chemicals can cause bodily injury, and/or property damage.

- NEVER use caustic liquid with power washer.
- Use ONLY power washer safe detergents/soaps. Follow all manufacturer's instructions.

To apply detergent, follow these steps:

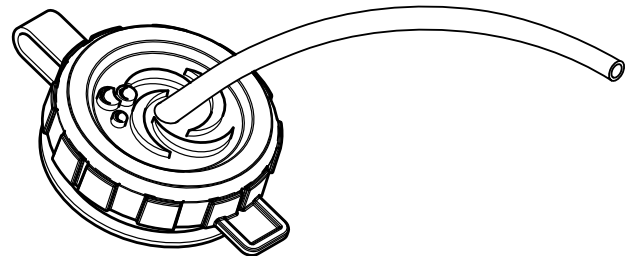
1. Review use of nozzles.
2. Open container cap (Figure 19).
3. Prepare detergent solution as required by job.

Figure 19 – Chemical Tank & Cover



4. Insert filter end of siphoning tube through the hole in cap (Figure 20).
5. Make sure siphoning tube remains fully submerged into detergent.

Figure 20 – Install Siphoning Tube



NOTE:

Make sure the filter remains fully submerged in detergent while applying detergent.

NOTE:

Contact with the hot muffler can damage detergent siphoning tube.

- When inserting the siphon into a detergent solution bottle, route the tube so as to keep it from inadvertently contacting the hot muffler.
6. Make sure black detergent nozzle is installed.

NOTE:

Detergent cannot be applied with the high pressure nozzle (Yellow, White, Green or Red). Only use the Black nozzle with detergent.

7. Confirm set-up instructions have been followed.

NOTE:

You must attach all hoses before you start the engine.

- Starting the engine without all the hoses connected and without the water turned ON will damage the pump.
 - Damage to equipment resulting from failure to follow this instruction will void warranty.
8. Start engine following instructions How to Start Your Power Washer.
 9. Apply detergent to a dry surface, starting at lower portion of area to be washed and work upward using long, even, overlapping strokes.
 10. Allow detergent to "soak in" for 3-5 minutes before washing and rinsing. Reapply as needed to prevent surface from drying. DO NOT allow detergent to dry on surface being cleaned (prevents streaking).

IMPORTANT: You must flush the detergent siphoning system after each use by Following the instructions in the Cleaning Detergent Siphoning Tube section.

POWER WASHER RINSING

1. Remove black detergent nozzle from lance.
2. Select and install the desired high pressure nozzle following the instructions in the How to Use Nozzles section.
3. Point spray gun in safe direction and away from people, animals and plants. Squeeze trigger to flush any remaining chemical from system.
4. Keep spray gun a safe distance from area you plan to spray.

⚠ WARNING!



Kickback from spray gun can cause you to fall.

- Use only on a level surface.
 - Do not use on elevated surface to prevent the risk of a serious fall.
 - Be extremely careful if you must use the power washer from a ladder, scaffolding, or any other similar location.
 - Firmly grasp spray gun with both hands when using high pressure spray to avoid injury when spray gun kicks back.
5. Apply a high pressure spray to a small area and then check surface for damage. If no damage is found, you can assume it is okay to continue rinsing.
 6. Start at top of area to be rinsed, working down with same overlapping strokes as you used for cleaning.

CLEANING DETERGENT SIPHONING TUBE

If you used the detergent siphoning tube, you must flush it with clean water before stopping the engine.

1. Place detergent siphoning tube/filter in a bucket full of clean water.
2. Remove high pressure nozzle from nozzle extension.
3. Select and install black detergent nozzle following instructions How to Use Nozzles.
4. Flush for 1-2 minutes.
5. Shut off engine following instructions How to Stop Power Washer and turn off water supply.
6. ALWAYS point spray gun in a safe direction, squeeze spray gun trigger to release retained high water pressure. Engage trigger lock when not in use.

IMPORTANT: Spray gun traps high water pressure, even when engine is stopped and water is disconnected.

⚠ DANGER!



The high pressure stream of water that this equipment produces can cut through skin and its underlying tissues, leading to serious injury and possible amputation. Spray gun traps high water pressure, even when engine is stopped and water is disconnected, which can cause injury.

- Keep high pressure hose connected to pump and spray gun while system is pressurized.
- ALWAYS point spray gun in safe direction, and squeeze spray gun trigger to release high pressure, every time you stop engine. Engage trigger lock when not in use.

OPERATION

If you have any problems operating your power washer, please call Generac customer service at 1-888-436-3722.

POWER WASHER LOCATION

Clearances and Air Movement

⚠ DANGER!



Running engine gives off carbon monoxide, an odorless, colorless, poisonous gas. Breathing carbon monoxide can cause headache, fatigue, dizziness, vomiting, confusion, seizures, nausea, fainting or death. For more information, reference the CO warnings in the Safety Rules section.

Place power washer outdoors in an area that will not accumulate deadly exhaust gas. NEVER place power washer where exhaust gas could accumulate and enter inside or be drawn into a potentially occupied building. Ensure exhaust gas is kept away from any windows, doors, ventilation intakes, or other openings that can allow exhaust gas to collect in a confined area. Prevailing winds and air currents should be taken into consideration when positioning power washer (Figure 21).

Operation

- Operate power washer ONLY outdoors.
- Keep exhaust gas from entering a confined area through windows, doors, ventilation intakes, or other openings.
- NEVER start or run engine indoors, in a vehicle or in an enclosed area, EVEN IF windows and doors are open.

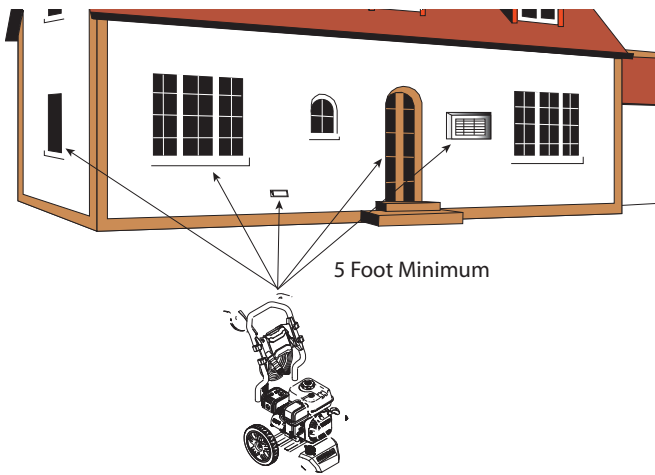
⚠ WARNING!



Exhaust heat/gases can ignite combustibles, structures or damage fuel tank causing a fire.

- Keep at least 5 ft. (152 cm) clearance on all sides of power washer including overhead.

Figure 21 – Building Clearances



CHECKLIST BEFORE STARTING ENGINE

1. Be sure to read and understand the Operator Safety section and Operation section before using power washer.
2. Check that oil is at the proper level in the engine crankcase and that fuel has been added to the fuel tank.
3. Review the unit's assembly and ensure fittings are properly secured and make sure there are no kinks, cuts, or damage to high pressure hose.
4. Provide a proper water supply at an adequate flow, clear screens of debris, and confirm that the system is purged of air.
5. Confirm unit is secure on level ground and surrounding work area is clear.

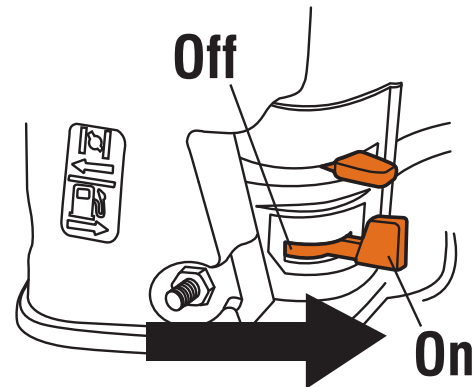
HOW TO START YOUR POWER WASHER

NOTE:

DO NOT run the pump without the water supply connected and turned on. Damage to equipment resulting from failure to follow this instruction will void warranty.

1. Move the fuel valve lever to the ON position (Figure 22).

Figure 22 – Fuel Valve

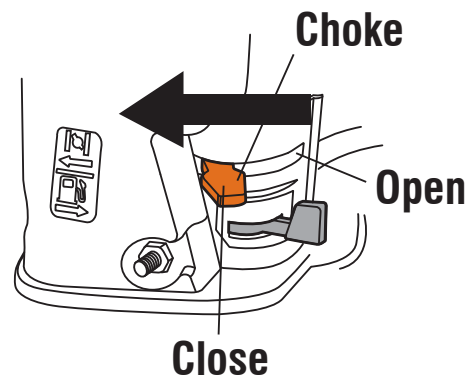


2. Move choke lever to "CLOSE" position (Figure 23).

NOTE:

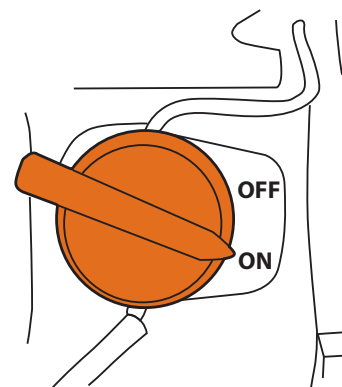
For a warm engine, be sure the choke lever is in the "OPEN" position.

Figure 23 – Choke Lever



3. Turn the engine switch to the "ON" position (Figure 24).

Figure 24 – The ON Position



IMPORTANT: Before starting the power washer, be sure you are wearing adequate safety goggles.

⚠ WARNING!

Risk of eye injury. Spray can splash back or propel objects.

- Always wear safety goggles when using this equipment or in vicinity of equipment in use.
 - Before starting the power washer, be sure you are wearing adequate safety goggles.
 - NEVER substitute safety glasses for safety goggles.
4. Place foot on footpad or otherwise secure unit from movement when pulling recoil.
 5. When starting the engine, grasp starter grip handle (Figure 25) and pull slowly until you feel some resistance. Then pull rapidly to start engine.

Figure 25 – Starting the Engine

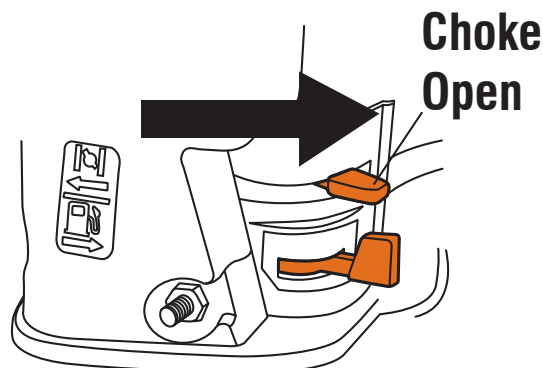


⚠ WARNING!

Starter cord kickback (rapid retraction) can result in bodily injury. Kickback will pull hand and arm toward engine faster than you can let go. Broken bones, fractures, bruises, or sprains could result.

- NEVER pull starter cord without first relieving spray gun pressure.
 - When starting engine, pull cord slowly until resistance is felt and then pull rapidly to avoid kickback.
 - After each starting attempt, where engine fails to run, always point spray gun in safe direction and squeeze spray gun trigger to release high pressure.
 - Firmly grasp spray gun with both hands when using high pressure spray to avoid injury when spray gun kicks back.
6. Return starter grip handle slowly. DO NOT let rope “snap back” against starter.
 7. When engine starts, slowly move choke lever to “OPEN” position as engine warms. If engine falters, move choke lever to “CLOSE” position, then to “OPEN” position (Figure 26).

Figure 26 – Choke Lever



8. After each starting attempt, where engine fails to run, always point gun in safe direction, and squeeze spray gun trigger to release high pressure.
9. If engine fails to start after six pulls, move choke lever to “OPEN” position, and repeat steps 6 through 9.

⚠ DANGER!

The high pressure stream of water that this equipment produces can cut through skin and its underlying tissues, leading to serious injury and possible amputation. Spray gun traps high water pressure, even when engine is stopped and water is disconnected, which can cause injury.

- DO NOT allow CHILDREN to operate power washer or play nearby.
- Keep high pressure hose connected to pump and spray gun while system is pressurized.
- NEVER aim spray gun at people, animals or electrical devices. Serious injury will result.
- DO NOT secure spray gun in open position.
- DO NOT leave spray gun unattended while machine is running.
- NEVER use a spray gun which does not have a trigger lock or trigger guard in place and in working order.
- Always be certain spray gun, nozzles and accessories are correctly attached.

⚠ WARNING!

Contact with muffler area can result in serious burns. Exhaust heat/gases can ignite combustibles, structures or damage fuel tank causing a fire.

- DO NOT touch hot parts and AVOID hot exhaust gases.
- Allow equipment to cool before touching.
- Keep at least 5 feet (152 cm) of clearance on all sides of power washer including overhead.
- It is a violation of California Public Resource Code, Section 4442, to use or operate the engine on any forest-covered, brush-covered, or grass-covered land unless the exhaust system is equipped with a spark arrester, as defined in Section 4442, maintained in effective working order. Other states or federal jurisdictions may have similar laws.
- Replacement parts must be the same and installed in the same position as the original parts.

AUTOMATIC COOL DOWN SYSTEM (THERMAL RELIEF)

If you run the engine on your power washer for 3-5 minutes without pressing the trigger on the spray gun, circulating water in the pump can reach temperatures above 125°F. The system engages to cool the pump by **discharging the warm water onto the ground.**

HOW TO STOP YOUR POWER WASHER

1. Release spray gun trigger.
2. Turn the engine ON/OFF switch to the "OFF" position.
3. ALWAYS point spray gun in a safe direction, and squeeze spray gun trigger to release retained high water pressure. Engage trigger lock when not in use.
4. Turn OFF water supply.

IMPORTANT: Spray gun traps high water pressure, even when engine is stopped and water is disconnected.

⚠ DANGER!



The high pressure stream of water that this equipment produces can cut through skin and its underlying tissues, leading to serious injury and possible amputation. Spray gun traps high water pressure, even when engine is stopped and water is disconnected, which can cause injury.

- Keep high pressure hose connected to pump and spray gun while system is pressurized.
- ALWAYS point spray gun in safe direction, squeeze spray gun trigger to release high pressure, every time you stop engine. Engage trigger lock when not in use.

MAINTENANCE RECOMMENDATIONS

Regular maintenance will improve the performance and extend the life of the power washer. See any qualified dealer for service.

The power washer's warranty does not cover items that have been subjected to operator abuse or negligence. To receive full value from the warranty, the operator must maintain the power washer as instructed in this manual, including proper storage as detailed in Winter Storage and Long Term Storage.

NOTE:

Should you have questions about replacing components on your power washer, please call 1-888-436-3722 for assistance.

Some adjustments will need to be made periodically to properly maintain your power washer.

All service and adjustments should be made at least once each season. Follow the requirements in the Maintenance Schedule chart.

NOTE:

Once a year you should clean or replace the spark plug, clean or replace the air filter, and check the spray gun and nozzle extension assembly for wear. A new spark plug and clean air filter assure proper fuel-air mixture and help your engine run better and last longer.

MAINTENANCE SCHEDULE

Follow the hourly or calendar intervals, whichever occurs first. More frequent service is required when operating in adverse conditions.

First 5 Hours
Change engine oil
Every 8 Hours or Daily
Check/clean water inlet screen*
Check high pressure hose
Check detergent siphoning hose/filter
Check spray gun and assembly for leaks
Clean debris
Check engine oil level
Every 20 Hours or Every Season
Change engine oil**
Every 50 Hours or Every Season
Check/clean air cleaner filter**
Inspect muffler and spark arrester*
Every 100 Hours or Every Season
Service spark plug
* Clean if clogged. Replace if perforated or torn.
** Service more often under dirty or dusty conditions.

PUMP OIL

DO NOT attempt any oil maintenance on this pump. The pump is pre-lubricated and sealed from the factory, requiring no additional maintenance for the life of the pump.

EMISSIONS CONTROL

Maintenance, replacement, or repair of the emissions control devices and systems may be performed by any non-road engine repair establishment or individual. However, to obtain "no charge" emissions control service, the work must be performed by a factory authorized dealer. See the Emissions Warranty.

POWER WASHER MAINTENANCE

Clean Debris

Daily or before use, clean accumulated debris from cleaning system. Keep linkage, spring and controls clean. Keep area around and behind muffler free from any combustible debris. Inspect cooling air slots and openings on the power washer. These openings must be kept clean and unobstructed.

Power washer parts should be kept clean to reduce the risk of overheating and ignition of accumulated debris.

- Use a damp cloth to wipe exterior surfaces clean.

NOTE:

Improper treatment of power washer can damage it and shorten its life.

- DO NOT insert any objects through cooling slots.
- Use a soft bristle brush to loosen caked on dirt, oil, etc.
- Use a vacuum cleaner to pick up loose dirt and debris.

CHECK AND CLEAN INLET SCREEN

Examine the screen on the pump's water inlet. Clean it if the screen is clogged or replace it if screen is damaged.

CHECK HIGH PRESSURE HOSES

The high pressure hoses can develop leaks from wear, kinking, or abuse. Inspect the hoses each time before using them. Check for cuts, leaks, abrasions or bulging of cover, damage or movement of couplings. If any of these conditions exist, replace the hose immediately.

⚠ DANGER!



The high pressure stream of water that this equipment produces can cut through skin and its underlying tissues, leading to serious injury and possible amputation.

- NEVER repair high pressure hose. Replace it.
- Replacement hose rating MUST meet or exceed maximum pressure rating of unit.

CHECK DETERGENT SIPHONING TUBE

Examine the filter on the detergent tube and clean if clogged. The tube should fit tightly on the barbed fitting. Examine the tube for leaks or tears. Replace the filter or tube if either is damaged.

CHECK SPRAY GUN

Examine the hose connection to the spray gun and make sure it is secure. Test the trigger by pressing the trigger, it "springs back" into place when you release it. Replace spray gun immediately if it fails to "spring back".

NOZZLE MAINTENANCE

A pulsing sensation felt while squeezing the spray gun trigger may be caused by excessive pump pressure. The principal cause of excessive pump pressure is a nozzle clogged or restricted with foreign materials, such as dirt, etc. To correct the problem, immediately clean the nozzle following these instructions:

1. Shut off engine and turn off water supply.
2. ALWAYS point spray gun in a safe direction, squeeze spray gun trigger to release retained high water pressure.

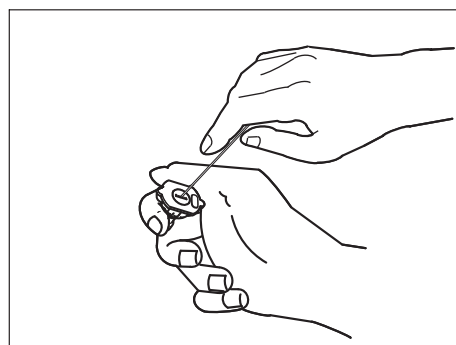
⚠ DANGER!



The high pressure stream of water that this equipment produces can cut through skin and its underlying tissues, leading to serious injury and possible amputation. Spray gun traps high water pressure, even when engine is stopped and water is disconnected, which can cause injury.

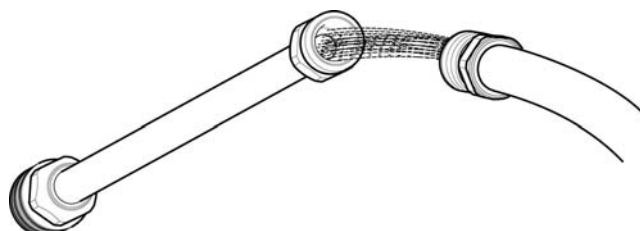
- Keep high pressure hose connected to pump and spray gun while system is pressurized.
 - ALWAYS point spray gun in safe direction, and squeeze spray gun trigger to release high pressure every time you stop engine. Engage trigger lock when not in use.
3. Remove nozzle from end of nozzle extension.
 4. Use a small paper clip to free any foreign material clogging or restricting nozzle (Figure 27).

Figure 27 – Free Foreign Material



5. Remove lance from spray gun.
6. Using a garden hose, remove additional debris by back flushing water through lance (Figure 28). Back flush between 30 to 60 seconds.
7. Reinstall nozzle into lance.
8. Reconnect lance to spray gun.

Figure 28 – Back Flush Lance



CHANGING ENGINE OIL

If you are using your power washer under extremely dirty or dusty conditions, or in extremely hot weather, change the oil more often.

⚠ CAUTION!

⚠ Avoid prolonged or repeated skin contact with used motor oil.

- Used motor oil has been shown to cause skin cancer in certain laboratory animals.
- Thoroughly wash exposed areas with soap and water.

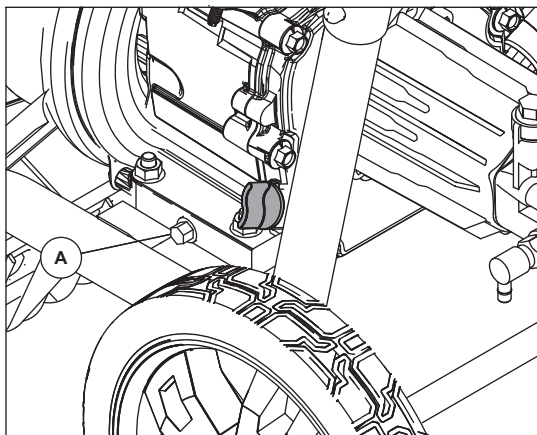
⚠ KEEP OUT OF REACH OF CHILDREN.

- Don't pollute. Conserve resources. Return used oil to collection centers.

Change oil while engine is still warm from running, as follows:

1. Make sure unit is on a level surface.
2. Disconnect the spark plug wire from the spark plug and place the wire where it cannot contact spark plug.
3. Clean area around oil drain plug (A) (Figure 31). The oil drain plug is located at base of engine, opposite carburetor.
4. Remove oil fill cap (Figure 31).
5. Remove oil drain plug and drain oil completely into a suitable container.
6. Reinstall oil drain plug and tighten securely.
7. Slowly pour oil (about 20 oz.) into oil fill opening to the proper level on the dipstick. **DO NOT** overfill.
8. Reinstall oil fill cap. Finger tighten cap securely.
9. Wipe up any spilled oil.
10. Properly dispose of oil in an accordance with all local regulations.

Figure 31 – Oil Drain Plug



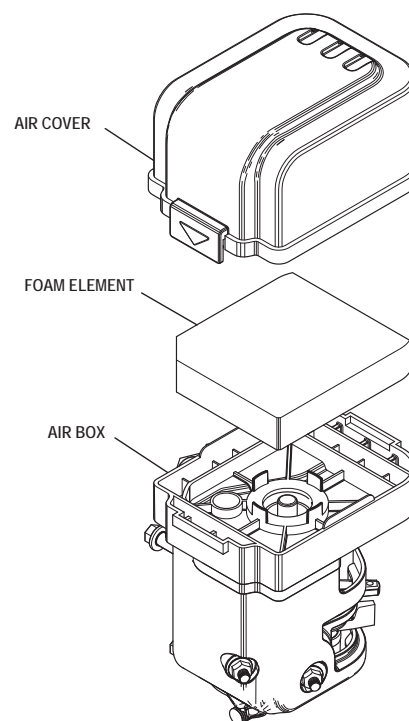
SERVICE AIR CLEANER

Your engine will not run properly and may be damaged if you run it with a dirty air cleaner. Service more often if operating under dirty or dusty conditions.

To service the air cleaner, follow these steps:

1. Pull on air cleaner cover latch and remove cover (Figure 32).
2. Remove filter.
3. To clean filter, gently tap on a flat surface.
4. Reinstall clean or new filter.
5. Install cover by snapping latch closed.

Figure 32 – Service the Air Cleaner



SERVICE SPARK PLUG

Changing the spark plug will help your engine to start easier and run better.

1. Clean area around spark plug.
2. Remove and inspect spark plug (Figure 33).
3. Check electrode gap with wire feeler gauge and reset spark plug gap to recommended gap if necessary (see Specifications).
4. Replace spark plug if electrodes are pitted, burned or porcelain is cracked. Use the recommended replacement plug. See Specifications.
5. Install spark plug and tighten firmly.

Figure 33 – Change the Spark Plug

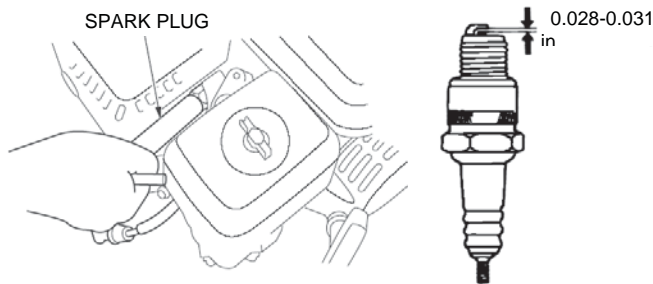
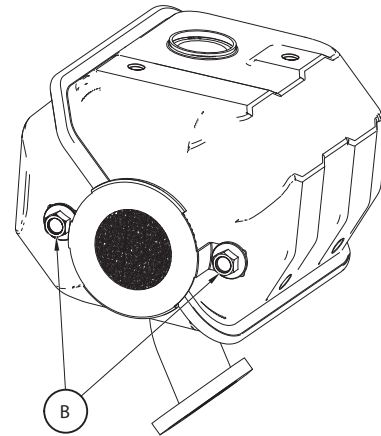


Figure 35 – Remove Spark Arrester



INSPECT MUFFLER AND SPARK ARRESTER

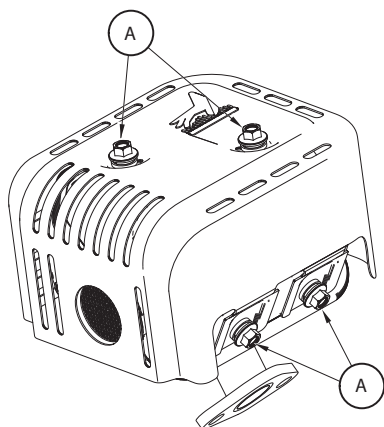
Inspect the muffler for cracks, corrosion, or other damage. Remove the spark arrester, if equipped, and inspect for damage or carbon blockage. If replacement parts are required, make sure to use only original equipment replacement parts.

REMOVE SPARK ARRESTER SCREEN

Tools Required: 8mm Box Wrench

1. Remove heat shield from the muffler by loosening the four (4) Bolts (A) (Figure 34).
2. Remove the spark arrester from the muffler by loosening the two (2) Bolts (B) (Figure 35).
3. Inspect the spark arrester, replace if torn, perforated or otherwise damaged (part number 0K1851). **DO NOT USE A DEFECTIVE SCREEN.**
4. If screen is not damaged, clean it with a commercial solvent and replace.

Figure 34 – Remove Heat Shield



⚠ WARNING!



Contact with muffler area can result in serious burns. Exhaust heat/gases can ignite combustibles, structures or damage fuel tank causing a fire.

- DO NOT touch hot parts and AVOID hot exhaust gases.
 - Allow equipment to cool before touching.
 - Keep at least 5 feet (152 cm) of clearance on all sides of power washer including overhead.
 - It is a violation of California Public Resource Code, Section 4442, to use or operate the engine on any forest-covered, brush-covered, or grass-covered land unless the exhaust system is equipped with a spark arrester, as defined in Section 4442, maintained in effective working order. Other states or federal jurisdictions may have similar laws.
- Contact the original equipment manufacturer, retailer, or dealer to obtain a spark arrester designed for the exhaust system installed on this engine.
- Replacement parts must be the same and installed in the same position as the original parts.

AFTER EACH USE

Water should not remain in the unit for long periods of time. Sediments or minerals can deposit on pump parts and freeze pump action. Follow these procedures after every use:

1. Shut off engine, turn off water supply, point gun in a safe direction, and squeeze trigger to relieve trapped pressure, and let engine cool.

⚠ DANGER!



The high pressure stream of water that this equipment produces can cut through skin and its underlying tissues, leading to serious injury and possible amputation. Spray gun traps high water pressure, even when engine is stopped and water is disconnected, which can cause injury.

- Keep high pressure hose connected to pump and spray gun while system is pressurized.

- ALWAYS point spray gun in safe direction and squeeze spray gun trigger, to release high pressure, every time you stop engine. Engage trigger lock when not in use.
- 2. Disconnect hoses from spray gun and high pressure outlet on pump. Drain water from hoses, spray gun, and lance. Use a rag to wipe off the hose.
- 3. Empty pump of all pumped liquids. Check that the engine ON/OFF switch and fuel valve are in the OFF position. Then pull the recoil handle about six times. This should remove most liquid in pump.
- 4. Store unit in a clean, dry area.
- 5. If storing for more than 30 days, see the Long Term Storage section.

⚠ WARNING!



Fuel and its vapors are extremely flammable and explosive. Fire or explosion can cause severe burns or death.

WHEN STORING FUEL OR EQUIPMENT WITH FUEL IN TANK

- Store away from furnaces, stoves, water heaters, clothes dryers, or other appliances that have pilot light or other ignition source because they can ignite fuel vapors.

LONG TERM STORAGE

If you do not plan to use the power washer for more than 30 days, you must prepare the engine and pump for long term storage.

PROTECT FUEL SYSTEM

Fuel can become stale when stored over 30 days. Stale fuel causes acid and gum deposits to form in the fuel system or on essential carburetor parts. To keep fuel fresh, use a fuel stabilizer, available as a liquid additive or a drip concentrate cartridge.

There is no need to drain gasoline from the engine if a fuel stabilizer is added according to instructions. Run the engine for 2 minutes to circulate the stabilizer throughout the fuel system. The engine and fuel can then be stored up to 24 months.

If gasoline in the engine has not been treated with a fuel stabilizer, it must be drained into an approved container. Run the engine until it stops from lack of fuel. The use of a fuel stabilizer in the storage container is recommended to maintain freshness.

PROTECT ENGINE

1. Change engine oil.
2. Remove spark plug.
3. Pour a tablespoon (5-10cc) of clean engine oil into the cylinder.
4. Pull the starter rope several times to distribute the oil in the cylinder.
5. Reinstall the spark plug.
6. Pull the starter rope slowly until resistance is felt. This will close the valves so moisture cannot enter the engine cylinder. Return the starter rope gently.

CHANGE OIL

While engine is still warm, drain oil from crankcase. Refill with recommended grade. See Changing Engine Oil in Engine Maintenance.

⚠ CAUTION!



Hot oil may cause burns. Allow engine to cool before draining oil. Avoid prolonged or repeated skin exposure with used oil. Thoroughly wash exposed areas with soap.

PROTECTING THE PUMP DURING WINTER STORAGE

To protect the pump from damage caused by mineral deposits or freezing, use PumpSaver or RV-antifreeze to treat the pump. This prevents freeze damage and lubricates pistons and seals.

- Failure to do so will permanently damage your pump and render your unit inoperable.
- Freeze damage is not covered under warranty.

To protect the unit from freezing temperatures:

1. Follow steps 1-3 in the previous section After Each Use.
2. Use pump saver to treat pump. This minimizes freeze damage and lubricates pistons and seals.
3. If pump saver is not available, connect a 3-foot section of garden hose to water inlet adapter. Pour RV-antifreeze (antifreeze without alcohol) into hose. Pull recoil handle twice. Disconnect 3-foot hose.
4. Store unit in a clean, dry area.

OTHER STORAGE INSTRUCTIONS

1. DO NOT store fuel from one season to another unless it has been treated as described in Protect Fuel System.
2. Replace fuel container if it starts to rust. Rust and/or dirt in fuel can cause problems if it's used with this unit.
3. Cover unit with a suitable protective cover that does not retain moisture.

⚠ WARNING!



Storage covers can be flammable.

- DO NOT place a storage cover over a hot power washer.
 - Let equipment cool for a sufficient time before placing the cover on the equipment.
4. Store unit in a clean and dry area.

TRANSPORTING/TIPPING OF THE UNIT

Do not operate, store or transport the unit at an angle greater than 15 degrees.

Troubleshooting

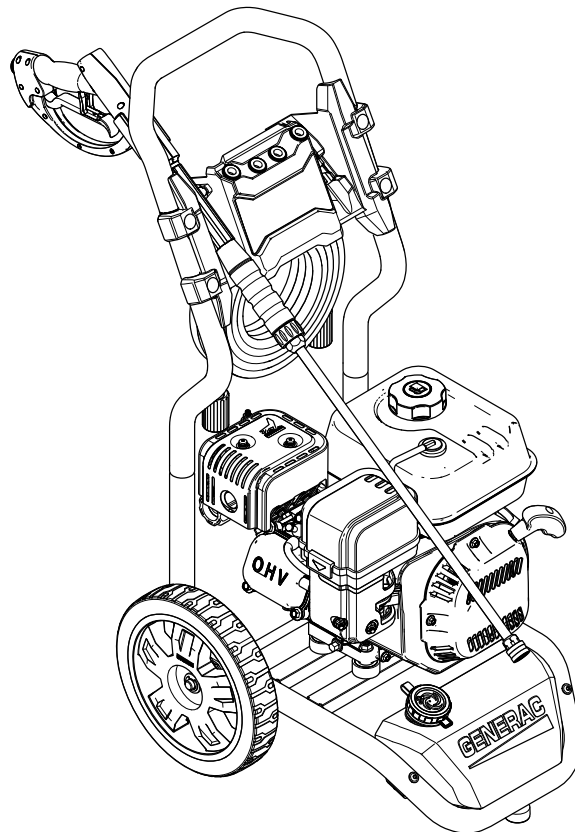
TROUBLESHOOTING GUIDE

PROBLEM	CAUSE	CORRECTION
Pump has following problems: failure to produce pressure, erratic pressure, chattering, loss of pressure, low water volume.	<ol style="list-style-type: none"> 1. Low pressure nozzle installed. 2. Water inlet is blocked. 3. Inadequate water supply. 4. Inlet hose is kinked or leaking. 5. Clogged inlet hose screen. 6. Water supply is over 100°F. 7. High pressure hose is blocked or leaks. 8. Spray gun leaks. 9. Nozzle is obstructed. 10. Pump is faulty. 	<ol style="list-style-type: none"> 1. Replace with high pressure nozzle. 2. Clear inlet. 3. Provide adequate water flow. 4. Straighten inlet hose, patch leak. 5. Check and clean inlet hose screen. 6. Provide cooler water supply. 7. Clear blocks in outlet hose or replace hose. 8. Replace spray gun. 9. Clean nozzle. 10. Contact local service facility.
Detergent fails to mix with spray.	<ol style="list-style-type: none"> 1. Detergent siphoning tube is not submerged. 2. Detergent siphoning tube/filter is clogged or cracked. 3. High pressure nozzle installed. 	<ol style="list-style-type: none"> 1. Insert detergent siphoning tube into detergent. 2. Clean or replace filter/detergent siphoning tube. 3. Replace with low pressure nozzle.
Engine runs well at no-load but "bogs" when load is added.	<ol style="list-style-type: none"> 1. Engine speed is too slow. 	<ol style="list-style-type: none"> 1. Contact local service facility.
Engine will not start; or starts and runs rough.	<ol style="list-style-type: none"> 1. Dirty air cleaner. 2. Out of fuel. 3. Stale fuel. 4. Spark plug wire not connected to spark plug. 5. Bad spark plug. 6. Water in fuel. 7. Excessively rich fuel mixture. 	<ol style="list-style-type: none"> 1. Clean or replace air cleaner. 2. Fill fuel tank. 3. Drain fuel tank; fill with fresh fuel. 4. Connect wire to spark plug. 5. Replace spark plug. 6. Drain fuel tank; fill with fresh fuel. 7. Contact local service facility.
Engine shuts down during operation.	<ol style="list-style-type: none"> 1. Out of fuel. 	<ol style="list-style-type: none"> 1. Fill fuel tank.
Engine lacks power.	<ol style="list-style-type: none"> 1. Dirty air filter. 	<ol style="list-style-type: none"> 1. Replace air filter.



Manual del operador

Hidrolavadora



Índice

Introducción	1	Mantenimiento	14
Dónde encontrarnos	1	Recomendaciones de mantenimiento	14
Reglas de seguridad	1	Programa de mantenimiento.....	14
Símbolos de seguridad y sus significados	1	Aceite de la bomba	14
Información general	4	Control de emisiones	14
Conozca su hidrolavadora	4	Mantenimiento de la hidrolavadora	15
Especificaciones del producto	5	Comprobación y limpieza de la rejilla de entrada	15
Información sobre emisiones	5	Comprobación de las mangueras de alta presión.....	15
Funcionamiento a gran altitud.....	5	Comprobación del tubo para sifón de detergente.....	15
Desembalaje	5	Comprobación de la pistola de pulverización	15
Configuración	6	Mantenimiento de la boquilla.....	15
Armado.....	6	Mantenimiento del motor.....	16
Cómo añadir aceite de motor	6	Recomendaciones sobre el aceite de motor	16
Cómo añadir combustible	7	Comprobación del nivel de aceite.....	16
Conexión de la manguera y suministro de agua a la bomba.....	7	Cómo añadir aceite de motor.....	16
Cómo usar las boquillas.....	9	Cambio de aceite de motor	17
Limpieza y aplicación de detergente.....	10	Servicio del filtro de aire.....	17
Enjuague de la hidrolavadora	11	Servicio de la bujía.....	17
Tubo para sifón de detergente de limpieza.....	11	Inspección del silenciador y supresor de chispas	18
Funcionamiento	11	Retire la rejilla del supresor de chispas	18
Funcionamiento.....	11	Después de cada uso.....	18
Ubicación de la hidrolavadora	11	Almacenamiento a largo plazo.....	19
Lista de comprobación antes de dar arranque al motor	12	Protección del sistema de combustible	19
Cómo poner en marcha su hidrolavadora	12	Protección del motor	19
Sistema de enfriamiento automático (Alivio térmico)	14	Cambio de aceite.....	19
Cómo parar su hidrolavadora	14	Protección de la bomba durante el almacenamiento en el invierno.....	19
		Otras instrucciones de almacenamiento	19
		Transporte e inclinación de la unidad	19
		Resolución de problemas	20
		Guía de resolución de problemas	20
		Notas	21

¡ADVERTENCIA!

Proposición 65 de California

El escape del motor y algunos de sus componentes son conocidos por el estado de California como causantes de cáncer, defectos congénitos y otros daños reproductivos.

¡ADVERTENCIA!

Proposición 65 de California

Este producto contiene o emite sustancias químicas que son conocidas por el estado de California como causantes de cáncer, defectos congénitos y otros daños reproductivos.

INTRODUCCIÓN

Muchas gracias por haber comprado esta hidrolavadora fabricada por Generac Power Systems, Inc. Este modelo es una hidrolavadora accionada por motor, de alto rendimiento, enfrida por aire, que funciona a 2800 psi. La unidad presenta ruedas de diseño personalizado, bomba de cámara axial con pistones de acero inoxidable, sistema de enfriamiento automático, boquillas de conexión rápida, manguera de alta presión, manguera de sifón para detergente y un tanque para sustancias químicas.

El sentido común y el cumplimiento estricto de las instrucciones especiales son esenciales para la prevención de accidentes. El operador debe leer completamente este manual y comprender completamente todas las instrucciones y advertencias antes de usar el equipo. Si una parte del manual no se comprende, comuníquese con el concesionario autorizado más cercano para conocer los procedimientos de arranque, funcionamiento y mantenimiento. El propietario es responsable del uso correcto y seguro del equipo.

La hidrolavadora puede funcionar de manera segura, eficiente y fiable solo si se ubica, opera y mantiene correctamente. Antes de operar, dar servicio o almacenar:

- Estudie minuciosamente todas las advertencias indicadas en este manual y en el producto.
- Familiarícese con este manual y la unidad antes del uso.
- Consulte la sección Armado del manual para las instrucciones sobre los procedimientos de armado finales. Siga las instrucciones completamente.

El fabricante no puede prever todas las circunstancias posibles que podrían involucrar un peligro. Las advertencias de este manual y los rótulos y etiquetas adhesivas fijados en la unidad, por lo tanto, no son exhaustivos. Si usa un procedimiento, método de trabajo o técnica de funcionamiento que el fabricante no recomienda específicamente, asegúrese de que sea seguro para otras personas. Asegúrese también de que el procedimiento, método de trabajo o técnica de funcionamiento utilizado no vuelvan insegura a la hidrolavadora.

LA INFORMACIÓN QUE FIGURA EN EL PRESENTE SE BASÓ EN MÁQUINAS QUE ESTABAN EN PRODUCCIÓN AL MOMENTO DE LA PUBLICACIÓN. GENERAC SE RESERVA EL DERECHO DE MODIFICAR ESTE MANUAL EN CUALQUIER MOMENTO.

Guarde estas instrucciones para referencia en el futuro. Si facilita este equipo a alguien, SIEMPRE facilite al individuo también estas instrucciones Y el Manual del propietario.

DÓNDE ENCONTRARNOS

Puede ponerse en contacto con Servicio al cliente de Generac por teléfono al 1-888-436-3722 o en Internet en www.generac.com. Registre la información importante de la unidad en la tabla siguiente para referencias y/o consultas sobre servicio en el futuro.

Número de modelo	
Número de serie	
Fecha de compra	

REGLAS DE SEGURIDAD

En toda esta publicación, en los rótulos y en las etiquetas adhesivas fijadas en la hidrolavadora, los bloques de PELIGRO, ADVERTENCIA, PRECAUCIÓN y NOTA se usan para alertar al personal sobre instrucciones especiales acerca de una operación en particular que puede ser peligrosa si se efectúa de manera incorrecta o imprudente. Obsérvelos cuidadosamente. Sus definiciones son las siguientes:

⚠ ¡PELIGRO!

Indica una situación o acción peligrosa que, si no se evita, ocasionará la muerte o lesiones graves.

⚠ ¡ADVERTENCIA!

Indica una situación o acción peligrosa que, si no se evita, podrá ocasionar la muerte o lesiones graves.

⚠ ¡PRECAUCIÓN!

Indica una situación o acción peligrosa que, si no se evita, podría ocasionar lesiones leves o moderadas.

NOTA:

Las notas contienen información adicional importante para un procedimiento y se encuentran dentro del texto del cuerpo de este manual.

Estas advertencias de seguridad no pueden eliminar los peligros que indican. El sentido común y el cumplimiento estricto de las instrucciones especiales mientras se desarrolla la acción o el servicio son esenciales para la prevención de accidentes.

SÍMBOLOS DE SEGURIDAD Y SUS SIGNIFICADOS



Protectores de oídos



Emanaciones tóxicas



Contragolpe de máquina



Choque eléctrico



Superficie resbaladiza



Caída



Inyección de fluido



Incendio



Explosión



Manual del operador



Piezas en movimiento



Objetos despedidos



Superficie caliente

Reglas de seguridad

PELIGRO: El monóxido de carbono producido durante el uso PUEDE MATAR en minutos. NUNCA la use en interiores, en un vehículo o en otras zonas techadas, AÚN SI las puertas y ventanas están abiertas. Úsela únicamente en EXTERIORES, y alejada de ventanas, puertas y ventilaciones.



Algunas sustancias químicas o detergentes pueden ser dañinos si se inhalan o ingieren, causando graves náuseas, desvanecimiento o envenenamiento.

- Haga funcionar la hidrolavadora SOLO en exteriores.
- Un motor funcionando despiden monóxido de carbono.
- El monóxido de carbono es un gas inodoro, incoloro y venenoso. Respirar monóxido de carbono puede causar dolor de cabeza, fatiga, mareo, vómitos, confusión, calambres, náuseas, desvanecimiento o la muerte. Si comienza a experimentar cualquiera de estos síntomas, trasládese INMEDIATAMENTE al aire fresco. Busque atención médica.
- Impida que los gases de escape ingresen en una zona confinada a través de ventanas, puertas, entradas de ventilación y otras aberturas. Advierta a todos los ocupantes en el interior acerca de los síntomas de monóxido de carbono de manera que sepan lo de trasladarse al aire fresco si comienzan a sentirse enfermos.
- Se recomienda el uso de un detector de monóxido de carbono dentro de cualquier local ocupado entre la hidrolavadora y el ocupante.
- NUNCA arranque o haga funcionar el motor en interiores, en un vehículo, o en una zona cerrada, AÚN SI las ventanas y puertas están abiertas.
- Use un respirador o máscara siempre que haya una posibilidad de gases o vapores dañinos puedan ser inhalados.
- Lea todas las instrucciones sobre respirador o máscara, de manera de tener la certeza de que el respirador o la máscara proporcionan la protección necesaria contra la inhalación de gases o vapores dañinos. Si comienza a experimentar cualquiera de los síntomas de CO listados precedentemente, trasládese INMEDIATAMENTE al aire fresco.

PELIGRO: NUNCA apunte la pistola de pulverización a personas, animales o dispositivos eléctricos. Se producirán lesiones graves o la muerte. SIEMPRE apunte la pistola de pulverización hacia una dirección segura y apriete el gatillo de la pistola de pulverización para liberar alta presión cada vez que pare el motor. Coloque el seguro de gatillo cuando la pistola de pulverización no esté en uso.



- El chorro de agua a alta presión que produce este equipo puede cortar a través de la piel y sus tejidos subyacentes, lo que conduce a lesiones graves, posible amputación o la muerte. La pistola de pulverización atrapa agua a alta presión, AUNQUE el motor esté parado y el agua desconectada, lo que puede causar lesiones.
- NO permita que los NIÑOS accionen la hidrolavadora o jueguen en las proximidades. Esto NO es un juguete.
- NUNCA repare la manguera de alta presión. Sustitúyala.
- NUNCA repare conexiones con fugas con un sellador de cualquier tipo. Sustituya la junta tórica o junta.
- NUNCA conecte la manguera de alta presión a la extensión de la boquilla.
- Mantenga la manguera de alta presión conectada a la bomba y pistola de pulverización mientras el sistema está presurizado.
- NUNCA fije la pistola de pulverización en posición abierta.
- NUNCA deje la pistola de pulverización sin atención mientras la máquina está funcionando.
- NUNCA use una pistola de pulverización que no tenga un seguro de gatillo u una protección de gatillo en su lugar y en buenas condiciones de trabajo.
- SIEMPRE cerciórese de que la pistola de pulverización, boquillas y accesorios estén fijados correctamente.



ADVERTENCIA: Riesgo de electrocución.



El contacto con una fuente de alimentación puede causar choque eléctrico o quemaduras.

- NUNCA pulverice cerca de una fuente de alimentación.



ADVERTENCIA: El contacto con la zona del silenciador puede causar quemaduras graves. El calor y los gases de escape pueden encender combustibles y estructuras o dañar el tanque de combustible, causando un incendio.



- NO toque piezas calientes y EVITE los gases de escape calientes.
- Permita que el equipo se enfríe antes de tocarlo.
- Mantenga por lo menos cinco (5) pies (152 cm) de separación en todos los costados de la hidrolavadora, incluso hacia arriba.



- Es una violación al Public Resources Code (Código de recursos públicos de California), Sección 4442, usar u operar el motor en tierras cubiertas de bosque, maleza o pasto excepto si el sistema de escape tiene un supresor de chispas, como se define en la Sección 4442, mantenido en condiciones de trabajo eficaces. Otros estados o jurisdicciones federales pueden tener leyes similares.

Tome contacto con el fabricante, minorista o concesionario de equipo original para obtener un supresor de chispas diseñado para el sistema de escape instalado en este motor.

- Las piezas de repuesto deben ser las mismas y estar instaladas en la misma posición que las piezas originales.



ADVERTENCIA: El combustible y sus vapores son extremadamente inflamables y explosivos. Los incendios y explosiones pueden causar quemaduras graves o la muerte.



AL AÑADIR O VACIAR COMBUSTIBLE

- Coloque la hidrolavadora en OFF y déjela enfriar dos (2) minutos como mínimo antes de retirar la tapa de combustible. Afloje la tapa lentamente para aliviar presión en el tanque.



- Llene el tanque de combustible en exteriores.
- NO llene el tanque en exceso. Deje espacio para la expansión del combustible.
- Si se derrama combustible, espere hasta que se evapore antes de dar arranque al motor.

- Mantenga el combustible alejado de llamas, luces piloto, calor y otras fuentes de encendido.
- NO encienda un cigarrillo ni fume.

AL ARRANCAR EL EQUIPO

- Asegúrese de que la bujía, silenciador, tapa de combustible y filtro de aire estén en su lugar.
- NO haga girar el motor con la bujía retirada.

AL OPERAR EL EQUIPO

- NO incline el motor o el equipo con un ángulo que cause el derrame de combustible.
- NO pulverice líquidos inflamables.

AL TRANSPORTAR O REPARAR EL EQUIPO

- Transporte o repare con el tanque de combustible VACÍO o con la válvula de cierre de combustible en OFF.
- Desconecte el cable de la bujía.

AL ALMACENAR COMBUSTIBLE O EQUIPOS CON COMBUSTIBLE EN EL TANQUE

- Almacene alejado de hornos, estufas, calentadores de agua, secadores de ropa u otros artefactos que tengan luces piloto u otras fuentes de encendido porque pueden encender los vapores de combustible.

ADVERTENCIA: El uso de la hidrolavadora puede crear charcos y superficies resbaladizas. El retroceso de la pistola de pulverización puede hacerlo caer.



- Úsela solo en una superficie a nivel.
- La zona de limpieza debe tener pendientes y vaciados adecuados para reducir la posibilidad de caídas debido a superficies resbaladizas.



- No la use en superficies elevadas donde la posibilidad de retroceso puede causar una caída grave.
- Tome firmemente la pistola de pulverización con ambas manos al usar pulverización de alta presión para evitar lesiones cuando la pistola de pulverización retroceda.

ADVERTENCIA: El arrancador y otras piezas giratorias pueden atrapar las manos, cabello, ropa o accesorios.



- NUNCA haga funcionar la hidrolavadora sin carcasa o cubiertas protectoras.
- NO use ropa suelta, alhajas o algo que pueda ser atrapado en el arrancador u otras piezas giratorias.

- Recoja el cabello suelto y retire las alhajas.

ADVERTENCIA: El retroceso de la cuerda del arrancador (retracción rápida) puede producir lesiones. El retroceso tirará de la mano y el brazo hacia el motor más rápido de lo que puede soltarla. Puede dar por resultado huesos rotos, fracturas, magulladuras o esguinces.



- NUNCA tire de la cuerda del arrancador sin aliviar primero la presión de la pistola de pulverización.
- Para aliviar la presión atrapada, apunte la pistola hacia una dirección segura y libere la presión tirando/accionando el gatillo de la pistola de pulverización.

- Al arrancar el motor, tire lentamente de la cuerda hasta que sienta resistencia y luego tire rápidamente para evitar el retroceso.
- Después de cada intento de arranque en el que el motor falló en arrancar, siempre apunte la pistola hacia una dirección segura y apriete el gatillo de la pistola de pulverización para liberar alta presión.
- Tome firmemente la pistola de pulverización con ambas manos al usar pulverización de alta presión para evitar lesiones cuando la pistola de pulverización retroceda.

ADVERTENCIA: Producir chispas en forma no intencional puede dar por resultado incendio o choque eléctrico.



AL AJUSTAR O HACER REPARACIONES EN SU HIDROLAVADORA.

- Desconecte el cable de la bujía y coloque el cable donde no pueda hacer contacto con la bujía.



AL PROBAR LA CHISPA DEL MOTOR

- Use un probador de bujías aprobado.
- NO compruebe la chispa con la bujía retirada.

ADVERTENCIA: Riesgo de lesión ocular. La pulverización puede salpicar hacia atrás o propulsar objetos.



- Siempre use gafas de seguridad cuando use este equipo o en la vecindad de un equipo en uso.
- Antes de poner en marcha la hidrolavadora, asegúrese de estar usando gafas de seguridad adecuadas.

- NUNCA sustituya gafas de seguridad con lentes de seguridad.

ADVERTENCIA: Recomendamos usar protectores de oídos.



NOTA:

La pulverización de alta presión puede dañar los artículos frágiles, incluso el cristal.

- NO apunte la pistola de pulverización a cristales cuando use la boquilla roja (0°) MÁX.
- NUNCA apunte la pistola de pulverización a personas, animales, dispositivos eléctricos o plantas.

NOTA:

El tratamiento incorrecto de la hidrolavadora puede dañarla y acortar su vida útil.

- Si tiene preguntas acerca del uso previsto, pregunte a su concesionario o comuníquese con un centro de servicio calificado.
- NUNCA haga funcionar esta máquina con piezas rotas o faltantes o sin la carcasa o cubiertas protectoras.
- NO pase por alto ningún dispositivo de seguridad de esta máquina.
- NO haga funcionar la hidrolavadora por arriba de la presión nominal.
- NO modifique la hidrolavadora de ninguna manera.
- Antes de dar arranque a la hidrolavadora en clima frío, compruebe todas las piezas del equipo para asegurar que no se haya formado hielo allí.
- NUNCA mueva la máquina tirando de las mangueras. Use el asa provista con la unidad.
- Compruebe el sistema de combustible en busca de fugas o señales de deterioro como mangueras con rozaduras o esponjosas, abrazaderas flojas o faltantes, o tanque o tapa dañados. Corrija todos los defectos antes de hacer funcionar a la hidrolavadora.
- Este equipo está diseñado para ser usado SOLO con piezas autorizadas por Generac. Si el equipo se usa con piezas que NO cumplan las especificaciones mínimas, el usuario asume todos los riesgos y responsabilidades.

ESPECIFICACIONES DEL PRODUCTO

Presión - (psi/bar).....	2800/193 máx.
Caudal - (gal./min.- l/mín.).....	2.5/9.5 máx.
Temperatura de suministro de agua - (°F/C°).....	100/38 máx.
Largo de la manguera - (pies/metros).....	25/7.6.1
Tanque(s) para sustancias químicas - Cantidad por unidad.....	1
Tanque para sustancias químicas - Capacidad (gal.) N/D.....	0.50/1.9
Boquillas - Cantidad por unidad.....	4
Largo de la lanza (in/cm).....	20/51
Pistola.....	Estándar
Cilindrada del motor - (in3/cm3).....	11.9/196
Tipo de bujía.....	F7TC o equivalente
Luz de bujía - (in/mm).....	0.028-0.031/0.70-0.80
Capacidad de combustible - (Qt/l).....	3.7/3.5
Capacidad de aceite - (Oz/l).....	20/0.6
Sistema de parada por bajo nivel de aceite.....	No
Interruptor On/Off.....	Sí

INFORMACIÓN SOBRE EMISIONES

La Agencia de Protección Ambiental de los EE. UU. (EPA) (y la Junta de Recursos del Aire de California [CARB] para los equipos certificados conforme a las normas de California) requieren que este motor cumpla las normas de emisiones de escape y evaporación. Ubique la etiqueta adhesiva sobre cumplimiento de las normas referidas a emisiones colocada sobre el motor para determinar qué normas satisface el generador, y para determinar qué garantía de emisiones corresponde. El motor cuenta con la certificación de satisfacer las normas de emisiones correspondientes a las gasolinas. Es importante seguir las especificaciones de mantenimiento indicadas en la sección Mantenimiento para asegurar que el producto cumpla las normas de emisiones correspondientes durante toda su vida útil. Este motor usa ajustes de carburación empobrecida y otros sistemas para reducir las emisiones. La manipulación indebida o la alteración del sistema de control de emisiones puede aumentar las emisiones y constituye una infracción de la ley federal o la ley de California. Las acciones que constituyen manipulación indebida incluyen, entre otras:

- Retiro o alteración de cualquier parte de los sistemas de admisión, combustible o escape.
- Alteración o anulación del varillaje del regulador o el mecanismo de ajuste de velocidad a fin de que el motor funcione fuera de sus parámetros de diseño

Si observa alguno de los siguientes síntomas, pida al concesionario de servicio que inspeccione y repare su motor:

- Dificultad para arrancar o calada después del arranque
- Ralentí irregular
- Fallo de encendido o contraexplosiones bajo carga
- Postcombustión (contraexplosiones)
- Humo de escape negro o alto consumo de combustible

FUNCIONAMIENTO A GRAN ALTITUD

El sistema de combustible de este motor puede verse afectado por el funcionamiento en altitudes más elevadas. Para garantizar el funcionamiento correcto, puede instalarse un kit para altitud cuando sea necesario. Vea la tabla a continuación para determinar cuándo se requiere un kit para altitud. El uso de este motor sin el kit para altitud apropiado puede aumentar las emisiones del motor y disminuir la economía de combustible y el rendimiento. Los kits pueden obtenerse en cualquier concesionario, y deben ser instalados por una persona cualificada.

Altitud*	Número de kit	psi
0 - 5000 pies (0 - 1524 m)	No se requiere	2800
5000 - 7000 pies (1524 - 2134 m)	OK2015	2800
*Elevación sobre el nivel del mar.		

NOTA:

Si se ha instalado el kit para altitud y el motor se utilizará a una altitud en la que no se requiere el kit, el motor se debe volver a ajustar con la configuración de fábrica. El uso de un motor en altitudes más bajas con el kit instalado puede causar el sobrecalentamiento del motor, ocasionar daños graves al motor, y causar un menor rendimiento y mayores emisiones.

DESEMBALAJE

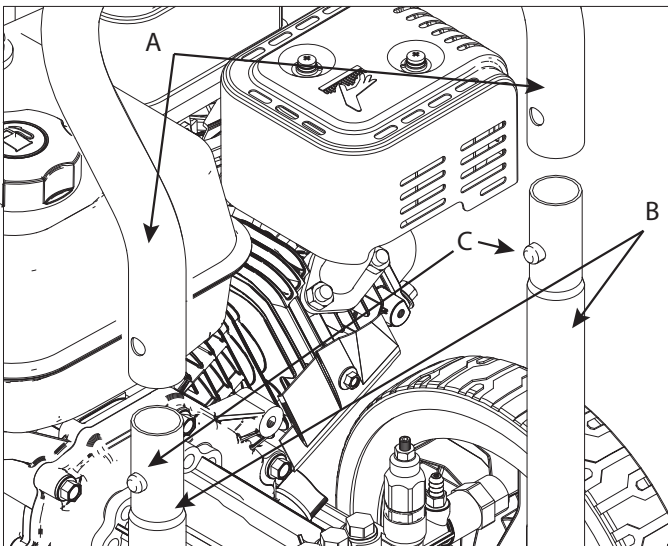
1. Retire la bolsa de piezas, accesorios e insertos incluidos con la hidrolavadora.
2. Abra la caja completamente cortando cada esquina de arriba abajo.
3. Asegúrese de tener todos los ítems incluidos antes de armar.
 - Unidad principal
 - Conjunto de asa
 - Manguera de alta presión
 - Manguera y filtro del sifón
 - Pistola de pulverización
 - Lanza con accesorio de conexión rápida
 - Botella de aceite
 - Gancho de alambre con forma para manguera
 - Bolsa de piezas (que incluye lo siguiente):
 - Manual del operador
 - Tarjeta de registro del cliente
 - Bolsa conteniendo boquillas con códigos de color
 - Embudo
4. Si falta alguno de los ítems de su caja, llame a Servicio al cliente de Generac al 1-888-436-3722. Al llamar para obtener ayuda, tenga disponible el número de modelo y el número de serie de la etiqueta.
5. Llene y envíe la tarjeta de registro. Escriba el número de modelo, número de serie y fecha de compra en la tabla ubicada en la sección "Dónde encontrarnos".

ARMADO

Lea el Manual del operador completo antes de intentar el armado. Si tiene algún problema con el armado de su hidrolavadora, llame a Servicio al cliente de Generac al 1-888-436-3722. Al llamar para obtener ayuda, tenga disponible el número de modelo y el número de serie de la etiqueta.

1. Coloque el conjunto de asa (A) en los soportes del carro (B). Empuje hacia adentro los botones de traba (C) y permita que el asa se deslice a su posición. El botón trabará el asa en su lugar (Figura 2).

Figura 2 – Fijación del asa

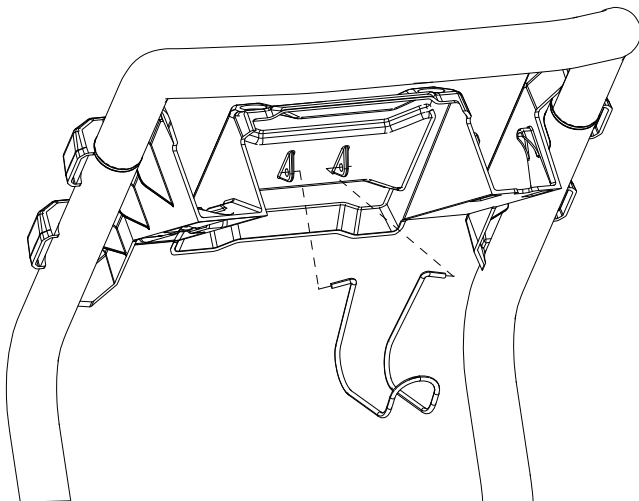


NOTA:

Puede ser necesario mover los soportes de lado a lado a fin de alinear el asa de manera que se deslice sobre los soportes del asa.

2. Instale le gancho para manguera (Figura 3).

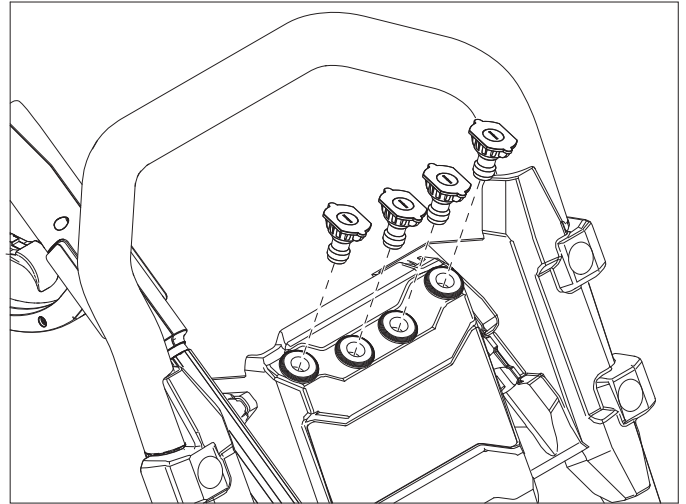
Figura 3 – Instalación de gancho para manguera



3. Inserte las boquillas con código de color en los espacios provistos en el asa (Figura 4).

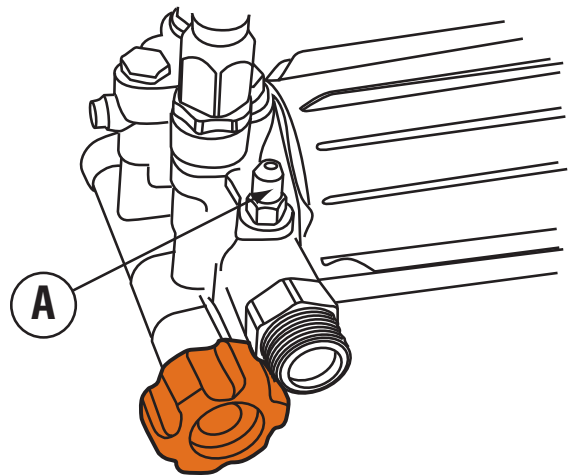
4. Coloque la pistola de pulverización y la extensión de la boquilla en el soporte de la pistola de pulverización como se muestra (Figura 4).
5. Arrolle la manguera de alta presión y cuélguela en el gancho.

Figura 4 – Inserción de las boquillas



6. Fije el tubo de sifón en la ubicación A (Figura 5).

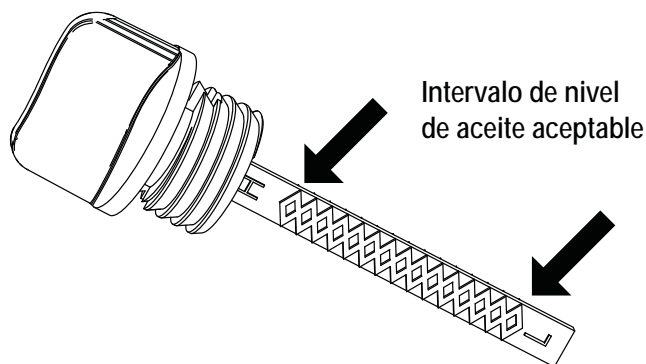
Figura 5 – Ubicación del tubo de sifón



CÓMO AÑADIR ACEITE DE MOTOR

1. Asegúrese de que la hidrolavadora esté en una superficie nivelada.
2. Limpie la zona alrededor del llenado aceite.
3. Retire la tapa de llenado de aceite y limpie la varilla de medición (Figura 6).
4. el embudo vierta lentamente aceite en la abertura de llenado. Vea la sección Mantenimiento para las recomendaciones sobre el tipo de aceite.
5. Compruebe periódicamente hasta que el nivel de aceite esté entre "L" y "H" en la varilla de medición. Inserte la varilla de medición en el cuello de llenado pero no la enrosque.
6. Verifique que el aceite esté con el nivel apropiado en la varilla de medición.
7. Vuelva a colocar y apriete la tapa de llenado de aceite.

Figura 6 – Varilla de medición



NOTA:

Cualquier intento de girar o arrancar el motor antes de que haya sido correctamente preparado con el aceite recomendado puede ocasionar un fallo del motor.

CÓMO AÑADIR COMBUSTIBLE

El combustible debe satisfacer estos requisitos:

- Gasolina limpia, fresca y sin plomo.
- Un mínimo de 87 octanos/87 AKI (91 RON).
- Es aceptable la gasolina con hasta 10% de alcohol (gasohol).

NOTA:

Evite dañar la hidrolavadora. No seguir las recomendaciones sobre combustible del Manual del operador anula la garantía.

- NO use gasolina no aprobada como la E85.
- NO mezcle aceite en la gasolina.
- NO modifique el motor para funcionar con combustibles de alternativa.

Para proteger el sistema de combustible de la formación de gel, mezcle un estabilizador de combustible cuando añada combustible. Vea Almacenamiento. No todos los combustibles son iguales. Si experimenta problemas de arranque o rendimiento después de usar combustible, cambie a un proveedor de combustible diferente o cambie de marca.

⚠ ¡ADVERTENCIA!



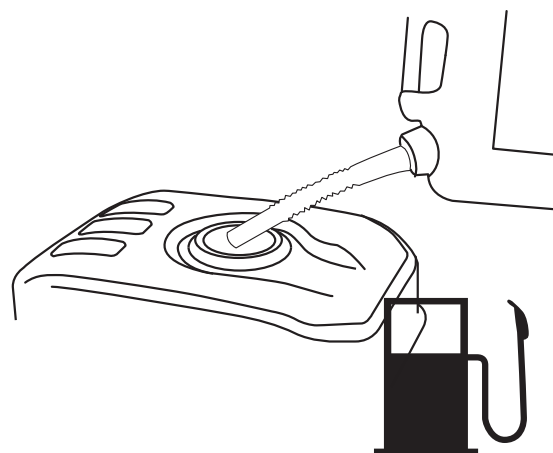
El combustible y sus vapores son extremadamente inflamables y explosivos. Los incendios y explosiones pueden causar quemaduras graves o la muerte.

AL AÑADIR COMBUSTIBLE

- Coloque la hidrolavadora en OFF y déjela enfriar dos (2) minutos como mínimo antes de retirar la tapa de combustible. Afloje la tapa lentamente para aliviar presión en el tanque.
 - Llene el tanque de combustible en exteriores.
 - NO llene el tanque en exceso. Deje espacio para la expansión del combustible.
 - Si se derrama combustible, espere hasta que se evapore antes de dar arranque al motor.
 - Mantenga el combustible alejado de llamas, luces piloto, calor y otras fuentes de encendido.
 - NO encienda un cigarrillo ni fume.
1. Limpie la zona alrededor de la tapa de llenado de combustible, retire la tapa.

2. Añada lentamente combustible normal sin plomo al tanque de combustible. Sea cuidadoso de no llenar en exceso. Llene hasta el fondo de la rejilla del filtro, esto permitirá la expansión de combustible (Figura 7).
3. Instale la tapa y permita evaporar todo el combustible derramado antes de dar arranque al motor.

Figura 7 – Carga de combustible



CONEXIÓN DE LA MANGUERA Y SUMINISTRO DE AGUA A LA BOMBA

NOTA:

NO haga funcionar la bomba sin el suministro de agua conectado y abierto. El daño al equipo por no seguir esta instrucción anulará la garantía.

NOTA:

Retire y deseche la tapa de transporte de la entrada de agua a la bomba antes de fijar la manguera.

1. Haga correr agua a través de su manguera de jardín durante 30 segundos para limpiar y expulsar los residuos.
2. Antes de conectar la manguera de jardín a la entrada de agua inspeccione la rejilla de entrada (A) (Figura 8). Limpie la rejilla de entrada si contiene residuos o ha sido sustituida por estar dañada. NO haga correr agua si la rejilla de entrada está dañada.

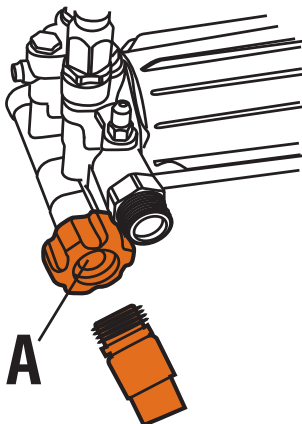
IMPORTANTE: NO haga sifón con agua estacionada para el suministro de agua. Use SOLO agua fría (a menos de 100 °F). El suministro de agua debe ser adecuado para responder a un caudal de 3.8 gal./min. y no menos de 30 psi.

NOTA:

Usar una válvula de una vía (válvula igualadora de presión o de retención) en la entrada de la bomba causará daño a la bomba o al conector de entrada.

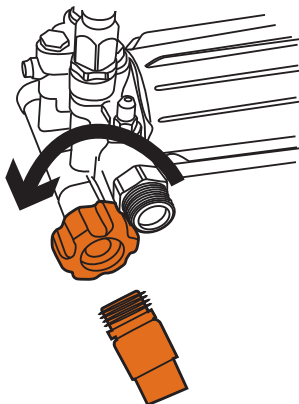
- DEBE haber por lo menos diez pies de manguera de jardín sin restricciones entre la entrada de la hidrolavadora y cualquier dispositivo, como una válvula igualadora de presión o de retención.
- El daño al equipo por no seguir esta instrucción anulará la garantía.

Figura 8 – Inspección de la rejilla de entrada



3. Conecte la manguera de jardín (que no exceda los 50 pies [15 m] de largo) en la entrada de agua (Figura 9). Apriete con la mano.

Figura 9 – Conexión de la manguera de jardín



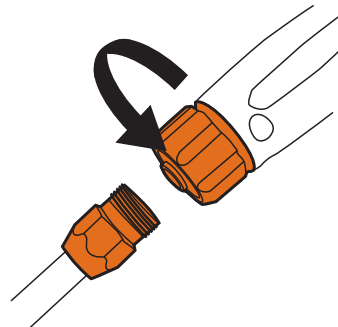
⚠ ¡ADVERTENCIA!

Riesgo de lesión ocular. La pulverización puede salpicar hacia atrás o propulsar objetos.

- Siempre use gafas de seguridad cuando use este equipo o en la vecindad de un equipo en uso.
- Antes de poner en marcha la hidrolavadora, asegúrese de estar usando gafas de seguridad adecuadas.
- NUNCA sustituya gafas de seguridad con lentes de seguridad.

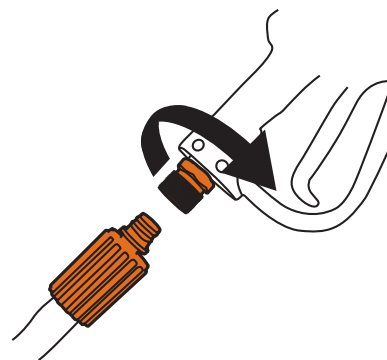
4. Conecte la lanza a la pistola de pulverización (Figura 10). Apriete con la mano.

Figura 10 – Fijación de la lanza



5. Fije el extremo de la manguera de alta presión a la base de la pistola de pulverización (Figura 11). Apriete con la mano.

Figura 11 – Conexión de la manguera a la pistola de pulverización



⚠ ¡PELIGRO!

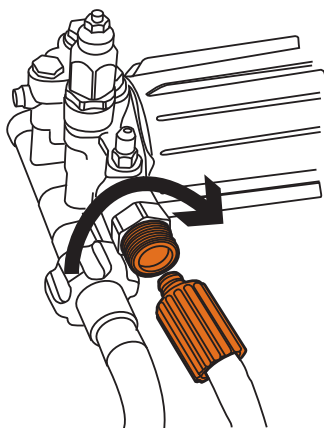
El chorro de agua a alta presión que produce este equipo puede cortar a través de la piel y sus tejidos subyacentes, lo que conduce a lesiones graves y posible amputación.

- NUNCA conecte la manguera de alta presión a la lanza.
 - Mantenga la manguera de alta presión conectada a la bomba y pistola de pulverización mientras el sistema está presurizado.
 - Siempre cerciórese de que la pistola de pulverización, boquillas y accesorios estén fijados correctamente.
6. Conecte la manguera de alta presión a la bomba (desenrosque la manguera antes de conectarla a la bomba o pistola de pulverización) (Figura 12). Apriete con la mano.

⚠ ¡PRECAUCIÓN!

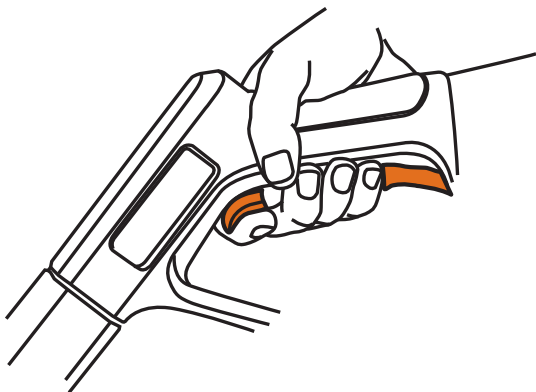
La manguera se puede dañar si entra en contacto con un motor o silenciador caliente.

Figura 12 – Conexión de la manguera de alta presión a la bomba



7. Conecte el agua y apriete el gatillo para purgar de aire el sistema de la bomba (Figura 13).

Figura 13 – Apriete del gatillo

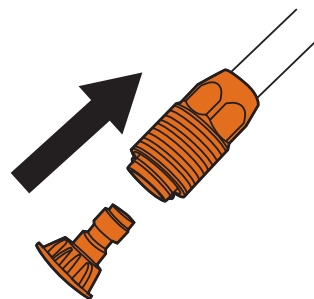


BOQUILLA	PSI	GAL./MIN.
Chorro	2800	2.4
Lavado	2600	2.5

Siga estas instrucciones para cambiar las boquillas:

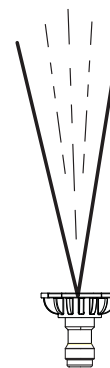
1. Tire hacia atrás el collar del conector rápido (Figura 14) y extraiga la boquilla actual. Almacene la boquilla en el soporte provisto en la caja de accesorios.

Figura 14 – Boquillas



2. Seleccione la boquilla deseada.
3. Tire hacia atrás del collar, inserte la boquilla nueva y suelte el collar. Tire de la boquilla para asegurarse de que esté en su lugar con seguridad.
 - Para lavado delicado (presión más baja y caudal más alto), para limpieza suave de automóviles/camionetas, botes, vehículos recreativos, muebles de patio, equipos de jardinería, etc., seleccione la boquilla blanca (Figura 15).

Figura 15 – Boquilla de presión para lavado (blanca)



CÓMO USAR LAS BOQUILLAS

La conexión rápida de la boquilla de la lanza le permite cambiar entre diferentes boquillas. Las boquillas se pueden cambiar mientras la hidrolavadora está funcionando una vez que el gatillo de la pistola de pulverización está bloqueado en la posición de seguridad. Las boquillas varían la presión y el patrón de pulverización.

- Para la limpieza más efectiva, mantenga la boquilla entre 8 y 24 in (20 a 61 cm) alejada de la superficie a limpiar.
- Si acerca mucho su boquilla, especialmente si usa una boquilla de alta presión, puede dañar la superficie limpiada.

⚠ ¡PELIGRO!

El chorro de agua a alta presión que produce este equipo puede cortar a través de la piel y sus tejidos subyacentes, lo que conduce a lesiones graves y posible amputación.

- NUNCA intercambie boquillas sin el seguro de gatillo enganchado en la pistola de pulverización.
- NO retuerza las boquillas mientras pulveriza.

Configuración

- Para enjuague general (presión y caudal medios), ideal para la mayor parte de la limpieza de propósitos múltiples como los revestimientos de casas, patios de ladrillo, plataformas de madera, aceras y veredas, pisos de cocheras, etc., seleccione la boquilla verde (Figura 16).

Figura 16 – Boquilla de presión para limpieza (verde)



- Para lavado máximo (presión más alta y caudal más bajo), para superficies resistentes o difíciles de alcanzar como las de segundo piso, remoción de pintura, manchas de aceite, remoción de óxido, y otras sustancias resistentes (alquitrán, goma, grasa, cera, etc.), seleccione la boquilla roja (Figura 17).

⚠ ¡PRECAUCIÓN!

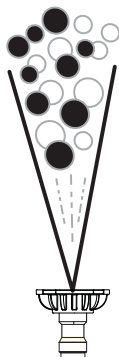
- ⚠ **Esta punta (Boquilla roja) puede dañar la superficie de trabajo si está muy cerca o se mantiene en una posición un tiempo prolongado.**

Figura 17 – Boquilla de presión de chorro fuerte (Roja)



- Cuando aplique detergente use solo la boquilla negra (Figura 18). Solo use detergentes/jabones seguros para la hidrolavadora para ayudar a disgregar suciedad o mugre resistente sobre diferentes superficies.

Figura 18 – Boquilla para detergente (Negra)



LIMPIEZA Y APLICACIÓN DE DETERGENTE

⚠ ¡PRECAUCIÓN!

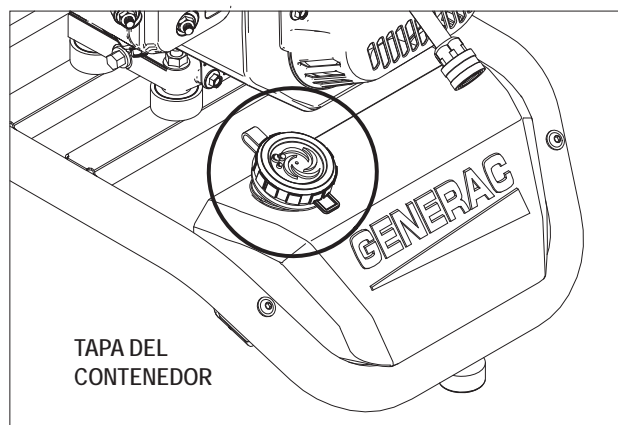
- ⚠ **Las sustancias químicas pueden causar lesiones corporales y/o daños a la propiedad.**

- NUNCA use líquidos cáusticos con la hidrolavadora.
- Use SOLO detergentes/jabones seguros para la hidrolavadora. Siga todas las instrucciones del fabricante.

Para aplicar detergente, siga estos pasos:

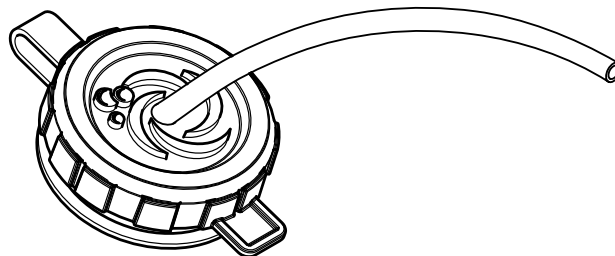
1. Revisión del uso de boquillas.
2. Abra la tapa del recipiente (Figura 19).
3. Prepare la solución de detergente como sea necesario para el trabajo.

Figura 19 – Tanque para sustancias químicas y cubierta



4. Inserte el filtro en el extremo del tubo de sifón a través del agujero en la tapa (Figura 20).
5. Asegúrese de que el tubo de sifón permanezca completamente sumergido en detergente.

Figura 20 – Instalación del tubo de sifón



NOTA:

Asegúrese de que el filtro permanezca completamente sumergido en detergente mientras aplica detergente.

NOTA:

El contacto con el silenciador caliente puede dañar el tubo de sifón para detergente.

- Al insertar el sifón en una botella de solución de detergente, tienda el tubo de manera de evitar que inadvertidamente haga contacto con el silenciador caliente.
6. Asegúrese de que esté instalada la boquilla negra para detergente.

NOTA:

El detergente no se puede aplicar con una boquilla de alta presión (amarilla, blanca, verde o roja). Use solo la boquilla negra con el detergente.

7. Confirme haber seguido las instrucciones de configuración.

NOTA:

Debe fijar todas las mangueras antes de dar arranque al motor.

- Dar arranque al motor sin todas las mangueras conectadas y sin agua conectada dañará la bomba.
 - El daño al equipo por no seguir esta instrucción anulará la garantía.
8. De arranque al motor siguiendo las instrucciones Cómo poner en marcha su hidrolavadora.
9. Aplique detergente a una superficie seca, comenzando en la porción inferior de la zona a ser lavada y trabaje hacia arriba usando pasadas largas, uniformes y superpuestas.
10. Permita que el detergente "empape" durante 3-5 minutos antes de lavar y enjuagar. Vuelva a aplicar como sea necesario para evitar que la superficie se seque. NO permita que el detergente se seque sobre la superficie a ser limpiada (evita las vetas).

IMPORTANTE: Debe lavar el sistema de sifón para detergente después de cada uso siguiendo las instrucciones de la sección Tubo para sifón de detergente de limpieza.

ENJUAGUE DE LA HIDROLAVADORA

1. Retire la boquilla negra para detergente de la lanza.
2. Seleccione e instale la boquilla de alta presión deseada siguiendo las instrucciones de la sección Cómo usar las boquillas.
3. Apunte la pistola hacia una dirección segura y alejada de personas, animales y plantas. Apriete el gatillo para expulsar por lavado cualquier sustancia química remanente hacia afuera del sistema.
4. Mantenga la pistola de pulverización a una distancia segura de la zona que planifica pulverizar.

⚠ ¡ADVERTENCIA!



El retroceso de la pistola de pulverización puede hacerlo caer.

- Úsela solo en una superficie a nivel.
 - No la use en una superficie elevada para evitar el riesgo de caída grave.
- Sea extremadamente cuidadoso si debe usar la hidrolavadora desde una escalera, andamio o cualquier otra ubicación similar.
 - Tome firmemente la pistola de pulverización con ambas manos al usar pulverización de alta presión para evitar lesiones cuando la pistola de pulverización retroceda.
5. Aplique pulverización de alta presión a una superficie pequeña y luego compruebe la superficie en busca de daños. Si no se encuentra ningún daño, puede suponer que es correcto y continúe enjuagando.
6. Comience en la parte superior de la zona a ser enjuagada, trabajando hacia abajo con la misma superposición de carreras que la que usó para limpiar.

TUBO PARA SIFÓN DE DETERGENTE DE LIMPIEZA

Si usó el tubo de sifón para detergente, debe lavarlo con agua limpia antes de parar el motor.

1. Coloque el tubo/filtro de sifón para detergente en un cubo lleno con agua limpia.
2. Retire la boquilla de alta presión de la extensión de la boquilla.
3. Seleccione e instale la boquilla para detergente negra siguiendo las instrucciones Cómo usar las boquillas.
4. Lave durante 1-2 minutos.
5. Apague el motor siguiendo las instrucciones Cómo parar la hidrolavadora y cierre el suministro de agua.
6. SIEMPRE apunte la pistola de pulverización hacia una dirección segura, apriete el gatillo de la pistola de pulverización para liberar el agua retenida a alta presión. Coloque el seguro de gatillo cuando la pistola de pulverización no esté en uso.

IMPORTANTE: La pistola de pulverización atrapa agua a alta presión, aun que el motor esté parado y el agua desconectada.

⚠ ¡PELIGRO!



El chorro de agua a alta presión que produce este equipo puede cortar a través de la piel y sus tejidos subyacentes, lo que conduce a lesiones graves y posible amputación. La pistola de pulverización atrapa agua a alta presión, aun que el motor esté parado y el agua desconectada, lo que puede causar lesiones.

- Mantenga la manguera de alta presión conectada a la bomba y pistola de pulverización mientras el sistema está presurizado.
- SIEMPRE apunte la pistola de pulverización hacia una dirección segura y apriete el gatillo de la pistola de pulverización para liberar alta presión cada vez que pare el motor. Coloque el seguro de gatillo cuando la pistola de pulverización no esté en uso.

FUNCIONAMIENTO

Si tiene algún problema operando su hidrolavadora, llame a Servicio al cliente de Generac al 1-888-436-3722.

UBICACIÓN DE LA HIDROLAVADORA

Separaciones y movimiento de aire

⚠ ¡PELIGRO!



El motor funcionando despidiendo monóxido de carbono, un gas inodoro, incoloro y venenoso. Respirar monóxido de carbono puede causar dolor de cabeza, fatiga, mareo, vómitos, confusión, calambres, náuseas, desvanecimiento o la muerte. Para más información, consulte las advertencias sobre CO en la sección Reglas de seguridad.

Coloque la hidrolavadora en exteriores en una zona que no acumule gases de escape mortales. NUNCA coloque la hidrolavadora donde los gases de escape se puedan acumular y entrar a interiores, o ser aspirados a un edificio potencialmente ocupado. Asegúrese de que los gases de escape se mantengan alejados de toda ventana, puerta, entradas de ventilación u otras aberturas que puedan permitir que los gases de escape se acumulen en una zona confinada. Deben tomarse en consideración los vientos y corrientes de aire prevalecientes al colocar en posición la hidrolavadora (Figura 21).

Funcionamiento

- Haga funcionar la hidrolavadora SOLO en exteriores.
- Impida que los gases de escape ingresen en una zona confinada a través de ventanas, puertas, entradas de ventilación y otras aberturas.
- NUNCA arranque o haga funcionar el motor en interiores, en un vehículo, o en una zona cerrada, AÚN SI las ventanas y puertas están abiertas.

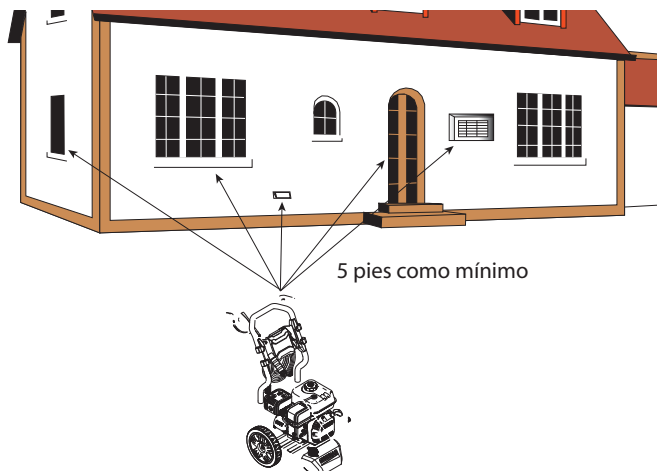
⚠ ¡ADVERTENCIA!



El calor y los gases de escape pueden encender combustibles y estructuras o dañar el tanque de combustible, causando un incendio.

- Mantenga por lo menos 5 pies (152 cm) de separación en todos los costados de la hidrolavadora, incluso hacia arriba.

Figura 21 – Separaciones de edificios



LISTA DE COMPROBACIÓN ANTES DE DAR ARRANQUE AL MOTOR

1. Asegúrese de leer y comprender la sección Seguridad del operador y la sección Funcionamiento antes de usar la hidrolavadora.
2. Compruebe que el aceite esté con el nivel adecuado en el cárter de motor y que se haya añadido combustible al tanque de combustible.
3. Revise el conjunto de la unidad y asegúrese de que los accesorios estén fijados correctamente. Asegúrese de que no haya dobleces, cortes o daños en la manguera de alta presión.
4. Proporcione un suministro de agua apropiado, libere suciedad de las rejillas y confirme que el aire se ha purgado del sistema.
5. Confirme que la unidad esté fija sobre terreno nivelado y que la zona de trabajo circundante esté libre.

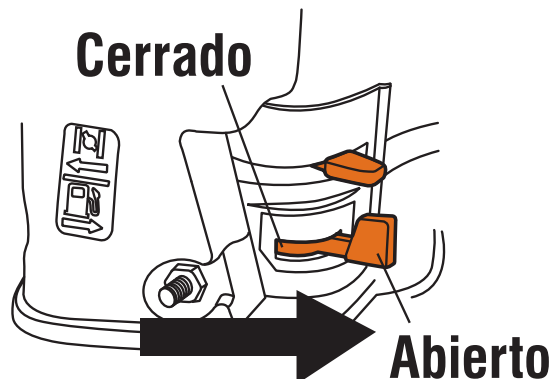
CÓMO PONER EN MARCHA SU HIDROLAVADORA

NOTA:

NO haga funcionar la bomba sin el suministro de agua conectado y abierto. El daño al equipo por no seguir esta instrucción anulará la garantía.

1. Mueva la palanca de la válvula de combustible a la posición ON (Figura 22).

Figura 22 – Válvula de combustible

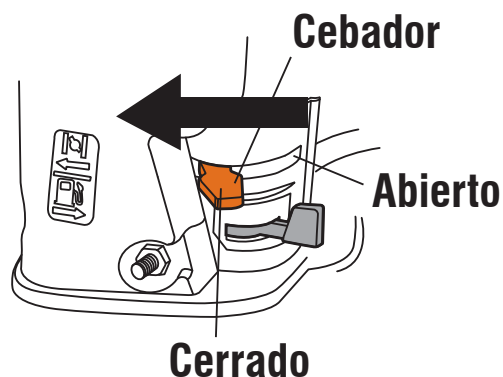


2. Mueva la palanca del cebador a la posición "CLOSE" (cerrado) (Figura 23).

NOTA:

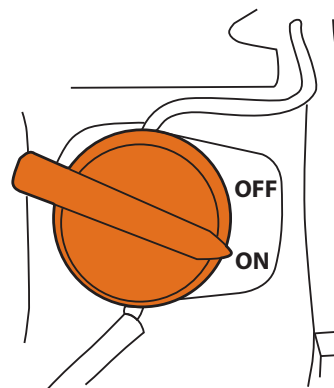
Para un motor caliente, asegúrese de que la palanca del cebador esté en la posición "OPEN" (abierto).

Figura 23 – Palanca del cebador



3. Ponga el interruptor de motor en la posición "ON" (Figura 24).

Figura 24 – La posición ON



IMPORTANTE: Antes de poner en marcha la hidrolavadora, asegúrese de estar usando gafas de seguridad adecuadas.

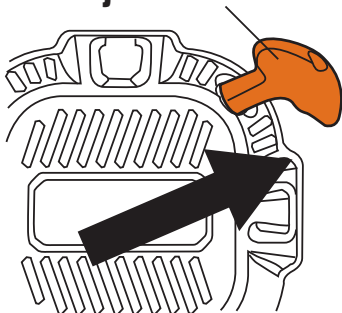
⚠ ¡ADVERTENCIA!

 **Riesgo de lesión ocular. La pulverización puede salpicar hacia atrás o propulsar objetos.**


- Siempre use gafas de seguridad cuando use este equipo o en la vecindad de un equipo en uso.
 - Antes de poner en marcha la hidrolavadora, asegúrese de estar usando gafas de seguridad adecuadas.
 - NUNCA sustituya gafas de seguridad con lentes de seguridad.
4. Coloque un pie en la almohadilla para pie o fije de otra manera la unidad contra el movimiento al tirar de la cuerda de arranque.
 5. Para arrancar el motor, tome la manija del arrancador (Figura 25) y tire lentamente hasta que sienta alguna resistencia. Luego tire rápidamente para dar arranque al motor.

Figura 25 – Arranque del motor

Manija del arrancador

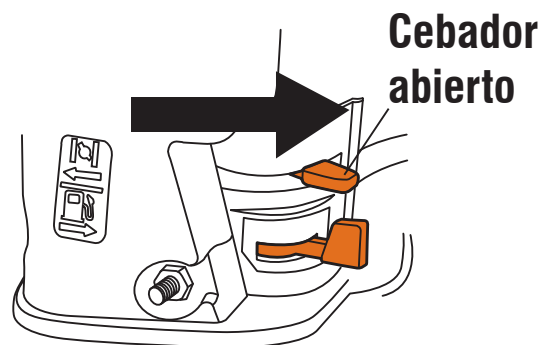


⚠ ¡ADVERTENCIA!

 **El retroceso de la cuerda del arrancador (retracción rápida) puede producir lesiones. El retroceso tirará de la mano y el brazo hacia el motor más rápido de lo que puede soltarla. Puede dar por resultado huesos rotos, fracturas, magulladuras o esguinces.**


- NUNCA tire de la cuerda del arrancador sin aliviar primero la presión de la pistola de pulverización.
 - Al arrancar el motor, tire lentamente de la cuerda hasta que sienta resistencia y luego tire rápidamente para evitar el retroceso.
 - Después de cada intento de arranque en el que el motor falló en arrancar, siempre apunte la pistola hacia una dirección segura y apriete el gatillo de la pistola de pulverización para liberar alta presión.
 - Tome firmemente la pistola de pulverización con ambas manos al usar pulverización de alta presión para evitar lesiones cuando la pistola de pulverización retroceda.
6. Devuelva lentamente la manija del arrancador. NO deje que la cuerda golpee de regreso contra el soporte.
 7. Cuando arranque el motor, empuje lentamente la perilla del cebador a la posición de "OPEN" (abierto) a medida que el motor se calienta. Si el motor falla intermitentemente, mueva la palanca del cebador a la posición "CLOSE" (cerrado) y luego a la de "OPEN" (abierto) (Figura 26).

Figura 26 – Palanca del cebador




8. Después de cada intento de arranque en el que el motor falló en arrancar, siempre apunte la pistola hacia una dirección segura y apriete el gatillo de la pistola de pulverización para liberar alta presión.
9. Si el motor falla en el arranque después de seis tirones, empuje la perilla del cebador hacia la posición "OPEN" y repita los pasos 6 a 9.

⚠ ¡PELIGRO!

 **El chorro de agua a alta presión que produce este equipo puede cortar a través de la piel y sus tejidos subyacentes, lo que conduce a lesiones graves y posible amputación. La pistola de pulverización atrapa agua a alta presión, aunque el motor esté parado y el agua desconectada, lo que puede causar lesiones.**

- NO permita que los NIÑOS accionen la hidrolavadora o jueguen en las proximidades.
- Mantenga la manguera de alta presión conectada a la bomba y pistola de pulverización mientras el sistema está presurizado.
- NUNCA apunte la pistola de pulverización a personas, animales o dispositivos eléctricos. Producirá lesiones graves.
- NO fije la pistola de pulverización en posición abierta.
- NO deje la pistola de pulverización sin atención mientras la máquina está funcionando.
- NUNCA use una pistola de pulverización que no tenga un seguro de gatillo u una protección de gatillo en su lugar y en buenas condiciones de trabajo.
- Siempre cerciórese de que la pistola de pulverización, boquillas y accesorios estén fijados correctamente.

⚠ ¡ADVERTENCIA!

 **El contacto con la zona del silenciador puede causar quemaduras graves. El calor y los gases de escape pueden encender combustibles y estructuras o dañar el tanque de combustible, causando un incendio.**

- NO toque piezas calientes y EVITE los gases de escape calientes.
- Permita que el equipo se enfríe antes de tocarlo.
- Mantenga por lo menos 5 pies (152 cm) de separación en todos los costados de la hidrolavadora, incluso hacia arriba.
- Es una violación al Public Resources Code (Código de recursos públicos de California), Sección 4442, usar u operar el motor en tierras cubiertas de bosque, maleza o pasto excepto si el sistema de escape tiene un supresor de chispas, como se define en la Sección 4442, mantenido en condiciones de trabajo eficaces. Otros estados o jurisdicciones federales pueden tener leyes similares.
- Las piezas de repuesto deben ser las mismas y estar instaladas en la misma posición que las piezas originales.

SISTEMA DE ENFRIAMIENTO AUTOMÁTICO (ALIVIO TÉRMICO)

Si hace funcionar el motor de su hidrolavadora durante 3-5 minutos sin presionar el gatillo de la pistola de pulverización, el agua que circula en la bomba puede llegar a temperaturas superiores a 125 °F. El sistema se acopla para enfriar la bomba **descargando el agua caliente al suelo**.

CÓMO PARAR SU HIDROLAVADORA

1. Suelte el gatillo de la pistola de pulverización.
2. Ponga el interruptor de motor ON/OFF en la posición "OFF".
3. SIEMPRE apunte la pistola de pulverización hacia una dirección segura y apriete el gatillo de la pistola de pulverización para liberar el agua retenida a alta presión. Coloque el seguro de gatillo cuando la pistola de pulverización no esté en uso.
4. Cierre el suministro de agua.

IMPORTANTE: La pistola de pulverización atrapa agua a alta presión, aunque el motor esté parado y el agua desconectada.

¡PELIGRO!



El chorro de agua a alta presión que produce este equipo puede cortar a través de la piel y sus tejidos subyacentes, lo que conduce a lesiones graves y posible amputación. La pistola de pulverización atrapa agua a alta presión, aunque el motor esté parado y el agua desconectada, lo que puede causar lesiones.

- Mantenga la manguera de alta presión conectada a la bomba y pistola de pulverización mientras el sistema está presurizado.
- SIEMPRE apunte la pistola de pulverización hacia una dirección segura y apriete el gatillo de la pistola de pulverización para liberar alta presión cada vez que pare el motor. Coloque el seguro de gatillo cuando la pistola de pulverización no esté en uso.

RECOMENDACIONES DE MANTENIMIENTO

El mantenimiento regular mejorará el rendimiento y extenderá la vida útil de la hidrolavadora. Vea a cualquier concesionario cualificado para servicio.

La garantía de la hidrolavadora no cubre elementos que hayan sido sometidos a abuso o negligencia del operador. Para recibir el valor completo de la garantía, el operador debe mantener la hidrolavadora como se instruye en este manual, incluso el almacenamiento apropiado como se detalla en Almacenamiento en el invierno y Almacenamiento de largo plazo.

NOTA:

Si tiene preguntas acerca de componentes de repuesto de su hidrolavadora, llame al 1-888-436-3722 para obtener ayuda.

Se deben hacer algunos ajustes periódicamente para mantener la hidrolavadora de manera apropiada.

Todos los servicios y ajustes deben ser hechos por lo menos una vez por estación. Siga los requisitos indicados en la tabla Programa de mantenimiento.

NOTA:

Una vez por año debe limpiar o sustituir la bujía, limpiar o sustituir el filtro de aire y comprobar el conjunto de pistola de pulverización y extensión de la bomba química en busca de desgaste. Una bujía nueva y un filtro de aire limpio aseguran una mezcla de aire-combustible apropiada y ayudan a que su motor funcione mejor y dure más.

PROGRAMA DE MANTENIMIENTO

Siga los intervalos de horas de funcionamiento o de calendario, el que ocurra primero. Se requiere el servicio más frecuente cuando funciona en condiciones adversas.

Primeras 5 horas
Cambio de aceite de motor
Cada 8 horas o diariamente
Comprobación/limpieza de la rejilla de entrada de agua*
Comprobación de la manguera de alta presión
Comprobación de la manguera/filtro de sifón para detergente.
Comprobación de la pistola de pulverización y el conjunto en busca de fugas.
Limpieza de residuos
Comprobación del nivel de aceite
Cada 20 horas o cada estación
Cambio de aceite de motor**
Cada 50 horas o cada estación
Comprobación/limpieza del filtro del depurador de aire**
Inspeccione el silenciador y el supresor de chispas*
Cada 100 horas o cada estación
Servicio de la bujía
* Limpie si está obstruido. Sustituya si está perforado o roto.
** De servicio más a menudo en condiciones de suciedad o polvo.

ACEITE DE LA BOMBA

NO intente efectuar ningún mantenimiento del aceite de esta bomba. La bomba fue prelubricada y sellada en la fábrica, y no requiere mantenimiento adicional durante la vida útil de la bomba.

CONTROL DE EMISIONES

El mantenimiento, sustitución o reparación de los dispositivos y sistemas de control de emisiones puede ser efectuado por cualquier establecimiento o individuo de reparación de motores que no sean para usar en carretera. Sin embargo, para obtener el servicio de control de emisiones "sin cargo", el trabajo debe ser efectuado por un concesionario autorizado de la fábrica. Vea la garantía de emisiones.

MANTENIMIENTO DE LA HIDROLAVADORA

Limpieza de residuos

Diariamente o antes del uso, limpie los residuos acumulados por la limpieza del sistema. Mantenga limpios el varillaje, resortes y controles. Mantenga la zona alrededor y detrás del silenciador sin residuos de combustible. Inspeccione las ranuras de aire de enfriamiento y las aberturas de la hidrolavadora. Estas aberturas deben mantenerse limpias y sin obstrucciones.

Las piezas de la hidrolavadora deben mantenerse limpias para reducir el riesgo de sobrecalentamiento y encendido de los residuos acumulados.

- Use un paño húmedo para limpiar las superficies exteriores.

NOTA:

El tratamiento incorrecto de la hidrolavadora puede dañarla y acortar su vida útil.

- NO inserte ningún objeto a través de las ranuras de enfriamiento.
- Use un cepillo de cerdas finas para aflojar la suciedad, aceite, etc. compactada.
- Use una aspiradora para recoger la suciedad y residuos sueltos.

COMPROBACIÓN Y LIMPIEZA DE LA REJILLA DE ENTRADA

Examine la rejilla en la entrada de agua de la bomba. Límpiela si la rejilla está obstruida o sustitúyala si la rejilla está dañada.

COMPROBACIÓN DE LAS MANGUERAS DE ALTA PRESIÓN

Las mangueras de alta presión pueden desarrollar fugas como producto del desgaste, dobleces o abuso. Inspeccione las mangueras cada vez antes de usarlas. Compruebe si hay cortes, fugas, abrasiones o protuberancias de la cubierta, daño o movimiento de los acoplamientos. Si existe alguna de estas condiciones, sustituya la manguera de inmediato.

⚠ ¡PELIGRO!



El chorro de agua a alta presión que produce este equipo puede cortar a través de la piel y sus tejidos subyacentes, lo que conduce a lesiones graves y posible amputación.

- NUNCA repare la manguera de alta presión. Sustitúyala.
- La clasificación de la manguera de repuesto DEBE satisfacer o exceder la clasificación de presión máxima de la unidad.

COMPROBACIÓN DEL TUBO PARA SIFÓN DE DETERGENTE

Examine el filtro en el tubo para detergente y límpielo si está obstruido. El tubo debe ajustarse apretadamente en el accesorio dentado. Examine el tubo en busca de fugas o desgarramientos. Sustituya el filtro o el tubo si alguno está dañado.

COMPROBACIÓN DE LA PISTOLA DE PULVERIZACIÓN

Examine la conexión de la manguera a la pistola de pulverización y asegúrese de que esté fija. Pruebe el gatillo presionándolo. Debe "volver a resorte" a su lugar cuando lo suelta. Sustituya la pistola de pulverización de inmediato si falla en "volver a resorte".

MANTENIMIENTO DE LA BOQUILLA

Una sensación de pulsación sentida mientras se aprieta el gatillo de la pistola de pulverización puede ser causada por presión excesiva de la bomba. La causa principal de presión de bomba excesiva es una boquilla obstruida o restringida con materiales extraños como suciedad, etc. Para corregir este problema, limpie inmediatamente la boquilla siguiendo estas instrucciones.

1. Apague el motor y cierre el suministro de agua.
2. SIEMPRE apunte la pistola de pulverización hacia una dirección segura, apriete el gatillo de la pistola de pulverización para liberar el agua retenida a alta presión.

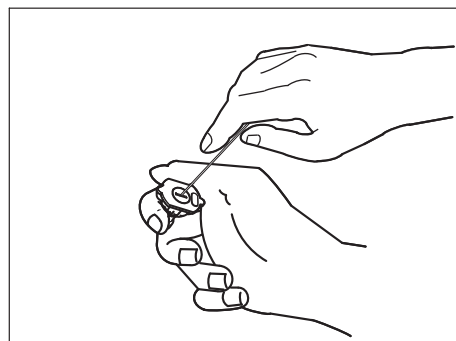
⚠ ¡PELIGRO!



El chorro de agua a alta presión que produce este equipo puede cortar a través de la piel y sus tejidos subyacentes, lo que conduce a lesiones graves y posible amputación. La pistola de pulverización atrapa agua a alta presión, aunque el motor esté parado y el agua desconectada, lo que puede causar lesiones.

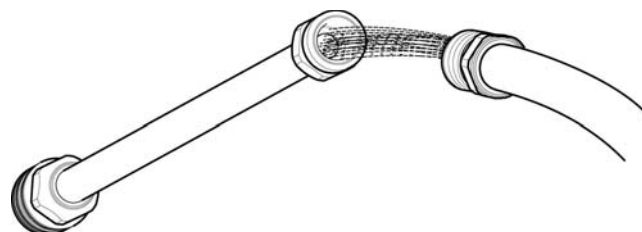
- Mantenga la manguera de alta presión conectada a la bomba y pistola de pulverización mientras el sistema está presurizado.
 - SIEMPRE apunte la pistola de pulverización hacia una dirección segura y apriete el gatillo de la pistola de pulverización para liberar alta presión cada vez que pare el motor. Coloque el seguro de gatillo cuando la pistola de pulverización no esté en uso.
3. Retire la boquilla del extremo de la extensión de la boquilla.
 4. Use un clip para papeles pequeño para liberar cualquier material extraño que obstruya o restrinja la boquilla (Figura 27).

Figura 27 – Liberación de materiales extraños



5. Retire la lanza de la pistola de pulverización.
6. Con una manguera de jardín, retire los residuos adicionales lavando con agua hacia atrás a través de la lanza (Figura 28). Lave hacia atrás entre 30 y 60 segundos.
7. Vuelva a instalar la boquilla en la lanza.
8. Vuelva a conectar la lanza en la pistola de pulverización.

Figura 28 – Lavado hacia atrás de la lanza



Mantenimiento

- Asegúrese de que la manguera de jardín esté conectada a la entrada de agua de la bomba. Compruebe que la manguera de alta presión esté conectada a la pistola de pulverización y bomba. Abra el agua.
- De arranque al motor siguiendo las instrucciones Cómo poner en marcha su hidrolavadora.
- Pruebe la hidrolavadora operando con cada boquilla de conexión rápida.

MANTENIMIENTO DEL MOTOR

⚠ ¡ADVERTENCIA!



Producir chispas en forma no intencional puede dar por resultado incendio o choque eléctrico.

AL AJUSTAR O HACER REPARACIONES EN SU HIDROLAVADORA

- Desconecte el cable de la bujía y coloque el cable donde no pueda hacer contacto con la bujía.

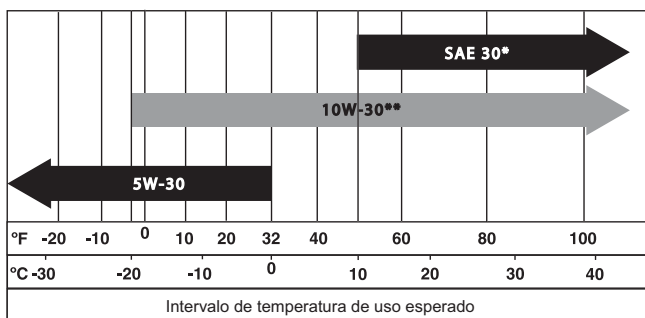
AL PROBAR LA CHISPA DEL MOTOR

- Use un probador de bujías aprobado.
- NO compruebe la chispa con la bujía retirada.

RECOMENDACIONES SOBRE EL ACEITE DE MOTOR

Recomendamos el uso de aceites de alta calidad con detergente aceptables si tienen la clasificación SF, SG, SH, SJ o superior. NO use aditivos especiales.

Las temperaturas de exteriores determinan la viscosidad de aceite apropiada para el motor. Use la tabla para seleccionar la mejor viscosidad para el intervalo de temperatura esperada en exteriores.



* Debajo de 50 °F (10 °C) el uso de SAE 30 dará por resultado un arranque difícil.

** Arriba de 80 °F (27 °C) el uso 10W30 puede causar incremento en el consumo de aceite. Compruebe el nivel de aceite más frecuentemente.

NOTA:

El aceite sintético que satisface la norma ILSAC GF-2, con marca de certificación API y símbolo de servicio API con "SJ/CF ENERGY CONSERVING" (Ahorro de energía SJ/CF) o superior, es un aceite aceptable para todas las temperaturas. El uso de aceite sintético no altera los intervalos de cambio de aceite requeridos.

NOTA:

El motor tiene un "Sistema de alerta de aceite". Este sistema parará automáticamente el motor antes de que el nivel de aceite caiga debajo de un límite seguro. Para evitar el inconveniente de una parada inesperada, siempre compruebe el nivel de aceite de motor antes del arranque.

COMPROBACIÓN DEL NIVEL DE ACEITE

El nivel de aceite debe ser revisado antes de cada uso o al menos cada 8 horas de funcionamiento. Mantenga el nivel de aceite.

- Asegúrese de que la hidrolavadora esté en una superficie nivelada.
- Limpié la zona alrededor del llenado de aceite.
- Retire la tapa de llenado de aceite y limpie la varilla de medición. (Figura 29).
- Inserte la varilla de medición en el cuello de llenado pero no la enrosque.
- Verifique que el aceite esté con el nivel apropiado en la varilla de medición.
- Vuelva a colocar y apriete la tapa de llenado de aceite.

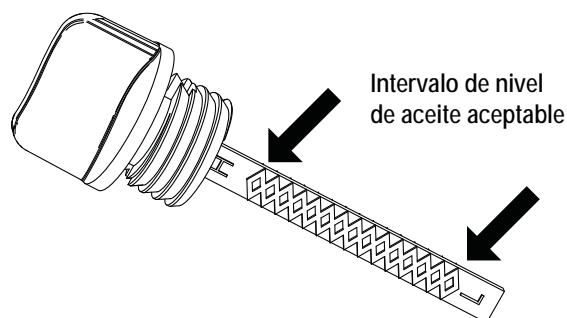
Figura 29 – Llenado de aceite de motor



CÓMO AÑADIR ACEITE DE MOTOR

- Asegúrese de que la hidrolavadora esté en una superficie plana y nivelada.
- Compruebe el nivel de aceite como se describe en Comprobación del nivel de aceite.
- De ser necesario, vierta lentamente aceite en la abertura de llenado hasta alcanzar el nivel apropiado en la varilla de medición.
- Inserte la varilla de medición en el cuello de llenado pero no la enrosque.
- Si el nivel es bajo, llene hasta que el nivel de aceite esté entre "L" y "H" en la varilla de medición (Figura 30).
- Vuelva a colocar y apriete la tapa de llenado de aceite.

Figura 30 – Varilla de medición



CAMBIO DE ACEITE DE MOTOR

Si utiliza su hidrolavadora en condiciones extremas de suciedad o polvo, o en clima extremadamente caluroso, cambie el aceite más frecuentemente.

⚠ ¡PRECAUCIÓN!

⚠ Evite el contacto prolongado o repetido de la piel con aceite usado.

- Se ha mostrado al aceite de motor usado como causante de cáncer de piel en ciertos animales de laboratorio.
- Lave cuidadosamente con jabón y agua las zonas expuestas.

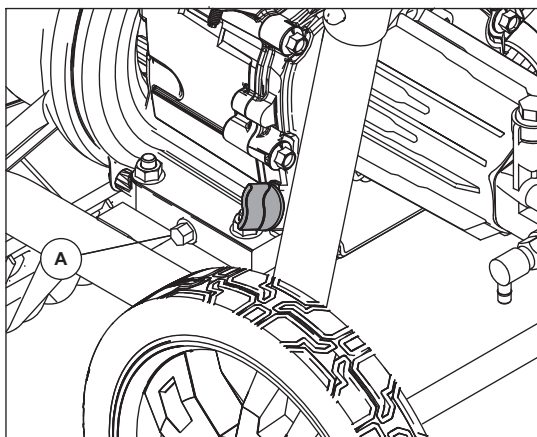
⚠ MANTÉNGALO FUERA DEL ALCANCE DE LOS NIÑOS

- No contamine. Conserve los recursos. Devuelva el aceite usado a los centros de recolección.

Cambie el aceite mientras el motor aún está caliente del funcionamiento, como sigue:

1. Asegúrese de que la unidad esté en una superficie nivelada.
2. Desconecte el cable de la bujía y coloque el cable donde no pueda hacer contacto con la bujía.
3. Limpie la zona alrededor del tapón de vaciado de aceite (A) (Figura 31). El tapón de vaciado de aceite está ubicado en la base del motor, opuesto al carburador.
4. Retire la tapa de llenado de aceite (Figura 31).
5. Retire el tapón de vaciado de aceite y vacíe el aceite completamente en un recipiente adecuado.
6. Vuelva a instalar el tapón de vaciado y apriételo con seguridad.
7. Vierta aceite lentamente (20 oz aproximadamente) en la abertura de llenado de aceite hasta el nivel apropiado en la varilla de medición. NO llene en exceso.
8. Vuelva a instalar la tapa de llenado de aceite. Apriete la tapa con seguridad con la mano.
9. Recoja y limpie el aceite que pueda haberse derramado.
10. Deseche apropiadamente el aceite de acuerdo con todos los reglamentos locales.

Figura 31 – Tapón de vaciado de aceite



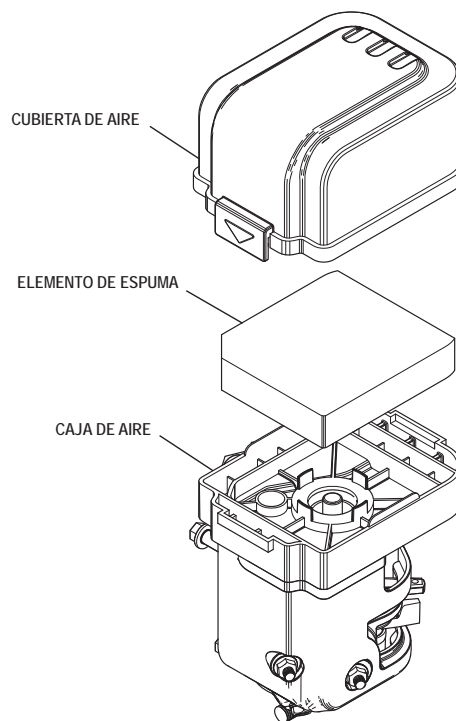
SERVICIO DEL FILTRO DE AIRE

Su motor no funcionará correctamente y se puede dañar si lo usa con un filtro de aire sucio. De servicio más a menudo si funciona en condiciones de suciedad o polvo.

Para dar servicio al filtro de aire, siga estos pasos:

1. Tire del pestillo de la cubierta del depurador de aire y retire la cubierta (Figura 32).
2. Retire el filtro de espuma.
3. Para limpiar el filtro, golpee levemente en forma repetida sobre una superficie plana.
4. Vuelva a instalar un conjunto de filtro limpio o nuevo.
5. Instale la cubierta trabando el pestillo en posición de cerrado.

Figura 32 – Servicio del filtro de aire



SERVICIO DE LA BUJÍA

El cambio de la bujía ayudará al motor a arrancar más fácilmente y funcionar mejor.

1. Limpie la zona alrededor de la bujía.
2. Retire e inspeccione la bujía (Figura 33).
3. Compruebe la separación de electrodos con un calibre de espesores de alambre y, de ser necesario, vuelva a ajustar la separación de la bujía a la recomendada (vea Especificaciones).
4. Sustituya la bujía si los electrodos están picados, quemados o la porcelana está rajada. Use la bujía de repuesto recomendada. Vea Especificaciones.
5. Instale la bujía y apriétela firmemente.

Figura 33 – Cambio de la bujía

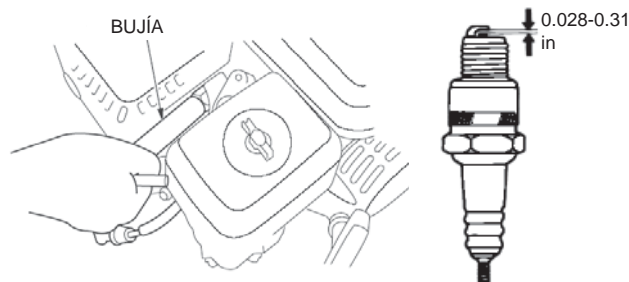
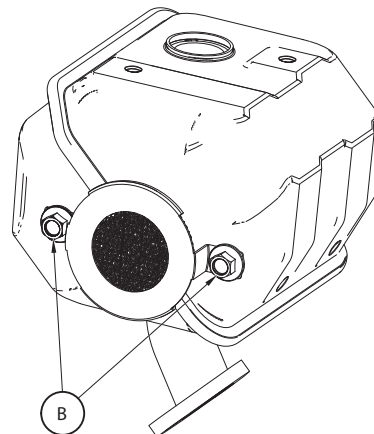


Figura 35 - Retiro del supresor de chispas



INSPECCIÓN DEL SILENCIADOR Y SUPRESOR DE CHISPAS

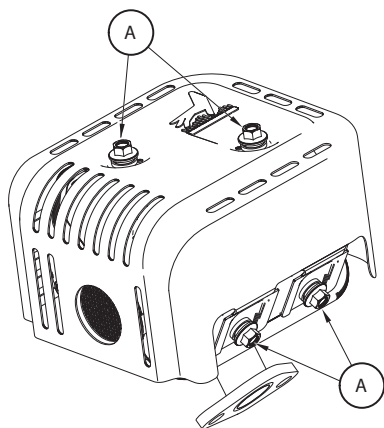
Inspeccione el silenciador en busca de rajaduras, corrosión y otros daños. Retire el supresor de chispas, si tiene, e inspeccione en busca de daños o bloqueo con carbón. Si se requieren piezas de repuesto, asegúrese de usar solo piezas de repuesto originales del equipo.

RETIRE LA REJILLA DEL SUPRESOR DE CHISPAS

Herramientas requeridas: Llave cerrada de 8 mm

1. Retire el protector de calor del silenciador aflojando los cuatro (4) pernos (A) (Figura 34).
2. Retire el supresor de chispas del silenciador aflojando los dos (2) pernos (B) (Figura 35).
3. Inspeccione el supresor de chispas, sustitúyalo si está desgarrado, perforado o dañado de alguna otra forma (número de pieza 0K1851). **NO USE UNA REJILLA DEFECTUOSA.**
4. Si la rejilla no se encuentra dañada, límpiela con algún solvente comercial y vuelva a colocarla.

Figura 34 – Retiro del protector de calor



⚠ ¡ADVERTENCIA!



El contacto con la zona del silenciador puede causar quemaduras graves. El calor y los gases de escape pueden encender combustibles y estructuras o dañar el tanque de combustible, causando un incendio.

- NO toque piezas calientes y EVITE los gases de escape calientes.
- Permita que el equipo se enfríe antes de tocarlo.
- Mantenga por lo menos 5 pies (152 cm) de separación en todos los costados de la hidrolavadora, incluso hacia arriba.
- Es una violación al Public Resources Code (Código de recursos públicos de California), Sección 4442, usar u operar el motor en tierras cubiertas de bosque, maleza o pasto excepto si el sistema de escape tiene un supresor de chispas, como se define en la Sección 4442, mantenido en condiciones de trabajo eficaces. Otros estados o jurisdicciones federales pueden tener leyes similares. Tome contacto con el fabricante, minorista o concesionario de equipo original para obtener un supresor de chispas diseñado para el sistema de escape instalado en este motor.
- Las piezas de repuesto deben ser las mismas y estar instaladas en la misma posición que las piezas originales.

DESPUÉS DE CADA USO

El agua no debe permanecer en la unidad de períodos prolongados. Los sedimentos o materiales se pueden depositar sobre piezas de la bomba y congelar la acción de la bomba. Siga estos procedimientos después de cada uso:

1. Apague el motor, cierre el suministro de agua, apunte la pistola hacia una dirección segura y apriete el gatillo para aliviar la presión atrapada. Deje enfriar el motor.

⚠ ¡PELIGRO!



El chorro de agua a alta presión que produce este equipo puede cortar a través de la piel y sus tejidos subyacentes, lo que conduce a lesiones graves y posible amputación. La pistola de pulverización atrapa agua a alta presión, aunque el motor esté parado y el agua desconectada, lo que puede causar lesiones.

- Mantenga la manguera de alta presión conectada a la bomba y pistola de pulverización mientras el sistema está presurizado.

- SIEMPRE apunte la pistola de pulverización hacia una dirección segura y apriete el gatillo de la pistola de pulverización para liberar alta presión cada vez que pare el motor. Coloque el seguro de gatillo cuando la pistola de pulverización no esté en uso.
- 2. Desconecte las mangueras de la pistola de pulverización y la salida de alta presión de la bomba. Vacíe el agua de las mangueras, pistola de pulverización y lanza. Use un trapo para limpiar la manguera.
- 3. Vacíe la bomba de todos los líquidos bombeados. Compruebe que el interruptor ON/OFF del motor y la válvula de combustible estén en la posición OFF. Luego tire de la manija de la cuerda de arranque seis veces aproximadamente. Esto debe quitar la mayor parte del líquido de la bomba.
- 4. Almacene la unidad en una zona limpia y seca.
- 5. Si va a almacenar más de 30 días, vea la sección Almacenamiento de largo plazo.

⚠ ¡ADVERTENCIA!



El combustible y sus vapores son extremadamente inflamables y explosivos. Los incendios y explosiones pueden causar quemaduras graves o la muerte.

AL ALMACENAR COMBUSTIBLE O EQUIPOS CON COMBUSTIBLE EN EL TANQUE

- Almacene alejado de hornos, estufas, calentadores de agua, secadores de ropa u otros artefactos que tengan luces piloto u otras fuentes de encendido porque pueden encender los vapores de combustible.

ALMACENAMIENTO A LARGO PLAZO

Si no planifica usar la hidrolavadora durante más de 30 días, debe preparar el motor y la bomba para almacenamiento de largo plazo.

PROTECCIÓN DEL SISTEMA DE COMBUSTIBLE

El combustible se puede vencer cuando se almacena más de 30 días. El combustible vencido causa la formación de depósitos ácidos y de goma en el sistema de combustible o en piezas esenciales del carburador. Para mantener fresco al combustible, use un estabilizador de combustible, disponible como aditivo líquido o por goteo de un cartucho de concentrado.

No es necesario vaciar la gasolina del motor si se añade un estabilizador de combustible de acuerdo con las instrucciones. Haga funcionar el motor durante 2 minutos para hacer circular el estabilizador a través del sistema de combustible. El motor y el combustible pueden entonces mantenerse almacenados hasta 24 meses.

Si la gasolina del motor no ha sido tratada con un estabilizador de combustible, debe vaciarse en un recipiente aprobado. Haga funcionar el motor hasta que se pare por falta de combustible. Se recomienda el uso de un estabilizador de combustible en el recipiente de almacenamiento para mantener la frescura.

PROTECCIÓN DEL MOTOR

1. Cambie el aceite de motor.
2. Retire la bujía.
3. Vierta una cuchara sopera (5-10 cm³) de aceite de motor limpio en el cilindro.
4. Tire de la cuerda de arranque varias veces para distribuir el aceite en el cilindro.
5. Vuelva a instalar la bujía.
6. Tire de la cuerda de arranque lentamente hasta que sienta resistencia. Esto cerrará las válvulas de manera que la humedad no pueda ingresar en el cilindro del motor. Devuelva suavemente la cuerda de arranque.

CAMBIO DE ACEITE

Mientras el motor aún esta caliente, vacíe el aceite del cárter. Llene con el grado recomendado. Vea Cambio de aceite de motor en Mantenimiento del motor

⚠ ¡PRECAUCIÓN!



El aceite caliente puede provocar quemaduras. Espere a que el motor se enfríe antes de vaciar el aceite. Evite la exposición prolongada o repetida de la piel al aceite usado. Lave cuidadosamente con jabón las zonas expuestas.

PROTECCIÓN DE LA BOMBA DURANTE EL ALMACENAMIENTO EN EL INVIERNO

Para proteger la bomba contra daños causados por depósitos minerales o congelación, use PumpSaver o RV-antifreeze para tratar la bomba. Esto evita daños por congelación y lubrica los pistones y juntas.

- No hacerlo dañará permanentemente su bomba y pondrá su unidad en condición de inoperable.
- El daño por congelación no está cubierto por la garantía.

Para proteger la unidad de las temperaturas de congelación:

1. Siga los pasos 1-3 de la sección anterior, Después de cada uso.
2. Use protector para bombas para tratar la bomba. Esto minimiza los daños por congelación y lubrica los pistones y juntas.
3. Si no hay disponible protector para bombas, conecte una sección de manguera de jardín de 3 pies en el adaptador de entrada de agua. Vierta RV-antifreeze (anticongelante sin alcohol) en la manguera. Tire dos veces de la manija de la cuerda de arranque. Desconecte la manguera de 3 pies.
4. Almacene la unidad en una zona limpia y seca.

OTRAS INSTRUCCIONES DE ALMACENAMIENTO

1. NO almacene combustible de una estación a la otra salvo que haya sido tratado como se describió en Protección del sistema de combustible.
2. Sustituya el recipiente de combustible si comienza a oxidarse. El óxido y/o la suciedad en el combustible pueden causar problemas si se usa con esta unidad.
3. Cubra la unidad con una cubierta protectora adecuada que no retenga humedad.

⚠ ¡ADVERTENCIA!



Las cubiertas para almacenamiento pueden ser inflamables.

- No coloque una cubierta para almacenamiento sobre una hidrolavadora caliente.
 - Deje que el equipo se enfríe durante un tiempo suficiente antes de colocar la cubierta en el equipo.
4. Almacene la unidad en una zona limpia y seca.

TRANSPORTE E INCLINACIÓN DE LA UNIDAD

No haga funcionar, almacene o transporte la unidad con un ángulo mayor que 15 grados.

GUÍA DE RESOLUCIÓN DE PROBLEMAS

PROBLEMA	CAUSA	SOLUCIÓN
La bomba tiene los problemas siguiente: fallo en la producción de presión, presión errática, vibración, pérdida de presión, bajo volumen de agua.	<ol style="list-style-type: none"> 1. Está instalada la boquilla de baja presión. 2. La entrada de agua está bloqueada. 3. Suministro de agua inadecuado. 4. La manguera de entrada tiene dobleces y fugas. 5. Rejilla de la manguera de entrada obstruida. 6. El suministro de agua supera 100 °F. 7. La manguera de alta presión está bloqueada o tiene fugas. 8. Fugas de la pistola de pulverización. 9. La boquilla está obstruida. 10. La bomba falla. 	<ol style="list-style-type: none"> 1. Sustituya con una boquilla de alta presión. 2. Libere la entrada. 3. Provea un flujo de agua adecuado. 4. Enderece la manguera de entrada, emparche la fuga. 5. Compruebe y limpie la rejilla de la manguera de entrada. 6. Provea un flujo de agua más frío. 7. Libere los bloqueos de la manguera de salida o sustituya la manguera. 8. Sustituya la pistola de pulverización. 9. Limpie la boquilla. 10. Comuníquese con la instalación de servicio local.
El detergente no se mezcla con la pulverización.	<ol style="list-style-type: none"> 1. El tubo para sifón de detergente no está sumergido. 2. El tubo/filtro para sifón de detergente está obstruido o rajado. 3. Está instalada la boquilla de alta presión. 	<ol style="list-style-type: none"> 1. Inserte el tubo para sifón de detergente en detergente. 2. Limpie o sustituya el filtro/tubo para sifón de detergente. 3. Sustituya con una boquilla de baja presión.
El motor funciona bien sin carga pero tiende a pararse cuando se añaden cargas.	<ol style="list-style-type: none"> 1. La velocidad del motor es muy lenta. 	<ol style="list-style-type: none"> 1. Comuníquese con la instalación de servicio local.
El motor no arranca; o arranca y funciona con dificultad.	<ol style="list-style-type: none"> 1. Filtro de aire sucio. 2. Sin combustible. 3. Combustible vencido. 4. El cable de distribución no se encuentra conectado a la bujía. 5. Bujía averiada. 6. Agua en el combustible. 7. Mezcla de combustible excesivamente rica. 	<ol style="list-style-type: none"> 1. Limpie o sustituya el filtro de aire. 2. Llene el tanque de combustible. 3. Vacíe el tanque de combustible y llene con combustible nuevo. 4. Conecte el cable a la bujía. 5. Sustituya la bujía. 6. Vacíe el tanque de combustible y llene con combustible nuevo. 7. Comuníquese con la instalación de servicio local.
El motor se para durante el funcionamiento.	<ol style="list-style-type: none"> 1. Sin combustible. 	<ol style="list-style-type: none"> 1. Llene el tanque de combustible.
Falta potencia del motor.	<ol style="list-style-type: none"> 1. Filtro de aire sucio. 	<ol style="list-style-type: none"> 1. Sustituya el filtro de aire.



Manuel du propriétaire

Laveuse à pression

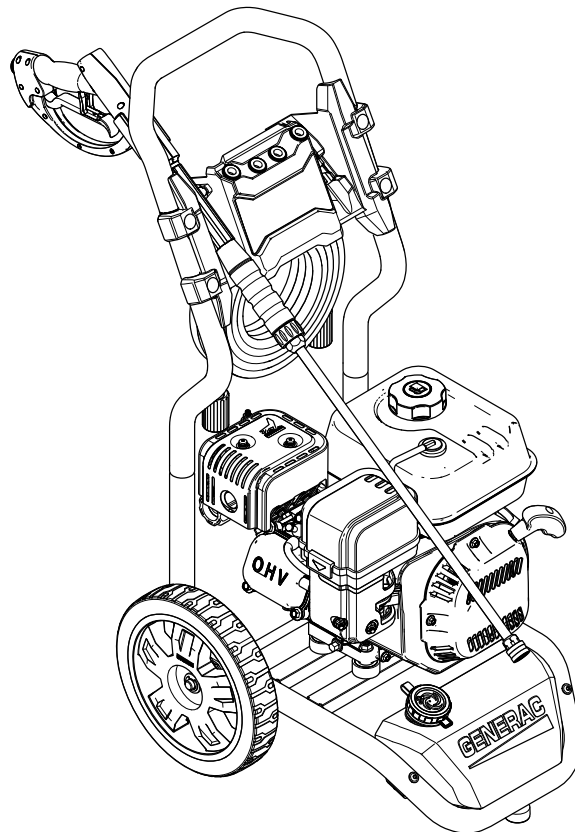


Table des matières

Introduction	1	Entretien	14
Où nous trouver.....	1	Recommandations en matière d'entretien	14
Règles de sécurité	1	Programme d'entretien	14
Symboles de sécurité et significations	1	Huile de la pompe	14
Informations générales	4	Contrôle des émissions.....	14
Se familiariser avec la laveuse à pression.....	4	Entretien de la laveuse à pression	15
Caractéristiques techniques du produit.....	5	Vérifier et nettoyer le tamis de l'entrée d'eau	15
Informations relatives aux émissions	5	Vérifier les tuyaux à haute pression	15
Fonctionnement à haute altitude	5	Vérifier le tube de siphonnement du détergent	15
Désemballage	5	Vérifier le pistolet de pulvérisation	15
Réglage	6	Entretien de la buse.....	15
Assemblage.....	6	Entretien du moteur.....	16
Ajouter de l'huile de moteur.....	6	Recommandations en matière d'huile de moteur.....	16
Ajouter du carburant	7	Vérifier le niveau d'huile	16
Raccorder le tuyau et l'alimentation en eau à la pompe.....	7	Ajout de l'huile de moteur	16
Comment utiliser les buses	9	Changer l'huile de moteur	17
Lavage et application de détergent.....	10	Entretien du filtre à air	17
Rinçage de la laveuse à pression.....	11	Entretien la bougie d'allumage.....	17
Nettoyage du tube de siphonnement du détergent.....	11	Inspecter le silencieux et le pare-étincelles	18
Fonctionnement	11	Enlever l'écran pare-étincelles	18
Fonctionnement	11	Après chaque utilisation	18
Emplacement de la laveuse à pression	11	Entreposage à long terme	19
Liste de contrôle avant de démarrer le moteur	12	Protéger le système d'alimentation	19
Comment démarrer votre laveuse à pression.....	12	Protéger le moteur.....	19
Système de refroidissement automatique (décharge thermique) ...	14	Changer l'huile.....	19
Comment arrêter votre laveuse à pression.....	14	Protéger la pompe	19
		Autres instructions en matière d'entreposage.....	19
		Transport/inclinaison de l'appareil.....	19
		Dépannage	20
		Guide de dépannage	20
		Remarques	21

AVERTISSEMENT!

Proposition 65 de l'État de la Californie

L'échappement du moteur et certains de ses composants sont reconnus par l'État de la Californie comme pouvant causer le cancer, des anomalies congénitales ou d'autres problèmes de reproduction.

AVERTISSEMENT!

Proposition 65 de l'État de la Californie

Ce produit contient ou émet des produits chimiques reconnus par l'État de la Californie comme pouvant causer le cancer, des anomalies congénitales ou d'autres problèmes de reproduction.

INTRODUCTION

Nous vous remercions d'avoir acheté cette laveuse à pression fabriquée par Generac Power Systems, Inc. Ce modèle à performance élevée, refroidi à l'air et entraîné par moteur fonctionne à 2800 psi. Cet appareil est équipé de roues de conception unique, d'une pompe axiale à came dotée de pistons en acier inoxydable, d'un système de refroidissement automatique, de buses à branchement rapide, d'un tuyau à haute pression, d'un tuyau de siphonnement de détergent et d'un réservoir de produits chimiques.

Le bon sens et un respect strict des consignes sont essentiels afin de prévenir les accidents. L'opérateur doit lire ce manuel et comprendre entièrement l'ensemble des consignes et des avertissements avant d'utiliser cet équipement. Si vous ne comprenez pas une partie du manuel, veuillez communiquer avec le détaillant agréé le plus près afin d'obtenir les procédures de démarrage, d'utilisation et d'entretien. Le propriétaire est responsable de faire une utilisation appropriée et sécuritaire de l'équipement.

La laveuse à pression peut être utilisée de manière sécuritaire, efficace et fiable seulement si celle-ci est positionnée, utilisée et entretenue correctement. Avant d'utiliser, d'effectuer l'entretien ou d'entreposer l'appareil :

- Étudiez attentivement tous les avertissements se trouvant dans ce manuel et sur le produit.
- Familiarisez-vous avec ce manuel et avec l'appareil.
- Veuillez consulter la section Assemblage de ce manuel afin d'obtenir les consignes portant sur les procédures d'assemblage finales. Suivez les consignes à la lettre.

Le fabricant ne peut pas anticiper toutes les circonstances possibles pouvant être source de danger. Les avertissements de ce manuel, ainsi que ceux qui se trouvent sur les étiquettes et les autocollants fixés sur l'appareil ne préviennent pas tous les risques. Si vous utilisez une procédure, une méthode de travail ou une technique d'utilisation n'étant pas spécifiquement recommandée par le fabricant, veuillez vous assurer que la procédure, la méthode de travail ou la technique d'utilisation ne fait pas en sorte que la laveuse à pression devienne non sécuritaire.

LES INFORMATIONS CONTENUES DANS LE PRÉSENT DOCUMENT SONT BASÉES SUR DES APPAREILS EN PRODUCTION AU MOMENT DE LA PUBLICATION. GENERAC SE RÉSERVE LE DROIT DE MODIFIER CE MANUEL À TOUT MOMENT.

Conservez ces consignes pour consultation future. Si vous prêtez cet appareil à quelqu'un, prêtez-le-lui TOUJOURS accompagné de ces instructions ET du manuel du propriétaire.

OÙ NOUS TROUVER

Vous pouvez communiquer avec le service à la clientèle de Generac par téléphone en composant le 1-888-436-3722 ou sur internet au www.generac.com. Prenez en note les informations importantes concernant l'appareil dans le tableau ci-dessous pour consultation future ou pour des demandes liées à l'entretien.

Numéro de modèle	
Numéro de série	
Date d'achat	

RÈGLES DE SÉCURITÉ

Des encarts DANGER, AVERTISSEMENT, MISE EN GARDE et REMARQUE apparaissent ponctuellement dans cette publication ainsi que sur les étiquettes et autocollants fixés à la laveuse à pression pour attirer l'attention du personnel sur des consignes propres à certaines opérations pouvant présenter des risques si elles sont réalisées de manière incorrecte ou attentive. Respectez-les à la lettre. Voici leur définition :

▲ DANGER!

Indique une situation ou une action dangereuse qui, si elle n'est pas évitée, entraînera la mort ou des blessures graves.

▲ AVERTISSEMENT!

Indique une situation ou une action dangereuse qui, si elle n'est pas évitée, pourrait entraîner la mort ou des blessures graves.

▲ MISE EN GARDE!

Indique une situation ou une action dangereuse qui, si elle ne peut être évitée, risque d'entraîner des blessures légères ou moyennement graves.

REMARQUE :

Les remarques contiennent des informations supplémentaires importantes à propos des procédures et sont intégrées au corps du texte de ce manuel.

Ces avertissements en matière de sécurité ne peuvent éliminer les dangers qu'ils décrivent. Le bon sens et un respect strict des consignes sont essentiels afin de prévenir les accidents lors de l'utilisation ou de l'entretien de l'équipement.

SYMBOLES DE SÉCURITÉ ET SIGNIFICATIONS



Protections auditives



Vapeurs toxiques



Rebond



Décharge électrique



Surface glissante



Chute



Injection de fluide



Feu



Explosion



Manuel du propriétaire



Pièces mobiles



Objets projetés en l'air



Surface chaude

Règles de sécurité

! DANGER : Le monoxyde de carbone généré lors de l'utilisation PEUT ENTRAÎNER LA MORT en quelques minutes. NE JAMAIS utiliser l'appareil à l'intérieur, dans un véhicule ou dans tout endroit abrité MÊME SI les portes et les fenêtres sont ouvertes. N'utilisez l'appareil qu'à l'EXTÉRIEUR, loin des fenêtres, des portes et des conduits d'aération.

! Certains produits chimiques et détergents peuvent être dangereux s'ils sont inhalés ou ingérés, car ils peuvent entraîner des nausées sévères, des évanouissements ou même un empoisonnement.

- N'utilisez la laveuse à pression qu'à l'EXTÉRIEUR.
- Un moteur qui fonctionne génère du monoxyde de carbone.
- Le monoxyde de carbone est un gaz toxique inodore et incolore. Respirer du monoxyde de carbone peut causer des maux de tête, de la fatigue, des étourdissements, des vomissements, de la confusion, des crises épileptiques, des nausées, l'évanouissement ou la mort. Si vous commencez à ressentir l'un de ces symptômes, rendez-vous IMMÉDIATEMENT à l'air frais. Obtenez des soins médicaux.
- Veillez à ce que les gaz d'échappement ne pénètrent pas dans une zone confinée par une fenêtre, une porte, un conduit d'aération ou autres ouvertures. Décrivez à toute personne se trouvant à l'intérieur les symptômes causés par une exposition au monoxyde de carbone afin qu'elle sache qu'elle doit se rendre à l'air frais si elle commence à ressentir un malaise.
- Il est recommandé d'utiliser un détecteur de monoxyde de carbone dans tout lieu occupé séparant la laveuse à pression et l'occupant.
- NE JAMAIS démarrer ni faire tourner le moteur à l'intérieur, dans un véhicule ou un espace fermé, MÊME SI les fenêtres et les portes sont ouvertes.
- Utilisez un respirateur ou un masque s'il est possible que vous inhaliez des gaz ou des vapeurs toxiques.
- Lisez toutes les instructions fournies avec le respirateur ou le masque afin de vous assurer qu'il offre la protection nécessaire contre l'inhalation de gaz ou de vapeurs toxiques. Si vous commencez à ressentir l'un des symptômes liés au monoxyde de carbone décrits plus haut, rendez-vous IMMÉDIATEMENT à l'air frais.

! DANGER : Ne pointez JAMAIS le pistolet de pulvérisation vers des gens, des animaux ou des appareils électriques. Cela pourrait causer des blessures graves ou même la mort. Pointez TOUJOURS le pistolet de pulvérisation dans une direction sécuritaire et appuyez sur le déclencheur du pistolet de pulvérisation pour éliminer la haute pression chaque fois que vous éteignez l'appareil. Enclenchez le verrou du déclencheur lorsqu'il n'est pas utilisé.

- Le jet d'eau à haute pression produit par cet appareil peut déchirer la peau et les tissus sous-cutanés, entraînant des blessures graves et possiblement une amputation ou la mort. Le pistolet de pulvérisation emprisonne de l'eau sous haute pression, MÊME LORSQUE le moteur est éteint et que l'alimentation en eau est coupée, ce qui peut causer des blessures.
- NE laissez JAMAIS un ENFANT utiliser la laveuse à pression ou jouer autour de l'appareil. Cet appareil N'EST PAS un jouet.
- NE réparez JAMAIS le tuyau à haute pression. Remplacez-le.
- NE réparez JAMAIS un raccordement qui fuit à l'aide d'un scellant, quel qu'il soit. Remplacez la bague en O ou le joint.
- NE raccordez JAMAIS le tuyau à haute pression à la rallonge de la buse.
- Veillez à ce que le tuyau à haute pression reste raccordé à la pompe et au pistolet de pulvérisation lorsque le système est sous pression.
- NE verrouillez JAMAIS le pistolet de pulvérisation en position ouverte.
- NE laissez JAMAIS le pistolet de pulvérisation sans surveillance lorsque la machine est en marche.
- N'utilisez JAMAIS un pistolet de pulvérisation qui n'est pas muni d'un verrou ou d'un garde pour le déclencheur en place et en état de fonctionner.
- SOYEZ TOUJOURS certain que le pistolet de pulvérisation, les buses et les accessoires sont correctement raccordés.

! AVERTISSEMENT : Risque d'électrocution.



Le contact avec une source d'alimentation électrique peut causer un choc électrique ou des brûlures.

- NE pulvérisez JAMAIS à proximité d'une source d'alimentation électrique.

! AVERTISSEMENT : Le contact avec la région du silencieux peut causer des brûlures graves. La chaleur et les gaz du silencieux peuvent enflammer des combustibles ou des structures, ou endommager le réservoir de carburant et causer un incendie.



• NE touchez PAS aux pièces chaudes et ÉVITEZ les gaz d'échappement chauds.

• Laissez l'équipement refroidir avant d'y toucher.

• Gardez un dégagement d'au moins cinq (5) pieds (152 cm) sur chaque côté de la laveuse à pression, dont un dégagement vertical au-dessus de l'appareil.



• Le fait d'utiliser ou d'opérer l'appareil sous un couvert forestier ou dans un environnement de brousse ou d'herbes constitue une violation de l'article 4442 du California Public Resource Code (Code des ressources publiques de l'État de la Californie), à moins que le système d'échappement de l'appareil ne soit doté d'un pare-étincelles maintenu en état de marche effectif, comme énoncé dans l'article 4442. D'autres juridictions fédérales ou étatiques peuvent avoir des lois similaires.

Communiquez avec le fabricant, le détaillant ou le concessionnaire de l'équipement original pour l'installation d'un pare-étincelles conçu pour le système d'échappement de cet appareil.

- Les pièces de rechange doivent être les mêmes que les pièces d'origine et elles doivent être installées de la même façon.

! AVERTISSEMENT : Le carburant et ses vapeurs sont extrêmement inflammables et explosifs. Un feu ou une explosion peut entraîner des brûlures graves et même la mort.



LORS DE L'AJOUT OU DE LA VIDANGE DE CARBURANT

• Mettez la laveuse à pression en position d'ARRÊT et laissez-la refroidir pendant deux (2) minutes avant de retirer le bouchon de l'orifice de remplissage du carburant. Dévissez doucement le bouchon afin d'éliminer la pression accumulée dans le réservoir.



• Procédez au remplissage et à la vidange du carburant à l'extérieur.

• NE remplissez PAS trop le réservoir. Prévoyez de l'espace pour l'expansion du carburant.

• Si une fuite de carburant se produit, attendez que le carburant se soit évaporé avant d'allumer le moteur.

- Gardez le carburant à distance des étincelles, des flammes nues, des veilleuses et de toutes autres sources d'ignition.
- N'ALLUMEZ PAS de cigarette et ne fumez pas.

LORS DU DÉMARRAGE DE L'APPAREIL

- Assurez-vous que la bougie d'allumage, le silencieux, le bouchon du carburant et le filtre à air sont en place.
- NE démarrez PAS le moteur lorsque la bougie d'allumage n'est pas en place.

LORS DE L'UTILISATION DE L'APPAREIL

- N'inclinez PAS le moteur ou l'appareil à un angle pouvant entraîner une fuite de carburant.
- NE pulvérisez PAS de liquides inflammables.

LORS DU TRANSPORT OU DE LA RÉPARATION DE L'APPAREIL

- Transportez/réparez l'appareil lorsque le réservoir de carburant est VIDE ou que la soupape d'arrêt du carburant est FERMÉE.
- Débranchez la bougie d'allumage.

LORS DE L'ENTREPOSAGE DU CARBURANT OU DE L'ÉQUIPEMENT AVEC DU CARBURANT DANS LE RÉSERVOIR

- Rangez le carburant dans un endroit éloigné des chaudières, cuisinières, chauffe-eau, sècheuses ou autre appareil ménager muni d'une veilleuse ou d'autres sources d'allumage, car ils pourraient enflammer les vapeurs de carburant.

AVERTISSEMENT : L'utilisation de la laveuse à pression peut créer des flaques d'eau et des surfaces glissantes. L'effet de rebond du pistolet de pulvérisation pourrait vous faire chuter.



- N'utilisez l'appareil que sur une surface de niveau.
- La région à laver devrait être dotée d'une inclinaison et d'un drainage adéquat pour réduire la probabilité de chute due aux surfaces glissantes.
- N'utilisez pas l'appareil sur une surface surélevée, où l'effet de rebond pourrait entraîner une chute grave.
- Tenez le pistolet de pulvérisation fermement à deux mains lorsque vous utilisez le jet à haute pression afin d'éviter de vous blesser en raison de l'effet de rebond du pistolet.

AVERTISSEMENT : Le démarreur et les autres pièces rotatives peuvent enchevêtrer les mains, les cheveux, les vêtements et les accessoires.



- N'utilisez JAMAIS la laveuse à pression sans enceinte ou couvercle de protection.
- NE portez PAS de vêtements amples, bijoux, ou tout autre élément pouvant s'enchevêtrer dans le démarreur ou les autres pièces rotatives.
- Si vous avez les cheveux longs, attachez-les; retirez vos bijoux.

AVERTISSEMENT : L'effet de rebond (rétraction rapide) de la corde du démarreur peut entraîner des blessures corporelles. L'effet de rebond entraînera la main et le bras vers l'appareil plus rapidement que vous ne pourriez le lâcher. Cela pourrait entraîner des fractures des os, des ecchymoses ou des entorses.



- NE tirez JAMAIS sur la corde du démarreur sans au préalable avoir relâché la pression contenue dans le pistolet de pulvérisation.
- Pour relâcher la pression emprisonnée, pointez le pistolet dans une direction sécuritaire et libérez la pression en tirant/ actionnant le déclencheur du pistolet de pulvérisation.
- Lorsque vous allumez le moteur, tirez doucement sur la corde jusqu'à ce que vous sentiez une résistance, puis tirez rapidement pour éviter l'effet de rebond.
- Après chaque tentative de démarrage où le moteur n'a pas démarré, pointez toujours le pistolet de pulvérisation dans une direction sécuritaire et appuyez sur le déclencheur du pistolet pour relâcher la haute pression.
- Tenez le pistolet de pulvérisation fermement à deux mains lorsque vous utilisez le jet à haute pression afin d'éviter de vous blesser en raison de l'effet de rebond du pistolet.

AVERTISSEMENT : Une formation non intentionnelle d'étincelles peut entraîner un feu ou un choc électrique.



LORSQUE VOUS EFFECTUEZ UN AJUSTEMENT OU UNE RÉPARATION SUR VOTRE LAVEUSE À PRESSION.

- Débranchez le câble d'allumage de la bougie d'allumage et placez-le de manière à ce qu'il ne puisse pas entrer en contact avec la bougie.



LORSQUE VOUS TESTEZ L'ALLUMAGE DU MOTEUR

- Utilisez un testeur de bougie d'allumage approuvé.
- NE vérifiez PAS l'allumage si la bougie d'allumage a été retirée.

AVERTISSEMENT : Risque de blessure aux yeux. Le jet de pulvérisation peut éclabousser ou propulser des objets.



- Portez toujours des lunettes à coques étanches lors de l'utilisation de l'équipement ou à proximité de l'équipement lors de son utilisation.
- Assurez-vous de porter des lunettes de protection à coques étanches avant de démarrer la laveuse à pression.
- NE remplacez JAMAIS des lunettes à coques étanches par des lunettes de sécurité.

AVERTISSEMENT : Le port de protections auditives est recommandé.



REMARQUE :

Jet à haute pression pouvant endommager les articles fragiles, dont le verre.

- NE POINTEZ pas le pistolet de pulvérisation vers du verre lors de l'utilisation de la buse rouge (0°) MAX.
- Ne pointez JAMAIS le pistolet de pulvérisation vers des gens, des animaux, des appareils électriques ou des plantes.

REMARQUE :

Un traitement inapproprié de la laveuse à pression peut entraîner des dommages et réduire sa durée de vie.

- Si vous avez des questions quant à l'utilisation prévue, demandez au détaillant ou communiquez avec un centre de services agréé.
- N'utilisez JAMAIS des appareils comportant des pièces défectueuses ou manquantes, ou sans enceinte ou couvercle de protection.
- NE court-circuitez AUCUN dispositif de sécurité sur cet appareil.
- Ne faites PAS fonctionner la laveuse à pression au-delà des pressions nominales.
- NE modifiez D'AUCUNE FAÇON la laveuse à pression.
- Avant de mettre en marche la laveuse à pression PAR TEMPS FROIDS, vérifiez chacune des pièces de l'équipement afin de veiller à ce qu'aucune glace ne se soit formée.
- NE déplacez JAMAIS l'appareil en tirant sur les tuyaux. Utilisez la poignée de l'appareil.
- Vérifiez le système d'alimentation en carburant afin de détecter des fuites ou des signes de détérioration, comme un tuyau éraillé ou spongieux, des pinces desserrées ou manquantes, ou encore un réservoir ou un bouchon endommagé. Réparez toutes les déficiences avant d'utiliser la laveuse à pression.
- Cet équipement est conçu pour être utilisé UNIQUEMENT avec des pièces Generac autorisées. Si l'équipement est utilisé avec des pièces NON conformes aux spécifications minimales, l'utilisateur devra en assumer tous les risques et responsabilités.

SE FAMILIARISER AVEC LA LAVEUSE À PRESSION

Lisez ce manuel du propriétaire et les règles de sécurité avant d'utiliser votre laveuse à haute pression.

Si vous prêtez cet appareil à quelqu'un, prêtez-le-lui TOUJOURS accompagné de ces instructions ET du manuel du propriétaire. Comparez les illustrations avec votre laveuse à pression afin de vous familiariser avec l'emplacement des multiples commandes (figure 1). Conserver ce manuel pour référence ultérieure. Des manuels de l'utilisateur de remplacement peuvent être imprimés depuis le site Web de Generac.

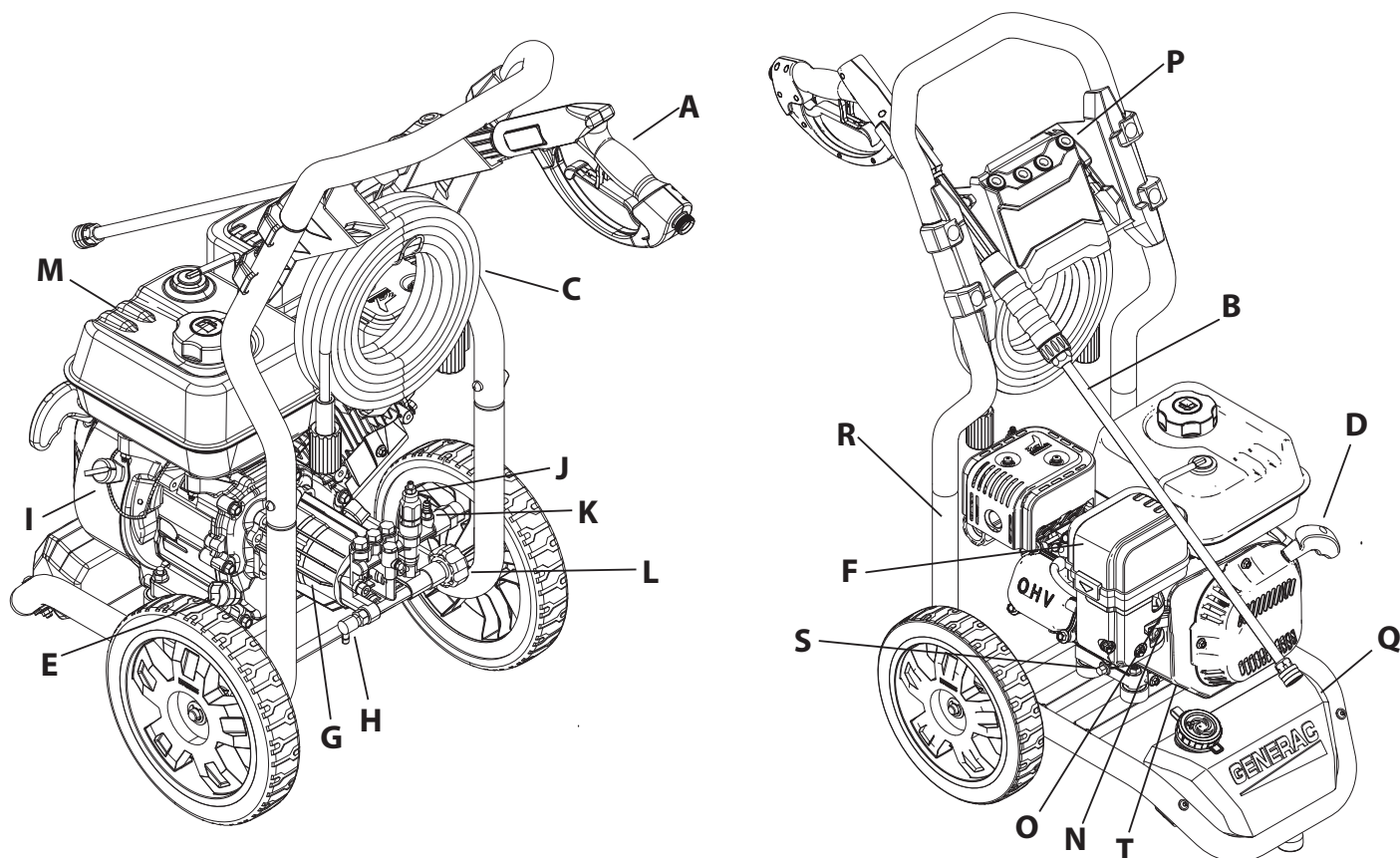
- A — Pistolet de pulvérisation** — Contrôle l'application d'eau sur la surface de nettoyage à l'aide du dispositif déclencheur. Comprend un verrou pour le déclencheur.
- B — Lance à branchement rapide** — Vous permet de passer d'une buse à l'autre.
- C — Tuyau à haute pression** — Raccordez une extrémité à la pompe à eau et l'autre au pistolet de pulvérisation.
- D — Lanceur à rappel** — Utilisé pour démarrer le moteur.
- E — Orifice de remplissage d'huile** — Permet de vérifier le niveau et d'ajouter de l'huile de moteur.
- F — Filtre à air** — Protège le moteur en filtrant la poussière et les débris de la prise d'air.
- G — Pompe** — Crée une forte pression.
- H — Clapet de décharge thermique** — Lorsque l'eau circulant dans la pompe atteint 125 °F (51,66 °C), le clapet de décharge thermique déverse l'eau de la pompe sur le sol. Cela permet de prévenir les dommages internes à la pompe.

- I — Interrupteur marche/arrêt du moteur** — Placez cet interrupteur à « MARCHE » avant d'utiliser le lanceur à rappel. Placez l'interrupteur à « ARRÊT » pour éteindre le moteur.
- J — Clapet de marche à vide** — Contrôle la sortie de haute pression.
- K — Sortie haute pression** — Branchement pour le tuyau à haute pression.
- L — Prise d'eau** — Branchement pour le boyau d'arrosage.
- M — Réservoir de carburant** — Remplissez le réservoir avec de l'essence sans plomb ordinaire. Laissez toujours de l'espace pour l'expansion du carburant.
- N — Interrupteur marche/arrêt pour le carburant** — Met en marche ou interrompt l'alimentation en carburant vers le moteur.
- O — Étrangleur** — Prépare un moteur froid au démarrage.
- P — Buses** — Injection de produits chimiques, 0°, 25°, 40° pour différentes applications de nettoyage à haute pression.
- Q — Réservoir de produits chimiques** — Contient les détergents de la laveuse à pression de façon sécuritaire pour qu'ils soient siphonnés dans le jet à basse pression.
- R — Avertissement/Instructions d'utilisation** — Identifiez la procédure adéquate pour démarrer/arrêter la laveuse à pression.
- S — Bouchon de vidange d'huile** — Utilisé pour vidanger l'huile de moteur.
- T — Emplacement du numéro de série**

ÉLÉMENTS NON ILLUSTRÉS

- Étiquette d'identification (sur le boîtier du ventilateur du moteur) – Affiche le numéro du modèle et le numéro de série de la laveuse à pression. Veillez à avoir ces informations sous la main lors de demandes d'assistance.
- Tube/filtre de siphonnement de détergents – Utilisé pour siphonner des détergents pouvant être utilisés de manière sécuritaire avec la laveuse à pression dans le jet à basse pression.

Figure 1 — Caractéristiques et commandes



CARACTÉRISTIQUES TECHNIQUES DU PRODUIT

Pression - (psi/bar).....	2800/193 Max
Débit - (gal/min/l/min).....	2,5/9,5 Max
Température de l'alimentation en eau - (°F/°C).....	100/38 Max
Longueur du tuyau - (pieds/mètres).....	25/7,6,1
Réservoir(s) à produits chimiques - Quantité par appareil.....	1
Réservoir de produits chimiques - Capacité (gal) S. O.....	0,50/1,9
Buses - Quantité par appareil.....	4
Longueur de la lance (pouces/cm).....	20/51
Pistolet.....	Standard
Cylindrée - (po3/cm3).....	11,9/196
Type de bougie d'allumage.....	F7TC ou l'équivalent
Écartement des bougies d'allumage - (pouces/mm).....	0,028-0,031/0,70-0,80
Capacité de carburant - (pintes/litres).....	3,7/3,5
Capacité d'huile - (oz/litres).....	20/0,6
Système d'arrêt en cas de niveau d'huile faible.....	Non
Interrupteur marche/arrêt.....	Oui

INFORMATIONS RELATIVES AUX ÉMISSIONS

L'Agence américaine de protection de l'environnement (et le Comité des ressources de l'air de la Californie pour les appareils certifiés selon les normes CA) exige que ce moteur soit conforme aux normes d'émissions d'échappement et par évaporation. Trouvez l'étiquette contenant les informations au sujet de la conformité aux normes d'émissions apposée sur le moteur pour déterminer quelles sont les normes satisfaites par le moteur et quelle est la garantie applicable en la matière. Ce moteur est certifié pour les normes d'émission applicables sur l'essence. Il est important de respecter les spécifications d'entretien décrites dans la section Entretien afin de s'assurer que le moteur reste conforme aux normes d'émission applicables pendant toute la durée de sa vie. Ce moteur utilise les paramètres d'une carburation pauvre ainsi que d'autres systèmes permettant de réduire les émissions. Toute manipulation ou altération du système de contrôle des émissions risque d'augmenter ces dernières et peut constituer une violation des lois fédérales ou californiennes. Ce qui suit constitue une liste non exhaustive d'altérations :

- enlever ou altérer toute pièce des systèmes d'admission, d'échappement ou de carburant
- l'altération ou la défaillance de la tringlerie du régulateur ou du mécanisme de régulation de vitesse qui provoquerait le fonctionnement du moteur hors des paramètres pour lesquels il est conçu

Si vous avez connaissance de l'un des symptômes suivants, faites vérifier et réparer votre moteur par votre fournisseur de services d'entretien :

- démarrage difficile ou calage après le démarrage
- ralenti irrégulier
- ratés d'allumage ou effets de retour de flamme en charge
- postcombustion (retour de flamme)
- fumée d'échappement noire ou importante consommation de carburant

FONCTIONNEMENT À HAUTE ALTITUDE

Le système de carburant de ce moteur peut être sensible à un fonctionnement à haute altitude. Vous pouvez garantir son bon fonctionnement en installant une trousse pour utilisation en altitude lorsque cela est nécessaire. Consultez le tableau suivant pour savoir quand la trousse pour utilisation en altitude est nécessaire. Si la trousse pour utilisation en altitude adaptée n'est pas installée, le fonctionnement de ce moteur peut augmenter les émissions du moteur et réduire les économies de carburant et les performances. Les trousse peuvent être achetées auprès de tout concessionnaire et doivent être installées par une personne qualifiée.

Altitude*	Numéro de trousse	psi
0 - 1524 m (0 - 5000 pi)	Non requise	2800
1524 - 2133 m (5000 - 7000 pi)	0K2015	2800

*Hauteur au-dessus du niveau de la mer.

REMARQUE :

Si la trousse d'altitude a été installée et que le moteur doit fonctionner à une altitude où celui-ci n'est pas requis, il est nécessaire de remettre le moteur dans sa configuration d'origine. Le fait de faire fonctionner le moteur à des altitudes inférieures lorsque la trousse est installée peut provoquer sa surchauffe et sérieusement l'endommager; cela peut également réduire les performances et augmenter les émissions.

DÉSEMBALLAGE

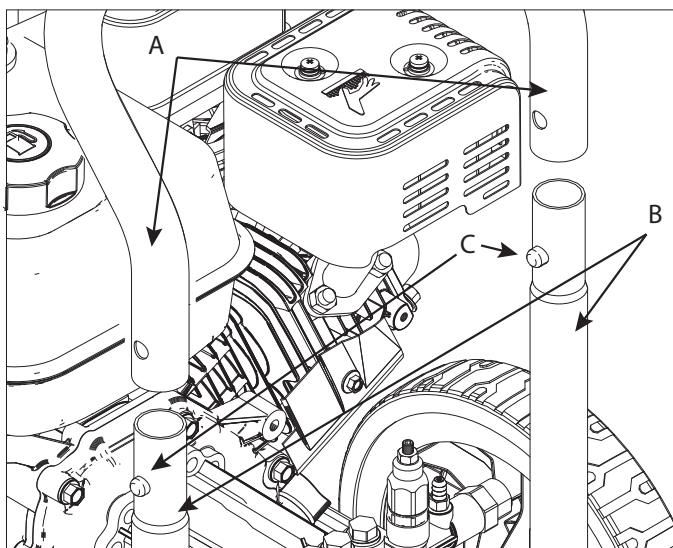
1. Retirez le sac de pièces, les accessoires et les plaquettes compris avec la laveuse à pression.
2. Ouvrez complètement le carton en coupant chaque coin de haut en bas.
3. Assurez-vous d'avoir tous les éléments avant de procéder à l'assemblage.
 - Appareil principal
 - Ensemble de la poignée
 - Tuyau à haute pression
 - Tuyau-siphon
 - Pistolet de pulvérisation
 - Lance avec raccord de branchement rapide
 - Burette
 - Crochet pour tuyau en fil formé
 - Sac de pièces (comprenant les éléments suivants) :
 - Manuel du propriétaire
 - Fiche d'inscription du propriétaire
 - Sac contenant des buses à code-couleur
 - Entonnoir
4. Si des éléments sont absents de l'emballage, veuillez communiquer avec le service à la clientèle de Generac au 1-888-436-3722. Lorsque vous appelez afin de recevoir de l'assistance, veuillez avoir en main le numéro de modèle et le numéro indiqués sur l'étiquette d'informations.
5. Remplissez et envoyez la fiche d'inscription. Écrivez le numéro de modèle, le numéro de série et la date de l'achat dans le tableau se trouvant dans la section « Où nous trouver ».

ASSEMBLAGE

Lisez le manuel du propriétaire en entier avant d'effectuer l'assemblage. Si vous avez un problème avec l'assemblage de votre laveuse à pression, appelez le service à la clientèle de Generac au 1-888-436-3722. Lorsque vous appelez afin de recevoir de l'assistance, veuillez avoir en main le numéro de modèle et le numéro indiqués sur l'étiquette d'informations.

1. Placez la poignée (A) sur les supports de cette dernière (B). Poussez boutons du loquet (C) et laissez la poignée glisser en place. Le bouton verrouillera la poignée en place (figure 2).

Figure 2 — Raccorder la poignée

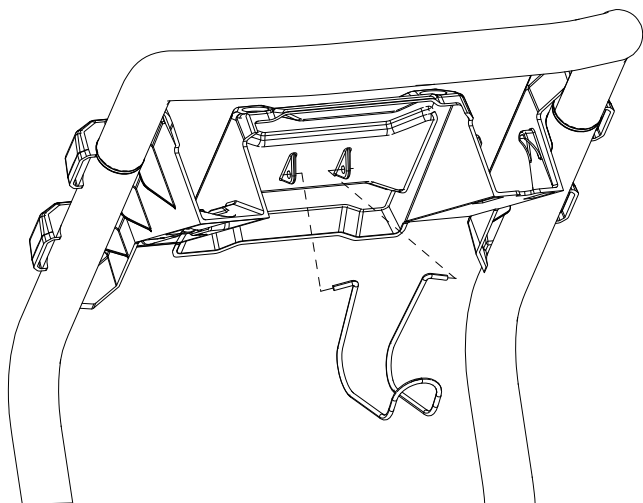


REMARQUE :

Il peut être nécessaire de déplacer les supports de la poignée d'un côté à l'autre afin d'aligner la poignée pour qu'elle glisse par-dessus les supports.

2. Installez le crochet à tuyau (figure 3).

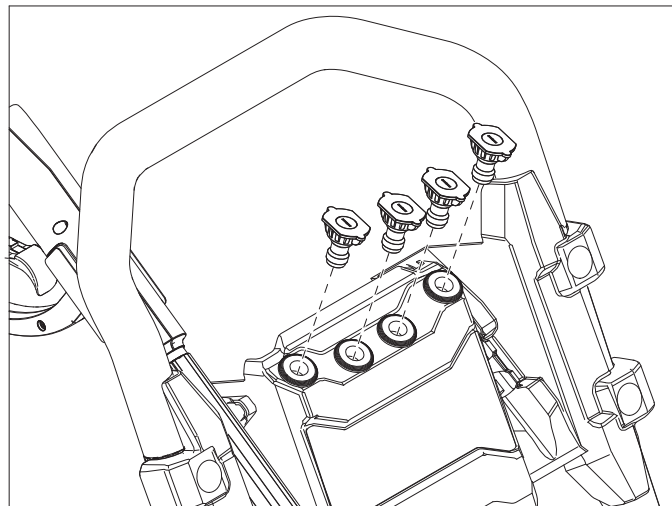
Figure 3 — Installer le crochet du tuyau



3. Insérez les buses à code couleur dans les espaces appropriés se trouvant dans la poignée (figure 4).

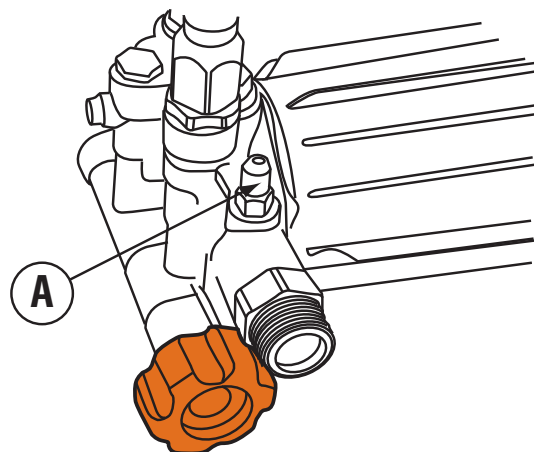
4. Placez la rallonge de pistolet de pulvérisation et de buse sur le support du pistolet de pulvérisation tel qu'illustré (figure 4).
5. Enroulez le tuyau à haute pression et suspendez-le sur le crochet.

Figure 4 — Insérer les buses



6. Fixez le tube de siphonnement à l'emplacement A (figure 5).

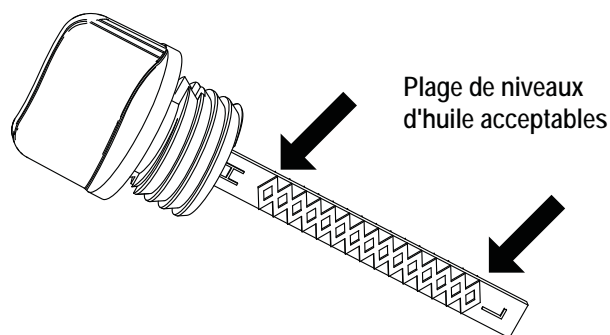
Figure 5 — Emplacement du tube de siphonnement



AJOUTER DE L'HUILE DE MOTEUR

1. Vérifiez que la laveuse à pression est posée sur une surface de niveau.
2. Nettoyez la zone entourant le bouchon de l'orifice de remplissage.
3. Retirez le bouchon de l'orifice de remplissage et essuyez la jauge pour qu'elle soit propre (figure 6).
4. À l'aide de l'entonnoir, versez l'huile lentement dans l'orifice de remplissage. Pour connaître les recommandations sur le type d'huile à utiliser, consultez la section Entretien.
5. Vérifiez de façon périodique jusqu'à ce que le niveau d'huile soit entre « L » et « H » sur la jauge. Insérez la jauge dans le collet de remplissage, mais ne la vissez pas.
6. Assurez-vous que l'huile est à un niveau approprié en vérifiant sur la jauge.
7. Remplacez et resserrez le bouchon de l'orifice de remplissage de l'huile.

Figure 6 — Jauge



REMARQUE :

Toute tentative de lancer ou de démarrer le moteur avant qu'il ait fait l'objet d'un entretien adéquat avec la quantité d'huile recommandée peut entraîner une panne de moteur.

AJOUTER DU CARBURANT

Le carburant doit répondre à ces exigences :

- De l'essence propre, fraîche et sans plomb.
- Un minimum de 87 octanes/indice d'octane de 87 (IOR de 91).
- Il est aussi possible d'utiliser de l'essence comportant jusqu'à 10 % d'éthanol (gasohol).

REMARQUE :

Évitez tout dommage à la laveuse à pression. Le non-respect du manuel du propriétaire quant aux recommandations en matière de carburant entraînera l'annulation de la garantie.

- N'utilisez PAS de l'essence non approuvée comme de l'E85.
- NE mélangez PAS de l'huile à l'essence.
- Ne modifiez PAS le moteur afin qu'il puisse fonctionner avec d'autres types de carburants.

Afin de protéger le système de carburant contre la gélification, mélangez du stabilisateur de carburant lors de l'ajout de carburant. Voir la section Entreposage. Les carburants ne sont pas tous semblables. Si vous rencontrez des difficultés lors du démarrage ou des problèmes de performance après avoir ajouté du carburant, changez de fournisseur ou de marque de carburant.

⚠ AVERTISSEMENT!



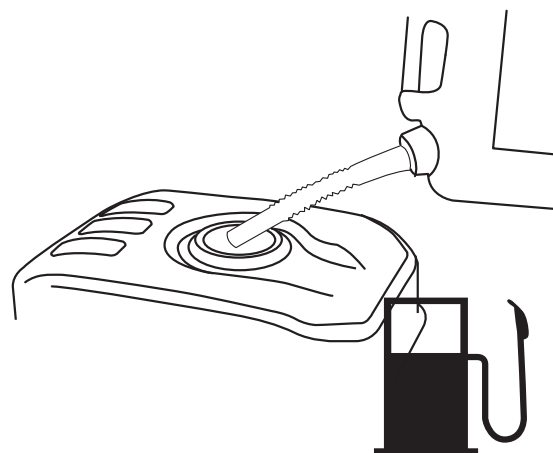
Le carburant et ses vapeurs sont extrêmement inflammables et explosifs. Un feu ou une explosion peut entraîner des brûlures graves et même la mort.

LORS DE L'AJOUT DE CARBURANT

- Mettez la laveuse à pression en position d'ARRÊT et laissez-la refroidir pendant deux (2) minutes avant de retirer le bouchon de l'orifice de remplissage du carburant. Dévissez doucement le bouchon afin d'éliminer la pression accumulée dans le réservoir.
 - Remplissez le réservoir de carburant à l'extérieur.
 - NE remplissez PAS trop le réservoir. Prévoyez de l'espace pour l'expansion du carburant.
 - Si une fuite de carburant se produit, attendez que le carburant se soit évaporé avant d'allumer le moteur.
 - Gardez le carburant à distance des étincelles, des flammes nues, des veilleuses et de toutes autres sources d'ignition.
 - N'ALLUMEZ PAS de cigarette et ne fumez pas.
1. Nettoyez la zone entourant le bouchon de l'orifice de remplissage; retirez le bouchon.

2. Ajoutez lentement de l'essence ordinaire sans plomb dans le réservoir de carburant. Faites attention à ne pas trop remplir le réservoir de carburant. Remplissez le réservoir jusqu'à la section inférieure du tamis, cela permettra de laisser de l'espace pour l'expansion du carburant (figure 7).
3. Remettez le bouchon de remplissage et attendez que tout le carburant déversé s'évapore avant de démarrer le moteur.

Figure 7 — Ajouter du carburant



RACCORDER LE TUYAU ET L'ALIMENTATION EN EAU À LA POMPE

REMARQUE :

NE faites PAS tourner la pompe sans que l'alimentation en eau soit raccordée et ouverte. Tout dommage à l'équipement causé par le non-respect de cette instruction entraînera l'annulation de la garantie.

REMARQUE :

Retirez et jetez le bouchon d'expédition de la prise d'eau de la pompe avant de raccorder le tuyau.

1. Faites circuler de l'eau à l'aide de votre boyau d'arrosage pendant 30 secondes afin d'éliminer tout débris.
2. Avant de raccorder le boyau d'arrosage à la prise d'eau, inspectez le tamis de l'entrée d'eau (A) (figure 8). Nettoyez le tamis s'il contient des débris ou faites le remplacer s'il est endommagé. NE faites PAS fonctionner la laveuse à pression si le tamis de l'entrée d'eau est endommagé.

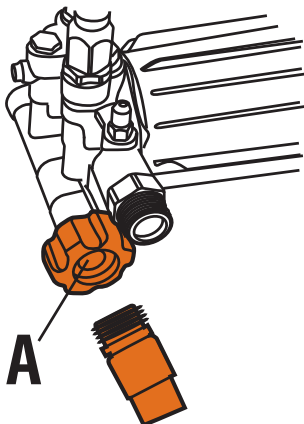
IMPORTANT : NE siphonnez PAS l'eau stagnante de l'alimentation en eau. Utilisez UNIQUEMENT de l'eau froide (à moins de 100 °F [37,77 °C]). L'alimentation en eau doit être adéquate afin d'assurer une alimentation supérieure à 3,8 gallons par minute (14,38 litres par minute) et une pression minimale de 30 psi.

REMARQUE :

L'utilisation d'une valve de retenue (valve d'isolement de casse-vide ou clapet antiretour) à l'entrée de la pompe peut causer des dommages à la pompe ou au raccord d'entrée.

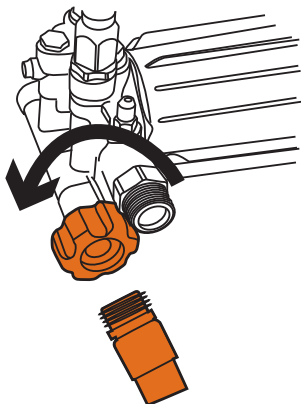
- Une longueur de tuyau d'arrosage d'au moins dix pieds (3,05 mètres) DOIT être libre de toute restriction entre l'entrée de la laveuse à pression et tout dispositif, comme une valve d'isolement de casse-vide ou un clapet antiretour.
- Tout dommage à l'équipement causé par le non-respect de cette instruction entraînera l'annulation de la garantie.

Figure 8 — Inspecter le tamis de l'entrée d'eau



3. Raccordez le boyau d'arrosage (sa longueur ne doit pas dépasser 50 pieds [15,24 mètres]) à la prise d'eau (figure 9). Serrez à la main.

Figure 9 — Raccorder le boyau d'arrosage



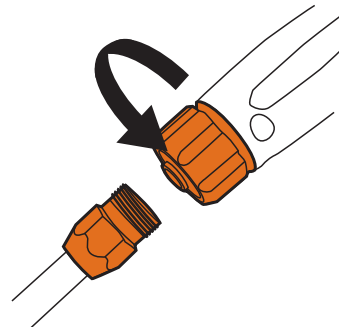
⚠ AVERTISSEMENT!

Risque de blessure aux yeux. Le jet de pulvérisation peut éclabousser ou propulser des objets.

- Portez toujours des lunettes à coques étanches lors de l'utilisation de l'équipement, ou à proximité de l'équipement lors de son utilisation.
- Assurez-vous de porter des lunettes de protection à coques étanches avant de démarrer la laveuse à pression.
- NE remplacez JAMAIS des lunettes à coques étanches par des lunettes de sécurité.

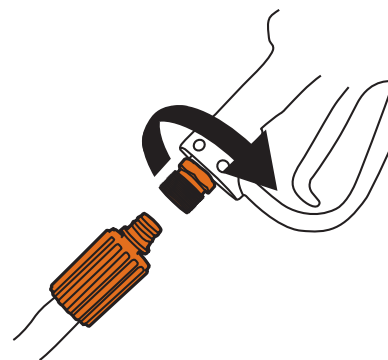
4. Raccorder la lance au pistolet de pulvérisation (figure 10). Serrez à la main.

Figure 10 — Raccorder la lance



5. Raccordez l'une des extrémités du tuyau à haute pression à la base du pistolet de pulvérisation (figure 11). Serrez à la main.

Figure 11 — Raccorder le tuyau au pistolet de pulvérisation



⚠ DANGER!

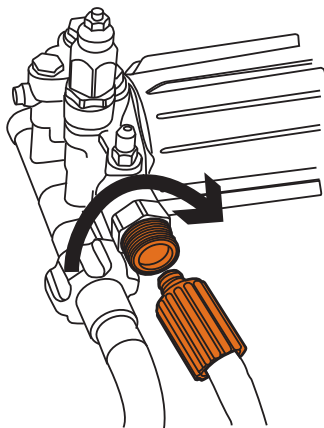
Le jet d'eau à haute pression produit par cet appareil peut déchirer la peau et les tissus sous-cutanés, entraînant des blessures graves et possiblement l'amputation.

- NE raccordez JAMAIS le tuyau à haute pression à la lance.
 - Veillez à ce que le tuyau à haute pression reste raccordé à la pompe et au pistolet de pulvérisation lorsque le système est sous pression.
 - Soyez toujours certain que le pistolet de pulvérisation, les buses et les accessoires sont correctement raccordés.
6. Raccordez le tuyau à haute pression à la pompe (déroulez le tuyau avant de le raccorder à la pompe ou au pistolet de pulvérisation) (figure 12). Serrez à la main.

⚠ MISE EN GARDE!

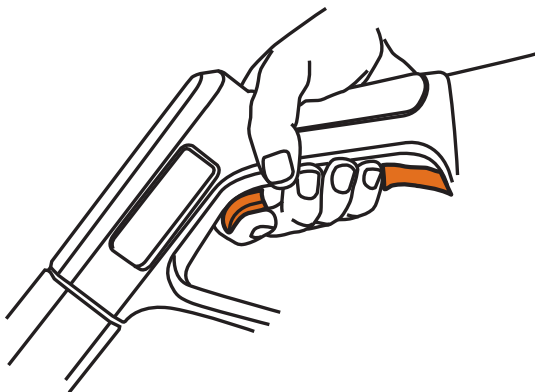
Le tuyau peut être endommagé s'il entre en contact avec un moteur ou un silencieux chaud.

Figure 12 — Raccorder le tuyau à haute pression à la pompe



7. OUVREZ l'alimentation en eau, puis appuyez sur le déclencheur afin de purger l'air du système de pompe (figure 13).

Figure 13 — Appuyer sur le déclencheur



COMMENT UTILISER LES BUSES

La fonction de branchement rapide de la lance à buse vous permet de remplacer la buse par une autre. Les buses peuvent être remplacées lorsque la laveuse à pression fonctionne une fois que le déclencheur du pistolet de pulvérisation est verrouillé en position sécurisée. Les buses font varier la pression et les cycles de pulvérisation, tel qu'illustré.

- Pour un nettoyage d'une efficacité optimale, maintenez la buse à une distance de 8 à 24 po (20 à 61 cm) de la surface à nettoyer.
- Si vous approchez trop la buse, particulièrement lors de l'utilisation d'une buse à haute pression, vous pourriez endommager la surface.

⚠ DANGER!

Le jet d'eau à haute pression produit par cet appareil peut déchirer la peau et les tissus sous-cutanés, entraînant des blessures graves et possiblement l'amputation.

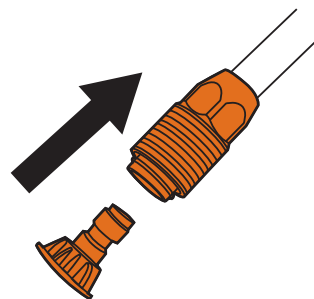
- NE changez JAMAIS de buse sans que le verrou de déclencheur ne soit enclenché sur le pistolet à pulvérisation.
- NE faites JAMAIS tourner la buse lors de la pulvérisation.

BUSE	PSI	GAL/MIN
Soufflage	2800	2,4
Lavage	2600	2,5

Suivez ces instructions pour changer de buse :

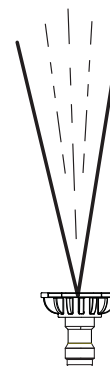
1. Tirez sur le collier qui se trouve sur le raccord rapide (figure 14) et retirez les buses présentes. Rangez les buses dans le support fourni sur l'accessoire d'entreposage.

Figure 14 — Buses



2. Choisissez la buse désirée.
3. Tirez sur le collier, insérez la buse et relâchez le collier. Tirez sur la buse pour vous assurer qu'elle est bien en place.
 - Pour un rinçage délicat (pression faible et débit plus élevé), pour le nettoyage en douceur de voitures, camions, bateaux, véhicules récréatifs, meubles de terrasses, équipement de jardin, etc., choisissez la buse blanche (figure 15).

Figure 15 — Buse à pression de lavage (blanc)



- Pour un rinçage général (pression moyenne et débit moyen) idéal pour la plupart des nettoyages comme celui du revêtement extérieur d'une maison, des terrasses de briques, des terrasses de bois, des allées et des trottoirs, choisissez la buse verte (figure 16).

Figure 16 — Buse à pression de nettoyage (vert)



- Pour un rinçage maximal (pression élevée et débit plus faible), pour les marques tenaces ou pour les surfaces difficiles à atteindre comme les surfaces au deuxième étage, l'enlèvement de peinture, les taches d'huile, l'enlèvement de rouille ou d'autres substances coriaces (goudron, gomme à mâcher, graisse, cire, etc.), choisissez la buse rouge (figure 17).

⚠ MISE EN GARDE!

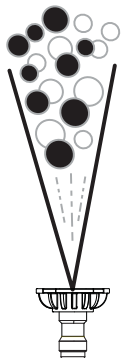
- ⚠ Cet embout (buse rouge) peut endommager la surface de travail si elle est maintenue trop près ou au même endroit pendant une longue période.

Figure 17 — Buse à pression de soufflage (rouge)



- Lors de l'application de détergent, n'utilisez que la buse noire (figure 18). N'utilisez que des détergents ou des savons pouvant être utilisés de manière sécuritaire avec la laveuse à pression afin d'aider à dissoudre la crasse ou les taches tenaces sur une grande variété de surface.

Figure 18 — Buse à détergent (noire)



LAVAGE ET APPLICATION DE DÉTERGENT

⚠ MISE EN GARDE!

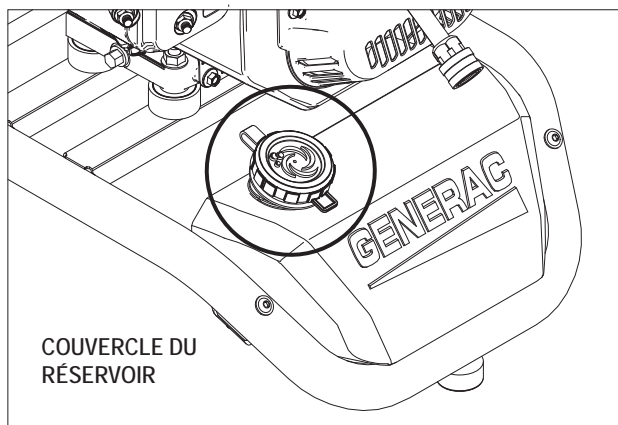
- ⚠ Les produits chimiques peuvent causer des lésions corporelles et des dommages matériels.

- N'utilisez JAMAIS de liquide caustique avec votre laveuse à pression.
- Utilisez UNIQUEMENT des détergents ou des savons pouvant être utilisés de manière sécuritaire avec la laveuse à pression. Suivez l'ensemble des instructions du fabricant.

Veillez suivre les étapes suivantes afin d'appliquer du détergent :

1. Vérifiez l'utilisation des buses.
2. Ouvrez le couvercle du contenant (figure 19).
3. Préparez la solution détergente telle que requise pour le travail.

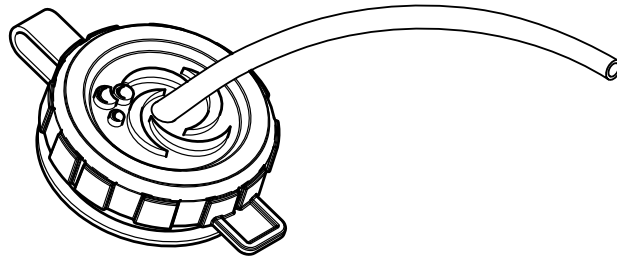
Figure 19 — Réservoir de produits chimiques et couvercle



COUVERCLE DU RÉSERVOIR

4. Insérez l'extrémité à filtre du tube de siphonnement dans le trou du couvercle (figure 20).
5. Assurez-vous que le tube de siphonnement demeure complètement immergé dans le détergent.

Figure 20 — Installer le tube de siphonnement



REMARQUE :

Assurez-vous que le filtre demeure complètement immergé dans le détergent lors de l'application de détergent.

REMARQUE :

Le contact avec le silencieux chaud peut endommager le tube de siphonnement du détergent.

- Lors de l'insertion du siphon dans une bouteille de détergent liquide, placez le tube de manière à ce qu'il n'entre pas accidentellement en contact avec le silencieux chaud.

6. Assurez-vous que la buse noire à détergent est installée.

REMARQUE :

Le détergent ne peut pas être utilisé avec les buses à haute pression (jaune, blanche, verte ou rouge). Utilisez uniquement la buse noire pour appliquer des détergents.

7. Vérifiez que les instructions de configuration ont été suivies.

REMARQUE :

Vous devez raccorder tous les tuyaux avant de démarrer le moteur.

- Démarrer le moteur sans que tous les tuyaux soient raccordés et sans que l'alimentation en eau soit OUVERTE endommagera la pompe.
 - Tout dommage à l'équipement causé par le non-respect de cette instruction entraînera l'annulation de la garantie.
8. Démarrez le moteur en suivant les instructions de la section « Comment démarrer votre laveuse à pression ».
9. Appliquez du détergent sur une surface sèche, en commençant par la partie inférieure de la zone à laver, et procédez en montant avec de longs tracés égaux et se chevauchant.
10. Laissez le détergent être absorbé par la surface pendant 3 à 5 minutes avant de laver et rincer. Réappliquez au besoin afin d'éviter que la surface ne sèche. NE laissez PAS le détergent sécher sur la surface nettoyée (afin d'éviter les traînées).

IMPORTANT : Vous devez vidanger le système de siphonnement du détergent après chaque utilisation en suivant les instructions qui se trouvent dans la section « Nettoyage du tube de siphonnement du détergent ».

RINÇAGE DE LA LAVEUSE À PRESSION

1. Retirez la buse noire à détergent de la lance.
2. Sélectionnez et installez la buse à haute pression souhaitée en suivant les instructions de la section « Comment utiliser les buses ».
3. Pointez le pistolet de pulvérisation dans une direction sécuritaire et loin des gens, des animaux et des plantes. Appuyez sur le déclencheur afin de purger le système de tout produit chimique résiduel.
4. Maintenez le pistolet de pulvérisation à une bonne distance de la zone que vous prévoyez laver.

⚠ AVERTISSEMENT!



L'effet de rebond du pistolet de pulvérisation pourrait vous faire chuter.

- N'utilisez l'appareil que sur une surface de niveau.
 - N'utilisez pas cet équipement sur une surface surélevée afin de prévenir le risque de chutes majeures.
- Soyez extrêmement prudent si vous devez utiliser la laveuse à pression sur une échelle, un échafaudage ou tout autre endroit similaire.
- Tenez le pistolet de pulvérisation fermement à deux mains lorsque vous utilisez le jet à haute pression afin d'éviter de vous blesser en raison de l'effet de rebond du pistolet.
5. Appliquez le jet à haute pression sur une petite zone et vérifiez la présence de dommage sur la surface. Si aucun dommage n'est apparu, vous pouvez tenir pour acquis qu'il est approprié de continuer à rincer.
6. Commencez sur la partie supérieure de la zone à rincer, puis procédez vers le bas avec les mêmes tracés se chevauchant que vous avez utilisé lors du nettoyage.

NETTOYAGE DU TUBE DE SIPHONNEMENT DU DÉTERGENT

Si vous avez utilisé le tube de siphonnement du détergent, vous devez le nettoyer avec de l'eau claire avant d'arrêter le moteur.

1. Placez le tube/filtre de siphonnement du détergent dans un seau rempli d'eau propre.
2. Retirez la buse à haute pression de la rallonge de buse.
3. Choisissez la buse à détergent et installez-la en suivant les instructions de la section « Comment utiliser les buses ».
4. Nettoyez pendant 1 à 2 minutes.
5. Arrêtez le moteur en suivant les instructions de la section « Comment arrêter la laveuse à pression et fermer l'alimentation en eau ».
6. Orientez TOUJOURS le pistolet de pulvérisation dans une direction sécuritaire et appuyez sur le déclencheur pour évacuer l'eau sous haute pression restante. Enclenchez le verrou du déclencheur lorsqu'il n'est pas utilisé.

IMPORTANT : Le pistolet de pulvérisation emprisonne de l'eau sous haute pression, et ce même lorsque le moteur est arrêté et que l'alimentation en eau n'est pas raccordée.

⚠ DANGER!



Le jet d'eau à haute pression produit par cet appareil peut déchirer la peau et les tissus sous-cutanés, entraînant des blessures graves et possiblement l'amputation. Le pistolet de pulvérisation emprisonne de l'eau sous haute pression, même lorsque le moteur est éteint et que l'alimentation en eau est coupée, ce qui peut causer des blessures.

- Veillez à ce que le tuyau à haute pression reste raccordé à la pompe et au pistolet de pulvérisation lorsque le système est sous pression.
- Orientez TOUJOURS le pistolet de pulvérisation dans une direction sécuritaire et appuyez sur le déclencheur pour évacuer l'eau sous haute pression chaque fois que vous arrêtez le moteur. Enclenchez le verrou du déclencheur lorsqu'il n'est pas utilisé.

FONCTIONNEMENT

Si vous rencontrez des difficultés lors de l'utilisation de votre laveuse à pression, veuillez communiquer avec le service à la clientèle de Generac au 1-888-436-3722.

EMPLACEMENT DE LA LAVEUSE À PRESSION

Dégagements et circulation d'air

⚠ DANGER!



Le moteur en marche produit du monoxyde de carbone, un gaz inodore, incolore et toxique. Respirer du monoxyde de carbone peut causer des maux de tête, de la fatigue, des étourdissements, des vomissements, de la confusion, des crises épileptiques, des nausées, l'évanouissement ou la mort. Pour plus d'informations, consultez les avertissements concernant le monoxyde de carbone dans la section « Règles de sécurité ».

Placez la laveuse à pression à l'extérieur, dans un endroit où les gaz d'échappement mortels ne s'accumuleront pas. Ne placez JAMAIS la laveuse à pression dans un endroit où les gaz d'échappement pourraient s'accumuler et entrer ou être aspirés dans un immeuble potentiellement occupé. Assurez-vous que les gaz d'échappement sont maintenus loin des fenêtres, des portes, des conduits d'aération ou d'autres ouvertures qui pourraient permettre l'accumulation de gaz dans un endroit restreint. Les vents dominants et les courants d'air devraient être pris en considération lors du positionnement de la laveuse à pression (figure 21).

Fonctionnement

- N'utilisez la laveuse à pression qu'à l'EXTÉRIEUR.
- Veillez à ce que les gaz d'échappement ne pénètrent pas dans une zone confinée par une fenêtre, une porte, un conduit d'aération ou autres ouvertures.
- NE JAMAIS démarrer ni faire tourner le moteur à l'intérieur, dans un véhicule ou un espace fermé, MÊME SI les fenêtres et les portes sont ouvertes.

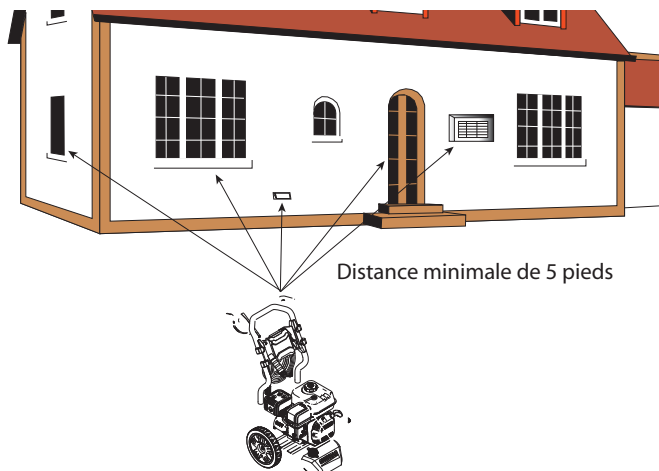
⚠ AVERTISSEMENT!



La chaleur et les gaz du silencieux peuvent enflammer des combustibles ou des structures, ou endommager le réservoir de carburant et causer un incendie.

- Maintenez un dégagement d'au moins 5 pi (152 cm) sur tous les côtés de la laveuse à pression, dont un dégagement vertical au-dessus de l'appareil.

Figure 21 — Dégagements par rapport aux immeubles



LISTE DE CONTRÔLE AVANT DE DÉMARRER LE MOTEUR

1. Assurez-vous de lire et de comprendre les sections « Sécurité de l'utilisateur » et « Utilisation » avant d'utiliser la laveuse à pression.
2. Vérifiez que le niveau d'huile du carter du moteur est suffisant et que du carburant a été ajouté dans le réservoir de carburant.
3. Passez en revue l'assemblage de l'appareil, puis assurez-vous que les raccords sont adéquatement maintenus et que le tuyau à haute pression ne présente aucun pli, coupure ou dommage.
4. Assurez-vous de la présence d'une alimentation en eau appropriée à une pression adéquate, puis retirez tout débris des filtres et assurez-vous que l'air a été purgé du système.
5. Vérifiez que l'appareil est bien en place sur un terrain à niveau et que le périmètre de la zone de travail est dégagé.

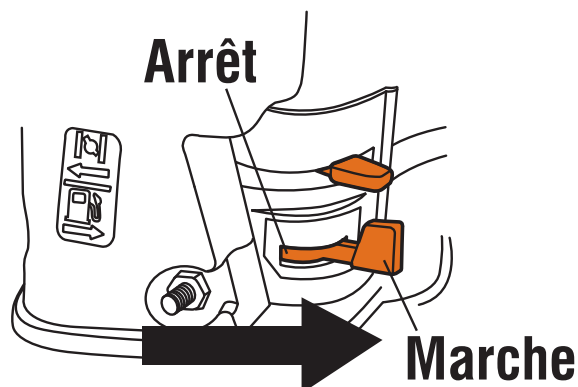
COMMENT DÉMARRER VOTRE LAVEUSE À PRESSION

REMARQUE :

NE faites PAS tourner la pompe sans que l'alimentation en eau soit raccordée et ouverte. Tout dommage à l'équipement causé par le non-respect de cette instruction entraînera l'annulation de la garantie.

1. Déplacez le robinet à carburant à la position MARCHÉ (figure 22).

Figure 22 — Robinet à carburant

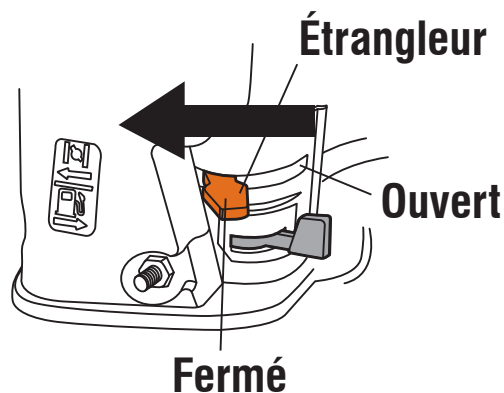


2. Déplacez le levier d'étrangleur à la position « FERMÉ » (figure 23).

REMARQUE :

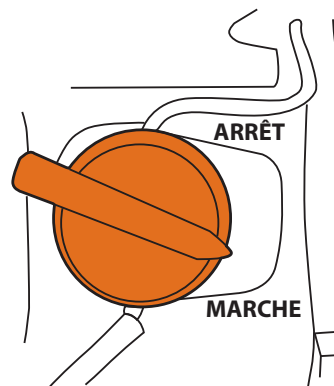
Pour que le moteur soit réchauffé, assurez-vous que le levier d'étrangleur est en position « OUVERT ».

Figure 23 — Levier d'étrangleur



3. Faites passer l'interrupteur du moteur à la position « MARCHÉ » (figure 24).

Figure 24 — La position MARCHÉ



IMPORTANT : Assurez-vous de porter des lunettes de protection à coques étanches avant de démarrer la laveuse à pression.

⚠ AVERTISSEMENT!

Risque de blessure aux yeux. Le jet de pulvérisation peut éclabousser ou propulser des objets.

- Portez toujours des lunettes à coques étanches lors de l'utilisation de l'équipement, ou à proximité de l'équipement lors de son utilisation.
 - Assurez-vous de porter des lunettes de protection à coques étanches avant de démarrer la laveuse à pression.
 - NE remplacez JAMAIS des lunettes à coques étanches par des lunettes de sécurité.
4. Placez votre pied sur le coussinet à pied ou gardez l'appareil en place d'une autre façon lorsque vous tirez le lanceur à rappel.
 5. Lors du démarrage du moteur, agrippez la poignée de démarrage (figure 25) et tirez lentement jusqu'à ce que vous sentiez une résistance. Tirez ensuite rapidement afin de démarrer le moteur.

Figure 25 — Démarrer le moteur

Poignée de démarrage



⚠ AVERTISSEMENT!

L'effet de rebond (rétraction rapide) de la corde du démarreur peut entraîner des blessures corporelles. L'effet de rebond entraînera la main et le bras vers l'appareil plus rapidement que vous ne pourriez le lâcher. Cela pourrait entraîner des fractures des os, des ecchymoses ou des entorses.

- NE tirez JAMAIS sur la corde du démarreur sans au préalable avoir relâché la pression contenue dans le pistolet de pulvérisation.
 - Lorsque vous allumez le moteur, tirez doucement sur la corde jusqu'à ce que vous sentiez une résistance, puis tirez rapidement pour éviter l'effet de rebond.
 - Après chaque tentative de démarrage où le moteur n'a pas démarré, pointez toujours le pistolet de pulvérisation dans une direction sécuritaire et appuyez sur le déclencheur du pistolet pour relâcher la haute pression.
 - Tenez le pistolet de pulvérisation fermement à deux mains lorsque vous utilisez le jet à haute pression afin d'éviter de vous blesser en raison de l'effet de rebond du pistolet.
6. Retournez lentement la poignée de démarrage. NE laissez PAS la corde revenir contre le démarreur.
 7. Lorsque le moteur démarre, déplacez lentement le levier d'étrangleur à la position « OUVERT » pendant que le moteur se réchauffe. Si le moteur hésite, déplacez le levier d'étrangleur à la position « FERMÉ », puis à la position « OUVERT » (figure 26).

Figure 26 — Levier d'étrangleur



8. Après chaque tentative de démarrage au cours de laquelle le moteur ne démarre pas, pointez le pistolet de pulvérisation vers une direction sécuritaire et appuyez sur le déclencheur du pistolet de pulvérisation afin de libérer la haute pression.
9. Si le moteur hésite à démarrer après que vous ayez tiré six fois, déplacez le levier d'étrangleur à la position « OUVERT » et répétez les étapes 6 à 9.

⚠ DANGER!

Le jet d'eau à haute pression produit par cet appareil peut déchirer la peau et les tissus sous-cutanés, entraînant des blessures graves et possiblement l'amputation. Le pistolet de pulvérisation emprisonne de l'eau sous haute pression, même lorsque le moteur est éteint et que l'alimentation en eau est coupée, ce qui peut causer des blessures.

- NE permettez PAS aux ENFANTS d'utiliser la laveuse à pression ou de jouer à proximité de celle-ci.
- Veillez à ce que le tuyau à haute pression reste raccordé à la pompe et au pistolet de pulvérisation lorsque le système est sous pression.
- Ne pointez JAMAIS le pistolet de pulvérisation vers des gens, des animaux ou des appareils électriques. Cela pourrait causer des blessures graves.
- NE verrouillez PAS le pistolet de pulvérisation en position ouverte.
- Ne laissez PAS le pistolet de pulvérisation sans surveillance lorsque la machine fonctionne.
- N'utilisez JAMAIS un pistolet de pulvérisation qui n'est pas muni d'un verrou ou d'un garde pour le déclencheur en place et en état de fonctionner.
- Soyez toujours certain que le pistolet de pulvérisation, les buses et les accessoires sont correctement raccordés.

⚠ AVERTISSEMENT!

Le contact avec la région du silencieux peut causer des brûlures graves. La chaleur et les gaz du silencieux peuvent enflammer des combustibles ou des structures, ou endommager le réservoir de carburant et causer un incendie.

- NE touchez PAS aux pièces chaudes et ÉVITEZ les gaz d'échappement chauds.
- Laissez l'équipement refroidir avant d'y toucher.
- Maintenez un dégagement d'au moins 5 pi (152 cm) sur tous les côtés de la laveuse à pression, dont un dégagement vertical au-dessus de l'appareil.
- Le fait d'utiliser ou d'opérer l'appareil sous un couvert forestier ou dans un environnement de brousse ou d'herbes constitue une violation de l'article 4442 du California Public Resource Code (Code des ressources publiques de l'État de la Californie), à moins que le système d'échappement de l'appareil ne soit doté d'un pare-étincelles maintenu en état de marche effectif, comme énoncé dans l'article 4442. D'autres juridictions fédérales ou étatiques peuvent avoir des lois similaires.
- Les pièces de rechange doivent être les mêmes que les pièces d'origine et elles doivent être installées de la même façon.

SYSTÈME DE REFROIDISSEMENT AUTOMATIQUE (DÉCHARGE THERMIQUE)

Si vous faites tourner le moteur de votre laveuse à pression pendant 3 à 5 minutes sans appuyer sur le déclencheur du pistolet de pulvérisation, l'eau circulant dans la pompe pourrait atteindre des températures supérieures à 125 °F (51,67 °C). Le système assure le refroidissement de la pompe en **déversant l'eau chaude sur le sol**.

COMMENT ARRÊTER VOTRE LAVEUSE À PRESSION

1. Relâchez le déclencheur du pistolet de pulvérisation.
2. Déplacez l'interrupteur MARCHE/ARRÊT du moteur à la position « ARRÊT ».
3. Pointez TOUJOURS le pistolet de pulvérisation dans une direction sécuritaire et appuyez sur le déclencheur du pistolet de pulvérisation afin de libérer l'eau sous haute pression. Enclenchez le verrou du déclencheur lorsqu'il n'est pas utilisé.
4. FERMEZ l'alimentation en eau.

IMPORTANT : Le pistolet de pulvérisation emprisonne de l'eau sous haute pression, et ce même lorsque le moteur est arrêté et que l'alimentation en eau n'est pas raccordée.

⚠ DANGER!



Le jet d'eau à haute pression produit par cet appareil peut déchirer la peau et les tissus sous-cutanés, entraînant des blessures graves et possiblement l'amputation. Le pistolet de pulvérisation emprisonne de l'eau sous haute pression, même lorsque le moteur est éteint et que l'alimentation en eau est coupée, ce qui peut causer des blessures.

- Veillez à ce que le tuyau à haute pression reste raccordé à la pompe et au pistolet de pulvérisation lorsque le système est sous pression.
- Pointez TOUJOURS le pistolet de pulvérisation dans une direction sécuritaire et appuyez sur le déclencheur du pistolet de pulvérisation pour éliminer la haute pression chaque fois que vous éteignez l'appareil. Enclenchez le verrou du déclencheur lorsqu'il n'est pas utilisé.

RECOMMANDATIONS EN MATIÈRE D'ENTRETIEN

Un entretien régulier fera en sorte d'améliorer les performances et d'allonger la durée de vie de la laveuse à pression. Veuillez consulter un détaillant agréé afin d'obtenir du service.

La garantie de la laveuse à pression ne couvre pas les éléments ayant été soumis à une utilisation abusive ou à la négligence de l'utilisateur. Afin de profiter de l'entière valeur de la garantie, l'utilisateur doit entretenir la laveuse à pression comme prescrit dans ce manuel, notamment en respectant l'entreposage approprié décrit dans les sections « Entreposage hivernal » et « Entreposage à long terme ».

REMARQUE :

Si vous avez questions sur le remplacement de composants de votre laveuse à pression, veuillez composer le 1-888-436-3722 afin d'obtenir de l'assistance.

Certains ajustements devront être effectués périodiquement afin d'entretenir adéquatement votre laveuse à pression.

L'entretien et l'ensemble des ajustements devraient être effectués au moins une fois par saison. Suivez les exigences prescrites par le tableau du Programme d'entretien.

REMARQUE :

Une fois par année, vous devriez nettoyer ou remplacer la bougie d'allumage, nettoyer ou remplacer le filtre à air et vérifier l'assemblage du pistolet de pulvérisation et de la rallonge à buse afin d'y détecter la présence d'usure. Une nouvelle bougie d'allumage et un filtre à air propre assurent un mélange carburé approprié et font en sorte que votre moteur fonctionne mieux et dure plus longtemps.

PROGRAMME D'ENTRETIEN

Suivez les intervalles horaires ou du programme d'entretien, selon la première occurrence. Il est nécessaire de procéder à un entretien plus fréquent en cas d'utilisation dans des conditions difficiles.

5 premières heures
Changer l'huile du moteur
Toutes les 8 heures ou quotidiennement
Vérifier/nettoyer le filtre de la prise d'eau*
Vérifier le tuyau à haute pression
Vérifier le tuyau/filtre de siphonnement du détergent
Vérifier le pistolet de pulvérisation et l'assemblage afin d'y détecter la présence de fuites
Nettoyer les débris
Vérifier le niveau d'huile du moteur
À toutes les 20 heures ou chaque saison
Changer l'huile du moteur**
Toutes les 50 heures ou chaque saison
Vérifier/nettoyer le filtre à air**
Inspecter le silencieux et le pare-étincelles*
Toutes les 100 heures ou chaque saison
Entretenir la bougie d'allumage
* Nettoyer si obstrué. Remplacer s'il est perforé ou déchiré.
** Entretenir plus fréquemment si l'appareil est utilisé dans un environnement sale ou poussiéreux.

HUILE DE LA POMPE

NE tenter AUCUN entretien de l'huile de cette pompe. La pompe a été pré-lubrifiée et scellée à l'usine; aucun entretien additionnel n'est requis pendant la durée de vie de la pompe.

CONTRÔLE DES ÉMISSIONS

L'entretien, le remplacement ou la réparation des dispositifs et systèmes de contrôle des émissions peuvent être effectués par tout établissement ou individu spécialisé en réparation de moteurs non routiers. Cependant, pour obtenir un service lié au contrôle des émissions « sans frais », le travail doit être effectué par un détaillant agréé par le fabricant. Consultez la garantie en matière d'émissions.

ENTRETIEN DE LA LAVEUSE À PRESSION

Nettoyer les débris

Retirez les débris accumulés dans le système de nettoyage quotidiennement ou avant chaque utilisation. Veillez à garder les liens, les ressorts et les commandes propres. Veillez à garder la zone autour et derrière le silencieux exempte de tout débris combustible. Inspectez les fentes d'air de refroidissement et les ouvertures de la laveuse à pression. Ces ouvertures doivent toujours être propres et non obstruées.

Les pièces de la laveuse à pression doivent toujours être propres afin de réduire les risques de surchauffe et d'ignition des débris accumulés.

- Utilisez un linge humide pour nettoyer les surfaces extérieures.

REMARQUE :

Un traitement inapproprié de la laveuse à pression peut entraîner des dommages et réduire sa durée de vie.

- N'insérez AUCUN objet dans les fentes de refroidissement.
- Utilisez une brosse à soies souples pour éliminer la saleté, l'huile ou autre substance collée.
- Utilisez un aspirateur pour éliminer la saleté et les débris volatiles.

VÉRIFIER ET NETTOYER LE TAMIS DE L'ENTRÉE D'EAU

Examinez le tamis de l'entrée d'eau de la pompe. Nettoyez le tamis s'il est engorgé, ou remplacez-le s'il est endommagé.

VÉRIFIER LES TUYAUX À HAUTE PRESSION

Les tuyaux flexibles à haute pression peuvent subir des fuites dues à l'usure, à la formation de plis ou à une utilisation abusive. Inspectez les tuyaux flexibles avant chaque utilisation. Vérifiez la présence de coupures, de fuites, d'usure abrasive ou de renflement du revêtement, de dommages ou de mouvement des raccords. Si vous constatez l'existence de l'un de ces phénomènes, remplacez immédiatement le tuyau.

⚠ DANGER!



Le jet d'eau à haute pression produit par cet appareil peut déchirer la peau et les tissus sous-cutanés, entraînant des blessures graves et possiblement l'amputation.

- NE réparez JAMAIS le tuyau à haute pression. Remplacez-le.
- Le tuyau de remplacement DOIT répondre aux normes en matière de pression nominale de l'appareil ou les dépasser.

VÉRIFIER LE TUBE DE SIPHONNEMENT DU DÉTERGENT

Examinez le filtre du tube du détergent et nettoyez-le s'il est engorgé. Le tube doit être fermement ajusté au raccord cannelé. Vérifiez la présence de fuites ou d'usure sur le tube. Remplacez le filtre ou le tube si l'un d'eux est endommagé.

VÉRIFIER LE PISTOLET DE PULVÉRISATION

Examinez le raccord du tuyau flexible au pistolet de pulvérisation et assurez-vous qu'il soit bien fixé. Testez le déclencheur en y appliquant une pression; il se « décompresse » et reprend sa position initiale quand vous le relâchez. Si le déclencheur ne se « décompresse » pas, remplacez immédiatement le pistolet de pulvérisation.

ENTRETIEN DE LA BUSE

Une pression à la pompe excessive peut entraîner une sensation d'impulsion lorsque vous appuyez sur le déclencheur du pistolet de pulvérisation. La cause principale d'une pression excessive à la pompe est une buse engorgée ou restreinte par des corps étrangers comme de la poussière, etc. Pour corriger le problème, nettoyez immédiatement la buse en suivant ces instructions :

1. Éteignez le moteur et coupez l'alimentation en eau.
2. Orientez TOUJOURS le pistolet de pulvérisation dans une direction sécuritaire et appuyez sur le déclencheur pour évacuer l'eau sous haute pression restante.

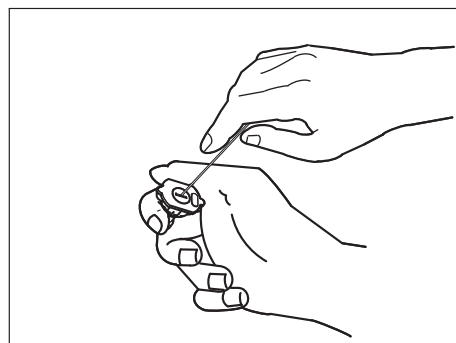
⚠ DANGER!



Le jet d'eau à haute pression produit par cet appareil peut déchirer la peau et les tissus sous-cutanés, entraînant des blessures graves et possiblement l'amputation. Le pistolet de pulvérisation emprisonne de l'eau sous haute pression, même lorsque le moteur est éteint et que l'alimentation en eau est coupée, ce qui peut causer des blessures.

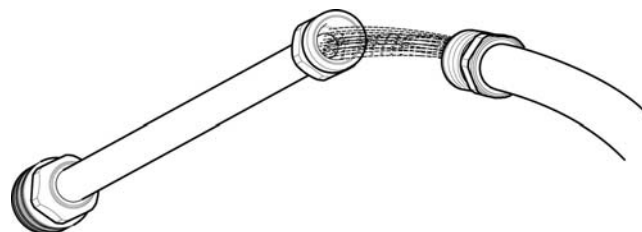
- Veillez à ce que le tuyau à haute pression reste raccordé à la pompe et au pistolet de pulvérisation lorsque le système est sous pression.
 - Orientez TOUJOURS le pistolet de pulvérisation dans une direction sécuritaire et appuyez sur le déclencheur du pistolet pour évacuer la haute pression chaque fois que vous éteignez le moteur. Enclenchez le verrou du déclencheur lorsqu'il n'est pas utilisé.
3. Retirez la buse de l'extrémité de la rallonge de la buse.
 4. Utilisez un petit trombone pour retirer tout corps étranger engorgeant ou restreignant la buse (figure 27).

Figure 27 — Retirer un corps étranger



5. Retirez la lance du pistolet de pulvérisation.
6. Retirez les débris additionnels en faisant circuler de l'eau à travers la lance à l'aide d'un boyau d'arrosage (figure 28). Rincez en faisant circuler de l'eau pendant 30 à 60 secondes.
7. Réinstallez la buse sur la lance.
8. Rebranchez la lance sur le pistolet de pulvérisation.

Figure 28 — Rincer la lance



9. Veillez à ce que le boyau d'arrosage soit raccordé à la prise d'eau de la pompe. Assurez-vous que le tuyau à haute pression est raccordé au pistolet de pulvérisation et à la pompe. Ouvrez l'alimentation en eau.
10. Démarrez le moteur en suivant les instructions de la section « Comment démarrer votre laveuse à pression ».
11. Testez la laveuse à pression en la faisant fonctionner avec chacune des buses à branchement rapide.

ENTRETIEN DU MOTEUR

⚠ AVERTISSEMENT!



Une formation non intentionnelle d'étincelles peut entraîner un feu ou un choc électrique.

LORSQUE VOUS EFFECTUEZ DES AJUSTEMENTS OU DES RÉPARATIONS SUR VOTRE LAVEUSE À PRESSION

- Débranchez le câble d'allumage de la bougie d'allumage et placez-le de manière à ce qu'il ne puisse pas entrer en contact avec la bougie.

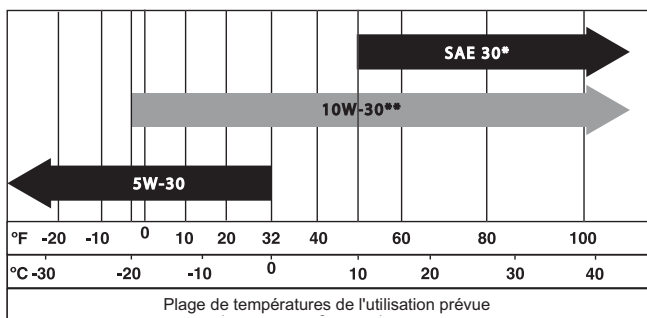
LORSQUE VOUS TESTEZ L'ALLUMAGE DU MOTEUR

- Utilisez un testeur de bougie d'allumage approuvé.
- NE vérifiez PAS l'allumage si la bougie d'allumage a été retirée.

RECOMMANDATIONS EN MATIÈRE D'HUILE DE MOTEUR

Nous recommandons l'utilisation d'huiles détergentes de haute qualité si elles sont conformes aux normes de catégorie d'utilisation SF, SG, SH, SJ ou plus élevées. N'UTILISEZ AUCUN additif spécial.

Le niveau de viscosité approprié de l'huile est déterminé par les températures extérieures. Utilisez la charte pour choisir le niveau de viscosité correspondant le mieux à la plage de températures de l'utilisation prévue.



* L'utilisation d'une huile SAE 30 à une température de moins de 50 °F (10 °C) rendra le démarrage de l'appareil difficile.

** L'utilisation d'une huile 10W30 à une température de plus de 80 °F (27 °C) peut accroître la consommation d'huile de l'appareil. Vérifiez le niveau d'huile plus fréquemment.

REMARQUE :

Une huile synthétique répondant aux marques d'homologation ILSAC GF-2, API et dotée de la mention « Économise l'énergie SJ/CF » ou d'une mention supérieure peut être utilisée à toutes les températures. L'utilisation d'une huile synthétique n'a aucun impact sur la périodicité de remplacement de l'huile.

REMARQUE :

Le moteur est équipé d'un « système d'alerte du niveau d'huile ». Ce système éteindra automatiquement le moteur avant que le niveau d'huile ne descende en deçà de la limite sécuritaire. Pour éviter les contretemps associés à un arrêt inattendu du moteur, vérifiez toujours le niveau d'huile avant le démarrage du moteur.

VÉRIFIER LE NIVEAU D'HUILE

Le niveau d'huile doit être vérifié avant chaque utilisation, ou au moins chaque 8 heures d'utilisation. Veillez à maintenir le niveau d'huile.

1. Vérifiez que la laveuse à pression est posée sur une surface de niveau.
2. Nettoyez la zone entourant le bouchon de l'orifice de remplissage.
3. Retirez le bouchon de l'orifice de remplissage et essuyez la jauge pour qu'elle soit propre. (figure 29).
4. Insérez la jauge dans le collet de remplissage, mais ne la vissez pas.
5. Assurez-vous que l'huile est à un niveau approprié en vérifiant sur la jauge.
6. Remplacez et resserrez le bouchon de l'orifice de remplissage de l'huile.

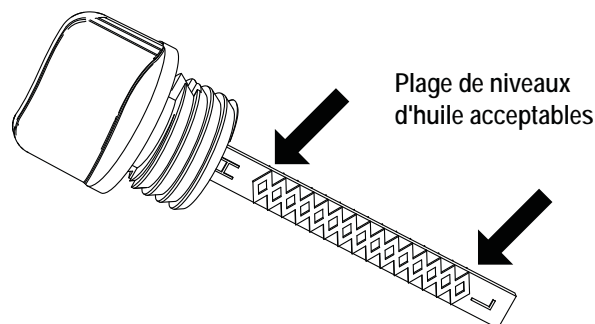
Figure 29 — Remplir l'huile de moteur



AJOUT DE L'HUILE DE MOTEUR

1. Vérifiez que la laveuse à pression est posée sur une surface plane et de niveau.
2. Vérifiez le niveau de l'huile tel que décrit dans la section « Vérifier le niveau d'huile ».
3. Si nécessaire, versez lentement l'huile dans l'orifice de remplissage de l'huile jusqu'à ce qu'elle atteigne le niveau approprié sur la jauge.
4. Insérez la jauge dans le collet de remplissage, mais ne la vissez pas.
5. Si le niveau d'huile est bas, remplissez le réservoir jusqu'à atteindre le niveau de la jauge situé entre L et H (figure 30).
6. Remplacez et resserrez le bouchon de l'orifice de remplissage de l'huile.

Figure 30 — Jauge



CHANGER L'HUILE DE MOTEUR

Si vous utilisez votre laveuse à pression dans un environnement extrêmement sale ou poussiéreux, ou à des températures excessivement chaudes, veillez à changer l'huile plus souvent.

▲ MISE EN GARDE!

! Évitez tout contact prolongé ou répété de la peau avec de l'huile de moteur usagée.

- Il a été démontré que l'huile de moteur usagée cause le cancer de la peau chez certains animaux de laboratoire.
- Lavez à fond toute région exposée avec du savon et de l'eau.

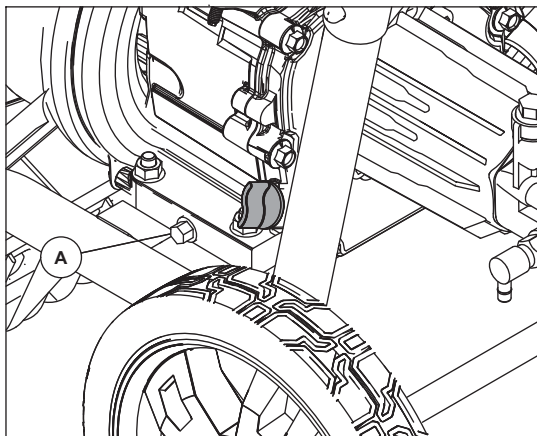
! GARDER HORS DE LA PORTÉE DES ENFANTS.

- Ne polluez pas. Ménagez les ressources. Rapportez l'huile usagée dans un centre de collecte.

Changez l'huile après avoir utilisé l'appareil, lorsque le moteur est encore chaud, et procédez de la manière suivante :

1. Assurez-vous que l'appareil est sur une surface à niveau.
2. Débranchez le câble d'allumage de la bougie d'allumage et placez-le de manière à ce qu'il ne puisse pas entrer en contact avec la bougie.
3. Nettoyez la zone entourant le bouchon de vidange de l'huile (A) (figure 31). Le bouchon de vidange de l'huile se trouve à la base du moteur, face au carburateur.
4. Retirez le bouchon de l'orifice de remplissage de l'huile (figure 31).
5. Retirez le bouchon de vidange de l'huile et laissez l'huile s'écouler complètement dans un contenant approprié.
6. Remettez le bouchon de vidange de l'huile et serrez-le solidement.
7. Versez lentement l'huile (environ 20 oz [567 g]) dans l'orifice de remplissage de l'huile jusqu'à ce qu'elle atteigne le niveau approprié sur la jauge. NE PAS trop remplir.
8. Remettez le bouchon de l'orifice de remplissage de l'huile. Serrez le bouchon solidement avec vos doigts.
9. Essuyer toute l'huile qui aurait coulé.
10. Disposez de l'huile d'une manière appropriée, conformément à toute réglementation locale.

Figure 31 — Bouchon de vidange de l'huile



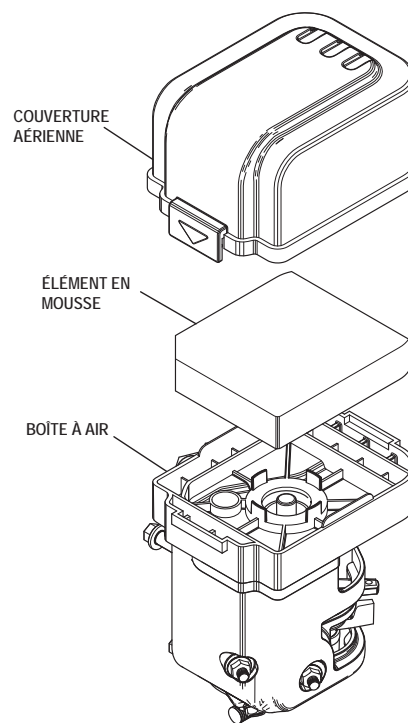
ENTREtenir LE FILTRE À AIR

Le moteur de votre appareil pourrait ne pas fonctionner correctement ou s'endommager si vous le faites fonctionner avec un filtre à air encrassé. Nettoyez-le plus régulièrement si vous utilisez l'appareil dans un environnement sale ou poussiéreux.

Pour entretenir le filtre à air, suivez les étapes suivantes :

1. Tirez sur le loquet du filtre à air pour le retirer (Figure 32).
2. Enlevez le filtre.
3. Pour nettoyer le filtre, tapez-le légèrement sur une surface plane.
4. Réinstallez le filtre propre ou un nouveau filtre.
5. Installez le couvercle en fermant le loquet.

Figure 32 — Entretien le filtre à air



ENTREtenir LA BOUGIE D'ALLUMAGE

Changer la bougie d'allumage fera en sorte que votre moteur démarre plus aisément et qu'il fonctionne mieux.

1. Nettoyez la zone entourant la bougie d'allumage.
2. Retirez la bougie d'allumage et inspectez-la (figure 33).
3. Vérifiez la distance entre les électrodes à l'aide d'une jauge d'épaisseur à fils et remplacez les électrodes de la bougie d'allumage à la distance recommandée si nécessaire (voir les caractéristiques techniques).
4. Remplacez la bougie d'allumage si les électrodes sont piquées ou brûlées, ou si la porcelaine est fissurée. Utilisez la bougie de remplacement recommandée. Voir les caractéristiques techniques.
5. Installez la bougie d'allumage et serrez-la fermement.

Figure 33 — Changer la bougie d'allumage

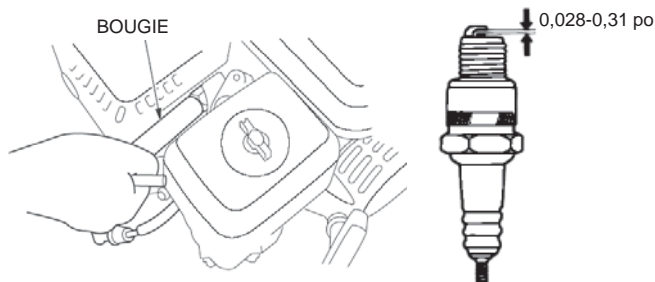
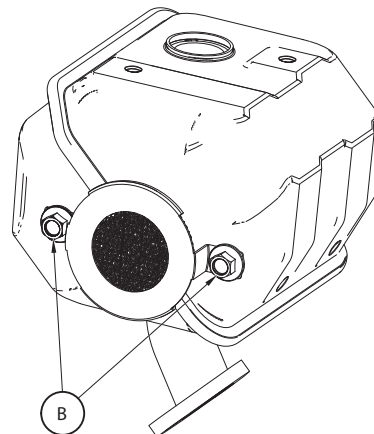


Figure 35 — Enlever le pare-étincelles



INSPECTEZ LE SILENCIEUX ET LE PARE-ÉTINCELLES

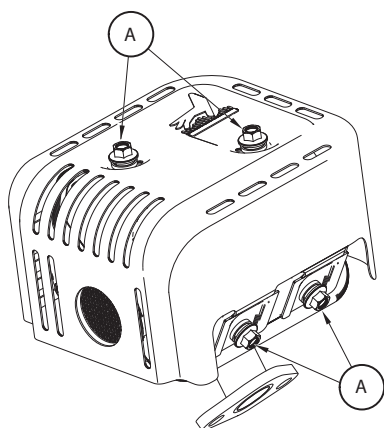
Inspectez le silencieux pour y détecter la présence de fissures, de corrosion ou d'autres dommages. Retirez le pare-étincelles, si l'appareil en est équipé, et inspectez-le pour y déceler des dommages ou des obstructions de carbone. Si des pièces de remplacement sont nécessaires, assurez-vous de n'utiliser que des pièces de rechange pour l'équipement d'origine.

ENLEVER L'ÉCRAN PARE-ÉTINCELLES

Outils nécessaires : Clé polygonale de 8 mm

1. Retirez le bouclier thermique du silencieux en dévissant les quatre (4) boulons (A) (figure 34).
2. Retirez le pare-étincelles du silencieux en desserrant les deux (2) boulons (B) (figure 35).
3. Inspectez le pare-étincelles, remplacez-le s'il est déchiré, perforé ou abîmé (n° pièce OK1851). **NE PAS UTILISER SI L'ÉCRAN EST DÉFECTUEUX.**
4. Si l'écran n'est pas abîmé, nettoyez-le avec un solvant commercial et remettez-le en place.

Figure 34 — Enlever le bouclier thermique



⚠ AVERTISSEMENT!



Le contact avec la région du silencieux peut causer des brûlures graves. La chaleur et les gaz du silencieux peuvent enflammer des combustibles ou des structures, ou endommager le réservoir de carburant et causer un incendie.

- NE touchez PAS aux pièces chaudes et ÉVITEZ les gaz d'échappement chauds.
- Laissez l'équipement refroidir avant d'y toucher.
- Maintenez un dégagement d'au moins 5 pi (152 cm) sur tous les côtés de la laveuse à pression, dont un dégagement vertical au-dessus de l'appareil.
- Le fait d'utiliser ou d'opérer l'appareil sous un couvert forestier ou dans un environnement de brousse ou d'herbes constitue une violation de l'article 4442 du California Public Resource Code (Code des ressources publiques de l'État de la Californie), à moins que le système d'échappement de l'appareil ne soit doté d'un pare-étincelles maintenu en état de marche effectif, comme énoncé dans l'article 4442. D'autres juridictions fédérales ou étatiques peuvent avoir des lois similaires. Communiquez avec le fabricant, le détaillant ou le concessionnaire de l'équipement original pour l'installation d'un pare-étincelles conçu pour le système d'échappement de cet appareil.
- Les pièces de rechange doivent être les mêmes que les pièces d'origine et elles doivent être installées de la même façon.

APRÈS CHAQUE UTILISATION

L'eau ne devrait pas rester dans l'appareil pendant une longue période. Des sédiments ou des minéraux pourraient se déposer sur les pièces de la pompe et bloquer son action. Suivez ces procédures après chaque utilisation :

1. Éteignez l'appareil; coupez l'alimentation en eau; pointez le pistolet dans une direction sécuritaire et appuyez sur le déclencheur pour éliminer la pression emprisonnée, puis laissez le moteur refroidir.

⚠ DANGER!



Le jet d'eau à haute pression produit par cet appareil peut déchirer la peau et les tissus sous-cutanés, entraînant des blessures graves et possiblement l'amputation. Le pistolet de pulvérisation emprisonne de l'eau sous haute pression, même lorsque le moteur est éteint et que l'alimentation en eau est coupée, ce qui peut causer des blessures.

- Veillez à ce que le tuyau à haute pression reste raccordé à la pompe et au pistolet de pulvérisation lorsque le système est sous pression.

- Pointez TOUJOURS le pistolet de pulvérisation dans une direction sécuritaire et appuyez sur le déclencheur du pistolet pour évacuer la haute pression chaque fois que vous éteignez le moteur. Enclenchez le verrou du déclencheur lorsqu'il n'est pas utilisé.
- 2. Déconnectez les tuyaux du pistolet de pulvérisation et de la sortie à haute pression de la pompe. Purgez l'eau des tuyaux flexibles, du pistolet de pulvérisation et de la lance. Utilisez un chiffon pour essuyer le tuyau.
- 3. Videz tout liquide pompé de la pompe. Vérifier que l'interrupteur Marche/Arrêt de l'appareil et le robinet à carburant sont en position ARRÊT. Puis, tirez sur la corde du lanceur à rappel à environ six reprises. Cela devrait évacuer l'ensemble du liquide contenu dans la pompe.
- 4. Rangez l'appareil dans un endroit sec et propre.
- 5. Si vous l'entrez pendant plus de 30 jours, consultez la section « Entreposage à long terme ».

⚠ AVERTISSEMENT!



Le carburant et ses vapeurs sont extrêmement inflammables et explosifs. Un feu ou une explosion peut entraîner des brûlures graves et même la mort.

LORS DE L'ENTREPOSAGE DU CARBURANT OU DE L'ÉQUIPEMENT AVEC DU CARBURANT DANS LE RÉSERVOIR

- Rangez le carburant dans un endroit éloigné des chaudières, cuisinières, chauffe-eau, sècheuses ou autre appareil ménager muni d'une veilleuse ou d'autres sources d'allumage, car ils pourraient enflammer les vapeurs de carburant.

ENTREPOSAGE À LONG TERME

Si vous prévoyez ne pas utiliser la laveuse à pression pendant une période de plus de 30 jours, vous devez préparer le moteur et la pompe pour un entreposage à long terme.

PROTÉGER LE SYSTÈME D'ALIMENTATION

Le carburant peut devenir vicié s'il est entreposé pendant plus de 30 jours. Le carburant vicié peut entraîner la formation de dépôts acides ou adhésifs dans le système d'alimentation ou dans les composants essentiels du carburateur. Pour veiller à ce que le carburant soit frais, utilisez un stabilisateur de carburant offert sous forme d'additif liquide ou sous forme de goutte dans une cartouche concentrée.

Il n'est pas nécessaire de vidanger l'essence du moteur si un stabilisateur de carburant y est ajouté conformément aux instructions. Faites fonctionner le moteur pendant 2 minutes pour faire circuler le stabilisateur à travers le système d'alimentation. Le moteur et le carburant peuvent être entreposés pour une période allant jusqu'à 24 mois.

Si l'essence contenue dans le moteur n'a pas été traitée avec un stabilisateur de carburant, elle doit être purgée et déversée dans un contenant approprié. Faites fonctionner le moteur jusqu'à ce qu'il s'arrête en raison du manque de carburant. Il est recommandé d'utiliser un stabilisateur de carburant lorsque le carburant est entreposé dans un contenant afin d'en assurer la fraîcheur.

PROTÉGER LE MOTEUR

1. Changez l'huile du moteur.
2. Retirez la bougie.
3. Versez une cuillère à soupe (5 à 10 cc) d'huile de moteur propre dans le cylindre.
4. Tirez plusieurs fois le câble du démarreur pour répartir l'huile dans le cylindre.
5. Remplacez la bougie.
6. Tirez doucement sur le câble du démarreur jusqu'à sentir une résistance. De cette manière, vous fermez les soupapes afin que l'humidité ne puisse pas pénétrer dans le cylindre du moteur. Relâchez doucement le câble du démarreur.

CHANGER L'HUILE

Vidanger l'huile du carter de moteur alors que le moteur est encore chaud. Remplissez-le avec une huile de catégorie recommandée. Consultez la partie « Changer l'huile du moteur » de la section « Entretien du moteur ».

⚠ MISE EN GARDE!



L'huile chaude peut causer des brûlures. Laissez refroidir le moteur avant de vidanger l'huile. Évitez les contacts prolongés ou répétés de la peau avec l'huile usagée. Nettoyez soigneusement les régions exposées avec du savon.

PROTÉGER LA POMPE DURANT L'ENTREPOSAGE HIVERNAL

Pour protéger la pompe des dégâts causés par les dépôts minéraux ou le gel, utilisez de l'antigel PumpSaver ou RV pour traiter la pompe, éviter les dommages dus au gel et lubrifier les pistons et les joints.

- L'absence d'antigel risque d'endommager irrémédiablement votre pompe et de rendre l'appareil inutilisable.
- Les dégâts dus au gel ne sont pas couverts par la garantie.

Pour protéger l'appareil contre le gel :

1. Après chaque utilisation, suivez les étapes 1 à 3 de la section précédente.
2. Traitez la pompe avec du PumpSaver pour éviter les dommages dus au gel et lubrifier les pistons et les joints.
3. Si vous n'en avez pas, branchez une section de 1 mètre (3 pieds) de tuyau d'arrosage à la prise d'eau. Versez de l'antigel RV (sans alcool) dans le tuyau. Tirez deux fois sur le démarreur à rappel. Débranchez le tuyau de 1 mètre (3 pieds).
4. Rangez l'appareil dans un endroit sec et propre.

AUTRES INSTRUCTIONS EN MATIÈRE D'ENTREPOSAGE

1. N'entrez PAS le carburant d'une saison à l'autre, à moins qu'il n'ait été traité tel que décrit dans la section « Protéger le système d'alimentation ».
2. Remplacez le contenant de carburant s'il commence à rouiller. La présence de rouille ou de saletés dans le contenant de carburant peut causer des problèmes si le carburant est utilisé avec l'appareil.
3. Couvrez l'appareil d'une housse de protection qui ne retient pas l'humidité.

⚠ AVERTISSEMENT!



Les housses de rangement peuvent être inflammables.

- NE placez PAS une housse d'entreposage sur une laveuse à pression chaude.
- Laissez l'équipement refroidir pendant une période suffisante avant de placer la housse sur l'appareil.

4. Rangez l'appareil dans un endroit propre et sec.

TRANSPORT/INCLINAISON DE L'APPAREIL

Ne faites pas fonctionner, ne rangez pas et ne transportez pas l'appareil à un angle supérieur à 15 degrés.

GUIDE DE DÉPANNAGE

PROBLÈME	CAUSE	SOLUTION
La pompe éprouve les problèmes suivants : incapacité à produire de la pression, pression irrégulière, claquement, perte de pression, volume d'eau faible.	<ol style="list-style-type: none"> 1. Buse à basse pression installée. 2. La prise d'eau est bloquée. 3. Alimentation en eau inadéquate. 4. Le tuyau d'alimentation est plié ou il fuit. 5. Écran du tuyau d'alimentation engorgé. 6. La température de l'alimentation en eau est supérieure à 100 °F (38 °C). 7. Le tuyau à haute pression est engorgé ou il fuit. 8. Le pistolet de pulvérisation coule. 9. La buse est obstruée. 10. La pompe est défaillante. 	<ol style="list-style-type: none"> 1. Remplacez-la par la buse à haute pression. 2. Nettoyez la prise. 3. Fournissez un débit d'eau adéquat. 4. Redressez le tuyau d'alimentation ou colmatez les fuites. 5. Vérifiez et nettoyez l'écran du tuyau d'alimentation. 6. Fournissez une alimentation en eau plus fraîche. 7. Dégagez ce qui bloque le tuyau de sortie ou remplacez-le. 8. Remplacez le pistolet de pulvérisation. 9. Nettoyez la buse. 10. Communiquez avec votre centre de réparation local.
Le détergent ne parvient pas à se mélanger au jet pulvérisé.	<ol style="list-style-type: none"> 1. Le tube de siphonnement du détergent n'est pas immergé. 2. Le tube de siphonnement du détergent ou le filtre est engorgé ou fissuré. 3. La buse à haute pression est installée. 	<ol style="list-style-type: none"> 1. Insérez le tube de siphonnement du détergent dans le détergent. 2. Nettoyez ou remplacez le filtre ou le tube de siphonnement du détergent. 3. Remplacez-la par la buse à basse pression.
Le moteur fonctionne correctement à vide, mais il éprouve de la difficulté lorsqu'il doit fournir de la puissance.	<ol style="list-style-type: none"> 1. La vitesse du moteur est trop basse. 	<ol style="list-style-type: none"> 1. Communiquez avec votre centre de réparation local.
Le moteur ne démarre pas, ou il démarre, puis il bafouille.	<ol style="list-style-type: none"> 1. Filtre à air sale. 2. Panne de carburant. 3. Carburant éventé. 4. Le câble de bougie n'est pas branché à la bougie. 5. Bougie défectueuse. 6. Eau dans le carburant. 7. Le mélange combustible est trop riche. 	<ol style="list-style-type: none"> 1. Nettoyez ou remplacez le filtre à air. 2. Remplissez le réservoir de carburant. 3. Vidangez le réservoir de carburant et remplissez-le de carburant neuf. 4. Connectez le câble à la bougie. 5. Remplacez la bougie. 6. Vidangez le réservoir de carburant et remplissez-le de carburant neuf. 7. Communiquez avec votre centre de réparation local.
Le moteur s'éteint lors de l'utilisation.	<ol style="list-style-type: none"> 1. Panne de carburant. 	<ol style="list-style-type: none"> 1. Remplissez le réservoir de carburant.
Le moteur manque de puissance.	<ol style="list-style-type: none"> 1. Le filtre à air est encrassé. 	<ol style="list-style-type: none"> 1. Remplacez le filtre à air.

