

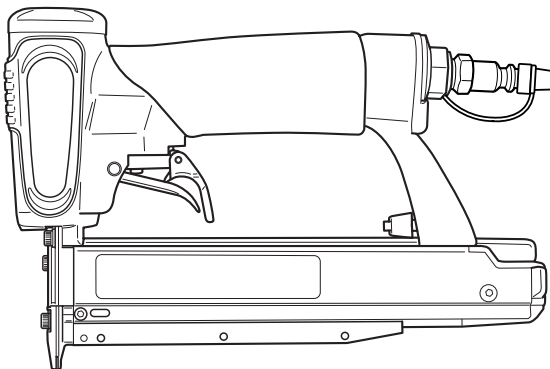
# HITACHI

Instruction and safety manual  
Manuel d'instructions et de sécurité  
Instrucciones y manual de seguridad

**Model**  
**Modèle**  
**Modelo**

**NP 35A**

**Pin Nailer**  
**Micro pinnel**  
**Clavadora pequeña**



## **⚠ DANGER**

Improper use of this Nailer can result in death or serious injury!  
This Manual contains important information about product safety.  
Read and understand this Manual before operating the Nailer.  
Keep this Manual available for others before they use the Nailer.  
Never allow anyone who has not reviewed this manual.

## **⚠ DANGER**

Une utilisation incorrecte et sans respecter la sécurité de ce cloueur risque d'entraîner la mort ou des blessures graves !  
Ce manuel renferme des instructions importantes sur la sécurité de l'outil.  
Lire et bien assimiler ce manuel avant d'utiliser le cloueur.  
Conserver ce manuel à l'intention des autres utilisateurs du cloueur.  
Ne jamais laisser les personnes n'ayant pas étudié le manuel utiliser l'outil.

## **⚠ PELIGRO**

¡La utilización inadecuada e insegura de este clavador puede resultar en lesiones serias o en la muerte!  
Este manual contiene información importante sobre la seguridad del producto.  
Lea y entienda este manual antes de utilizar el clavador.  
Guardé este manual a mano para que puedan consultarlo otras personas antes de utilizar el clavador  
No deje manejar esta herramienta a nadie que no haya leído este manual.

**Hitachi Koki**

## CONTENTS

English	Page	Page	
IMPORTANT INFORMATION .....	3	AIR SUPPLY .....	9
DEFINITIONS OF SIGNAL WORDS .....	3	LUBRICATION .....	10
<b>SAFETY</b>		COLD WEATHER CARE .....	10
IMPORTANT SAFETY INSTRUCTIONS FOR USING NAILERS .....	4	TESTING THE NAILER .....	10
EMPLOYER'S RESPONSIBILITIES .....	6	ADJUSTING AIR PRESSURE .....	11
<b>OPERATION</b>		LOADING NAILS .....	11
NAME OF PARTS .....	7	NAILER OPERATION .....	12
SPECIFICATIONS .....	8	METHODS OF OPERATION .....	13
NAIL SELECTION .....	8	ADJUSTING THE NAILING DEPTH .....	13
ACCESSORIES .....	8	USING THE NOSE CAP .....	14
STANDARD ACCESSORIES .....	8	REMOVING THE NAILS .....	14
OPTIONAL ACCESSORIES .....	8	HANDLING THE NAILS .....	15
APPLICATIONS .....	8	<b>MAINTENANCE</b>	
BEFORE OPERATION .....	9	MAINTENANCE AND INSPECTION .....	16
WORKING ENVIRONMENT .....	9	SERVICE AND REPAIRS .....	17
		PARTS LIST .....	56

## TABLE DES MATIÈRES

Français	Page	Page	
INFORMATION IMPORTANTE .....	20	ALIMENTATION D'AIR .....	27
DEFINITION DES MOTS DE SIGNALISATION .....	20	GRAISSAGE .....	28
<b>SECURITE</b>		ENTRETIEN PAR TEMPS FROID .....	28
CONSIGNES DE SECURITE IMPORTANTES POUR L'UTILISATION DU CLOUEUR .....	21	ESSAI DU CLOUEUR .....	28
RESPONSABILITES DE L'EMPLOYEUR .....	24	RÉGLAGE DE LA PRESSION D'AIR .....	29
<b>UTILISATION</b>		CHARGEMENT DES CLOUS .....	29
NOM DES PIÈCES .....	25	UTILISATION DU CLOUEUR .....	30
SPECIFICATIONS .....	26	METHODES D'UTILISATION .....	31
SELECTION DES CLOUS .....	26	RÉGLAGE DE LA PROFONDEUR DE CLOUAGE .....	32
ACCESSOIRES .....	26	UTILISATION DU CAPUCHON DE BEC .....	32
ACCESSOIRES STANDARD .....	26	RETIRER LES CLOUS .....	33
ACCESSOIRES EN OPTION .....	26	MANIPULATION DES CLOUS .....	33
APPLICATIONS .....	27	<b>ENTRETIEN</b>	
AVANT L'UTILISATION .....	27	ENTRETIEN ET INSPECTION .....	34
ENVIRONNEMENT DE TRAVAIL .....	27	ENTRETIEN ET REPARATIONS .....	35
		LISTE DES PIÈCES .....	56

## ÍNDICE

Español	Página	Página	
INFORMACIÓN IMPORTANTE .....	37	SUMINISTRO DE AIRE .....	44
DEFINICIÓN DE LAS PALABRAS CLAVE .....	37	LUBRICACIÓN .....	45
<b>SEGURIDAD</b>		CUIDADOS PARA CLIMAS FRÍOS .....	45
INSTRUCCIONES IMPORTANTES DE SEGURIDAD PARA LA UTILIZACIÓN DEL CLAVADOR .....	38	PRUEBA DEL CLAVADOR .....	45
RESPONSABILIDADES DEL EMPRESARIO .....	41	AJUSTE DE LA PRESIÓN DE AIRE .....	46
<b>OPERACIÓN</b>		CARGA DE CLAVOS .....	46
NOMENCLATURA .....	42	OPERACIÓN DEL CLAVADOR .....	47
ESPECIFICACIONES .....	43	MÉTODOS DE OPERACIÓN .....	48
SELECCIÓN DE CLAVOS .....	43	AJUSTE DE LA PROFUNDIDAD DE CLAVADO .....	49
ACCESORIOS .....	43	UTILIZACIÓN DE LA TAPA PARA EL MORRO .....	49
ACCESORIOS ESTÁNDAR .....	43	EXTRAIGA LOS CLAVOS .....	50
ACCESORIOS OPCIONALES .....	43	MANEJO DE LOS CLAVOS .....	50
APLICACIONES .....	44	<b>MANTENIMIENTO</b>	
ANTES DE LA OPERACIÓN .....	44	MANTENIMIENTO E INSPECCIÓN .....	51
ENTORNO DE TRABAJO .....	44	SERVICIO Y REPARACIONES .....	52
		LISTA DE PIEZAS .....	56

---

## IMPORTANT INFORMATION

---



**Read and understand tool labels and all of the operating instructions, safety precautions and warnings in this manual before operating or maintaining this nailer.**

**Failure to follow warnings could result in death or serious injury.**

**Most accidents that result from the operation and maintenance of Nailers are caused by the failure to observe basic safety rules or precautions. An accident can often be avoided by recognizing a potentially hazardous situation before it occurs, and by observing appropriate safety procedures.**

**Basic safety precautions are outlined in the “SAFETY” section of this manual and in the sections which contain the operation and maintenance instructions.**

**Hazards that must be avoided to prevent bodily injury or machine damage are identified by DANGERS and WARNINGS on the Nailer and in this manual.**

**Never use this Nailer for applications other than those specified in this manual.**

---

## DEFINITIONS OF SIGNAL WORDS

---

**DANGER** indicates an imminently hazardous situation which, if not avoided, will result in death or serious injury.

**WARNING** indicates a potentially hazardous situation which, if not avoided, could result in death or serious injury.

**CAUTION** indicates a potentially hazardous situation which, if not avoided, may result in minor or moderate injury, or may cause machine damage.

**NOTE** emphasizes essential information.

# SAFETY

## IMPORTANT SAFETY INSTRUCTIONS FOR USING NAILERS

### READ ALL INSTRUCTIONS

#### DANGER

- 1. OPERATORS AND OTHERS IN WORK AREA MUST WEAR SAFETY GLASSES WITH SIDE SHIELDS.**



When operating the Nailer, always wear safety glasses with side shields, and make sure others in work area wear safety glasses, too.

Safety glasses must conform to the requirements of American National Standards Institute, ANSI Z87.1 and provide protection against flying particles both from the front and side.

The employer must enforce the use of safety glasses by the Nailer operator and others in work area.

- 2. NEVER USE OXYGEN OR OTHER BOTTLED GASSES. EXPLOSION MAY OCCUR.**



Never use oxygen, combustible gases or any other bottled gases as a power source for the Nailer.

Use of the above gases is dangerous, as the Nailer will explode. Use only clean, dry, regulated compressed air.

#### WARNING

- 3. NEVER POINT TOOL AT YOURSELF OR OTHERS IN WORK AREA.**



Always assume the Nailer contains fasteners. Never point the Nailer at yourself toward yourself or others, whether it contains fasteners or not.

If fasteners are mistakenly driven, it can lead to severe injuries.

Never engage in horseplay with the Nailer. Respect the Nailer as a working implement.

- 4. KEEP FINGERS AWAY FROM DOUBLE TRIGGER (TRIGGER AND LOCK LEVER) WHEN NOT DRIVING FASTENERS TO AVOID ACCIDENTAL FIRING.**

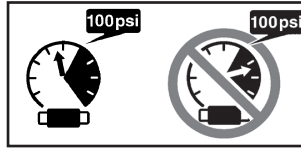
Never carry the Nailer with finger on double trigger since you could drive a fastener unintentionally and injure yourself or someone else.

Always carry the Nailer by the handle only.

- 5. CHOICE OF TRIGGERING METHOD IS IMPORTANT.**

Read and understand section titled "Methods of operation." (page 13)

- 6. DO NOT EXCEED 100 psi. (6.9 bar 7 kgf/cm<sup>2</sup>)**



Do not exceed maximum recommended air pressure 100 psi (6.9 bar 7 kgf/cm<sup>2</sup>).

Never connect the Nailer to pressure which potentially exceeds 200 psi (13.7 bar 14 kgf/cm<sup>2</sup>) as the Nailer can burst.

- 7. ALWAYS WEAR EAR AND HEAD PROTECTION.**

Always wear ear protection to protect your ears from loud noise.

Always wear head protection to protect your head from flying objects.

- 8. STORE NAILER PROPERLY.**

When not in use, the Nailer should be stored in a dry place. Keep out of reach of children. Lock the storage area.

- 9. KEEP WORK AREA CLEAN.**

Cluttered areas invite injuries. Clear all work areas of unnecessary tools, debris, furniture, etc.

- 10. NEVER USE IN PRESENCE OF FLAMMABLE LIQUIDS OR GASES.**

The Nailer produces sparks during operation.

## SAFETY - Continued

Never use the Nailer in sites containing lacquer, paint, benzine, thinner, gasoline, gases, adhesive agents, and other materials which are combustible or explosive.

### 11. KEEP VISITORS AWAY.

Do not let visitors handle the Nailer.

All visitors should be kept safely away from work area.

### 12. DRESS PROPERLY.

Do not wear loose clothing or jewelry as they can be caught in moving parts.

Rubber gloves and nonskid footwear are recommended when working outdoors.

Wear protective hair covering to contain long hair.

### 13. NEVER USE NON RELIEVING COUPLER ON NAILER.

If a non relieving coupler is used on the Nailer, the Nailer can remain charged with air after disconnecting and thus will be able to drive a fastener even after disconnecting.

The Nailer and air hose must have a hose coupling such that all pressure is removed from the Nailer when the coupling joint is disconnected.

### 14. CHECK DOUBLE TRIGGER BEFORE USE.

The Nailer will not operate unless you pull the lock lever before you pull the trigger.

Make sure the lock lever operates properly. (The lock lever may be called "Safety".)

Never use the Nailer unless the lock lever is operating properly, otherwise the Nailer could drive a fastener unexpectedly. Do not tamper with or remove the lock lever, otherwise the lock lever becomes inoperable.

With no nails loaded in the Nailer, connect the air hose and check the following.

- There is no operating noise from the piston inside the Nailer when the trigger is pulled without first pulling the lock lever.

Using the Nailer when it is not operating normally may lead to injury. If any abnormality occurs, contact the dealer where the Nailer was purchased or your nearest Hitachi authorized service center and arrange for repairs.

### 15. KEEP ALL SCREWS AND COVERS TIGHTLY IN PLACE.

Keep all screws and covers tightly mounted. Check their condition periodically.

Never use the Nailer if parts are missing or damaged.

### 16. DO NOT LOAD FASTENERS WITH TRIGGER OR LOCK LEVER PULLED.

When loading fasteners into the Nailer or when connecting the air hose,

- 1) do not pull the trigger;
- 2) do not pull the lock lever; and
- 3) keep the Nailer pointed downward.

### 17. KEEP FACE, HANDS AND FEET AWAY FROM FIRING HEAD AT ALL TIMES.

Never place your face, hands or feet near the firing head.

### 18. PLACE NAILER PROPERLY ON WORKPIECE.

Do not drive fasteners on top of other fasteners or with the Nailer at too steep of an angle; the fasteners can ricochet and hurt someone.

### 19. BEWARE OF RECOIL.

When driving a nail into a hard workpiece, the Nailer may rebound. Be sure to keep your face away from the Nailer.

### 20. DO NOT DRIVE FASTENERS INTO THIN BOARDS OR NEAR CORNERS AND EDGES OF WORKPIECE.

The fasteners can be driven through or away from the workpiece and hit someone.

### 21. NEVER DRIVE FASTENERS FROM BOTH SIDES OF A WALL AT THE SAME TIME.

The fasteners can be driven into and through the wall and hit a person on the opposite side.

### 22. CHECK FOR LIVE WIRES.

Avoid the risk of severe electrical shock by checking for live electrical wires that may be hidden by walls, floors or ceilings. Turn off the breaker switch to ensure there are no live wires.

### 23. NEVER CARRY NAILER BY HOSE.

### 24. DO NOT OVERREACH.

Keep proper footing and balance at all times.

## SAFETY - Continued

### 25. NEVER USE NAILER WHICH IS DEFECTIVE OR OPERATING ABNORMALLY.

If the Nailer appears to be operating unusually, making strange noises, or otherwise appears defective, stop using it immediately and arrange for repairs by a Hitachi authorized service center.

### 26. DO NOT DISCONNECT AIR HOSE FROM NAILER WITH FINGER ON TRIGGER.

The Nailer can fire when reconnected to an air supply.

### 27. DISCONNECT AIR HOSE FROM NAILER WHEN:

- 1) doing maintenance and inspection;
- 2) loading fasteners;
- 3) attaching or removing the nose cap;
- 4) using the hook;
- 5) clearing a jam;
- 6) it is not in use;
- 7) leaving work area;
- 8) moving it to another location; and
- 9) handing it to another person.

Never attempt to clear a jam or repair the Nailer unless you have disconnected air hose from the Nailer and removed all remaining fasteners from the Nailer.

The Nailer should never be left unattended since people who are not familiar with the Nailer might handle it and injure themselves.

### 28. STAY ALERT.

Watch what you are doing. Use common sense.

Do not operate the Nailer when you are tired.

The Nailer should never be used by you if you are under the influence of alcohol, drugs or medication that makes you drowsy.

### 29. HANDLE NAILER CORRECTLY.

Operate the Nailer according to this manual.

Never allow the Nailer to be operated by children, individuals unfamiliar with its operation or unauthorized personnel.

### 30. NEVER USE NAILER FOR APPLICATIONS OTHER THAN THOSE SPECIFIED IN THIS MANUAL.

### 31. HANDLE NAILER CAREFULLY.

Because of high air pressure in the Nailer, cracks in the surface are dangerous.

To avoid this, do not drop the Nailer or strike the Nailer against hard surfaces; and do not scratch or engrave signs on the Nailer. Handle the Nailer carefully.

### 32. MAINTAIN NAILER WITH CARE.

Keep the Nailer clean and lubricated for better and safer performance.

### 33. USE ONLY PARTS, ACCESSORIES OR FASTENERS SUPPLIED OR RECOMMENDED BY HITACHI.

Unauthorized parts, accessories, or fasteners may void your warranty and can lead to malfunction and resulting injuries. Only service personnel trained by Hitachi, distributor or employer shall repair the Nailer.

### 34. NEVER MODIFY OR ALTER A NAILER.

Doing so may cause it to malfunction and personal injuries may result.

---

## EMPLOYER'S RESPONSIBILITIES

---

1. Ensure that this manual is available to operators and personnel performing maintenance.
2. Ensure that Nailers are used only when operators and others in work area are wearing eye protector.
3. Enforce the use of eye protector by operators and others in work area.
4. Keep Nailers in safe working order.
5. Maintain Nailers properly.
6. Ensure that Nailers which require repair are not further used before repair.

# SAVE THIS MANUAL AND KEEP IT AVAILABLE FOR OTHERS!

## OPERATION

### NOTE

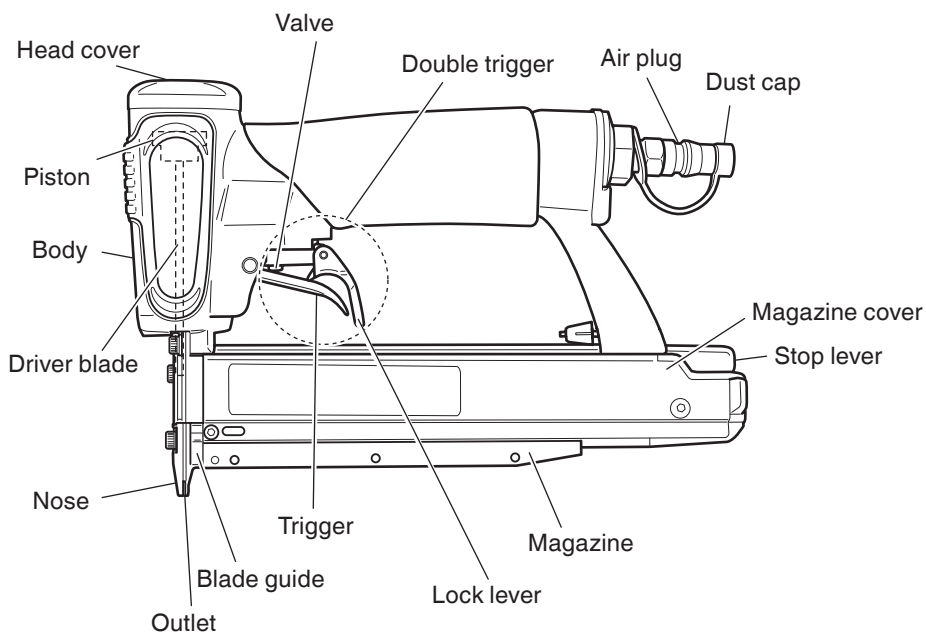
The information contained in this manual is designed to assist you in the safe operation of the Nailer.

Some illustrations in this manual may show details or attachments that differ from those on your own Nailer.

---

### NAME OF PARTS

---



**SPECIFICATIONS**

Operating pressure	64 – 100 psi (4.4 – 6.9 bar 4.5 – 7 kgf/cm <sup>2</sup> )
Dimensions Length × Height × Width	9-3/8" × 6-3/8" × 1-27/32" (238 mm × 162 mm × 47 mm)
Weight	2.0 lbs. (0.9 kg)
Nail capacity	100 nails
Air consumption	.018 ft <sup>3</sup> /cycle at 100 psi (.5 ltr/cycle at 6.9 bar) (.5 ltr/cycle at 7 kgf/cm <sup>2</sup> )
Air inlet	3/8 NPT Thread

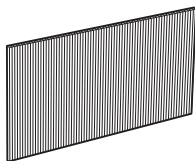
**NAIL SELECTION**

**⚠ WARNING**

- Be sure to use only the genuine HITACHI nails for the NP35A. The use of any other nails can result in tool malfunction and/or nail breakdown, leading to serious injuries.

Only nails shown in the Table below can be driven with this Nailer.

**23 Gauge pin nails**



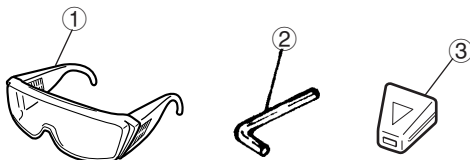
Min.	Max.

**ACCESSORIES**

**⚠ WARNING**

- Accessories other than those shown below can lead to malfunction and resulting injuries.

**STANDARD ACCESSORIES**



① Eye protection	1
② Allen wrench for M4 screw	1
③ Nose cap (A)	2

**OPTIONAL ACCESSORIES**

... sold separately

- Pneumatic tool lubricant
  - 1 oz. (30 cc) oil feeder (Code No. 877153)
  - 4 oz. (120 cc) oil feeder (Code No. 874042)
  - 1 quart (1 ltr) can (Code No. 876212)

**NOTE**

Accessories are subject to change without any obligation on the part of HITACHI.

**APPLICATIONS**

- Installation of decorated plywood such as baseboards and edgings in interiors of buildings.



## BEFORE OPERATION

Read section titled "SAFETY" (pages 4 – 6).

Make sure of the followings before operation.

## WORKING ENVIRONMENT

### ⚠ WARNING

- No flammable gas, liquid or other flammable objects at worksite.
- Clear the area of children or unauthorized personnel.

## AIR SUPPLY

### ⚠ DANGER



- Never use oxygen or other bottled gases. Explosion may occur.

### ⚠ WARNING

- Never connect Nailer to pressure which potentially exceeds 200 psi (13.7 bar 14 kgf/cm<sup>2</sup>).
- Never use non relieving coupler on Nailer.

### 1. Power source

- Use only clean, dry, regulated compressed air as a power source for this Nailer.
- Air compressors used to supply compressed air to this Nailer must comply with the requirements of the latest version of ANSI Standard B 19.3 "Safety Standard For Compressors For Process Industries".
- Moisture or oil in the air compressor may accelerate wear and corrosion in the Nailer.

Drain daily.

### 2. Filter-Regulator-Lubricator

- Use a regulator with a pressure range of 0 – 100 psi (0 – 6.9 bar 0 – 7 kgf/cm<sup>2</sup>).
- Filter-regulator-lubricator units supply an optimum condition for the Nailer and extend the Nailer life.

These units should always be used.

### Filter

The filter removes moisture and dirt mixed in compressed air.

Drain daily unless fitted with an automatic drain.

Keep the filter clean by regular maintenance.

### Regulator

The regulator controls the operating pressure for safe operation of the Nailer.

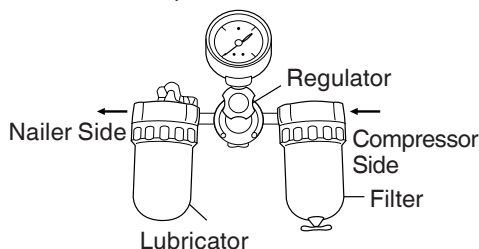
Inspect the regulator before operation to be sure it operates properly.

### Lubricator

The lubricator supplies an oil mist to the Nailer.

Inspect the lubricator before operation to be sure the supply of lubricant is adequate.

Use Hitachi pneumatic tool lubricant.



### 3. Air hose

Air hose must have a minimum working pressure rating of 150 psi (10.4 bar 10.6 kgf/cm<sup>2</sup>) or 150% of the maximum pressure produced in the system, whichever is higher.

### 4. Air consumption

Using the Air consumption table and the Air compressor size formula, find a correct compressor size.

### Air consumption table

	psi	80	90	100
Operating pressure	(bar)	(5.5)	(6.2)	(6.9)
	(kgf/cm <sup>2</sup> )	(5.6)	(6.3)	(7)
	Air consumption	ft <sup>3</sup> /cycle	.011	.015
	(ltr/cycle)	(.3)	(.4)	(.5)

### Air compressor size formula

Amount of air required

= number of Nailers

× average nails driven each minute per Nailer

× air consumption at given air pressure

× safety factor (always 1.2)

Example: 3 Nailers operating at 100 psi driving 30 nails per minute

Amount of air required  
 $= 3 \times 30 \times .018 (.5) \times 1.2$   
 $= 1.9 \text{ CFM (ft}^3\text{/min) (94 ltr/min)}$

After making the calculations as shown above, you should find a compressor providing 1.9 CFM of air that is required.

### LUBRICATION

It is important that the Nailer be properly lubricated.

Without proper lubrication, the Nailer will not work properly and parts will wear prematurely.

- Use Hitachi pneumatic tool lubricant.  
Do not use detergent oil or additives. These lubricants will harm the O-rings and other rubber parts. This will cause the Nailer to malfunction.
- Filter-regulator-lubricator units should always be used.  
Keep the lubricator filled with Hitachi pneumatic tool lubricant.
- If a lubricator is not available, supply 5 – 10 drops of Hitachi pneumatic tool lubricant into the air plug on the Nailer twice a day.

### COLD WEATHER CARE

- Do not store the Nailer in a cold weather environment.  
Keep the Nailer in a warm area until beginning the work.
- If the Nailer is already cold, bring it in a warm area and allow the Nailer to warm up before use.
  - ① Reduce the air pressure to 64 psi (4.4 bar 4.5 kgf/cm<sup>2</sup>).
  - ② Remove all nails from the Nailer.
  - ③ Connect the air hose and free-fire (blank-fire) the Nailer.  
The lowered air pressure will be enough to free-fire the Nailer.  
Slow speed operation tends to warm up the moving part.

### CAUTION

- Do not free-fire the Nailer at high pressure.

### TESTING THE NAILER

#### DANGER



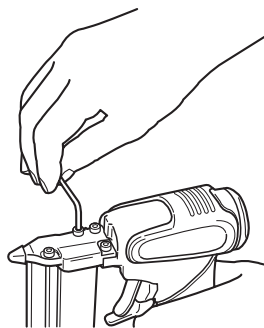
- Operators and others in work area must wear safety glapsses with side shields which conforms to ANSI Z87.1 specifications.

#### WARNING

- Never use Nailer unless lock lever is operating properly.

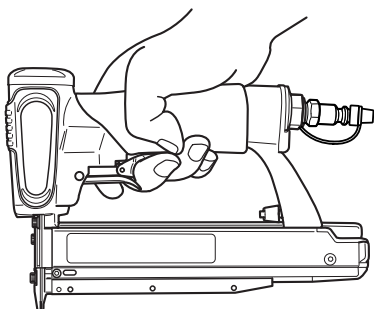
Before actually beginning the nailing work, test the Nailer by using the checklist below. Conduct the tests in the following order. If abnormal operation occurs, stop using the Nailer and contact a Hitachi authorized service center immediately.

- (1) Disconnect air hose from Nailer.  
Remove all nails from Nailer.
  - All crews must be tightened.  
If any screws are loose, tighten them.



- The lock lever and trigger must move smoothly.

## ADJUSTING AIR PRESSURE



Do not connect  
air hose

(2) Adjust the air pressure to 64 psi (4.4 bars 4.5 kgf/cm<sup>2</sup>).

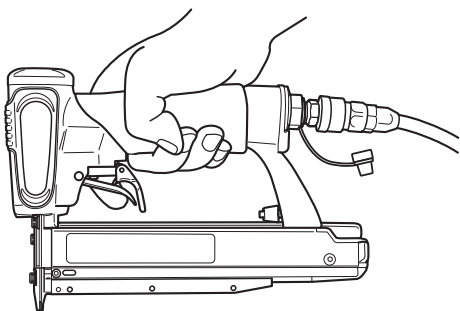
Connect the air hose.

Do not load any nails in the Nailer.

- The Nailer must not leak air.

Hold the Nailer downward, without touching the lock lever and pull the trigger.

- The Nailer must not operate.

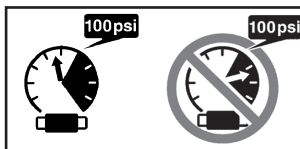


(3) If no abnormal operation is observed, you may load nails in the Nailer.

Drive nails into the workpiece that is the same type to be used in the actual application.

- The Nailer must operate properly.

**WARNING**



- Do not exceed 100 psi (6.9 bars 7 kgf/cm<sup>2</sup>).

Adjust the air pressure at recommended operating pressure 64 – 100 psi (4.4 – 6.9 bar 4.5 – 7 kgf/cm<sup>2</sup>) according to the length of nails and the hardness of workpiece.

The correct air pressure is the lowest pressure which will do the job. Using the Nailer at a higher than required air pressure unnecessarily over stresses the Nailer.

## LOADING NAILS

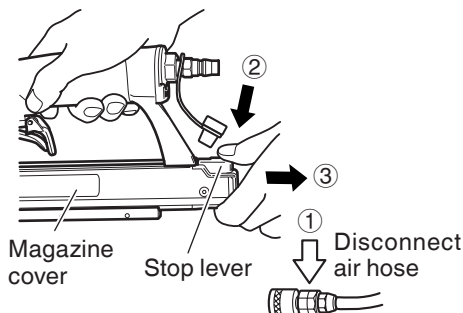
**WARNING**

- When loading nails into Nailer,
  - 1) disconnect air hose
  - 2) do not pull trigger and lock lever; and
  - 3) keep Nailer pointed downward.

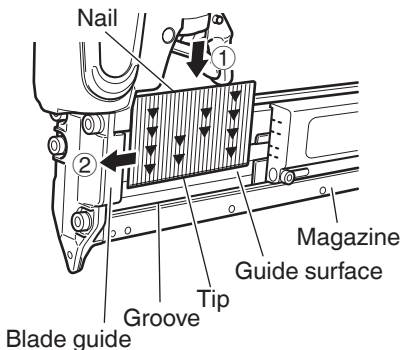
## NOTE

Use 5 or more connected nails.

- (1) ① Disconnect air hose from Nailer.
- (2) ② Lightly depress the stop lever.
- (3) ③ Pull out the magazine cover slowly.



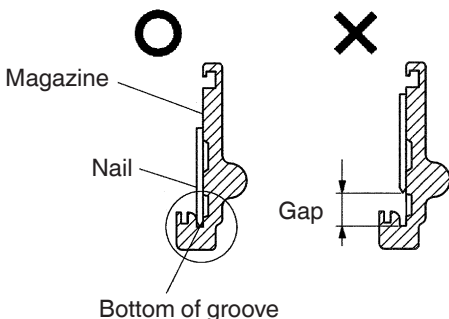
- (2) ① Place the nails against the magazine guide surface and insert the tips of the nails as far as they will go into the groove in the magazine.
- ② Feed the nails in the magazine into the blade guide with your fingers.



- (3) Push the back-end of the magazine cover forward and check that the nails do not protrude from the magazine guide surface before closing the magazine.

**NOTE**

- Load the nails with the tips facing toward the groove in the magazine.
- Do not load nails of different lengths.
- Nails between 15 mm and 35 mm long can be used in this Nailer without any adjustment, but whatever length they are, make sure that the tips of the nails are inserted as far as they will go into the groove in the magazine.



The Nailer is now ready to operate.

**NAILER OPERATION**

Read section titled “SAFETY” (pages 4 – 6).

**⚠ DANGER**



- Operators and others in work area must wear safety glasses with side shields which conforms to ANSI Z87.1 specifications.

**⚠ WARNING**



- Never point tool at yourself or others in work area.
- Keep fingers away from trigger when not driving nails to avoid accidental firing.
- Choice of triggering method is important. Please read and understand “Methods of operation” found below.
- Never place your face, hands or feet near firing head when using.
- Do not drive nails on the top of other nails or with Nailer at too steep of an angle; nails can ricochet and hurt someone.
- In order to avoid double fire or unwanted ejection of a nail due to bouncing of the Nailer. 1) release trigger quickly when performing trigger fire.
- Do not drive nails into thin boards or near corners and edges of workpiece. Nails can be driven through or away from workpiece and hit someone.
- Never drive nails from both sides of a wall at the same time. Nails can be driven into and through the wall and hit a person on the opposite side.

- Never use Nailer which is defective or operating abnormally.
- Do not use Nailer as hammer.
- Disconnect air hose from Nailer when:
  - 1) adjusting the nose;
  - 2) it is not in use;
  - 3) leaving work area;
  - 4) moving it to another location; and
  - 5) handing it to another person.

## METHODS OF OPERATION

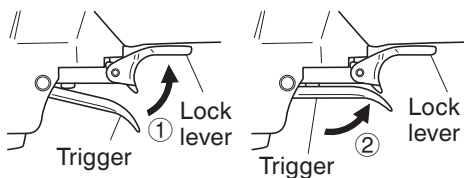
### ⚠ WARNING

- After the lock lever has been pulled, nails can be driven simply by pulling the trigger. Do not touch the trigger or the lock lever other than when driving nails.
- Do not drive one nail on top of another.

## NOTE

When using the Nailer in low temperatures, operation may be affected.

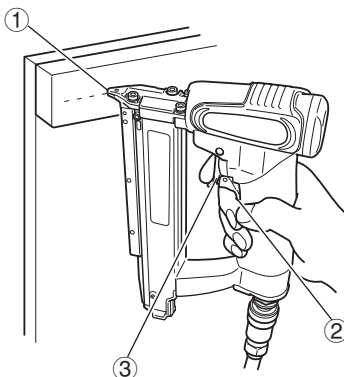
1. Using the trigger and lock lever  
In addition to the usual trigger, this Nailer is equipped with a lock lever that acts as a safety device. Nails are driven by pulling the lock lever and then pulling the trigger.



2. Driving nails

- ① Press the nail exit lightly against the position where you want to drive the nail.
- ② Pull the lock lever.

- ③ Pull the trigger.



## ADJUSTING THE NAILING DEPTH

### ⚠ WARNING

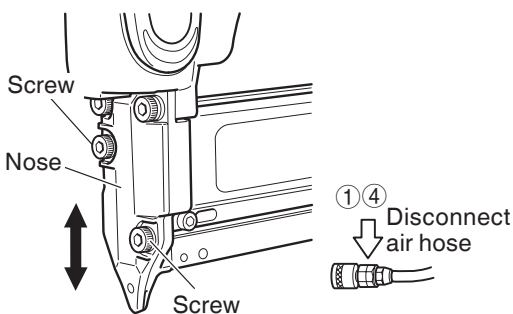
- When adjusting the nose, be sure to remove your finger from the trigger and disconnect the air hose from the Nailer.

To assure that each nail penetrates to the same depth, be sure that:

- 1) the air pressure to the Nailer remains constant (regulator is installed and working properly), and
- 2) the Nailer is always held firmly against the workpiece.

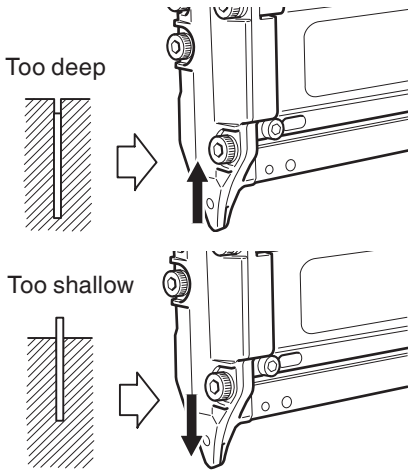
If nails are driven too deep or shallow into the workpiece, adjust the nailing in the following order.

- ① Disconnect air hose from Nailer.



- ② To adjust the driven-in depth of a nail, loosen the screw that secures a nose.

If the nail is driven in deeply, adjust the nose to “up”, and if it’s driven in shallowly, adjust the nose to “down”.



- ③ Tighten the screw to fasten the nose when a suitable position is reached for a nailing test.
- ④ Connect the air hose.  
Always wear eye protector.  
Perform a nailing test.
- ⑤ Disconnect air hose from Nailer.
- ⑥ Choose a suitable position for the nose.

**USING THE NOSE CAP**

**⚠ WARNING**

- When attaching or detaching the nose cap, be sure to remove your finger from the trigger and disconnect the air hose from the Nailer.

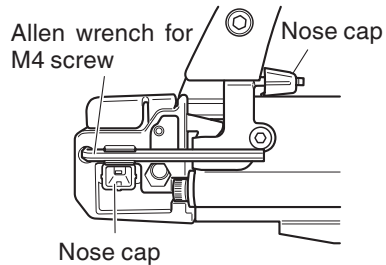
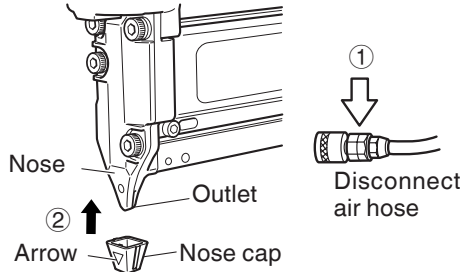
If you like to protect the surface of workpiece against scratches or markings made by the nose, attach the accessory nose cap to the nose.

- ① Disconnect air hose from Nailer.
- ② Put the nose cap to the toe of the push lever.
- ③ Attach the nose cap to the nose with the arrow mark on the cap facing toward the front.

- ④ When not using the nose cap, secure in the storage compartment located on the reverse side of the magazine.

**NOTE**

The nose cap may reduce nailing depth due to its thickness. Re-adjustment of nailing depth is required.



**REMOVING THE NAILS**

**⚠ WARNING**

- Before removing the nails, be sure to remove your finger from the trigger and disconnect the air hose.

- (1) When 15 or more nails remain
  - Depress the stop lever and pull out the magazine cover.
  - Remove the nails from the magazine.
- (2) When fewer than 15 nails remain
  - Remove the nose using the 3 mm Allen wrench stored in the back-end of the magazine.
  - Remove the nails from the guide surface of the blade guide.  
(See section 1 of “MAINTENANCE AND INSPECTION” on page 16)

**NOTE**

When fewer than 15 nails remain, use caution as it is hard to see the remaining nails in the blade guide.

**HANDLING THE NAILS****NOTE**

- Handle the nails carefully  
If nails are dropped, the connection may break. Using nails in this condition may cause mis-feeding and jamming.
- Do not expose the nails to the outside air or to direct sunlight for long periods as this may lead to rusting or faulty connection of the nails. When not in use, keep the nails in the box.

# MAINTENANCE

## NOTE

The information contained in this manual is designed to assist you in the safe maintenance of the Nailer.

Some illustrations in this manual may show details or attachments that differ from those on your own Nailer.

## MAINTENANCE AND INSPECTION

Read section titled “SAFETY” (pages 4 – 6).

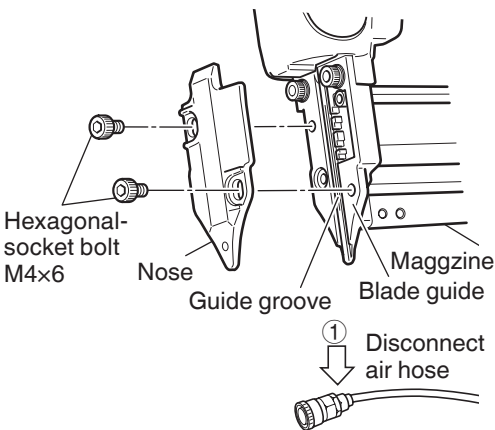
### ⚠ WARNING

- **Disconnect air hose, remove your finger from the trigger and remove all nails from Nailer when:**
  - 1) **doing maintenance and inspection; and**
  - 2) **clearing a jam.**

#### 1. Clearing a jam

Remove a jammed nail in the following order:

- ① Disconnect air hose.
- ② Remove all nails.
- ③ Remove the nose with the Allen wrench stored in the rear of the magazine.



- ④ Remove the jammed nail with a slotted-head screwdriver.
- ⑤ Install the nose.
- ⑥ In case of frequent jam, contact a Hitachi authorized service center.

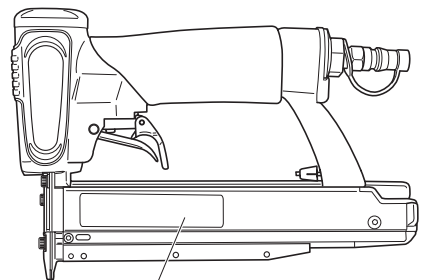
#### 2. Storing

- When not in use for an extended period, apply a thin coat of the lubricant to the steel parts to avoid rust.
- Do not store the Nailer in a cold weather environment. Keep the Nailer in a warm area.
- When not in use, the Nailer should be stored in a warm and dry place. Keep out of reach children.

#### 3. Warning label

Change the warning label if missing or damaged.

A new warning label is available from a Hitachi authorized service center.



Warning label

4. Maintenance chart (page 18)
5. Operator troubleshooting (pages 18 – 19)
6. Service parts list

### ⚠ CAUTION

**Repair, modification and inspection of Hitachi Power Tools must be carried out by a Hitachi Authorized Service Center.**

**This Parts List will be helpful if presented with the tool to the Hitachi Authorized Service Center when requesting repair or other maintenance.**



**In the operation and maintenance of power tools, the safety regulations and standards prescribed in each country must be observed.**

## **MODIFICATIONS**

Hitachi Power Tools are constantly being improved and modified to incorporate the latest technological advancements.

Accordingly, some parts may be changed without prior notice.

---

## **SERVICE AND REPAIRS**

---

 <b>WARNING</b>
--

- **Only service personnel trained by Hitachi, distributor or employer shall repair the Nailer.**
- **Use only parts supplied or recommended by Hitachi for repair.**

All quality Nailers will eventually require servicing or replacement of parts because of wear from normal use.

## **NOTE**

Specifications are subject to change without any obligation on the part of HITACHI.

Maintenance chart

ACTION	WHY	HOW
Drain air line filter daily.	Prevent accumulation of moisture and dirt.	Open manual petcock.
Keep lubricator filled.	Keep the Nailer lubricated.	Fill with Hitachi pneumatic tool lubricant.
Clean filter element — then blow air through filter in direction opposite to normal flow.	Prevent clogging of filter with dirt.	Follow manufacturer's instructions.
Clean magazine and feeder mechanism.	Prevent a jam.	Blow clean daily.
Keep push lever working properly.	Promote operator safety and efficient Nailer operation.	Blow clean daily.
Lubricate the Nailer after nailing.	Extend the Nailer life.	Supply 5 – 10 drops of lubricant into the Nailer.
Drain air compressor.	Keep the Nailer operated properly.	Open petcock on air compressor tank.

Operator troubleshooting

Most minor problems can be resolved quickly and easily using the table below.  
If problems persist, contact a Hitachi authorized service center for assistance.

PROBLEM	CHECK METHOD	CORRECTION
Nailer operates, but no nail is driven.	Check for a jam.	Clear a jam page 16.
	Nailer feeder damaged?	Replace nail feeder.
	Ribbon spring weakend or damaged?	Replace ribbon spring.
	Check for proper nails.	Use only recommended nails.
Weak drive. Slow to cycle.	Check air pressure.	Increase air pressure. (Do not exceed 100 psi (6.9 bar 7 kgf/cm <sup>2</sup> ))
	Check position of nailing depth adjuster.	Readjust per page 13 – 14.
	—————	Use Hitachi pneumatic tool lubricant.
	Driver blade worn?	Contact Hitachi for replacement.
	Piston O-ring worm or damaged?	
Drives too deep.	Check air pressure.	Reduce air pressure. (Adjust 64 – 100 psi (4.4 – 6.9 bar 4.5 – 7 kgf/cm <sup>2</sup> ))
	Check position of nailing depth adjuster.	Readjust per page 13 – 14.

PROBLEM	CHECK METHOD	CORRECTION
Skipping nails Intermittent feed.	Check for proper nails.	Use only recommended nails.
	Nailer feeder damaged?	Replace nail feeder.
	Ribbon spring weakend or damaged?	Replace ribbon spring.
	Piston O-ring worn or damaged?	Contact Hitachi for replacement.
Nails jam. Driven nail is bent.	Check for proper nails.	Use only recommended nails.
	Driven blade worn?	Contact Hitachi for replacement.
Drives properly during normal operation, but does not drive fully at faster nailing speeds.	Check inside diameter of air hose.	Use larger air hose.

---

## INFORMATION IMPORTANTE

---



Lire et bien assimiler toutes les étiquettes de l'outil ainsi que toutes les instructions de fonctionnement, les consignes de sécurité et les avertissements de ce mode d'emploi avant d'utiliser ou d'entretenir ce cloueur.

Le non respect des avertissements pourrait entraîner la mort ou des blessures graves.

la plupart des accidents résultant de l'utilisation ou de l'entretien des cloueurs sont dus au non respect de certaines consignes et précautions de sécurité élémentaires. Un accident peut souvent être évité en reconnaissant une situation potentiellement dangereuse avant qu'elle ne se produise, et en respectant les procédures de sécurité applicables.

Les consignes de sécurité élémentaires sont données dans la section "SECURITE" du manuel et dans les sections relatives aux instructions d'utilisation et d'entretien.

Les dangers à éviter pour empêcher tout risque de blessures ou de dommage de l'outil sont identifiés par les mots DANGER et AVERTISSEMENT, sur le cloueur et dans ce manuel.

Ne jamais utiliser ce cloueur pour des applications autres que celles qui sont spécifiées dans ce manuel.

---

## DEFINITION DES MOTS DE SIGNALISATION

---

**DANGER** indique une situation imminente dangereuse qui, si elle n'est pas évitée, entraînera la mort ou des blessures graves.

**AVERTISSEMENT** indique une situation potentiellement dangereuse qui, si elle n'est pas évitée, risque d'entraîner la mort ou des blessures graves.

**ATTENTION** indique une situation potentiellement dangereuse qui, si elle n'est pas évitée, risque d'entraîner des blessures légères ou modérées, ou d'endommager l'outil.

**REMARQUE** met en relief les informations essentielles.

# SECURITE

## CONSIGNES DE SECURITE IMPORTANTES POUR L'UTILISATION DU CLOUEUR

### LIRE TOUTES CES INSTRUCTIONS

#### DANGER

- 1. LES OPÉRATEURS ET LES AUTRES PERSONNES DANS L'AIRE DE TRAVAIL DOIVENT PORTER DES LUNETTES DE PROTECTION AVEC VISIÈRES LATÉRALES.**



Quand on utilise le cloueur, toujours porter des lunettes de protection avec visières latérales, et veiller à ce que les autres personnes dans la zone de travail en portent également.

Les lunettes de protection devront respecter les exigences de l'ANSI (American National Standards Institute) Z87.1 et assurer la protection contre les projections de particules arrivant par l'avant et par le côté.

L'employeur doit veiller à ce que la personne qui utilise le cloueur et les autres personnes dans l'aire de travail portent des lunettes de protection.

- 2. NE JAMAIS UTILISER D'OXYGÈNE NI AUCUN AUTRE GAZ EN BOUTEILLE. IL POURRAIT SE PRODUIRE UNE EXPLOSION.**



Ne jamais utiliser d'oxygène, de gaz combustibles ni aucun autre gaz en bouteille comme source d'alimentation du cloueur.

L'utilisation de ces gaz serait dangereuse, car le cloueur exploserait.

Utiliser exclusivement de l'air comprimé propre, sec et régulé.

#### AVERTISSEMENT

- 3. NE JAMAIS DIRIGER L'OUTIL VERS SOI NI VERS QUELQU'UN D'AUTRE DANS L'AIRE DE TRAVAIL.**



Toujours supposer que le cloueur renferme des clous.

Ne jamais diriger le cloueur vers soi ni vers quelqu'un d'autre, qu'il renferme des

clous ou non.

Si l'on enfonce des clous par erreur, cela risque de provoquer des blessures graves.

Ne jamais s'amuser avec le cloueur.

Le cloueur est un instrument de travail. Le respecter.

- 4. NE PAS APPROCHER LES DOIGTS DE LA DOUBLE GÂCHETTE (GÂCHETTE ET LEVIER DE VERROUILLAGE) QUAND ON N'ENFONCE PAS DE CLOUS POUR ÉVITER TOUT RISQUE DE DÉCLENCHEMENT ACCIDENTEL.**

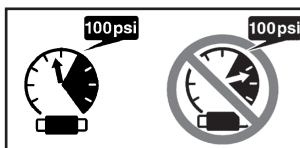
Ne jamais transporter le cloueur avec le doigt sur la double gâchette, car on risquerait d'enfoncer accidentellement un clou et de se blesser ou de blesser quelqu'un d'autre.

Toujours transporter le cloueur exclusivement par sa poignée.

- 5. LE CHOIX DE LA MÉTHODE D'UTILISATION EST IMPORTANT.**

Lire et bien assimiler la section intitulée "Méthodes d'utilisation". (pages 31 – 32)

- 6. NE PAS DÉPASSER 100 psi. (6.9 bars 7 kgf/cm<sup>2</sup>)**



Ne pas dépasser la pression d'air maximale recommandée de 100 psi (6.9

bars 7 kgf/cm<sup>2</sup>).

## SECURITE - suite

Ne jamais raccorder le cloueur à une pression susceptible de dépasser 200 psi (13.7 bars 14 kgf/cm<sup>2</sup>) car le cloueur pourrait exploser.

### 7. TOUJOURS PORTER DES PROTECTIONS ANTI-BRUIT ET UN CASQUE.

Toujours porter des protections anti-bruit pour ne pas s'endommager l'ouïe.

Toujours porter un casque pour se protéger la tête contre les projectiles.

### 8. RANGER LE CLOUEUR CORRECTEMENT.

Quand on ne s'en sert pas, ranger le cloueur dans un endroit sec. Le ranger hors de portée des enfants. Verrouiller la zone de rangement.

### 9. MAINTENIR L'AIRE DE TRAVAIL PROPRE.

Une aire encombrée invite les blessures. Enlever tous les outils inutiles, débris, meubles, etc. de l'aire de travail.

### 10. NE JAMAIS UTILISER EN PRESENCE DE LIQUIDES OU DE GAZ INFLAMMABLES.

Le cloueur provoque des étincelles quand il fonctionne.

Ne jamais utiliser le cloueur dans un endroit renfermant de la laque, de la peinture, de la benzine, du diluant, de l'essence, des gaz, des agents adhésifs ni aucune autre matière combustible ou explosive.

### 11. ELOIGNER LES VISITEURS.

Ne pas laisser les visiteurs manipuler le cloueur.

Tous les visiteurs devront rester en dehors de l'aire de travail.

### 12. PORTER UN HABILLEMENT APPROPRIE.

Ne porter ni vêtements lâches ni bijoux qui pourraient se prendre dans les pièces en mouvement.

Porter des gants de caoutchouc et des chaussures solides si l'on travaille dehors.

Si l'on a les cheveux longs, les maintenir serrés dans un couvre-chef.

### 13. NE JAMAIS UTILISER DE COUPLEUR NON DEGAGEANT SUR LE CLOUEUR.

Si l'on utilise un coupleur non dégageant sur le cloueur, le cloueur risque de rester

chargé d'air après le débranchement, et donc d'enfoncer un clou même après qu'il est débranché.

Le cloueur et le tuyau d'air doivent avoir un coupleur de tuyau tel que toute la pression soit évacuée du cloueur quand on débranche le joint de couplage.

### 14. VERIFIER LA DOUBLE GACHETTE AVANT L'UTILISATION.

Le cloueur ne fonctionnera pas si le levier de verrouillage n'est pas tiré avant la gâchette.

S'assurer que le levier de verrouillage fonctionne correctement. (Le levier de verrouillage est parfois appelé "sécurité".) Ne jamais utiliser le cloueur si le levier de verrouillage ne fonctionne pas correctement.

Un clou pourrait s'enfoncer accidentellement. Ne pas toucher au levier de verrouillage ni le retirer, car il pourrait ne plus fonctionner.

Alors qu'aucun clou n'est chargé dans le cloueur, connecter le tuyau d'air et vérifier les points suivants.

○ Aucun bruit de fonctionnement n'est émis par le piston à l'intérieur du cloueur lorsque la gâchette est tirée avant de commencer par tirer sur le levier de verrouillage.

L'utilisation du cloueur alors qu'il ne fonctionne pas normalement présente un risque de blessure. En cas d'anomalie, contacter le lieu d'achat du cloueur ou le service après-vente Hitachi agréé le plus proche pour le faire réparer.

### 15. VEILLER A CE QUE TOUTES LES VIS ET LES COUVERCLES SOIENT EN PLACE ET BIEN SERRES.

Veiller à ce que les vis et les couvercles soient solidement fixés. Les vérifier périodiquement.

Ne jamais utiliser le cloueur si des pièces manquent ou sont endommagées.

### 16. NE PAS CHARGER DE CLOUS SI LA GACHETTE OU LE LEVIER DE VERROUILLAGE SONT TIREES.

Quand on charge des clous dans le cloueur ou qu'on raccorde le tuyau d'air,

## SECURITE - suite

- 1) ne pas tirer sur la gâchette;
  - 2) ne pas tirer sur le levier de verrouillage; et
  - 3) diriger le cloueur vers le bas.
- 17. ELOIGNER LE VISAGE, LES MAINS ET LES PIEDS DE LA TETE DE CLOUAGE EN TOUT TEMPS.**  
Ne jamais approcher le visage, les mains ni les pieds de la tête de clouage.
- 18. PLACER LE CLOUEUR CORRECTEMENT SUR LA PIECE.**  
Ne pas enfoncer de clous sur d'autres clous ni avec le cloueur à un angle trop aigu; les clous pourraient ricocher et blesser quelqu'un.
- 19. ATTENTION AU RAPPEL.**  
Lorsqu'un clou est enfoncé dans une pièce dure, le cloueur peut rebondir. Veiller à éloigner le visage du cloueur.
- 20. NE PAS ENFONCER DE CLOUS DANS DES PLANCHES MINCES NI PRES DES COINS ET DES BORDS DE LA PIECE.**  
Les clous pourraient traverser la pièce ou s'enfoncer ailleurs que dans la pièce et blesser quelqu'un.
- 21. NE JAMAIS ENFONCER DE CLOUS DES DEUX COTES D'UN MUR EN MEME TEMPS.**  
Les clous pourraient traverser le mur et blesser quelqu'un de l'autre côté.
- 22. VERIFIER S'IL Y A DES FILS SOUS TENSION.**  
Pour éviter tout risque d'électrocution grave, vérifier s'il y a des fils sous tension dissimulés dans le mur, le plancher ou le plafond. Couper le disjoncteur pour s'assurer qu'il n'y a pas de fils sous tension.
- 23. NE PAS TRANSPORTER LE CLOUEUR PAR LE TUYAU.**
- 24. NE PAS TROP SE PENCHER.**  
Conserver une bonne assise et un bon équilibre à tout moment.
- 25. NE JAMAIS UTILISER UN CLOUEUR DEFECTUEUX OU QUI NE FONCTIONNE PAS NORMALEMENT.**  
Si le cloueur semble ne pas fonctionner comme d'habitude, qu'il fait des bruits bizarres ou qu'il semble défectueux, cesser immédiatement de l'utiliser et le faire réparer par un service après-vente Hitachi agréé.
- 26. NE PAS DEBRANCHER LE TUYAU D'AIR DU CLOUEUR AVEC LE DOIGT SUR LA GACHETTE.**  
Le cloueur pourrait se déclencher lorsque l'air sera à nouveau alimenté.
- 27. DEBRANCHER LE TUYAU D'AIR DU CLOUEUR QUAND :**
- 1) on entretient ou inspecte le cloueur;
  - 2) on charge les clous;
  - 3) on fixe ou retire le capuchon de bec;
  - 4) on utilise le crochet;
  - 5) on retire des clous coincés;
  - 6) on ne s'en sert pas;
  - 7) on quitte l'aire de travail;
  - 8) on le transporte dans un autre endroit; et
  - 9) on le passe à quelqu'un d'autre.
- Ne jamais retirer des clous coincés ni réparer le cloueur si le tuyau d'air n'est pas débranché du cloueur et que les clous restants ne sont pas tous retirés du cloueur.
- Ne jamais s'éloigner du cloueur car des personnes non familiarisées avec son fonctionnement pourraient le manipuler et se blesser.
- 28. RESTER SUR SES GARDES.**  
Regarder ce que l'on fait. Faire preuve de bon sens. Ne pas utiliser le cloueur lorsqu'on est fatigué.  
Ne jamais utiliser le cloueur si l'on est sous l'influence de médicaments, d'alcool ou de toute autre substance soporifique.
- 29. MANIPULER LE CLOUEUR CORRECTEMENT.**  
Utiliser le cloueur en suivant les instructions du manuel.  
Ne jamais permettre que le cloueur soit utilisé par des enfants, des personnes non familiarisées avec son fonctionnement ou des personnes non autorisées.
- 30. NE JAMAIS UTILISER LE CLOUEUR POUR DES APPLICATIONS AUTRES QUE CELLES QUI SONT SPECIFIEES DANS CE MANUEL.**

## SECURITE - suite

### 31. MANIPULER LE CLOUEUR AVEC PRECAUTION.

A cause de la pression d'air élevée à l'intérieur du cloueur, les fissures en surface sont dangereuses.

Pour éviter tout risque, ne pas faire tomber le cloueur ni le heurter contre des surfaces dures ; et ne pas le rayer ni graver des inscriptions dessus. Manipuler le cloueur avec précaution.

### 32. ENTREtenir SOIGNEUSEMENT LE CLOUEUR.

Veiller à ce que le cloueur soit toujours propre et graissé pour obtenir un fonctionnement optimal et en toute sécurité.

### 33. UTILISER EXCLUSIVEMENT DES PIÈCES, ACCESSOIRES OU CLOUS FOURNIS OU RECOMMANDÉS PAR HITACHI.

Des pièces, accessoires ou clous non autorisés pourraient annuler la garantie, entraîner un mauvais fonctionnement et provoquer des blessures.

Les réparations du cloueur seront confiées exclusivement au personnel d'entretien formé par Hitachi, au distributeur ou à l'employeur.

### 34. NE JAMAIS MODIFIER NI ALTÉRER UN CLOUEUR.

Cela pourrait provoquer un mauvais fonctionnement et entraîner des blessures physiques.

---

### RESPONSABILITES DE L'EMPLOYEUR

---

1. Veiller à ce que ce manuel reste à la disposition des personnes qui doivent utiliser ou entretenir le cloueur.
2. Veiller à ce que les cloueurs soient utilisés exclusivement lorsque les opérateurs et les autres personnes présentes dans l'aire de travail portent des lunettes de protection.
3. Obliger les opérateurs et les autres personnes présentes dans l'aire de travail à porter des lunettes de protection.
4. Maintenir les cloueurs en bon ordre de marche.
5. Entretenir les cloueurs correctement.
6. Veiller à ce que les cloueurs qui ont besoin d'être réparés ne soient plus utilisés avant d'être réparés.

# CONSERVER CE MANUEL ET LE METTRE A LA DISPOSITION DES UTILISATEURS !



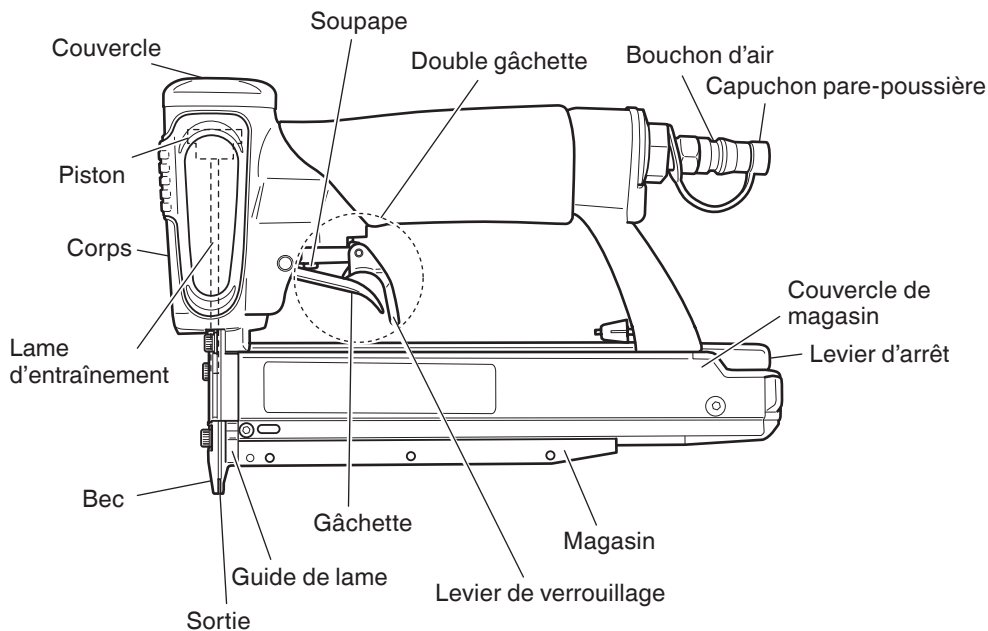
## UTILISATION

### REMARQUE

Les informations contenues dans ce manuel ont pour but d'aider l'opérateur à utiliser le cloueur en toute sécurité.

Certaines des illustrations du manuel peuvent montrer des détails ou des accessoires qui diffèrent de ceux de votre cloueur.

### NOM DES PIÈCES



## SPECIFICATIONS

Pression d'utilisation	64 – 100 psi (4.4 – 6.9 bar 4.5 – 7 kgf/cm <sup>2</sup> )
Dimensions Longueur x Hauteur x Largeur	9-3/8" × 6-3/8" × 1-27/32" (238 mm × 162 mm × 47 mm)
Poids	2.0 lbs. (0.9 kg)
Contenance de clous	100 clous
Consommation d'air	.018 ft <sup>3</sup> /cycle à 100 psi (.5 ltr/cycle à 6.9 bars) (.5 ltr/cycle à 7 kgf/cm <sup>2</sup> )
Arrivée d'air	Filetage 3/8 NPT

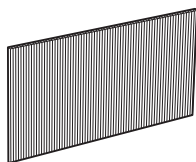
## SELECTION DES CLOUS

### ⚠ AVERTISSEMENT

- Bien utiliser exclusivement les clous HITACHI d'origine avec le NP35A. L'utilisation d'autres clous risque de provoquer un mauvais fonctionnement de l'outil et/ou une rupture des clous, et d'entraîner des blessures.

Seuls les clous indiqués dans le tableau ci-dessous pourront être utilisés avec ce cloueur.

Clous d'épingle de calibre 23



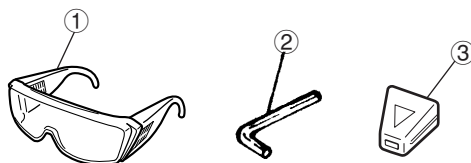
Min.	Max.
<p>.024" (0.6 mm)</p> <p>.024" (0.6 mm)</p> <p>5/8" (15 mm)</p>	<p>1-3/8" (35 mm)</p>

## ACCESSOIRES

### ⚠ AVERTISSEMENT

- Les accessoires autres que ceux indiqués ci-dessous risquent de mal fonctionner et de provoquer des blessures.

## ACCESSOIRES STANDARD



① Lunettes de protection	1
② Clé Allen pour vis M4	1
③ Chapuchon de bec (A)	2

## ACCESSOIRES EN OPTION

... vendus séparément

- Huile de machine pneumatique  
Alimenteur d'huile 1 oz (30 cc)  
(Code No. 877153)
- Alimenteur d'huile 4 oz (120 cc)  
(Code No. 874042)
- Alimenteur d'huile 1 quart (1 l)  
(Code No. 876212)

## REMARQUE

Les accessoires sont sujets à modification sans préavis et sans aucune obligation de la part de HITACHI.

## APPLICATIONS

- Installation de contreplaqués décoratifs, comme des plinthes et des bordures à l'intérieur de bâtiments.

## AVANT L'UTILISATION

Lire la section intitulée "SECURITE" (pages 21 – 24).

Bien vérifier les points suivants avant de travailler.

## ENVIRONNEMENT DE TRAVAIL

### ⚠ AVERTISSEMENT

- Pas de gaz ou liquides inflammables, ni aucun autre objet inflammable sur le chantier.
- Evacuer les enfants et les personnes non autorisées de l'aire de travail.

## ALIMENTATION D'AIR

### ⚠ DANGER



- Ne jamais utiliser d'oxygène ni aucun autre gaz en bouteille. Il pourrait se produire une explosion.

### ⚠ AVERTISSEMENT

- Never connect Nailer to pressure which potentially exceeds 200 psi (13.7 bar 14 kgf/cm<sup>2</sup>).
- Ne jamais utiliser de coupleur non dégageant sur le cloueur.

### 1. Alimentation

- Utiliser exclusivement de l'air comprimé propre, sec et régulé avec ce cloueur.
- Les compresseurs d'air utilisés pour alimenter l'air comprimé au cloueur devront respecter les exigences ANSI B19.3 "Normes de sécurité pour les compresseurs des industries de transformation".
- L'humidité ou l'huile dans le compresseur d'air peuvent accélérer l'usure et la corrosion du cloueur. Purger tous les jours.

### 2. Filtre-régulateur-lubrificateur

- Utiliser un régulateur d'une pression comprise entre 0 – 100 psi (0 – 6.9 bars 0 – 7 kgf/cm<sup>2</sup>).

Les unités filtre-régulateur-lubrificateur procureront les conditions optimales du cloueur et accroîtront sa durée de service. Toujours les utiliser.

### Filtre

Le filtre enlève l'humidité et la saleté mélangées à l'air comprimé.

Purger tous les jours, sauf si l'outil possède une purge automatique.

Nettoyer régulièrement le filtre.

### Régulateur

Le régulateur contrôle la pression de fonctionnement afin d'assurer la sécurité du cloueur.

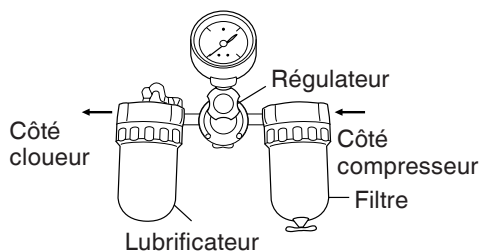
Inspecter le régulateur avant le travail pour s'assurer qu'il fonctionne correctement.

### Lubrificateur

Le lubrificateur alimente de l'huile vaporisée au cloueur.

Inspecter le lubrificateur avant le travail pour s'assurer que l'alimentation d'huile est adéquate.

Utiliser une huile de machine pneumatique Hitachi.



### 3. Tuyau d'air

Le tuyau d'air doit avoir une pression de travail minimum de 150 psi (10.4 bars 10.6 kgf/cm<sup>2</sup>) ou 150% de la pression maximum produite par le système, à savoir la plus élevée.

### 4. Consommation d'air

Sélectionner la taille du compresseur en se reportant au tableau de consommation d'air et aux formules de taille du compresseur.

Tableau de consommation d'air

	psi	80	90	100
Pression de fonctionnement	(bar)	(5.5)	(6.2)	(6.9)
	(kgf/cm <sup>2</sup> )	(5.6)	(6.3)	(7)
Consommation d'air	ft <sup>3</sup> /cycle	.011	.015	.018
	(l/cycle)	(.3)	(.4)	(.5)

## Formules de taille du compresseur d'air

Quantité d'air requise

= nombre de clous

× clous moyens enfoncés par minute par le cloueur

× consommation d'air à une pression donnée

× facteur de sécurité (toujours 1.2)

Exemple: 3 cloueurs fonctionnant à 100 psi et enfonçant 30 clous par minute

Quantité d'air requise

= 3 × 30 × .018 (.5) × 1.2

= 1.9 CFM (ft<sup>3</sup>/min) (94 ltr/min)

Effectuer le calcul ci-dessus pour obtenir un compresseur fournissant les 1.9 CFM d'air nécessaires.

## GRAISSAGE

Il est essentiel que le cloueur soit graissé correctement. Si le cloueur est mal graissé, il ne fonctionnera pas correctement et les pièces s'useront prématurément.

- Utiliser une huile de machine Hitachi.

Ne pas utiliser d'huile détergente ni d'additifs. Ces lubrifiants endommageraient les joints toriques et les autres pièces en caoutchouc. Cela provoquerait un mauvais fonctionnement du cloueur.

- Toujours utiliser des unités filtre-régulateur-lubrificateur.

Veiller à ce que le régulateur soit toujours plein d'huile de machine pneumatique Hitachi.

- Si l'on ne possède pas de lubrificateur, mettre 5 à 10 gouttes d'huile de machine pneumatique Hitachi dans le bouchon d'air du cloueur deux fois par jour.

## ENTRETIEN PAR TEMPS FROID

- Ne pas ranger le cloueur dans un environnement froid. Le laisser dans un endroit chaud jusqu'à ce que l'on soit prêt à travailler.

- Si le cloueur est déjà froid, l'amener dans un endroit chaud et le laisser réchauffer avant de l'utiliser.

① Réduire la pression d'air à 64 psi (4.4 bars 4.5 kgf/cm<sup>2</sup>).

② Sortir tous les clous du cloueur.

③ Raccorder le tuyau d'air et faire un essai de clouage (clouage à blanc).

La pression d'air inférieure sera suffisante pour le clouage à blanc.

Les opérations à vitesse lente ont tendance à chauffer les pièces mobiles.

## ⚠ ATTENTION

- Ne pas faire un essai de clouage à blanc à haute pression.

## ESSAI DU CLOUEUR



- Les opérateurs et les autres personnes dans l'aire de travail doivent porter des lunettes de protection avec visières latérales respectant les exigences ANSI Z87.1.



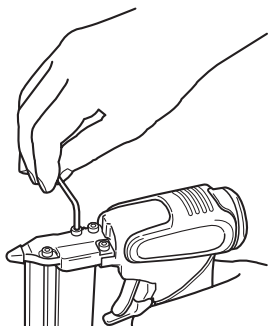
- Ne jamais utiliser le cloueur si le levier de verrouillage ne fonctionne pas correctement.

Avant de commencer le travail proprement dit, faire un essai de clouage en vérifiant les points ci-dessous. Effectuer les essais dans l'ordre indiqué.

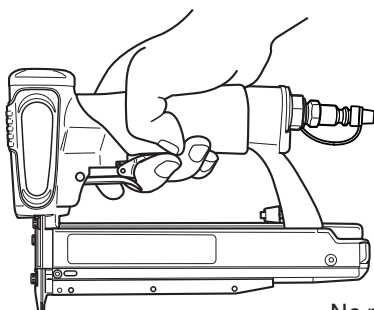
S'il se produit un fonctionnement anormal, cesser immédiatement d'utiliser le cloueur et contacter un service après-vente agréé Hitachi.

- (1) Debrancher le tuyau d'air du cloueur.  
Sortir tous les clous du cloueur.

- Toutes les vis doivent être serrées à fond.  
Si certaines vis sont relâchées, les revisser.



- Le levier de verrouillage et la gâchette doivent fonctionner avec souplesse.



Ne pas  
recorder le  
tuyau d'air

- (2) Régler la pression d'air sur 64 psi (4.4 bars 4.5 kgf/cm<sup>2</sup>).

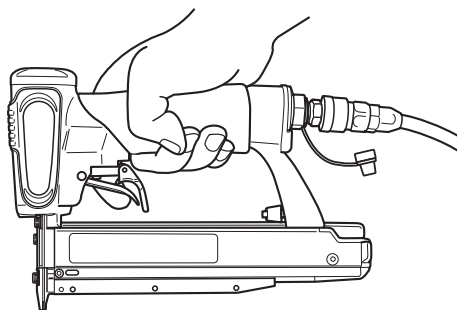
Raccorder le tuyau d'air.

Ne pas mettre de clous dans le cloueur.

- Le cloueur ne doit pas avoir de fuite d'air.

Diriger le cloueur vers le bas, sans toucher le levier de verrouillage et tirer sur la gâchette.

- Le cloueur ne doit pas fonctionner.



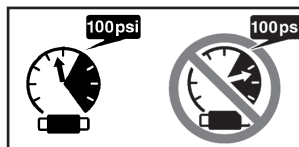
- (3) Si l'on ne remarque aucun fonctionnement anormal, on pourra mettre des clous dans le cloueur.

Enfoncer les clous dans un matériau du même type que celui du travail proprement dit.

- Le cloueur doit fonctionner correctement.

## RÉGLAGE DE LA PRESSION D'AIR

**⚠ AVERTISSEMENT**



- Ne pas dépasser 100 psi (6.9 bars 7 kgf/cm<sup>2</sup>).

Régler la pression d'air à la pression de travail recommandée de 64 – 100 psi (4.4 – 6.9 bars 4.5 – 7 kgf/cm<sup>2</sup>) en fonction de la longueur des clous et de la dureté du matériau.

La pression d'air correcte est la pression la plus basse capable d'effectuer le travail. L'utilisation d'une pression d'air supérieure à la pression nécessaire fatiguera inutilement le cloueur.

## CHARGEMENT DES CLOUS

**⚠ AVERTISSEMENT**

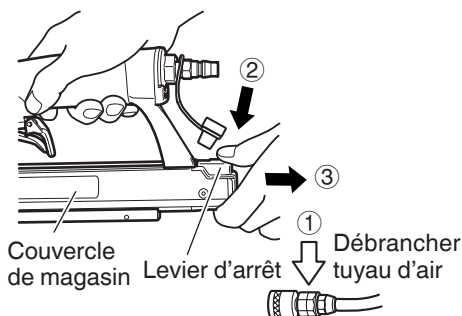
- Lors du chargement des clous dans le cloueur,

- 1) débrancher le tuyau d'air ;
- 2) ne pas tirer sur la gâchette, ni sur le levier de verrouillage ; et
- 3) diriger le cloueur vers le bas.

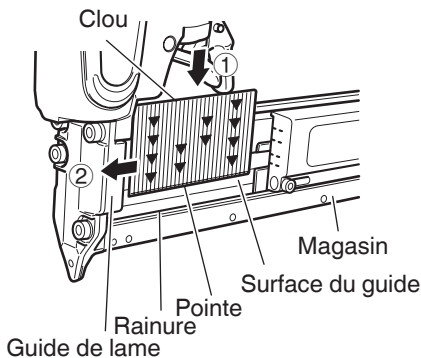
**REMARQUE**

Utiliser au moins 5 clous connectés.

- (1) ① Débrancher le tuyau d'air du cloueur.
- ② Abaisser légèrement le levier d'arrêt.
- ③ Extraire lentement le couvercle du magasin.



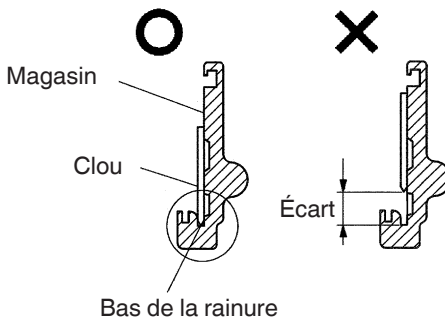
- (2) ① Placer les clous contre la surface du guide du magasin et insérer la pointe des clous aussi loin que possible dans la rainure sur le magasin.
- ② Charger les clous manuellement dans le magasin via le guide de lame.



- (3) Pousser le dos du couvercle du magasin vers l'avant et vérifier que les clous ne dépassent pas de la surface du guide du magasin avant de le refermer.

**REMARQUE**

- Charger les clous avec les pointes tournées vers la rainure sur le magasin.
- Ne pas charger de clous de longueurs différentes.
- Des clous entre 15 et 35 mm de long peuvent être utilisés avec ce cloueur sans aucun réglage, mais quel que soit leur longueur, veiller à ce que les pointes soient insérées aussi loin que possible dans la rainure du magasin.

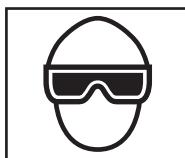


Le cloueur est maintenant prêt à fonctionner.

**UTILISATION DU CLOUEUR**

Lire la section intitulée "SECURITE" (pages 21 – 24).

**⚠ DANGER**



- Les opérateurs et les autres personnes dans l'aire de travail doivent porter des lunettes de protection avec visières latérales respectant les exigences ANSI Z87.1.

**⚠ AVERTISSEMENT**



- Ne jamais diriger l'outil vers soi ni vers quelqu'un d'autre dans l'aire de travail.

- Toujours éloigner le doigt de la gâchette quand on n'effectue pas de clouage afin d'éviter tout risque de déclenchement accidentel.
- Le choix de la méthode d'utilisation de la gâchette est important. Lire et bien assimiler les "Méthodes d'utilisation" présentées ci-dessous.
- Ne jamais approcher le visage, les mains ni les pieds de la tête de clouage.
- Ne pas enfoncer de clous sur d'autres clous ni avec le cloueur à un angle trop aigu ; les clous risquent de faire ricochet et de blesser quelqu'un.
- Pour éviter tout risque de déclenchement double ou toute éjection inadvertante d'un clou dus à un bondissement du cloueur.
  - 1) relâcher la gâchette rapidement lorsqu'on effectue un clouage par gâchette.
- Ne pas enfoncer de clous dans des planches minces ni près des coins et des bords de la pièce. Les clous pourraient traverser la pièce ou s'enfoncer ailleurs que dans la pièce et blesser quelqu'un.
- Ne jamais enfoncer de clous des deux côtés d'un mur en même temps. Les clous pourraient traverser le mur et blesser quelqu'un de l'autre côté.
- Ne jamais utiliser le cloueur s'il est défectueux ou qu'il ne fonctionne pas normalement.
- Ne pas se servir du cloueur comme d'un marteau.
- Débrancher le tuyau d'air du cloueur Quand :
  - 1) on règle le bec ;
  - 2) on ne s'en sert pas ;
  - 3) on quitte l'aire de travail ;
  - 4) on le transporte dans un autre endroit ; et
  - 5) on le passe à quelqu'un d'autre.

## METHODES D'UTILISATION

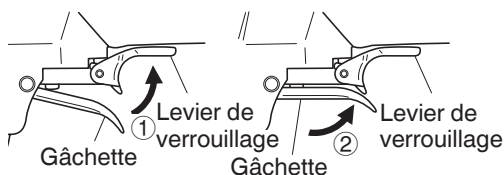
### ⚠ AVERTISSEMENT

- Après avoir tiré sur le levier de verrouillage, il est possible d'enfoncer les clous en tirant simplement sur la gâchette. Ne toucher la gâchette ni le levier de verrouillage que lorsqu'on enfonce les clous.
- Ne pas enfoncer un clou sur un autre clou.

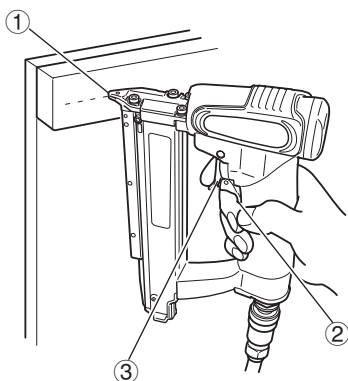
### REMARQUE

Le fonctionnement du cloueur peut être perturbé à basse température.

1. Utilisation de la gâchette et du levier de verrouillage  
 Outre la gâchette habituelle, ce cloueur est équipé d'un levier de verrouillage faisant office de dispositif de sécurité. Les clous sont enfoncés en tirant sur le levier de verrouillage, puis sur la gâchette.



2. Pour enfoncer les clous
  - ① Appuyer légèrement la sortie du clou contre la position où l'on souhaite enfoncer le clou.
  - ② Tirer sur le levier de verrouillage.
  - ③ Tirer sur la gâchette.



## RÉGLAGE DE LA PROFONDEUR DE CLOUAGE

### ⚠ AVERTISSEMENT

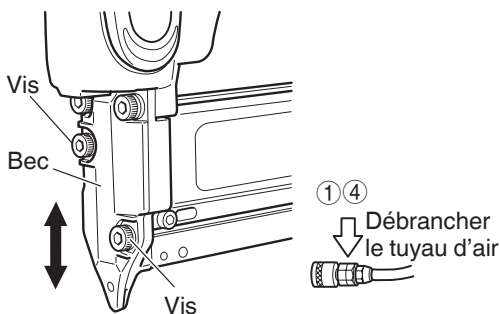
- Lors de l'ajustement du bec, s'assurer de retirer son doigt de la gâchette et de débrancher le tuyau d'air du cloueur.

Pour que les agrafes s'enfoncent tous à la même profondeur, s'assurer que:

- 1) la pression d'air du cloueur reste constante (le régulateur est installé et il fonctionne normalement), et
- 2) le cloueur est toujours maintenue fermement contre la pièce;

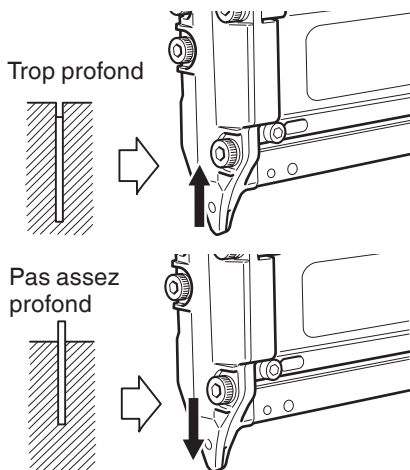
Si les clous sont enfoncés trop loin ou pas assez dans la pièce, régler le clouage dans l'ordre suivant.

- ① Débrancher le tuyau d'air du cloueur.



- ② Pour régler la profondeur de clouage, desserrer la vis de bec.

Si le clou doit être cloué profondément, régler le bec sur « haut », et si elle doit être clouée peu profondément, régler le bec sur « bas ».



- ③ Serre la vis pour fixer le bec une fois la position de clouage d'essai adéquate atteinte.
- ④ Brancher le tuyau d'air. Toujours porter des lunettes de protection. Effectuer un clouage d'essai.
- ⑤ Débrancher le tuyau d'air du cloueur.
- ⑥ Sélectionner la position du bec qui convient.

## UTILISATION DU CAPUCHON DE BEC

### ⚠ AVERTISSEMENT

- Lors de la fixation ou du retrait du capuchon de bec, s'assurer de retirer son doigt de la gâchette et de débrancher le tuyau d'air du cloueur.

Pour protéger la surface de la pièce de toute éraflure et de toutes les marques laissées par le bec, fixer le capuchon de bec sur le bec.

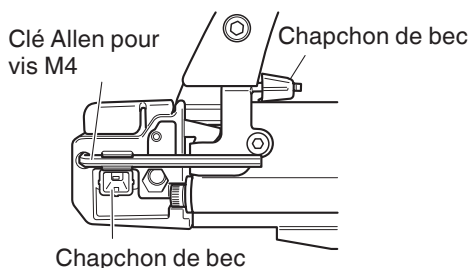
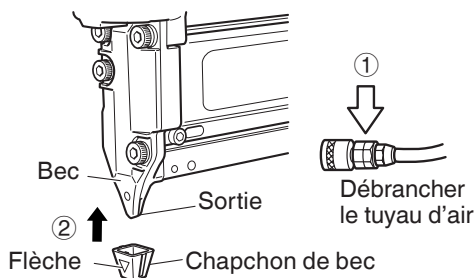
- ① Disancher le tuyau d'air du cloueur.
- ② Placer le capuchon de bec sur le sabot du levier-poussoir.
- ③ Fixer le capuchon de bec au bec avec le repère fléché sur le bec tourné vers l'avant.



- ④ Lorsqu'on ne se sert pas du capuchon avant, le ranger dans le compartiment de rangement situé sur le dessous du magasin.

### REMARQUE

Du fait de son épaisseur, le capuchon de bec peut réduire la profondeur de clouage. Rérégler la profondeur de clouage.



### RETIRER LES CLOUS

#### ⚠ AVERTISSEMENT

- Avant de retirer les clous, bien retirer le doigt de la gâchette et débrancher le tuyau d'air.

- (1) Lorsqu'il reste 15 clous ou plus
- Abaisser le levier d'arrêt et extraire le couvercle du magasin.
  - Retirer les clous du magasin.
- (2) Lorsqu'il reste moins de 15 clous
- Retirer le bec au moyen de la clé hexagonale de 3 mm placée au dos du magasin.
  - Retirer les clous de la surface du guide de lame.
- (Voir la section 1 de « ENTRETIEN ET INSPECTION » à la page 34)

### REMARQUE

Lorsqu'il reste moins de 15 clous, prendre garde car il est difficile de voir les clous restants dans le guide de lame.

### MANIPULATION DES CLOUS

#### REMARQUE

- Manipuler soigneusement les clous. Si des clous tombent, la connexion peut se rompre. L'utilisation de clous dans ces conditions peut entraîner une mauvaise alimentation et un bourrage.
- Ne pas exposer les clous à l'air extérieur ou aux rayons directs du soleil pendant des périodes prolongées sous peine de les rouiller ou d'altérer la connexion des clous. Conserver les clous non utilisés dans une boîte.

## ENTRETIEN

### REMARQUE

Les informations contenues dans ce manuel ont pour but d'aider l'opérateur à utiliser le cloueur en toute sécurité.

Certaines des illustrations du manuel peuvent montrer des détails ou des accessoires qui diffèrent de ceux de votre cloueur.

### ENTRETIEN ET INSPECTION

Lire la section intitulée "SECURITE" (pages 21 – 24).

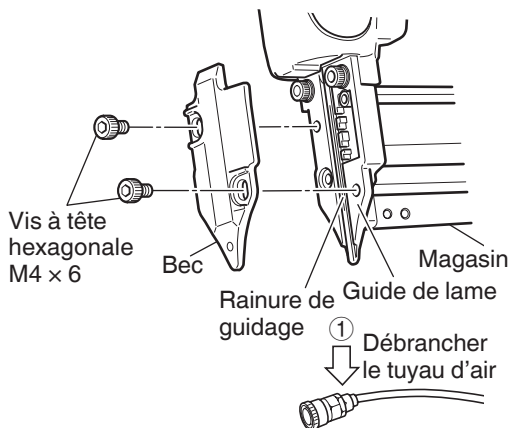
#### ⚠ AVERTISSEMENT

- **Débrancher le tuyau d'air, retirer le doigt de la gâchette et sortir tous les clous du cloueur quand :**
  - 1) on entretient ou on inspecte le cloueur ; et
  - 2) on retire des clous coincés.

#### 1. Elimination d'un blocage

Retirer un clou bloqué dans l'ordre suivant :

- ① Débrancher le tuyau d'air.
- ② Retirer tous les clous.
- ③ Retirer le bec au moyen de la clé hexagonale placée au dos du magasin.



- ④ Retirer le clou coincé avec untournevis pour écrou à fente.
- ⑤ Installer le bec.

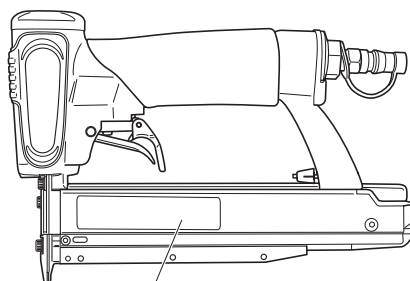
- ⑥ Si les clous se coincent fréquemment, contacter un service après-vente Hitachi agréé.

#### 2. Remisage

- Si l'on ne se sert pas du cloueur pendant un certain temps, enduire ses pièces en acier d'une mince couche de graisse pour éviter toute corrosion.
- Ne pas remisier le cloueur dans un environnement froid. Le laisser dans un endroit chaud.
- Lorsqu'on ne se sert pas du cloueur, le remisier dans un endroit chaud et sec. Le ranger hors de portée des enfants.

#### 3. Etiquette d'avertissement

Remplacer l'étiquette d'avertissement si elle manque ou qu'elle est endommagée. Se procurer une nouvelle étiquette d'avertissement auprès d'un service après-vente Hitachi agréé.



#### 4. Tableau d'entretien (page 35)

#### 5. Guide de dépannage de l'opérateur (page 36)

## 6. Liste des pièces de rechange

**⚠ ATTENTION**

Les réparations, modifications et inspections des outils électriques Hitachi doivent être confiées à un service après-vente Hitachi agréé.

Il sera utile de présenter cette liste de pièces au service après-vente Hitachi agréé lorsqu'on apporte un outil nécessitant des réparations ou tout autre entretien.

Lors de l'utilisation et de l'entretien d'un outil électrique, respecter les règlements et les normes de sécurité en vigueur dans le pays en question.

**MODIFICATIONS**

Les outils électriques Hitachi sont constamment améliorés et modifiés afin d'incorporer les tous derniers progrès technologiques.

En conséquence, il est possible que certaines pièces soient modifiées sans avis préalable.

## Tableau d'entretien

ACTION	POURQUOI	COMMENT
Purger le filtre de la ligne d'air tous les jours.	Eviter l'accumulation d'humidité et de poussière.	Ouvrir le robinet de purge manuel.
Veiller à ce que le lubrificateur soit toujours plein.	Maintenir le cloueur bien graissé.	Remplir d'huile de machine pneumatique Hitachi.
Nettoyer l'élément du filtre — puis souffler de l'air dans le filtre dans le sens inverse du débit normal.	Eviter le colmatage du filtre par la saleté.	Suivre les instructions du fabricant.
Nettoyer le magasin et le mécanisme de l'alimenteur de clous.	Eviter que les clous ne se coincent.	Nettoyer en soufflant de l'air tous les jours.
Veiller à ce que le levier-poussoir fonctionne toujours correctement.	Assurer la sécurité de l'opérateur et un fonctionnement efficace du cloueur.	Nettoyer en soufflant de l'air tous les jours.
Graisser le cloueur après l'utilisation.	Rallonger la durée de service du cloueur.	Mettre 5 ou 10 gouttes de graisse dans le cloueur.
Purger le compresseur d'air.	Maintenir le cloueur en bon ordre de marche.	Ouvrir le robinet de purge du réservoir du compresseur d'air.

**ENTRETIEN ET REPARATIONS****⚠ AVERTISSEMENT**

- Les réparations du cloueur seront confiées exclusivement au personnel d'entretien formé par Hitachi, au distributeur ou à l'employeur.
- Pour les réparations, utiliser exclusivement des pièces fournies ou recommandées par Hitachi.

Du fait de l'usure normale, les cloueurs de qualité finissent toujours par avoir besoin d'un entretien ou d'un remplacement de pièce.

**REMARQUE**

Les spécifications sont sujettes à modification sans préavis et sans aucune obligation de la part de HITACHI.

## Guide de dépannage de l'opérateur

En suivant le tableau ci-dessous, la plupart des problèmes mineurs pourront être corrigés rapidement et en toute facilité.

Si le problème persiste, contacter un service après-vente Hitachi agréé.

PROBLEME	VERIFICATION	CORRECTION
Le cloueur fonctionne, mais les clous ne s'enfoncent pas.	Vérifier si une agrafe est coincée.	Dégager l'agrafe coincée page 34.
	L'alimenteur des cloueurs est-il endommagé?	Remonter l'alimenteur des cloueurs.
	Le ressort à ruban est-il distendu ou endommagé?	Remplacer le ressort à ruban.
	Vérifier si l'on utilise les bons clous.	Utiliser uniquement les clous recommandés.
Entraînement faible. Cycle lent.	Vérifier la pression d'air.	Augmenter la pression d'air. (Ne pas dépasser 100 psi (6.9 bar 7 kgf/cm <sup>2</sup> ))
	Vérifier la position du dispositif de réglage de profondeur de clouage.	Refaire le réglage selon les indications de la page 32.
	-----	Utiliser une hile de machine pneumatique Hitachi.
	La lame d'entraînement est-elle usée ?	Contacter Hitachi pour remplacement.
	La joint torique du piston est-il usé ou endommagé?	
Les clous s'enfoncent trop profondément.	Vérifier la pression d'air.	Réduire la pression d'air. (Régler sur 64 – 100 psi (4.4 – 6.9 bar 4.5 – 7 kgf/cm <sup>2</sup> ))
	Vérifier la position du dispositif de réglage de profondeur de clouages	Refaire le réglage selon les indications de la page 32.
Certaines clous sont sautées. Alimentation intermittente.	Vérifier si l'on utilise les bons clouages.	Utiliser uniquement les clous recommandés.
	L'cloueur d'agrafes est-il endommagé?	Nettoyer et graisser.
	Le ressort à ruban est-il distendu ou endommagé?	Replacer le ressort à ruban.
	Le joint torique du piston est-il usé ou endommagé?	Contacter Hitachi pour le remplacement.
Des clous se coincent. Les clous enfoncés sont tordus.	Vérifier si l'on utilise les bons clous.	Utiliser uniquement les clous recommandés.
	La lame d'entraînement est-elle usée?	Contacter Hitachi pour le remplacement.
Les clouages fonctionnent bien normalement, mais pas complètement à des vitesses supérieures.	Vérifier le diamètre intérieur du tuyau d'air.	Utiliser un tuyau d'air plus large.

---

## INFORMACIÓN IMPORTANTE

---



Lea y comprenda el significado de las etiquetas de la herramienta y todas las instrucciones de funcionamiento, las precauciones de seguridad y las advertencias de este manual antes de realizar la operación o el mantenimiento de este clavador.

La negligencia en la observación de las advertencias puede producir la muerte o lesiones de gravedad.

La mayoría de los accidentes ocurridos al utilizar o mantener este clavador se deben a la falta de tener en cuenta las normas de seguridad y precauciones básicas. Los accidentes podrán evitarse en muchos casos dándose cuenta de una situación peligrosa antes de que se produzca, y siguiendo fielmente los procedimientos de seguridad apropiados.

Las precauciones básicas de seguridad se describen en la sección “SEGURIDAD” de este manual, y en las secciones que contienen las instrucciones sobre operación y mantenimiento.

Los riesgos que habrá que eludir para evitar lesiones o el daño de la máquina se identifican mediante PELIGRO y ADVERTENCIA en el clavador y en este manual.

No utilice nunca este clavador para aplicaciones que no sean las especificadas en este manual.

---

## DEFINICIÓN DE LAS PALABRAS CLAVE

---

**PELIGRO** indica una situación inminentemente peligrosa que, si no se evita, puede resultar en lesiones serias o en la muerte.

**ADVERTENCIA** indica una situación potencialmente peligrosa que, si no se evita, puede resultar en lesiones serias o en la muerte.

**PRECAUCIÓN** indica una situación potencialmente peligrosa que, si no se evita, puede resultar en lesiones menores, o en el daño de la máquina.

**NOTA** enfatiza información esencial.

# SEGURIDAD

## INSTRUCCIONES IMPORTANTES DE SEGURIDAD PARA LA UTILIZACIÓN DEL CLAVADOR

### LEA TODAS LAS INSTRUCCIONES

#### PELIGRO

1. **LOS OPERADORES Y DEMÁS PERSONAS QUE SE ENCUENTREN EN EL ÁREA DE TRABAJO DEBEN USAR GAFAS PROTECTORAS CON BLINDAJES LATERALES.**



Antes de utilizar el clavador, utilice siempre gafas protectoras con blindajes laterales, y asegúrese de que también sea utilizada por todas las

personas que se encuentren en el área de trabajo.

Las gafas protectoras deberán estar de acuerdo con los requisitos del Instituto de Normas Nacionales Americanas, ANSI Z87.1 y proporcionar protección contra las partículas despedidas desde la parte frontal y posterior.

El empresario deberá hacer que el operador del clavador y demás personas que se encuentren en el área de trabajo utilicen en todo momento gafas protectoras.

2. **NO UTILICE NUNCA OXÍGENO NI OTROS GASES EMBOTELLADOS. PODRÍA PRODUCIR EXPLOSIÓN.**



No utilice nunca bombonas de oxígeno, gases combustibles, etc. como fuente de propulsión de este clavador.

La utilización de estos gases, o de otros gases embotellados, es peligrosa, ya que el clavador podría explotar.

Utilice solamente aire comprimido limpio, seco, y regulado.

#### ADVERTENCIA

3. **NO DIRIJA NUNCA LA HERRAMIENTA HACIA SÍ MISMO O HACIA OTRAS PERSONAS DEL ÁREA DE TRABAJO.**



Piense siempre que el clavador puede tener clavos cargados.

No dirija nunca el clavador hacia sí mismo o hacia otras personas,

independientemente de que contenga o no clavos.

Si utilizase los clavos incorrectamente, podrían producirse lesiones serias.

No juegue nunca con el clavador.

Trate el clavador como herramienta de trabajo.

4. **PARA EVITAR UN DISPARO ACCIDENTAL, MANTENGA LOS DEDOS ALEJADOS DEL GATILLO DOBLE (GATILLO Y PALANCA DE BLOQUEO) CUANDO NO SE ESTÉN CLAVANDO CLAVOS.**

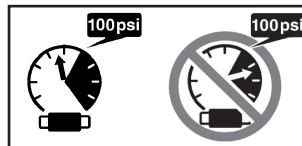
No transporte nunca el clavador con el dedo en el gatillo doble, porque podría lanzar un clavo y lesionarse usted mismo o a otra persona.

Transporte siempre el clavador por la empuñadura.

5. **ES IMPORTANTE LA ELECCIÓN DEL MÉTODO DE DISPARO.**

Lea y comprenda la sección titulada "Métodos de operación". (página 48)

6. **NO SOBREPASE 100 psi. (6.9 barías 7 kgf/cm<sup>2</sup>)**



No sobrepase nunca la presión de aire máxima recomendada de 100 psi (6.9 barías 7 kgf/cm<sup>2</sup>).

No conecte nunca el clavador a una presión que pueda sobrepasar potencialmente 200 psi (13.7 barías 14 kgf/cm<sup>2</sup>) ya que el clavador podría explotar.

## SEGURIDAD – Continuación

### 7. UTILICE SIEMPRE PROTECTORES PARA LOS OÍDOS Y LA CABEZA.

Utilice siempre protectores para los oídos contra el ruido fuerte.

Utilice siempre un protector para la cabeza contra los objetos que puedan salir disparados.

### 8. GUARDE ADECUADAMENTE EL CLAVADOR.

Cuando no vaya a utilizar el clavador, guárdelo en un lugar seco. Manténgalo alejado de los niños. Cierre con llave el lugar de almacenamiento.

### 9. MANTENGA EL ÁREA DE TRABAJO LIMPIA.

Las áreas desordenadas pueden provocar lesiones. Limpie bien el área de trabajo, apartando herramientas innecesarias, residuos, muebles, etc.

### 10. NO UTILICE EL CLAVADOR CERCA DE LÍQUIDOS INFLAMABLES NI DE GASES.

El clavador produce chispas durante la operación.

No utilice nunca el clavador en lugares en los que haya laca, pintura, bencina, diluidor de pintura, gasolina, gases, productos adhesivos, ni demás materiales combustibles o explosivos.

### 11. MANTENGA A LOS VISITANTES ALEJADOS.

No permita que los visitantes toquen el clavador.

Todos los visitantes deberán permanecer alejados del área de trabajo.

### 12. VÍSTASE ADECUADAMENTE.

No utilice ropa floja ni joyas, ya que podrían pillarse en las partes móviles.

Para trabajar en exteriores se recomienda utilizar guantes de goma y calzado no deslizante. Si tiene el pelo largo, utilice un protector para recogerlo.

### 13. NO UTILICE NUNCA UN ACOPLADOR SIN DESCARGA CON EL CLAVADOR.

Si utilizase un acoplador sin descarga con el clavador, éste podría permanecer cargado con aire después de haberlo desconectado y, por lo tanto, disparar clavador incluso después de haberlo desconectado.

El clavador y la manguera de aire deben tener un acoplamiento de manguera que permita descargar toda la presión de aire del clavador cuando se desconecta la junta de acoplamiento.

### 14. COMPRUEBE EL GATILLO DOBLE ANTES DE LA UTILIZACIÓN.

El clavador no funcionará si no tira de la palanca de bloqueo antes de accionar el gatillo.

Cerciórese de que la palanca de bloqueo funcione adecuadamente. (La palanca de bloqueo puede denominarse “Seguridad”.) No utilice nunca el clavador a menos que la palanca de bloqueo funcione adecuadamente, ya que de lo contrario el clavador podría disparar inesperadamente un clavo. No cambie ni quite la palanca de bloqueo, ya que de lo contrario la palanca de bloqueo dejará de funcionar.

Con el clavador vacío, conecte la manguera de aire y compruebe lo siguiente:

- Que no se oiga ningún ruido procedente del pistón que hay dentro del clavador al accionar el gatillo sin tirar primero de la palanca de bloqueo.

Si se usa el clavador cuando no funcione normalmente, se pueden producir lesiones. Si se produce cualquier problema, póngase en contacto con la tienda donde adquirió el clavador o con el centro de asistencia autorizado más cercano de Hitachi y solicite su reparación.

### 15. MANTENGA TODOS LOS TORNILLOS Y CUBIERTAS BIEN APRETADAS EN SU LUGAR.

Mantenga todos los tornillos y cubiertas firmemente apretados. Compruebe periódicamente su condición.

No utilice nunca el clavador si hay piezas perdidas o dañadas.

### 16. NO CARGUE CLAVOS CON EL GATILLO O LA PALANCA DE BLOQUEO ACCIONADOS.

Cuando cargue clavos en el clavador, o cuando conecte la manguera de aire:

- 1) no accione el gatillo;
- 2) no tire de la palanca de bloqueo; ni
- 3) mantenga el clavador apuntando hacia abajo.

**SEGURIDAD** - Continuación**17. MANTENGA LA CARA, LAS MANOS Y LOS PIES ALEJADOS DE LA CABEZA DE SALIDA DE LOS CLAVOS EN TODO MOMENTO.**

No coloque la cara, las manos o los pies cerca de la cabeza de salida de los clavos.

**18. COLOQUE EL CLAVADOR ADECUADAMENTE SOBRE LA PIEZA DE TRABAJO.**

No clave un clavo sobre otro, ni con el clavador con un ángulo demasiado agudo, ya que los clavos podrían rebotar y herir a alguien.

**19. CUIDADO CON EL CULATEO.**

Cuando clave un clavo en una pieza de trabajo dura, el clavador puede rebotar. Asegúrese de mantener la cara alejada del clavador.

**20. NO CLAVE EN PANELES FINOS, NI CERCA DE LAS ESQUINAS NI LOS BORDES DE LA PIEZA DE TRABAJO.**

Los clavos podrían atravesar la pieza de trabajo y herir a alguien.

**21. NO CLAVE NUNCA CLAVOS DESDE AMBOS LADOS DE UNA PARED AL MISMO TIEMPO.**

Los clavos podrían traspasar el panel y lesionar a la persona que se encuentra en el lado opuesto.

**22. COMPRUEBE SI HAY CABLES ACTIVOS.**

Evite el riesgo de descargas eléctricas comprobando si hay cables activos escondidos en paredes, suelos, o techos. Abra el disyuntor para asegurarse de que no queden cables activos.

**23. NO TRANSPORTE NUNCA EL CLAVADOR POR EL MORRO.****24. NO SE EXTRALIMITE.**

Mantenga en todo momento un buen equilibrio.

**25. NO UTILICE NUNCA UN CLAVADOR DEFECTUOSO O QUE FUNCIONE INCORRECTAMENTE.**

Si el clavador parece funcionar anormalmente, si produce ruidos extraños, etc., deje de utilizarlo inmediatamente y solicite su reparación a un centro de servicio autorizado por Hitachi.

**26. NO DESCONECTE LA MANGUERA DE AIRE DEL CLAVADOR CON UN DEDO PUESTO EN EL GATILLO.**

El clavador podría disparar un clavo cuando reconectase el suministro de aire.

**27. DESCONECTE LA MANGUERA DE AIRE DEL CLAVADOR CUANDO:**

- 1) realice trabajos de mantenimiento e inspección;
- 2) cargar clavos;
- 3) fijar o quitar la tapa del morro;
- 4) utilizar el gancho;
- 5) tenga que desatascarlo;
- 6) no vaya a utilizarlo;
- 7) abandone el área de trabajo;
- 8) lo traslade a otro lugar; y
- 9) vaya a entregárselo a otra persona.

No intente nunca desatascar ni reparar el clavador sin haber desconectado primero la manguera de aire del mismo, y sin haberle quitado todos los clavos.

No deje nunca el clavador desatendido, porque personas no familiarizadas con él podrían utilizarlo y sufrir lesiones.

**28. PERMANEZCA ALERTA.**

Tenga en cuenta lo que esté haciendo. Utilice el sentido común. No utilice el clavador cuando esté cansado. No utilice nunca el clavador si se encuentra bajo la influencia del alcohol, drogas, o medicinas que le produzcan somnolencia.

**29. MANEJE CORRECTAMENTE EL CLAVADOR.**

Maneje el clavador de acuerdo con las instrucciones de este manual.

No permita nunca que los niños, personas no familiarizadas o no autorizadas, toquen el clavador.

**30. NO UTILICE NUNCA EL CLAVADOR PARA APLICACIONES QUE NO SEAN LAS ESPECIFICADAS EN ESTE MANUAL.****31. MANEJE EL CLAVADOR CON CUIDADO.**

Debido a la alta presión de aire del clavador, las rajás en su superficie pueden resultar peligrosas.

Para evitar esto, no deje caer el clavador ni lo golpee contra superficies duras,



## SEGURIDAD - Continuación

y no grabe nada en el mismo. Maneje cuidadosamente el clavador.

### 32. MANTENGA EL CLAVADOR CON CUIDADO.

Mantenga el clavador limpio y lubricado para que rinda al máximo y con la mayor seguridad.

### 33. UTILICE SOLAMENTE LAS PIEZAS, ACCESORIOS, Y CLAVOS QUE SUMINISTRE O RECOMIENDE HITACHI.

Las piezas, accesorios, o clavos no autorizados pueden anular la garantía y provocar el mal funcionamiento, lo que podría resultar en lesiones.

El clavador solamente deberá ser reparado por Hitachi, un distribuidor, o el empresario.

### 34. NO MODIFIQUE NI ALTERE NUNCA EL CLAVADOR.

Si lo hiciera podría funcionar mal y provocar lesiones.

### RESPONSABILIDADES DEL EMPRESARIO

1. Asegúrese de que este manual esté al alcance de los operadores y del personal de mantenimiento.
2. Asegúrese de que el clavador se utilice solamente cuando el operador y demás personas que se encuentren en el área de trabajo estén utilizando gafas protectoras para los ojos.
3. Recalque que el operador y las demás personas que se encuentren en el área de trabajo necesitan utilizar gafas protectoras para los ojos.
4. Mantenga el clavador en un orden de funcionamiento seguro.
5. Mantenga adecuadamente el clavador.
6. Si un clavador necesita reparación, no lo utilice.

**¡GUARDE ESTE MANUAL  
AL ALCANCE DE TODOS LOS USUARIOS!**

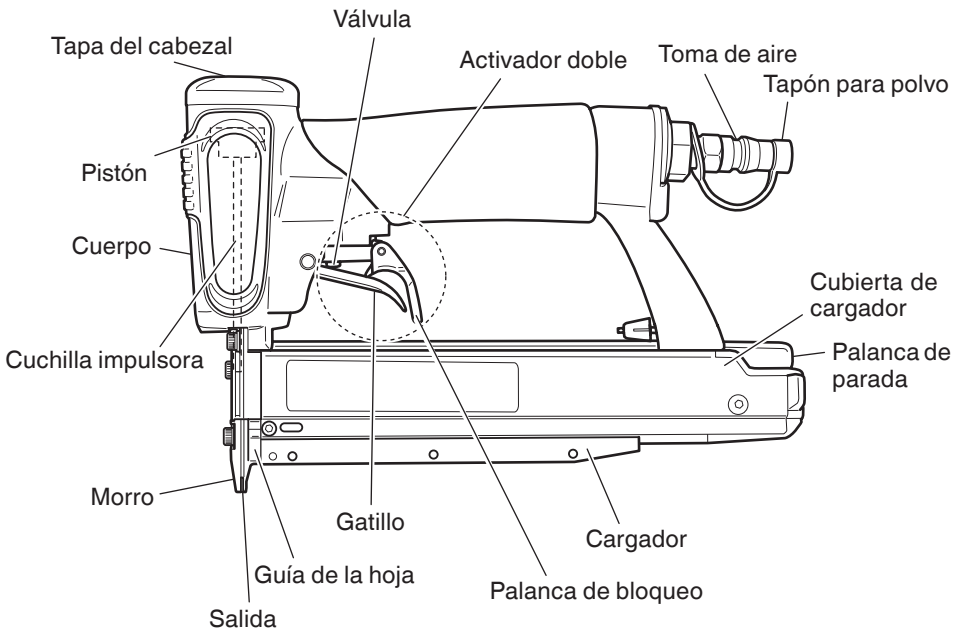
## OPERACIÓN

### NOTA

La información contenida en este manual ha sido diseñada para ayudarle a utilizar con seguridad este clavador.

Algunas de las ilustraciones de este manual pueden mostrar detalles o accesorios diferentes a los de su propio clavador.

### NOMENCLATURA



## ESPECIFICACIONES

Presión de operación	64 – 100 psi (4.4 – 6.9 barías 4.5 – 7 kgf/cm <sup>2</sup> )
Dimensiones Longitud × Altura × Anchura	9-3/8" × 6-3/8" × 1-27/32" (238 mm × 162 mm × 47 mm)
Peso	2.0 libras (0.9 kg)
Capacidad de clavos	100 clavos
Consumo de aire	.018 ft <sup>3</sup> /ciclo a 100 psi (.5 ltr/ciclo a 6.9 barías) (.5 ltr/ciclo a 7 kgf/cm <sup>2</sup> )
Entrada de aire	Rosca 3/8 NPT

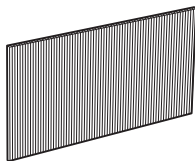
## SELECCIÓN DE CLAVOS

### ⚠ ADVERTENCIA

- Asegúrese de usar únicamente clavos legítimos Hitachi para el NP35A. El uso de otros clavos puede producir un fallo de funcionamiento de la herramienta y/o la rotura del clavo, lo que provocaría a su vez lesiones de gravedad.

Con este clavador solamente podrán utilizarse los clavos indicados en la tabla siguiente.

### Clavos pequeños de calibre 23



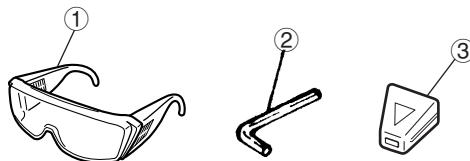
Mín.	Máx.

## ACCESORIOS

### ⚠ ADVERTENCIA

- Los accesorios que no sean los mostrados a continuación pueden provocar el mal funcionamiento del clavador y resultar en lesiones.

### ACCESORIOS ESTÁNDAR



① Gafas protectoras para los ojos	1
② Llave Allen para tornillos M4	1
③ Tapa para el morro (A)	2

### ACCESORIOS OPCIONALES

- ... vendido a parte
- Lubricante para herramientas neumáticas
- Aceitador de 1 onzas (30 cc) (Núm. de código 877153)
- Aceitador de 4 onzas (120 cc) (Núm. de código 874042)
- Lata de 1 cuarto de galón (1 litro) (Núm. de código 876212)

### NOTA

Los accesorios están sujetos a cambios sin ninguna obligación por parte de Hitachi.

## APLICACIONES

- Instalación de madera contrachapada decorada, como rodapiés y ribetes en interiores de edificios.

## ANTES DE LA OPERACIÓN

Lea la sección titulada “SEGURIDAD” (páginas 38 – 41).

Antes de la utilización, cerciőrese de lo siguiente.

## ENTORNO DE TRABAJO

### ⚠ ADVERTENCIA

- En el lugar de trabajo no deberá haber gases, líquidos, ni demás objetos inflamables.
- No permita que en el área de trabajo haya niños ni demás personas no autorizadas.

## SUMINISTRO DE AIRE

### ⚠ PELIGRO



- No utilice nunca oxígeno ni otros gases embotellados. Podría producirse una explosión.

### ⚠ ADVERTENCIA

- No conecte nunca el clavador a una presión que pueda sobrepasar potencialmente 200 psi (13.7 barías 14 kgf/cm<sup>2</sup>).
- No utilice nunca un acoplador sin descarga con el clavador.

## 1. Fuente de propulsión

- Utilice solamente aire comprimido limpio, seco, y regulado como fuente de propulsión para este clavador.
- Los compresores de aire para suministrar aire comprimido a este clavador deberán cumplir los requisitos de la última versión de la norma B 19.3 ANSI “Normas de Seguridad para Compresores para Industrias de Procesos”.

- La humedad o el aceite en el compresor de aire puede acelerar el desgaste y la corrosión del clavador. Drénelo diariamente.

## 2. Filtro-Regulador-Lubricador

- Utilice un regulador con una presión de 0 – 100 psi (0 – 6.9 barías 0 – 7 kgf/cm<sup>2</sup>).
- Las unidades de filtro-regulador-lubricador ofrecen la condición óptima para el clavador y prolongan su duración útil. Estas unidades deberán utilizarse siempre.

## Filtro

El filtro elimina la humedad y la suciedad del aire comprimido.

Drene diariamente el clavador a menos que tenga instalado un dispositivo de drenado automático.

Mantenga limpio el filtro realizando regularmente su mantenimiento.

## Regulador

El regulador controla la presión de operación para poder utilizar con seguridad el clavador.

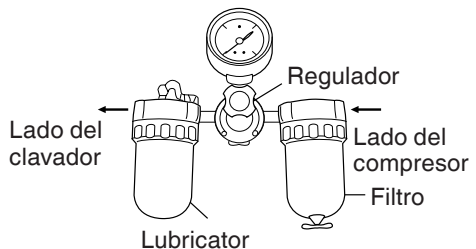
Inspeccione el regulador antes de la operación a fin de asegurarse de que funcione adecuadamente.

## Lubricador

El lubricador rocía aceite al clavador.

Inspeccione el lubricador antes de utilizarlo para comprobar si el suministro de lubricante es adecuado.

Utilice lubricante para herramientas neumáticas Hitachi.



## 3. Manguera de aire

La manguera de aire deberá poder resistir una presión mínima de 150 psi (10.4 barías 10.6 kgf/cm<sup>2</sup>) o el 150% de la presión máxima producida en el sistema, el valor que más alto sea.

## 4. Consumo de aire

Utilizando la tabla de consumo de aire y la fórmula de tamaño del compresor de aire, busque el tamaño de compresor correcto.

Tabla de consumo de aire

Presión de operación	psi	80	90	100
	(barias)	(5.5)	(6.2)	(6.9)
	(kgf/cm <sup>2</sup> )	(5.6)	(6.3)	(7)
Consumo de aire	pies <sup>3</sup> /ciclo	.011	.015	.018
	(litros/ciclo)	(.3)	(.4)	(.5)

### Fórmula de tamaño del compresor

Cantidad de aire requerida  
 = número de clavadores  
 × promedio de clavos clavados cada minuto por clavador  
 × consumo de aire a la presión dada  
 × factor de seguridad (siempre 1.2)

Ejemplo: 3 clavadores funcionando a 100 psi para clavar 30 clavos por minuto

Cantidad de aire requerida  
 =  $3 \times 30 \times .018 \times 1.2$   
 = 1.9 CFM (pies<sup>3</sup>/min) (94 litros/min)

Después de haber realizado los cálculos indicados arriba, tendrá que buscar un compresor que proporcione 1.9 CFM de aire, que es el valor requerido.

### LUBRICACIÓN

Es muy importante que el clavador esté adecuadamente lubricado. Sin la lubricación apropiada, el clavador no trabajará correctamente y las piezas se desgastarán prematuramente.

- Utilice lubricante para herramientas neumáticas Hitachi. No utilice aceite detergente ni aditivos. Estos lubricantes dañarían las juntas tóricas y demás piezas de caucho. Esto haría que el clavador funcionase mal.
- Habrá que utilizar siempre unidades de filtro-regulador-lubricador. Mantenga el lubricador lleno con lubricante para herramientas neumáticas Hitachi.
- Si no dispone de lubricador, aplique 5 – 10 gotas de lubricante para herramientas neumáticas Hitachi a la entrada de aire del clavador dos veces al día.

### CUIDADOS PARA CLIMAS FRÍOS

- No guarde el clavador en un lugar frío. Déjelo en un lugar cálido antes de comenzar a trabajar.
- Si el clavador está frío, póngalo en un lugar cálido y deje que se caliente antes de utilizarlo.

- ① Reduzca la presión de aire a 64 psi (4.4 barias 4.5 kgf/cm<sup>2</sup>).
- ② Quite todas los clavos del clavador.
- ③ Conecte la manguera de aire y dispare (disparo en vacío) el clavador. La reducción de la presión de aire será suficiente para disparar en vacío el clavador. La operación a baja velocidad tiende a calentar las partes móviles.

### ⚠ PRECAUCIÓN

- **No dispare en vacío el clavador a alta presión.**

### PRUEBA DEL CLAVADOR

#### ⚠ PELIGRO



- **Los operadores y demás personas que se encuentren en el área de trabajo deben usar gafas protectoras con blindajes laterales que cumplan con las especificaciones ANSI Z87.1.**

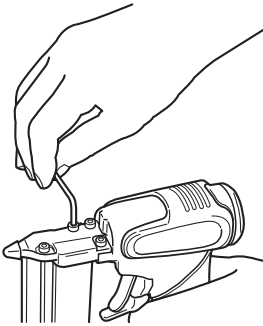
#### ⚠ ADVERTENCIA

- **No utilice nunca el clavador a menos que la palanca de bloqueo funcione adecuadamente.**

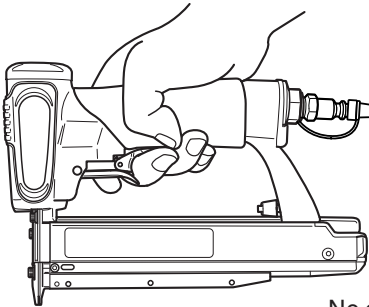
Antes de comenzar el trabajo, pruebe el clavador utilizando la lista de comprobaciones siguiente. Realice las comprobaciones en el orden indicado.

Si se produce alguna operación anormal, deje de utilizar el clavador y póngase inmediatamente en contacto con un centro de reparaciones autorizado por Hitachi.

- (1) Desconecte la manguera de aire del clavador. Quite todas las puntas del clavador.
  - Todos los tornillos deberán estar apretados. Si hay algún tornillo flojo, apriételo.



- La palanca de bloqueo y el gatillo deben poder accionarse sin dificultad.]



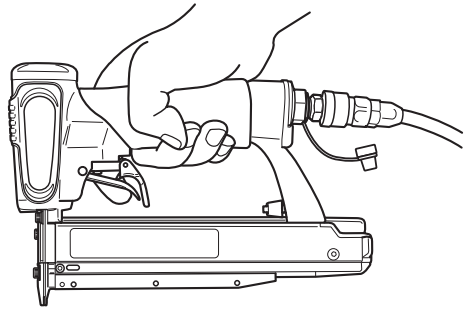
No conecte la manguera de aire

- (2) Ajuste la presión del aire a 64 psi (4.4 barías 4.5 kgf/cm<sup>2</sup>). Conecte la manguera de aire. No cargue clavos en el clavador.

- El clavador no deberá tener fugas de aire.

Sujete el clavador hacia abajo, sin tocar la palanca de bloqueo y accione el gatillo.

- El clavador no deberá funcionar.

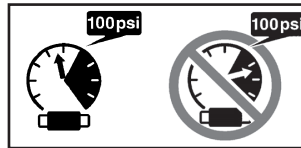


- (3) Si no observa nada anormal, cargue clavos en el clavador. Clave en la pieza de trabajo los mismos clavos que vaya a utilizar en la aplicación real.

- El clavador deberá funcionar adecuadamente.

### AJUSTE DE LA PRESIÓN DE AIRE

**⚠ ADVERTENCIA**



- No sobrepase 100 psi (6.9 barías 7 kgf/cm<sup>2</sup>).

Ajuste la presión del aire al valor recomendado, 64 – 100 psi (4.4 – 6.9 barías 4.5 – 7 kgf/cm<sup>2</sup>) de acuerdo con la longitud de las puntas y la dureza de la pieza de trabajo.

La presión de aire correcta es la más baja con la que pueda realizarse el trabajo. La utilización del clavador con una presión de aire más alta de la requerida lo forzará innecesariamente.

### CARGA DE CLAVOS

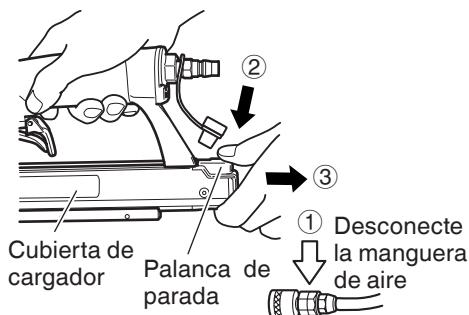
**⚠ ADVERTENCIA**

- Cuando cargue los clavos en el clavador:
  - 1) desconecte la manguera de aire
  - 2) no accione el gatillo ni la palanca de bloqueo; y
  - 3) mantenga el clavador apuntando hacia abajo.

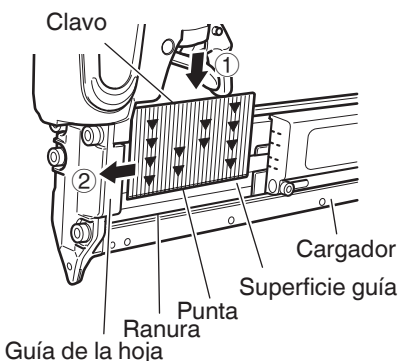
**NOTA**

Utilice 5 o más clavos conectados.

- (1) ① Desconecte la manguera de aire del clavador.
- ② Presione ligeramente la palanca de parada.
- ③ Retire lentamente la tapa del cargador.



- (2) ① Coloque los clavos contra la superficie guía del cargador e inserte las puntas de los clavos todo lo posible en la ranura del cargador.
- ② Inserte los clavos en el cargador a través de la guía de la hoja con los dedos.

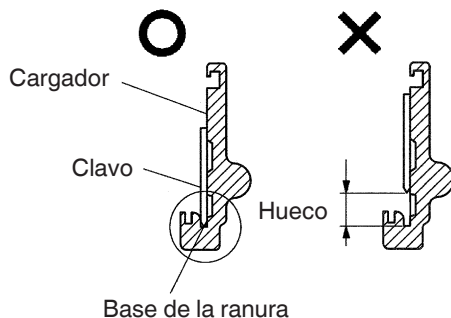


- (3) Empuje la extremo posterior de la tapa del cargador hacia delante y compruebe que los clavos no sobresalen de la superficie guía del cargador antes de cerrar el cargador.

**NOTA**

- Cargue los clavos con las puntas mirando hacia la ranura del cargador.
- No cargue clavos de distintas longitudes.

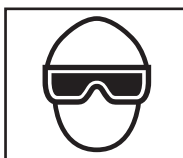
- Los clavos que midan entre 15 mm y 35 mm de largo se pueden usar en este clavador sin realizar ningún ajuste, pero, sea cual sea su longitud, debe asegurarse de que las puntas de los clavos se inserten lo más posible en la ranura del cargador.



El clavador habrá quedado listo para funcionar.

**OPERACIÓN DEL CLAVADOR**

Lea la sección titulada “SEGURIDAD” (páginas 38 – 41).

**⚠ PELIGRO**

- Los operadores y demás personas que se encuentren en el área de trabajo deben usar gafas protectoras con blindajes laterales que cumplan con las especificaciones ANSI Z87.1.

**⚠ ADVERTENCIA**

- No dirija nunca la herramienta hacia sí mismo o hacia otras personas del área de trabajo.
- Para evitar un disparo accidental, mantenga los dedos alejados del

gatillo disparador cuando no se esté usando la herramienta.

- Es importante la elección de método de activación.

Por favor, lea y comprenda la sección “Métodos de operación” incluida más abajo.

- No coloque la cara, las manos ni los pies cerca de la cabeza de salida de los clavos.
- No introduzca los clavos sobre la cabeza de otros clavos, ni con el clavador a un ángulo demasiado agudo, ya que los clavos podrían rebotar y herir a alguien.
- Para evitar el doble disparo o la expulsión inesperado de un clavo debido al rebote del clavador.

1) suelte el gatillo rápidamente después del disparo.

- No clave clavos en paneles finos ni cerca de esquinas ni bordes de la pieza de trabajo.

Los clavos podrían traspasar la pieza de trabajo y lesionar a alguien.

- No clave nunca clavos desde ambos lados de una pared al mismo tiempo. Los clavos podrían traspasar la pared y lesionar a la persona de la otra parte.

- No utilice nunca un clavador defectuoso o que funcione anormalmente.

- No utilice el clavador a modo de martillo normal.

- Desconecte la manguera de aire del clavador cuando:

- 1) ajuste el morro;
- 2) no vaya a utilizarlo;
- 3) vaya a abandonar el área de trabajo;
- 4) vaya a trasladarse a otro lugar, y
- 5) vaya a entregárselo a otra persona.

## MÉTODOS DE OPERACIÓN

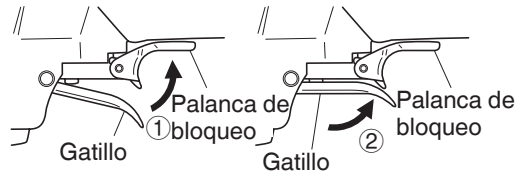
### ⚠ ADVERTENCIA

- Una vez que se ha tirado de la palanca de bloqueo, los clavos se pueden clavar accionando el gatillo. No toque el gatillo ni la palanca de bloqueo si no va a clavar clavos.
- No clave un clavo encima de otro.

### NOTA

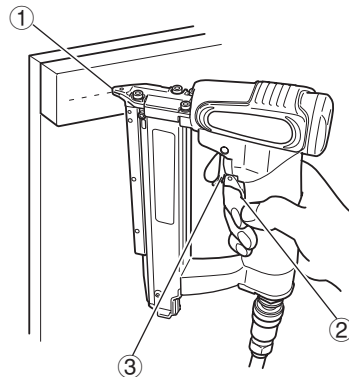
Cuando utilice el clavador a bajas temperaturas, el funcionamiento puede verse afectado.

1. Uso del gatillo y la palanca de bloqueo  
Además de usar el gatillo habitual, el clavador está equipado con una palanca de bloqueo que actúa como un dispositivo de seguridad. Los clavos se clavan tirando de la palanca de bloqueo y accionando el gatillo.



2. Cómo clavar clavos

- ① Coloque la salida del clavo sobre el lugar donde desee clavar el clavo y presione ligeramente.
- ② Tire de la palanca de bloqueo.
- ③ Accione el gatillo.





## AJUSTE DE LA PROFUNDIDAD DE CLAVADO

### ⚠ ADVERTENCIA

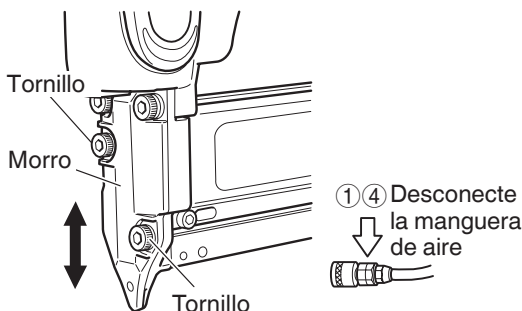
- Al efectuar el ajuste del morro, asegúrese de retirar su dedo del disparador y de desconectar la manguera de aire del clavador.

Para asegurar que cada clavo penetre con la misma profundidad, cerciórese de que:

- 1) la presión de aire suministrada al clavador permanezca constante (regulador instalado y trabajando adecuadamente), y
- 2) esté sujetando firmemente el clavador contra la pieza de trabajo.

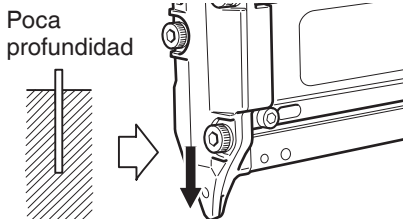
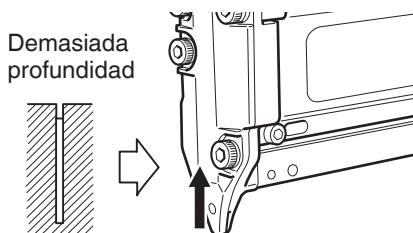
Si los clavos penetran demasiado o demasiado poco en la pieza de trabajo, realice el ajuste del clavador en el orden siguiente.

- ① Desconecte la manguera de aire del clavador.



- ② Para ajustar la profundidad de penetración del clavador, afloje el tornillo que asegura el morro.

Para introducir el clavo profundamente, ajuste el morro a "up" (arriba), y para introducirla superficialmente, ajuste a "down" (abajo).



- ③ Apriete el tornillo que sujeta el morro cuando se alcance la posición adecuada para una prueba de clavado.
- ④ Conecte la manguera de aire. Utilice siempre gafas protectoras para los ojos. Realice una prueba de clavado.
- ⑤ Desconecte la manguera de aire del clavador.
- ⑥ Elija la posición adecuada para ajustar el morro.

## UTILIZACIÓN DE LA TAPA PARA EL MORRO

### ⚠ ADVERTENCIA

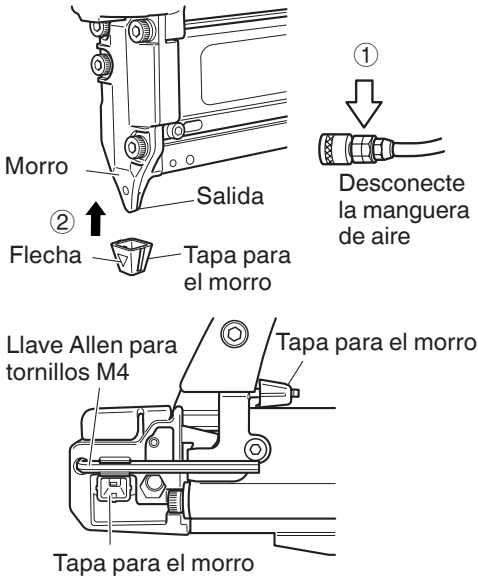
- Al fijar o remover la tapa del morro, asegúrese de retirar su dedo del disparador y de desconectar la manguera de aire del clavador.

Si desea proteger la superficie de la pieza de trabajo contra rascaduras o marcas del morro, instale la tapa para el morro accesoria en el morro.

- ① Desconecte la manguera de aire del clavador.
- ② Coloque la tapa para el morro en el talón de la palanca de empuje.
- ③ Fije la tapa del morro al morro con la marca de flecha de la tapa mirando hacia delante.
- ④ Si no se utiliza la tapa de la nariz, asegúrela en el compartimento provisto en el lado trasero del cargador.

### NOTA

La tapa para el morro puede reducir la profundidad de penetración de los clavos debido a su grosor. Cuando haya instalado la tapa, reajuste la profundidad de penetración de los clavos.



## MANEJO DE LOS CLAVOS

### NOTA

- Maneje los clavos con cuidado. Si se caen los clavos, la conexión puede romperse. El uso de clavos en este estado puede causar problemas y atascos.
- No deje los clavos a la intemperie ni expuestos a la luz solar directa durante largos periodos de tiempo, ya que pueden oxidarse o perder la conexión. Cuando no los utilice, mantenga los clavos en la caja.

## EXTRAIGA LOS CLAVOS

### ⚠ ADVERTENCIA

- **Antes de quitar los clavos, asegúrese de retirar el dedo del gatillo y desconectar la manguera de aire.**

- (1) Cuando queden 15 clavos o más
  - Presione la palanca de parada y quite la tapa del cargador.
  - Saque los clavos del cargador.
- (2) Cuando queden menos de 15 clavos
  - Retire el morro con la llave Allen de 3 mm que se encuentra en el extremo posterior del cargador.
  - Extraiga los clavos de la superficie guía de la guía de la hoja.  
(Consulte la sección 1 de "Mantenimiento e inspección" en la página 51)

### NOTA

Cuando queden menos de 15 clavos, tenga cuidado, porque es difícil ver los clavos que quedan en la guía de la hoja.

# MANTENIMIENTO

## NOTA

La información contenida en este manual ha sido diseñada para ayudarle a mantener con seguridad este clavador.

Algunas ilustraciones de este manual pueden mostrar detalles o dispositivos diferentes a los de su propio clavador.

## MANTENIMIENTO E INSPECCIÓN

Lea la sección titulada “SEGURIDAD” (páginas 38 – 41).

### ⚠ ADVERTENCIA

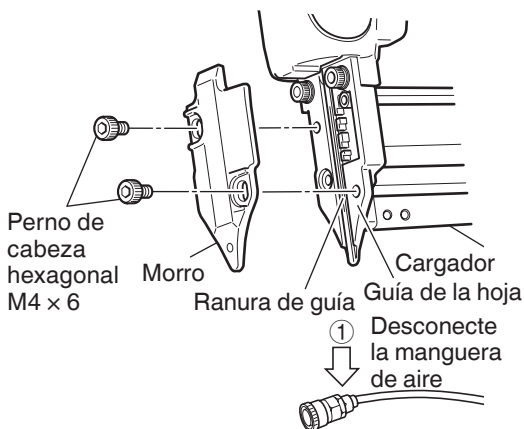
- **Desconecte la manguera de aire, quite el dedo del gatillo y extraiga todos los calvos del clavador antes de:**

- 1) realizar trabajos de mantenimiento e inspección, y
- 2) desatascar el clavador.

### 1. Desatascado

Desatasque los clavos en el orden siguiente:

- ① Desconecte la manguera de aire.
- ② Extraiga todos los clavos.
- ③ Quite el morro con la llave Allen que se encuentra en la parte posterior del clavador.



- ④ Extraiga el clavo atascado con un destornillador de clavo plana.
- ⑤ Instale el morro.
- ⑥ En caso de atasco frecuente, póngase en contacto con un centro de servicio autorizado por Hitachi.

### 2. Almacenamiento

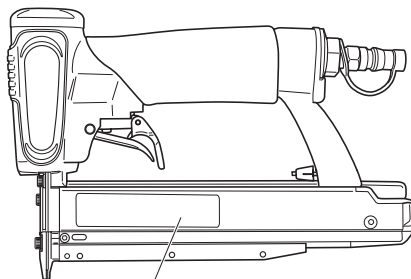
- Cuando no vaya a utilizar el clavador durante mucho tiempo, aplique una capa fina de lubricante a las piezas de acero para evitar que se oxiden.
- No guarde el clavador en un lugar frío. Guarde el clavador en un lugar cálido.
- Cuando no vaya a utilizar el clavador, deberá guardarlo en un lugar cálido y fresco.

Mantenga el clavador fuera del alcance de los niños.

### 3. Etiqueta de precaución

Si la etiqueta de precaución se pierde o daña, cámbiela por otra.

Solicite la nueva etiqueta de precaución a un centro de reparaciones autorizado por Hitachi.



Etiqueta de precaución

4. Tabla de mantenimiento (página 53)
5. Solución de problemas por parte del operador (página 54)

6. Lista de repuestos

 **PRECAUCIÓN**

La reparación, modificación e inspección de las herramientas eléctricas Hitachi deben ser realizadas por un Centro de Servicio Autorizado de Hitachi.

Esta lista de repuestos será de utilidad si es presentada junto con la herramienta al Centro de Servicio Autorizado de Hitachi para solicitar la reparación o cualquier otro tipo de mantenimiento.

En el manejo y el mantenimiento de las herramientas eléctricas, se deberán observar las normas y reglamentos vigentes en cada país.

**MODIFICACIONES**

Hitachi Power Tools introduce constantemente mejoras y modificaciones para incorporar los últimos avances tecnológicos.

Por consiguiente, algunas partes pueden ser modificadas sin previo aviso.

---

**SERVICIO Y REPARACIONES**

---

 **ADVERTENCIA**

- Este clavador solamente deberá repararlo personal entrenado por Hitachi, un distribuidor, o el empresario.
- Para la reparación, utilice solamente las piezas suministradas o recomendadas por Hitachi.

Todos los clavadores de calidad requerirán el servicio de mantenimiento o de reemplazo de piezas debido al desgaste con la utilización normal.

**NOTA**

Las especificaciones están sujetas a cambio sin previo aviso sin ninguna obligación por parte de Hitachi.

Tabla de mantenimiento

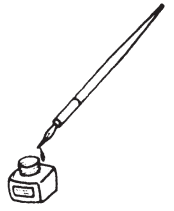
ACCIÓN	PARA	CÓMO
Drenaje diario del filtro de la línea de aire.	Evitar la acumulación de humedad y suciedad.	Abra la llave de escape manual.
Mantenimiento del lubricador lleno.	Mantener el clavador lubricado.	Rellene con lubricante para herramientas neumáticas Hitachi.
Limpieza del elemento del filtro y soplado de aire a través del mismo en sentido opuesto al normal de flujo del aire.	Evitar que el filtro se atasque con suciedad.	Siga las instrucciones del fabricante.
Limpieza del cargador y del mecanismo del alimentador.	Evitar atascos.	Sople diariamente.
Mantenimiento de la palanca de empuje en perfectas condiciones.	Garantizar la seguridad del operador y la operación eficaz del clavador.	Sople diariamente.
Lubricación del clavador después de haberlo utilizado.	Prolongar la duración del clavador.	Aplique 5 – 10 gotas de lubricante al clavador.
Drenaje del compresor de aire.	Mantener el clavador en buenas condiciones de operación.	Abra la llave de llave de escape.

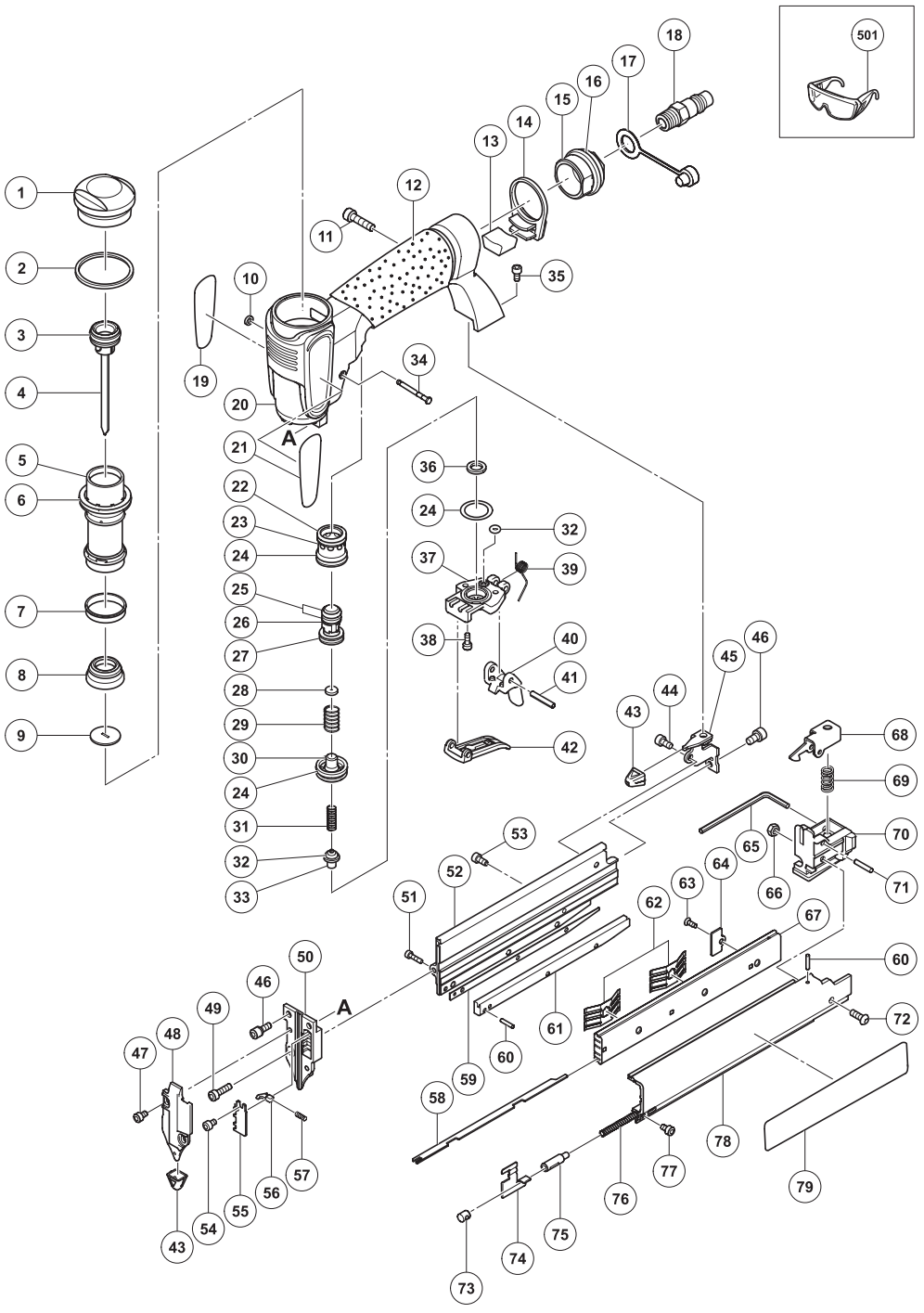
**Solución de problemas por parte del operador**

La mayoría de los problemas sin importancia podrán resolverse fácilmente utilizando la tabla siguiente.

Si el problema persiste, póngase en contacto con un centro de reparaciones autorizado por Hitachi.

PROBLEMA	MÉTHODO DE COMPROBACIÓN	SOLUCIÓN
El clavador funciona pero los clavos no se introducen.	Compruebe si está atascado.	Desatasque como se indica en la página 51.
	¿Está dañado el alimentador de clavos?	Reemplace el alimentador de clavos.
	¿Está flojo o dañado el resorte de cinta?	Reemplácelo.
	Compruebe si los clavos son los apropiados.	Utilice solamente los clavos recomendados.
Poca fuerza. Reciclado lento.	Compruebe la presión de aire.	Aumente la presión de aire. (No sobrepase 100 psi (6.9 barías, 7 kgf/cm <sup>2</sup> ))
	Controle la posición del ajustador de profundidad de clavado.	Reajuste de acuerdo a la página 49.
	-----	Utilice lubricante para neumáticos Hitachi.
	¿Está gastada la cuchilla impulsora?	Solicite otra de reemplazo a Hitachi.
	¿Está desgastada o dañada la junta tórica del pusón?	
Los clavos penetran demasiado.	Compruebe la presión de aire.	Reduzca la presión de aire. (Adjústela a 64 – 100 psi (4.4 – 6.9 barías, 4.5 – 7 kgf/cm <sup>2</sup> ))
	Controle la posición del ajustador de profundidad de clavado.	Reajuste de acuerdo a la página 49.
Salto de clavos. Alimentación intermitente.	Compruebe si los clavos son los apropiados.	Utilice solamente los clavos recomendados.
	¿Está dañado el alimentador de clavos?	Reemplace el alimentador de clavos.
	¿Está flojo o dañado el resorte de cinta?	Reemplácelo.
	¿Está desgastada o dañada la junta tórica del pistón?	Póngase en contacto con Hitachi para reemplazarlo.
Clavos atascadas. Los clavos se clavan doblados.	Compruebe si los clavos son apropiados.	Utilice solamente los clavos recomendados.
	¿Está gastada la cuchilla impulsora?	Póngase en contacto con Hitachi para reemplazarlo.
El funcionamiento es normal, pero no es posible clavar a gran velocidad.	Compruebe el diámetro interior de la manguera de aire.	Utilice otra manguera de aire de mayor diámetro.

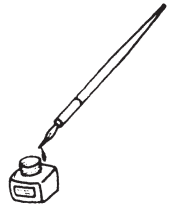


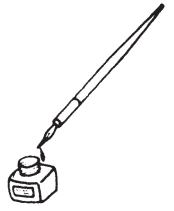




Item No.	Part Name	Q'TY
1	HEAD COVER	1
2	PACKING	1
3	O-RING (I.D 16)	1
4	DRIVER UNIT	1
5	CYLINDER	1
6	O-RING (I.D 31.2)	1
7	CYLINDER RING	1
8	BUMPER	1
9	DRIVER GUIDE	1
10	RETAINING RING	1
11	HEX. SOCKET HD. BOLT M5x20	1
12	GRIP RUBBER	1
13	MUFFLER	1
14	GUIDE PLATE	1
15	END CAP	1
16	O-RING (I.D 27)	1
17	DUST CAP	1
18	AIR PLUG PT 1/4	1
19	HITACHI LABEL (B)	1
20	BODY ASS'Y	1
21	HITACHI LABEL (A)	1
22	O-RING (S-14)	1
23	TRIGGER VALVE HEAD	1
24	O-RING (I.D 15)	3
25	O-RING (I.D 6.02)	2
26	VALVE PLUNGER	1
27	O-RING (I.D 12)	1
28	CUSHION	1
29	SPRING (D0.6xL16.8)	1
30	PLUNGER CAP	1
31	SPRING (D0.4xL13.3)	1
32	O-RING (I.D 2.57)	2
33	PLUNGER	1
34	TRIGGER PIVOT PIN	1
35	SEAL LOCK HEX. SOCKET HD. BOLT M4x8	1
36	COLLAR	1
37	VALVE COVER	1
38	HEX. SOCKET HD. BOLT M3x8	2
39	LOCK SPRING	1
40	LOCK LEVER	1
41	ROLL PIN D3x18	1
42	TRIGGER	1
43	NOSE CAP (A)	2
44	HEX. SOCKET HD. BOLT (W/SP. WASHER) M4x8	1
45	BRACKET UNIT	1
46	BOLT (W/WASHER) M4x12	3
47	HEX. SOCKET HD. BOLT M4x6	2
48	NOSE	1
49	SEAL LOCK HEX. SOCKET HD. BOLT M4x14	1
50	BLADE GUIDE	1
51	SEAL LOCK HEX. SOCKET HD. BOLT M3x10	3
52	MAGAZINE (A)	1
53	SCREW M4	1
54	HEX. SOCKET HD. BOLT M3x4	1
55	STOPPER	1
56	GUIDE LOCATING	4
57	GUIDE LOCATING SPRING	4

Item No.	Part Name	Q'TY
58	SPACER	4
59	FLAT BAR	1
60	ROLL PIN D2x10	2
61	MAGAZINE (B)	1
62	SPRING PLATE	2
63	TAP BOLT M3x8	1
64	SPACER SAFETY COVER	1
65	HEX. BAR WRENCH 3MM	1
66	NYLON NUT M4	1
67	MAGAZINE COVER (B)	1
68	STOP LEVER	1
69	SAFETY SPRING	1
70	MAGAZINE COVER (C)	1
71	ROLL PIN D3x16	1
72	HEX. SOCKET HD. BOLT (W/BUTTON) M4x12	1
73	ANCHOR BLOCK	1
74	PUSHER	1
75	SHAFT	1
76	PUSHING SPRING	1
77	SEAL LOCK HEX. SOCKET HD. BOLT M3x6	1
78	MAGAZINE COVER (A)	1
79	NAME PLATE	1
501	SAFETY COBVER	1





Issued by

 **Hitachi Koki Co., Ltd.**

Shinagawa Intercity Tower A, 15-1, Konan 2-chome,  
Minato-ku, Tokyo 108-6020, Japan

Distributed by

 **Hitachi Koki U.S.A., Ltd.**

3950 Steve Reynolds Blvd.  
Norcross, GA 30093

 **Hitachi Koki Canada Co.**

450 Export Blvd. Unit B,  
Mississauga ON L5T 2A4

908

Code No. C99127161 T

Printed in Taiwan