

Visit us at www.swisherinc.com

SWISHER®

Trim-Max

OWNER'S MANUAL

MODEL NO.

STARTING SERIAL # L216-335001

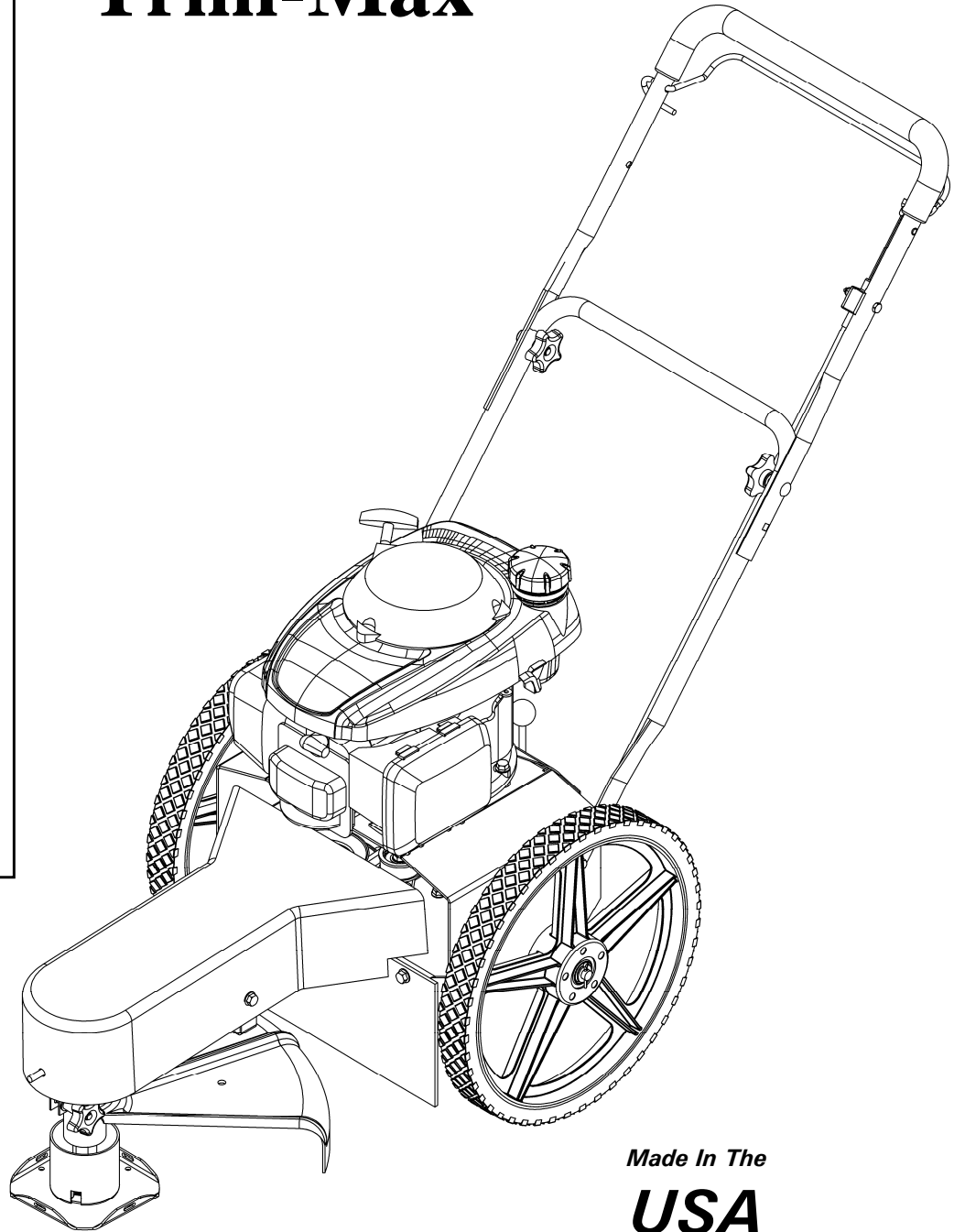
STD4422HO



IMPORTANT

Read and follow all
Safety Precautions
and Instructions
before operating this
equipment.

- ❖ Assembly
- ❖ Operation
- ❖ Service and
Adjustment
- ❖ Repair Parts



Made In The

USA

of US and Global Parts

SWISHER ACQUISITION INC.
1602 CORPORATE DRIVE, WARRENSBURG MISSOURI 64093
PHONE 660-747-8183 FAX 660-747-8650

LIMITED WARRANTY

The manufacturer's warranty to the original consumer purchaser is: This product is free from defects in materials and workmanship for a period of two (2) years from the date of purchase by the original consumer purchaser. We will repair or replace, at our discretion, parts found to be defective due to materials or workmanship. This warranty is subject to the following limitations and exclusions:

- 1) Engine Warranty All engines utilized on our products have a separate warranty extended to them by the individual engine manufacturer. Any engine service difficulty is the responsibility of the engine manufacturer and in no way is Swisher or its agents responsible for the engine warranty. The Briggs & Stratton Engine Service Hot Line is 1-800-233-3723.

- 2) Commercial Use This product is not intended for commercial use and carries no commercial warranty.

- 3) Limitation This warranty applies only to products which have been properly assembled, adjusted, and operated in accordance with the instructions contained within this manual. This warranty does not apply to any product of Swisher that has been subject to alteration, misuse, abuse, improper assembly or installation, shipping damage, or to normal wear of the product.

- 4) Exclusions Excluded from this warranty are normal wear, normal adjustments, and normal maintenance.

In the event you have a claim under this warranty, you must return the product to an authorized service dealer. All transportation charges, damage, or loss incurred during transportation of parts submitted for replacement or repair under this warranty shall be borne by the purchaser. Should you have any questions concerning this warranty, please contact us toll-free at 1-800-222-8183. The model number, serial number, date of purchase, and the name of the authorized Swisher dealer from whom you purchased the trimmer will be needed before any warranty claim can be processed.

THIS WARRANTY DOES NOT APPLY TO ANY INCIDENTAL OR CONSEQUENTIAL DAMAGES AND ANY IMPLIED WARRANTIES ARE LIMITED TO THE SAME TIME PERIODS STATED HEREIN FOR ALL EXPRESSED WARRANTIES. Some states do not allow the limitation of consequential damages or limitations on how long an implied warranty may last, so the above limitations or exclusions may not apply to you. This warranty gives you specific legal rights and you may have other rights, which vary from state-to-state. This is a limited warranty as defined by the Magnuson-Moss Act of 1975.

Safety Instructions



This Safety Alert Symbol indicates important messages in this manual. When you see this symbol, carefully read the message that follows and be alert to the possibility of personal injury.

- Read, understand and follow all instructions in the manual and on the trimmer before starting.
- Read this manual carefully. Become familiar with the controls and how to operate the unit properly.
- Only allow responsible adults, who are familiar with the instructions, to operate the unit.
- Clear the area of objects such as rocks, toys, etc. that could be thrown by the unit.
- Be sure the area is clear of other people before trimming. Stop the unit if anyone enters the area.
- Be aware of the direction of the trimmer discharge and do not direct it at anyone. Do not direct trimmer discharge at breakable objects, such as windows, etc.
- Do not operate trimmer without all guards and shields in place.
- Never leave the machine running unattended.
- Trim only in daylight or good artificial light.
- Do not operate the trimmer while under the influence of alcohol or drugs.
- Watch for traffic when operating near roadways.
- Use the trimmer as the manufacturer intended and as described in the manual.
- Do not operate trimmer if it has been dropped or damaged in any manner. Always have the damage repaired before operating.
- Always wear safety glasses or eye shields when using the trimmer.
- Dress properly. Do not operate the trimmer when barefoot or wearing open sandals. Wear only solid shoes for good traction when trimming. Wear long sleeved shirts or jackets, also long pants. Do not trim in shorts.
- Keep your eyes and mind on your trimmer and the area being trimmed. Do not let other interests distract you.
- Do not put hands and feet near or under rotating parts.
- Before cleaning, inspecting or repairing your trimmer, stop the engine and disconnect the spark plug wire and keep it away from the spark plug to prevent accidental starting.
- Do not operate the trimmer if it vibrates abnormally. Excessive vibration is a sign of damage. Stop the engine and safely check for damage and repair as required.
- Do not operate the trimmer in wet grass, where good footing may not be possible. Walk, never run.
- Stop the trimmer when crossing gravel drives, etc.

Slope Operation



Slopes are a major factor related to loss of control and slip accidents, which can result in severe injury. All slopes require extra caution. If you feel uneasy on it do not trim it.

- DO: Trim across the face of a slope and not up and down.
- DO: Remove objects such as rocks, tree limbs, etc.
- DO: Watch for holes, ruts or bumps. Tall grass can hide obstacles.
- DO NOT: Mow near drop-offs, ditches or embankments. The operator could lose footing or balance.
- DO NOT: Trim excessively steep slopes.
- DO NOT: Trim on wet grass. Reduced footing could cause slipping.

Children

- Keep children out of the area and under the watchful care of another responsible adult.
- Be alert and turn the machine off if children enter the area.
- Before and when backing, look behind and down for small children.
- Never allow children to operate this machine.
- Use extra care when approaching blind corners, shrubs, trees or other objects that may obstruct vision.

Service

- Use extra care handling gasoline and other fuels. They are flammable and vapors are explosive.
- Use only an approved container for fuel.
- Never remove gas cap or add fuel with the engine running.
- Allow engine to cool before refueling. Do not smoke while refueling.
- Never refuel the machine indoors.
- Never store the machine or fuel container where there is an open flame, such as a water heater.
- Never run a machine inside a closed area.
- Keep nuts and bolts tight and equipment in good condition.
- Never tamper with safety devices.
- Keep machine free of grass, leaves or other debris build up. Clean oil or fuel spillage. Allow machine to cool before storing.
- Stop and inspect the equipment if you strike an object. Repair if necessary before restarting.
- Never make repairs or adjustments with the engine running.



The operation of any mower can encounter foreign objects to be thrown into the eyes, resulting in severe eye damage. Always wear certified safety glasses or wide-vision safety goggles over spectacles before starting any cutting machine and while operating such a machine.



The operation of any mower produces sound waves that are damaging to the human ear. Ear protection is recommended.



CAUTION!

Tragic accidents can occur if the operator is not alert to the presence of children. Children are often attracted to the machine and the mowing activity. *Never assume that children will remain where you last saw them.*



Do not operate the trimmer if it vibrates abnormally. Excessive vibration is a sign of damage. Stop the engine and safely check for damage and repair as required.

CAUTION	IMPORTANT
ADJUST STRING SHIELD TO KEEP DEBRIS FROM COMING BACK TOWARD OPERATOR.	DO NOT CHANGE HEAD POSITION WHILE RUNNING

Caution Notice Decal
OD67

Trimmer Head
Instruction Decal
OD68

TRIMMER HEAD	
TILT	OFFSET



**WARNING
AVERTISSEMENT**

AVOID SERIOUS INJURY OR DEATH
PRÉVENIR LES BLESSURES GRAVES OU MORTELLES

- DO NOT OPERATE WHEN CHILDREN OR OTHERS ARE AROUND. REMOVE OBJECTS THAT COULD BE THROWN BY THE CUTTING LINES.
- WEAR SAFETY APPROVED EYE PROTECTION WHEN OPERATING.
- DO NOT SERVICE OR ADJUST CUTTING HEAD OR OTHER MOVING PARTS UNLESS ENGINE IS STOPPED AND SPARK PLUG WIRE IS DISCONNECTED.
- KEEP SAFETY DEVICES, SUCH AS GUARDS AND DEFLECTORS, IN PLACE AND OPERATING.
- GO ACROSS SLOPES NOT UP AND DOWN.
- LOOK DOWN AND BEHIND BEFORE AND WHILE MOVING BACKWARDS.
- READ AND FOLLOW OWNER'S MANUAL.
- Ne pas utiliser si des enfants ou des tiers se trouvent aux alentours. Enlever tout objet qui pourrait être projeté par les lignes de coupe.
- Porter des lunettes de sécurité homologuées lors de l'utilisation.
- Ne procéder à l'entretien de la tête de coupe ou de pièces en mouvement et ne les ajuster que si le moteur est arrêté et que le fil de bougie est déconnecté.
- Conserver en place et en bon état de fonctionnement les dispositifs de sécurité tels que les protections et les déflecteurs.
- Conduire en travers des pentes et non de haut en bas.
- Regarder vers le bas et vers l'arrière avant et pendant le recul.
- Lire le manuel du propriétaire et en respecter les instructions.



OD64

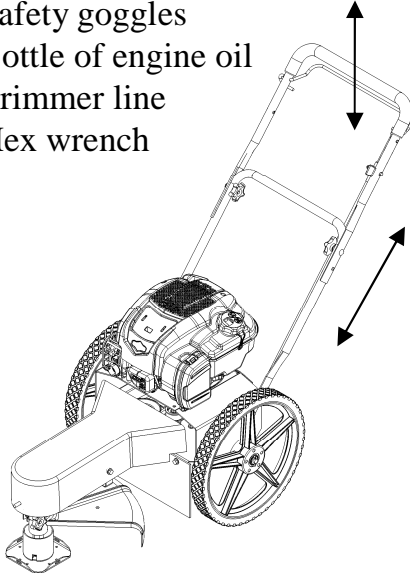
Trim-Max Decal
OD64

Assembly

Contents of Box:

- Trimmer
- Parts bag containing:

- Manual
- Engine manual
- Safety goggles
- Bottle of engine oil
- Trimmer line
- Hex wrench



Handle Adjustment

Tools Required:

- 1/2" Wrench

Installation of handles:

1. Remove loose fasteners from trimmer frame handle holes.
2. Pivot handles up and align holes in handle with holes on trimmer frame. Install hardware removed in previous step. Snug, but do not tighten bolts.
3. Pivot upper handles to fit the lower handles. Tighten knobs.
4. Adjust handles for comfortable operation.
5. Tighten all bolts.

Handles may be adjusted up and down and in and out for comfortable operation.

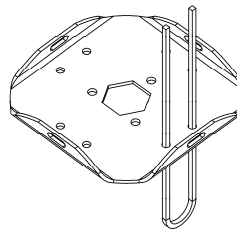
Preparing Unit For First Use

- Fill engine crankcase with oil. A 20oz. bottle has been provided with this unit. A new unit requires 18-20oz. **DO NOT OVERFILL.**
- Fill the engine fuel tank with gasoline. **GASOLINE SHOULD BE ADDED OUTSIDE IN A WELL-VENTILATED AREA.**
- Check to ensure string has been installed properly. A diagram is provided just above the trimmer head for proper installation.
- Refer to engine manufacture's manual for oil and fuel specifications.

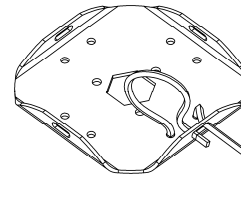
Installing Trimmer Line

Important! Use the proper length of line. Using a line too long for the unit will cause stalling and unacceptable operation.

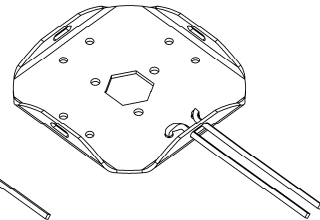
Use 18" Trimmer Line Part Number **P3618**



Step 1



Step 2



Step 3

- Loosely fold trimmer line in half.
- Insert line through the bottom holes of the cutting disc (Step 1).
- Bring ends around and through the slot in the cutting disc flange (Step 2).
- Pull ends to tighten loop (Step 3).

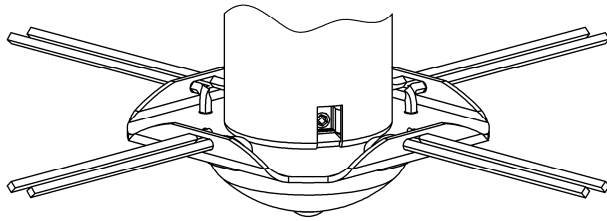
Trimmer Line Positions

Trimmer line attachment positions:

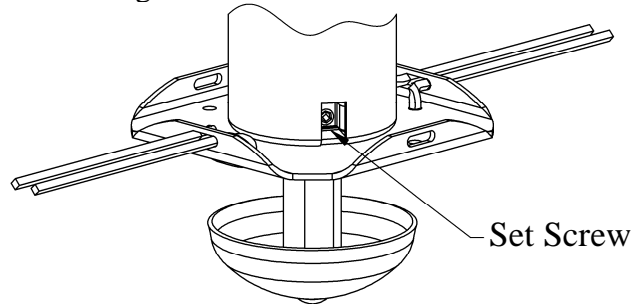
- Trimmer is equipped with 4 trimmer line attachment points.
- When mowing with trimmer, the 4 trimmer line configuration is recommended for a more consistent, even cut.
- When trimming tall or thick vegetation, the 2 trimmer line configuration is recommended for improved performance.

To adjust cutting height:

1. Loosen set screw using hex wrench provided.
2. Slide cutting head up or down to desired cutting height.
3. Tighten set screw.
4. Any cutting height may be used with either trimmer line configuration.



4 Trimmer line Configuration
Shown set at Low cutting height



2 Trimmer line Configuration
Shown set at High cutting height

Operation

Important! To ensure proper operation, clean the engine and trimmer regularly. Remove any build up of chaff from the top of the engine. During operation debris may get wrapped around trimmer head. Prolonged use in this condition may result in excessive wear and part failures. Periodically turn off trimmer and remove debris.

To start the trimmer:

1. Remove any built up debris from engine and trimmer head.
2. Read and follow starting instructions listed in your engine manual.
3. When engine starts, leave throttle control at "FAST". Throttle control must be set in the fast position for maximum performance.
4. Engage trimming head.
5. Begin trimming.

To engage/disengage trimmer head:

- Engage: Bring control bail into contact with the upper handle and grip it together with the handle. If trimmer head does not fully engage, see belt adjustment section.
- Disengage: Release control bail. Trimmer head should stop within a few seconds. If it does not, see belt adjustment section.

To stop the trimmer:

1. Release the control bail.
2. Move throttle control lever on engine to "SLOW" for a few seconds then move to "STOP".

Important! For safest operation, make sure debris is directed away from you and others.

Troubleshooting

- **If engine will not start, remove and check air filter to make sure filter and carburetor are clean.**

Trimming Tips

- Do not lift the trimmer head when trimming. Let the head rest lightly touching the ground.
- Keep an eye on the length of the trimmer line. As the line gets shorter they become less effective at cutting and will take longer to trim properly. Replace the line as necessary (see Installing Trimmer Line).
- Do not trim wet grass.
- Use caution when trimming slopes.
- Use the proper length of line. Using a line too long for the unit will cause stalling and unacceptable operation.

Operation

The Trim-Max trimmer is designed to also be used as an edge trimmer and to offset left to right for easier close trimming.

Edge Trimming/Bevel Cutting

The trimmer disk may be tilted from horizontal to vertical so that it may be used as an edge trimmer. The head may also be tilted slightly to trim closer. This may be handy for trimming foundations without damaging the siding.

To Tilt:

1. Stop unit.
2. Make sure head is in the straight forward position (see Offset Trimming).
3. Loosen the trimmer tilt clamp lever (clockwise).
4. Tilt head to desired position.
5. Tighten trimmer tilt clamp lever (counter-clockwise).
6. Adjust lower trimmer shield to keep debris from coming back at operator.

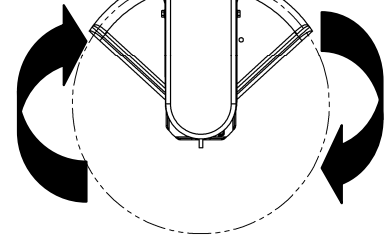
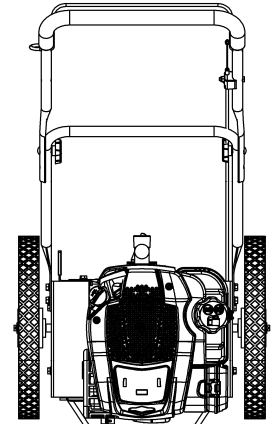
Offset Trimming:

The trimmer head may be offset to the left or right to allow trimming under bushes, et

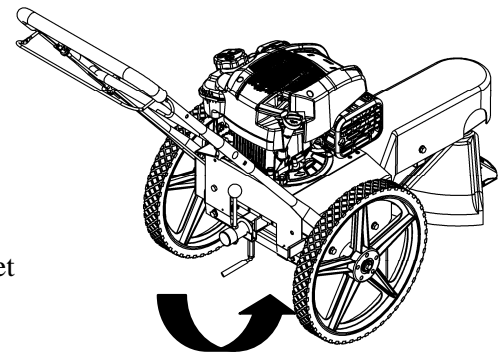
To Offset:

1. Stop unit.
2. Raise offset lever.
3. Push or pull handles to achieve desired offset.
4. Release offset lever. Make sure head has locked into position.
5. Adjust lower trimmer shield to keep debris from coming back at operator.

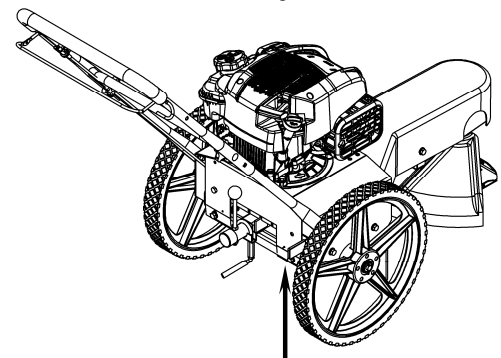
Important! Note direction of debris when offsetting head. Offsetting trimmer to the left is recommended.



Direction of Debris



Tilt Adjustment



Pivot Adjustment

Trimmer Maintenance

Make sure your trimmer is in safe working condition by keeping the following guidelines in mind every time you use your trimmer.

- Keep trimmer in good operating condition and keep all guards and shields in place. DO NOT operate this trimmer if any of the shields and guards are missing.
- Check all fasteners for secure fit to keep equipment in safe working order. Make adjustments as necessary.
- To reduce fire hazards, keep engine free of grass, leaves or excessive grease.
- DO NOT operate trimmer with a damaged or missing muffler. DO NOT tamper with exhaust system; this may cause a fire hazard.
- DO NOT operate engine if air cleaner or the cover over the carburetor air intake is missing. Removal of these parts could create a fire hazard.
- Before cleaning, making adjustments or repairing the trimmer, STOP engine, disconnect spark plug wire and allow engine to cool.
- Handle gasoline with care. DO NOT smoke or use open flame near gasoline. Use only approved gasoline containers. Never fuel or run trimmer in poorly ventilated areas, such as a garage or utility building.
- Always replace fuel tank cap. Be sure to clean up any spilled gasoline.
- Do not change the engine governor settings or over-speed the engine; severe injury or damage may result.
- Never store mower with gasoline in the tank inside a building where fumes may reach an open flame or spark. Always allow engine to cool before storing.



NEVER ADD GASOLINE TO A HOT ENGINE – ALLOW ENGINE TO COOL BEFORE ADDING GASOLINE.



WARNING – ALWAYS STOP ENGINE AND DISCONNECT SPARK PLUG WIRE BEFORE PERFORMING ANY ADJUSTMENTS OR SERVICE.

Engine

- Refer to the engine service manual provided with this unit.

Belts

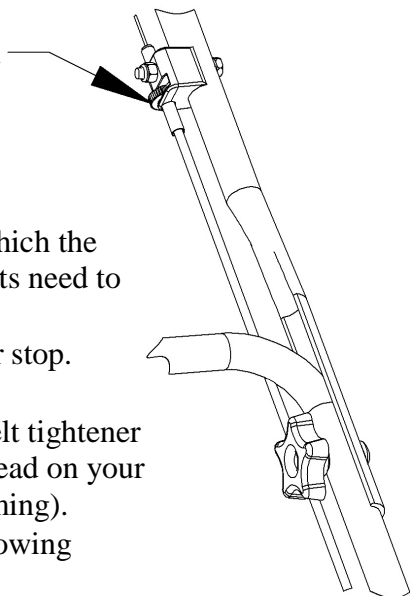
- Occasionally check the belts for wear. A worn belt should be replaced.

Belt Adjustment

During the first few hours of operation all belts go through a “break-in period” after which the belts may need to be adjusted using the following instructions. Indications that the belts need to be adjusted include:

- Loss of power at the trimming head causing the head to spin unusually slow or stop.
- Excessive wear on belt due to slipping.
- The belt between the trimmer head and the double idler pulley has an automatic belt tightener that automatically adjusts when the head is tilted. If you do not regularly tilt the head on your trimmer, it is recommended that you loosen the head twice a year (see Edge Trimming).
- The belt used to engage/disengage the trimmer head can be adjusted using the following instructions:
 1. Locate the thumb wheel adjuster on the control cable (see illustration).
 2. Release control bail to disengage trimmer head.
 3. Rotate thumb wheel a few turns counterclockwise (from normal operating position).
 4. Re-engage trimmer head.
 5. If trimmer head has not returned to normal operation, repeat steps 2-4.

Thumb wheel



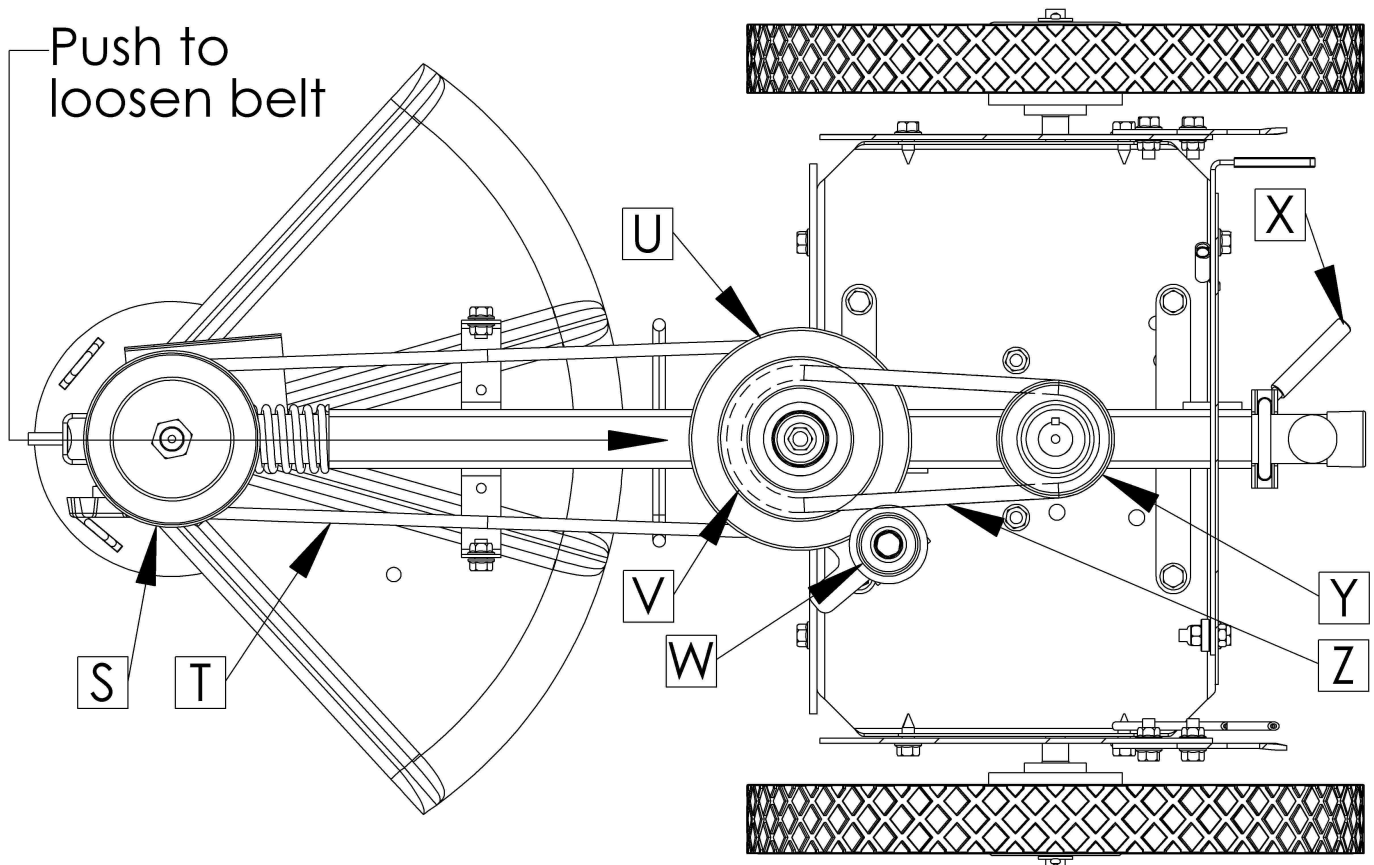
Important! Do not over tighten cable adjuster. This may cause the cable to break. Excessive force should NOT be required to fully engage control bail.

Head Engagement Belt **Z** Replacement

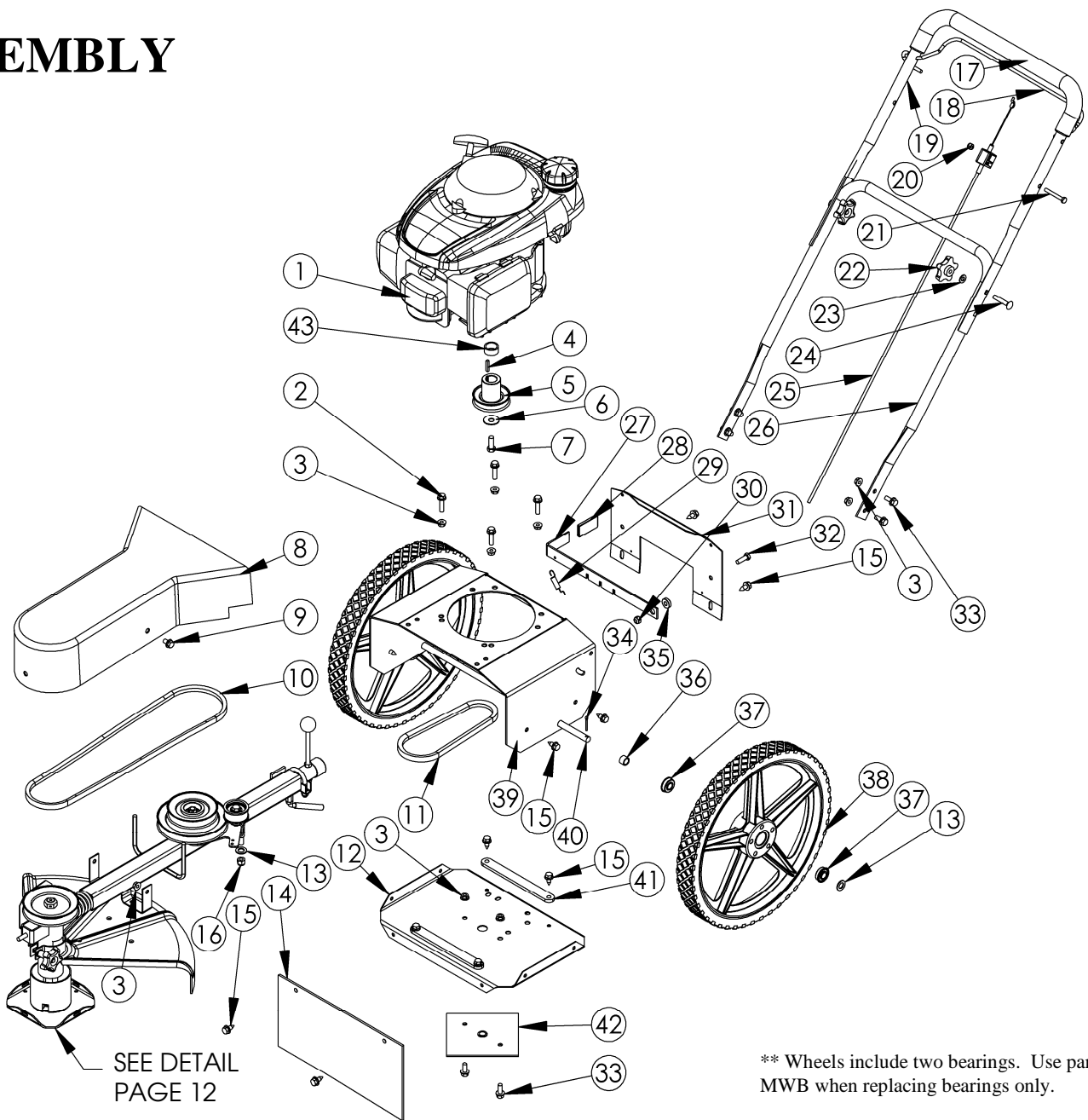
1. Remove front belt cover.
2. Remove old belt.
3. Install new belt by first routing belt under the engine and around engine pulley **Y**.
4. Then route belt around upper power transfer pulley **V**.
5. Ensure idler pulley **W** is located on the outside of belt as shown.
6. Ensure that belt is correctly installed in the groove of each pulley.
7. Reinstall front belt cover.
8. If belt tension had previously been adjusted, reset thumb wheel adjuster by rotating wheel clockwise as far as adjuster will allow (see illustration in belt adjustment instructions). If head does not properly engage refer to belt adjustment instructions.

Power Transfer Belt **T** Replacement

1. Remove front belt cover.
2. Remove Head Engagement Belt **Z**.
3. Loosen tilt handle **X**.
4. Push trimmer head toward back of unit, compressing tensioner spring.
5. Remove old belt.
6. Install new belt by first routing belt around lower power transfer pulley **U**. Then route belt around front pulley **S**. **CAUTION – Pinch Hazard:** Ensure that you do not get any part of your body between the belt and the pulleys as this may cause injury.
8. Release trimmer head and tighten tilt handle per operating instructions.
9. Reinstall Head Engagement Belt per instructions above.
10. Reinstall front belt cover.
11. If head does not properly engage refer to belt adjustment instructions.



ASSEMBLY

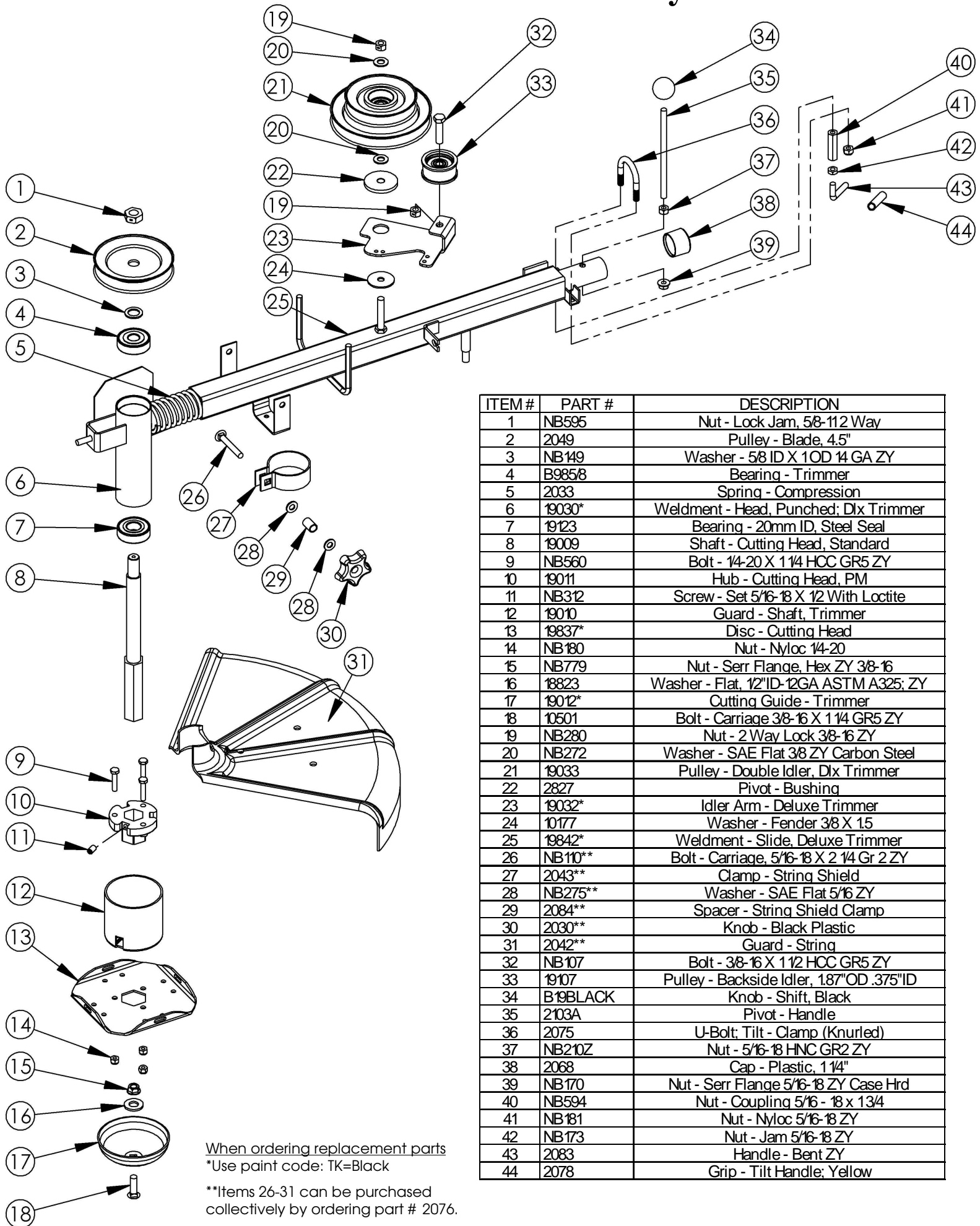


** Wheels include two bearings. Use part # MWB when replacing bearings only.

Item #	Part #	Description	Item #	Part #	Description
1	N/A	Honda GCV160 Engine	22	2030	Knob - Black Plastic
2	NB253	Bolt - Serr Flange, 5/16-18 X1 1/4ZY	23	NB275	Washer - SAE Flat 5/16
3	NB170	Nut - Serrated Flange 5/16-18	24	NB587	Bolt - Carriage 5/16-18 X 1 3/4
4	9030	Key Stock - 3/16 X 1	25	19006	Cable - Control, Trimmer
5	19117	Pulley - Engine	26	10399*	Handle - Lower
6	699	Washer - Belleville 7/16 X 1 1/4	27	2040*	Stop - Pivot
7	NB238N	Bolt - HHC 3/8-24 X 1	28	2077	Pivot - Handle Grip
8	2119	Guard - Belt	29	2069	Spring - Deluxe Trimmer
9	NB252	Bolt - Serr Flange, 5/16-18 X 1/2 ZY	30	NB181	Nut - Nyloc 5/16-18 ZY
10	19074	Belt - 45", Deluxe Trimmer	31	19059*	Cover - Rear, Deluxe Trimmer
11	19053	Belt - 24", Trimmer	32	NB501	Bolt - 5/16-18 X 1
12	2006*	Base - Lower Motor	33	NB596	Bolt - Serrated Flange 5/16-18 X 3/4
13	NB177	Washer - Mach 1/2	34	NB126	Pin - Cotter, 1/8 X 1
14	19004	Shield - Rubber	35	B99S	Spacer
15	26X249	Screw - .312-18 X .75	36	690369	Spacer - 1/2" TO 17 MM
16	NB182	Nut - Nyloc 3/8-16 ZY	37	MWB	Bearing - Wheel, 1 1/8"OD X 1/2"ID
17	19561	Grip - Handle	38	2003K**	Wheel - 16", 1/2" ID Bearing, Blk
18	19005	Bail - Trimmer	39	19058*	Motor Base - Upper, Dlx Trimmer
19	10578*	Handle - Upper	40	14416	Axle - Trimmer; YZ
20	NB180	Nut - Nyloc 1/4-20	41	2116	Strip - Wear
21	NB218	Bolt - 1/4-20 X 2 HCC GR5 ZY	42	2073*	Plate - Pivot Weldment
			43	20883	Spacer - 1.125 X .120 Wall X .500

When ordering replacement parts
* USE PAINT CODE: TK=BLACK

Trimmer Head Assembly



ITEM #	PART #	DESCRIPTION
1	NB595	Nut - Lock Jam, 5/8-11/2 Way
2	2049	Pulley - Blade, 4.5"
3	NB149	Washer - 5/8 ID X 1OD 1/4 GA ZY
4	B985/8	Bearing - Trimmer
5	2033	Spring - Compression
6	19030*	Weldment - Head, Punched; Dlx Trimmer
7	19123	Bearing - 20mm ID, Steel Seal
8	19009	Shaft - Cutting Head, Standard
9	NB560	Bolt - 1/4-20 X 1 1/4 HCC GR5 ZY
10	19011	Hub - Cutting Head, PM
11	NB312	Screw - Set 5/16-18 X 12 With Loctite
12	19010	Guard - Shaft, Trimmer
13	19837*	Disc - Cutting Head
14	NB180	Nut - Nyloc 1/4-20
15	NB779	Nut - Serr Flange, Hex ZY 3/8- 16
16	18823	Washer - Flat, 1/2"ID-12GA ASTM A325; ZY
17	19012*	Cutting Guide - Trimmer
18	10501	Bolt - Carriage 3/8- 16 X 1 1/4 GR5 ZY
19	NB280	Nut - 2 Way Lock 3/8- 16 ZY
20	NB272	Washer - SAE Flat 3/8 ZY Carbon Steel
21	19033	Pulley - Double Idler, Dlx Trimmer
22	2827	Pivot - Bushing
23	19032*	Idler Arm - Deluxe Trimmer
24	10177	Washer - Fender 3/8 X 1.5
25	19842*	Weldment - Slide, Deluxe Trimmer
26	NB110**	Bolt - Carriage, 5/16-18 X 2 1/4 Gr 2 ZY
27	2043**	Clamp - String Shield
28	NB275**	Washer - SAE Flat 5/16 ZY
29	2084**	Spacer - String Shield Clamp
30	2030**	Knob - Black Plastic
31	2042**	Guard - String
32	NB107	Bolt - 3/8- 16 X 1 1/2 HCC GR5 ZY
33	19107	Pulley - Backside Idler, 1.87"OD .375"ID
34	B19BLACK	Knob - Shift, Black
35	2103A	Pivot - Handle
36	2075	U-Bolt: Tilt - Clamp (Knurled)
37	NB210Z	Nut - 5/16-18 HNC GR2 ZY
38	2068	Cap - Plastic, 1 1/4"
39	NB170	Nut - Serr Flange 5/16- 18 ZY Case Hrd
40	NB594	Nut - Coupling 5/16 - 18 x 13/4
41	NB181	Nut - Nyloc 5/16- 18 ZY
42	NB173	Nut - Jam 5/16- 18 ZY
43	2083	Handle - Bent ZY
44	2078	Grip - Tilt Handle; Yellow

When ordering replacement parts
*Use paint code: TK=Black

**Items 26-31 can be purchased collectively by ordering part # 2076.

OWNER'S MANUAL

MODEL NO.

STD4422HO

Each trimmer has its own model number. Each engine has its own model number. The model number for the trimmer will be found on the left hand side of the motor base. The model number for the engine will be found on the top of the blower fan housing.

All trimmer parts listed herein may be ordered directly from Swisher or your nearest Swisher dealer.

All engine parts may be ordered from the nearest dealer of the engine supplied with your mower.

WHEN ORDERING PARTS, PLEASE HAVE THE FOLLOWING INFORMATION AVAILABLE:

- * PRODUCT – TRIMMER
- * SERIAL NUMBER - _____
- * MODEL NUMBER - _____
- * ENGINE MODEL NUMBER - _____
TYPE - _____
- * PART NUMBER WITH PAINT CODE
- * PART DESCRIPTION

TELEPHONE - 1-800-222-8183

FAX - 1-660-747-8650

SWISHER ACQUISITION INC.

1602 CORPORATE DRIVE

WARRENSBURG, MO 64093

SWISHER®

Changing your landscape since 1945.

Visítenos en www.swisherinc.com

SWISHER®

MANUAL DEL PROPIETARIO

Número del modelo

Del número de serie
L216-335001

STD4422HO

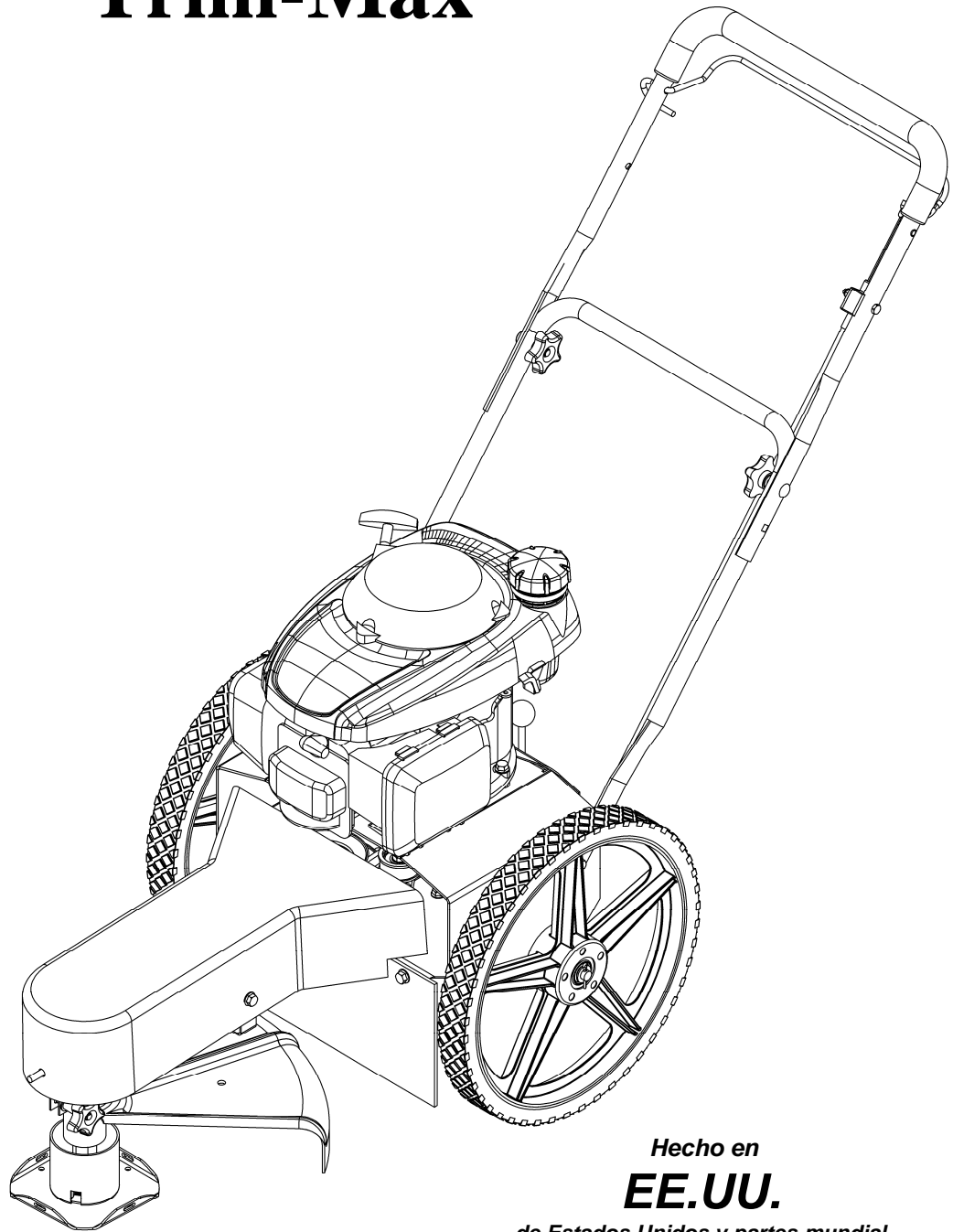


IMPORTANTE

Lea y siga todas las advertencias e instrucciones sobre seguridad antes de poner en funcionamiento este equipo.

- ❖ Ensamblaje
- ❖ Funcionamiento
- ❖ Servicio y ajuste
- ❖ Piezas para reparación

Trim-Max



Hecho en
EE.UU.

de Estados Unidos y partes mundial

SWISHER ACQUISITION INC.
1602 CORPORATE DRIVE, WARRENSBURG MISSOURI 64093
TELÉFONO 660-747-8183 FAX 660-747-8650

GARANTÍA LIMITADA

La garantía que el fabricante otorga al comprador original es: Este producto está libre de defectos en los materiales y la mano de obra por un periodo de dos (2) años desde la fecha de compra por parte del comprador consumidor original. Repararemos o cambiaremos, a nuestra discreción, las partes que se determine estén defectuosas debido a los materiales o a la mano de obra. Esta garantía está sujeta a las siguientes limitaciones y exclusiones:

- 1) Garantía del motor Todos los motores que se utilizan en nuestros productos poseen una garantía separada que las extiende el fabricante a cada motor. Cualquier problema en el funcionamiento del motor es responsabilidad del fabricante del motor y de ninguna manera Swisher o sus agentes son responsables por la garantía del motor. El teléfono de atención de Briggs & Stratton Engine Service Hot Line es 1-800-233-3723.

- 2) Uso Comercial Este producto no ha sido diseñado para uso comercial y no posee garantía comercial.

- 3) Limitación Esta garantía se aplica sólo a los productos que se han ensamblado, ajustado y operados correctamente de acuerdo con las instrucciones contenidas en este manual. Esta garantía no se aplica a ningún producto de Swisher que ha sido objeto de modificaciones, mal uso, abuso, ensamblaje o instalación incorrectos, daños en el embarque, o a un desgaste normal del producto.

- 4) Exclusiones Están excluidos de esta garantía el desgaste normal, los ajustes normales y el mantenimiento normal.

En caso de que usted tenga un reclamo amparado por esta garantía, debe regresar el producto a un representante de servicio autorizado. Todos los cargos de transporte, daños o pérdida que se produzcan durante el transporte de las piezas suministradas para el cambio o reparación bajo esta garantía los cubrirá el comprador. Si tiene preguntas relacionadas con esta garantía, por favor llámenos al número gratis 1-800-222-8183. Antes de procesar cualquier reclamo cubierto por la garantía, necesitamos saber el número del modelo, el número del serial y el nombre del distribuidor Swisher autorizado en donde usted compró la podadora.

ESTA GARANTÍA NO SE APLICA A DAÑOS INCIDENTALES O CONSECUENCIALES Y CUALQUIERA DE LAS GARANTÍAS IMPLÍCITAS SE LIMITAN AL MISMO PERIODO DE TIEMPO ESTABLECIDO AQUÍ, PARA TODAS LAS GARANTÍAS EXPRESAS. Algunos estados no permiten la limitación de los daños consecuenciales o las limitaciones en la duración de una garantía implícita, así que las limitaciones o las exclusiones de arriba es posible que no apliquen para usted. Esta garantía le otorga derechos legales específicos y usted puede tener otros derechos, los cuales varían de un estado a otro. Esta es una garantía limitada de acuerdo a como se ha definido en la ley Magnuson-Moss Act de 1975.

Instrucciones sobre seguridad



Este símbolo de alerta de seguridad indica mensajes importantes en este manual. Cuando vea este símbolo, lea cuidadosamente el mensaje que sigue y esté alerta a la posibilidad de lesiones personales

- Lea, comprenda y siga todas las instrucciones del manual y sobre la orilladora antes de encenderla
- Lea cuidadosamente este manual. Familiarícese con los controles y cómo operar correctamente la unidad.
- Sólo permita que los adultos responsables, que estén familiarizados con las instrucciones operen la unidad.
- Limpie el área de objetos tales como rocas, juguetes, etc., que pudieran ser arrojados por la unidad.
- Asegúrese de que no haya otras personas antes de hacer recortes. Detenga la unidad si alguien entra al área.
- Esté alerta sobre la dirección de la descarga de la orilladora y no la dirija hacia nadie.
- No dirija la descarga de la orilladora hacia objetos rompibles, tales como ventanas, etc.
- No ponga en funcionamiento la orilladora sin que tenga colocadas todas las protecciones y pantallas.
- Nunca deje la máquina funcionando sin supervisión.
- Pude sólo bajo la luz del día o con buena luz artificial.
- No opere la orilladora mientras esté bajo la influencia del alcohol o de drogas.
- Tenga cuidado con el tráfico cuando esté operando cerca de vías de comunicación.
- Use la orilladora de acuerdo a lo proyectado por el fabricante y como se describe en el manual.
- No ponga a funcionar la orilladora si se ha caído o está dañada de alguna forma. Siempre haga que reparen los daños antes de ponerla a funcionar.
- Siempre use gafas de seguridad o protectores para los ojos cuando use la orilladora.
- Vístase adecuadamente. No opera la orilladora cuando esté descalzo o cuando use sandalias abiertas. Use sólo zapatos sólidos para una buena tracción cuando esté rebajando. Use camisas manga larga o chaquetas, también use pantalones largos. No puede usando pantalones cortos.
- Mantenga los ojos y la mente en su orilladora y en el área que está podando.
- No permita que otros intereses lo distraigan.
- No coloque las manos y los pies cerca o debajo de las piezas rotatorias.
- Antes de limpiarla inspeccione o repare la orilladora, pare el motor y desconecte el cable de la bujía y manténgalo lejos de la bujía para evitar un arranque accidental.
- No opere la orilladora si vibra anormalmente. La vibración excesiva es una señal de daño. Pare el motor y revise cuidadosamente el daño y repárelo como sea necesario.
- No ponga a funcionar la orilladora sobre grama húmeda, donde no sea posible una pisada firme. Camine, nunca corra.
- Detenga la orilladora cuando cruce sobre sendas de grava, etc.

Funcionamiento en pendiente



Las pendientes son un factor principal relacionado con la pérdida de control y de accidentes por resbalones, los cuales pueden ocasionar lesiones graves. Todas las pendientes exigen mayor precaución. Si se siente incómodo en una pendiente no realice la poda.

- SÍ: Poda a través de la cara de una pendiente y no arriba y abajo
- SÍ: Quite los objetos tales como rocas, ramas de árboles, etc.
- SÍ: Esté pendiente de los agujeros, los surcos o los topes. El césped alto puede esconder los obstáculos.
- NO: Poda cerca de declives, zanjas o terraplenes. El operador podría perder apoyo o balance.
- NO: Poda en exceso las pendientes pronunciadas
- NO: Poda sobre el césped húmedo. La pisada sin apoyo podría ocasionar resbalones.

Niños

- Mantenga a los niños fuera del área y bajo la supervisión de otro adulto responsable.
- Esté alerta y apague la máquina si los niños entran al área.
- Antes y cuando repase, observe hacia atrás y hacia abajo si hay niños.
- Nunca permita que los niños pongan a funcionar esta máquina.
- Tenga mayor cuidado cuando se aproxime a las esquinas ciegas, arbustos, árboles o hacia otros objetos que puedan obstruir la visión.

Servicio

- Tenga mucho cuidado cuando manipule gasolina y otros combustibles. Son inflamables y sus gases son explosivos.
- Use sólo un recipiente aprobado para el combustible.
- Nunca quite la tapa de la gasolina o añada combustible con el motor encendido.
- Permita que el motor se enfríe antes de agregarle más combustible. No fume.
- Nunca recargue de combustible la máquina en ambientes interiores.
- Nunca almacene la máquina o el recipiente de combustible donde haya una llama abierta, tal como un calentador de agua.
- Nunca ponga a funcionar una máquina en un área cerrada.
- Mantenga las tuercas y los pernos roscados apretados y el equipo en buena condición.
- Nunca interfiera los dispositivos de seguridad
- Mantenga la máquina libre de grama, hojas o de otras partículas. Limpie los derrames de aceite y de combustible. Permita que la máquina se enfríe antes de almacenarla.
- Detenga e inspeccione el equipo si golpea un objeto. Repárelo, si es necesario, antes de volverlo a encender.
- Nunca haga reparaciones o ajustes con el motor encendido.



Cuando está en funcionamiento, cualquier cortadora puede chocar con objetos extraños que podrían ser lanzados a los ojos, lo que podría causar lesiones graves. Siempre use lentes de seguridad certificados o gafas de seguridad de visión amplia sobre los anteojos, antes de fijar la vista en cualquier maquina cortadora y mientras esté operando tal máquina.



El funcionamiento de cualquier cortadora produce ondas sonoras que pueden dañar el oído humano. Se recomienda protección para los oídos.



¡PRECAUCIÓN!
Pueden ocurrir accidentes trágicos si el operador no está alerta a la presencia de los niños. Los niños, a menudo, se sienten atraídos por las máquinas y por la actividad de podar. *Nunca asuma que los niños se quedarán donde usted los vió anteriormente.*



No opere la orilladora si vibra anormalmente. La vibración excesiva es una señal de daño. Pare el motor y revise con cuidado el daño y repárelo como sea necesario.

CAUTION	IMPORTANT
ADJUST STRING SHIELD TO KEEP DEBRIS FROM COMING BACK TOWARD OPERATOR.	DO NOT CHANGE HEAD POSITION WHILE RUNNING

Decal OD67 Trim Notificación de advertencia

Decal OD68 Instrucción para la cabeza recortadora

TRIMMER HEAD	
TILT	OFFSET



**WARNING
AVERTISSEMENT**

AVOID SERIOUS INJURY OR DEATH
PRÉVENIR LES BLESSURES GRAVES OU MORTELLES

- DO NOT OPERATE WHEN CHILDREN OR OTHERS ARE AROUND. REMOVE OBJECTS THAT COULD BE THROWN BY THE CUTTING LINES.
- WEAR SAFETY APPROVED EYE PROTECTION WHEN OPERATING.
- DO NOT SERVICE OR ADJUST CUTTING HEAD OR OTHER MOVING PARTS UNLESS ENGINE IS STOPPED AND SPARK PLUG WIRE IS DISCONNECTED.
- KEEP SAFETY DEVICES, SUCH AS GUARDS AND DEFLECTORS, IN PLACE AND OPERATING.
- GO ACROSS SLOPES NOT UP AND DOWN.
- LOOK DOWN AND BEHIND BEFORE AND WHILE MOVING BACKWARDS.
- READ AND FOLLOW OWNER'S MANUAL.
- Ne pas utiliser si des enfants ou des tiers se trouvent aux alentours. Enlever tout objet qui pourrait être projeté par les lignes de coupe.
- Porter des lunettes de sécurité homologuées lors de l'utilisation.
- Ne procéder à l'entretien de la tête de coupe ou de pièces en mouvement et ne les ajuster que si le moteur est arrêté et que le fil de bougie est déconnecté.
- Conserver en place et en bon état de fonctionnement les dispositifs de sécurité tels que les protections et les déflecteurs.
- Conduire en travers des pentes et non de haut en bas.
- Regarder vers le bas et vers l'arrière avant et pendant le recul.
- Lire le manuel du propriétaire et en respecter les instructions.



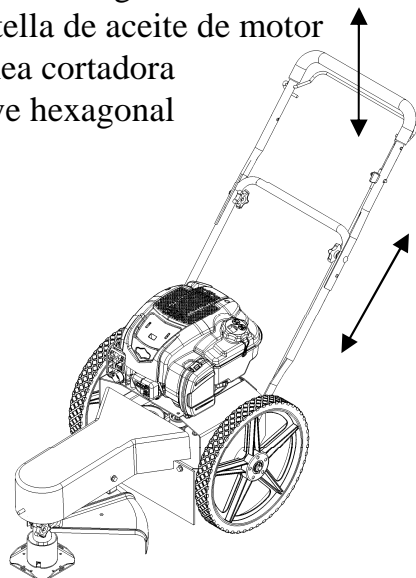
OD64

Trim-Max Decal
OD64

Ensamblaje

Las cajas contienen:

- Orilladora
- Contenido de las piezas en bolsas:
- Manual
 - Manual del motor
 - Gafas de seguridad
 - Botella de aceite de motor
 - Línea cortadora
 - llave hexagonal



Ajuste del mango

Herramientas necesarias:

- Llave de 12,7 mm

Instalación de los mangos:

1. Quite los sujetadores sueltos de los mangos inferiores.
2. Déle vuelta hacia arriba a los mangos y alinee el agujero inferior de los mangos con el agujero del marco de la orilladora. Instale los accesorios que se quitaron en el paso anterior. Ajuste, pero no apriete los pernos roscados.
3. Déle vuelta a los mangos superiores para que se acoplen con los mangos inferiores. Apriete los botones.
4. Ajuste los mangos para que funcionen cómodamente.
5. Apriete todos los pernos roscados.

Los mangos se pueden ajustar hacia arriba y hacia abajo y hacia adentro y hacia fuera para proporcionar un funcionamiento cómodo.

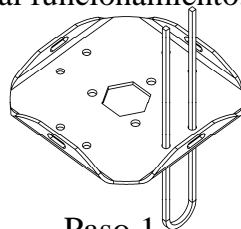
Preparación de la unidad para uso por primera vez

- Llène el cárter del motor con aceite. Con esta unidad se ha suministrado un 20oz envase con aceite. Una nueva unidad requiere 18-20oz. **NO LO SOBRELLENE.**
- Llène el tanque de combustible del motor con gasolina. **LA GASOLINA DEBE AGREGARSE EN EL EXTERIOR, EN UN ÁREA BIEN VENTILADA.**
- Inspeccione para estar seguro de que la cuerda se ha instalado correctamente. Para realizar una instalación correcta, se ha proporcionado un diagrama, y está exactamente arriba de el cabezal de corte.
- Consulte el manual del fabricante del motor para especificaciones de combustible y aceite.

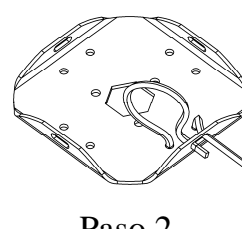
Instalación de la línea recortadora

¡Importante! Use la longitud adecuada de la línea. El uso de una línea demasiado larga para la unidad, ocasionará atascamientos y mal funcionamiento.

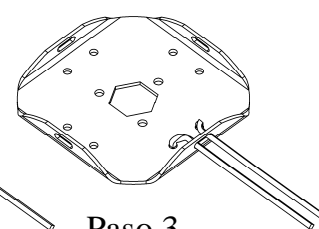
Usan una cuerda de 45,7 cm
Compre la línea pre cortada **P3618**



Paso 1



Paso 2



Paso 3

- Doble con holgura la línea cortadora a la mitad.
- Inserte la línea a través de los agujeros inferiores del disco (Paso 1).
- Llevar extremos alrededor ya través de la ranura en la brida de disco (Paso 2).
- Hale los extremos para apretar el lazo (Paso 3).

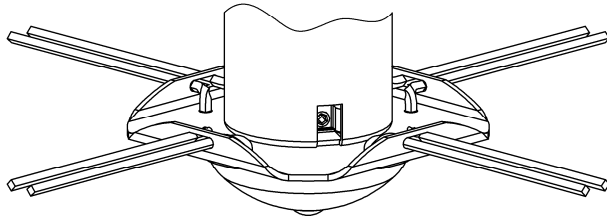
Posiciones del hilo de la bordeadora

Posiciones de ajuste del hilo de la bordeadora:

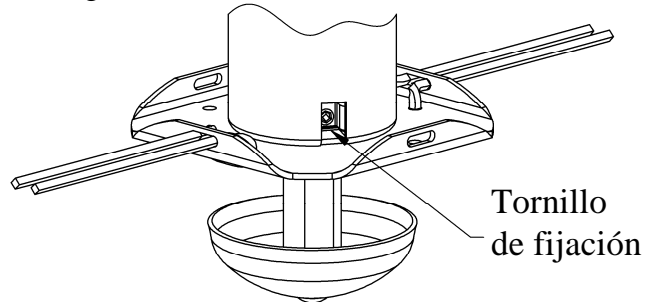
- La bordeadora cuenta con 4 puntos de ajuste del hilo.
- Para segar con la bordeadora, se recomienda utilizar la configuración con 4 hilos para obtener un corte más parejo y uniforme.
- Para recortar vegetación larga o densa, se recomienda utilizar la configuración con 2 hilos, para un mejor rendimiento.

Para ajustar la altura del corte:

1. Afloje el tornillo de fijación con la llave de cabeza hexagonal incluida.
2. Deslice el cabezal de corte hacia arriba o abajo, hasta la altura de corte deseada.
3. Apriete el tornillo de fijación.
4. Puede utilizarse cualquier altura de corte con cualquier configuración de hilos.



Configuración con 4 hilos
Se ilustra ajustada a una altura de corte baja



Configuración con 2 hilos
Se ilustra ajustada a una altura de corte alta

Operación

Importante: Para garantizar la correcta operación, limpie el motor y la bordeadora periódicamente. Retire los restos acumulados en la parte superior del motor. Durante la operación, los residuos pueden enroscarse en el cabezal de la bordeadora. El uso prolongado en este estado puede provocar un desgaste excesivo y daños en las piezas. Apague la bordeadora y retire los residuos periódicamente.

Para arrancar la bordeadora:

1. Retire los residuos acumulados en el motor y el cabezal de la bordeadora.
2. Lea y siga las instrucciones de arranque que figuran en el manual del motor.
3. Una vez que el motor arranque, deje el control del acelerador en la posición "FAST". El control del acelerador debe estar en la posición rápida para un máximo rendimiento.
4. Conecte el cabezal de corte.
5. Comience a recortar.

Para conectar/desconectar el cabezal de la bordeadora:

- Conexión: Jale el gancho de control hasta que haga contacto con la empuñadura superior y sujételo junto con la empuñadura. Si el cabezal de la bordeadora no se conecta completamente, consulte la sección de ajuste de la correa.
- Desconexión: Libere el gancho de control. El cabezal de la bordeadora debería detenerse en unos segundos. De lo contrario, consulte la sección de ajuste de la correa.

Para detener la bordeadora:

1. Libere el gancho de control.
2. Coloque la palanca de control del acelerador en la posición "SLOW" (Lento) durante unos segundos y, luego, colóquela en la posición "STOP" (Detención).

Importante: Para una operación más segura, verifique que los residuos no salgan despedidos en su dirección ni la de otras personas.

Solucion de problemas

- Si no se arranque el motor, quitar el filtro de aire para asegurarse que el filtro y el carburador estan limpios.

Consejos para podar

- No levante la cabeza recortadora cuando esté podando. Deje que la cabeza descansa levemente, tocando la tierra.
- Mantenga un ojo sobre la longitud de la línea recortadora. A medida que la línea se hace más corta también se hace menos efectiva para cortar y llevará más tiempo para podar adecuadamente. Cambie la línea cuando sea necesario. (Vea la instalación de la línea recortadora).
- No pode la grama húmeda.
- Tenga cuidado cuando recorte en pendientes.
- Use la longitud apropiada de la línea. El uso de una línea demasiado larga para la unidad, ocasionará atascamientos y mal funcionamiento.

Operación

La orilladora TrimMax está diseñada para usarse también como cortasetos y para desplazarse de izquierda a derecha para facilitar un recorte más preciso.

Recortes en bordes/segados

El disco recortador puede inclinarse de horizontal a vertical de forma tal que pueda usarse como un cortasetos. La cabeza también se puede inclinar levemente para recortar con precisión. Esto puede ser muy útil para hacer recortes en fundaciones sin dañar las paredes.

Para inclinar:

1. Pare la unidad.
2. Asegúrese de que la unidad esté en posición hacia delante y recta (Vea el funcionamiento con desplazamiento).
3. Afloje la palanca de seguridad de inclinación de la orilladora (En sentido horario).
4. Incline la cabeza a la posición deseada.
5. Apriete la palanca de seguridad de inclinación de la orilladora (En sentido anti horario).
6. Ajuste la pantalla inferior de la orilladora, para evitar que los fragmentos alcancen operador.

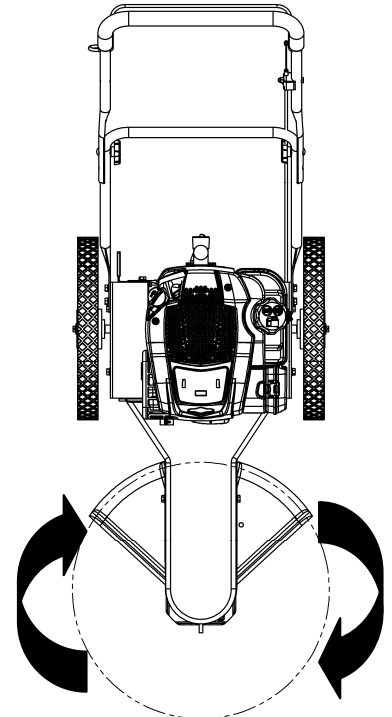
Recorte con desplazamiento:

La cabeza de la orilladora se puede desplazar hacia izquierda o derecha, para permitir recorte debajo de los arbustos, etc.

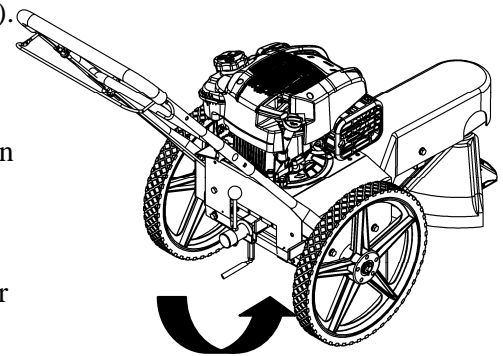
Para desplazar:

1. Pare la unidad.
2. Levante la palanca de desplazamiento.
3. Empuje o hale los mangos para obtener el desplazamiento deseado.
4. Libere la palanca de desplazamiento. Asegúrese de que la cabeza haya trabado en posición.
5. Ajuste la pantalla inferior de la orilladora para evitar que los fragmentos se regresen hacia el operador.

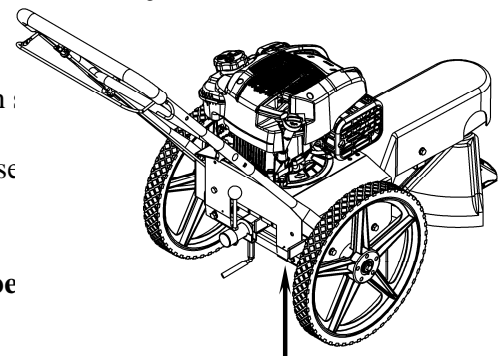
¡Importante! Observe la dirección de los fragmentos cuando desplace la cabeza. Se recomienda que el desplazamiento del recorte se haga hacia la izquierda.



Dirección de los desechos



Ajuste de la inclinación



Ajuste del eje

Mantenimiento de la orilladora

Asegúrese de que la orilladora esté en buenas condiciones de trabajo, teniendo en mente las siguientes indicaciones cada vez que use su orilladora.

- Mantenga la orilladora en buenas condiciones de funcionamiento y conserve todos los protectores y pantallas en su lugar. NO opere esta orilladora si falta alguna de las pantallas o protectores.
- Revise que todos los sujetadores estén adaptados para mantener el equipo en una disposición segura de trabajo. Haga los ajustes que sean necesarios.
- A fin de reducir los peligros de incendio, mantenga el motor libre de grama, hojas o de grasa excesiva.
- NO funcione la orilladora con un silenciador dañado o faltante.
- NO intervenga el sistema de escape; esto podría causar un peligroso incendio.
- NO funcione el motor si falta el purificador de aire o la cubierta colocada sobre la toma de aire del carburador. La remoción de estas piezas podría crear un incendio peligroso.
- Antes de limpiar, hacer ajustes o reparaciones a la orilladora, PARE el motor, desconecte el cable de la bujía y deje que el motor se enfríe.
- Manipule la gasolina con cuidado. NO fume o use gasolina cerca de llamas abiertas. Utilice sólo contenedores de gasolina aprobados.
- Nunca añada combustible o arranque la orilladora en áreas poco ventiladas, tales como garajes o edificios de servicios.
- Siempre vuelva a colocar la tapa al tanque de combustible. Asegúrese de limpiar cualquier gasolina derramada.
- No cambie los ajustes del gobernador del motor o le dé más velocidad al motor; se pueden originar lesiones o daños graves.
- Nunca almacene la orilladora, con gasolina en el tanque, dentro de un edificio donde los gases puedan alcanzar una llama abierta o chispas.
- Siempre permita que el motor se enfríe antes de almacenarlo.



NUNCA AÑADA GASOLINA A UN MOTOR CALIENTE – PERMITA QUE EL MOTOR SE ENFRÍE ANTES DE AÑADIRLE GASOLINA.



ADVERTENCIA - SIEMPRE PARE EL MOTOR Y DESCONECTE EL CABLE DE LA BUJÍA ANTES DE EFECTUAR CUALQUIER AJUSTE O SERVICIO.

Motor

- Consulte el manual de servicio del motor incluido con este producto.

Correas

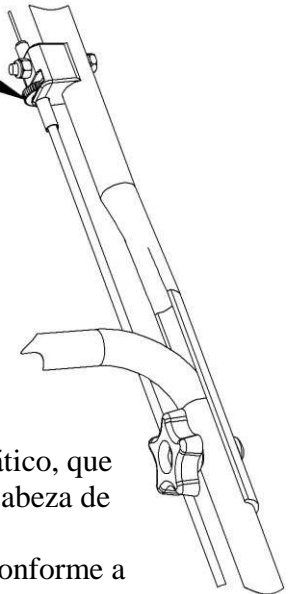
- Cada tanto, revise la correas para verificar que no presente desgaste. Si está desgastada, reemplácela.

Ajuste de la correa

Durante las primeras horas de operación, todas las correas atraviesan un período de “rodaje”, tras el cual muchas deben ajustarse conforme a las siguientes instrucciones. Algunas señales que indican que las correas deben ajustarse son las siguientes:

- Pérdida de potencia del cabezal de corte, que hace que el cabezal gire inusualmente lento o se detenga.
- Desgaste excesivo de la correa debido al deslizamiento.
- La correa entre la cabeza recortadora y la doble polea tensora tiene un tensor de correa automático, que se ajusta automáticamente cuando la cabeza se inclina. Si usted no inclina con regularidad la cabeza de la orilladora, se recomienda que afloje la cabeza dos veces en el año. (Vea el cortasetos)
- Las correa utilizadas para conectar/desconectar el cabezal de la bordeadora pueden ajustarse conforme a las siguientes instrucciones:
 1. Ubique la ruedecilla de ajuste del cable de control (consulte la ilustración).
 2. Libere el gancho de control para desconectar el cabezal de la bordeadora.
 3. Gire la ruedecilla unas vueltas en sentido antihorario (desde la posición de operación normal).
 4. Vuelva a conectar el cabezal de la bordeadora.
 5. Si el cabezal de la bordeadora no funciona normalmente, repita los pasos 2 a 4.

Ruedecilla



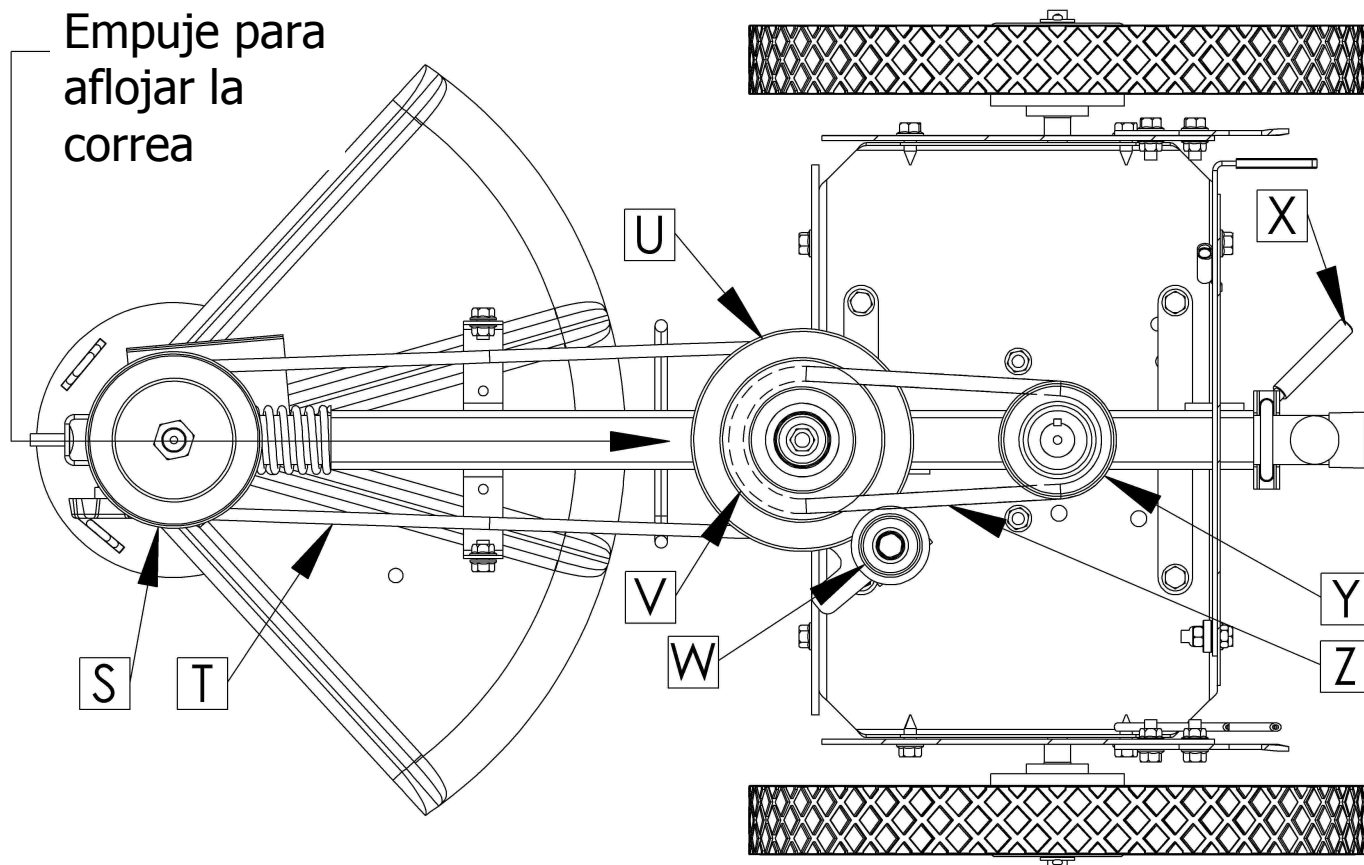
Importante: No apriete excesivamente la ruedecilla de ajuste del cable. Puede provocar la rotura del cable. NO debería necesitarse fuerza excesiva para accionar completamente el gancho de control.

Reemplazo de la correa de accionamiento del cabezal **Z**

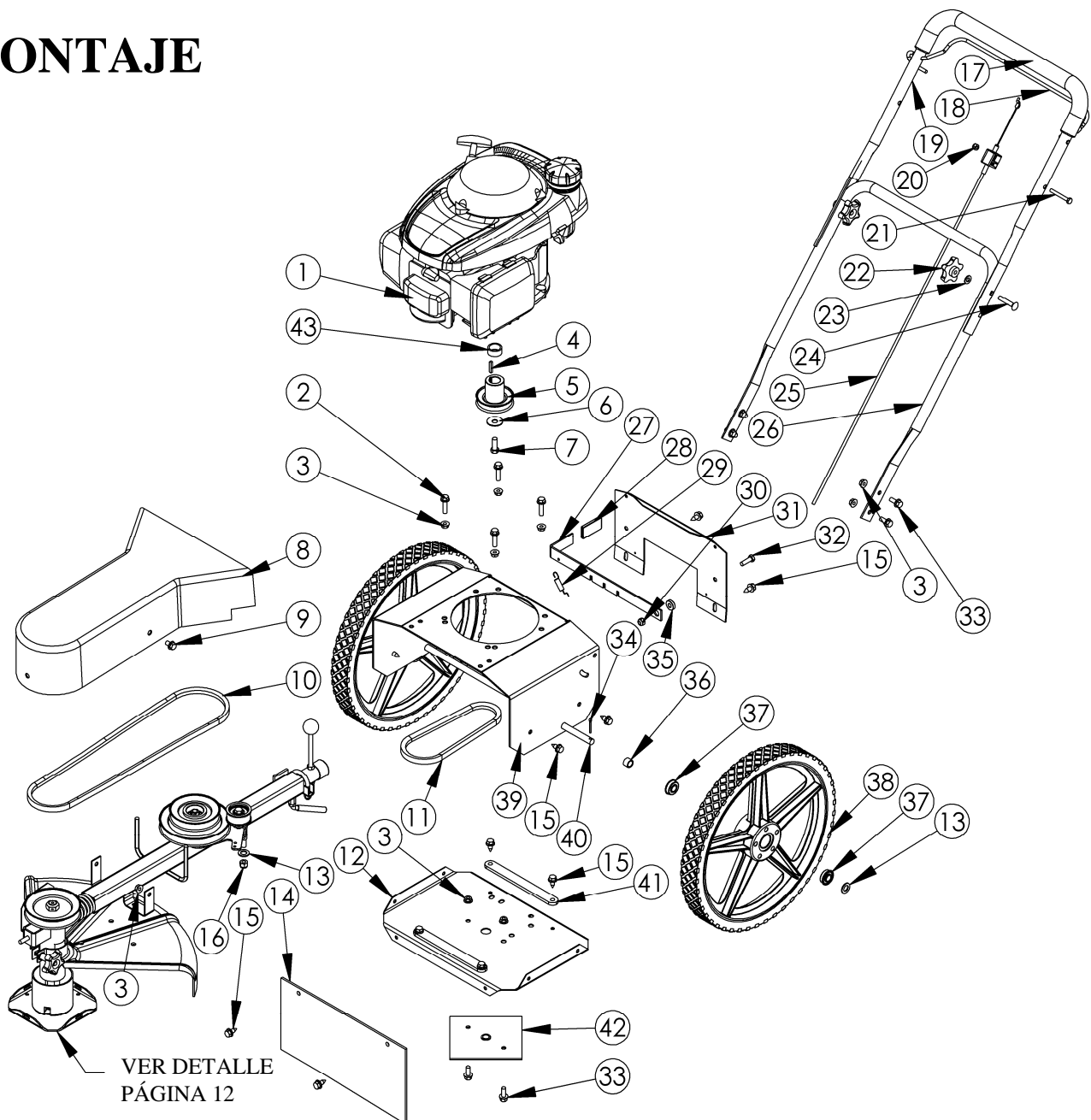
1. Retire la cubierta de la correa delantera.
2. Retire la correa desgastada.
3. Instale la nueva correa pasándola primero por debajo del motor y alrededor de la polea del motor **Y**.
4. Luego, pase la correa alrededor de la polea de transferencia de energía superior **V**.
5. Asegúrese de que la polea loca **W** quede fuera de la correa, como se ilustra.
6. Asegúrese de que la correa esté bien instalada en la ranura de cada polea.
7. Vuelva a colocar la cubierta de la correa delantera.
8. En caso de haberse ajustado previamente la tensión de la correa, restablezca la ruedecilla de ajuste girándola en sentido horario hasta donde lo permita (consulte la ilustración de las instrucciones de ajuste de la correa). Si el cabezal no se conecta correctamente, consulte las instrucciones de ajuste de la correa.

Reemplazo de la correa de transferencia de energía **T**

1. Retire la cubierta de la correa delantera.
2. Retire la correa de accionamiento del cabezal **Z**.
3. Afloje la empuñadura de inclinación **X**.
4. Empuje el cabezal de la bordeadora hacia la parte posterior de la unidad, comprimiendo el resorte de tensión.
5. Retire la correa desgastada.
6. Instale la correa nueva pasándola primero alrededor de la polea de transferencia de energía inferior **U**.
7. Luego, pase la correa alrededor de la polea delantera **S**. **PRECAUCIÓN. Peligro de pellizco:** Asegúrese de que ninguna parte de su cuerpo quede entre la correa y las poleas, ya que se pueden provocar lesiones.
8. Libere el cabezal de la bordeadora y apriete la empuñadura de inclinación como se indica en las instrucciones de operación.
9. Vuelva a colocar la correa de accionamiento del cabezal conforme a las instrucciones anteriores.
10. Vuelva a colocar la cubierta de la correa delantera.
11. Si el cabezal no se conecta correctamente, consulte las instrucciones de ajuste de la correa.



MONTAJE



N.º del elemento	N.º de pieza	Descripción
1	N/D	Motor Honda GCV160
2	NB253	Perno - Acanalado, 5/16-18 X1 1/4ZY
3	NB170	Tuerca - Acanalada 5/16-18
4	9030	Chaveta - 3/16 X 1
5	19117	Polea - Motor
6	699	Arandela - Belleville 7/16 X 1 1/4
7	NB238N	Perno - HHC 3/8-24 X 1
8	2119	Protector - Correa
9	NB252	Perno - Acanalado, 5/16-18 X 1/2 ZY
10	19074	Correa - 45 in, bordeadora de lujo
11	19053	Correa - 24 in, bordeadora
12	2006*	Base - Motor inferior
13	NB177	Arandela - Torneada 1/2
14	19004	Protección - Caucho
15	26X249	Tornillo - 0.312-18 X 0.75
16	NB182	Tuerca - Nyloc 3/8-16 ZY
17	19561	Empuñadura
18	19005	Gancho - Bordeadora
19	10578*	Empuñadura - Superior
20	NB180	Tuerca - Nyloc 1/4-20
21	NB218	Perno - 1/4-20 X 2 HCC GR5 ZY

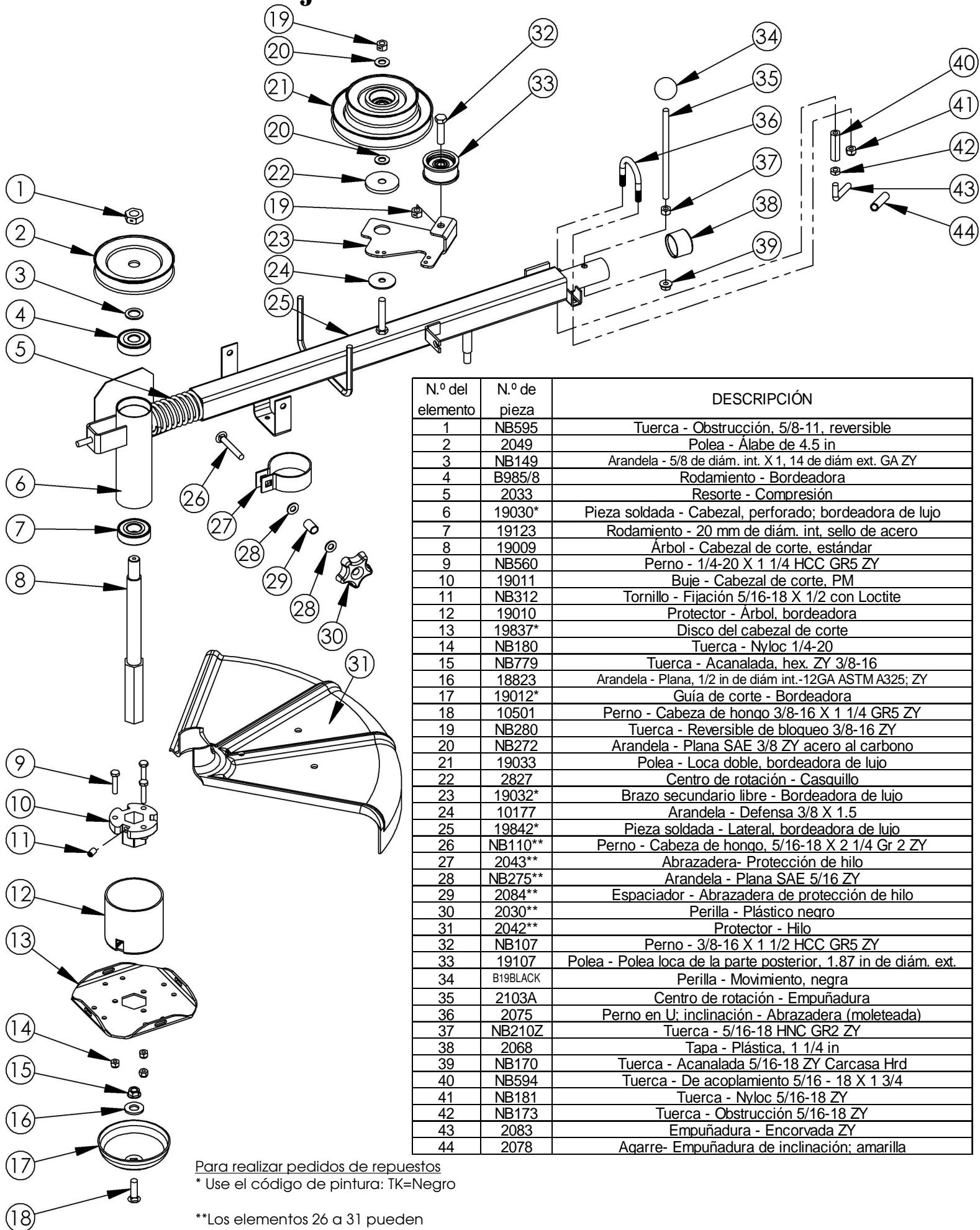
N.º del elemento	N.º de pieza	Descripción
22	2030	Perilla - Plástico negro
23	NB275	Arandela - Plana SAE 5/16
24	NB587	Perno - Cabeza de hongo 5/16-18 X 1 3/4
25	19006	Cable - Control, bordeadora
26	10399*	Empuñadura - Inferior
27	2040*	Tope - Centro de rotación
28	2077	Centro de rotación - Agarre
29	2069	Resorte - Bordeadora de lujo
30	NB181	Tuerca - Nyloc 5/16-18 ZY
31	19059*	Cubierta - Posterior, bordeadora de lujo
32	NB501	Perno - 5/16-18 X 1
33	NB596	Perno - Acanalado 5/16-18 X 3/4
34	NB126	Pasador- De aletas, 1/8 X 1
35	B99S	Espaciador
36	690369	Separador - 1/2 in a 17 mm
37	MWB	Rodamiento - Rueda, 1 1/8 in de diám. ext. X 1/2 in de diám. int.
38	2003K**	Rueda - 16 in, rodamientos ID de 1/2 in; Blk
39	19058*	Base del motor - Superior, bordeadora de lujo
40	14416	Eje - Bordeadora; YZ
41	2116	Fleje - Desgaste
42	2073*	Placa - Pieza soldada de centro de rotación
43	20883	Espaciador - 1.125 X .120 Wall X .500

Para realizar pedidos de repuestos

* USE EL CÓDIGO DE PINTURA: TK=NEGRO

** Las ruedas incluyen dos rodamientos. Utilice el número de pieza MWB para reemplazar solo los rodamientos.

Montaje del cabezal de la bordeadora



N.º del elemento	N.º de pieza	DESCRIPCIÓN
1	NB595	Tuerca - Obstrucción, 5/8-11, reversible
2	2049	Polea - Álabes de 4.5 in
3	NB149	Arandela - 5/8 de diám. int. X 1, 14 de diám ext. GA ZY
4	B985/8	Rodamiento - Bordeadora
5	2033	Resorte - Compresión
6	19030*	Pieza soldada - Cabezal, perforado; bordeadora de lujo
7	19123	Rodamiento - 20 mm de diám. int. sello de acero
8	19009	Árbol - Cabezal de corte, estándar
9	NB560	Perno - 1/4-20 X 1 1/4 HCC GR5 ZY
10	19011	Buje - Cabezal de corte, PM
11	NB312	Tornillo - Fijación 5/16-18 X 1/2 con Loctite
12	19010	Protector - Árbol, bordeadora
13	19837*	Disco del cabezal de corte
14	NB180	Tuerca - Nyloc 1/4-20
15	NB779	Tuerca - Acanalada, hex. ZY 3/8-16
16	18823	Arandela - Plana, 1/2 in de diám int.-12GA ASTM A325; ZY
17	19012*	Guía de corte - Bordeadora
18	10501	Perno - Cabeza de hongo 3/8-16 X 1 1/4 GR5 ZY
19	NB280	Tuerca - Reversible de bloqueo 3/8-16 ZY
20	NB272	Arandela - Plana SAE 3/8 ZY acero al carbono
21	19033	Polea - Loca doble, bordeadora de lujo
22	2827	Centro de rotación - Casquillo
23	19032*	Brazo secundario libre - Bordeadora de lujo
24	10177	Arandela - Defensa 3/8 X 1.5
25	19842*	Pieza soldada - Lateral, bordeadora de lujo
26	NB110**	Perno - Cabeza de hongo, 5/16-18 X 2 1/4 Gr 2 ZY
27	2043**	Abrazadera- Protección de hilo
28	NB275**	Arandela - Plana SAE 5/16 ZY
29	2084**	Espaciador - Abrazadera de protección de hilo
30	2030**	Perilla - Plástico negro
31	2042**	Protector - Hilo
32	NB107	Perno - 3/8-16 X 1 1/2 HCC GR5 ZY
33	19107	Polea - Polea loca de la parte posterior, 1.87 in de diám. ext.
34	B19BLACK	Perilla - Movimiento, negra
35	2103A	Centro de rotación - Empuñadura
36	2075	Perno en U; inclinación - Abrazadera (moletada)
37	NB210Z	Tuerca - 5/16-18 HNC GR2 ZY
38	2068	Tapa - Plástica, 1 1/4 in
39	NB170	Tuerca - Acanalada 5/16-18 ZY Carcasa Hrd
40	NB594	Tuerca - De acoplamiento 5/16 - 18 X 1 3/4
41	NB181	Tuerca - Nyloc 5/16-18 ZY
42	NB173	Tuerca - Obstrucción 5/16-18 ZY
43	2083	Empuñadura - Encorvada ZY
44	2078	Aqarre- Empuñadura de inclinación; amarilla

Para realizar pedidos de repuestos
* Use el código de pintura: TK=Negro

**Los elementos 26 a 31 pueden
adquirirse juntos solicitando la pieza
número 2076.

MANUAL DEL PROPIETARIO

NÚMERO DEL MODELO

STD4422HO

Cada orilladora tiene su propio número de modelo. Cada motor tiene su propio número de modelo. El número de modelo de la orilladora se encuentra en el lado izquierdo de la base del motor. El número de modelo del motor se encuentra en la parte superior de la caja del ventilador soplador.

Todas las piezas de la orilladora listadas aquí se pueden ordenar directamente a Swisher o al distribuidor Swisher más cercano.

Todas las piezas del motor suministrado con su podadora se pueden ordenar al distribuidor del motor más cercano.

CUANDO ORDENE LAS PIEZAS, POR FAVOR
TENGA DISPONIBLE LA SIGUIENTE INFORMACIÓN:

- * PRODUCTO-ORILLADORA
- * NÚMERO DE SERIE- _____
- * NÚMERO DEL MODELO- _____
- * NÚMERO DE MODELO DEL MOTOR- _____
TIPO - _____
- * NÚMERO DE LA PIEZA CON CÓDIGO DE LA PINTURA
- * DESCRPCIÓN DE LA PIEZA

TELÉFONO - 1-800-222-8183

FAX - 1-660-747-8650

SWISHER ACQUISITION INC.

1602 CORPORATE DRIVE

WARRENSBURG, MO 64093

SWISHER®

Modificando su paisaje desde 1945.

SWISHER®

Trim-Max

MANUEL DU PROPRIÉTAIRE

Numéro de modèle

A partir du no de série L216-335001

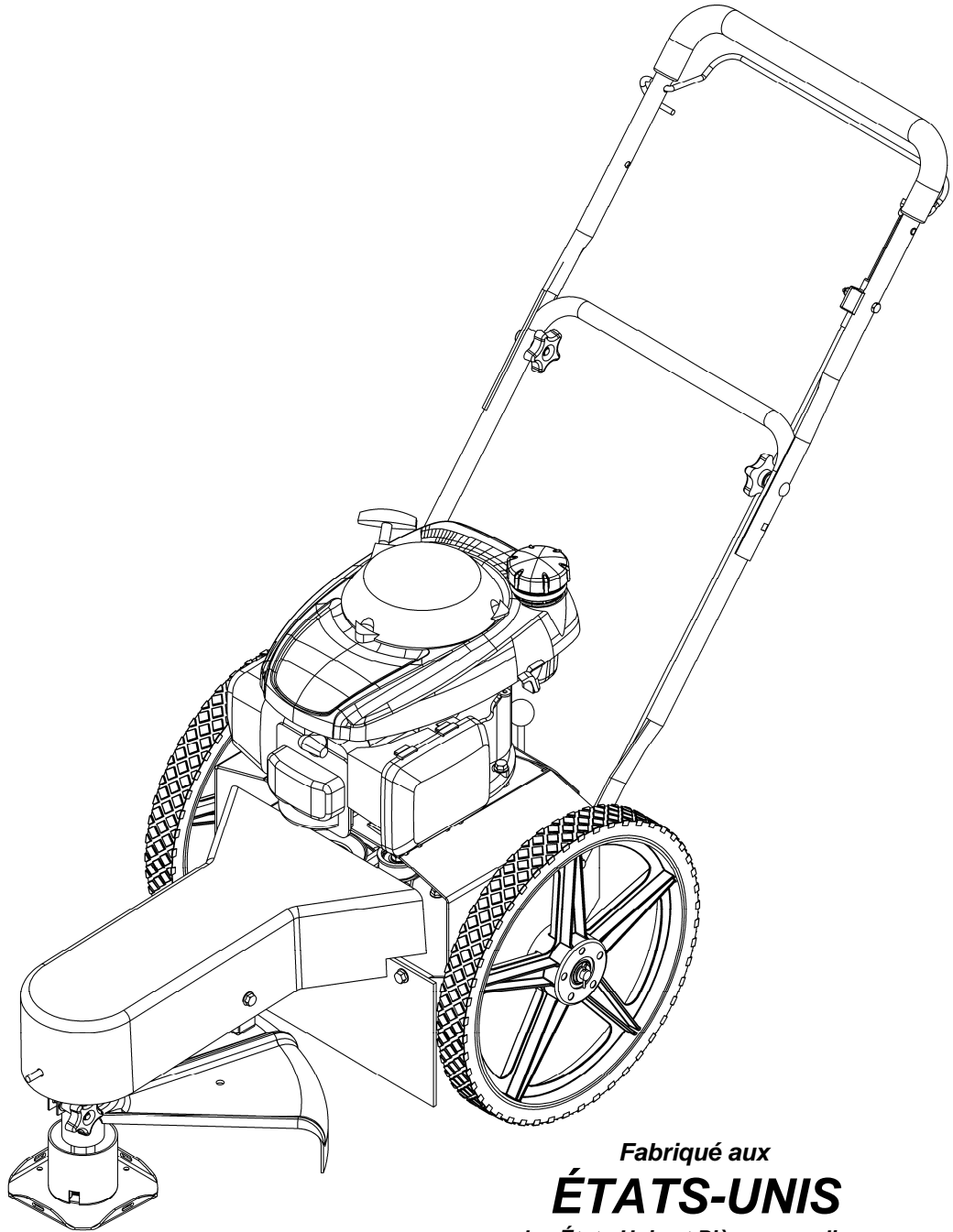
STD4422HO



IMPORTANT

Avant de mettre en marche
cet équipement, lire le
présent manuel et suivre
toutes les directives de
sécurité indiquées.

- ❖ Assemblage
- ❖ Utilisation
- ❖ Réglage et entretien
- ❖ Pièces de rechange



Fabriqué aux
ÉTATS-UNIS
des États-Unis et Pièces mondiaux

SWISHER ACQUISITION INC.
1602 CORPORATE DRIVE, WARRENSBURG MISSOURI 64093
TÉLÉPHONE 660-747-8183 TÉLÉCOPIEUR 660-747-8650

GARANTIE LIMITÉE

Garantie du fabricant au consommateur acheteur original : Ce produit est garanti au consommateur acheteur d'origine contre toute défectuosité de matériel et de main d'œuvre sur une période de deux (2) ans de la date d'achat. Nous réparerons ou remplacerons, selon notre décision, les pièces trouvées défectueuses pour cause de défaut de matériel ou de main-d'œuvre. La présente garantie est sujette aux limites et exclusions suivantes :

- 1) Garantie du moteur Tous les moteurs utilisés dans nos produits sont couverts par une garantie séparée attribuée par leurs fabricants individuels. Tout problème à ce niveau est la responsabilité du fabricant et d'aucune façon Swisher ou ses agents représentants ne pourront être tenus responsables des problèmes sous garantie des moteurs. Ligne d'assistance pour moteurs Briggs & Stratton : 1-800-233-3723.

- 2) Usage commercial Cet équipement n'est pas prévu pour usage commercial et n'est couvert d'aucune garantie dans ce cas.

- 3) Limites La présente garantie s'applique seulement aux équipements adéquatement assemblés, réglés et utilisés selon les directives comprises dans le présent manuel. La présente garantie ne s'applique à aucun équipement qui a été assujetti à toute modification, mauvaise utilisation, abus, assemblage ou installation inadéquat, endommagement de transit ou à l'usure normale du produit.

- 4) Exclusions Sont exclus de la présente garantie, l'usure, les réglages et l'entretien normaux.

Pour toute réclamation de garantie, l'équipement ou la pièce défectueuse devra être retourné à un concessionnaire de service autorisé. Toute responsabilité de perte dommages et frais d'expédition relatifs aux retours pour réparation ou remplacements sous garantie demeureront à la charge du propriétaire. Pour toute question relative à la présente garantie, veuillez communiquer avec nous au numéro sans frais 1-800-222-8183. Pour pouvoir appliquer la garantie, les numéros de modèle et de série, la date d'achat et le nom du dépositaire Swisher autorisé duquel l'équipement a été acheté seront requis.

LA PRÉSENTE GARANTIE NE S'APPLIQUE À AUCUN DOMMAGE D'INCIDENCE OU DE CONSÉQUENCE ET TOUTE GARANTIE DE MARCHANDISAGE IMPLICITE SERA LIMITÉE À LA MÊME DURÉE QUE CELLE INDIQUÉE AUX PRÉSENTES, ET CE POUR TOUTE GARANTIE EXPRIMÉE DE FAÇON EXPRESSE. Certains États ou provinces ne permettent pas d'exception des dommages de conséquence ou de limite à la période de validité des garanties implicites, alors les limites et exclusions ci-dessus peuvent ne pas s'appliquer dans votre cas. La présente garantie vous donne des droits particuliers et il se peut que vous ayez d'autres droits qui varient d'un État ou d'une province à l'autre. La présente est une garantie limitée tel que défini par la loi américaine Magnuson-Moss de 1975.

Directives de sécurité



Ce symbole d'alerte de sécurité indique d'importants messages tout au long du présent manuel. Lorsque rencontré, lisez attentivement le message indiqué et demeurez sur vos gardes pour éviter toute blessure possible.

- Avant de la mise en marche, lire et assimiler et suivre toutes les directives du présent manuel et des décalques sur le coupe-bordure
- Lire attentivement le présent manuel. Familiarisez-vous avec les commandes et de la façon de faire fonctionner adéquatement la machine.
- N'autorisez que des adultes responsables familiers avec les directives d'opération de l'unité.
- Dégagez l'aire de travail de tout objet qui pourrait être projeté par la machine tel les cailloux, débris, jouets, etc.
- Avant de démarrer la machine, assurez-vous qu'il ne se trouve personne dans la zone de travail et si quelqu'un s'y approche, arrêtez le coupe-bordure.
- Soyez conscient de la direction de décharge du coupe-bordure et ne la dirigez en direction de toute personne dans les environs. Ne pas diriger la décharge vers des objets pouvant se briser comme les fenêtres, etc.
- Ne jamais faire fonctionner le coupe-bordure sans que tous ses écrans et gardes protecteurs soient en place.
- Ne jamais laisser la machine en marche sans surveillance.
- Ne travailler que sous un bon éclairage naturel ou artificiel.
- Ne pas consommer d'alcool ou de substances hallucinogènes pour prévenir tout accident avec la machine.
- Lors de travail près de la chaussée, prendre garde aux véhicules en circulation.
- Ne se servir du coupe-bordure qu'aux fins prévues par le fabricant tel que décrit au présent manuel.
- Ne pas faire fonctionner le coupe-bordure s'il est endommagé de toute façon que ce soit. Faites toujours réparer les dommages avant de vous en servir.
- Portez toujours des lunettes de sécurité ou autre écran oculaire lors de l'utilisation du coupe-bordure.
- Portez des vêtements appropriés. Ne pas travailler pieds nus ou en sandales. Portez toujours des souliers fermés et procurant une bonne emprise au sol. Portez un vêtement à manche longues et pantalons longs. Ne pas travailler en culottes courtes.
- Gardez votre concentration et votre regard sur la zone de travail.
- Ne vous laissez pas distraire par d'autres sources d'intérêt en travaillant.
- Ne jamais approcher ses mains ou pieds autour des pièces rotatives.
- Avant d'inspecter, nettoyer ou réparer votre coupe-bordure, arrêter le moteur et déconnecter le fil de la bougie et éloignez-le de la bougie pour prévenir tout démarrage par inadvertance.
- Ne vous servez pas du coupe-bordure s'il vibre de façon exagérée. Ceci serait l'indication d'une pièce endommagée. Arrêtez le moteur et, en prenant les précautions requises, vérifiez le matériel et effectuez la réparation requise.
- Ne pas utiliser le coupe-bordure sur du gazon mouillé, là où vous pourriez glisser. Ne jamais courir, travaillez à un pas normal
- Arrêtez le coupe-bordures pour traverser les entrées gravelées.

Utilisation sur des pentes



Les pentes sont le facteur principal de perte de contrôle et d'accidents de chute pouvant conduire à des blessures graves. Toute pente appelle à plus de prudence. Si vous doutez de votre stabilité sur une pente abrupte, ne vous aventurez pas sur celle-ci.

- RECOMMANDATION : évoluer d'un côté à l'autre de la pente et non de haut en bas.
- RECOMMANDATION : retirer les objets tel que cailloux, branches d'arbres, etc. avant de commencer.
- RECOMMANDATION : prendre garde aux dépressions, monticules ou décompositions organiques. Les hautes herbes peuvent cacher des obstacles.
- CONTRE-INDICATION : travailler près des fossés, remblais ou précipices ou autres zones à fort risque de perdre pied ou l'équilibre.
- CONTRE-INDICATION : travailler sur des pentes abruptes
- CONTRE-INDICATION : travailler sur du gazon mouillé pour cause de danger de glisser.

Enfants

- Gardez les enfants hors de la zone de travail et sous la surveillance d'un autre adulte responsable.
- Demeurez alerte et arrêtez la machine si des enfants s'introduisent dans la zone de travail.
- Avant de reculer et lorsque vous y procédez, regardez vers le sol derrière vous au cas d'approche de petits enfants.
- Ne jamais laisser d'enfants faire fonctionner cette machine.
- Redoublez de prudence à l'approche d'aires hors de vue tel les coins de mur, derrière les broussailles ou les arbres ou autre objets obstruant la vue.

Entretien

- Redoublez de prudence lors de l'utilisation d'essence ou autres carburants. Ceux-ci sont inflammables et leurs émanations sont explosives.
- Ne les conservez que dans des contenants approuvés pour le carburant.
- Ne jamais retirer le bouchon du réservoir d'essence lorsque le moteur est en marche.
- Laissez refroidir le moteur avant de faire le plein d'essence. Ne pas fumer en faisant le plein d'essence.
- Ne jamais faire le plein d'essence de la machine à l'intérieur.
- Ne jamais entreposer la machine ou un contenant d'essence près d'une flamme ou source d'étincelles (chauffe-eau au gaz, outils électriques ou autres).
- Ne jamais faire fonctionner la machine dans un lieu clos.
- Gardez tous les écrous et boulons serrés et l'équipement en bon état.
- Ne jamais désaffecter les dispositifs de sécurité.
- Gardez la machine libre de toute accumulation de gazon, de feuilles ou d'autres débris. Nettoyez les déversements d'essence et d'huile. - Laissez refroidir le moteur avant de faire le plein d'essence.
- Si vous frappez un obstacle, arrêtez et inspectez la machine. Faites les réparations nécessaires avant de redémarrer.
- Ne jamais faire de réglage ou réparation lorsque le moteur est en marche.



La lame rotative de toute tondeuse peut venir en contact avec des objets étrangers pouvant être projetés dans les yeux causant de graves blessures. Avant de démarrer et durant le fonctionnement de toute machine de tonte, portez toujours des lunettes de sécurité ou coquilles par dessus vos verres de prescription qui sont homologuées pour protéger tous les angles d'arrivée de particules.



Le fonctionnement de toute tondeuse produit une pression sonore dommageable à l'ouïe humaine. Protection auditive recommandée.



MISE EN GARDE!

Un accident tragique peut se produire si l'opérateur n'est pas alerte en présence d'enfants. Les machines et les activités engendrées sont souvent une source d'intérêt pour les enfants. *N'assumez jamais que les enfants demeureront où vous les avez vus la minute précédente.*



Ne vous servez pas du coupe-bordure s'il vibre de façon exagérée. Ceci serait l'indication d'une pièce endommagée. Arrêtez le moteur et, en prenant les précautions nécessaires, vérifiez les dommages et effectuez les réparations requises.

CAUTION	IMPORTANT
ADJUST STRING SHIELD TO KEEP DEBRIS FROM COMING BACK TOWARD OPERATOR.	DO NOT CHANGE HEAD POSITION WHILE RUNNING

Décalque d'avis de mise en garde
OD67

TRIMMER HEAD	
TILT	OFFSET

Tête du coupe-bordure
Décalque de marche à
suivre
OD68



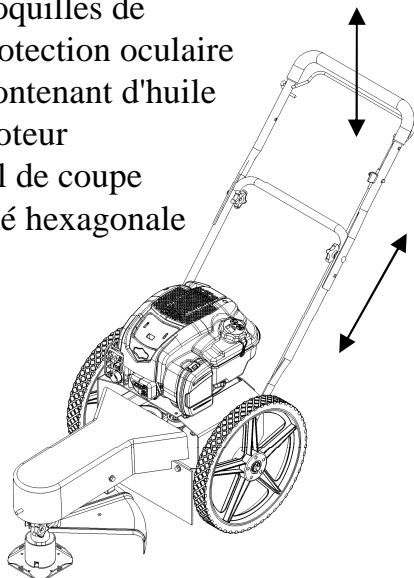
	WARNING AVERTISSEMENT
AVOID SERIOUS INJURY OR DEATH PRÉVENIR LES BLESSURES GRAVES OU MORTELLES	
<ul style="list-style-type: none"> • DO NOT OPERATE WHEN CHILDREN OR OTHERS ARE AROUND. REMOVE OBJECTS THAT COULD BE THROWN BY THE CUTTING LINES. • WEAR SAFETY APPROVED EYE PROTECTION WHEN OPERATING. • DO NOT SERVICE OR ADJUST CUTTING HEAD OR OTHER MOVING PARTS UNLESS ENGINE IS STOPPED AND SPARK PLUG WIRE IS DISCONNECTED. • KEEP SAFETY DEVICES, SUCH AS GUARDS AND DEFLECTORS, IN PLACE AND OPERATING. • GO ACROSS SLOPES NOT UP AND DOWN. • LOOK DOWN AND BEHIND BEFORE AND WHILE MOVING BACKWARDS. • READ AND FOLLOW OWNER'S MANUAL. 	
<ul style="list-style-type: none"> • Ne pas utiliser si des enfants ou des tiers se trouvent aux alentours. Enlever tout objet qui pourrait être projeté par les lignes de coupe. • Porter des lunettes de sécurité homologuées lors de l'utilisation. • Ne procéder à l'entretien de la tête de coupe ou de pièces en mouvement et ne les ajuster que si le moteur est arrêté et que le fil de bougie est déconnecté. • Conserver en place et en bon état de fonctionnement les dispositifs de sécurité tels que les protections et les déflecteurs. • Conduire en travers des pentes et non de haut en bas. • Regarder vers le bas et vers l'arrière avant et pendant le recul. • Lire le manuel du propriétaire et en respecter les instructions. 	
OD64	

Décalque Trim-Max
OD64

Assemblage

Contenu de la boîte:

- Coupe-bordure
- Sac de pièces comprenant:
 - Manuel
 - Manuel du moteur
 - Coquilles de protection oculaire
 - Contenant d'huile moteur
 - Fil de coupe
 - Clé hexagonale



Réglage de la poignée

Outils requis:

- Clé ½ po (13 mm)

Installation de la poignée:

1. Retirez les attaches lâches de la partie inférieure de la poignée.
2. Faites pivoter la poignée vers le haut et alignez son trou inférieur au trou du bâti du coupe-bordure. Réinstallez la quincaillerie retirée à l'étape précédente. Seulement serrer les boulons légèrement à la main.
3. Faites pivoter la poignée vers le haut et alignez son trou inférieur au trou du bâti du coupe-bordure. Réinstallez la quincaillerie retirée à l'étape précédente.
4. Réglez la position de la poignée pour travailler confortablement.
5. Serrez tous les boulons.

Pour un positionnement ergonomique, l'angle et la longueur de la poignée sont réglables.

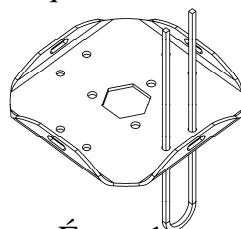
Préparation pour la première utilisation

- Remplissez le carter du moteur d'huile. Un 20oz. contenant d'huile est fourni avec cette machine. Une nouvelle unité nécessite 18-20oz. **NE PAS EXCÉDER LE NIVEAU REQUIS.**
- Remplissez le réservoir à essence. **LE REMPLISSAGE DOIT ÊTRE FAIT À L'EXTÉRIEUR OU DANS UN ENDROIT BIEN AÉRÉ.**
- Confirmez que l'installation du fil est conforme au schéma apposé juste au-dessus la tête de coupe.
- Reportez-vous au manuel du fabricant de moteur pour les spécifications d'huile et de carburant.

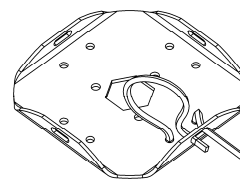
Installation du fil de coupe

Important! Gardez le fil à une longueur adéquate. Un fil trop long causera un fonctionnement erratique et le calage du moteur.

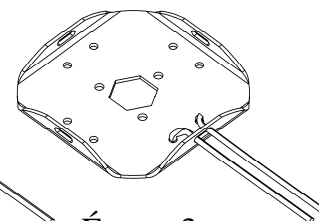
Utilisez un fil de 46 cm (18 po)
N° de pièce de fil pré-dimensionné **P3618**



Étape 1



Étape 2



Étape 3

- Repliez le fil de coupe en deux de façon lâche.
- Insérez ligne à travers les trous inférieurs du disque (Étape 1).
- Ramener les extrémités autour et à travers la fente dans la bride de disque (Étape 2).
- Tirez les bouts pour serrer le fil (Étape 3).

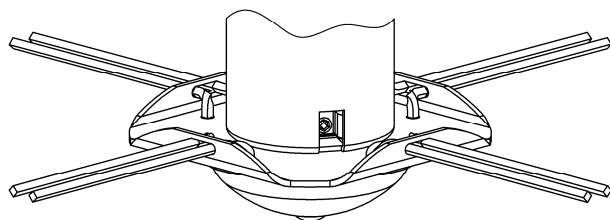
Positions des fils du taille-bordure

Positions des fixations des fils du taille-bordure :

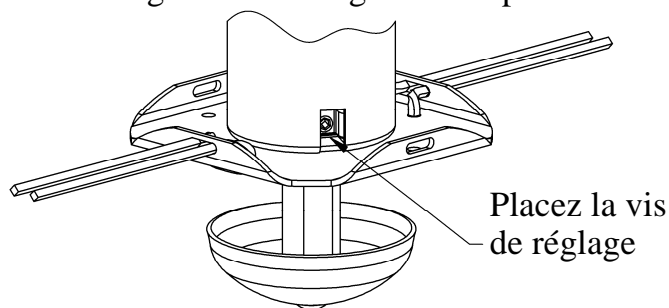
- Le taille-bordure est équipé de 4 points de fixation des fils.
- En coupant avec le taille-bordure, la configuration à 4 lignes de coupe est recommandée pour une coupe plus cohérente et régulière.
- Lorsque vous coupez une végétation haute ou épaisse, la configuration à 2 lignes de coupe est recommandée pour des performances améliorées.

Pour ajuster la hauteur de coupe :

1. Desserrez la vis de réglage à l'aide de la clé hexagonale fournie.
2. Faites glisser la tête de coupe vers le haut ou vers le bas selon la hauteur de coupe désirée.
3. Serrez la vis de réglage.
4. Toute hauteur de coupe est activable avec une des configurations de ligne de coupe.



Configuration de coupe à 4 lignes
Ensemble montré à une hauteur
de coupe peu élevés



Configuration de coupe à 2 lignes
Ensemble montré à une hauteur de
coupe élevée

Fonctionnement

Important ! Pour assurer un bon fonctionnement, nettoyez régulièrement le moteur et le taille-bordure. Retirez toute accumulation de paille du haut du moteur. Au cours de l'opération, des débris peuvent venir s'enrouler autour de la tête de coupe. Une utilisation prolongée dans cet état peut entraîner une usure excessive et des défaillances de la pièce. Périodiquement, éteignez le taille-bordure et retirez les débris.

Pour démarrer le taille-bordure :

1. Retirez tout débris accumulés du moteur et de la tête de coupe.
2. Lisez et suivez les instructions de démarrage figurant dans votre manuel du moteur.
3. Saisissez fermement la poignée de corde et tirez lentement jusqu'à ce qu'une résistance se fasse sentir. [X] Puis tirez rapidement de tout le bras.
4. Lorsque le moteur démarre, laissez manette sur « FAST ». La commande des gaz doit être définie en position rapide pour des performances maximales.
5. Engagez la tête de coupe.
6. Commencez la coupe.

Engager/dégager la tête de coupe :

- Engager : Amenez l'étrier de contrôle en contact avec la poignée supérieure et saisissez-le en même temps que la poignée. Si la tête de coupe ne s'engage pas complètement, reportez-vous à la section Réglage de la courroie.
- Désengager : Relâchez l'étrier de contrôle. La tête de coupe doit s'arrêter en quelques secondes. Si la tête de coupe ne se désengage pas complètement, reportez-vous à la section Réglage de la courroie.

Pour arrêter le taille-bordure :

1. Relâchez l'étrier de contrôle.
2. Placez le levier de commande de gaz sur le moteur à « SLOW » (lent) pendant quelques secondes, puis passer à « STOP » (arrêt).

Important ! Pour un fonctionnement sûr, assurez-vous que les débris sont dirigés loin de vous et des autres.

Dépannage

- **Si le moteur ne démarre pas, retirez le filtre à air pour inspection et vous assurer qu'il est propre, ainsi que carburateur**

Conseils pour coupe-bordure

- Ne pas soulever la tête du coupe-bordure lors du travail. Laissez-la reposer légèrement contre le sol.
- Gardez un œil sur la longueur du fil de coupe. Lorsque celui-ci devient plus court son efficacité est réduite et il sera plus long de faire une bonne coupe. Au besoin, replacer le fil à une bonne longueur (se référer à Installation du fil de coupe).
- Ne pas utiliser sur gazon mouillé.
- Pour le travail en pente, redoublez de prudence.
- Gardez le fil à une longueur adéquate. Un fil trop long causera une coupe inégale et le calage du moteur.

Fonctionnement

Le coupe-bordure Trim-Max peut aussi servir de taille bordure et sa tête peut être décentrée sur la gauche ou sur la droite pour un travail plus précis.

Coupe de périphérie en biseau

Le disque du coupe-bordure peut être incliné pour servir à la finition de périmètre. La tête au complet s'incline aussi légèrement pour un plus grand rapprochement des murs. Ceci peut être pratique pour couper le gazon près de la fondation sans endommager le bardage de parement.

Pour incliner :

1. Arrêter la machine.
2. S'assurer que la tête est en position avant (voir fonctionnement en position décentrée).
3. Desserrer le levier de la serre d'inclinaison du coupe-bordure (sens horaire).
4. Incliner la tête à l'angle désiré.
5. Desserrer le levier de la serre d'inclinaison du coupe-bordure (sens antihoraire).
6. Régler l'écran de coupe basse pour prévenir la projection de débris vers l'opérateur.

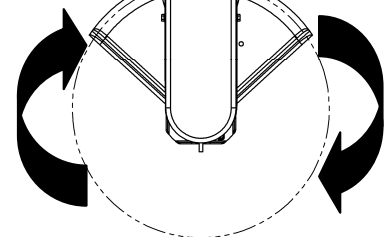
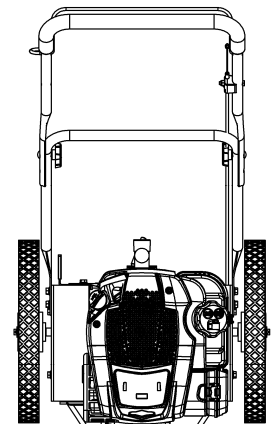
Coupe en mode décentré

La tête du coupe-bordure peut être décentrée sur la gauche ou sur la droite pour permettre de rejoindre l'herbe sous les buissons ou les recoins.

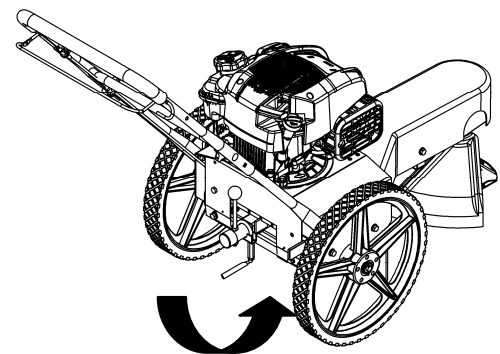
Pour décentrer :

1. Arrêter la machine.
2. Soulever le levier de dé-centrage.
3. Tirer ou repousser les poignées pour obtenir le décentrage désiré.
4. Relâcher le levier de dé-centrage. S'assurer que la tête s'est bien verrouillée en position.
5. Régler l'écran de coupe basse pour prévenir la projection de débris vers l'opérateur.

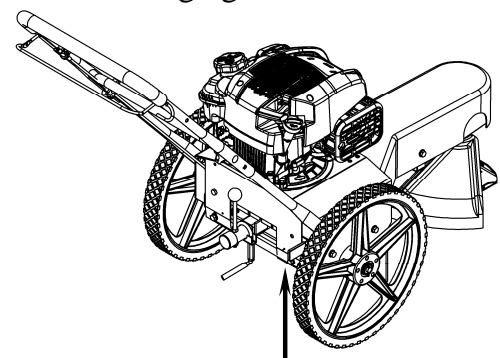
Important! Lors du décentrage, notez la direction d'éjection des débris. Il est recommandé de décentrer la tête du coupe-bordure sur la gauche.



Direction des débris



Réglage d'inclinaison



Réglage de pivotement

Entretien du coupe-bordure

Assurez-vous que votre coupe-bordure est en bonne condition de marche en suivant les directives ci-dessous en tête.

- Garder le coupe-bordure en bon état de marche et tous les écrans et gardes en place. NE PAS faire fonctionner le coupe-bordure si l'un ou l'autre des écrans ou gardes est absent.
- Vérifiez le serrage de tous les écrous et boulons pour conserver l'équipement dans un état de marche sécuritaire. Faites les réglages requis.
- Gardez le moteur libre de paillettes d'herbe, de feuilles ou d'excès de graisse pour prévenir tout danger d'incendie.
- NE PAS faire fonctionner le coupe-bordure si son silencieux est endommagé ou absent. NE PAS modifier le système d'échappement, ceci pourrait créer un risque d'incendie.
- NE PAS faire fonctionner le moteur si le filtre ou le couvercle au-dessus du carburateur est absent. Le retrait des ces pièces pourrait créer un danger d'incendie.
- ARRÊTER le moteur, débrancher la bougie et laisser refroidir le moteur avant de faire tout réglage ou réparation du coupe-bordure.
- Manipulez l'essence avec précautions. NE PAS fumer ou utiliser de chalumeau ou outils pouvant créer des étincelles près du contenant/réservoir d'essence. - N'utilisez que des contenants approuvés. Ne jamais faire fonctionner un coupe-bordure dans un endroit sans aération adéquate tel un garage ou édifice d'entretien.
- Ne retirer le bouchon du réservoir que pour le remplissage. Assurez-vous de nettoyer tout déversement d'essence.
- Ne pas faire fonctionner le moteur à un régime excessif ou changer le réglage du gouverneur de vitesse, ceci pourrait conduire à un bris mécanique ou des blessures graves.
- Ne jamais entreposer le coupe-gazon avec de l'essence dans le réservoir à l'intérieur d'un édifice où la possibilité d'émanations pourraient atteindre un pilote de brûleur à gaz allumé ou une source d'étincelles. - Laissez toujours refroidir le moteur avant de la remiser.



NE JAMAIS FAIRE LE PLEIN D'ESSENCE LORSQUE LE MOTEUR EST CHAUD – LAISSER REFROIDIR LE MOTEUR AVANT LE REMPLISSAGE



AVERTISSEMENT – TOUJOURS ARRÊTER LE MOTEUR ET DÉCONNECTER LE FIL DE BOUGIE AVANT DE FAIRE TOUT RÉGLAGE OU ENTRETIEN

Moteur

- Se référer au manuel d'entretien moteur fourni avec cet équipement.

Courroies

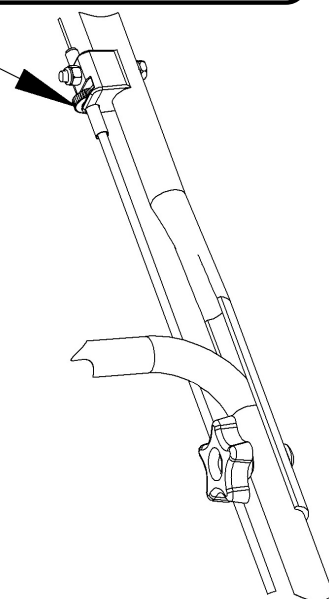
- Vérifiez occasionnellement la courroies pour usure. Une courroie usée doit être remplacée.

Réglage de la courroie

Pendant les premières heures de fonctionnement toutes les courroies traversent une « période de rodage », après quoi les courroies doivent être ajustées en se référant aux instructions suivantes. Les indications en faveur de l'ajustement des courroies incluent :

- La perte de puissance de la tête de coupe, causant une rotation anormale de la tête ou un ralentissement.
- Une usure excessive de la courroie en raison du glissement.
- La ceinture entre la tête de coupe et la poulie double possède un mécanisme de réglage de tension automatique règle automatiquement la tension lorsque la tête est inclinée.. Si vous n'inclinez pas la tête de votre coupe-bordure de façon régulière, il est recommandé de desserrer la tête deux fois l'an (voir Coupe de périphérie en biseau).
- Les courroie utilisées pour engager/désengager la tête de coupe peuvent être ajustées en vous référant aux instructions suivantes:
 1. Localiser l'ajusteur de molette sur la câble de commande (voir illustration).
 2. Sortez l'étrier de contrôle pour dégager la tête de coupe.
 3. Faites pivoter la molette de quelques tours dans le sens des aiguilles d'une montre (à partir de la position normale de fonctionnement).
 4. Ré-engagez la tête de coupe.
 5. Si la tête de coupe n'est pas revenue à son fonctionnement normal, répétez les étapes 2 à 4.

Molette !



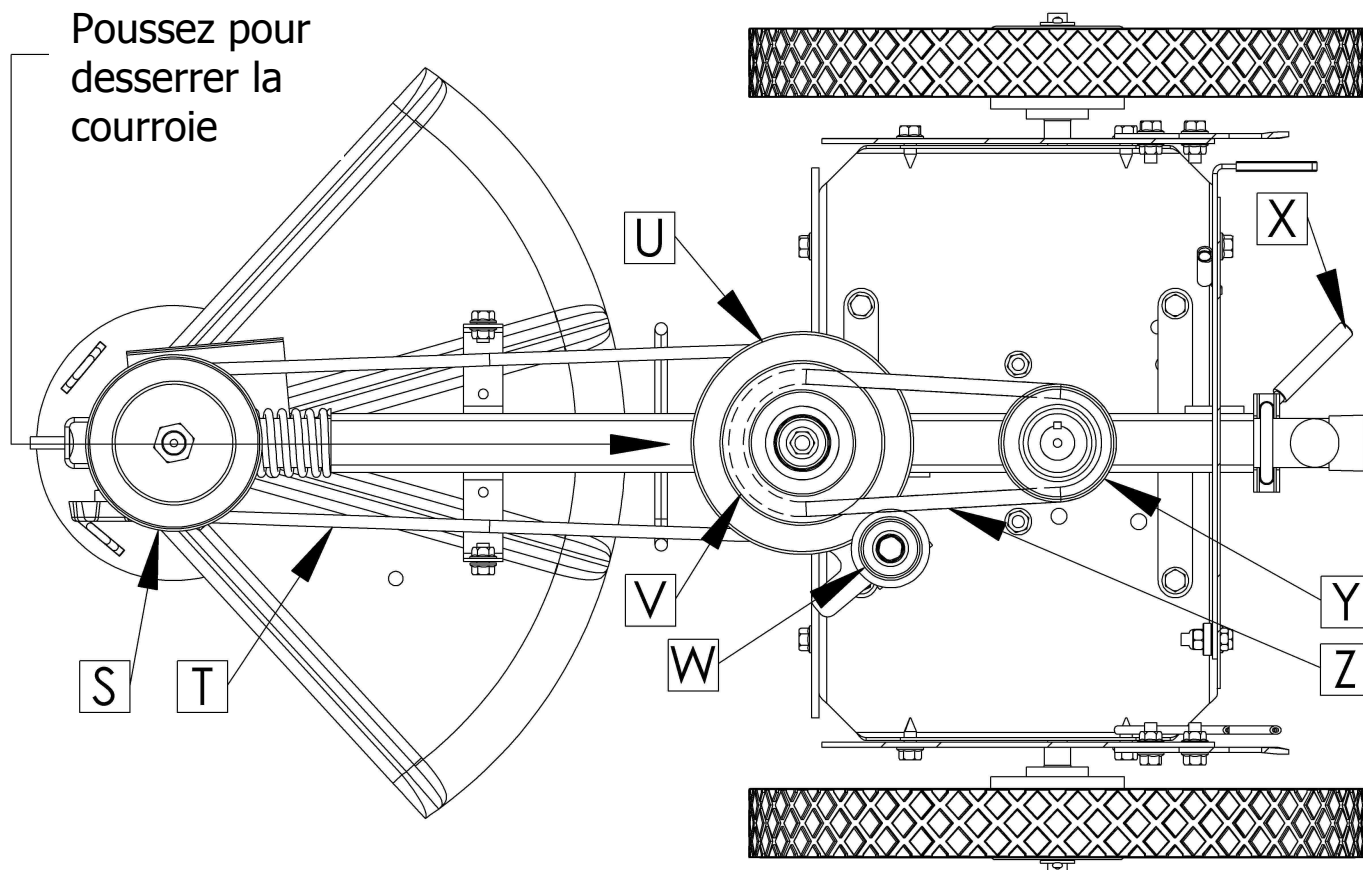
Important ! Ne serrez pas trop les réglage du câble d'ajustement. Cela peut entraîner la cassure du câble. Une force excessive ne doit PAS être nécessaire pour engager complètement l'étrier.

Remplacement de la courroie d'engagement de la tête **Z**

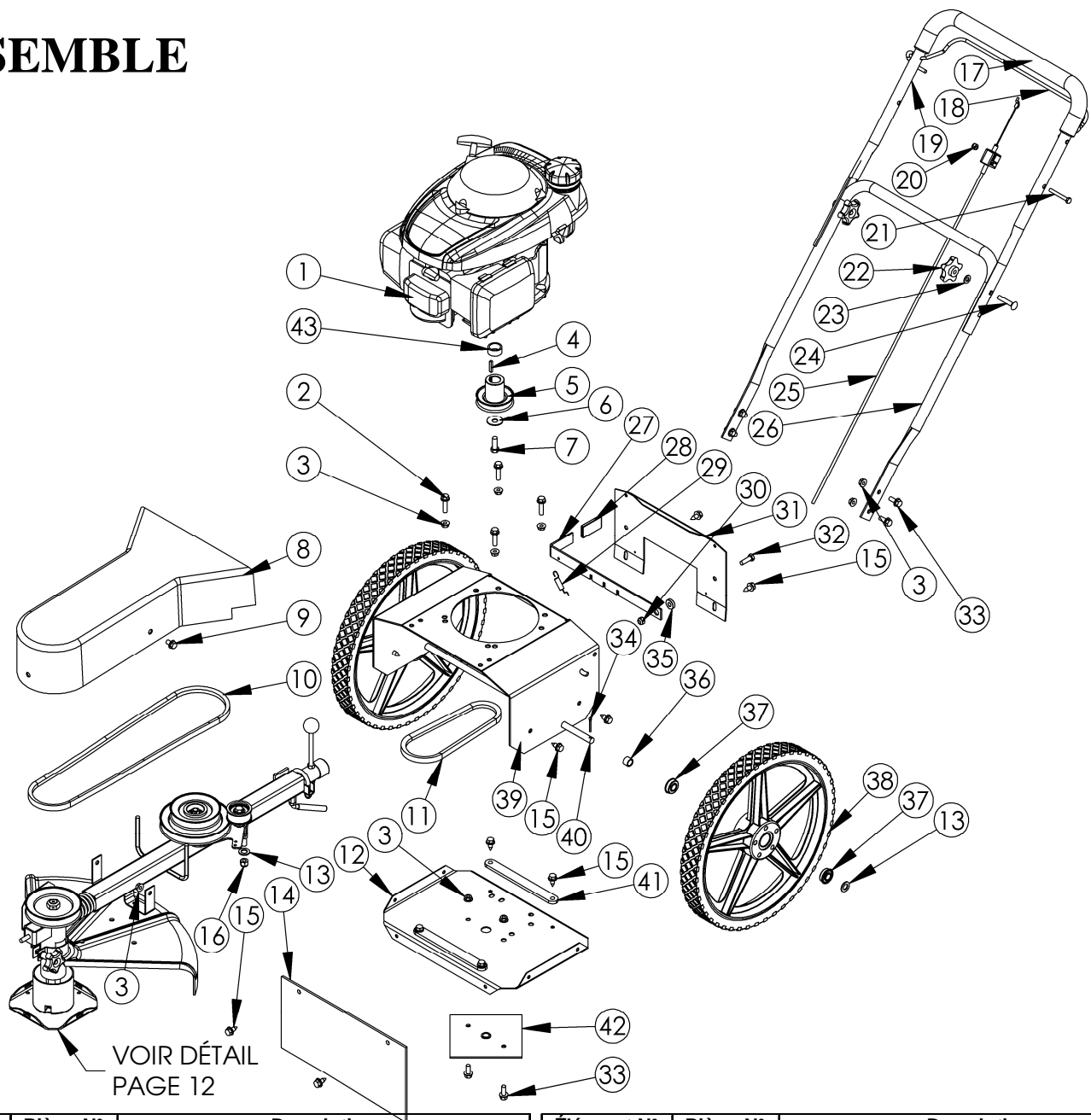
1. Retirez le carter de la courroie avant.
2. Retirez l'ancienne courroie.
3. Installez la nouvelle courroie en passant tout d'abord la courroie sous le moteur puis autour de la poulie moteur **Y**.
4. Ensuite, passez la courroie autour de la poulie de transmission **V**.
5. Veillez à ce que la poulie **W** se trouve à l'extérieur de la ceinture comme indiqué.
6. Veillez à ce que cette courroie soit correctement installée dans le sillon de chaque poulie.
7. Réinstaller le carter de la courroie avant.
8. Si la tension de la courroie avait précédemment été ajustée, réinitialisez la molette d'ajustement en faisant pivoter la molette dans le sens des aiguilles d'une montre autant que le dispositif de réglage le permettra (reportez-vous l'illustration dans les instructions de Réglage de courroie). Si la tête ne s'engage pas correctement, reportez-vous aux instructions de Réglage de courroie.

Remplacement de la courroie de transfert **T**

1. Retirez le carter de la courroie avant.
2. Retirez la courroie **Z** d'engagement de la tête.
3. Desserrez la poignée d'inclinaison **X**.
4. Poussez la tête vers l'arrière de l'unité, en comprimant le ressort tendeur.
5. Retirez l'ancienne courroie.
6. Installez la nouvelle courroie en passant tout d'abord la courroie autour de la poulie de transfert **U**.
7. Ensuite, passez la courroie autour de la poulie avant **S**. **ATTENTION – risque de pincement :** Veillez à ne pas exposer une partie du corps entre la courroie et les poulies, car cela pourrait causer des blessures.
8. Libérez la tête de coupe et serrez la poignée d'inclinaison selon les instructions.
9. Réinstaller la courroie d'engagement de la tête selon les instructions fournies ci-dessus.
10. Réinstaller le carter de la courroie avant.
11. Si la tête ne s'engage pas correctement, reportez-vous aux instructions de Réglage de courroie.



ENSEMBLE



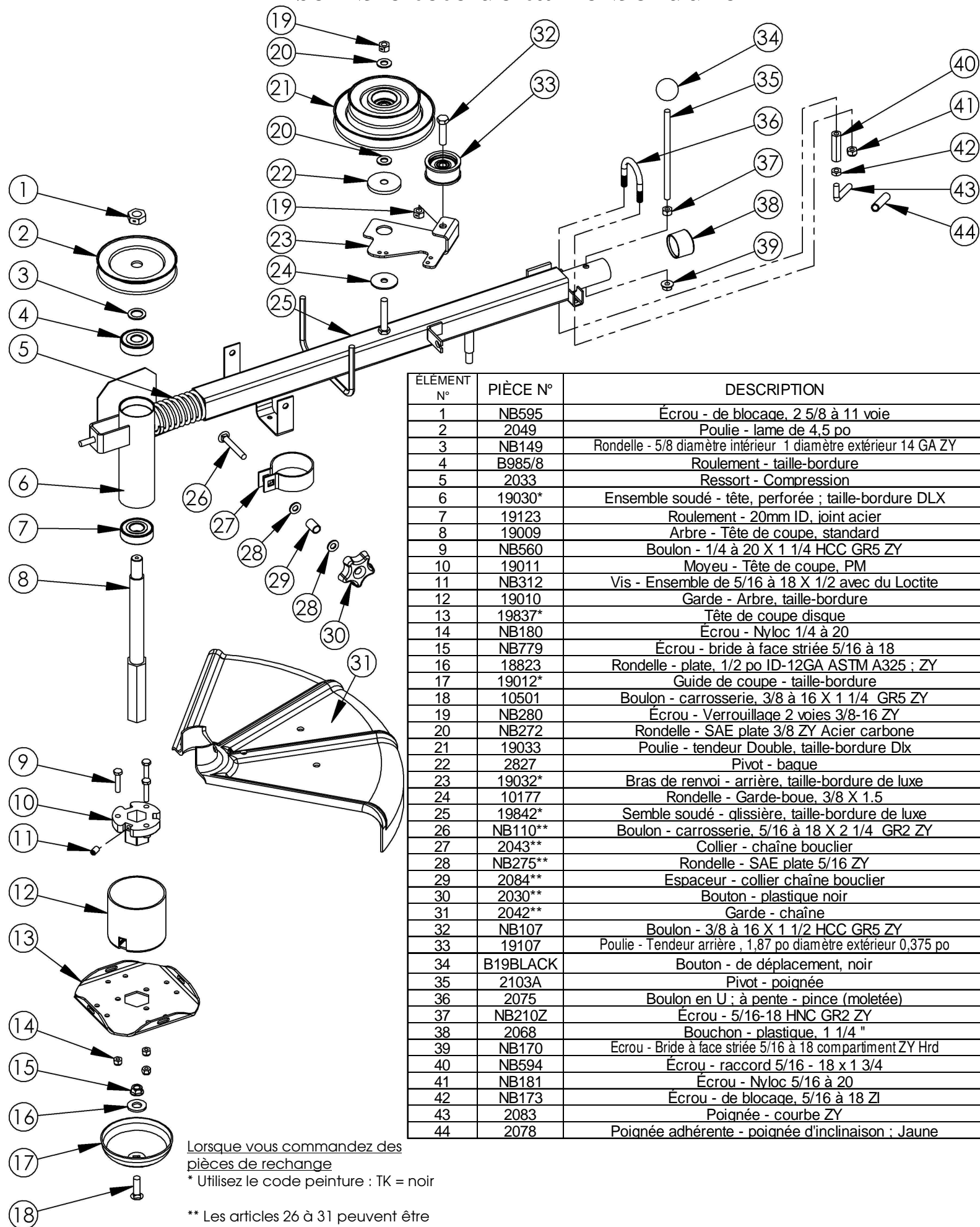
VOIR DÉTAIL
PAGE 12

Élément N°	Pièce N°	Description	Élément N°	Pièce N°	Description
1	N/D	Moteur Briggs & Stratton	22	2030	Bouton - plastique noir
2	NB253	Boulon - bride de serrage, 5/16-18 X 1 1/4ZY	23	NB275	Rondelle - SAE plate 5/16
3	NB170	Écrou - bride à face striée 5/16 à 18	24	NB587	Boulon - carrosserie, 5/16 à 18 X 1 3/4
4	9030	Clavette en barre - 3/16 X 1	25	19006	Câble - Commande, taille-bordure
5	19117	Poulie - moteur	26	10399*	Poignée - basse
6	699	Rondelle - Belleville 7/16 X 1 1/4	27	2040*	Arrêt - Pivot
7	NB238N	Boulon - HHC 3/8 à 24 X 1	28	2077	Pivot - poignée adhérente
8	2119	Garde - courroie	29	2069	Ressort - taille-bordure de luxe
9	NB252	Écrou - bride à face striée 5/16 à 18 x 1/2 ZY	30	NB181	Écrou - Nyloc 5/16 à 20
10	19074	Ceinture - 45 po, taille-bordure de luxe	31	19059*	Couverture - arrière, taille-bordure de luxe
11	19053	Courroie - 24 po, taille-bordure	32	NB501	Boulon - 5/16 à 18 X 1
12	2006*	Bloc - moteur inférieur	33	NB596	Écrou - bride à face striée 5/16 à 18 x 3/4
13	NB177	Rondelle - Mach 1/2	34	NB126	Broche - Clavette, 1/8 X 1
14	19004	Bouclier - caoutchouc	35	B99S	Espaceur
15	26X249	Vis - 0.312 à 18 X 0.75	36	690369	Espaceur- 1/2 po à 17 MM
16	NB182	Écrou - Nyloc 3/8 à 16 ZY	37	MWB	Roulement - Roue, 1 1/8 po diamètre extérieur X 1/2 po ID
17	19561	Poignée	38	2003K**	Roue, 16 po, 1/2 po ID
18	19005	Étrier - taille-bordure	39	19058*	Bloc-moteur -Supérieur, taille-bordure Dlx
19	10578*	Poignée - haute	40	14416	Essieu - taille-bordure ; YZ
20	NB180	Écrou - Nyloc 1/4 à 20	41	2116	Bande - usure
21	NB218	Boulon - 1/4-20 X 2 HCC GR5 ZY	42	2073*	Plaque - Soudure du pivot
			43	20883	Entretoise - 1.125 X .120 Wall X .500

Lorsque vous commandez des pièces de rechange
* UTILISER LE CODE PEINTURE : TK = NOIR

** les roues comprennent deux roulements. Utilisez la pièce N° MWB lors du remplacement des roulements seuls.

Ensemble tête de taille-bordure



ÉLÉMENT N°	PIÈCE N°	DESCRIPTION
1	NB595	Écrou - de blocage, 2 5/8 à 11 voie
2	2049	Poulie - lame de 4,5 po
3	NB149	Rondelle - 5/8 diamètre intérieur 1 diamètre extérieur 14 GA ZY
4	B985/8	Roulement - taille-bordure
5	2033	Ressort - Compression
6	19030*	Ensemble soudé - tête, perforée ; taille-bordure DLX
7	19123	Roulement - 20mm ID, joint acier
8	19009	Arbre - Tête de coupe, standard
9	NB560	Boulon - 1/4 à 20 X 1 1/4 HCC GR5 ZY
10	19011	Moyeu - Tête de coupe, PM
11	NB312	Vis - Ensemble de 5/16 à 18 X 1/2 avec du Loctite
12	19010	Garde - Arbre, taille-bordure
13	19837*	Tête de coupe disque
14	NB180	Écrou - Nyloc 1/4 à 20
15	NB779	Écrou - bride à face striée 5/16 à 18
16	18823	Rondelle - plate, 1/2 po ID-12GA ASTM A325 ; ZY
17	19012*	Guide de coupe - taille-bordure
18	10501	Boulon - carrosserie, 3/8 à 16 X 1 1/4 GR5 ZY
19	NB280	Écrou - Verrouillage 2 voies 3/8-16 ZY
20	NB272	Rondelle - SAE plate 3/8 ZY Acier carbone
21	19033	Poulie - tendeur Double, taille-bordure Dlx
22	2827	Pivot - bague
23	19032*	Bras de renvoi - arrière, taille-bordure de luxe
24	10177	Rondelle - Garde-boue, 3/8 X 1.5
25	19842*	Semble soudé - glissière, taille-bordure de luxe
26	NB110**	Boulon - carrosserie, 5/16 à 18 X 2 1/4 GR2 ZY
27	2043**	Collier - chaîne bouclier
28	NB275**	Rondelle - SAE plate 5/16 ZY
29	2084**	Espaceur - collier chaîne bouclier
30	2030**	Bouton - plastique noir
31	2042**	Garde - chaîne
32	NB107	Boulon - 3/8 à 16 X 1 1/2 HCC GR5 ZY
33	19107	Poulie - Tendeur arrière, 1,87 po diamètre extérieur 0,375 po
34	B19BLACK	Bouton - de déplacement, noir
35	2103A	Pivot - poignée
36	2075	Boulon en U ; à pente - pince (moletée)
37	NB210Z	Écrou - 5/16-18 HNC GR2 ZY
38	2068	Bouchon - plastique, 1 1/4 "
39	NB170	Écrou - Bride à face striée 5/16 à 18 compartiment ZY Hrd
40	NB594	Écrou - raccord 5/16 - 18 x 1 3/4
41	NB181	Écrou - Nyloc 5/16 à 20
42	NB173	Écrou - de blocage, 5/16 à 18 ZI
43	2083	Poignée - courbe ZY
44	2078	Poignée adhérente - poignée d'inclinaison ; Jaune

Lorsque vous commandez des pièces de rechange
* Utilisez le code peinture : TK = noir

** Les articles 26 à 31 peuvent être achetés collectivement en commandant la pièce N° 2076.

MANUEL DU PROPRIÉTAIRE

N° DE MODÈLES

STD4422HO

Chaque coupe-bordure est identifié de son propre numéro de modèle/série. Chaque moteur est identifié de son propre numéro de modèle/série. Le numéro de série des coupes-bordure se trouve sur le côté gauche du support du moteur. Le numéro de série des moteurs se trouve sur le dessus de la cage du ventilateur.

Toutes les pièces énumérées dans le présent manuel peuvent être commandées directement chez Swisher ou chez le dépositaire le plus rapproché.

Toutes les pièces de moteurs peuvent être commandées chez les dépositaires du moteur dont votre machine est équipée.

POUR COMMANDER DES PIÈCES, VEUILLEZ S.V.P.
FOURNIR L'INFORMATION SUIVANTE :

- * ÉQUIPEMENT – COUPE-BORDURE
- * NUMÉRO DE SÉRIE - _____
- * NUMÉRO DE MODÈLE - _____
- * NUMÉRO DE MODÈLE DU MOTEUR - _____
- TYPE - _____
- * NUMÉRO DE PIÈCE AVEC CODE DE PEINTURE
- * DESCRIPTION DE LA PIÈCE

TÉLÉPHONE - 1-800-222-8183

TÉLÉCOPIEUR - 1-660-747-8650

SWISHER ACQUISITION INC.

1602 CORPORATE DRIVE

WARRENSBURG, MO 64093 U.S.A.

SWISHER®

Le paysage a changé depuis 1945.