

Heat-a-Ventlite

DESCRIPTION

Three functions in one unit. Use them individually or together.

- 1500 watt heating element provides fan forced heat.
- Vent fan exhausts stale air and moisture.
- Streamline design with handsome white grille. Grille is tough polymeric, impervious to bathroom climate.
- Built in junction box with receptacles for simple plug-in installation of heater, fan motor and lights.
- Bright 100 Watt and 7 Watt night light.

MODEL: 9965

SPECIFICATIONS

Electrical Rating: 120V, 60Hz
1620 total Watts
5118BTU.

Certified air performance: 70 CFM at .1 SP, typical

Certified Sound Level: 4.0 Sones.

Housing: **Dimensions:** 14" x 9 $\frac{3}{4}$ " x 7 $\frac{3}{4}$ "H.
Material: Galvanized steel.

Heating Element: Nickel-Chromium coiled resistance wire. 1500 Watt.

Thermal Protection: Automatic resetting thermal limit protector.

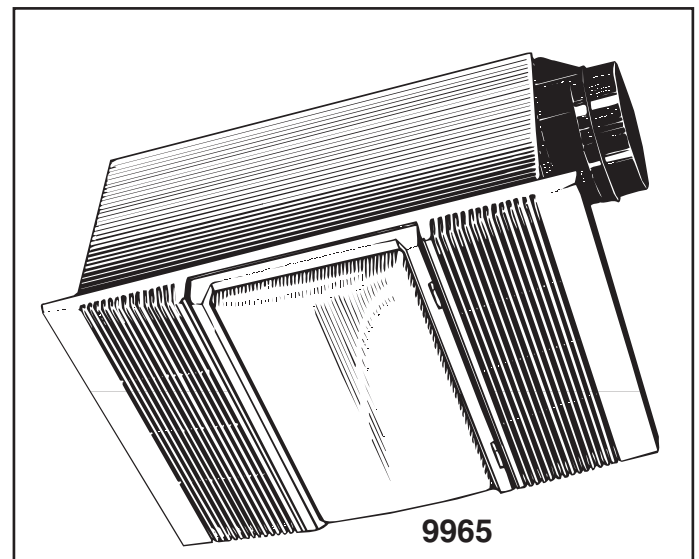
Motors: Plug-in, Thermally protected.

Switch: Separate On/Off wall switch for heat, vent and light and night light functions.

Exhaust Duct: Snap on polymeric duct adapter and damper designed for 4" round design.

Light: 100 Watt maximum, Type A-19.

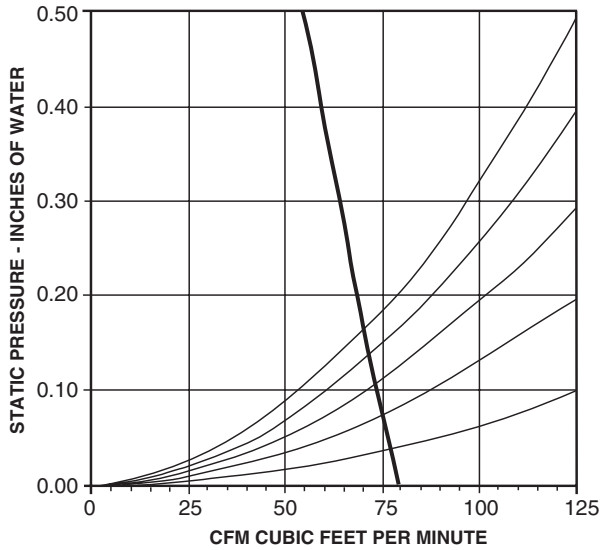
Night Light: 7 Watt maximum.



INSTALLATION

- Not designed for installation over a tub or in a shower unit.
- Installation instructions included with each unit.

AIR PERFORMANCE CURVE
(4 In. Duct)



STATIC PRESSURE (INCHES OF WATER)	0.05	0.10	.125	0.15	0.20	0.25	0.30	0.35	0.40	0.50	0.73
Air flow (CFM)	77	73	74	71	70	67	62	60	55	40	0

CERTIFIED TEST DATA



HVI-2100 CERTIFIED RATINGS comply with new testing technologies and procedures prescribed by the Home Ventilating Institute, for off-the-shelf products, as they are available to consumers. Product performance is rated at 0.1 in. static pressure, based on tests conducted in AMCA's state-of-the-art test laboratory. Sones are a measure of humanly-perceived loudness, based on laboratory measurements. This NuTone model is listed by Underwriters' Laboratories Inc.

- Air delivery 70 CFM.
- Sound level: 4.0 sones.

The air delivery of a ventilating system may be determined by:

1. Determine the equivalent duct length for each 90 degree elbow by adding one foot of duct length for each inch of duct diameter, i.e., a 4 inch diameter duct elbow equals 4 feet equivalent duct length and an 8 inch diameter duct elbow equals 8 feet equivalent duct length.
2. Add the total straight length of duct and the equivalent length for each elbow to obtain the total equivalent duct length.
3. Locate the intersection of the fan performance curve and the total equivalent duct length curves and draw a vertical line down to the CFM scale and read the system air performance.

ARCHITECT'S SPECIFICATIONS

Heat-A-Ventlite shall be model 9965 as manufactured by NuTone according to listed specifications.

Product specifications subject to change without notice.

NuTone, Inc., 4820 Red Bank Road, Cincinnati, Ohio 45227
Printed in U.S.A.