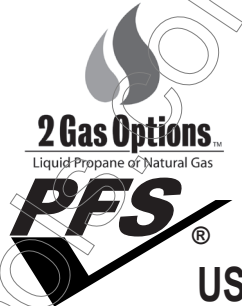




# VENT-FREE GAS LOGS OWNER'S OPERATION AND INSTALLATION MANUAL

**MODELS  
CRHD18T AND CRHD24T**



**⚠ WARNING:** If the information in this manual is not followed exactly, a fire or explosion may result causing property damage, personal injury or loss of life.

- Do not store or use gasoline or other flammable vapors and liquids in the vicinity of this or any other appliance.
- **WHAT TO DO IF YOU SMELL GAS**
  - Do not try to light any appliance.
  - Do not touch any electrical switch; do not use any phone in your building.
  - Immediately call your gas supplier from a neighbor's phone. Follow the gas supplier's instructions.
  - If you cannot reach your gas supplier, call the fire department.
- Installation and service must be performed by a qualified installer, service agency or the gas supplier.

**⚠ WARNING:** This appliance is equipped for Natural and Propane gas. Field conversion is not permitted other than between natural or propane gases.



**Questions, problems, missing parts?** Before returning to your retailer, call our customer service department at 1-866-573-0674, 7:30 am - 4:15 pm CST, Monday through Friday or email [customerservice@usaprocom.com](mailto:customerservice@usaprocom.com)

---

---

## TABLE OF CONTENTS

---

---

Safety .....	3	Operation.....	20
Qualified Installing Agency .....	4	Inspecting Burners.....	22
Specifications .....	5	Care And Maintenance.....	23
Product Features .....	5	Troubleshooting.....	24
Product Identification.....	5	Parts .....	28
Local Codes.....	6	Replacement Parts.....	30
Unpacking.....	6	Accessories .....	30
Water Vapor: A By-Product Of		Service Hints .....	31
Unvented Room Heaters.....	6	Technical Service.....	31
Air For Combustion and Ventilation.....	7	Warranty.....	32
Installation .....	9		

### SAVE THIS BOOK

**INSTALLER:** Leave this manual with the appliance.  
**CONSUMER:** Retain this manual for future reference.

**This is an unvented gas-fired heater. It uses air (oxygen) from the room in which it is installed. Provisions for adequate combustion and ventilation air must be provided. Refer to *Air For Combustion and Ventilation* section on page 7 of this manual.**

**⚠ WARNING:** Improper installation, adjustment, alteration, service or maintenance can cause injury or property damage. Refer to this manual for correct installation and operational procedures. For assistance or additional information consult a qualified installer, service agency or the gas supplier.

**This appliance may be installed in an aftermarket,\* permanently located, manufactured (mobile) home, where not prohibited by local codes.**

**This appliance is only for use with propane or natural gas. This appliance is equipped with a simple means to switch between propane and natural gas. Field conversion by any other means including the use of a kit is not permitted.**

\* Aftermarket: Completion of sale, not for purpose of resale, from the manufacturer.

## SAFETY

**IMPORTANT:** Read this owner's manual carefully and completely before trying to assemble, operate, or service this heater. Improper use of this heater can cause serious injury or death from burns, fire, explosion, electrical shock and carbon monoxide poisoning. Failure to follow these instructions will void the warranty.

Only a qualified installer, service agent, or local gas supplier may install and service this product.

**⚠ WARNING:** Keep the appliance area clear and free from combustible materials, gasoline, and other flammable vapors and liquids.

**⚠ WARNING:** This appliance can be used with propane or natural gas. It is shipped from the factory adjusted for use with propane.

**⚠ DANGER:** Carbon monoxide poisoning may lead to death!

**CARBON MONOXIDE POISONING:** Early signs of carbon monoxide poisoning resemble the flu, with headaches, dizziness or nausea. If you have these signs, the heater may not be working properly. Get fresh air at once! Have heater serviced. Some people are more affected by carbon monoxide than others. These include pregnant women, people with heart or lung disease or anemia, those under the influence of alcohol and those at high altitudes.

**NATURAL AND PROPANE/LP GAS:** Natural and Propane/LP gas are odorless. An odor-making agent is added to the gas. The odor helps you detect a gas leak. However, the odor added to the gas can fade. Gas may be present even though no odor exists.

**⚠ WARNING:** Any change to this heater or its controls can be dangerous.

**⚠ WARNING:** Do not allow fans to blow directly into fireplace. Avoid any drafts that alter burner flame patterns.

**⚠ WARNING:** Do not use a blower insert, heat exchange insert or other accessory not approved for use with this heater.

**⚠ WARNING:** Due to high temperatures, the appliance should be located out of traffic and away from furniture and draperies.

**⚠ WARNING:** Do not place clothing or other flammable material on or near the appliance. Never place any objects in the heater.

**⚠ WARNING:** The log set becomes very hot when running. Keep children and adults away from hot surfaces to avoid burns or clothing ignition. Fireplace will remain hot for a time after shutdown. Allow surfaces to cool before touching.

**⚠ WARNING:** Carefully supervise young children when they are in the room with the heater.

**⚠ WARNING:** You must operate this log set with screen in place.

---

---

## SAFETY

---

---

1. Do not place Propane/LP supply tank(s) inside any structure. Propane/LP supply tank(s) must be placed outdoors.
2. This heater shall not be installed in a bedroom or bathroom.
3. This heater needs fresh air ventilation to run properly. This heater has an Oxygen Depletion Sensing (ODS) safety shutoff system. The ODS shuts down the heater if not enough fresh air is available. See *Air for Combustion and Ventilation*, pages 7 and 8. If heater keeps shutting off, see *Troubleshooting*, page 24.
4. Keep all air openings in front and bottom of heater clear and free of debris. This will ensure enough air for proper combustion.
5. If heater shuts off, do not relight until you have provided fresh, outside air. If heater keeps shutting off, have it serviced.
6. Do not run heater:
  - Where flammable liquids or vapors are used or stored.
  - Under dusty conditions.
7. Before using furniture polish, wax, carpet cleaner, or similar products, turn heater off. If heated, the vapors from these products may create a white powder residue within burner box or on adjacent walls or furniture.
8. Do not use heater if any part has been under water. Immediately call a qualified service technician to inspect the room heater and to replace any part of the control system and any gas control which has been under water.
9. Turn off heater and let cool before servicing. Only a qualified service person should service and repair heater.
10. Operating heater above elevations of 4,500 feet could cause pilot outage.
11. To prevent performance problems, do not use propane/LP fuel tank of less than 100 lbs. capacity.
12. Do not use this heater as a wood-burning heater. Use only the logs provided with the heater.
13. Solid fuels should not be burned in fireplace in which a vent-free log set is installed. Do not use this heater to cook food or burn paper or other objects.
14. To prevent sooting, follow the instructions in *Care and Maintenance* (see page 23).
15. Do not add extra logs or ornaments such as pine cones, vermiculite, or rock wool. Using these added items can cause sooting. Do not add lava rock around base. Rock and debris could fall into the control area of heater. After servicing, always replace screen before operating heater.
16. This heater is designed to be smokeless. If logs ever appear to smoke, turn off heater and call a qualified service person.

*Note: During initial operation, slight smoking could occur due to log curing and the heater burning manufacturing residues.*
17. If fireplace has glass doors, never operate this heater with glass doors closed. If you operate heater with doors closed, heat will build up inside fireplace and cause glass to burst. If fireplace opening has vents at the bottom, you must open the vents before operating log set. Always operate heater with glass doors fully open.
18. Do not use this heater if any log is broken. Do not operate heater if a log is chipped (dime-size or larger).

---

---

## QUALIFIED INSTALLING AGENCY

---

---

Only a qualified agency should install and replace gas piping, gas utilization equipment or accessories, and repair and equipment servicing. The term "qualified agency" means any individual, firm, corporation, or company that either in person or through a representative is engaged in and is responsible for:

- a) Installing, testing, or replacing gas piping or
- b) Connecting, installing, testing, repairing, or servicing equipment; that is experienced in such work; that is familiar with all precautions required; and that has complied with all the requirement of the authority having jurisdiction.

## SPECIFICATIONS

	Model CRHD18T		Model CRHD24T	
Ignition	Electronic Piezo Ignitor			
Gas Type	Natural Gas	Propane Gas	Natural Gas	Propane Gas
Input Rating	30,000 Btu/Hr	30,000 Btu/Hr	32,000 Btu/Hr	32,000 Btu/Hr
Manifold Pressure	4" W.C.	9" W.C.	4" W.C.	9" W.C.
Inlet Gas Pressure* (inches of water) (*for purposes of input adjustment)	Max. 9" Min. 5"	Max. 14" Min. 11"	Max. 9" Min. 5"	Max. 14" Min. 11"

## PRODUCT FEATURES

This log set has been tested and approved to ANSI Z21.11.2 standard for Unvented Heaters and can be operated with the flue damper closed. State and local codes in some areas prohibit the use of vent-free heaters.

### SAFETY PILOT

This heater has a pilot with an Oxygen Depletion Sensing (ODS) safety shutoff system. The ODS/pilot shuts off the heater if there is not enough fresh air.

### PIEZO IGNITION SYSTEM

This heater is equipped with an electronic piezo control system. This system requires AAA batteries (provided).

### THERMOSTAT HEAT CONTROL

The control automatically cycles the burner on and off to maintain a desired room temperature.

### 2 GAS OPTIONS AVAILABLE

Your heater is equipped to operate on either Propane/LP or Natural gas. The heater is shipped from the factory ready for connecting to Propane/LP. The heater can easily be changed to Natural gas by having your qualified installer follow the instructions on page 12 and the markings on the heater.

## PRODUCT IDENTIFICATION



**Figure 1 - Vent-Free Log Set**

---

---

## LOCAL CODES

---

---

Install and use heater with care. Follow all local codes. In the absence of local codes, use the latest edition of *The National Fuel Gas Code, ANSI Z223.1/NFPA 54\**.

\*Available from:

American National Standards Institute, Inc.  
1430 Broadway  
New York, NY 10018  
National Fire Protection Association, Inc.  
1 Batterymarch Park  
Quincy, MA 02269-9101

This heater is designed for vent-free operation. State and local codes in some areas prohibit the use of vent-free heaters.

**State of Massachusetts:** The installation must be made by a licensed plumber or gas fitter in the Commonwealth of Massachusetts.

Sellers of unvented propane or natural gas-fired supplemental room heaters shall provide to each purchaser a copy of 527 CMR 30 upon sale of the unit.

In the State of Massachusetts the gas cock must be a T-handle type. The State of Massachusetts requires that a flexible appliance connector cannot exceed three feet in length.

---

---

## UNPACKING

---

---

1. Remove logs and burner base assembly from carton.  
*Note: Do not pick up burner base assembly by burners as this could damage heater. Always handle base assembly by grate.*
2. Remove all protective packaging applied to logs and heater for shipment.
3. Check all items for any shipping damage. If damaged, promptly inform dealer where you purchased the heater.

---

---

## WATER VAPOR: A BY-PRODUCT OF UNVENTED ROOM HEATERS

---

---

Water vapor is a by-product of gas combustion. An unvented room heater produces approximately one (1) ounce (30 mL) of water for every 1,000 BTUs (0.3 KWs) of gas input per hour. Unvented room heaters are recommended as supplemental heat (a room) rather than a primary heat source (an entire house). In most supplemental heat applications, the water vapor does not create a problem. In most applications, the water vapor enhances the low humidity atmosphere experienced during cold weather.

The following steps will help ensure that water vapor does not become a problem.

1. Be sure the heater is sized properly for the application, including ample combustion air and circulation air.
2. If high humidity is experienced, a dehumidifier may be used to help lower the water vapor content of the air.
3. Do not use an unvented room heater as the primary heat source.

---

---

## AIR FOR COMBUSTION AND VENTILATION

---

---

**⚠ WARNING:** This heater shall not be installed in a confined space or unusually tight construction unless provisions are provided for adequate combustion and ventilation air. Read the following instructions to insure proper fresh air for this and other fuel-burning appliances in your home.

Today's homes are built more energy efficient than ever. New materials, increased insulation and new construction methods help reduce heat loss in homes. Home owners weather strip and caulk around windows and doors to keep the cold air out and the warm air in. During heating months, home owners want their homes as airtight as possible.

While it is good to make your home energy efficient, your home needs to breathe. Fresh air must enter your home. All fuel-burning appliances need fresh air for proper combustion and ventilation.

Exhaust fans, fireplaces, clothes dryers and fuel burning appliances draw air from the house to operate. You must provide adequate fresh air for these appliances. This will insure proper venting of vented fuel-burning appliances.

**⚠ WARNING:** This heater shall not be installed in a room or space unless the required volume of indoor combustion air is provided by the method described in the *National Fuel Gas Code, ANSI Z223.1/NFPA 54*, the *International Fuel Gas Code*, or applicable local codes.

**⚠ WARNING:** If the area in which the heater may be operated is smaller than that defined as an unconfined space or if the building is of unusually tight construction, provide adequate combustion and ventilation air by one of the methods described in the *National Fuel Gas Code, ANSI Z223.1/NFPA 54*, the *International Fuel Gas Code*, or applicable local codes.

# AIR FOR COMBUSTION AND VENTILATION

## VENTILATION AIR

### Ventilation Air From Inside Building

This fresh air would come from an adjoining unconfined space. When ventilating to an adjoining unconfined space, you must provide two permanent openings: one within 12" of the ceiling and one within 12" of the floor on the wall connecting the two spaces (see options 1 and 2, Figure 2). You can also remove door into adjoining room (see option 3, Figure 2). Follow the *National Fuel Gas Code, ANSI Z223.1/NFPA 54, Air for Combustion and Ventilation* for required size of ventilation grills or ducts.

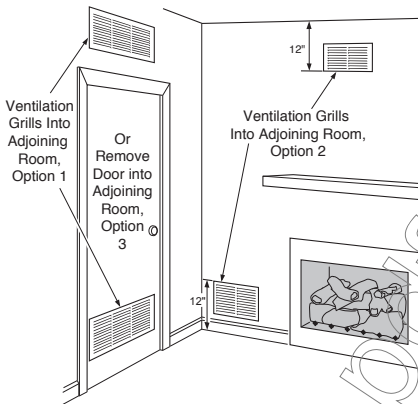


Figure 2 - Ventilation Air from Inside Building

### Ventilation Air From Outdoors

Provide extra fresh air by using ventilation grills or ducts. You must provide two permanent openings: one within 12" of the ceiling and one within 12" of the floor. Connect these items directly to the outdoors or spaces open to the outdoors. These spaces include attics and crawl spaces. Follow the *National Fuel Gas Code, ANSI Z223.1/NFPA 54, Air for Combustion and Ventilation* for required size of ventilation grills or ducts.

**IMPORTANT:** Do not provide openings for inlet or outlet air into attic if attic has a thermostat-controlled power vent. Heated air entering the attic will activate the power vent. Rework worksheet, adding the space of the adjoining unconfined space. The combined spaces must have enough fresh air to supply all appliances in both spaces.

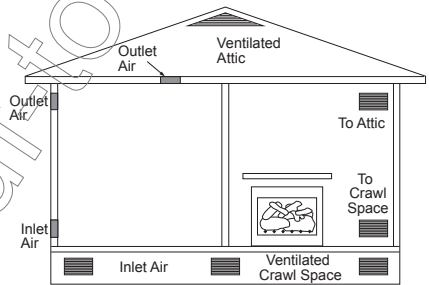


Figure 3 - Ventilation Air from Outdoors



## INSTALLATION

**NOTICE:** This heater is intended for use as supplemental heat. Use this heater along with your primary heating system. Do not install this heater as your primary heat source. If you have a central heating system, you may run system's circulating blower while using heater. This will help circulate the heat throughout the house. In the event of a power outage, you can use this heater as your primary heat source.

**⚠ WARNING:** A qualified service person must install heater. Follow all local codes.

**⚠ WARNING:** Before installing in a solid fuel burning fireplace, the chimney flue and firebox must be cleaned of soot, creosote, ashes and loose paint by a qualified chimney cleaner. Creosote will ignite if highly heated. A dirty chimney flue may create and distribute soot within the house. Inspect chimney flue and firebox for damage. If damaged, repair flue before operating heater.

**⚠ WARNING:** Seal any fresh air vents or ash clean-out doors located on floor or wall of fireplace. If not, drafting may cause pilot outage or sooting. Use a heat-resistant sealant. Do not seal chimney flue damper.

**⚠ WARNING:** Never install the heater

- in a bedroom or bathroom
- in a recreational vehicle
- where curtains, furniture, clothing, or other flammable objects are less than 36" from the front, 42" from top, or 16" from sides of the heater.
- in high traffic areas
- in windy or drafty areas

**⚠ CAUTION:** This heater creates warm air currents. These currents move heat to wall surfaces next to heater. Installing heater next to vinyl or cloth wall coverings or operating heater where impurities (such as tobacco smoke, aromatic candles, cleaning fluids, oil or kerosene lamps, etc.) in the air exist, may discolor walls or cause odors.

**NOTICE:** State or local codes may only allow operation of this appliance in a vented configuration. Check your state or local codes.

**⚠ WARNING:** This appliance is designed for installation in only a solid-fuel burning masonry or UL 127 factory-built fireplace or in a listed ventless firebox enclosure. Exception: **DO NOT** install this appliance in a factory-built fireplace that includes instructions stating it has not been tested or should not be used with unvented gas logs.

# INSTALLATION

**IMPORTANT:** Vent-free heaters add moisture to the air. Although this is beneficial, installing heater in rooms without enough ventilation air may cause mildew to form too much moisture. See *Air for Combustion and Ventilation*, pages 7 and 8.

Before beginning assembly or operation of the product, make sure all parts are present. If any part is missing or damaged, do not attempt to assemble, install or operate the product. Contact customer service for replacement parts. Before installing heater, make sure you have the items listed below:

- Hardware package (provided with heater)
- Electric drill with 3/16" drill bit
- Phillips screwdriver

## CHECK GAS TYPE

Be sure your gas supply is right for your heater. Otherwise, call dealer where you bought the heater for proper type heater.

## CLEARANCES TO COMBUSTIBLES

**⚠ WARNING: Maintain the minimum clearances. If possible, provide greater clearances from floor, ceiling, and adjoining wall. Measure from outermost point of heater.**

### Minimum Fireplace Clearance To Combustible Materials

Side Wall 16", Ceiling 42", Front 36"

### LOG SIZING REQUIREMENTS

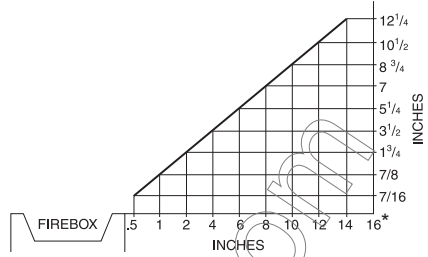
#### Minimum Firebox Size

**18" Log Set:** Height 20", Depth 13", Front Width 29", Rear Width 22"

**24" Log Set:** Height 20", Depth 14", Front Width 30", Rear Width 23"

### Minimum Clearances For Side Combustible Material, Side Wall and Ceiling

- Clearance from the side of the fireplace cabinet to any combustible material and wall should follow diagram in Figure 4.
- Clearance from the top of the fireplace opening to the ceiling must not be less than 42".



\*Minimum 16" from Side Wall

**Figure 4 - Minimum Clearance for Combustible to Wall**

## Minimum Noncombustible Material Clearances

### If Not Using Mantel

*Note: If using a mantel, proceed to If Using Mantel. If not using a mantel, follow the information below.*

You must have noncombustible material(s) above the fireplace opening. Noncombustible materials (such as slate, marble, tile, etc.) must be at least 1/2" thick. With sheet metal, you must have noncombustible material behind it. Noncombustible material must extend at least 12" up (for all models). See Figure 5 for minimum clearances.

### Requirements for Safe Installation

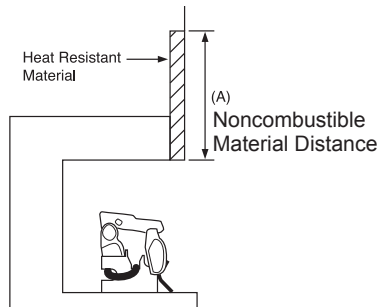
**(A) 12" or more:** Noncombustible material OK.

**(A) Between 8" and 12":**

Install fireplace hood accessory.

**(A) Less than 8":** Noncombustible material must be extended to at least 8".

See *Between 8" and 12"*, above. If you cannot extend material, you must operate heater with flue damper open.



**Figure 5 - Heat Resistant Material (Slate, Marble, Tile, etc.) Above Fireplace**

# INSTALLATION

## If Using Mantel

You must have noncombustible material(s) above the fireplace opening. Noncombustible materials (such as slate, marble, tile, etc.) must be at least 1/2" thick. With sheet metal, you must have noncombustible material behind it. Noncombustible material must extend

at least 8" up. If noncombustible material is less than 12", you must install the fireplace hood accessory. Even if noncombustible material is more than 12", you may need the hood accessory to deflect heat away from your mantel shelf. See Figures 5, 6 and 7, for minimum clearances.

## MANTEL CLEARANCES

In addition to meeting noncombustible material clearances, you must also meet required clearances between fireplace opening and mantel shelf. If you do not meet the clearances listed below, you will need a hood.

### Determining Minimum Mantel Clearance

If you meet minimum clearance between mantel shelf and top of fireplace opening, a hood is not required (see Figure 6).

### Determining Minimum Mantel Clearance When Using a Hood

If minimum clearances in Figure 6 are not met, you must have a hood. When using a hood there are still certain minimum mantel clearances required. Follow minimum clearances shown in Figure 7, when using hood.

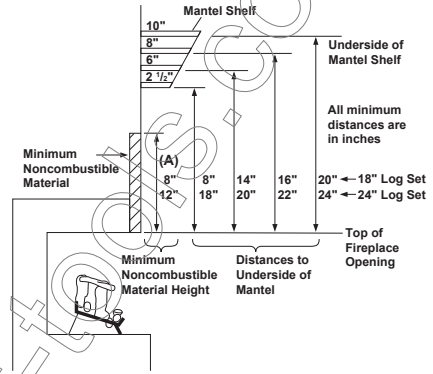


Figure 6 - Minimum Mantel Clearances Without Using Hood

**NOTICE:** Surface temperatures of adjacent walls and mantels become hot during operation. Walls and mantels above the firebox may become hot to the touch. If installed properly, these temperatures meet the requirement of the national product standard. Follow all minimum clearances shown in this manual.

**NOTICE:** If your installation does not meet the minimum clearances shown, you must do one of the following:

- operate the logs only with the flue damper open
- raise the mantel to an acceptable height
- move the mantel

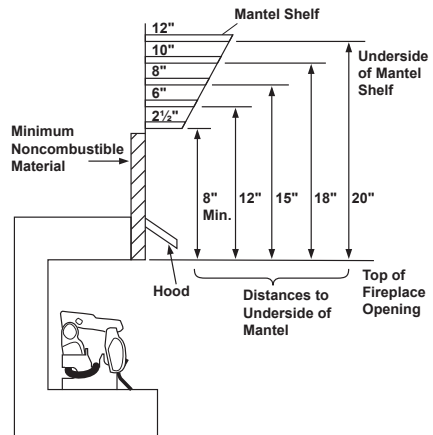
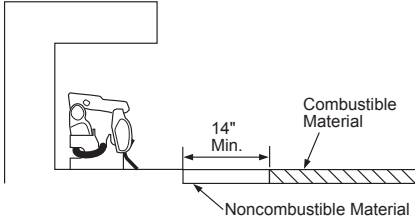


Figure 7 - Minimum Mantel Clearances When Using Hood

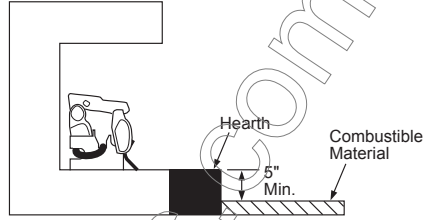
# INSTALLATION

## FLOOR CLEARANCES

- A. If installing appliance on the floor level, you must maintain the minimum distance of 14" to combustibles (see Figure 8).
- B. If combustible materials are less than 14" to the fireplace, you must install appliance at least 5" above the combustible flooring (see Figure 9).



**Figure 8 - Minimum Fireplace Clearances If Installed at Floor Level**



**Figure 9 - Minimum Fireplace Clearances Above Combustible Flooring**

## GAS SELECTION

**This appliance is factory preset for propane/LP gas. No changes are required for connecting to propane/LP. Only a qualified installer or service technician can perform gas selection and connecting to gas supply.**

**CAUTION:** Two gas line installations at the same time are prohibited.

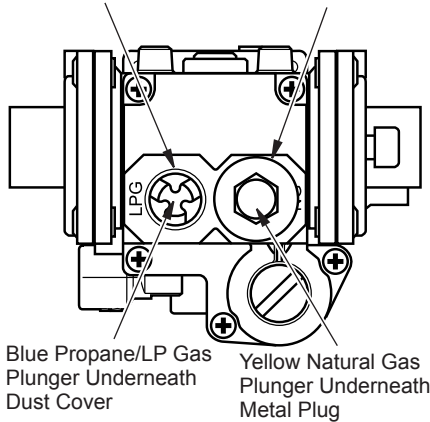
**CAUTION:** To avoid gas leakage for the gas not being used at the inlet of regulator, a qualified installer or service technician must use supplied plug.

**WARNING:** Do not attempt to access or change the setting of the fuel selection means.

3. Determine the type of gas that will be used by the appliance. If your gas type is Propane/LP remove the blue dust cover. If your gas type is Natural gas remove metal plug from natural gas inlet. Remove blue dust cover from propane/LP inlet and install metal plug. This will keep debris out of regulator.

### Access Regulator from Back of Log Set

- Insert Gas Fitting for Propane/LP Gas      Insert Gas Fitting for Natural Gas



**Figure 10 - Gas Regulator**

- The inlet regulator is color coded for identification of the correct gas type. Blue is for propane (LP gas) and yellow is for natural gas.
- The inlet regulator requires a 3/8" NPT threaded fitting. Apply a thread sealant that is rated for use with the type of gas that is being used.

## INSTALLATION

*Note: After the outside plug on the bottom of the regulator has been removed, you will notice a color coded plunger on the inside of the regulator. This is normal. When the inlet connection fitting is inserted and tightened, this plunger will be pushed back by the fitting making all of the adjustments to the gas being supplied.*

4. Apply thread sealant to the threads on the connection fitting. While pushing in, rotate the fitting clockwise until the threads engage the regulator. After the fitting has been hand tightened into the regulator use a wrench to complete tightening of the fitting.

**Make sure the type of gas being used is correct. Check to make sure the connection fitting is in the correct inlet on the regulator. Refer to Connecting to Gas Supply, page 14.**

**If you are using natural gas and the pilot will not light, see Troubleshooting, page 24.**

### INSTALLING HEATER BASE ASSEMBLY

**⚠ WARNING: You must secure this heater to fireplace floor. If not, heater will move when you adjust controls. Moving heater may cause a gas leak.**

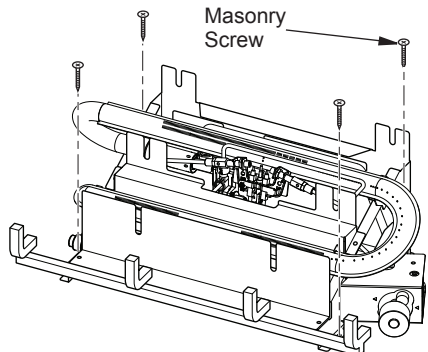
**⚠ WARNING: If installing in a sunken fireplace, special care is needed. You must raise the fireplace floor to allow access to heater control panel. This will insure adequate air flow and guard against sooting and controls being damaged. Raise fireplace floor with noncombustible material. Make sure material is secure.**

**⚠ CAUTION: Do not pick up heater base assembly by burners. This could damage heater. Only handle base assembly by grates.**

**IMPORTANT:** Make sure the heater burners are level. If heater is not level, heater will not work properly.

#### Installation Items Needed

- hardware package (provided with heater)
  - electric drill with 3/16" masonry drill bit
1. Position heater base assembly in fireplace. Center base assembly left to right and front to back inside fireplace.
  2. Mark screw locations through holes in mounting brackets (see Figure 11). If installing in a brick-bottom fireplace, mark screw locations in mortar joint of bricks.
  3. Remove heater base from fireplace.
  4. Drill holes at marked locations using 3/16" drill bit.
  5. Attach base assembly to fireplace floor using two masonry screws provided in hardware package (see Figure 11).
  6. Connect to gas supply. See Connecting To Gas Supply, page 14.



**Figure 11 - Attaching Heater Base to Fireplace Floor**

## INSTALLATION

### CONNECTING TO GAS SUPPLY

**⚠ WARNING:** A qualified service technician must connect heater to gas supply. Follow all local codes.

**⚠ WARNING:** This appliance requires a 3/8" NPT (National Pipe Thread) inlet connection to the pressure regulator.

**⚠ WARNING:** For natural gas, Never connect heater to private (non-utility) gas wells. This gas is commonly known as wellhead gas.

**⚠ CAUTION:** For propane/LP gas, never connect heater directly to the gas supply. This heater requires an external regulator (not supplied). Install the external regulator between the heater and propane/LP supply. Gas supplier provides external regulator for natural gas. The installer provides the external regulator for propane/LP gas.

**⚠ WARNING:** Do not over-tighten gas connections.

**⚠ CAUTION:** Use only new, black iron or steel pipe. Internally tinned copper tubing may be used in certain areas. Check your local codes. Use pipe of 1/2" diameter or greater to allow proper gas volume to heater. If pipe is too small, undue loss of pressure will occur.

**⚠ CAUTION:** For natural gas, check your gas line pressure before connecting heater to gas line. Gas line pressure must be no greater than 9" WC. If gas line pressure is higher, heater regulator damage could occur.

**⚠ CAUTION:** Avoid damage to regulator. Hold gas regulator with wrench when connecting into gas piping and/or fittings.

**⚠ CAUTION:** Use pipe joint sealant that is resistant to gas (Propane/LP or Natural Gas).

Before installing heater, make sure you have the items listed below:

- external regulator for propane/LP unit only (supplied by installer)
- piping (check local codes)
- sealant (resistant to natural gas and propane/LP gas)
- equipment shutoff valve\*
- test gauge connection\*
- sediment trap
- tee joint
- pipe wrench
- flexible gas hose (check local codes)

\* A CSA design-certified equipment shutoff valve with 1/8" NPT tap is an acceptable alternative to test gauge connection. Purchase the optional CSA design certified equipment shutoff valve from your dealer.

## INSTALLATION

### Typical Inlet Pipe Diameters

Use 3/8" black iron pipe or greater. Installation must include an equipment shutoff valve, union, and plugged 1/8" NPT tap. Locate NPT tap within reach for test gauge hook up. NPT tap must be upstream from heater (see Figure 13).

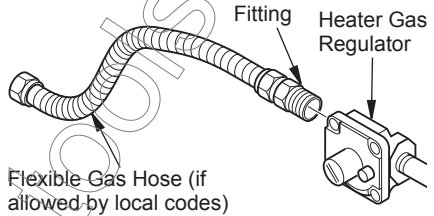
**IMPORTANT:** Install an equipment shutoff valve in an accessible location. The equipment shutoff valve is for turning on or shutting off the gas to the appliance.

For propane/LP installations, apply pipe joint sealant lightly to male threads. This will prevent excess sealant from going into pipe. Excess sealant in pipe could result in clogged heater valves.

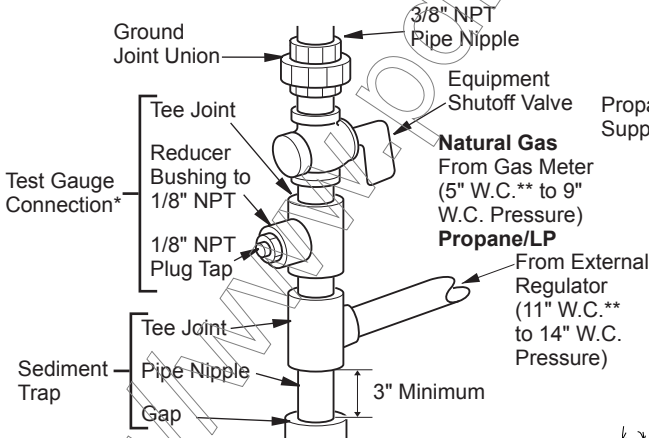
The installer must supply an external regulator. The external regulator will reduce incoming gas pressure. You must reduce incoming gas pressure to between 11" WC and 14" WC. If you do not reduce incoming gas pressure, heater regulator damage could occur. Install external regulator with the vent pointing down as shown in Figure 14. Pointing the vent down protects it from freezing rain or sleet.

Install sediment trap in supply line as shown in Figure 13. Place sediment trap where it is within reach for cleaning. Place sediment trap where trapped matter is not likely to freeze. A sediment trap traps moisture and contaminants. This keeps them from going into heater controls. If sediment trap is not installed or is installed wrong, heater may not run properly.

**⚠ WARNING: Test all gas piping and connections for leaks after installing or servicing. Correct all leaks at once (see page 16).**

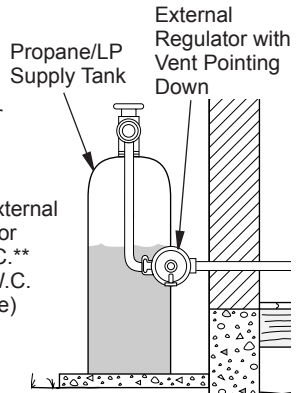


**Figure 12 - Attaching Flexible Gas Hose to Heater Gas Regulator**



**Figure 13 - Gas Connection**

\* Purchase the optional CSA design-certified equipment shutoff valve from your dealer.



**Figure 14 - External Regulator with Vent Pointing Down**

# INSTALLATION

## CHECKING GAS CONNECTIONS

**⚠ WARNING:** Test all gas piping and connections, internal and external to unit, for leaks after installing or servicing. Correct all leaks at once.

**⚠ WARNING:** Never use an open flame to check for a leak. Apply a noncorrosive leak detection fluid to all joints. If bubbles form, there is a leak. Correct all leaks at once.

### PRESSURE TESTING GAS SUPPLY PIPING SYSTEM

#### Test Pressures In Excess Of 1/2 PSIG (3.5 kPa)

1. Disconnect heater with its appliance main gas valve (control valve) and equipment shutoff valve from gas supply piping system. Pressures in excess of 1/2 PSIG will damage heater regulator.
2. Cap off open end of gas pipe where equipment shutoff valve was connected.
3. Pressurize supply piping system by either opening propane/LP supply tank valve for propane/LP gas or opening main gas valve located on or near gas meter for natural gas or using compressed air.
4. Check all joints of gas supply piping system. Apply noncorrosive leak detection fluid to all joints. If bubbles form, there may be a leak.
5. Correct all leaks at once.
6. Reconnect heater and equipment shutoff valve to gas supply. Check reconnected fittings for leaks.

#### Test Pressures Equal To or Less Than 1/2 PSIG (3.5 kPa)

1. Close equipment shutoff valve (see Figure 15).
2. Pressurize supply piping system by either opening propane/LP supply tank valve for propane/LP gas or opening main gas valve located on or near gas meter for natural gas or using compressed air.
3. Check all joints from gas meter to equipment shutoff valve for natural gas or propane/LP supply to equipment shutoff valve for propane/LP (see Figure 16 or 17). Apply a noncorrosive leak detection fluid to all joints. Bubbles forming show a leak.
4. Correct all leaks at once.

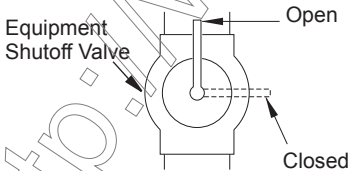


Figure 15 - Equipment Shutoff Valve

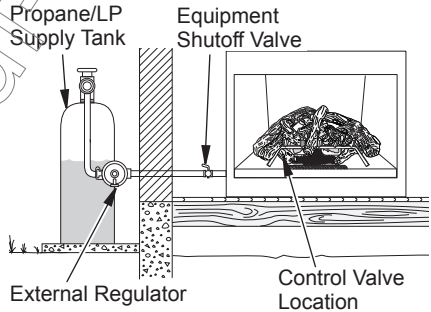


Figure 16 - Checking Gas Joints for Propane/LP Gas

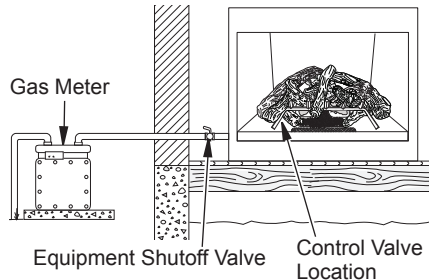


Figure 17 - Checking Gas Joints for Natural Gas



## INSTALLATION

### PRESSURE TESTING HEATER GAS CONNECTIONS

1. Open equipment shutoff valve (see Figure 15, page 16).
2. Open main gas valve located on or near gas meter for natural gas or open propane/LP supply tank valve.
3. Make sure control knob of heater is in the OFF position.
4. Check all joints from equipment shutoff valve to control valve (see Figure 16 or 17, page 16). Apply a noncorrosive leak detection fluid to all joints. Bubbles forming show a leak.
5. Correct all leaks at once.
6. Light heater (see *Lighting Instructions* on page 20). Check all other internal joints for leaks.
7. Turn off heater (see *To Turn Off Gas Appliance*, page 21).

### INSTALLING LOGS

**⚠ WARNING:** Failure to position the parts in accordance with these diagrams or failure to use only parts specifically approved with this heater may result in property damage or personal injury.

**⚠ CAUTION:** After installation, and periodically thereafter, check to ensure that no flame comes in contact with any log. With the heater set to high, check to see if flames contact any log. If so, reposition logs according to the log installation instructions in this manual. Flames contacting logs will create soot.

It is very important to install the logs exactly as instructed. Do not modify logs. Use only logs supplied with heater. Each log is marked with a number. This number will help you to identify the logs when installing. After installing logs, add decorative cinders around the grate base, do not place any decorative cinders on logs or burner.

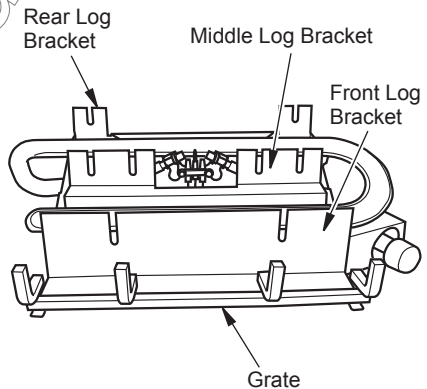


Figure 18 - Heater Base Assembly

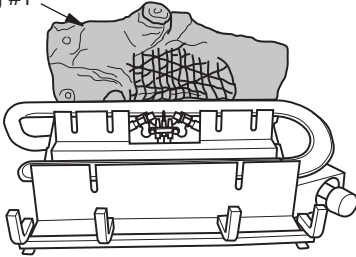
# INSTALLATION

## Model CRHD18T (18" Log Set)

1. Place log #1 onto rear grate bracket (see Figure 19).
2. Place log #2 and log #3 onto middle grate bracket (see Figure 20).
3. Place log #4 and log #5 onto front grate bracket (see Figure 21).
4. Place logs #6, #7 and #8 as shown in Figure 22.

**IMPORTANT:** Make sure logs do not cover any burner ports. It is very important to install the logs exactly as instructed. Do not modify logs. Use only logs supplied with heater.

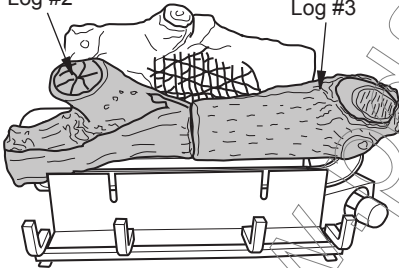
Log #1



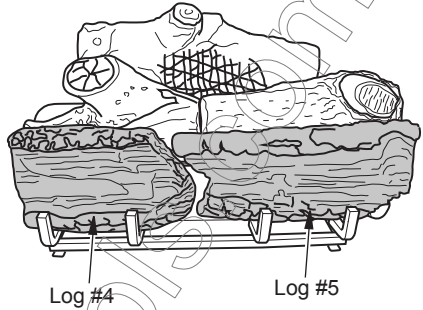
**Figure 19 - Installing Log #1**

Log #2

Log #3



**Figure 20 - Installing Logs #2 and #3**

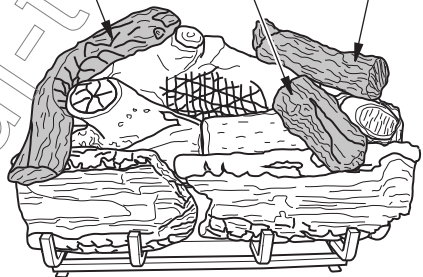


**Figure 21 - Installing Logs #4 and #5**

Log #6

Log #7

Log #8



**Figure 22 - Installing Logs #6, #7 & #8**

# INSTALLATION

## Model CRHD24T (24" Log Set)

1. Place log #1 onto rear grate bracket (see Figure 23).
2. Place log #2 and log #3 onto middle grate bracket (see Figure 24).
3. Place log #4 and log #5 onto front grate bracket (see Figure 25).
4. Place logs #6, #7, #8 and #9 as shown in Figure 26.

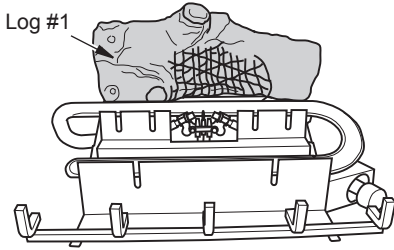


Figure 23 - Installing Log #1

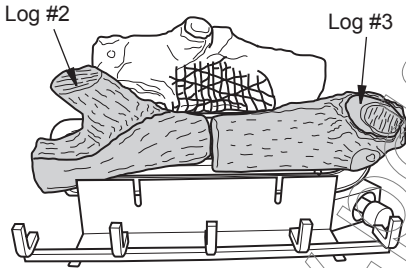


Figure 24 - Installing Logs #2 and #3

**IMPORTANT:** Make sure logs do not cover any burner ports. It is very important to install the logs exactly as instructed. Do not modify logs. Use only logs supplied with heater.

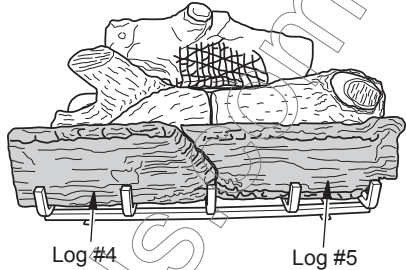


Figure 25 - Installing Logs #4 and #5

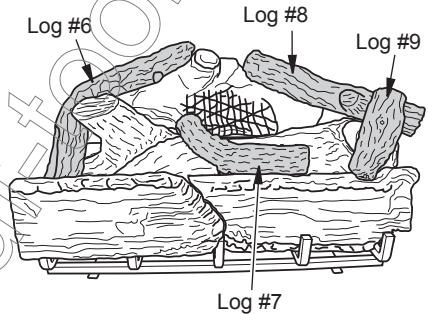


Figure 26 - Installing Logs #6, #7, #8 & #9

## Battery Instructions

**CAUTION:** Do not mix old and new batteries. Do not mix alkaline, standard (carbon - zinc), or rechargeable (nickel - cadmium) batteries. Do not dispose of batteries in fire, batteries may explode or leak.

- Batteries are included.
- Remove batteries when depleted.
- Install/replace the batteries according to the type and quantity stated in table to the right.
- Do not mix old and new batteries. New batteries should be the same brand for best results.

- Be sure to observe proper polarity (+/-) when installing or replacing the batteries. Damage due to improper battery installation may void the warranty on the product.
- For long periods of non-operation, remove batteries from all components for safety.

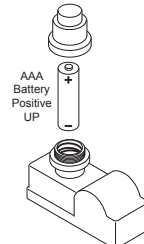


Figure 27 - Installing Battery in Ignitor

## OPERATION

### FOR YOUR SAFETY READ BEFORE LIGHTING

**⚠ WARNING:** If you do not follow these instructions exactly, a fire or explosion may result causing property damage, personal injury or loss of life.

- A. This appliance has a pilot which must be lighted by hand. When lighting the pilot, follow these instructions exactly.
- B. BEFORE LIGHTING smell all around the appliance area for gas. Be sure to smell next to the floor because some gas is heavier than air and will settle on the floor.

#### WHAT TO DO IF YOU SMELL GAS

- Do not try to light any appliance.
- Do not touch any electric switch; do

- not use any phone in your building.
- Immediately call your gas supplier from a neighbor's phone. Follow the gas supplier's instructions.
- If you cannot reach your gas supplier, call the fire department.

- C. Use only your hand to push in or turn the gas control knob. Never use tools. If the knob will not push in or turn by hand, don't try to repair it, call a qualified service technician. Force or attempted repair may result in a fire or explosion.
- D. Do not use this appliance if any part has been under water. Immediately call a qualified service technician to inspect the appliance and to replace any part of the control system and any gas control which has been under water.

### LIGHTING INSTRUCTIONS

**⚠ WARNING:** You must operate this heater with the screen in place. Make sure screen is installed before running heater.

**NOTICE:** During initial operation of new heater, burning logs will give off a paper-burning smell. Orange flame will also be present. Open damper or window to vent smell. This will only last a few hours.

*Note: The first time that the heater is operated after connecting the gas supply, the control knob should be pressed for about thirty (30) seconds. This will allow air to bleed from the gas system. If pilot does not stay lit, refer to Troubleshooting, pages 24 through 27. Also contact a qualified service technician or gas supplier for repairs. Until repairs are made, light pilot with match.*

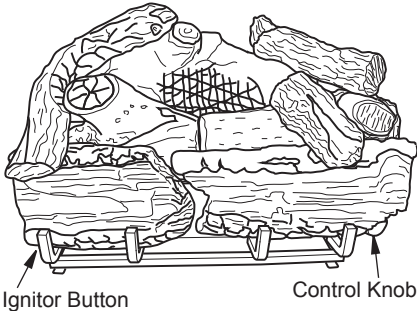
1. STOP! Read the safety information above.
2. Make sure equipment shutoff valve is fully open.
3. Push in control knob slightly and turn clockwise to the OFF position.
4. Wait five (5) minutes to clear out any gas. Then smell for gas around heater and near the floor. If you smell gas, STOP! Follow "B" in the safety information above. If you do not smell gas, go to the next step.
5. Push in control knob slightly and turn counter-clockwise to the PILOT position. Press in control knob for five (5) seconds.

- If control knob does not pop up when released, contact a qualified service technician or gas supplier for repairs.
6. With control knob pressed in, push down and release ignitor button. This will light pilot. The pilot is attached to the rear of the burner. If needed, keep pressing ignitor button until pilot lights.  
*Note: If pilot does not stay lit, refer to Troubleshooting, pages 24 through 27. Also contact a qualified service technician or gas supplier for repairs. Until repairs are made, light pilot with match. To light pilot with match, see Manual Lighting Procedure, page 21.*
  7. Keep control knob pressed in for 30 seconds after lighting pilot. After 30 seconds, release control knob.

*Note: If pilot goes out, repeat steps 3 through 7. This heater has a safety interlocking system. Wait one (1) minute before lighting pilot again.*

## OPERATION

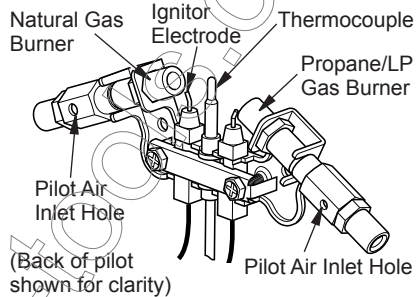
- Turn control knob counterclockwise to the desired heating level. The main burner should light. Set control knob to any heat level between 1 (LO) and 5 (HI).  
*Note: Please wait one minute after shutting off heater to allow the control valve to reset before starting again.*



**Figure 28 - Ignitor Button and Control Knob Locations**

**CAUTION:** Do not try to adjust heating levels by using the equipment shutoff valve.

**WARNING:** If input gas type is NG, make sure NG pilot burner ignites. If input gas type is LP, make sure LP pilot burner ignites.



**Figure 29 - Pilot**

### TO TURN OFF GAS TO APPLIANCE

#### Shutting Off Heater

Turn control knob clockwise to the OFF position.

#### Shutting Off Burner Only (pilot stays lit)

Turn control knob clockwise to the PILOT position.

### THERMOSTATIC CONTROL OPERATION

The thermostatic control used on this model differs from standard thermostats. Standard thermostats simply turn the burner on and off. The thermostat used on this heater senses the room temperature. At times the room may exceed the set temperature. If so, the burner will shut off. The burner will cycle back on when

room temperature drops below the set temperature. The control knob can be set to any comfort level between HIGH (5) and LOW (1).  
*Note: The thermostat sensing bulb measures the temperature depending on housing construction.*

### MANUAL LIGHTING PROCEDURE

- Follow steps 1 through 7 under Lighting Instructions, page 20.
- With control knob in PILOT position, strike match, and hold near pilot. Press in control knob; pilot should light.
- Keep control knob pressed in for 30 seconds after lighting pilot. After 30 seconds, release control knob.
- Make sure the heater screen is in place before operating heater.

## INSPECTING BURNERS

**IMPORTANT:** Owner's should check pilot flame pattern and burner flame pattern often. Incorrect flame patterns indicate the need for cleaning (see Care and Maintenance, page 23) or service.

**⚠ WARNING:** Only a qualified service person should service and repair heater. This includes maintenance requiring replacement or alteration of components.

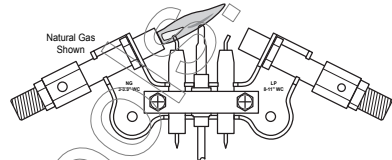
### PILOT FLAME PATTERN

Figure 30 shows a correct pilot flame pattern. Figure 31 shows an incorrect pilot flame pattern. The incorrect pilot flame is not touching the thermocouple. This will cause the thermocouple to cool, which shuts the heater off. If pilot flame pattern is incorrect, as shown in Figure 31

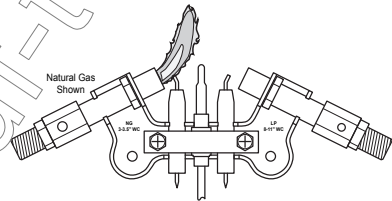
- turn heater off (see To Turn Off Gas to Appliance, page 21)
- see Troubleshooting pages 24 through 27.

**⚠ WARNING:** If yellow tipping occurs, your heater could produce increased levels of carbon monoxide. If the burner flame pattern shows yellow tipping, follow instructions at bottom of this page.

**Notice:** Do not mistake orange flames with yellow tipping. Dirt or other fine particles enter the heater and burn causing brief patches of orange flame.



**Figure 30 - Correct Pilot Flame Pattern (Natural Gas shown)**



**Figure 31 - Incorrect Pilot Flame Pattern (Natural Gas shown)**

### BURNER FLAME PATTERN

Figure 32 shows a correct burner flame pattern. Figure 33 shows an incorrect burner flame pattern. If burner flame pattern is incorrect then:

- turn heater off (see To Turn Off Gas to Appliance, page 21).
- see Troubleshooting pages 24 through 27.

Approx. 3"-6" Above Top of Logs



**Figure 32 - Correct Burner Flame Pattern**

More Than 8" Above Top of Logs



**Figure 33 - Incorrect Burner Flame Pattern**

### BURNER PRIMARY AIR HOLES

Air is drawn into the burner through the holes in the fitting at the entrance to the burner. These holes may become blocked with dust or lint. Periodically inspect these holes for any blockage and clean as necessary. Blocked air holes will create soot.

## CARE AND MAINTENANCE

**⚠ WARNING:** Turn off heater and let cool before servicing.

**⚠ CAUTION:** You must keep control areas, burner, and circulating air passageways of heater clean. Inspect these areas of heater before each use. Have heater inspected yearly by a qualified service technician. Heater may need more frequent cleaning due to excessive lint from carpeting, bedding material, pet hair, etc.

**⚠ WARNING:** Failure to keep the primary air opening(s) of the burner(s) clean may result in sooting and property damage.

### MAIN BURNER

Periodically inspect all burner flame holes with the heater running. All slotted burner flame holes should be open with yellow flame present. All round burner flame holes should be open with a small blue flame present. Some

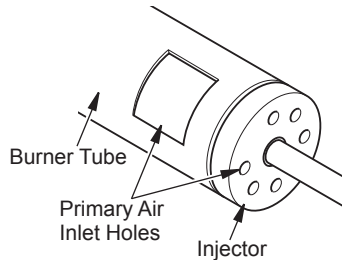
burner flame holes may become blocked by debris or rust, with no flame present. If so, turn off the heater and let it cool, and remove blockage or replace burner. Blocked burner flame holes will create soot.

### BURNER INJECTOR HOLDER AND PILOT AIR INLET HOLE

We recommend that you clean the unit every 2,500 hours of operation or every three months. We also recommend that you keep the burner tube and pilot assembly clean and free of dust and dirt. To clean these parts we recommend using compressed air no greater than 30 PSI. Your local computer store, hardware store, or home center may carry compressed air in a can. You can use a vacuum cleaner in the blow position. If using compressed air in a can, please follow the directions on the can. If you don't follow directions on the can, you could damage the pilot assembly.

1. Shut off the unit, including the pilot. Allow the unit to cool for at least thirty minutes.
2. Inspect burner, pilot and primary air inlet holes on injector for dust and dirt (see Figure 34).
3. Blow air through the ports/slots and holes in the burner. Also clean the pilot assembly.

4. Check the injector holder located at the end of the burner tube again. Remove any large particles of dust, dirt, lint, or pet hair with a soft cloth or vacuum cleaner nozzle.
5. Blow air into the primary air holes on the injector holder.
6. In case any large clumps of dust have now been pushed into the burner. Repeat steps 3 and 4.



**Figure 34 - Burner and Injector Holder**

---

---

## CARE AND MAINTENANCE

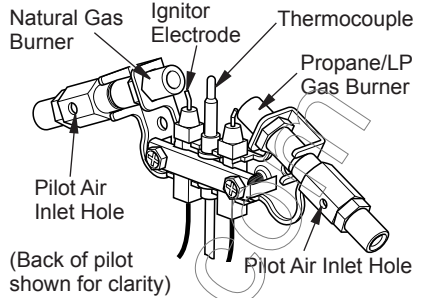
---

---

### ODS/PILOT

Use a vacuum cleaner, pressurized air, or a small, soft bristled brush to clean.

A yellow tip on the pilot flame indicates dust and dirt in the pilot assembly. There is a small pilot air inlet hole about 2" from where the pilot flame comes out of the pilot assembly (see Figure 35). With the unit off, lightly blow air through the air inlet hole. You may blow through a drinking straw if compressed air is not available.



**Figure 35 - Pilot Inlet Air Hole**

### Air Passageways

Use a vacuum cleaner or pressurized air to clean.

### CABINET

#### Exterior

- Use a soft cloth dampened with a mild soap and water mixture.
- Wipe the cabinet to remove dust.

### LOGS

- If you remove logs for cleaning, refer to *Installing Logs*, page 18, to properly replace logs.
- Replace log(s) if broken or chipped (dime-size or larger).

---

---

## TROUBLESHOOTING

---

---

### **⚠ WARNING: If you smell gas:**

- Shut off gas supply.
- Do not try to light any appliance.
- Do not touch any electrical switch; do not use any phone in your building.
- Immediately call your gas supplier from a neighbor's phone. Follow the gas supplier's instructions.
- If you cannot reach your gas supplier, call the fire department.

**⚠ WARNING: Only a qualified service technician should service and repair heater. Make sure that power is turned off before proceeding. Turn off and let cool before servicing.**

**⚠ CAUTION: Never use a wire, needle, or similar object to clean ODS/pilot. This can damage ODS/ pilot unit.**

**IMPORTANT:** Operating heater where impurities in air exist may create odors. Cleaning supplies, paint, paint remover, cigarette smoke, cements and glues, new carpet or textiles, etc., create fumes. These fumes may mix with combustion air and create odors. These odors will disappear over time.

*Note: All troubleshooting items are listed in order of operation.*



## TROUBLESHOOTING

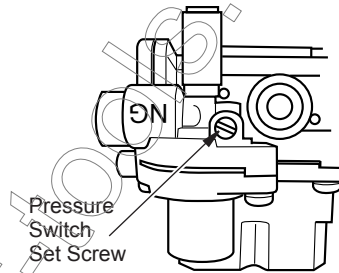
Problem	Possible Cause	Corrective Action
Using natural gas and pilot will not light.	Inlet pressure exceeds 9" WC.	Bypass pressure switch. See instructions below.

### Pressure Switch

When using natural gas (NG), there is a pressure switch that acts to turn off the gas flow to the pilot if the inlet pressure exceeds 9" WC. This is to prevent the operation of the unit on the wrong gas (propane/LP). If your natural gas supply exceeds 9" WC the unit will not operate. Either contact your gas supplier to check and adjust the inlet pressure or a qualified service technician can bypass the pressure switch.

Before attempting to bypass the pressure switch, make sure the type of gas being used is correct. Check to make sure the connection fitting is in the correct inlet on the regulator. Refer to *Connecting to Gas Supply*, page 14. Only a qualified installer should bypass the pressure switch. To bypass the pressure switch locate the set screw on the regulator. Use a small flat bladed screw driver to turn the set screw counterclockwise 2 turns. This will bypass the pressure switch function.

The entire gas delivery piping including connections inside the heater should be leak tested by the qualified installer. After leak testing the qualified installer should light the appliance. Refer to the correct flame pattern as illustrated on page 22. All flame patterns should be safely inside the product. If for any reason they are not, stop use of the appliance and call for repairs.



**Figure 35 - Gas Regulator Pressure Switch**

Problem	Possible Cause	Corrective Action
When ignitor button is pressed in, there is no spark at ODS/pilot.	<ol style="list-style-type: none"> <li>1. Ignitor electrode is positioned wrong. Ignitor electrode is broken.</li> <li>2. Ignitor electrode is not connected to ignitor cable.</li> <li>3. Ignitor cable is pinched or wet.</li> <li>4. Broken ignitor cable.</li> <li>5. Bad piezo ignitor.</li> <li>6. Low battery.</li> </ol>	<ol style="list-style-type: none"> <li>1. Replace electrode.</li> <li>2. Replace ignitor cable.</li> <li>3. Free ignitor cable if pinched by any metal or tubing. Keep ignitor cable dry.</li> <li>4. Replace ignitor cable.</li> <li>5. Replace piezo ignitor.</li> <li>6. Replace battery.</li> </ol>
When ignitor button is pressed in there is a spark at ODS/pilot but no ignition.	<ol style="list-style-type: none"> <li>1. Gas supply is turned off or equipment shutoff valve is closed.</li> <li>2. Control knob not fully pressed in while pressing ignitor button.</li> <li>3. Air in gas lines (new installation or recent gas interruption).</li> <li>4. ODS / pilot is clogged.</li> <li>5. Control knob not in PILOT position.</li> <li>6. Depleted gas supply (propane).</li> </ol>	<ol style="list-style-type: none"> <li>1. Turn on gas supply or open equipment shutoff valve.</li> <li>2. Fully press in control knob while pressing ignitor button.</li> <li>3. Continue holding down control knob. Repeat igniting operation until air is removed.</li> <li>4. Clean ODS/pilot (see <i>Care and Maintenance</i>, page 23) or replace ODS/pilot assembly.</li> <li>5. Turn control knob to PILOT position.</li> <li>6. Contact local propane/LP gas company.</li> </ol>

## TROUBLESHOOTING

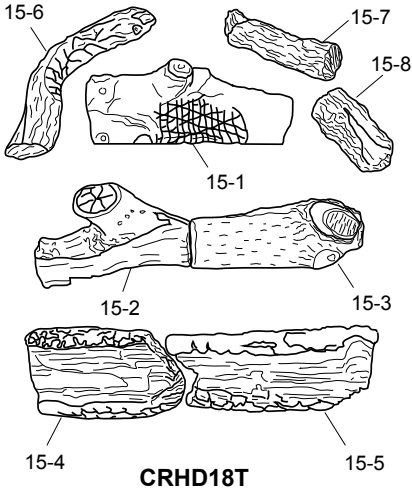
Problem	Possible Cause	Corrective Action
ODS/pilot lights but flame goes out when control knob is released.	<ol style="list-style-type: none"> <li>1. Control knob is not fully pressed in.</li> <li>2. Control knob is not pressed in long enough.</li> <li>3. Equipment shutoff valve is not fully open.</li> <li>4. Thermocouple connection is loose at control valve.</li> <li>5. Pilot flame not touching thermocouple, which allows thermocouple to cool, causing pilot flame to go out. This problem could be caused by one or both of the following: A) Low gas pressure B) Dirty or partially clogged ODS/pilot</li> <li>6. Thermocouple damaged.</li> <li>7. Control valve damaged.</li> </ol>	<ol style="list-style-type: none"> <li>1. Press in control knob fully.</li> <li>2. After ODS/pilot lights, keep control knob pressed in 30 seconds.</li> <li>3. Fully open equipment shutoff valve.</li> <li>4. Hand tighten until snug, and then tighten 1/4 turn more.</li> <li>5. A) Contact local natural or propane/LP gas company  B) Clean ODS/pilot (see <u>Care and Maintenance</u>, page 23) or replace ODS/pilot assembly</li> <li>6. Replace thermocouple.</li> <li>7. Replace control valve.</li> </ol>
Burner does not light after ODS/pilot is lit.	<ol style="list-style-type: none"> <li>1. Burner orifice is clogged.</li> <li>2. Burner orifice diameter is too small.</li> <li>3. Inlet gas pressure is too low.</li> </ol>	<ol style="list-style-type: none"> <li>1. Clean burner orifice (see <u>Care and Maintenance</u>, page 23) or replace burner orifice.</li> <li>2. Replace burner orifice.</li> <li>3. Contact local gas supplier.</li> </ol>
Delayed ignition of burner.	<ol style="list-style-type: none"> <li>1. Manifold pressure is too low.</li> <li>2. Burner orifice is clogged.</li> </ol>	<ol style="list-style-type: none"> <li>1. Contact local gas supplier.</li> <li>2. Clean burner (see <u>Care and Maintenance</u>, page 23) or replace burner orifice.</li> </ol>
Burner backfiring during combustion.	<ol style="list-style-type: none"> <li>1. Burner orifice is clogged or damaged.</li> <li>2. Burner is damaged.</li> <li>3. Gas regulator is damaged.</li> </ol>	<ol style="list-style-type: none"> <li>1. Clean burner orifice (see <u>Care and Maintenance</u>, page 23) or replace burner orifice.</li> <li>2. Replace burner.</li> <li>3. Replace gas regulator.</li> </ol>
Yellow flame during burner combustion.	<ol style="list-style-type: none"> <li>1. Not enough air.</li> <li>2. Gas regulator is defective.</li> <li>3. Inlet gas pressure is too low.</li> </ol>	<ol style="list-style-type: none"> <li>1. Check burner for dirt and debris. If found, clean burner (see <u>Care and Maintenance</u>, page 23).</li> <li>2. Replace gas regulator.</li> <li>3. Contact local gas supplier.</li> </ol>
Gas odor during combustion.	<ol style="list-style-type: none"> <li>1. Foreign matter between control valve and burner.</li> <li>2. Gas leak. (See <u>Warning Statement</u> at top of page 24).</li> </ol>	<ol style="list-style-type: none"> <li>1. Contact a qualified service technician to remove foreign matter.</li> <li>2. Locate and correct all leaks (see <u>Checking Gas Connections</u>, page 16).</li> </ol>

## TROUBLESHOOTING

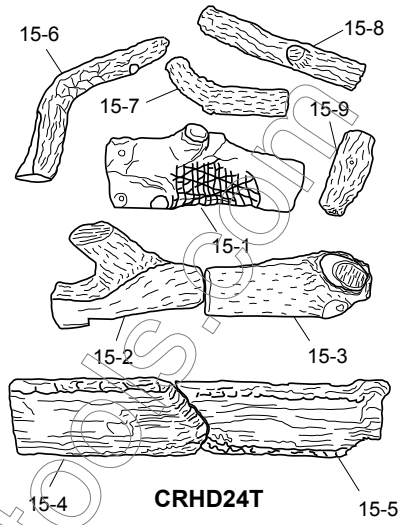
Problem	Possible Cause	Corrective Action
Slight smoke or odor during initial operation.	1. Residues from manufacturing process.	1. Problem will stop after a few hours of operation.
Heater produces a whistling noise when burner is lit.	<ol style="list-style-type: none"> <li>1. Turning control knob to high position when burner is cold.</li> <li>2. Air in gas line.</li> <li>3. Air passageways on heater are blocked.</li> <li>4. Dirty or partially clogged burner orifice.</li> </ol>	<ol style="list-style-type: none"> <li>1. Turn control knob to low position and let warm up for a minute.</li> <li>2. Operate burner until air is removed from line. Have gas line checked by local gas supplier.</li> <li>3. Observe minimum installation clearances (Figure 4, page 10).</li> <li>4. Clean burner (see <i>Care and Maintenance</i>, page 23) or replace burner orifice.</li> </ol>
Heater produces a clicking/ticking noise just after burner is lit or shut off.	1. Metal is expanding while heating or contracting while cooling.	1. This is common with most heaters. If noise is excessive, contact qualified service technician.
White powder residue forming within burner box or on adjacent walls or furniture.	1. When heated, the vapors from furniture polish, wax, carpet cleaners, etc., turn into white powder residue.	1. Turn heater off when using furniture polish, wax, carpet cleaner or similar products.
Heater produces unwanted odors.	<ol style="list-style-type: none"> <li>1. Heater is burning vapors from paint, hair spray, glues, etc. See <i>IMPORTANT</i> statement, page 24.</li> <li>2. Gas leak. See <i>Warning Statement</i> at the top of page 24.</li> <li>3. Low fuel supply.</li> </ol>	<ol style="list-style-type: none"> <li>1. Open a window to ventilate room. Stop using odor causing products while heater is running.</li> <li>2. Locate and correct all leaks (see <i>Checking Gas Connections</i>, page 16).</li> <li>3. Refill supply tank (Propane/LP models).</li> </ol>
Heater shuts off in use (ODS operates).	<ol style="list-style-type: none"> <li>1. Not enough fresh air is available.</li> <li>2. Low line pressure.</li> <li>3. ODS/pilot is partially clogged.</li> </ol>	<ol style="list-style-type: none"> <li>1. Open window and/or door for ventilation.</li> <li>2. Contact local gas supplier.</li> <li>3. Clean ODS/pilot (see <i>Care and Maintenance</i>, page 23).</li> </ol>
Gas odor exists even when control knob is in OFF position.	<ol style="list-style-type: none"> <li>1. Gas leak. See <i>Warning Statement</i> at top of page 24.</li> <li>2. Control valve is defective.</li> </ol>	<ol style="list-style-type: none"> <li>1. Locate and correct all leaks (see <i>Checking Gas Connections</i>, page 16).</li> <li>2. Contact customer service.</li> </ol>
Moisture/condensation noticed on windows.	1. Not enough combustion/ventilation air.	1. Refer to <i>Air for Combustion and Ventilation</i> requirements, page 7.

# PARTS

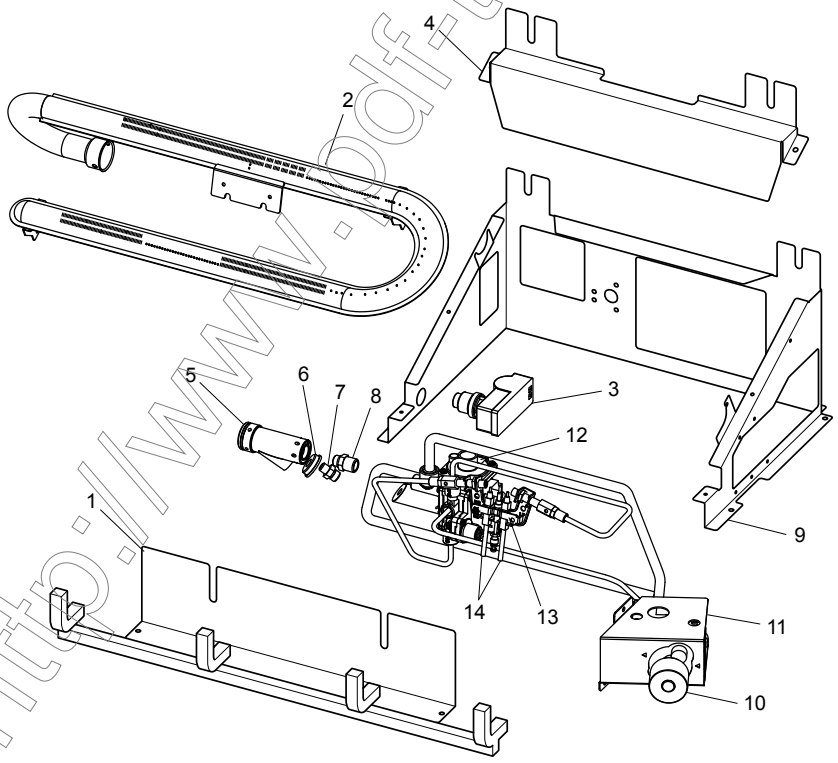
## MODELS CRHD18T AND CRHD24T



**CRHD18T**



**CRHD24T**



## PARTS

### MODELS CRHD18T AND CRHD24T

This list contains replaceable parts for your heater. When ordering replacement parts, follow the instructions listed under Replacement Parts on page 30 of this manual.

ITEM	CRHD18T	CRHD24T	DESCRIPTION	QTY
1	**	**	Grate Assembly	1
2	**	**	Burner Assembly	1
3	PIMDN1-01	PIMDN1-01	Ignitor	1
4	18UDC1005-01	24UDC1005-01	Middle Log Bracket	1
5	RVD88-YJ	RVD88-YJ	"Y" Joint	1
6	QD250T133	QD250T133	Orifice Retainer	1
7	NSNG-005	NSNG-006	NG Orifice	1
8	NSLP-005	NSLP-006	LP Orifice	1
9	**	**	Chassis Base	1
10	STL1001-218-B	STL1001-218-B	Thermostat Assembly	1
11	24UDC1006T-01	24UDC1006T-01	Thermostat Bracket	1
12	RVD88-Y-4/9	RVD88-Y-4/9	Regulator	1
13	ND0310A-400	ND0310A-400	ODS Pilot	1
14	ML073-04	ML073-04	Ignitor Cable	2
15-1	18UDC1008-01	24UDC1008-01	Log 1	1
15-2	18UDC1008-02	24UDC1008-02	Log 2	1
15-3	18UDC1008-03	24UDC1008-03	Log 3	1
15-4	18UDC1008-04	24UDC1008-04	Log 4	1
15-5	18UDC1008-05	24UDC1008-05	Log 5	1
15-6	18UDC1008-06	24UDC1008-06	Log 6	1
15-7	18UDC1008-07	24UDC1008-07	Log 7	1
15-8	18UDC1008-08	24UDC1008-08	Log 8	1
15-9	---	24UDC1008-09	Log 9	1
<b>PARTS AVAILABLE - NOT SHOWN</b>				
	18UDC1012B-01	18UDC1012B-01	Hardware Packet	1

\*\* Not a field replaceable part.

---

---

## REPLACEMENT PARTS

---

---

*Note: Use only original replacement parts. This will protect your warranty coverage for parts replaced under warranty.*

### PARTS UNDER WARRANTY

Contact authorized dealers of this product. If they can't supply original replacement parts, call Customer Service toll free at 1-866-573-0674 for referral information.

When calling Customer Service or your dealer, have ready:

- Your name
- Your address

- Model and serial number of your heater
- How heater was malfunctioning
- Type of gas used (Propane/LP or Natural gas/NG)
- Purchase date
- Usually, we will ask you to return the defective part to the factory

### PARTS NOT UNDER WARRANTY

Contact authorized dealers of this product. If they can't supply original replacement part(s) call Customer Service toll free at 1-866-573-0674 for referral information.

When calling Customer Service have ready:

- Model number of your heater
- The replacement part number

---

---

## ACCESSORIES

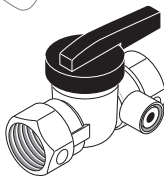
---

---

Purchase these heater accessories from your local dealer. If they can not supply these accessories, contact ProCom Heating, Inc. at 1-866-573-0674 for information.

### EQUIPMENT SHUTOFF VALVE

For all models. Equipment shutoff valve with 1/8" NPT tap.



---

---

## SERVICE HINTS

---

---

### When Gas Pressure Is Too Low

- pilot will not stay lit
- burners will have delayed ignition
- fireplace will not produce specified heat
- propane/LP gas supply might be low (propane/LP units only)

You may feel your gas pressure is too low. If so, contact your local gas supplier.

---

---

## TECHNICAL SERVICE

---

---

You may have further questions about installation, operation, or troubleshooting. If so, contact ProCom Heating, Inc. at 1-866-573-0674.

When calling, please have your model and serial numbers of your heater ready.

---

---

## WARRANTY

---

---

### KEEP THIS WARRANTY

Model \_\_\_\_\_

Serial No. \_\_\_\_\_

Date Purchased \_\_\_\_\_

Keep receipt for warranty verification.

### REGISTER YOUR PRODUCT AT [WWW.USAPROCOM.COM](http://WWW.USAPROCOM.COM)

**IMPORTANT: We urge you to register your product within 10 days of date of installation, complete with entire serial number which can be found on the rating plate. Please fill out the warranty information above for your personal records. Retain this manual for future reference.**

Always specify model and serial numbers when communicating with customer service.

We reserve the right to amend these specifications at any time without notice. The only warranty applicable is our standard written warranty. We make no other warranty, expressed or implied.

### LIMITED WARRANTY

ProCom Heating, Inc. warrants this product to be free from defects in materials and components for ONE (1) year from the date of first purchase, provided that the product has been properly installed by a qualified installer in accordance with all local codes and instructions furnished with the unit, operated and maintained in accordance with all applicable instructions. To make a claim under this warranty, the Bill of Sale or cancelled check must be presented.

### RESPONSIBILITY OF OWNER

This warranty is extended only to the original retail purchaser. This warranty covers the cost of part(s) required to restore this heater to proper operating condition. Warranty part(s) MUST be obtained through ProCom Heating, Inc. who will provide original factory replacement parts. Failure to use original factory replacement parts voids this warranty. The heater MUST be installed by a qualified installer in accordance with all local codes and instructions furnished with the unit.

### WHAT IS NOT COVERED

This warranty does not apply to parts that are not in original condition because of normal wear and tear or parts that fail or become damaged as a result of misuse, accidents, lack of proper maintenance or defects caused by improper installation. Travel, diagnostic cost, labor, transportation and any and all such other costs related to repairing a defective heater will be the responsibility of the owner.

TO THE FULL EXTENT ALLOWED BY THE LAW OF THE JURISDICTION THAT GOVERNS THE SALE OF THE PRODUCT, THIS EXPRESS WARRANTY EXCLUDES ANY AND ALL OTHER EXPRESSED WARRANTIES AND LIMITS THE DURATION OF ANY AND ALL IMPLIED WARRANTIES. INCLUDING WARRANTIES OF MERCHANTABILITY AND FITNESS FOR A PARTICULAR PURPOSE TO ONE (1) YEAR ON ALL COMPONENTS FROM THE DATE OF FIRST PURCHASE. PROCOM HEATING, INC.'S LIABILITY IS HEREBY LIMITED TO THE PURCHASE PRICE OF THE PRODUCT AND PROCOM HEATING, INC. SHALL NOT BE LIABLE FOR ANY OTHER DAMAGES WHATSOEVER INCLUDING INDIRECT, INCIDENTAL OR CONSEQUENTIAL DAMAGES.

Some states do not allow a limitation on how long an implied warranty lasts or an exclusion or limitation of accidental or consequential damages, the above limitation on implied warranties, or exclusion or limitation on damages may not apply to you.

This warranty gives you specific legal right, and you may also have other rights that vary from state to state.



ProCom Heating, Inc.  
Bowling Green, KY 42101  
[www.usaprocom.com](http://www.usaprocom.com)  
1-866-573-0674

200133-01  
Rev. A  
04/14





# LEÑOS A GAS SIN VENTILAS

## MANUAL DE FUNCIONAMIENTO E INSTALACIÓN DEL PROPIETARIO

MODELOS  
CRHLD18TB Y CRHLD24TB



**2 Gas Options**  
Liquid Propane or Natural Gas



US

**⚠ ADVERTENCIA:** si la información contenida en este manual no se sigue al pie de la letra, se pueden producir un incendio o una explosión que podrían ocasionar daños a la propiedad, lesiones personales o la pérdida de la vida.

- No guarde ni utilice gasolina u otros vapores y líquidos inflamables cerca de este aparato ni de cualquier otro.
- **QUÉ HACER SI PERCIBE OLOR A GAS**
  - No intente encender ningún aparato.
  - No toque ningún interruptor eléctrico; no use ningún teléfono en el edificio.
  - Llame inmediatamente a su proveedor de gas desde el teléfono de algún vecino. Siga las instrucciones del proveedor de gas.
  - Si no puede localizar al proveedor de gas, llame al departamento de bomberos.
- La instalación y el servicio deben ser realizados por un instalador capacitado, una agencia de servicio o el proveedor de gas.

**⚠ ADVERTENCIA:** este aparato está equipado para funcionar con gas (propano y natural). No se permite convertir más que a gas natural o gas propano.



**¿Preguntas, problemas, piezas faltantes?** Antes de volver a la tienda, llame a nuestro Departamento de Servicio al Cliente al 1-866-573-0674, de lunes a viernes de 7:30 a.m. a 4:15 p.m., Hora del Centro, o envíe un correo electrónico a [customerservice@usaprocom.com](mailto:customerservice@usaprocom.com).

## TABLA DE CONTENIDO

Seguridad .....	35	Instalación .....	42
Agencia De Instalación Calificada .....	37	Funcionamiento .....	54
Especificaciones .....	37	Inspección del calentador .....	57
Características Del Producto .....	38	Cuidado y mantenimiento .....	58
Identificación Del Producto .....	38	Solución de problemas .....	60
Códigos Locales .....	39	Piezas de repuesto .....	65
Desembalaje .....	39	Accesorios .....	65
Vapor De Agua: Un Producto Derivado de Los Calentadores de Habitación		Consejos para servicio .....	65
Sin Ventilación .....	39	Servicio técnico .....	65
Aire para combustión y ventilación .....	40	Piezas .....	66
		Garantía .....	68

### GUARDE ESTE MANUAL

**INSTALADOR: Deje este manual con el aparato.  
CONSUMIDOR: Conserve este manual para  
referencias futuras.**

Éste es un calentador de llama de gas sin ventilación. Utiliza aire (oxígeno) de la habitación en la que está instalado. Se deben tomar las medidas necesarias para garantizar que hay suficiente aire para combustión y ventilación. Consulte la sección Aire para combustión y ventilación en la página 40 de este manual.

**⚠ ADVERTENCIA:** La instalación, ajuste, alteración, servicio o mantenimiento inadecuados pueden provocar lesiones o daños a la propiedad. Consulte este manual para conocer los procedimientos correctos de instalación y de operación. Para obtener asistencia o información adicionales consulte a un instalador capacitado, agencia de servicio o al proveedor de gas.

Este aparato puede ser instalado en una casa móvil con ubicación permanente y adquirida en el mercado de posventa\*, siempre que no esté prohibido por los códigos locales.

Este dispositivo es sólo para su uso con propano o gas natural. Este dispositivo está equipado con un medio simple para cambiar entre propano y gas natural. No se permite la conversión de campo por cualquier otro medio, incluido el uso de un kit.

\* Mercado de posventa: venta completada por parte del fabricante, sin fines de reventa

**IMPORTANTE:** lea este manual del propietario cuidadosa y completamente antes de intentar ensamblar, operar o dar servicio a este calentador. El uso inadecuado de este calentador puede causar daños a la propiedad, lesiones graves o la muerte por quemaduras, incendio, explosión, electrocución e intoxicación con monóxido de carbono. Si no se siguen estas instrucciones se anulará la garantía.

La instalación y reparación de este producto deben estar a cargo sólo de personal calificado para la instalación, una empresa de servicio o el proveedor de gas local.

**⚠ ADVERTENCIA:** Mantenga el área del aparato limpia y libre de materiales combustibles, gasolina y otros vapores y líquidos inflamables.

**⚠ ADVERTENCIA:** Este dispositivo se puede utilizar con propano o gas natural. Se envía desde la fábrica ajustada para su uso con propano.

**⚠ PELIGRO:** ¡La intoxicación con monóxido de carbono puede resultar en la muerte!

**Intoxicación con monóxido de carbono:** los síntomas iniciales de la intoxicación con monóxido de carbono son semejantes a los de la gripe, con dolores de cabeza, mareos y/o náusea. Si usted presenta estos síntomas, es posible que el calentador no esté funcionando correctamente. ¡Respire aire fresco inmediatamente! Haga que le den servicio

al calentador. El monóxido de carbono afecta más algunas personas que a otras. Las más afectadas son mujeres embarazadas, personas con enfermedades del corazón o de los pulmones o anemia, aquellas bajo la influencia del alcohol y aquellas a grandes altitudes.

**Gas natural y propano o gas LP:** el gas natural y propano o gas LP son gases inodoros. Al gas propano se le agrega un agente con olor. El olor le ayuda a detectar las fugas de gas. Sin embargo, el olor que se añade al gas puede desvanecerse. Es posible que haya gas presente aunque no haya ningún olor.

**⚠ ADVERTENCIA:** Cualquier cambio a este calentador o a sus controles puede ser peligroso.

**⚠ ADVERTENCIA:** No permita que los ventiladores soplen directamente hacia la chimenea. Evite corrientes de aire que alteren los patrones de las llamas del quemador.

**⚠ ADVERTENCIA:** No utilice un aditamento de ventilador o de intercambio de calor, ni ningún otro accesorio que no esté aprobado para usarse con este calentador.

**⚠ ADVERTENCIA:** Debido a las altas temperaturas generadas por este aparato, éste se debe colocar fuera de las rutas de paso y alejado de muebles y cortinas.

**⚠ ADVERTENCIA:** No coloque ropa ni otros materiales inflamables sobre el aparato ni cerca del mismo. Nunca coloque ningún objeto sobre el calentador.

**⚠️ ADVERTENCIA:** El juego de leños alcanza temperaturas muy altas cuando el calentador está en funcionamiento. Mantenga a niños y adultos alejados de las superficies calientes para evitar quemaduras o que la ropa se encienda. El calentador permanecerá caliente durante algún tiempo después de que se ha apagado. Permita que la superficie se enfríe antes de tocarla.

**⚠️ ADVERTENCIA:** Supervise cuidadosamente a los niños pequeños cuando estén en la habitación en la que se encuentra el calentador.

**⚠️ ADVERTENCIA:** Debe operar el juego de leños con la rejilla colocada en su lugar.

1. No ponga los tanques de suministro de propano o gas LP dentro de ninguna estructura. Sitúe los tanques de suministro de propano o gas LP en el exterior.
2. Este calentador no debe ser instalado en un dormitorio o un baño.
3. Este calentador necesita ventilación con aire fresco del exterior para funcionar correctamente. Este calentador tiene un sistema de apagado de seguridad con detección de agotamiento de oxígeno (ODS). El ODS apaga el calentador cuando no hay suficiente aire fresco. Consulte [Aire para combustión y ventilación](#) en la página 40. Si el calentador continúa apagándose, consulte [Solución de problemas](#), en la página 60.
4. Mantenga todas las entradas de aire del frente y fondo del calentador limpias y libres de escombros. Esto asegurará aire suficiente para la combustión.
5. Si el calentador se apaga, no lo vuelva a encender hasta que se le haya proporcionado aire fresco del exterior. Si el calentador continúa apagando se deberá ser revisado por personal calificado.
6. No haga funcionar el calentador
  - donde se utilicen o almacenen líquidos o vapores inflamables
  - en condiciones con mucho polvo
7. Apague el calentador antes de usar pulidores de muebles, ceras, limpiadores de alfombras o productos parecidos. Si se calientan, los vapores que se desprenden de estos productos pueden producir un residuo de polvo blanco dentro de la caja del calentador, o en las paredes y los muebles adyacentes.
8. No use este calentador si alguna de sus partes estuvo sumergida en agua. Llame inmediatamente a un técnico capacitado de servicio para que inspeccione el calentador y para que reemplace las piezas del sistema de control o los controles de gas que hayan estado sumergidos en agua.
9. Apague el calentador y déjelo enfriar antes de cualquier reparación. Sólo un técnico calificado debe realizar el mantenimiento o reparar el calentador.
10. Hacer funcionar el calentador a alturas superiores a 1,371 m (4,500 pies) puede ocasionar que el piloto se apague.
11. Para evitar problemas de rendimiento en los modelos de propano o gas LP, no use tanques de propano o gas LP de menos de 45 kg (100 libras) de capacidad.
12. No utilice este calentador como un calentador de leña. Use sólo los leños que incluye el calentador.
13. Los combustibles sólidos no deben quemarse en una chimenea en la que esté instalado el juego de leños de tiro natural. No utilice este calentador para cocinar alimentos o quemar papel u otro tipo de combustible sólido.
14. Para evitar que se produzca hollín, siga las instrucciones (consulte la sección [Cuidado y mantenimiento](#), página 58).
15. No agregue más leños ni ornamentos, como piñas, vermiculita o lana mineral, pues ellos facilitan la producción de hollín. No agregue roca de lava alrededor de la base. La roca y los desechos pueden caer en el área de control del calentador. Después de realizarle mantenimiento al calentador, siempre cambie la malla antes de usarlo.

## SEGURIDAD

16. Este calentador de leños está diseñado para no producir humo. Si pareciera que los leños producen humo, apague el calentador y llame a un técnico calificado. *Nota: durante el primer uso, es posible que haya un poco de humo debido al curado de los leños y a la combustión de los residuos de fabricación.*
17. Si la chimenea tiene puertas de vidrio, nunca use este calentador con las puertas cerradas. Si lo hace, el calor se acumulará dentro de la chimenea y hará que el vidrio

estalle. Si la abertura de la chimenea tiene respiraderos en la base, debe abrirlos antes de usar el juego de leños. Siempre use el calentador con las puertas de vidrio completamente abiertas.

18. No haga funcionar el calentador si alguno de los leños está roto. No haga funcionar el calentador si alguno de los leños está astillado (del tamaño de una moneda de 10 centavos o más grande).

## AGENCIA DE INSTALACIÓN CALIFICADA

La instalación y el reemplazo de tuberías de gas, de equipos o de accesorios para la utilización de gas y la reparación y el mantenimiento de los equipos deben estar a cargo sólo de una agencia calificada. El término "agencia calificada" significa cualquier persona, empresa, corporación o compañía que, en persona o por medio de un representante, se dedique a y sea responsable de:

- Instalar, probar o reemplazar tuberías de gas o
- Conectar, instalar, probar, reparar o realizar mantenimiento de equipos; que tenga experiencia en este tipo de trabajos; que esté al tanto de todas las precauciones necesarias y que cumpla con todas las exigencias de las autoridades que tienen jurisdicción.

## ESPECIFICACIONES

Modelo	CRHD18T		CRHD24T	
Encendido	Piezoeléctrico			
Tipo de gas	Natural	Propano/LP	Natural	Propano/LP
Índice de entrada	30,000 Btu/Hr	30,000 Btu/Hr	32,000 Btu/Hr	32,000 Btu/Hr
Presión del tubo múltiple	4" de c.a.	9" de c.a.	4" de c.a.	9" de c.a.
Presión de entrada de gas* (pulg. de c.a.)	Máx. 9" Mín. 5"	Máx. 14" Mín. 11"	Máx. 9" Mín. 5"	Máx. 14" Mín. 11"

(\*Para propósitos de ajuste de entrada)

---

---

## CARACTERÍSTICAS DEL PRODUCTO

---

---

Este juego de leños fue probado y aprobado por la norma ANSI Z21.11.2 para los calentadores sin ventilación y se puede usar con el regulador de tiro cerrado. Los códigos locales y estatales de algunas áreas prohíben el uso de calentadores de tiro natural.

### PILOTO DE SEGURIDAD

El calentador posee un piloto que cuenta con un sistema de apagado de seguridad por medio de un sensor de agotamiento de oxígeno (ODS). El sensor de agotamiento de oxígeno del piloto apaga el calentador si no hay suficiente cantidad de aire fresco.

### SISTEMA DE ENCENDIDO PIEZOELECTRICO

El calentador cuenta con un sistema de control piezoeléctrico. Requiere baterías AAA (incluida).

### CONTROL DEL CALOR POR TERMOSTATO

El control apaga y enciende el quemador de forma automática por ciclos para mantener una temperatura ambiente deseada.

### 2 OPCIONES DE GAS DISPONIBLES

El calentador está diseñado para funcionar con gas propano o con gas natural. El calentador es enviado de fábrica listo para conectarse a gas propano. Para cambiarlo fácilmente a gas natural, el instalador calificado debe seguir las instrucciones de la página 46 y las indicaciones que aparecen en el calentador.

---

---

## IDENTIFICACIÓN DEL PRODUCTO

---

---



**Figura 1 - Sin Ventilas juego de leños**

---

---

## CÓDIGOS LOCALES

---

---

Instale y use el calentador con cuidado. Siga todos los códigos locales. A falta de códigos locales, utilice la última edición del *Código Nacional de Gas Combustible, ANSI Z223.1/ NFPA 54\**.

\*Disponibile en:

American National Standards Institute. Inc.  
1430 Broadway  
New York, NY 10018, EE.UU.  
National Fire Protection Association, Inc.  
Batterymarch Park  
Quincy, MA 02269, EE.UU.

*Nota: cuando se requieran los leños decorativos ventilados enumerados, la operación del termostato no está permitida.*

**Estado de Massachusetts:** la instalación la debe realizar un plomero o un instalador de gas con licencia para ejercer en el estado de Massachusetts.

Los vendedores de calentadores complementarios de interiores a base de propano o de gas natural y sin ventilación, deben proporcionar a cada cliente una copia del 527 CMR 30 al realizar la venta.

En el estado de Massachusetts está prohibido instalar productos de gas sin ventilación en dormitorios y baños.

---

---

## DESEMBALAJE

---

---

1. Quite los leños y la base ensamblada del quemador de la caja. *NOTA: no levante la base ensamblada del quemador mediante los quemadores, ya que esto podría dañar el calentador. Siempre maneje la base ensamblada mediante la rejilla.*
2. Retire todo el embalaje de protección colocado en los leños y el calentador para su envío.
3. Verifique que no se hayan producido daños en ninguno de los artículos durante el transporte. Si el calentador está dañado, informe de inmediato al distribuidor a quien se lo compró.

---

---

## VAPOR DE AGUA: UN PRODUCTO DERIVADO DE LOS CALENTADORES DE HABITACIÓN SIN VENTILACIÓN

---

---

El vapor de agua es un producto derivado de la combustión del gas. Un calentador de habitación sin ventilación produce aproximadamente 29,57 ml (1 onza) de agua por cada 1,000 BTU (0,29 kW) de entrada de gas por hora. Los calentadores de habitación sin ventilación son recomendables como calefacción suplementaria (una habitación) más que como fuente principal de calefacción (una casa entera). En la mayoría de las aplicaciones de calefacción suplementaria, el vapor de agua no constituye un problema. En la mayoría de las aplicaciones, el vapor de agua contribuye a la baja humedad de la atmósfera que se experimenta en climas fríos.

Los siguientes pasos asegurarán que el vapor de agua no se convierta en un problema:

1. Asegúrese de que el calentador tenga el tamaño adecuado para la aplicación, incluidas la combustión y la circulación adecuadas del aire.
2. Si hay humedad elevada, se puede utilizar un deshumidificador para ayudar a reducir el contenido de vapor de agua del aire.
3. No utilice un calentador de habitación sin ventilación como fuente principal de calefacción.

**⚠ ADVERTENCIA:** Este calentador no se debe instalar en un espacio reducido o excepcionalmente hermético a menos que se tomen las precauciones necesarias para la combustión adecuada y ventilación de aire. Lea las instrucciones siguientes para asegurarse de aire fresco para éste y otros aparatos que queman combustible en su hogar.

Las casas de hoy se construyen más energía eficiente que nunca. Nuevos materiales, mejor aislamiento y los nuevos métodos de construcción ayudan a reducir la pérdida de calor en los hogares. Los propietarios de viviendas burletes y calafateo alrededor de las ventanas y puertas para mantener el aire frío y el aire caliente adentro. Durante la temporada de calor, los dueños de casa quieren que sus casas lo más hermética posible.

Mientras que es bueno para hacer su hogar de energía eficiente, su hogar necesita respirar. El aire fresco debe entrar a su casa. Todos los aparatos que queman combustible necesitan aire fresco para la combustión y la ventilación adecuada.

Los extractores de aire, chimeneas, secadoras de ropa y aparatos que queman combustible toman aire de la casa durante su funcionamiento. Usted debe proporcionar aire fresco adecuado para estos aparatos. Esto asegurará una adecuada ventilación de los aparatos que queman combustible ventilados.

**⚠ ADVERTENCIA:** Este calentador no se debe instalar en una habitación o espacio a menos que el volumen requerido de aire de combustión en interiores es proporcionada por el método descrito en el *Código Nacional de Gas Combustible, ANSI Z223.1/NFPA 54*, el *Fuel Gas Code Internacional* o aplicable códigos locales.

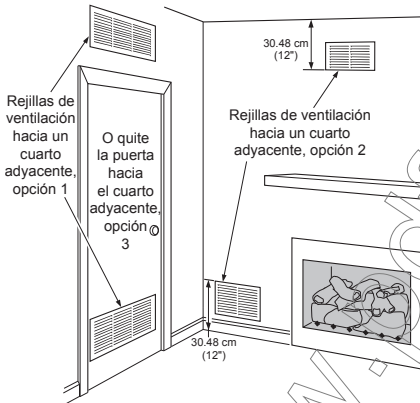
**⚠ ADVERTENCIA:** Si la zona en la que la estufa se puede operar no cumple con el volumen requerido de aire de combustión en interiores, combustión y de ventilación serán facilitados por uno de los métodos descritos en el *Código Nacional de Gas Combustible, ANSI Z223.1/NFPA 54*, el *Fuel Gas Code Internacional* o con los códigos locales aplicables.



## AIRE PARA VENTILACIÓN

### Aire del interior de la construcción para ventilación

Este aire fresco viene de un espacio adyacente no confinado. Cuando se ventila mediante un espacio adyacente no confinado, debe haber dos aberturas permanentes en la pared que está entre los dos espacios: una abertura 30.4 cm (12") del techo y otra 30.4 cm (12") del piso (consulte las opciones 1 y 2, figura 2). También se puede quitar la puerta de la habitación adyacente (consulte la opción 3, figura 2). Consulte el *Código Nacional de Gas Combustible, ANSI Z223.1/NFPA 54, Aire para combustión y ventilación* para conocer el tamaño requerido de las rejillas o los conductos de ventilación.

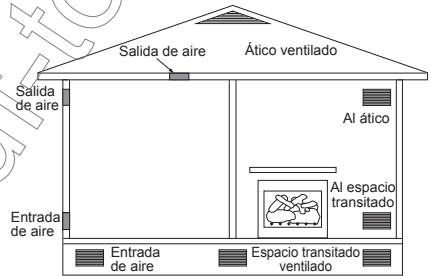


**Figura 2 - Aire del interior de la construcción para ventilación**

### Aire del exterior para ventilación

Proporcione aire fresco adicional mediante el uso de rejillas o conductos de ventilación. Debe haber dos aberturas permanentes: una a 30.48 cm (12") del techo y otra a 30.48 cm (12") del suelo. Conecte estos elementos directamente al exterior o a los espacios que estén abiertos al exterior. Estos espacios incluyen áticos y espacios debajo del piso de la casa. Consulte el *Código Nacional de Gas Combustible, ANSI Z223.1/NFPA 54, Aire para combustión y ventilación* para conocer el tamaño requerido de las rejillas o los conductos de ventilación.

**IMPORTANTE:** No haga aberturas de entrada o de salida de aire hacia el ático si éste tiene ventilación eléctrica controlada por un termostato. El aire caliente que entre al ático activará la ventilación eléctrica.



**Figura 3 - Aire del exterior para ventilación**

## INSTALACIÓN

**AVISO:** Este calentador está diseñado para utilizarse como calefacción adicional. Use este calentador junto con su sistema de calefacción principal. No instale este calentador como fuente de calefacción principal. Si tiene un sistema de calefacción central, puede activar el ventilador de circulación del sistema mientras utiliza el calentador. Esto ayudará a que el calor circule por toda la casa. En caso de una interrupción de la energía eléctrica, puede usar este calentador como su fuente de calefacción principal.

**⚠ ADVERTENCIA:** Un técnico calificado debe realizar la instalación. Respete todos los códigos locales.

**⚠ ADVERTENCIA:** Antes de instalarla en una chimenea para quemar combustible sólido, haga que un limpiador de chimeneas calificado limpie el tiro y el hogar de la chimenea para retirar hollín, creosota, cenizas y pintura suelta. La creosota se encenderá si se calienta mucho. Un tiro de chimenea sucio podría crear y distribuir hollín dentro de la casa. Inspeccione el tiro y el interior de la chimenea en busca de daños. Si está dañado, repare el tiro antes de hacer funcionar el calentador.

**⚠ ADVERTENCIA:** Selle las ventilaciones de aire fresco que pueda haber en el piso o paredes de la chimenea y limpie los depósitos de ceniza de las puertas de la misma. De lo contrario, el aire podría apagar el piloto u ocasionar que el hollín entre al piloto. Utilice sellador resistente al calor. No selle la compuerta del tiro de la chimenea.

**⚠ ADVERTENCIA:** Nunca instale el calentador

- en un dormitorio o en un baño
- en un vehículo recreativo
- donde cortinas, muebles, ropa o otros objetos inflamables estén a menos de 0.914 m (36") de las partes anterior, o 1 m (42") de las superior, o 0.4 m (16") laterales del calentador.
- en áreas de mucho tráfico
- en áreas con mucho viento o con corrientes fuertes de aire

**⚠ PRECAUCIÓN:** Este calentador crea corrientes de aire caliente. Estas corrientes mueven el calor hacia la superficie de las paredes próximas al calentador. La instalación del calentador cerca de recubrimientos de pared de vinilo o tela, o la operación del calentador en lugares donde existan impurezas en el aire (como humo de tabaco, velas aromáticas, líquidos limpiadores, lámparas de aceite o de queroseno, entre otros), puede manchar las paredes o producir olores.

## INSTALACIÓN

**AVISO:** Los códigos locales o estatales pueden permitir el funcionamiento de este artefacto solamente en una configuración de ventilación. Revise los códigos locales o estatales.

**⚠️ ADVERTENCIA:** Este artefacto está diseñado para instalarse sólo en chimeneas de mampostería o de fabricación industrial UL 127 que quemen combustibles sólidos o en un espacio cerrado de la cámara de combustión sin ventilación homologado. Excepción: **NO** instale este artefacto en una chimenea de fabricación industrial cuyas instrucciones establecen que no se ha testeado o que no debería ser usado con leños a gas sin ventilación.

**IMPORTANTE:** Los calentadores sin ventilación añaden humedad al aire. Aunque esto es benéfico, la instalación del calentador en habitaciones sin suficiente aire de ventilación puede ocasionar la formación de moho debido al exceso de humedad. Consulte Aire para combustión y ventilación en la página 40.

Antes de ensamblar u operar el producto, asegúrese de tener todas las piezas. No intente ensamblar, instalar ni usar el producto si falta alguna pieza o si éstas están dañadas. Póngase en contacto con el Departamento de Servicio al Cliente para obtener piezas de repuesto.

Antes de instalar el calentador, asegúrese de que tiene las opciones siguientes:

- El paquete de partes metálicas (se proporciona junto con el calentador)
- Taladro eléctrico con broca de 3/16"
- Destornillador Phillips

### VERIFIQUE EL TIPO DE GAS

Asegúrese de que el suministro de gas es apropiado para el calentador. De lo contrario, llame al distribuidor donde compró el calentador para el calentador de tipo adecuado.

### DISTANCIA DE SEPARACIÓN DE COMBUSTIBLES

**⚠️ ADVERTENCIA:** Mantenga las distancias mínimas. Si es posible, proporcione distancias mayores respecto al suelo, al techo y a las paredes adyacentes. Mida desde el punto más exterior del calentador.

#### Distancia de separación mínima de la chimenea de materiales combustibles

Pared lateral 40,64 cm (16"),  
Techo 106,68 cm (42"), Anterior 91,4 cm (36")

#### REQUISITOS POR TAMAÑO DEL LEÑO

##### Distancias mínimas del calentador

**45,7 cm (18") Log Set:**

Altura 50,8 cm (20"),

Profundidad 33 cm (13"),

Ancho parte anterior 73,7 cm (29"),

Ancho parte posterior 55,9 cm (22")

**61 cm (24") Juego de leños:**

Altura 50,8 cm (20"),

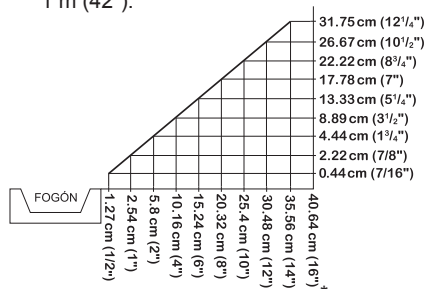
Profundidad 35,6 cm (14"),

Ancho parte anterior 76,2 cm (30"),

Ancho parte posterior 58,4 cm (23")

#### Distancias mínimas de los alrededores para materiales combustibles, paredes y techo

- A. Las distancias mínimas desde los lados del gabinete de la chimenea hacia cualquier material combustible y paredes deben ser las que se indican en el diagrama de la figura 4.
- B. Las distancias mínimas a partir de la parte superior de la abertura del calefactor hacia el techo no deben ser menores de 1 m (42").



\*Mínimo 40.64 cm (16") de la pared lateral

**Figura 4 - Distancia mínima del combustible a la pared**

## INSTALACIÓN

### Distancias mínimas para materiales no combustibles

#### Quando no se utiliza repisa

*Nota: si utiliza repisa continúe en Cuando se utiliza repisa. Si no utiliza repisa, siga la información en esta página.*

El material que está arriba de la abertura de la chimenea debe ser no combustible. El material no combustible, (por ejemplo, cantera, mármol, azulejo, etc.), debe ser de por lo menos 1.27 cm (1/2") de ancho. Cuando utilice lámina metálica debe colocar material no combustible detrás de ésta. El material no combustible debe abarcar por lo menos 30.4 cm (12") hacia arriba. Consulte la figura 5, para ver las distancias mínimas.

#### Quando se utiliza repisa

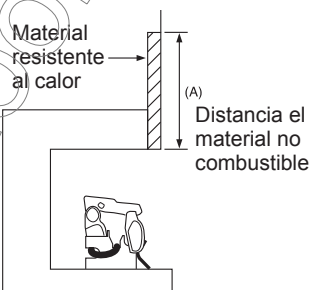
El material que está arriba de la abertura de la chimenea debe ser no combustible. El material no combustible, (por ejemplo, cantera, mármol, azulejo, etc.), debe ser de por lo menos 1.27 cm (1/2") de ancho. Cuando utilice lámina metálica debe colocar material no combustible detrás de ésta. El material no combustible debe abarcar por lo menos 20.3 cm (8") hacia arriba. Si el material no combustible cubre menos de 30.4 cm (12"), entonces debe instalar el accesorio de cubierta de chimenea. Incluso cuando el material no combustible cubra 30.4 cm (12"), posiblemente necesite el accesorio de cubierta para que el calor no llegue a la repisa. Consulte las figuras 5, 6 y 7 para obtener las distancias mínimas.

**Requisitos para una instalación segura**

**(A) 30.4 cm (12") o más:** Se puede utilizar material no combustible.

**(A) Entre 20.3 cm (8") y 30.4 cm (12"):** Instale el accesorio de cubierta.

**(A) Menos de 20.3 cm (8"):** El material no combustible debe abarcar por lo menos 20.3 cm (8"). Consulte Entre 20.3 cm (8") y 30.4 cm (12"), arriba. Si el material no puede cubrir la distancia debe hacer funcionar el calentador con la compuerta del tiro de la chimenea abierta.



**Figura 5 - Material resistente al calor (cantera, mármol, azulejo, etc.) arriba de la chimenea**

### DISTANCIAS MÍNIMAS PARA LA REPISA

Además de las distancias mínimas a materiales no combustibles, también tiene que cumplir con las distancias mínimas requeridas entre la abertura de la chimenea y la repisa. Si no tiene las distancias mínimas que se indican a continuación, entonces necesitará una cubierta de chimenea.

#### Cómo calcular la distancia mínima para la repisa

Si cumple con la distancia mínima entre la repisa y la parte superior de abertura de la chimenea, entonces no necesita cubierta para la chimenea (consulte la figura 6, página 45).

#### Cómo calcular la distancia mínima para la repisa cuando se utiliza la cubierta de chimenea

Si no cumple con las distancias mínimas que se indican en la figura 6, página 45, debe instalar una cubierta de chimenea. Incluso

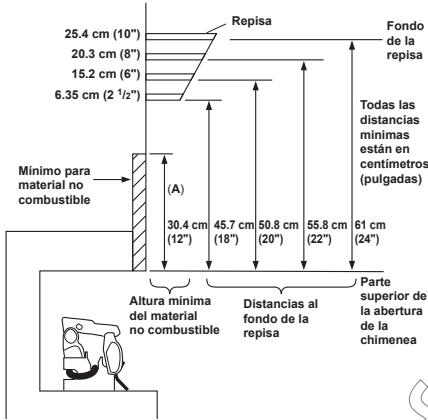
cuando utiliza la cubierta de chimenea tiene que cumplir con ciertas distancias mínimas. Cuando utilice la cubierta de chimenea conserve las distancias mínimas que se muestran en la figura 7, página 45.

**AVISO:** La superficie de las paredes adyacentes y repisas se calientan durante el funcionamiento. Las paredes y la repisa arriba de la chimenea podrían estar calientes al tacto. Si se instala apropiadamente, estas temperaturas cumplen los requerimientos de la norma nacional de productos. Cumpla con las distancias mínimas que se indican en este manual.

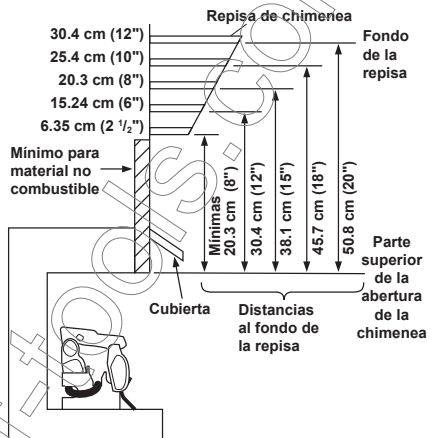
## INSTALACIÓN

**AVISO: Si la instalación no cumple con las distancias mínimas mostradas, debe realizar alguna de las acciones siguientes:**

- haga funcionar los leños únicamente con la compuerta del tiro de la chimenea abierta
- levante la repisa una altura aceptable
- mover la repisa



**Figura 6 - Distancias mínimas para la repisa cuando no se utiliza la cubierta de chimenea**

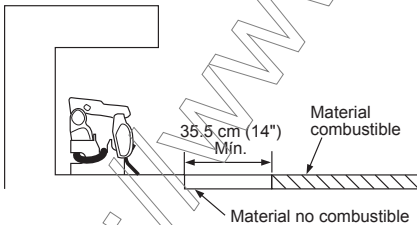


**Figura 7 - Distancias mínimas a la repisa cuando se utiliza la cubierta de chimenea**

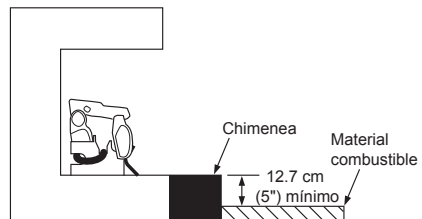
### DISTANCIAS MÍNIMAS AL SUELO

A. Cuando instale el calentador sobre el suelo, debe dejar una distancia mínima de 35.5 cm (14") hacia los materiales combustibles (consulte la figura 8).

B. Cuando los materiales combustibles estén a menos de 35.5 cm (14") de distancia al interior de la chimenea, debe instalar el calentador por lo menos a 12.7 cm (5") arriba del suelo combustible (consulte la figura 9).



**Figura 8 - Distancias mínimas de la chimenea cuando se instala a la misma que el suelo**



**Figura 9 - Distancias mínimas para la chimenea sobre suelo combustible**

# INSTALACIÓN

## SELECCIÓN DE GAS

**Este aparato viene ajustado de fábrica para gas propano/LP. No se requieren cambios para la conexión a propano/LP. Sólo un instalador o técnico de servicio calificado puede realizar la selección de gas y la conexión al suministro de gas.**

**⚠ PRECAUCIÓN:** Dos instalaciones de líneas de gas, al mismo tiempo están prohibidos.

**⚠ PRECAUCIÓN:** Para evitar la fuga de gas para el gas no se utiliza en la entrada del regulador, un instalador o técnico de servicio calificado debe utilizar el enchufe suministrado.

**⚠ ADVERTENCIA:** No intente acceder o cambiar la configuración de los medios de selección de combustible.

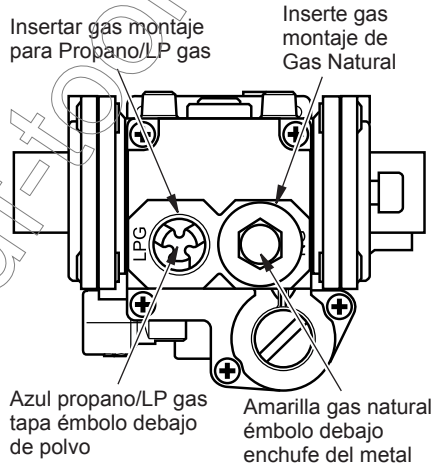
1. El regulador de entrada es un código de colores para identificar el tipo de gas correcto. El azul es para el propano (gas LP) y el amarillo es para el gas natural.
2. El regulador de entrada requiere un adaptador de 3/8" NPT roscado. Aplique un sellador de roscas que está clasificado para su uso con el tipo de gas que se está utilizando.
3. Determinar el tipo de gas que se utilizará por el aparato. Si su tipo de gas es el gas propano/LP quitar la cubierta de polvo azul. Si su tipo de gas es el gas natural enchufe el metal de la entrada de gas natural. Quite la cubierta de polvo azul de entrada de gas propano/LP e instale el tapón de metal. Esto evitará que los residuos fuera del regulador.

*Nota: Después de que el enchufe al aire libre en la parte inferior del regulador se ha eliminado, te darás cuenta de un código de colores émbolo en el interior*

del regulador. Esto es normal. Cuando se inserta el accesorio de conexión de entrada y apretada, este émbolo se empuja hacia atrás, mediante la instalación de hacer todos los ajustes en el gas que se suministra.

4. Aplique sellador de roscas a las roscas en el accesorio de conexión. Mientras empuja, gire hacia la derecha el ajuste hasta que las roscas se acopien al regulador. Después de la instalación se ha apretado la mano en el regulador con una llave para completar apriete de la conexión.

### Regulador de acceso desde la parte posterior del juego de leños



**Figura 10 - Regulador de Gas**

**Asegúrese de que el tipo de gas que se utiliza es la correcta. Asegúrese de que el accesorio de conexión se encuentra en la entrada correcta en el regulador. Consulte Conexión a Suministro de Gas, en la página 48.**

**Si está utilizando el gas natural y el piloto no se enciende, consulte Solución de Problemas, en la página 60.**

## INSTALACIÓN

### INSTALACIÓN DEL CONJUNTO DE LA BASE DEL CALENTADOR

**⚠ ADVERTENCIA:** Este calentador se debe fijar en el suelo de la chimenea. De lo contrario, éste se moverá cuando usted ajuste la temperatura. Cuando se mueve el calentador se puede producir una fuga de gas.

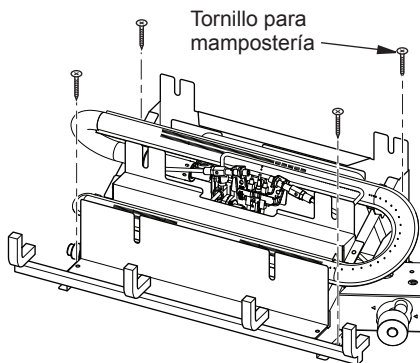
**⚠ ADVERTENCIA:** Cuando se instale en una chimenea hundida se deben tomar precauciones especiales. Tiene que elevar el suelo de la chimenea de modo que tenga acceso al panel de control. Esto garantizará que fluya suficiente aire y protegerá el calentador contra el hollín y evitará que los controles se dañen. Eleve el suelo de la chimenea con material no combustible. Asegúrese que el material esté fijo.

**⚠ PRECAUCIÓN:** No levante el conjunto de la base del calentador desde los quemadores. Esto podría dañar el calentador. Sujete el conjunto de la base solamente por los lados.

**IMPORTANTE:** Compruebe que los quemadores del calentador estén nivelados. Si el calentador no está nivelado, éste no funcionará correctamente.

#### Elementos necesarios para la instalación

- paquete de ferretería (incluido con el calentador)
  - taladro eléctrico con broca de 3/16"
1. Ubique la base ensamblada del calentador en la chimenea. Centro conjunto de base de izquierda a derecha y de adelante hacia atrás dentro de la chimenea.
  2. Marque las ubicaciones de los tornillos a través de los orificios de la abrazadera de montaje (consulte la Figura 11). Si lo instala en una chimenea con la parte inferior de ladrillo, marque las ubicaciones de los tornillos en la unión de mortero de los ladrillos.
  3. Retire la base del calentador de la chimenea.
  4. Taladre orificios en las ubicaciones marcadas con una broca de 3/16".
  5. Fije la base ensamblada al piso de la chimenea mediante dos tornillos para mampostería (en el paquete de aditamentos (consulte la Figura 11)).
  6. Conectar a la alimentación de gas. Consulte *Conexión al suministro de gas*, en la página 48.



**Figura 11 - Instalación del conjunto de la base en el suelo de la chimenea**

## INSTALACIÓN

### CONEXIÓN AL SUMINISTRO DE GAS

**⚠ ADVERTENCIA:** Una persona de servicio capacitada debe conectar el calentador al suministro de gas. Siga todos los códigos locales.

**⚠ ADVERTENCIA:** Este aparato requiere una conexión de entrada tipo NPT (rosca de tubería nacional) de 1/2" al regulador de presión.

**⚠ ADVERTENCIA:** Para gas natural, nunca conecte el calentador a pozos de gas privados (que no sean de servicio público). Este gas se conoce comúnmente como gas de pozo.

**⚠ PRECAUCIÓN:** Para gas propano/LP, nunca conecte el calentador directamente al suministro de gas propano/LP. Este calentador requiere un regulador externo (no se incluye). Instale el regulador externo entre el calentador y el suministro de gas propano/LP. El proveedor de gas debe suministrar un regulador externo para el gas natural. El técnico capacitado proporciona el regulador externo para el gas propano/LP.

**⚠ ADVERTENCIA:** No sobre apriete las conexiones de gas.

**⚠ PRECAUCIÓN:** Utilice únicamente tubería nueva, de hierro negro o de acero. En algunas áreas se puede utilizar tubería de cobre con interior galvanizado. Consulte los códigos locales. Use tubería de 3/8" de diámetro interior, o mayor, para que el volumen de gas al calentador sea el adecuado. Si la tubería es demasiado angosta, se producirá una pérdida indebida de volumen.

**⚠ PRECAUCIÓN:** Revise la presión de la línea de gas antes de conectar el calentador a la línea. La presión de la línea de gas no debe ser superior a 22,86 cm (9") de c.a. Si la presión de la línea de gas es superior, podría dañarse el regulador del calentador.

**⚠ PRECAUCIÓN:** Evite dañar el regulador. Sostenga el regulador de gas con una llave cuando lo conecte a la tubería de gas y/o a las conexiones.

**⚠ ADVERTENCIA:** Use sellador para tubería que sea resistente al gas de petróleo líquido (LP).



## INSTALACIÓN

Antes de instalar el calentador, asegúrese de tener los elementos que se indican a continuación.

- tubería (consulte los códigos locales),
- sellador (resistente al natural y propano o gas LP),
- válvula de cierre del equipo\*,
- conexión para medidor de prueba\*,
- unión de terminal con conexión a tierra,
- trampa de sedimentos,
- unión T,
- llave para tubería,
- manguera flexible para gas (revise los códigos locales)

\* Una válvula de cierre de equipo con diseño certificado por la CSA con rosca tipo NPT de 1/8" es una alternativa aceptable como conexión para el medidor de prueba. La válvula opcional de cierre de equipo con diseño certificado por la CSA la puede adquirir con su distribuidor.

### Diámetros usuales de tubería de entrada

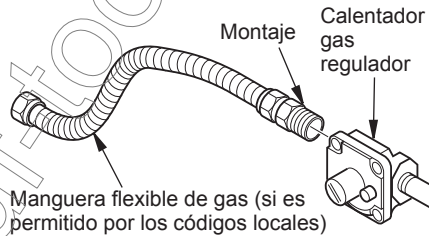
Utilice tuberías de hierro negro de 3/8" o más grandes. La instalación debe incluir la válvula de cierre del equipo, la unión y la rosca tipo NPT con tapón de 1/8". Sitúe el conector con rosca NPT a su alcance para realizar la conexión del medidor de prueba. El conector tipo NPT se debe conectar en dirección del

suministro desde el calentador (consulte la figura 13).

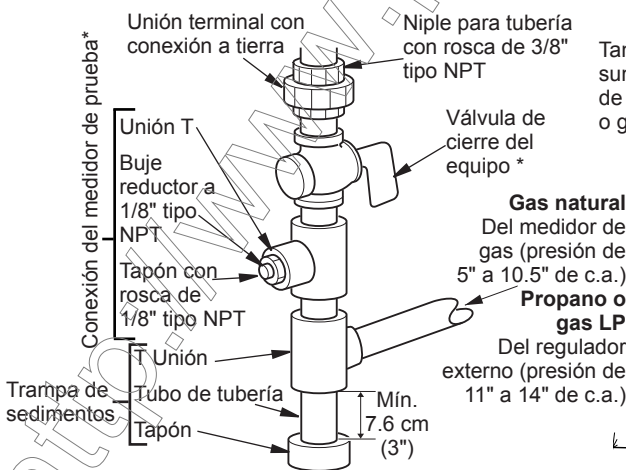
**IMPORTANTE:** instale una válvula de cierre del equipo en un lugar que sea accesible. La válvula de cierre del equipo es para abrir o cerrar el suministro de gas al aparato.

Aplique una pequeña cantidad de sellador de tubería a las roscas NPT macho. Esto evitará que el exceso de sellador entre a la tubería. El exceso de sellador en la tubería puede ocasionar que las válvulas del calentador se tapen.

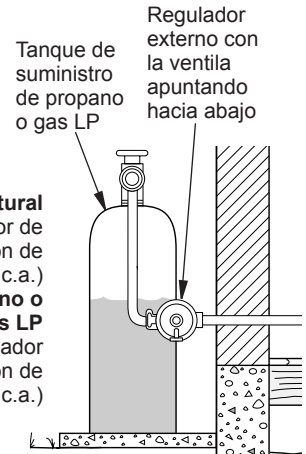
Para gas propano o LP, el instalador debe proveer un regulador externo. El regulador externo reducirá la presión del gas entrante. Debe reducir la presión del gas entrante de manera que esté entre 11" y 14" de c.a. Si no reduce la presión del gas entrante, se pueden producir daños al regulador del calentador. Instale el



**Figura 12 - Colocación flexible manguera de gas al calentador regulador de gas**



**Figura 13 - Conexión de gas**



**Figura 14 - Regulador externo con la ventila apuntando hacia abajo (sólo propano y gas LP)**

\* Adquiera la válvula opcional de cierre de equipo certificada con diseño CSA del distribuidor.

## INSTALACIÓN

regulador externo con la ventila apuntando hacia abajo. Como se muestra en la figura 14, pagina 49. El apuntar la ventila hacia abajo la protege de la lluvia helada o aguanieve.

Instale la trampa de sedimentos en la línea de suministro como se muestra en la figura 13, pagina 49. Sitúe la trampa de sedimentos de manera que se pueda tener acceso a ella para limpieza. Sitúe la trampa de sedimentos donde sea poco probable que los materiales atrapados en ella se congelen. La trampa de sedimentos atrapa humedad y contaminantes. Esto evita que los sedimentos lleguen a

los controles del calentador. Si la trampa de sedimentos no se instala o se instala incorrectamente, el calentador podría no funcionar correctamente.

**⚠ ADVERTENCIA: Pruebe todas las conexiones y tubería de gas, tanto internas como externas, para verificar que no haya fugas después de la instalación o reparación. Repare todas las fugas inmediatamente.**

### REVISIÓN DE LAS CONEXIONES DE GAS

**⚠ ADVERTENCIA: Después de instalar el calentador o de darle servicio, pruebe todas las conexiones y tubos de gas de la unidad, tanto internas como externas, en busca de fugas. Repare todas las fugas inmediatamente.**

**⚠ ADVERTENCIA: Nunca use una llama al descubierto para verificar si hay fugas. Aplique líquido no corrosivo para detectar fugas en todas las uniones. La formación de burbujas indicará una fuga. Repare todas las fugas inmediatamente.**

### PRUEBAS DE PRESIÓN DEL SISTEMA DE TUBERÍAS DE SUMINISTRO DE GAS Presiones de prueba que exceden 3.5 kPa (1/2 PSI)

1. Desconecte el aparato del sistema de tubería de suministro de gas con la válvula principal de gas del aparato (válvula de control) y de la válvula de cierre del equipo. Las presiones que excedan 3.5 kPa (1/2 PSI) ocasionarán daños al regulador del calentador.
2. Coloque una tapa en el extremo abierto del tubo de gas donde estaba conectada la válvula de cierre del equipo.
3. Regule la presión del sistema de tubería de suministro ya sea abriendo la válvula del tanque de suministro de propano o gas LP, en caso que utilice este tipo de gas, o bien, abriendo la válvula principal de gas que se localiza en el medidor de gas natural o cerca de éste, o bien, usando aire comprimido.
4. Revise todas las uniones del sistema de tubería de suministro de gas. Aplique en todas las uniones algún líquido de detección de fugas que no sea corrosivo. La formación de burbujas indicará una fuga.
5. Repare todas las fugas inmediatamente.
6. Vuelva conectar el calentador y la válvula de cierre del equipo al suministro de gas. Revise las conexiones que se volvieron a conectar en caso de fugas.

# INSTALACIÓN

## Presiones de prueba iguales o menores a 3.5 kPa (1/2 PSI)

1. Cierre la válvula de cierre del equipo (consulte la figura 15).
2. Regule la presión del sistema de tubería de suministro ya sea abriendo la válvula del tanque de suministro de propano o gas LP, en caso que utilice este tipo de gas, o bien, abriendo la válvula principal de gas que se localiza en el medidor de gas natural o cerca de éste, o bien, usando aire comprimido.
3. Revise todas las uniones desde el medidor de gas, tanto para suministro de gas natural o propano o gas LP, hasta la válvula de cierre del equipo (consulte la figura 16 o 17). Aplique en todas las uniones algún líquido de detección de fugas que no sea corrosivo. La formación de burbujas indicará una fuga.
4. Repare todas las fugas inmediatamente.

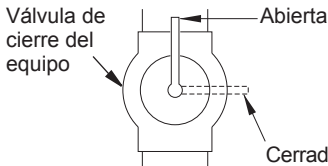


Figura 15 - Válvula de cierre del equipo

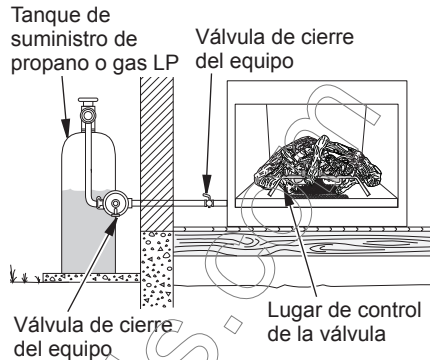


Figure 16 - Propano/LP suministro de gas

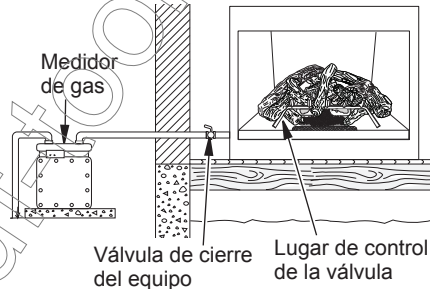


Figura 17 - Suministro de gas natural

## Comprobación de la presión de las conexiones de gas del calentador

1. Abra la válvula de cierre del equipo (consulte la figura 15).
2. Abra la válvula principal localizada en o cerca del medidor de gas si usa gas natural, o abra la válvula del tanque de suministro de gas propano/LP.
3. Compruebe que las perillas de control del calentador estén en la posición OFF (apagado).
4. Revise todas las uniones entre la válvula de cierre del equipo y válvula de gas del termostato (consulte la figura 16 o 17).

5. Repare todas las fugas inmediatamente.
6. Encienda el calentador (consulte *Instrucciones de Encendido*, en la página 55). Revise el resto de las uniones internas para ver si hay fugas.
7. Apague el calentador (consulte *Cómo cerrar el suministro de gas al aparato*, en la página 56).

# INSTALACIÓN

## INSTALACIÓN DE LOS LEÑOS

**⚠ ADVERTENCIA:** Si no coloca las piezas de acuerdo con estos diagramas o no usa piezas aprobadas específicamente para este calentador pueden producirse daños a la propiedad o lesiones personales.

**⚠ PRECAUCIÓN:** Después de la instalación y en lo sucesivo, compruebe periódicamente que ninguna llama amarilla esté en contacto con algún leño. Ponga el calentador en HI (alto) y observe si las llamas tocan los leños. De ser así, mueva los leños y colóquelos como se indica en las instrucciones para colocar los leños, contenidas en este manual. Las llamas amarillas que estén en contacto con los leños producirán hollín.

Es muy importante instalar los leños exactamente como se indica en las instrucciones. No modifique los leños. Utilice sólo los leños suministrados con el calentador. Cada leño tiene un número marcado. Este número lo ayudará a identificar los leños al instalarlos. Después de instalarlos, agregue ceniza decorativa alrededor de la base de la rejilla. No la coloque sobre los leños ni el quemador.

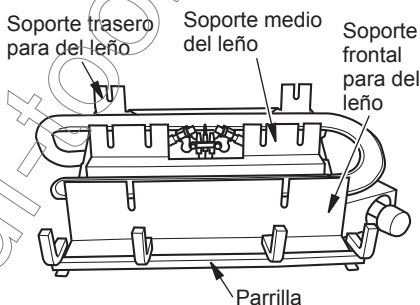


Figura 18 - Asamblea base del calentador

### Modelo CRHD18T (18" Leño Juego)

1. Coloque el leño #1 en el soporte de la rejilla posterior (ver Figura 19).
2. Coloque el leño #2 y #3 log en el soporte de la rejilla central (ver Figura 20).
3. Coloque el leño #4 y #5 log en el soporte de la rejilla frontal (vea la Figura 21, en la página 53).
4. Coloque los leños #6, #7 y #8 como se muestra en la Figura 22, en la página 53.

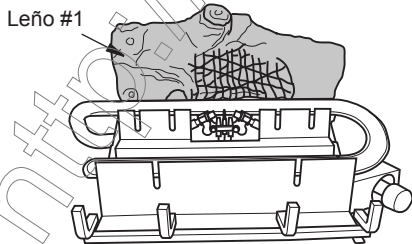


Figura 19 - Instalación Leño #1

**IMPORTANTE:** Asegúrese de que los registros no cubren los orificios del quemador. Es muy importante instalar los leños exactamente como se indica en las instrucciones. No modifique los leños. Utilice sólo los leños suministrados con el calentador.

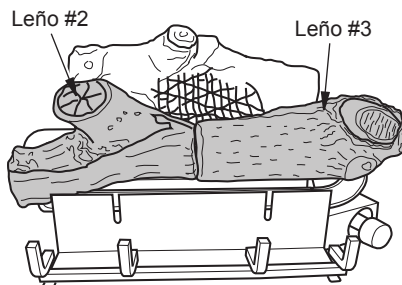
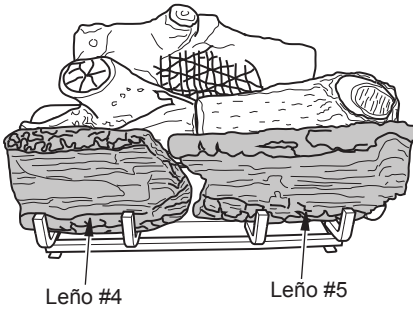
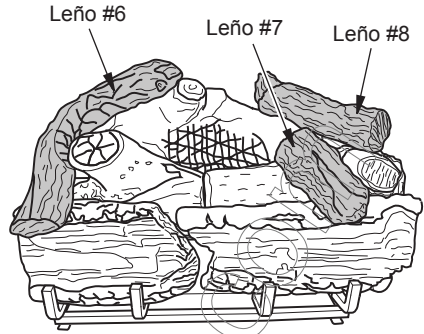


Figura 20 - Instalación Leños #2 y #3

## INSTALACIÓN



**Figura 21 - Instalación Leños #4 y #5**

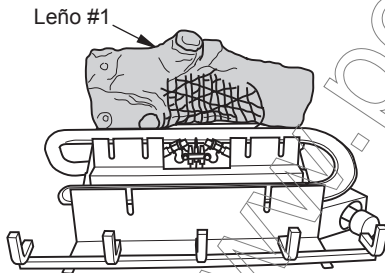


**Figura 22 - Instalación Leños #6, #7 y #8**

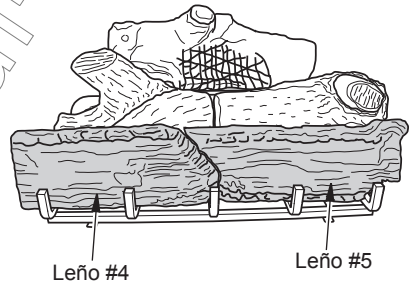
### Modelo CRHD24T (24" Leño Juego)

1. Coloque el leño #1 en el soporte de la rejilla posterior (ver Figura 23).
2. Coloque el leño #2 y #3 log en el soporte de la rejilla central (ver Figura 24).
3. Coloque el leño #4 y #5 log en el soporte de la rejilla frontal (vea la Figura 25).
4. Coloque los leños #6, #7, #8 y #9 como se muestra en la Figura 26.

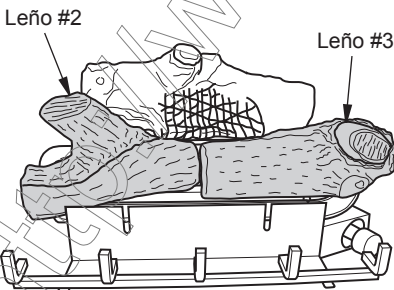
**IMPORTANTE:** Asegúrese de que los registros no cubren los orificios del quemador. Es muy importante instalar los leños exactamente como se indica en las instrucciones. No modifique los leños. Utilice sólo los leños suministrados con el calentador.



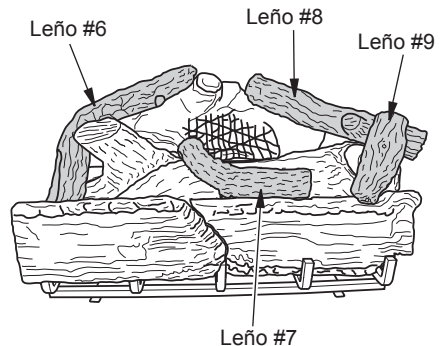
**Figura 23 - Instalación Leño #1**



**Figura 25 - Instalación Leños #4 y #5**



**Figura 24 - Instalación Leños #2 y #3**



**Figura 26 - Instalación Leños #6, #7, #8 y #9**

## INSTALACIÓN

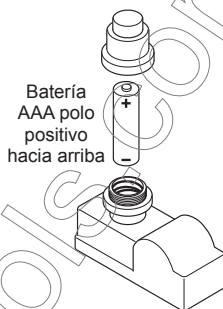
### INSTRUCCIONES PARA LAS BATERÍAS

**⚠ PRECAUCIÓN:** No mezcle baterías nuevas con usadas. No mezcle baterías alcalinas, estándar (carbono - zinc) o recargables (níquel - cadmio). No tire las baterías en el fuego. Las baterías pueden explotar o gotear.

- Las baterías están incluidas.
- Eliminar baterías cuando se agoten.
- Instalar/remplazar las baterías de acuerdo con el tipo y la cantidad que se indica en la tabla a continuación.
- No utilice pilas usadas y nuevas. Las pilas nuevas deben ser de la misma marca para obtener mejores resultados.
- Asegúrese de observar la polaridad (+/-) cuando instale o reemplace las baterías.

Daños debido a la instalación incorrecta de las baterías pueden anular la garantía del producto.

- Por seguridad, retire las pilas de todos los componentes durante períodos largos de no-operación.



**Figura 27 - Instalación de la batería en Ignitor**

## FUNCIONAMIENTO

### POR SU SEGURIDAD, LEA ESTO ANTES DE ENCENDER EL CALENTADOR

**⚠ ADVERTENCIA:** no seguir estas instrucciones al pie de la letra puede resultar en incendio o explosión que produzcan daños a bienes, lesiones físicas o la muerte.

- A. Este aparato tiene un piloto que se debe encender manualmente. Cuando encienda el piloto, siga estas instrucciones al pie de la letra.
- B. **ANTES DE ENCENDERLO** compruebe que alrededor del aparato no huela gas. Asegúrese de oler también cerca del suelo, ya que algunos gases son más pesados que el aire y se asientan cerca del suelo.
- QUÉ HACER SI PERCIBE OLOR A GAS**
- No intente encender ningún aparato.
  - No toque ningún interruptor eléctrico; no use ningún teléfono en el edificio.

- Llame inmediatamente a su proveedor de gas desde el teléfono de algún vecino. Siga las instrucciones del proveedor de gas.
  - Si no puede localizar al proveedor de gas, llame al departamento de bomberos.
- C. Utilice únicamente la mano para presionar o girar la perilla de control de gas. Nunca utilice herramientas. Si no puede presionar o girar la perilla manualmente, no intente repararla, llame a un técnico de servicio capacitado. Forzarla o tratar de repararla pueden producir un incendio o una explosión.
- D. No use este aparato si alguna de sus partes estuvo sumergida en agua. Llame inmediatamente a un técnico capacitado de servicio para que inspeccione el aparato y reemplace las piezas del sistema de control y los controles de gas que hayan estado sumergidos en agua.

# FUNCIONAMIENTO

## INSTRUCCIONES DE ENCENDIDO

**⚠ ADVERTENCIA:** Debe operar este calentador con la rejilla colocada en su lugar. Asegúrese de que la rejilla esté instalada antes de hacer funcionar el calentador.

**AVISO:** Durante el funcionamiento inicial de un calentador nuevo, los leños despedirán un olor a papel quemado. También habrá llamas anaranjadas. Abra el regulador del tiro o una ventana para ventilar el olor. Esto durará solamente unas horas.

1. ¡ALTO! Lea la información de seguridad en la página 54.
2. Asegúrese de que la válvula de cierre del equipo esté completamente abierta.
3. Presione levemente la perilla de control y gírela en dirección de las manecillas del reloj ↻ hasta la posición OFF.
4. Espere cinco (5) minutos a que se disipe el gas. Luego acérquese para ver si percibe olor a gas, incluso cerca del suelo. Si percibe olor a gas, ¡DETÉNGASE! Siga el punto "B" en la información de seguridad en la página 54. Si no percibe olor a gas, continúe con el siguiente paso.
5. Presione levemente la perilla de control en sentido contrario al de las manecillas del reloj ↻ hasta la posición PILOT (piloto). Presione la perilla de control durante cinco (5) segundos

*Nota: La perilla de control se debe presionar durante 30 segundos o más la primera vez que se hace funcionar el calentador después de conectarlo al suministro de gas. Esto permitirá que el aire salga del sistema de gas. En caso que el piloto no encienda, consulte la sección Solución de problemas, en la página 60. También, llame a un técnico de servicio calificado o a su proveedor de gas para que realicen las reparaciones necesarias. Hasta que se hagan las reparaciones, encender el piloto con un fósforo.*

- Si al soltar la perilla de control ésta no regresa a su posición original, llame a un técnico de servicio calificado o a su proveedor de gas para que realicen las reparaciones necesarias.
6. Presione la perilla de control y, al mismo tiempo, oprima y suelte el botón de encendido. Esto encenderá el piloto. El piloto está instalado en la parte posterior del quemador. El piloto puede ser visto a través de la parrilla. En caso necesario, continúe oprimiendo el botón de encendido hasta que el piloto encienda.  
*Nota: Si el piloto no se mantiene encendido, consulte la sección Solución de problemas, en la página 60. También contacte un técnico de servicio calificado o proveedor de gas para las reparaciones. Encienda el piloto con un fósforo hasta que se realicen las reparaciones. Para encender el piloto con un fósforo. Consulte el Procedimiento para encendido manual, en la página 56.*
  7. Una vez que haya encendido el piloto mantenga la perilla de control presionada durante 30 segundos. Después de los 30 segundos, suelte la perilla de control.  
*Nota: si el piloto se apaga, repita los pasos 3 al 7. Este calentador tiene un sistema de bloqueo de seguridad. Espere un (1) minuto antes de encender el piloto nuevamente.*



Botón del encendedor Perilla de control

**Figura 28 - Botón del encendedor y perilla de control**

## FUNCIONAMIENTO

8. Gire la perilla de control en sentido contrario al de las manecillas del reloj ↶ a la posición de encendido. El quemador principal deberá encenderse.

*Nota: Espere un minuto después de apagar el calentador para permitir que la válvula de control se restablezca antes de encender nuevamente la unidad.*

**⚠ PRECAUCIÓN:** No intente ajustar los niveles de calefacción por medio de la válvula de cierre del equipo.

**⚠ ADVERTENCIA:** Si el tipo de entrada de gas es NG, asegúrese de que el quemador del piloto NG encienda. Si el tipo de entrada de gas es LP, asegúrese de que el quemador del piloto LP encienda.

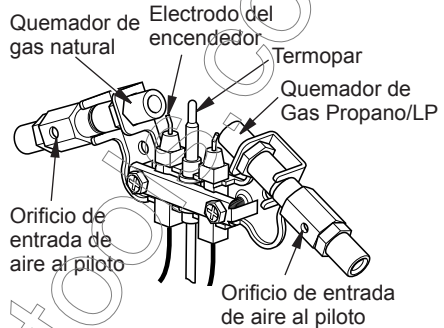


Figura 29 - Piloto

## CÓMO CERRAR EL SUMINISTRO DE GAS AL APARATO

### Cómo apagar el calentador

Gire la perilla de control en dirección de la manecillas del reloj ↷ hasta la posición OFF (apagado).

### Cómo apagar el quemador sólo (permanece encendido)

Gire la perilla de control en dirección de la manecillas del reloj ↷ hasta la posición PILOT (piloto).

## FUNCIONAMIENTO DEL CONTROL TERMOSTÁTICO

El control termostático utilizado en este calentador es diferente al de los termostatos comunes. Los termostatos comunes simplemente encienden y apagan el quemador. El termostato de este calentador mide la temperatura de la habitación. Por momentos, la habitación puede superar la temperatura establecida. Si es así, el quemador se apagará. El quemador

se volverá a encender por ciclos cuando la temperatura de la habitación sea menor que la establecida. La perilla de control se puede ajustar en diferentes niveles de comodidad

*Nota: El bulbo detector termostático mide la temperatura según la construcción de la vivienda.*

## PROCEDIMIENTO PARA ENCENDIDO MANUAL

1. Siga los pasos 1 al 7 de las *Instrucciones de encendido*, página 55.
2. Con la perilla de control en la posición PILOT, encienda un cerillo, y sosténgalo cerca del piloto. Presione la perilla de control, el piloto debe encenderse.
3. Una vez que haya encendido el piloto mantenga la perilla de control presionada durante 30 segundos. Después de 30 segundos, suelte la perilla de control.
4. Asegúrese de que la rejilla del calentador esté en su lugar antes de operar el calentador.



## INSPECCIÓN DEL CALENTADOR

**IMPORTANTE:** El propietario debe revisar frecuentemente los patrones de la llama del piloto y de la llama del quemador. Patrones de llama incorrectos indican la necesidad de limpieza o servicio de mantenimiento (consulte Cuidado y mantenimiento, página 58).

**⚠ ADVERTENCIA:** Sólo una persona de servicio capacitada debe repararlo o darle servicio. Esto incluye el mantenimiento requerido, refacciones o alteración de componentes.

### PATRÓN DE LA LLAMA DEL PILOTO

La figura 30 muestra un patrón correcto de la llama del piloto. La figura 31 muestra un patrón incorrecto de la llama del piloto. La llama incorrecta del piloto no toca el termopar. Esto ocasionará que el termopar se enfríe. Cuando el termopar se enfríe, el calentador se apagará. Si el patrón de la llama del piloto es incorrecto, como se muestra en la figura 31

- apague el calentador (consulte Cómo cerrar el suministro de gas al aparato, en la página 56).
- consulte Solución de problemas, en la página 60 a 64.

**⚠ ADVERTENCIA:** Si se presenta un color amarillo en las puntas de las llamas, el calentador puede producir niveles elevados de monóxido de carbono. Si el patrón de la flama del quemador muestra un color amarillo en las puntas, siga las instrucciones.

**AVISO:** no confunda las llamas anaranjadas con el color amarillo en las puntas. El polvo y otras partículas pequeñas se introducen al calentador y al quemarse producen breves manchas de llamas anaranjadas.

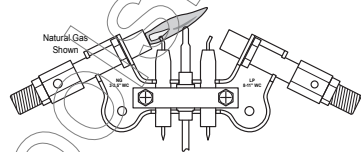


Figura 30 - Patrón correcto de la llama del piloto

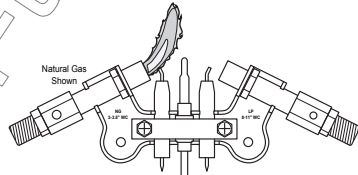


Figura 31 - Patrón incorrecto de la llama del piloto

### PATRÓN DE LA LLAMA DEL QUEMADOR

En la figura 32 se muestra el patrón correcto de la flama del quemador. En la figura 33 se muestra un patrón incorrecto de la flama del quemador. Si el patrón de la llama del quemador es incorrecto, como se muestra en la figura 33

- apague el calentador (consulte Cómo cerrar el suministro de gas al aparato, en la página 56).
- consulte Solución de problemas, en la página 60



Figura 32 - Patrón correcto de la llama del quemador



Figura 33 - Patrón incorrecto de la llama del quemador

### ORIFICIOS PRINCIPALES DE AIRE DEL QUEMADOR

El aire pasa al quemador a través de los orificios en el conector en la entrada hacia el quemador. Estos orificios se pueden bloquear con polvo o pelusas. Inspeccione periódicamente que estos orificios no estén bloqueados y limpie si es necesario. Si los orificios se bloquean, se producirán hollín.

## CUIDADO Y MANTENIMIENTO

**⚠️ ADVERTENCIA:** Apague el calentador y deje que se enfríe antes de limpiarlo. Sólo una persona de servicio capacitada debe repararlo o darle servicio.

**⚠️ PRECAUCIÓN:** Debe mantener limpias las áreas de control, el quemador y los pasajes de circulación de aire del calentador. Inspeccione estas áreas del calentador antes de cada uso. Haga que una persona de servicio calificada inspeccione el calentador una vez al año. Es posible que el calentador requiera de limpieza más frecuente a causa del exceso de pelusa proveniente de alfombras, de camas, de pelo de mascotas, etc.

**⚠️ ADVERTENCIA:** No mantener limpios los orificios principales de aire puede facilitar la producción de hollín y producir daños a la propiedad.

### QUEMADOR PRINCIPAL

Inspeccione periódicamente todos los orificios de llamas del quemador con el calentador en funcionamiento. Todos los orificios de ranura del quemador deben estar abiertos y su llama debe ser amarilla. Todos los orificios para las llamas redondos del quemador deben estar

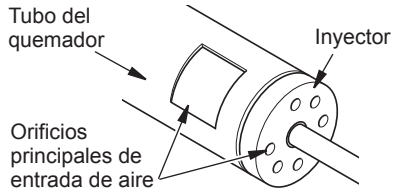
abiertos y su llama debe ser pequeña y azul. Algunos orificios del quemador pueden bloquearse con desechos u óxido si no hay llama. Si es así, apague el calentador y déjelo enfriar; luego, elimine el bloqueo. Si los orificios del quemador se bloquean, se produce hollín.

### SUJETADOR DEL INYECTOR DEL QUEMADOR Y ORIFICIO DE ENTRADA DE AIRE DEL PILOTO

Recomendamos limpiar la unidad cada tres meses o después de 2.500 horas de uso. También se recomienda que mantenga el conjunto del tubo y piloto del quemador limpio y libre de polvo y suciedad. Para limpiar estas piezas, se recomienda que use aire comprimido a una presión no mayor de 30 PSI. Es posible que la tienda local de equipo de cómputo, ferretería o de mejoras al hogar tengan aire comprimido en latas. Si utiliza aire comprimido en lata, siga las instrucciones que aparecen en la lata. Si no sigue las instrucciones escritas en la lata, puede dañar el conjunto del piloto.

1. Apague la unidad y el piloto. Deje que la unidad se enfríe durante por lo menos 30 minutos.
2. Inspeccione el quemador, el piloto y los orificios de entrada de aire principales del sujetador del inyector en busca de polvo y suciedad (consulte Figura 34).
3. Haga pasar aire a través de los orificios o las ranuras y de los orificios del quemador. También limpie el conjunto de piloto.

4. Revise nuevamente el sujetador del inyector que se encuentra en el extremo del tubo del quemador. Retire cualquier partícula grande de polvo, suciedad, pelusa o pelo de mascotas con un paño suave o con la boquilla de una aspiradora.
5. Haga pasar aire por los orificios principales del sujetador del inyector.
6. En caso de que una obstrucción grande o polvo haya sido empujada hacia el interior del quemador repita los pasos 3 y 4.



**Figura 34 - Quemador y sujetador del inyector**

## CUIDADO Y MANTENIMIENTO

### ODS/PILOTO

Utilice una aspiradora, aire comprimido o un cepillo pequeño, de cerdas suaves para limpiarlos.

Si la llama del piloto tiene la punta amarilla, esto indica la presencia de polvo y suciedad en el conjunto del piloto. Hay un pequeño orificio de entrada de aire al piloto, aproximadamente de 5 cm (2") de diámetro de donde sale la llama del piloto (consulte la figura 35). Con la unidad apagada, haga pasar aire ligeramente a través del orificio de entrada de aire. Si no cuenta con aire comprimido, puede soplar a través de una pajilla o popote.

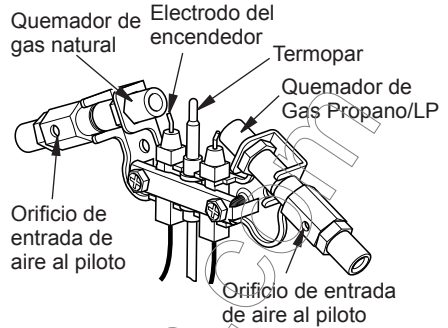


Figura 35 - Orificio de entrada de aire al piloto

### GABINETE

#### Conductos de aire

Utilice una aspiradora o aire comprimido para limpiarlos.

#### Exterior

- Utilice un paño humedecido con una mezcla de agua y jabón suave.
- Frote el gabinete para quitar el polvo.

### LEÑOS

- Si retira de leños de una pieza para limpiarlo, consulte [Instalación de los Leños](#) la página 52 para ver las instrucciones de colocación.
- Reemplace de leño(s) si está roto o astillado (roturas de 1.7 cm o más grandes).

## SOLUCIÓN DE PROBLEMAS

- ⚠ ADVERTENCIA:** si percibe olor a gas
- Cierre el suministro de gas.
  - No intente encender ningún aparato.
  - No toque ningún interruptor eléctrico; no use ningún teléfono en el edificio.
  - Llame inmediatamente a su proveedor de gas desde el teléfono de algún vecino. Siga las instrucciones del proveedor de gas.
  - Si no puede localizar al proveedor de gas, llame al departamento de bomberos.

**⚠ ADVERTENCIA:** Sólo una persona de servicio capacitada debe reparar la calentador y darle servicio. Asegúrese de que el equipo está apagado antes de proceder. Apague y deje que se enfríe antes de darle servicio.

**⚠ CAUTION: PRECAUCIÓN:** nunca utilice un alambre, aguja u objetos parecidos para limpiar el piloto con ODS. Esto puede dañar la unidad de piloto con ODS.

*IMPORTANTE:* si hace funcionar la chimenea donde existen impurezas en el aire se pueden producir olores. Los productos de limpieza, pintura, solventes de pintura, humo de cigarro, cementos y pegamentos, alfombras o textiles nuevos, etc., producen gases. Estos gases se pueden mezclar con el aire que se utiliza para la combustión y producir olores. Estos olores se disiparán con el tiempo.

*Nota:* todos los puntos para solución de problemas se listan en orden de funcionamiento.

## SOLUCIÓN DE PROBLEMAS

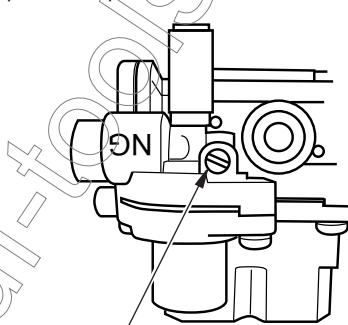
Problema	Causa Posible	Acción Correctiva
El uso de gas natural y el piloto no se enciende.	Presión inicial supera los 9" WC.	Presostato Bypass. Vea las instrucciones de abajo.

### Interruptor de presión

Cuando se usa gas natural (NG), hay un interruptor de presión que actúa para apagar el flujo de gas al piloto si la presión de entrada excede 9" WC. Esto es para prevenir la operación de la unidad en el gas de mal (propano/LP). Si el suministro de gas natural supera los 9" WC la unidad no funcionará. O póngase en contacto con su proveedor de gas para comprobar y ajustar la presión de entrada o un técnico de servicio calificado puede pasar por alto el interruptor de presión.

Antes de tratar de pasar por alto el interruptor de presión, asegúrese de que el tipo de gas que se utiliza es la correcta. Asegúrese de que el accesorio de conexión se encuentra en la entrada correcta en el regulador. Consulte *Conexión a Suministro de gas*, en la página 48. Sólo un técnico calificado debe pasar por alto el interruptor de presión. Para anular el interruptor de presión localizar el tornillo de ajuste en el regulador. Utilice un pequeño destornillador de punta plana para girar el tornillo de ajuste en sentido antihorario 2 vueltas. Esto pasará por alto la función de interruptor de presión.

La tubería de suministro de gas completa, incluidas las conexiones en el interior del calentador debe probar contra fugas por el instalador autorizado. Después de la fuga probar el instalador calificado debe encender el aparato. Consulte el patrón correcto de la llama, como se ilustra en la página 57. Todos los de la llama debe ser de forma segura en el interior del producto. Si por alguna razón no es así, deje de utilizar el aparato y llame para las reparaciones.



Interruptor de presión tornillo de fijación

**Figura 41 - Interruptor de presión del regulador de gas**

Problema	Causa Posible	Acción Correctiva
Cuando se presiona el botón del encendedor, no hay chispa en el piloto con ODS.	<ol style="list-style-type: none"> <li>1. Electrodo de encendido está mal colocado. Electrodo de encendido está roto.</li> <li>2. El electrodo del encendedor no está conectado al cable del encendedor.</li> <li>3. El cable del encendedor está comprimido o mojado.</li> <li>4. El cable del encendedor está roto.</li> <li>5. El encendedor piezoeléctrico está defectuoso.</li> <li>6. Batería baja.</li> </ol>	<ol style="list-style-type: none"> <li>1. Reemplace el electrodo del encendedor.</li> <li>2. Reemplace el cable del encendedor.</li> <li>3. Libere el cable del encendedor si algún metal o tubería lo está comprimiendo. Mantenga seco el cable del encendedor.</li> <li>4. Reemplace el cable del encendedor.</li> <li>5. Reemplace el encendedor piezoeléctrico.</li> <li>6. Reemplace la batería.</li> </ol>

## SOLUCIÓN DE PROBLEMAS

Problema	Causa Posible	Acción Correctiva
<p>Cuando se presiona el botón del encendedor, hay chispa en el piloto con ODS pero no se enciende.</p>	<ol style="list-style-type: none"> <li>1. El suministro de gas está cerrado o la válvula de cierre del equipo está cerrada.</li> <li>2. La perilla de control no se presionó del todo al pulsar el botón de encendido.</li> <li>3. Quedó aire en las líneas de gas (nueva instalación o interrupción gas reciente).</li> <li>4. El piloto con ODS está tapado.</li> <li>5. La perilla de control no está en la posición PILOTO.</li> <li>6. Se agotó el suministro de gas (propano o gas LP únicamente).</li> </ol>	<ol style="list-style-type: none"> <li>1. Abra el suministro de gas o la válvula de cierre del equipo.</li> <li>2. Presione la perilla de control del todo al pulsar el botón de encendido.</li> <li>3. Mantenga presionada la perilla de control. Repita el encendido hasta que se haya eliminado el aire.</li> <li>4. Limpie el piloto con ODS (consulte <i>Cuidado y mantenimiento</i>, en la página 58) o cambie el conjunto de piloto con ODS.</li> <li>5. Gire la perilla de control a la posición PILOTO.</li> <li>6. Comuníquese con la compañía local de propano o gas LP.</li> </ol>
<p>El piloto con ODS se enciende, pero la llama se extingue cuando la perilla de control se suelta</p>	<ol style="list-style-type: none"> <li>1. La perilla de control no está presionada completamente.</li> <li>2. La perilla de control no se presionó durante el tiempo suficiente.</li> <li>3. La válvula de cierre del equipo no está totalmente abierta.</li> <li>4. La conexión del termopar está floja en la válvula de control.</li> <li>5. La llama del piloto no está tocando el termopar, lo que hace que el termopar se enfríe y ocasiona que la llama del piloto se extinga. Este problema puede ser ocasionado por alguna de las siguientes condiciones o por ambas: A) Baja presión del gas B) El piloto con ODS está sucio o parcialmente tapado</li> <li>6. El termopar está dañado.</li> <li>7. La válvula de control está dañada.</li> </ol>	<ol style="list-style-type: none"> <li>1. Presione la perilla de control completamente.</li> <li>2. Después de que el piloto con ODS se encienda, mantenga la perilla de control presionada durante 30 segundos.</li> <li>3. Abra la válvula de cierre del equipo totalmente.</li> <li>4. Apriete con la mano hasta que sienta que topa, luego apriete 1/4 de vuelta más.</li> <li>5. A) Comuníquese con la compañía local de gas natural o de propano o gas LP  B) Limpie el piloto con ODS (consulte <i>Cuidado y mantenimiento</i>, en la página 58) o reemplace el conjunto de piloto con ODS.</li> <li>6. Reemplace el termopar.</li> <li>7. Reemplace la válvula de control.</li> </ol>
<p>El quemador no se enciende después de que el piloto con ODS se enciende.</p>	<ol style="list-style-type: none"> <li>1. El orificio del quemador está tapado.</li> <li>2. El diámetro del orificio del quemador es demasiado pequeño.</li> <li>3. La presión del gas de entrada es demasiado baja.</li> </ol>	<ol style="list-style-type: none"> <li>1. Limpie el quemador (consulte <i>Cuidado y mantenimiento</i>, en la página 58) o reemplace el orificio del quemador.</li> <li>2. Reemplace el orificio del quemador.</li> <li>3. Contacte a su proveedor local de gas.</li> </ol>

## SOLUCIÓN DE PROBLEMAS

Problema	Causa Posible	Acción Correctiva
Encendido demorado del quemador.	<ol style="list-style-type: none"> <li>1. La presión del tubo múltiple es muy baja.</li> <li>2. El orificio del quemador está tapado.</li> </ol>	<ol style="list-style-type: none"> <li>1. Contacte a su proveedor local de gas.</li> <li>2. Limpie el quemador (consulte <u>Cuidado y mantenimiento</u>, en la página 58) o reemplace el orificio del quemador.</li> </ol>
El quemador presenta llamas de retorno durante la combustión.	<ol style="list-style-type: none"> <li>1. El orificio del quemador está tapado o dañado.</li> <li>2. El quemador está dañado.</li> <li>3. El regulador de gas está defectuoso.</li> </ol>	<ol style="list-style-type: none"> <li>1. Limpie el quemador (consulte <u>Cuidado y mantenimiento</u>, en la página 58) o reemplace el orificio del quemador.</li> <li>2. Reemplace el quemador.</li> <li>3. Reemplace el regulador de gas.</li> </ol>
Llamas amarillas durante la combustión en el quemador.	<ol style="list-style-type: none"> <li>1. No hay suficiente aire.</li> <li>2. El regulador de gas está defectuoso.</li> <li>3. La presión del gas de entrada es demasiado baja.</li> </ol>	<ol style="list-style-type: none"> <li>1. Revise el quemador en busca de polvo y residuos. Si los hay, limpie el quemador (consulte <u>Cuidado y mantenimiento</u>, en la página 58).</li> <li>2. Reemplace el regulador de gas.</li> <li>3. Contacte a su proveedor local de gas.</li> </ol>
Hay olor a gas durante la combustión.	<ol style="list-style-type: none"> <li>1. Hay material extraño entre la válvula de control y el quemador.</li> <li>2. Fugas de gas. Consulte la anotación de Advertencia al inicio de la página 60.</li> </ol>	<ol style="list-style-type: none"> <li>1. Comuníquese con un técnico de servicio capacitado para eliminar los materiales extraños.</li> <li>2. Localice y repare todas las fugas (consulte <u>Revisión de las conexiones de gas</u>, en la página 50).</li> </ol>
Hay un poco de humo u olor durante el funcionamiento inicial	<ol style="list-style-type: none"> <li>1. Residuos del proceso de manufactura y ahumado del leño.</li> </ol>	<ol style="list-style-type: none"> <li>1. El problema desaparecerá después de algunas horas de funcionamiento</li> </ol>
El calentador produce un silbido cuando el quemador está encendido.	<ol style="list-style-type: none"> <li>1. Se giró la perilla de control a la posición HI (Alto) cuando el quemador estaba frío.</li> <li>2. Hay aire en la tubería de gas.</li> <li>3. Los pasajes de aire de la chimenea están bloqueados.</li> <li>4. El orificio del quemador está sucio o parcialmente obstruido.</li> </ol>	<ol style="list-style-type: none"> <li>1. Gire la perilla de control a la posición LO (bajo) y deje que se caliente durante un minuto.</li> <li>2. Haga funcionar el quemador hasta que se elimine el aire de la tubería. Pida a la empresa proveedor local de gas que revise la línea de gas.</li> <li>3. Respete las distancias mínimas de instalación (consulte Figura 4, página 43)</li> <li>4. Limpie el quemador (consulte <u>Cuidado y mantenimiento</u>, en la página 58) o reemplace el orificio del quemador.</li> </ol>

## SOLUCIÓN DE PROBLEMAS

Problema	Causa Posible	Acción Correctiva
El calentador produce un ruido de chasquidos o golpeteos metálicos justo después de que el quemador se enciende o se apaga.	1. Los metales se dilatan al calentarse y se contraen al enfriarse.	1. Esto es normal en la mayoría de los calentadores. Si el ruido es excesivo, comuníquese con una persona de servicio capacitada.
Se forma un residuo de polvo blanco dentro de la caja del quemador o en las paredes o muebles contiguos.	1. Cuando se calientan, los vapores provenientes de los pulidores de muebles, cera, limpiadores de alfombras, etc., pueden convertirse en residuos de polvo blanco.	1. Apague la calentador cuando utilice pulidores de muebles, ceras, limpiadores de alfombras o productos parecidos.
El calentador produce olores no deseados.	<ol style="list-style-type: none"> <li>1. En el calentador se están quemando vapores provenientes de pintura, fijador para el cabello, pegamentos, productos de limpieza, productos químicos, alfombras nuevas, etc. (Consulte la <i>nota IMPORTANTE</i> página 60).</li> <li>2. Fugas de gas. Consulte la anotación de Advertencia al inicio de la página 60.</li> <li>3 Hay poco suministro de combustible.</li> </ol>	<ol style="list-style-type: none"> <li>1. Abra la ventana para ventilar la habitación. Deje de utilizar los productos que ocasionan el olor mientras la chimenea esté funcionando.</li> <li>2. Localice y repare todas las fugas (consulte <i>Revisión de las conexiones de gas</i>, en la página 50).</li> <li>3. Surta nuevamente el tanque de suministro (propano o gas LP únicamente).</li> </ol>
El calentador se apaga mientras se está usando (el ODS funciona).	<ol style="list-style-type: none"> <li>1. No hay suficiente aire fresco.</li> <li>2. Hay poca presión en la tubería.</li> <li>3. El piloto con ODS está parcialmente tapado.</li> </ol>	<ol style="list-style-type: none"> <li>1. Abra la ventana y/o la puerta para proporcionar ventilación.</li> <li>2. Contacte a su proveedor local de gas.</li> <li>3. Limpie el piloto con ODS (consulte <i>Cuidado y mantenimiento</i>, en la página 58).</li> </ol>
Hay olor a gas incluso cuando la perilla de control está en la posición OFF (apagado).	<ol style="list-style-type: none"> <li>1. Fugas de gas. Consulte la anotación de Advertencia al inicio de la página 60.</li> <li>2. La válvula de control está defectuosa.</li> </ol>	<ol style="list-style-type: none"> <li>1. Localice y repare todas las fugas (consulte <i>Revisión de las conexiones de gas</i>, en la página 50).</li> <li>2. Reemplace la válvula de control.</li> </ol>
Se observa humedad o condensación en las ventanas	1. No hay suficiente aire para combustión o ventilación.	1. Consulte los requisitos de <i>Aire para combustión y ventilación</i> , página 40.



---

---

## PIEZAS DE REPUESTO

---

---

*Nota: use sólo piezas de repuesto originales. Esto protegerá la cobertura de su garantía para partes reemplazadas bajo la garantía.*

### PIEZAS CON GARANTÍA

Comuníquese con los distribuidores autorizados de este producto. Si no pueden proporcionarle las piezas originales de repuesto, llame gratis al Departamento de Servicio al Cliente al 1-866-573-0674 para obtener información de referencia.

Cuando llame a Servicio al Cliente, tenga preparados:

- su nombre,
- su dirección

- los números de modelo y de serie de su calentador,
- la falla del calentador,
- El tipo de gas utilizado (propano/LP o gas natural/GN)
- la fecha de compra

Por lo general, le pediremos que devuelva la pieza a la fábrica.

### PIEZAS SIN GARANTÍA

Comuníquese con los distribuidores autorizados de este producto. Si no pueden suministrarle piezas de repuesto originales, llame gratis al Departamento de Servicio al Cliente al 1-866-573-0674 para obtener información de referencia.

Cuando llame a Servicio al Cliente, tenga preparados:

- los números de modelo y de serie de su calentador,
- el número de la pieza de repuesto.

---

---

## ACCESORIOS

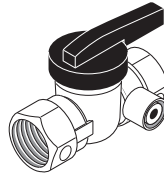
---

---

Adquiera estos accesorios con su distribuidor local. Si no pueden proporcionarle estos accesorios, comuníquese ProCom Heating, Inc. al 1-866-573-0674 para obtener información.

### VÁLVULA DE INTERRUPCIÓN DE EQUIPOS

Para todos los modelos. Válvula de interrupción de equipos con 1/8". Clave de paso del TNP.



---

---

## CONSEJOS PARA SERVICIO

---

---

### Cuando la presión del gas de entrada sea muy baja

- El piloto no permanecerá encendido.
- El quemador tendrá un retraso durante el encendido.
- El calentador no producirá el calor especificado.
- El suministro de propano o gas LP puede ser bajo.

Posiblemente piense que la presión del gas es muy baja. Si es así, comuníquese con el proveedor local de gas.

---

---

## SERVICIO TÉCNICO

---

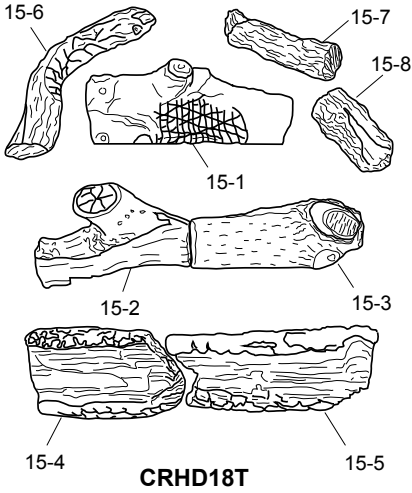
---

Es posible que tenga preguntas adicionales sobre la instalación, el funcionamiento o la solución de problemas. De ser así, póngase en contacto con ProCom Heating, Inc. al 1-866-573-0674.

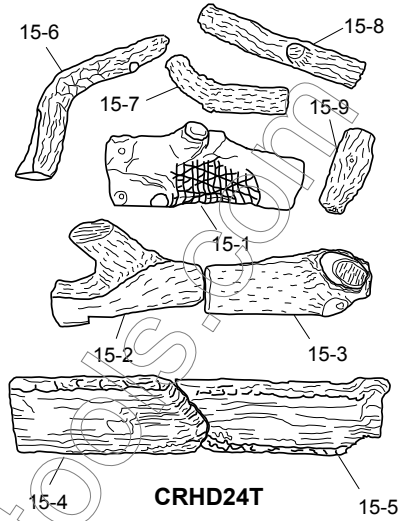
Al llamar tenga a la mano los números de modelo y serie de su calentador.

# PIEZAS

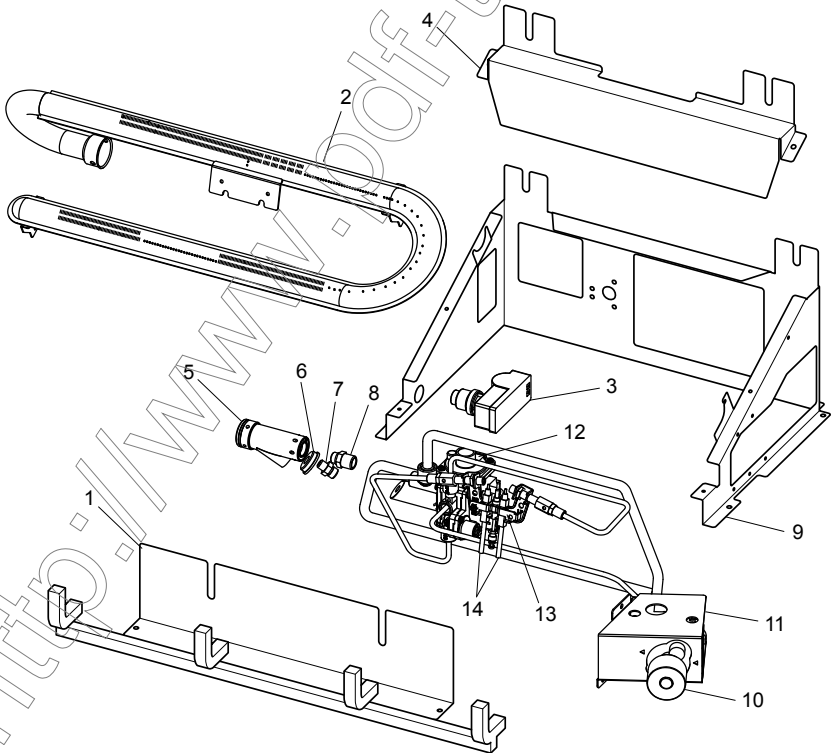
## MODELOS CRHD18T Y CRHD24T



**CRHD18T**



**CRHD24T**



## PIEZAS

### MODELOS CRHD18T Y CRHD24T

Esta lista contiene las piezas reemplazables utilizadas en el calentador. Al hacer un pedido de piezas, siga las instrucciones listadas en Piezas de repuesto en la página 65 de este manual.

Art.	CRHD18T	CRHD24T	Descripción	Cant.
1	**	**	Rejilla de ensamble	1
2	**	**	Quemador de ensamble	1
3	PIMDN1-01	PIMDN1-01	Encendedor	1
4	18UDC1005-01	24UDC1005-01	Soporte de leño medio	1
5	RVD88-YJ	RVD88-YJ	"Y" conjunto	1
6	QD250T133	QD250T133	Retén orificio	1
7	NSNG-005	NSNG-006	NG orificio	1
8	NSLP-005	NSLP-006	LP orificio	1
9	**	**	Base chasis	1
10	STL1001-218-B	STL1001-218-B	Ensamblaje del termostato	1
11	24UDC1006T-01	24UDC1006T-01	Soporte del termostato	1
12	RVD88-Y-4/9	RVD88-Y-4/9	Regulador	1
13	ND0310A-400	ND0310A-400	ODS Piloto	1
14	ML073-04	ML073-04	Cable encendedor	2
15-1	18UDC1008-01	24UDC1008-01	Leño 1	1
15-2	18UDC1008-02	24UDC1008-02	Leño 2	1
15-3	18UDC1008-03	24UDC1008-03	Leño 3	1
15-4	18UDC1008-04	24UDC1008-04	Leño 4	1
15-5	18UDC1008-05	24UDC1008-05	Leño 5	1
15-6	18UDC1008-06	24UDC1008-06	Leño 6	1
15-7	18UDC1008-07	24UDC1008-07	Leño 7	1
15-8	18UDC1008-08	24UDC1008-08	Leño 8	1
15-9	---	24UDC1008-09	Leño 9	1
<b>PIEZAS DISPONIBLES - NO SE MUESTRAN</b>				
	18UDC1012B-01	18UDC1012B-01	Paquete de hardware	1

\*\* No es una pieza que se pueda reemplazar en el sitio.

---

---

## GARANTÍA

---

---

### GUARDE ESTA GARANTÍA

Modelo \_\_\_\_\_

Número de serie \_\_\_\_\_

Fecha de compra \_\_\_\_\_

Conserve su recibo para la verificación de la garantía.

### REGISTRE SU PRODUCTO EN [WWW.USAPROCOM.COM](http://WWW.USAPROCOM.COM)

**IMPORTANTE:** Le pedimos que registre su producto dentro de los 10 días de la fecha de instalación, lleve a cabo con el número de serie completa que se puede encontrar en la placa de características. Por favor llene la información anterior garantía para sus archivos personales. Conserve este manual para futuras consultas.

Siempre especifique números de serie y modelo cuando se comunique con servicio al cliente.

Nos reservamos el derecho a modificar estas especificaciones en cualquier momento sin previo aviso. La única garantía aplicable es nuestra garantía escrita estándar. No hacemos ninguna otra garantía, expresa o implícita.

### GARANTÍA LIMITADA

ProCom Heating, Inc. garantiza que este producto está libre de defectos en materiales y componentes por un 1 año desde la fecha de la primera compra, siempre que el producto ha sido correctamente instalado, operado y mantenido de conformidad con todas las instrucciones aplicables. Para hacer un reclamo bajo esta garantía, la factura de venta o cheque cancelado deberá presentarse.

### RESPONSABILIDAD DEL PROPIETARIO

Esta garantía se extiende sólo al comprador original. Esta garantía cubre el costo de las piezas necesarias para restaurar este calentador y dejarlo en buen estado de funcionamiento. Las piezas de garantía deben obtenerse a través de ProCom Heating, Inc. que ofrece piezas originales de fábrica. No utilizar repuestos originales de fábrica anula esta garantía. El calentador debe ser instalado por personal calificado de conformidad con todos los códigos locales e instrucciones de la unidad.

### LO QUE NO ESTÁ CUBIERTO

Esta garantía no se aplica a piezas que no están en condición original debido a desgaste normal o que o se dañen debido a mal uso, accidentes, falta de mantenimiento adecuado o defectos causados por la instalación incorrecta. Viajes, costo de diagnóstico, trabajo, transporte y todos los gastos relacionados con la reparación de un calentador defectuoso será responsabilidad del propietario.

EN LA MEDIDA PERMITIDA POR LA LEY DE LA JURISDICCIÓN QUE RIGE LA VENTA DEL PRODUCTO, ESTA GARANTÍA EXPRESA EXCLUYE CUALQUIERA Y TODAS LAS OTRAS GARANTÍAS EXPRESADAS Y LIMITA LA DURACIÓN DE CUALQUIER GARANTÍA IMPLÍCITA. INCLUYENDO LAS GARANTÍAS DE COMERCIABILIDAD Y ADECUACIÓN PARA UN PROPÓSITO PARTICULAR A 1 UN AÑO EN TODOS LOS COMPONENTES DE LA FECHA DE LA PRIMERA COMPRA. LA RESPONSABILIDAD DE PROCOM HEATING, INC. QUEDARÁ LIMITADA AL PRECIO DE COMPRA DEL PRODUCTO Y PRO-COM NO SERÁ RESPONSABLE POR CUALQUIER OTRO DAÑO INCLUYENDO DAÑOS INDIRECTOS. DAÑOS INCIDENTALES O CONSECUENTES.

Algunos Estados no permiten una limitación sobre cuánto tiempo una garantía implícita dura o una exclusión o limitación de daños fortuitos o consecuentes, la limitación anterior sobre las garantías implícitas o la exclusión o limitación de daños puede no aplicarse a usted.

Esta garantía le otorga derechos legales específicos, y usted también puede tener otros derechos que varían de Estado a estado.



ProCom Heating, Inc.  
Bowling Green, KY 42101  
[www.usaprocom.com](http://www.usaprocom.com)  
1-866-573-0674

200133-01  
Rev. A  
04/14