

# VIGO INDUSTRIES INSTALLATION GUIDE FOR STANDING SHOWER CABIN (MODEL VG06063)



## SAFETY PRECAUTIONS

**This Installation Guide uses the following symbols to indicate important information. Always observe the instructions indicated by these symbols.**

### **WARNING**

Instructions that, if ignored, could result in death or serious personal injury caused by incorrect handling or installation of the product. These instructions must be observed for safe installation.

### **CAUTION**

Instructions that, if ignored, could result in personal injury or material damage caused by improper handling or installation of the product. These instructions must be observed for safe installation.

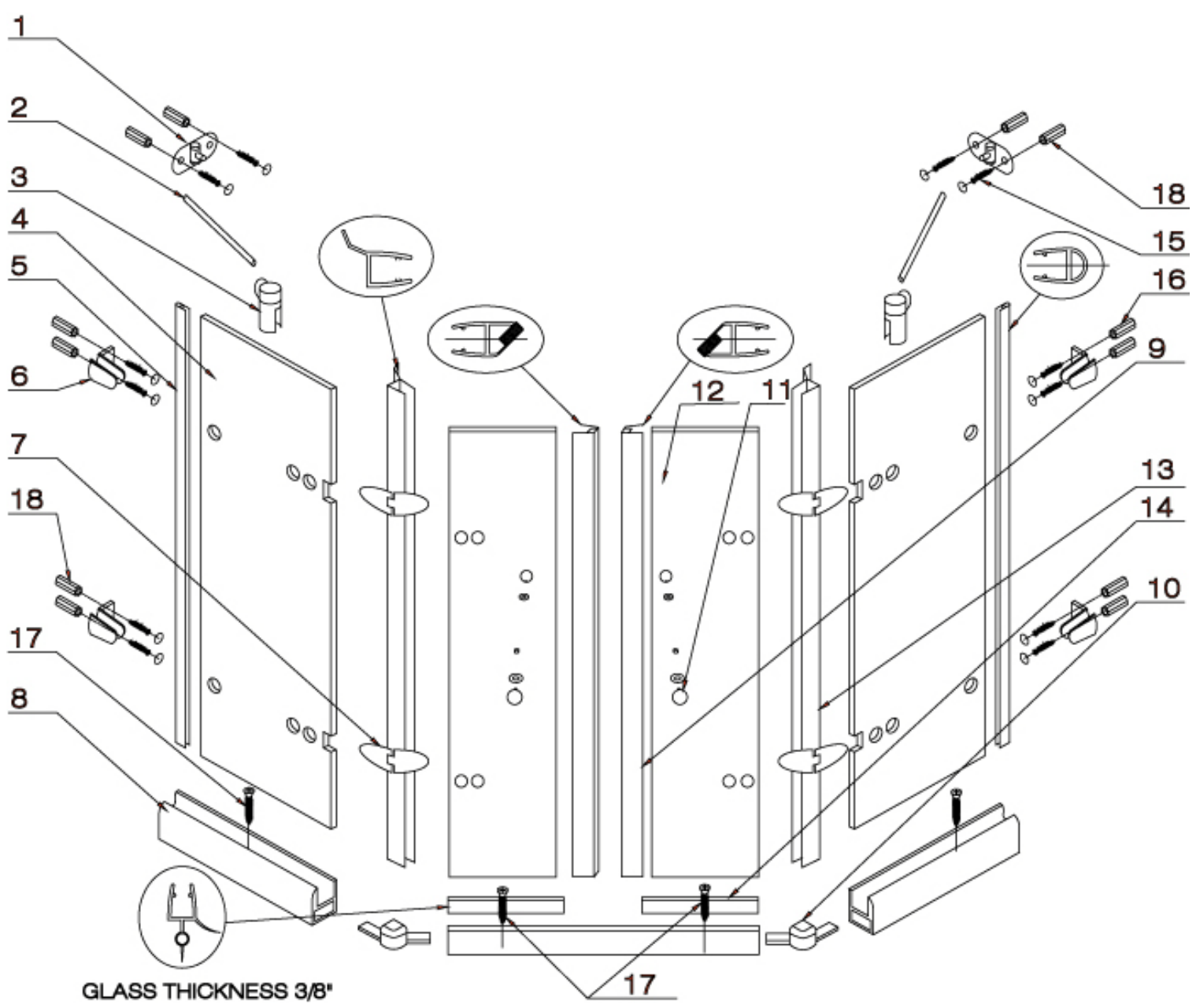
### **IMPORTANT**



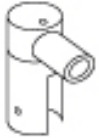

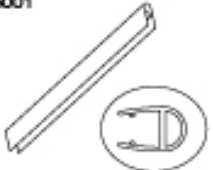
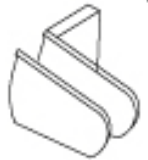
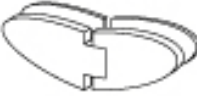

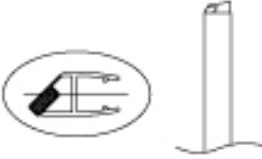


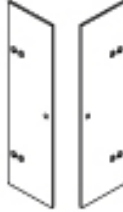
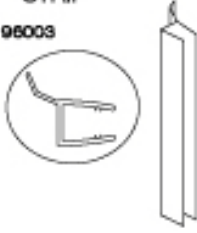
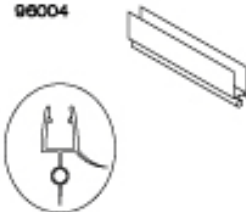




Maintenance and other important non-personal injury and non-material damage instructions or statements that should be observed.

# VIGO INDUSTRIES INSTALLATION GUIDE FOR STANDING SHOWER CABIN (MODEL VG06063)

## PACKING LIST:

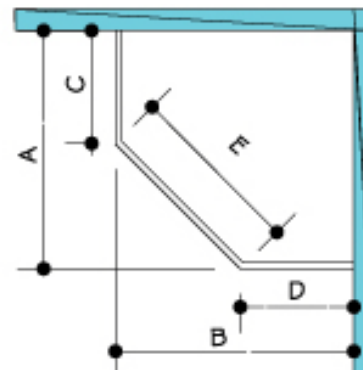
- |   |                                   |                                  |
|---|-----------------------------------|----------------------------------|
| 1. Wall connector (2pc)                     | 7. Hinge (4pc)                    | 13. Door side seal strip (3pc)   |
| 2. Structural arm (2pc)                     | 8. Bottom rail (3pc)              | 14. Door bottom seal strip (3pc) |
| 3. Support assembly (2pc)                   | 9. Door magnetic seal strip (2pc) | 15. Phillips screw 1-1/8" (4pc)  |
| 4. Side glass panel (with hinge slots, 1pc) | 10. Bottom corner joint (2pc)     | 16. Phillips screw 2" (8pc)      |
| 5. Side seal strip (2pc)                    | 11. Handle assembly (2 sets)      | 17. Phillips screw 3/4" (4pc)    |
| 6. Glass support (4pc)                      | 12. Door (2pc)                    | 18. Plastic anchors (16pc)       |



<p>1. WALL CONNECTOR 98001</p> 	<p>2. STRUCTURAL ARM 98002-42 98002-47</p> 	<p>3. SUPPORT ASSEMBLY 98003</p> 	<p>4. SIDEPANEL 97001-42 97001-47</p> 	<p>5. SIDE SEAL STRIP 98001</p> 
<p>6. GLASS SUPPORT 98004</p> 	<p>7. HINGE ASSEMBLY 98015</p> 	<p>8. BOTTOM RAIL 95001-42 95001-47</p> 	<p>9. MAGNETIC SEAL STRIP 98002</p> 	<p>10. CORNER JOINT 94001</p> 
<p>11. DOOR HANDLE ASSEMBLY 98014</p> 	<p>12. DOOR 97002-12</p> 	<p>13. DOOR SIDE SEAL STRIP 98003</p> 	<p>14. DOOR BOTTOM SEAL STRIP 98004</p> 	<p>15. PHILLIPS SCREW 1 1/8"</p> 
<p>16. PHILLIPS SCREW 2"</p> 	<p>17. PHILLIPS SCREW 3/4"</p> 	<p>18. WALL PLUG</p> 		

MODEL	DIMENSION 'A'	DIM. 'B'	DIM. 'C'	DIM. 'D'	DIM. 'E'	HEIGHT*	#4- SIDE GLASS PANEL (97001)	#12- DOOR PANEL (97002)
42x42	40***	40***	20 3/4"	20 3/4"	26 1/16"	73 1/3"	20 1/2"x71 5/8"	12 5/8"x70 3/4"
47x47	45 9/16***	45 9/16***	26 5/16"	26 5/16"	26 15/16"	73 1/3"	26"x71 5/8"	12 5/8"x70 3/4"

\* - WITH HARDWARE AND WITHOUT SHOWER BASE  
 \*\* - EXTERIOR SIZES  
 A, B, C, D & E DIMENSIONS WERE MEASURED AFTER SHOWER ENCLOSURE WAS COMPLETELY INSTALLED



## **⚠ WARNING**

WE STRONGLY RECOMMEND THAT A LICENSED PLUMBER INSTALL THIS STANDING SHOWER CABIN AND INCLUDE THE ASSISTANCE OF A SECOND PERSON TO INSTALL THE DOOR UNIT.

INSTALLATION OF THE SHOWER DOORS BY AN INEXPERIENCED PERSON MAY RESULT IN GLASS BREAKAGE AND, CONSEQUENTLY, CAUSE PERSONAL INJURY OR DEATH.

## **BEFORE STARTING**

Compare items on your invoice with what you have received. Carefully review the Packing List on page 2.

If any item is missing, please call Vigo Industries at 1-866-591-7792.

## **REQUIRED TOOLS**

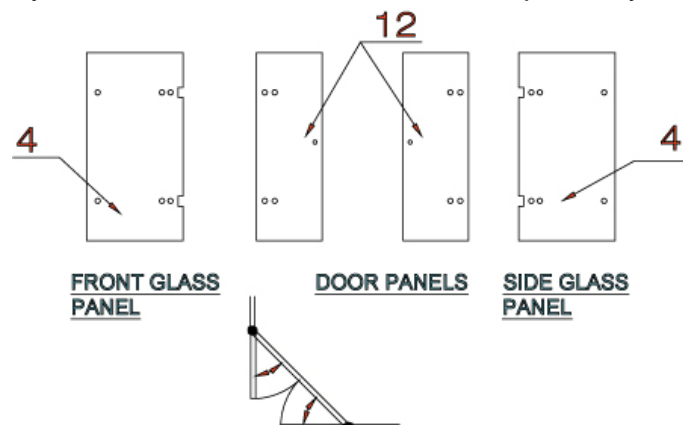
- Square and/or Phillips #1 and #2 screwdriver
- Flat head screwdriver
- Electric drill plus a 1/8", 3/16", or 7/32" drill bit (depending on wall)
- Level
- Measuring Tape
- Pencil (non-permanent; HB)
- Clear silicone caulking
- Utility knife

## **⚠ WARNING**

- Handle fragile items with care to prevent personal injury or material damage.
- Glass on panels and doors is tempered glass and must never be cut to prevent personal injury.

## **⊘ IMPORTANT**

- Fiberglass or acrylic construction might not be sufficiently strong enough to support the shower door enclosure. You should use the wood framing from behind the face edge of the stall to provide a secure mounting to the door. Apply a bead of silicone between the walls and base of the stall.
- For optimum performance, you should install the shower door perfectly level on a level surface.



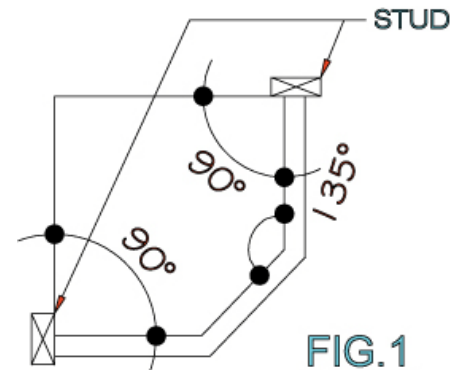
**FIG. 1A (GLASS CONFIGURATION DIAGRAM)**

## PREPARATION STEPS TO FOLLOW BEFORE INSTALLATION

1. Remove the plastic layer from the base border (if needed). Do **NOT** remove the plastic layer off the plastic platform of the base.
2. Properly apply silicone to the wall and base joints.

### ⊘ IMPORTANT

- To prevent damage to the finish, you should protect the shower cabin bottom with a cardboard protector before beginning the installation.
- Ensure that there is sufficient structural support behind the shower wall to hold the weight of the shower door. If there is not sufficient enough support, then reinforce the shower walls with wooden studs prior to shower door installation. [SEE FIG.1]



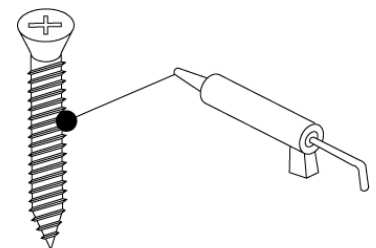
## INSTALLATION STEPS

### A. INSTALLING THE BOTTOM RAIL

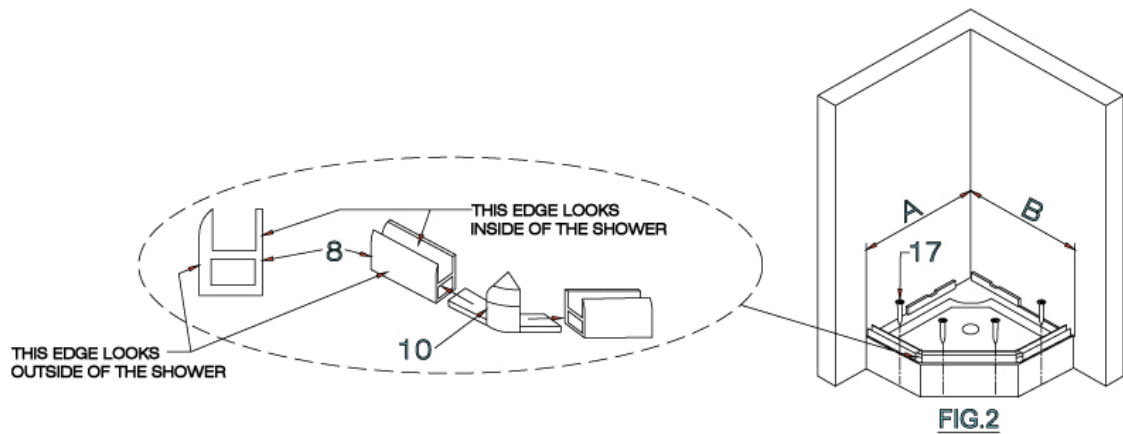
#### ⚠ CAUTION

OUTSIDE EDGE OF THE BOTTOM RAIL IS HIGHER THAN THE INSIDE EDGE

1. Slide the bottom corner joint (#10) onto the bottom rail (#8). [SEE FIG.2]
2. Align the bottom rail and corner joint to the desired position on the shower base. Make sure that the A and B distances are correct (see pg. 2 for A and B distances).
3. Seal the bottom rail to the shower base with clear silicone caulk and center its sides to the base according to the A and B measurements.
4. Apply silicone to the 3/4" screw (#15) threads. [SEE FIG.2A]
5. Screw the bottom rail to the base with the screws.
6. Clip the aluminum cover to the center piece of the bottom rail.

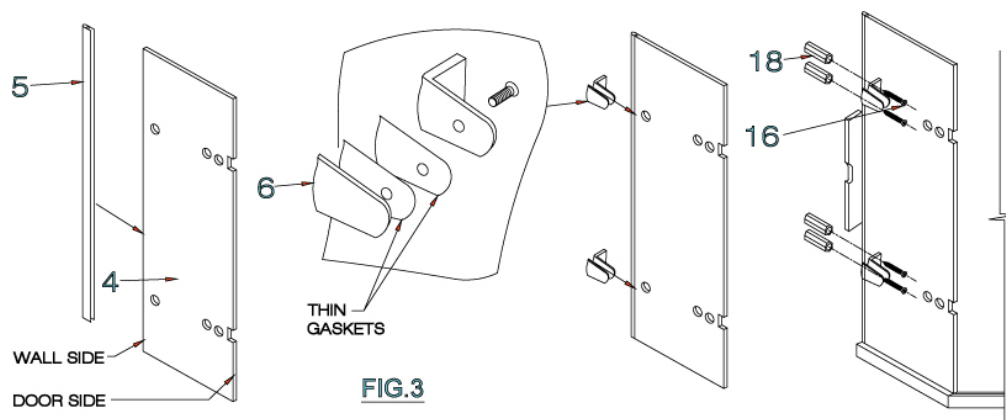


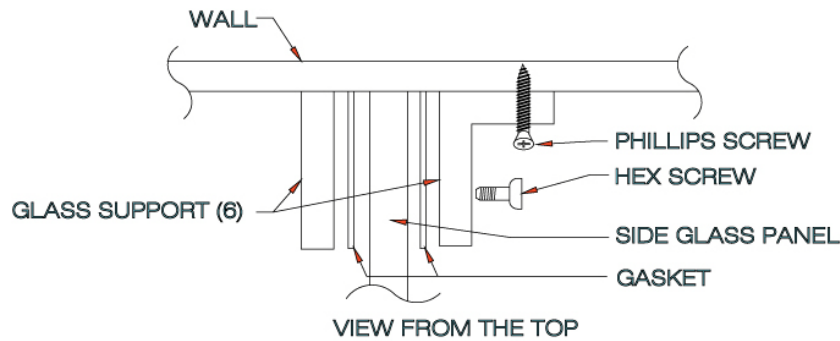
**FIG.2A**



## B. INSTALLING THE SIDE GLASS PANEL

1. Arrange the glass panel to the preferred configuration (see diagram on pg. 3).
2. Select the door opening location on the shower cabin.
3. Install the side seal strip (#5) to the wall side of the hinged side glass panel (#4). [SEE FIG.3]
4. Screw the glass support (#6) to the side glass panel using the hex key (supplied). Use a washer on each side of the side glass panel.
5. Place the side glass panel on the bottom rail (#8). Use the level to accurately position the panel.
6. Mark holes on the wall for the mounting screws.
7. Remove the side glass panel. Drill holes into respective marks and insert plastic anchors (#18) inside them.
8. Place the side glass panel back onto the bottom rail and screw it to the wall with 2" screws (#16).
9. Repeat Steps 1 through 8 for the unhinged side glass panel (#4).





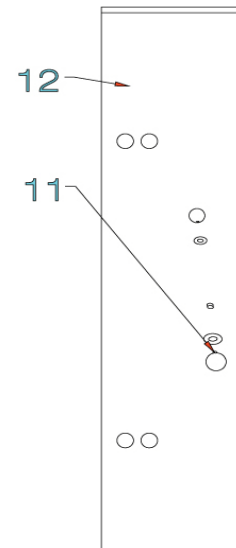
**FIG. 4**

**C. INSTALLING THE HANDLE**

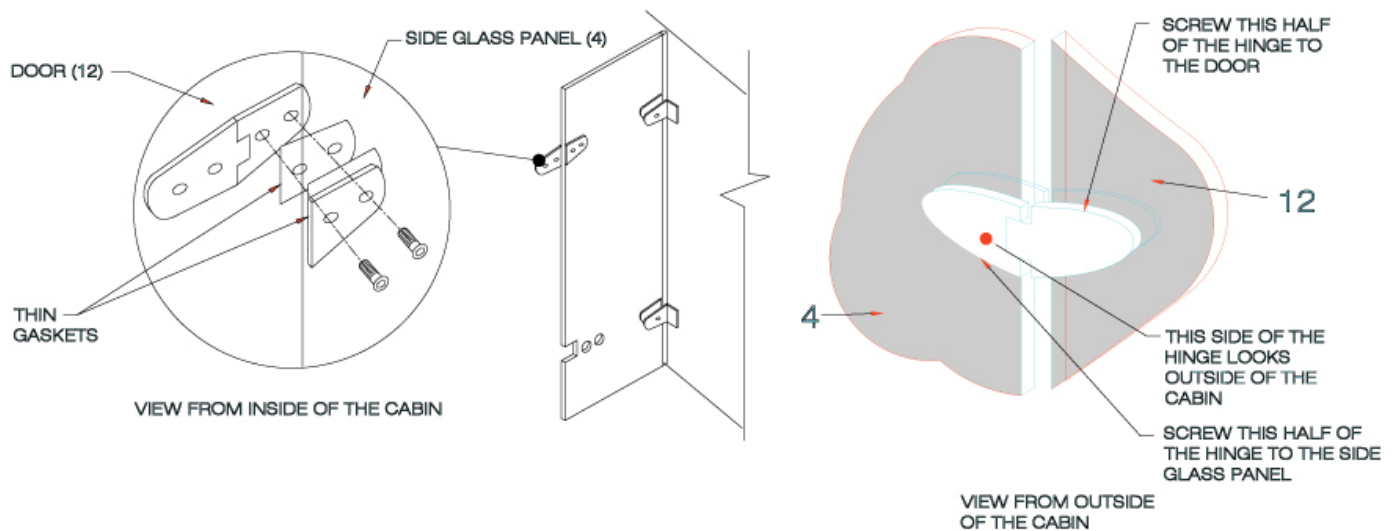
Assemble the door handles (#11) to the door (#12). Repeat for the other door. [SEE FIG.5]

**D. INSTALLING THE HINGE**

1. Clean the glass surfaces on the side glass panel (#4) where the hinges (#7) are to be installed with rubbing alcohol.
2. Position hinges on the side glass panel. [SEE FIG.6]
3. Place washers on each side of the side glass panel. Screw the hinges to the side glass panel with the hex key (supplied).



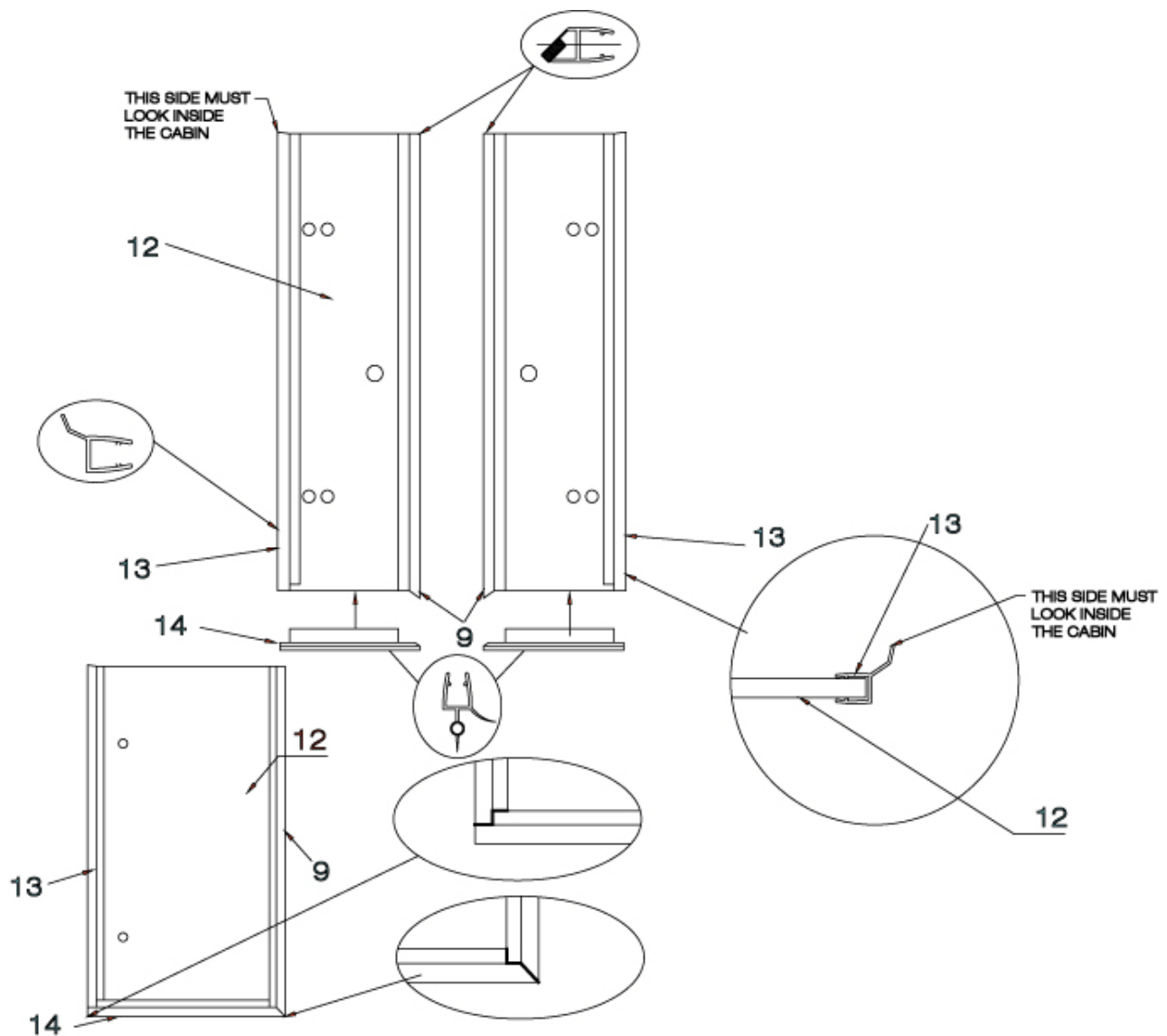
**FIG. 5**



**FIG. 6**

## E. INSTALLING THE WATER SEAL STRIP

1. Clean the side glass panel (#4) edges where the door side seal strip (#13) and the door bottom seal strip (#14) are to be installed with rubbing alcohol.
2. Cut the seal strips according to the diagram. [SEE FIG.7]
3. Verify that the lips of both seal strips face toward the inside of the shower cabin before seal strip installation.
4. Install the seal strips according to the diagram.



**FIG.7** SEAL STRIP INSTALLATION

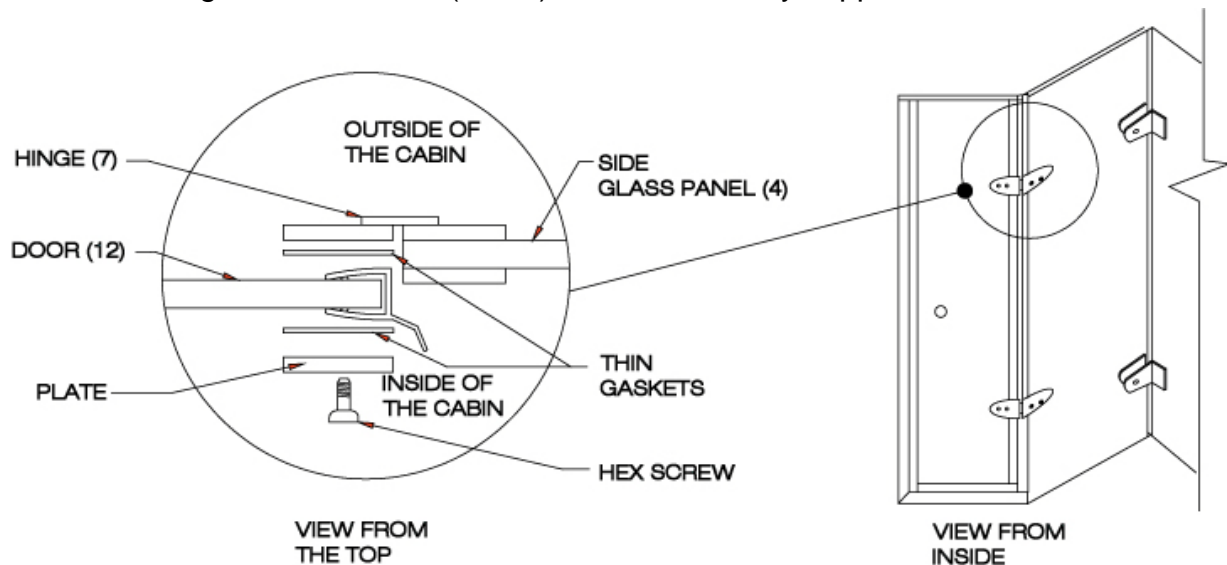


## F. INSTALLING THE DOOR PANEL

### **⚠ WARNING**

DOOR PANEL INSTALLATION REQUIRES TWO OR MORE PEOPLE TO ASSIST

1. Clean the door (#12) glass surfaces where the hinges (#7) are to be installed with rubbing alcohol. [SEE FIG.8]
2. Position the door onto the hinges. Hold securely in place.
3. Place a thin gasket (supplied) on each side of the door between the glass and hinge while holding the door in place.
4. Install the hinges as illustrated (FIG.8). Use the hex key supplied.



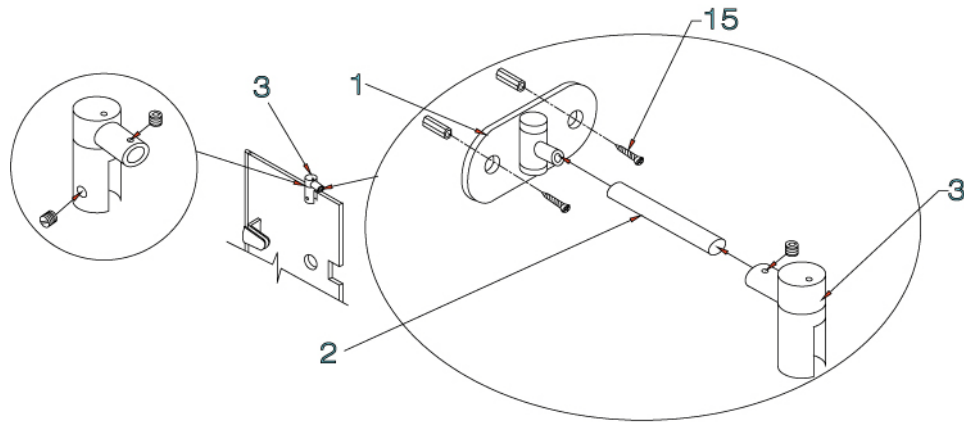
**FIG.8**

## G. INSTALLING THE SIDE PANEL SUPPORT ASSEMBLY

1. Install the support assembly (#3) onto the side glass panel (#4) approximately two-thirds away from the wall. Use hex key to tighten the screws. [SEE FIG.9]
2. Install the support assembly to the structural arm (#2) and wall connector (#1).
3. Mark holes on the wall for the mounting screws.
4. Remove the support assembly. Drill holes into respective marks and put plastic anchors (#18) in them.
5. Replace wall connector to proper position. Screw it in to the wall with 1-1/8" screws (#15).

6. Tighten all screws.

7. Repeat Steps 1 through 6 to install the other support assembly (#3).



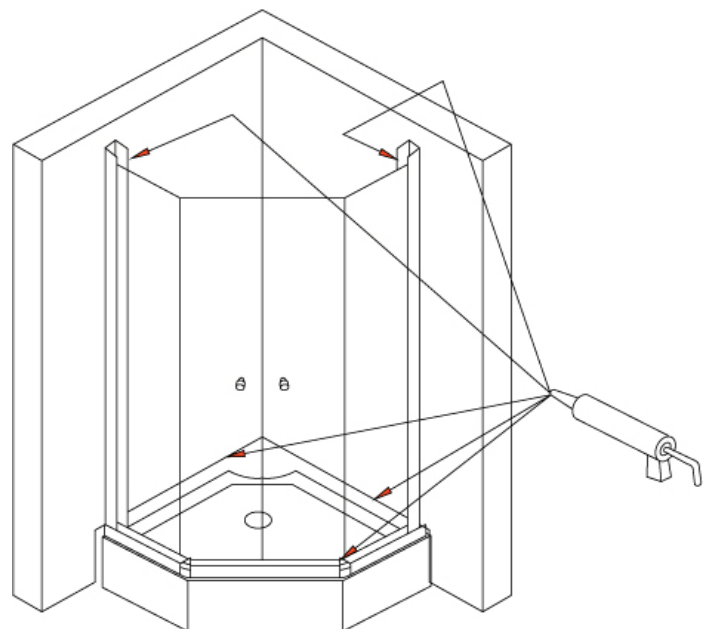
**FIG.9**

### H. APPLYING THE SILICONE

1. Apply silicone caulk from the inside between the wall and side seal strips.
2. Apply silicone caulk from the inside between the bottom of side glass panels and bottom rail.
3. Apply silicone caulk around the inside perimeter of the bottom rail.

### IMPORTANT

- **WAIT 24 HOURS BEFORE USING SHOWER.**
- **DO NOT ALLOW WATER TO DIRECTLY HIT DOOR SEAL STRIP.**



**FIG.10**

## **CLEANING INSTRUCTIONS FOR THE SHOWER CABIN AND DOOR PANEL**

- A. Use mild liquid household cleaners to keep metal surface bright and clean. Rinse well and dry with a clean cloth.
- B. Remove dust with a soft, damp cloth.
- C. Use rubbing alcohol to clean and remove grease, oil, paint, and ink.
- D. Accidental scratches or stains will rarely show. If they do show, they can be easily removed with a liquid automobile polish.

### **⚠ IMPORTANT**

- **Do NOT use** abrasive cleaners, scrapers, metal brushes, or any items/products that would scratch and/or dull surface.
- **Do NOT allow** surface to come into contact with acetone (nail polish remover), dry cleaning solution, lacquer thinner, gasoline, or any other similar product.

## LIMITED WARRANTY

**VIGO** offers the following express limited warranty on each of its products. This warranty extends only to the original owner or end-user for personal household use. For commercial uses, additional limitations apply.

**VIGO** warrants acrylic units to be free from defects in workmanship and materials under normal use and service for a period of twenty (20) years from the initial date of purchase by the owner or end-user, contractor, or builder, from an authorized dealer.

**VIGO** warrants shower panels to be free from defects in workmanship and materials under normal use and service for a period of one (1) year from the initial date of purchase by the owner or end-user, contractor, or builder, from an authorized dealer.

**VIGO** warrants shower doors to be free from defects in workmanship and materials under normal use and service for a period of ten (10) years from the initial date of purchase by the owner or end-user, contractor, or builder, from an authorized dealer.

**VIGO** warrants faucets to be free from defects in workmanship and materials under normal use and service for a period of one (1) years from the initial date of purchase by the owner or end-user, contractor, or builder, from an authorized dealer.

Any product reported to the authorized dealer or to **VIGO** as being defective within the warranty period will be repaired or replaced (with a product of equal value) at the option of **VIGO**. This warranty extends to the original owner or end-user and is not transferable to a subsequent owner.

Neither the distributor, authorized **VIGO** dealer, nor any other person has been authorized to make any affirmation, representation, or warranty other than those contained in this warranty; any affirmation, representation, or warranty other than those contained in this warranty shall not be enforceable against **VIGO** or any other person.

**VIGO** reserves the right to modify this warranty at any time, it being understood that such modifications will not alter the warranty conditions applicable at the time of sale of the products in question.

**EFFECTIVE JANUARY 1, 2004**

### Limitations

This warranty shall not apply following incorrect operating procedures, breakages, or damages caused by fault, carelessness, abuse, misuse, misapplication, improper maintenance, alteration, or alteration of the unit, as well as chemical or natural corrosion, accident, fire, flood, an act of God, or any other casualty. The owner/end-user of the product covered by the present warranty is entirely responsible for its proper installation and electrical wiring. **VIGO** neither installs nor supervises the installation nor hires a contractor for this purpose; consequently, **VIGO** cannot be held responsible for any default, breakage, or damages caused thereby or resulting thereof, either directly or indirectly. The owner/end-user must provide access to the components of the product as described in the installation guide so that **VIGO** can execute the warranty specified herein. If such access is not available, all expenses to provide said access will be the responsibility of the owner/end-user.

This warranty does not apply to products or equipment not installed or operated in accordance with instructions supplied by **VIGO** and all applicable rules, regulations, and legislation pertaining to such installations.

**VIGO** strongly recommends that its products – for example but without limitation, shower doors and other items – be installed by professionals with experience in bathroom products. Installation of shower doors by an inexperienced person may result in glass breakage and, consequently, cause personal injury or death.

**VIGO** is not liable for any costs, damages, or claims resulting from the purchase of products that do not fit through openings or existing structures. **VIGO** is not liable for any costs, damages, or claims resulting from defects that could have been discovered, repaired, or avoided by inspection and testing prior to installation.

**VIGO** is not liable for personal injuries or deaths to any persons or for any direct, special, incidental, or consequential damage, loss of time, loss of profits, inconvenience, incidental expenses, labor or material charges, or any other costs resulting from the use of the product or equipment or pertaining to the application of the present warranty, or resulting from the removal or replacement of any product or element or part covered by this warranty.

**EXCEPT AS OTHERWISE PROVIDED ABOVE, VIGO MAKES NO WARRANTIES, EXPRESS OR IMPLIED, INCLUDING WARRANTIES OF MERCHANTABILITY AND FITNESS FOR A PARTICULAR PURPOSE OR COMPLIANCE WITH ANY CODE.**

In any case, **VIGO** cannot be held liable for any amount over and above the purchase price paid for the product by the owner/end-user, contractor, or builder.

### Commercial Limitations

In addition to the above conditions and limitations, the warranty period for products installed for commercial applications or used in commercial ventures is one (1) year from the initial date of purchase by the owner/end-user, contractor, or builder from an authorized dealer. **VIGO** is not responsible for loss of use or profit under any circumstances. If the product is used as a display, the warranty period begins when the product is placed on display.

This warranty gives the owner/end-user specific legal rights. The owner/end-user may also have other rights which can vary from one state or province to another.

### Warranty Service

In order to obtain service provided under this warranty during regular business hours, contact the dealer or distributor who sold the unit, or contact **VIGO** directly. **VIGO** will provide the warranty service described above when the following conditions have been met: the failure is of the nature or type covered by the warranty; the user has informed an authorized **VIGO** Agent or Warranty Service Department representative of the nature of the problem during the warranty period; conclusive evidence (e.g., proof of purchase or installation) is provided to the foregoing by the user proving that the failure occurred or was discovered within the warranty period; an authorized independent service person or company representative has been permitted to inspect the product during regular business hours within a reasonable time after the problem was reported by the user.

**VIGO's** warranty obligation shall be discharged upon tender of replacement or repair. The customer's refusal to accept the tender terminates **VIGO's** warranty obligations.

Certain models are pending approval.

Certification may be ended by **VIGO** or certification agencies without notice.