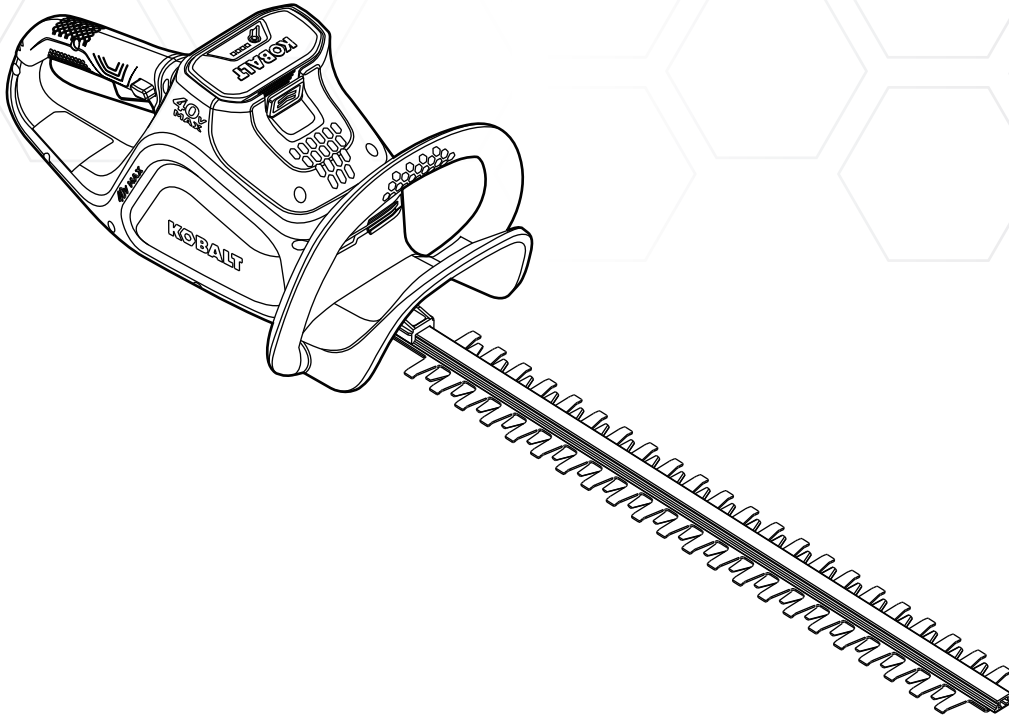


KOBALT™



ITEM #0796788

40 V HEDGE TRIMMER

MODEL #KHT 240-07

Español p. 17


US
218549

ATTACH YOUR RECEIPT HERE

Serial Number _____ Purchase Date _____



Questions, problems, missing parts? Before returning to your retailer, call our customer service department at **1-888-3KOBALT** (1-888-356-2258), 8 a.m. - 8 p.m., EST, Monday - Friday.

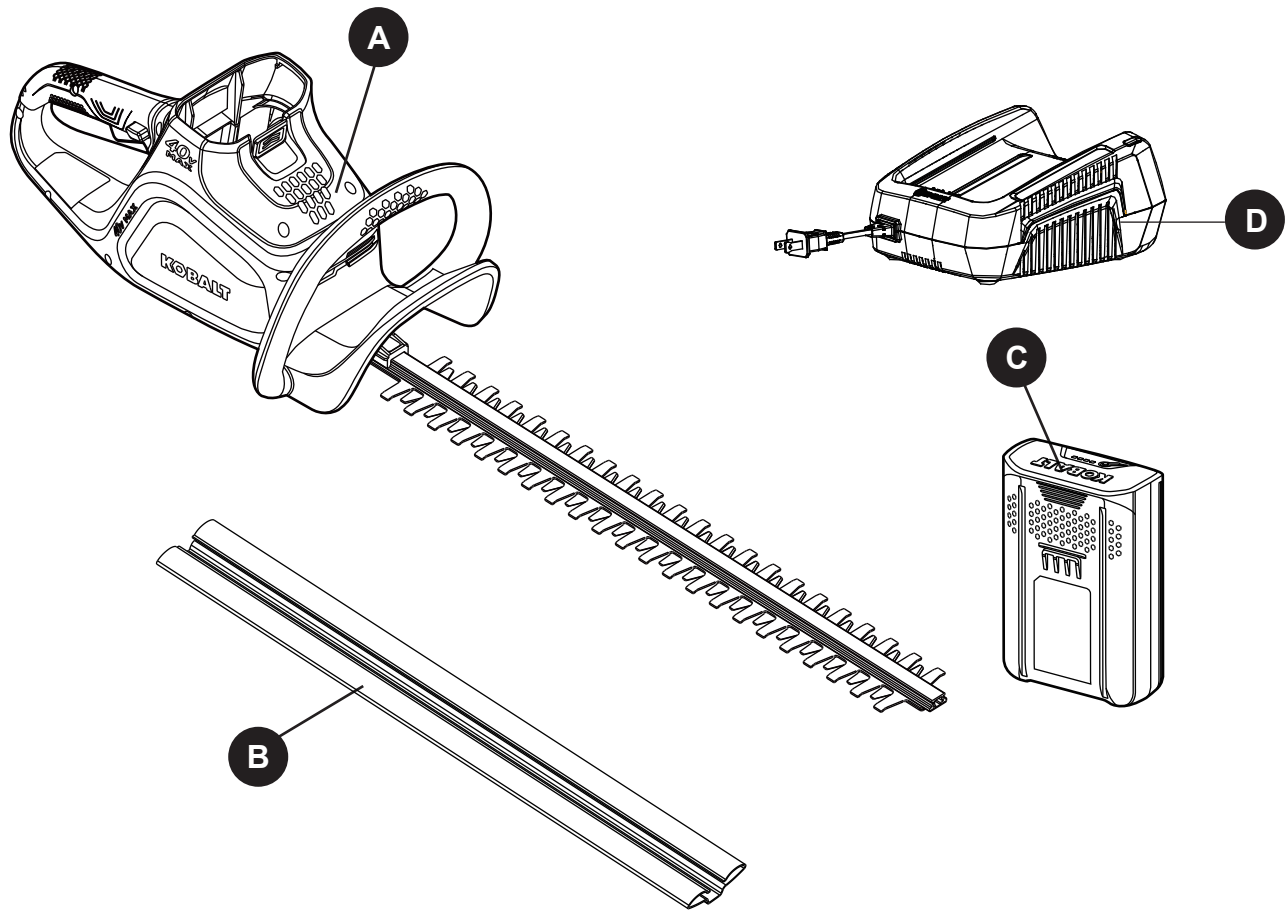
TABLE OF CONTENTS

Product Specifications	2
Package Contents	3
Symbols	4
Safety Information	6
Preparation	10
Know Your Hedge Trimmer	10
Operating Instructions	11
Care and Maintenance.....	13
Troubleshooting	14
Warranty	15
Replacement Parts List	16

PRODUCT SPECIFICATIONS

COMPONENTS	SPECIFICATIONS
Type	Cordless, battery-operated
Blade length	24 in.
Cutting capacity	3/4 in.
Reciprocating speed	3,000 ($\pm 10\%$) SPM
Weight (without battery)	6.86 lbs.











PACKAGE CONTENTS



PART	DESCRIPTION	QUANTITY
A	Hedge Trimmer	1
B	Scabbard	1
C	Battery	1
D	Charger	1

SYMBOLS




Some of the following symbols may be used on this product. Please study them and learn their meaning. Proper interpretation of these symbols will allow you to operate the product better and safer.

SYMBOL	DESIGNATION	EXPLANATION
V	Volts	Voltage
A	Amperes	Current
Hz	Hertz	Frequency (cycles per second)
W	Watt	Power
SPM	Strokes per minute	The number of back-and-forth strokes the blade makes per minute
	Alternating Current	Type of current
	Direct Current	Type or a characteristic of current
	Wet Conditions Alert	Do not expose to rain or use in damp locations
	Read the Operator's Manual	To reduce the risk of injury, user must read and understand operator's manual before using this product.
	Safety Alert	Precautions that involve your safety.
	Keep Bystanders Away	Keep all bystanders at least 50 ft. away.
	Eye protection	Wear eye protection with side shields that are marked to comply with ANSI Z87.1 when operating this equipment.
	Ricochet	Thrown objects can ricochet and result in personal injury or property damage.
	Sharp Blade	Do not install or use any type of blade on a product displaying this symbol.
	Gloves	Wear non-slip, heavy duty gloves.


SYMBOLS

Save these Instructions

The following signal words and meanings are intended to explain the levels of risk associated with this product.

SYMBOL	SIGNAL	MEANING
	DANGER	Indicates an imminently hazardous situation, which, if not avoided, will result in death or serious injury.
	WARNING	Indicates a potentially hazardous situation, which, if not avoided, could result in death or serious injury.
	CAUTION	Indicates a potentially hazardous situation, which, if not avoided, may result in minor or moderate injury.
	CAUTION	(Without Safety Alert Symbol) Indicates a situation that may result in property damage.

WARNING

- To avoid serious personal injury, do not attempt to use this product until you have read this Owner's Manual thoroughly and understand it completely. If you do not understand the warnings and instructions in this Owner's Manual, do not use this product. Call 1-888-356-2258 for assistance.
-  The operation of any power tool can result in foreign objects being thrown into your eyes, which can result in severe eye damage. Before beginning power tool operation, always wear safety goggles or safety glasses with side shields and, when needed, a full face shield. We recommend a wide vision safety mask for use over eyeglasses or standard safety glasses with side shields. Always use eye protection which is marked to comply with ANSI Z87.1.

SAFETY INFORMATION

WARNING

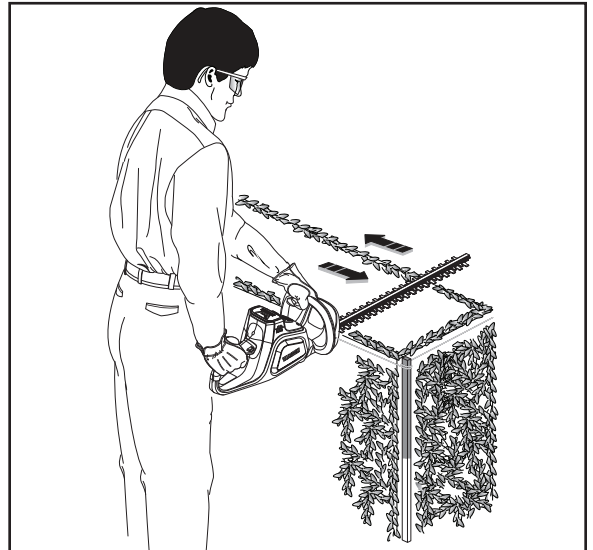
Read all safety warnings and all instructions. Failure to follow the warnings and instructions may result in electric shock, fire, and/or serious injuries.

Save all warnings and instructions for future reference.

The term “power tool” in all of the warnings listed below refers to your mains-operated (corded) power tool or battery-operated (cordless) power tool.

WORK AREA SAFETY

- **Keep work area clean and well lit.** Cluttered or dark areas invite accidents.
- **Do not operate power tools in explosive atmospheres, such as in the presence of flammable liquids, gases or dust.** Power tools create sparks which may ignite the dust or fumes.
- **Keep children and bystanders away while operating a power tool.** Distractions can cause you to lose control.



ELECTRICAL SAFETY

- **A battery-operated tool with integral batteries or a separate battery pack must be recharged only with the specified charger for the battery.** A charger that may be suitable for one type of battery may create a risk of fire when used with another battery.
- **Avoid body contact with earthed or grounded surfaces such as pipes, radiators, ranges and refrigerators.** There is an increased risk of electric shock if your body is earthed or grounded.
- **Do not expose power tools to rain or wet conditions.** Water entering a power tool will increase the risk of electric shock.
- **Use a battery-operated tool only with specified battery pack.** Use of any other batteries may create a risk of fire.
- **If operating a power tool in a damp location is unavoidable, use a residual current device (RCD) protected supply.** Use of an RCD reduces the risk of electric shock.
- **Use only 40 V Kobalt batteries (KB 240-06, KB 440-06, KB 245-06, KB 540-06).**

PERSONAL SAFETY

- **Stay alert, watch what you are doing and use common sense when operating a power tool. Do not use a power tool while you are tired or under the influence of drugs, alcohol or medication.** A moment of inattention while operating power tools may result in serious personal injury.
- **Use personal protective equipment. Always wear eye protection.** Protective equipment such as a dust mask, non-skid safety shoes, a hard hat, or hearing protection used for appropriate conditions will reduce personal injuries.
- **Prevent unintentional starting. Ensure the switch is in the off-position before connecting to power source and/or battery pack, picking up or carrying the tool.** Carrying power tools with your finger on the switch or energizing power tools that have the switch on invites accidents.
- **Remove any adjusting key or wrench before turning the power tool on.** A wrench or a key left attached to a rotating part of the power tool may result in personal injury.
- **Do not overreach. Keep proper footing and balance at all times.** This enables better control of the power tool in unexpected situations.

SAFETY INFORMATION

- **Dress properly. Do not wear loose clothing or jewelry. Keep your hair, clothing and gloves away from moving parts.** Loose clothes, jewelry, or long hair can be caught in moving parts.
- **If devices are provided for the connection of dust extraction and collection facilities, ensure these are connected and properly used.** Use of these devices can reduce dust-related hazards.



Always wear eye protection. A hedge trimmer can throw foreign objects into your eyes which could cause permanent eye damage. Always wear safety goggles with side shields that are marked to comply with ANSI Z87.1. Ordinary eyeglasses have only impact-resistant lenses; they are not safety goggles.

POWER TOOL USE AND CARE

- **Do not force the power tool. Use the correct power tool for your application.** The correct power tool will do the job better and safer at the rate for which it was designed.
- **Do not use the power tool if the switch does not turn it on and off.** Any power tool that cannot be controlled with the switch is dangerous and must be repaired.
- **Disconnect the battery pack from the power tool before making any adjustments, changing accessories, or storing power tools.** Such preventive safety measures reduce the risk of starting the power tool accidentally.
- **Store idle power tools out of the reach of children and do not allow persons unfamiliar with the power tool or these instructions to operate the power tool.** Power tools are dangerous in the hands of untrained users.
- **Maintain power tools. Check for misalignment or binding of moving parts, breakage of parts and any other condition that may affect the power tools operation. If damaged, have the power tool repaired before use.** Many accidents are caused by poorly maintained power tools.
- **Keep cutting tools sharp and clean.** Properly maintained cutting tools with sharp cutting edges are less likely to bind and are easier to control.
- **Use the power tool, accessories and tool bits, etc., in accordance with these instructions, taking into account the working conditions and the work to be performed.** Use of the power tool for operations different from those intended could result in a hazardous situation.

BATTERY TOOL USE AND CARE

- **Ensure the switch is in the off position before inserting battery pack.** Inserting the battery pack into power tools that have the switch on invites accidents.
- **Recharge only with the charger specified by the manufacturer.** A charger that is suitable for one type of battery pack may create a risk of fire when used with another battery pack.
- **Use power tools only with specifically designated battery packs.** Use of any other battery packs may create a risk of injury and fire.
- **When battery pack is not in use, keep it away from other metal objects, like paper clips, coins, keys, nails, screws, or other small metal objects that can make a connection from one terminal to another.** Shorting the battery terminals together may cause burns or a fire.
- **Under abusive conditions, liquid may be ejected from the battery; avoid contact.** If contact accidentally occurs, flush with water. If liquid contacts eyes, additionally seek medical help. Liquid ejected from the battery may cause irritation or burns.

SERVICE

- **Have your power tool serviced by a qualified repair person using only identical replacement parts.** This will ensure that the safety of the power tool is maintained.

SAFETY INFORMATION

HEDGE TRIMMER SAFETY WARNINGS

- **Use both hands when operating the hedge trimmer. Using one hand could cause loss of control and result in serious personal injury.**
- **Keep all parts of the body away from the cutter blade. Do not remove cut material or hold material to be cut when blades are moving. Make sure the switch is off when clearing jammed material. Blades coast after turn off.** A moment of inattention while operating the hedge trimmer may result in serious personal injury.
- **Carry the hedge trimmer by the handle with the cutter blade stopped.** Proper handling of the hedge trimmer will reduce possible personal injury from the cutter blades.
- **Hold the power tool by insulated gripping surfaces only, because the cutter blade may contact hidden wiring or its own cord.** Cutter blades contacting a “live” wire may make exposed metal parts of the power tool “live” and could give the operator an electric shock.
- **DANGER – Keep hands away from blade.** Contact with blade will result in serious personal injury.
- **Keep cable away from cutting area.** During operation the cable may be hidden in shrubs and can be accidentally cut by the blade.

WARNING

Only use with handle and guard properly assembled to hedge trimmer. The use of the hedge trimmer without the proper guard or handle provided may result in serious personal injury.

WARNING (PROPOSITION 65)

Some dust created by power sanding, sawing, grinding, drilling, and other construction activities contains chemicals known to cause cancer, birth defects or other reproductive harm. Some examples of these chemicals are:

- Lead from lead-based paints
- Crystalline silica from bricks and cement and other masonry products, and
- Arsenic and chromium from chemically treated lumber.

Your risk of exposure to these chemicals varies depending on how often you do this type of work. To reduce your exposure to these chemicals, work in a well-ventilated area, and work with approved safety equipment, such as dust masks that are specially designed to filter out microscopic particles.

SAFETY INFORMATION


WARNING

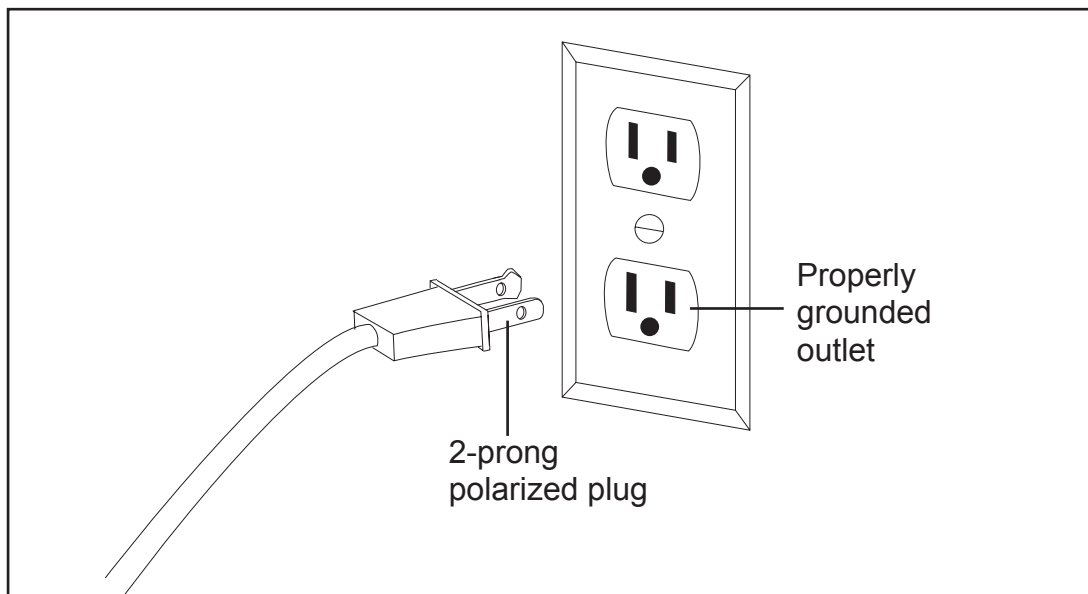
Read and understand all instructions. Failure to follow safety rules listed below may result in electric shock, fire, and/or personal injury:

- Do not place the charger where the power cord might be stepped on, tripped on, or subjected to damage.
- A battery-operated tool with integral batteries or a separate battery must be recharged only with the specified charger for the battery. A charger that may be suitable for one type of battery may create a risk of fire when used with another battery.
- Use a battery-operated tool only with the specifically designated battery. Use of any other batteries may create a risk of fire.

GROUNDING

In the event of a malfunction or breakdown, grounding provides the path of least resistance for electric current, and reduces the risk of electric shock.

This battery charger is double insulated  and has a two-prong polarized plug (one blade is wider than the other). This plug will fit into a polarized outlet only one way. If the plug does not fit fully in the outlet, reverse the plug. If it still does not fit, contact a qualified electrician to install the proper outlet. DO NOT change the plug in any way. IN ALL cases make sure the outlet is properly grounded. If you are not sure, have a certified electrician check the power outlet.



PREPARATION

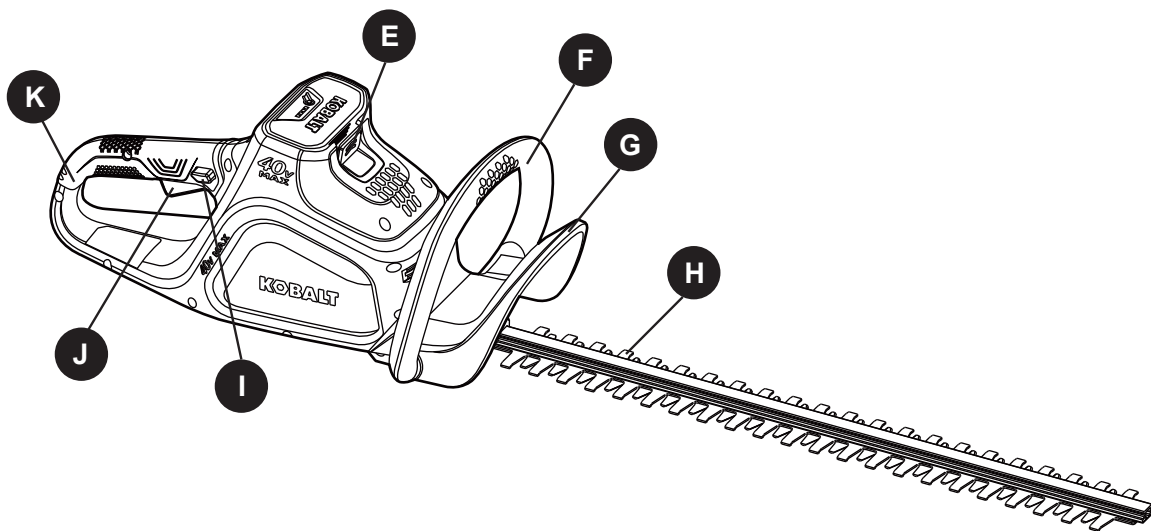
Make sure all parts are present. Compare parts with package contents list. If any part is missing or damaged, do not attempt to assemble the product.

Remove the hedge trimmer from the box, then remove scabbard and place the charged battery in the hedge trimmer before beginning operation.

UNPACKING

- This product requires no assembly.
- Carefully remove the product and any accessories from the box. Make sure that all items listed in the Package Contents list are included.
- Inspect the product carefully to make sure no breakage or damage occurred during shipping.
- Do not discard the packing material until you have carefully inspected and satisfactorily operated the product.
- If any parts are damaged or missing, please call **1-888-3KOBALT** (1-888-356-2258) for assistance.

KNOW YOUR HEDGE TRIMMER



PART	DESCRIPTION
E	Battery release button
F	Auxiliary handle
G	Guard
H	Blade
I	Lock-out button
J	Trigger
K	Trigger handle

KNOW YOUR HEDGE TRIMMER

The safe use of this product requires an understanding of the information on the product and in this operator's manual as well as a knowledge of the project you are attempting. Before use of this product, familiarize yourself with all operating features and safety rules.

Guard

The guard (G) helps prevent the operator's hands from slipping into the blades.

Trigger

The lock-out button (I) must be pressed before the trigger (J) can be depressed. The lock-out button (I) can be released after the tool has started.


WARNING

To avoid personal injury:

- Handle the blade with care.
- Do not place your fingers or hand between the notches in the blade or in any position where they could get pinched or cut.
- Never service the blade or hedge trimmer unless the battery is removed.
- Always keep both hands on the hedge trimmer handles to prevent your hand from touching the blade.

OPERATING INSTRUCTIONS

BATTERY

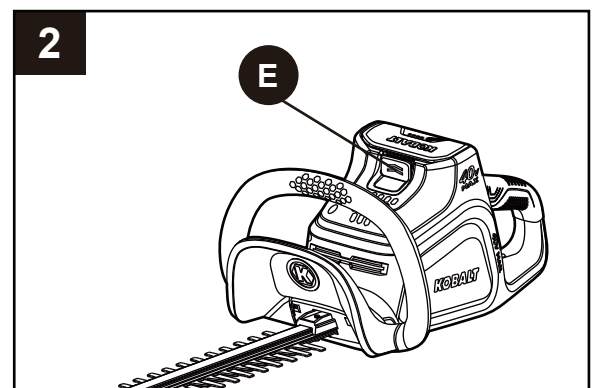
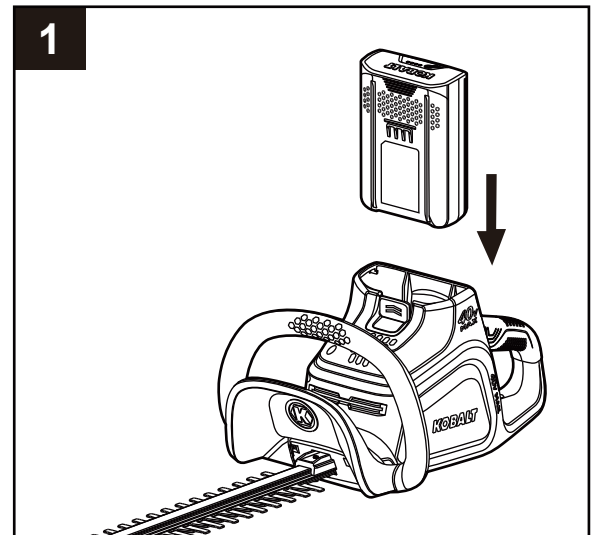
 **IMPORTANT:** The battery may not be fully charged when purchased. Before using the hedge trimmer for the first time, place the battery in the battery charger and charge. Make sure to read all safety precautions, and follow the instructions in the battery and charger manuals.

To install the battery:

1. Align the battery with the cavity in the housing.
2. Insert battery in the housing until battery release button (E) locks into place. You should hear a "click" once it is installed.

To remove the battery:

1. Press the battery release button (E) on the hedge trimmer.
This will cause the battery to raise out of the tool slightly.
2. Grasp the hedge trimmer firmly and pull the battery out of the tool.



OPERATING INSTRUCTIONS

! WARNING

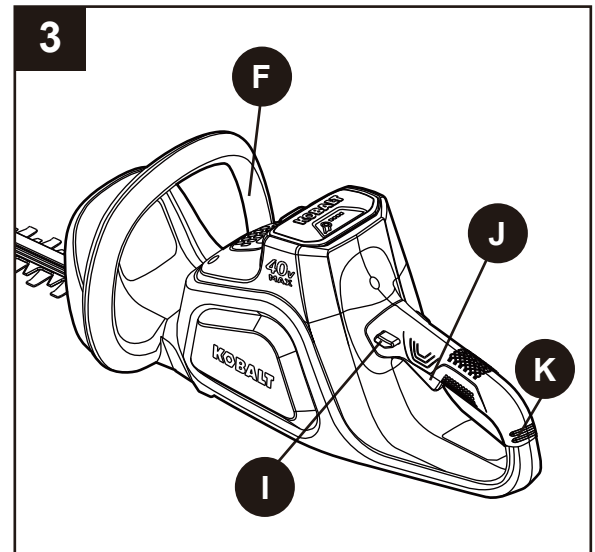
Follow these instructions in order to avoid injury and to reduce the risk of electric shock or fire:

- Replace the battery or the charger immediately if the battery case or charger cord is damaged.
- Verify that the trigger switch is in the OFF position before inserting or removing the battery.
- Verify that the battery is removed and the trigger switch is in the OFF position before inspecting, adjusting, or performing maintenance on any part of the hedge trimmer.
- Read, understand, and follow the instructions contained in the charger manual.

To turn on and off:

1. Place one hand on the trigger handle (K). Place the other hand on the auxiliary handle (F).
2. Press the lock-out button (I) toward the handle and hold.
3. Squeeze the trigger (J). The hedge trimmer will turn ON.
4. Release the lock-out button (I). The hedge trimmer will stay on as long as the trigger (J) on the trigger handle (K) is squeezed ON.
5. The hedge trimmer will stop if you release the trigger (J).

! **IMPORTANT:** If the hedge trimmer is accidentally dropped, the unit will turn off and the blades will coast to a stop. The hedge trimmer will then be locked off.

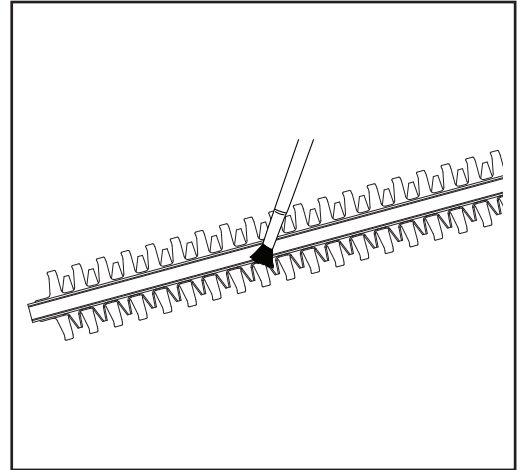


CARE AND MAINTENANCE

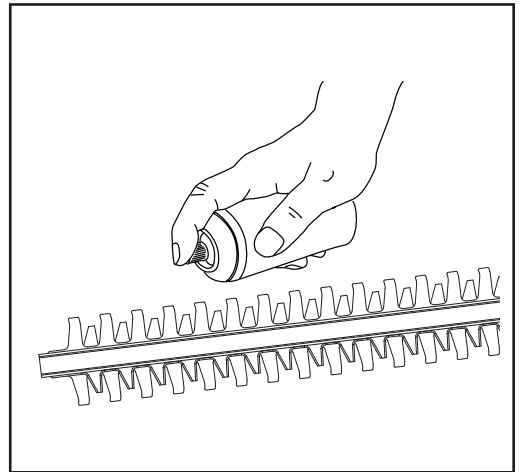
Hedge Trimmer Blade Maintenance

Note: Before performing maintenance, remove the battery from the hedge trimmer.

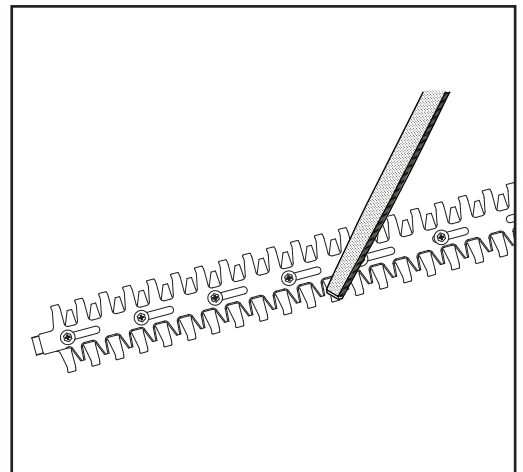
1. Remove dirt and debris from blades using a small dry paint brush or equivalent (not included).



2. Clean blades by spraying an appropriate degreaser (not included) on the blades and cutting bar.

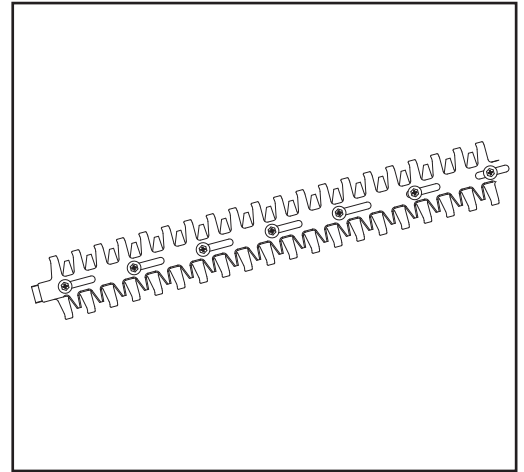


3. After heavy use, it is recommended to thoroughly check your blades for deformation or imperfections and, if required, file edges to provide a sharper cut. If necessary, it is recommended to take it to a qualified technician to help sharpen blades. Always use a metal file (not included).



CARE AND MAINTENANCE

4. After each blade is sharpened, it is required to apply a light machine oil or lithium based spray-on grease (not included) to the blades.



TROUBLESHOOTING

If you still have questions or an unresolved issue after going through this troubleshooting guide, or just want to speak to a Kobalt product expert, please call our customer service department at 1-888-3KOBALT (1-888-356-2258), 8 a.m. - 8 p.m., EST, Monday – Friday.

PROBLEM	POSSIBLE CAUSE	CORRECTIVE ACTION
Motor fails to start when trigger switch is depressed.	<ol style="list-style-type: none">1. Battery is not secure.2. Battery is not charged.	<ol style="list-style-type: none">1. To secure the battery, make sure the latch on the top of the battery compartment snaps into place.2. Charge the battery according to the instructions included with your model.
Motor runs, but cutting blades do not move.	<ol style="list-style-type: none">1. Hedge trimmer damaged.	<ol style="list-style-type: none">1. Do not use the hedge trimmer. Call 1-888-3KOBALT (1-888-356-2258) for technical service.
Hedge trimmer smokes during operation.	<ol style="list-style-type: none">1. Hedge trimmer damaged.	<ol style="list-style-type: none">1. Do not use the hedge trimmer. Call 1-888-3KOBALT (1-888-356-2258) for technical service.
Motor hums, blades do not move.	<ol style="list-style-type: none">1. Debris or other may be jamming the blades	<ol style="list-style-type: none">1. Remove battery, clear debris blockage from blades.

WARRANTY

5-YEAR LIMITED WARRANTY

This Kobalt 40 V Hedge Trimmer is warranted to the original purchaser from the original purchase date for five (5) years subject to the warranty coverage described herein.

This Kobalt 40 V Hedge Trimmer is warranted for the original user to be free from defects in material and workmanship.

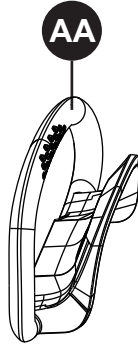
If you believe that the Kobalt 40 V Hedge Trimmer is defective at any time during the specified warranty period, simply return the 40 V Hedge Trimmer along with proof of purchase to the place of purchase for a free replacement or refund, or call 1-888-3KOBALT (1-888-356-2258) for warranty service.

This warranty is void if: defects in materials or workmanship or damages result from repairs or alterations which have been made or attempted by others or the unauthorized use of nonconforming parts; the damage is due to normal wear, damage is due to abuse (including overloading of the tool beyond capacity), improper maintenance, neglect or accident; or the damage is due to the use of the tool after partial failure or use with improper accessories or unauthorized repair or alteration.

This warranty gives you specific legal rights, and you may also have other rights that vary from state to state.

REPLACEMENT PARTS LIST

For replacement parts, call our customer service department at **1-888-3KOBALT** (1-888-356-2258), 8 a.m. - 8 p.m., EST, Monday - Friday.



PART	DESCRIPTION	PART #
AA	Auxiliary handle/guard	341011917

Printed in China