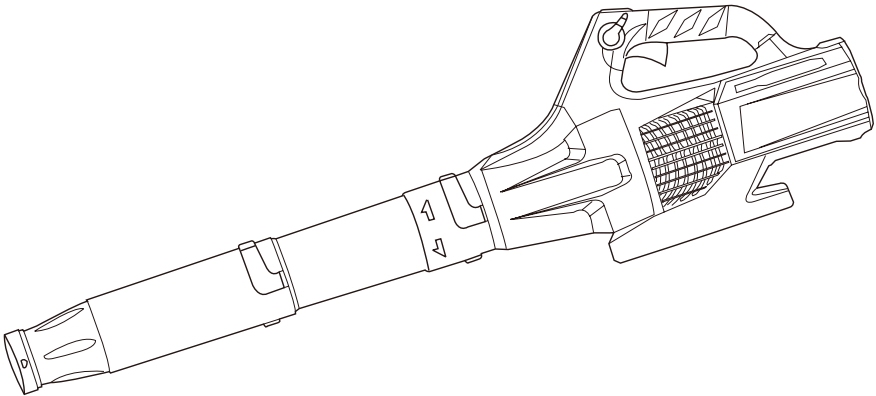




60V BRUSHLESS AXIAL BLOWER
BL60L00



Owner's Manual

TOLL-FREE HELPLINE: 1-888-90WORKS (888.909.6757)

www.GreenWorksTools.com

⚠ Read all safety rules and instructions carefully before operating this tool.

CONTENTS

Contents	2
Product Specifications	2
General Safety Rules	3
Symbols	6
Know Your Blower	8
Assembly Instruction	9
Operation	12
Battery & Charger Maintenance	14
Environmentally Safe Battery Disposal	16
Troubleshooting	17
Warranty	18
Exploded View	19
Parts List	19

PRODUCT SPECIFICATIONS

60V CORDLESS BRUSHLESS AXIAL BLOWER

Type	Cordless, battery operated
Battery	60V (2.5 Ah) Lithium-Ion
Motor	60V Brushless
Air Volume (CFM)	540 CFM
Speed (MPH)	140 MPH
Trigger	Variable Speed
Cruise Control	Yes
Charging Time60 Minutes
Weight (With Battery)	7.98 lbs (3.62 kg)
Weight (Without Battery)	5.11 lbs (2.32 kg)



GENERAL SAFETY RULES

READ ALL INSTRUCTIONS BEFORE USING (THIS POWER TOOL)

⚠ W A R N I N G

Read and understand all instructions before using this product. Failure to follow all instructions listed below may result in electric shock, fire, and/or serious personal injury. When using an electrical appliance, basic precautions should always be followed, including the following:

- Do not allow to be use as a toy. Close attention is necessary when used by or near children.
 - Use only as described in this manual. Use only manufacturer's recommended attachments.
 - Do not put any object into openings. Do not use if any openings are blocked. Keep openings free of dust, lint, hair, and anything that may reduce air flow.
 - Keep hair, loose clothing, fingers and all body parts away from openings and moving parts.
 - Use extra care when cleaning on stairs.
 - Do not use to pick up flammable or combustible liquids, such as gasoline, or use in areas where they may be present.
 - Do not operate power tools in an explosive atmosphere, such as in the presence of flammable liquids, gases, or dust. Power tools create sparks that may ignite the dust or fumes.
 - Do not expose power tools to rain or wet conditions. Water entering a power tool will increase the risk of electric shock.
 - Do not use on wet surfaces. Do not expose to rain. Store indoors.
 - Do not handle appliance with wet hands.
 - Never allow children to operate the equipment. Never allow adults to operate the equipment without proper instruction.
 - Always wear safety glasses with side shields that comply with ANSI Z87.1. Everyday glasses only have impact resistant lenses. They are NOT safety glasses. Following this rule will reduce the risk of eye injury. If working in a dusty area, use a dusk mask.
 - Wear heavy long pants, boots, and gloves. Avoid loose garments or jewellery that could get caught in moving parts of the machine or its motor.
 - Do not force tool. Use the correct tool for your application. The correct tool will do the job better and safer at the rate for which it is designed.
 - Do not operate the equipment while barefoot or when wearing sandals or similar lightweight footwear. Wear protective footwear that will protect your feet and improve your footing on slippery surfaces.
 - Secure long hair so it is above shoulder level to prevent entanglement in any moving parts.
 - Keep firm footing and balance. Do not overreach. Overreaching can result in loss of balance.
 - Do not use the tool if the switch does not turn it on or off. Any tool that cannot be controlled with the switch is dangerous, and must be repaired.
 - Keep all bystanders, children, and pets at least 50' (15 m) away.
 - Do not point the blower nozzle in the direction of people or pets.
 - Never run the unit without the proper equipment attached. Always ensure the blower tube is installed.
 - Use only Greenworks Batteries: LB60A03 (2.5Ah)
 - Use only Greenworks Charger: CH60A00
 - Do not operate this unit when you are tired, ill, or under the influence of alcohol, drugs, or medication.
 - Do not operate in poor lighting.
 - When not in use, product should be stored indoors in a dry, locked place out of the reach of children.
-

GENERAL SAFETY RULES

- Maintain tool with care. Keep fan area clean for best and safest performance. Follow instructions for proper maintenance.
- Keep all parts of your body away from any moving parts and all hot surfaces of the unit.
- Check the work area before each use. Remove all objects such as rocks, broken glass, nails, wire, or string which can be thrown or become entangled in the machine.
- This appliance is provided with double insulation. Use only identical replacement parts. See instructions for Servicing of Double-Insulated Appliances.
- Use only identical manufacturer's replacement parts and accessories. Use of any other parts may create a hazard or cause product damage.
- Remove the battery pack before connecting tool.

FOR BATTERY-OPERATED POWER TOOLS:

- Do not charge battery in rain, or in wet locations.
- Do not use battery-operated appliance in rain.
- Remove or disconnect battery before servicing, cleaning, or removing material from the appliance.
- Do not dispose of the battery in a fire. The cell may explode. Check with local codes for possible special disposal instructions.
- Do not open or mutilate the battery. Released electrolyte is corrosive and may cause damage to the eyes or skin. It may be toxic if swallowed.
- Use appliances only with specifically designated battery packs. Use of any other battery packs may create a risk of injury and fire.
- Exercise care in handling batteries in order not to short the battery with conducting materials such as rings, bracelets, and keys. The battery or conductor may overheat and cause burns.
- Prevent unintentional starting. Ensure the switch is in the off-position before connecting to battery pack, picking up or carrying the appliance. Carrying the power tool with your finger on the switch or energizing power tool that have the switch on invites accidents.
- Disconnect the battery pack from the power tool before making any adjustments, changing accessories, or storing the power tool. Such preventive safety measures reduce the risk of starting the power tool accidentally.
- Battery tools do not have to be plugged into an electrical outlet; therefore, they are always in operating condition. Be aware of possible hazards when not using your battery tool or when changing accessories. Following this rule will reduce the risk of electric shock, fire, or serious personal injury.
- Batteries can explode in the presence of a source of ignition, such as a pilot light. To reduce the risk of serious personal injury, never use any cordless product in the presence of open flame. An exploded battery can propel debris and chemicals. If exposed, flush with water immediately.
- Do not crush, drop or damage battery pack. Do not use a battery pack or charger that has been dropped or received a sharp blow. A damaged battery is subject to explosion. Properly dispose of a dropped or damaged battery immediately.
- Do not attempt to clear clogs from tool without first removing the battery.
- Do not handle the charger, including the charger plug and terminals, with wet hands.
- Use only the charger supplied by the manufacturer to recharge the battery.
- Recharge only with the charger specified by the manufacturer. A charger that is suitable for one type of battery pack may create a risk of fire when used with another battery pack.
- Do not charge the battery outdoors.
- Do not incinerate the appliance even if it is severely damaged. The batteries can explode in a fire.
- When battery pack is not in use, keep it away from other metal objects, like paper clips, coins, keys, nails, screws or other small metal objects, that can make a connection from one terminal to another. Shorting the battery terminals together may cause burns or a fire.

GENERAL SAFETY RULES

- Under extreme usage or temperature conditions, battery leakage may occur. If liquid comes in contact with your skin, wash immediately with soap and water, then neutralize with lemon juice or vinegar. If liquid gets into your eyes, flush them with clean water for at least 10 minutes, then seek immediate medical attention. Following this rule will reduce the risk of serious personal injury.
- Do not use a battery pack or appliance that is damaged or modified. Damaged or modified batteries may exhibit unpredictable behavior resulting in fire, explosion or risk of injury.
- Do not expose a battery pack or appliance to fire or excessive temperature. Exposure to fire or temperature above 265°F may cause explosion.
- For best results, your battery tool should be charged in a location where the temperature is more than 42.8°F but less than 104°F. To reduce the risk of serious personal injury, do not store outside or in vehicles.
- Have servicing performed by a qualified repair person using only identical replacement parts. This will ensure that the safety of the product is maintained.
- Do not modify or attempt to repair the appliance or the battery pack (as applicable) except as indicated in the instructions for use and care.
- Save these instructions. Refer to them frequently and use them to instruct others who may use this power tool. If you loan someone this power tool, loan them these instructions also.
- Follow all charging instructions and do not charge the battery pack or appliance outside of the temperature range specified in the instructions. Charging improperly or at temperatures outside of the specified range may damage the battery and increase the risk of fire.
- When using in direct sunshine, keep out of water and don't expose to rain.
- Store indoors, and do not expose to rain or water, avoid direct sunshine.

⚠ W A R N I N G (PROPOSITION 65)

Some dust created by power sanding, sawing, grinding, drilling, and other construction activities contains chemicals known to cause cancer, birth defects or other reproductive harm. Some examples of these chemicals are:

- Lead from lead-based paints
- Crystalline silica from bricks and cement and other masonry products, and
- Arsenic and chromium from chemically treated lumber.

Your risk of exposure to these chemicals varies depending on how often you do this type of work. To reduce your exposure to these chemicals, work in a well-ventilated area, and work with approved safety equipment, such as dust masks that are specially designed to filter out microscopic particles.

CHILD SAFETY











Tragic accidents can occur if the operator is not aware of the presence of children.

- Keep children out of the working area and under the watchful care of a responsible adult.
- Do not allow children under the age of 14 to operate this blower. Children who are 14 years of age and older must read and understand the operating instructions and safety rules in this manual and must be trained and supervised by a parent.
- Stay alert, and turn the blower off if a child or any other person enters the working area.
- Use extreme care when approaching blind corners, doorways, shrubs, trees, or other objects that may obscure your view of a child who may run into the path of the blower.

SAVE THESE INSTRUCTIONS




SYMBOLS

Some of the following symbols may be used on this product. Please study them and learn their meaning. Proper interpretation of these symbols will allow you to operate the product better and safer.

SYMBOL	NAME	DESIGNATION/EXPLANATION
V	Volts	Voltage
A	Amperes	Current
Hz	Hertz	Frequency (cycles per second)
W	Watts	Power
min	Minutes	Time
~	Alternating Current	Type of current
≡	Direct Current	Type or a characteristic of current
	Class II Construction	Double-insulated construction.
/min	Per Minute	Revolutions, strokes, surface speed, orbits etc., per minute
	Safety Alert	Precautions that involve your safety.
	Read The Operator's Manual	To reduce the risk of injury user must read and understand operator's manual before using this product.
	Eye Protection	Always wear eye protection with side shields marked to comply with ANSI Z87.1 when operating this equipment.
	Wear ear protection	Wear ear protection when operating this equipment.
	Long Hair	Failure to keep long hair away from the air inlet could result in personal injury.
	Loose Clothing	Failure to keep loose clothing from being drawn into air intake could result in personal injury.
	Keep Bystanders Away	Keep all bystanders at least 50 ft. (15m) away.
	Blower Tubes	Do not operate without tubes in place.
	Impeller Blades	Rotating impeller blades can cause severe injury.

SYMBOLS

The following signal words and meanings are intended to explain the levels of risk associated with this product.

SYMBOL	SIGNAL	MEANING
	DANGER	Indicates an imminently hazardous situation, which, if not avoided, will result in death or serious injury.
	WARNING	Indicates a potentially hazardous situation, which, if not avoided, could result in death or serious injury.
	CAUTION	Indicates a potentially hazardous situation, which, if not avoided, may result in minor or moderate injury.
	CAUTION	(Without Safety Alert Symbol) Indicates a situation that may result in property damage.

SERVICE

Servicing requires extreme care and knowledge and should be performed only by a qualified service technician. For service we suggest you return the product to your nearest **AUTHORIZED SERVICE CENTER** for repair. When servicing, use only identical replacement parts.

▲ W A R N I N G

To avoid serious personal injury, do not attempt to use this product until you have read this Owner's Manual thoroughly and understand it completely. If you do not understand the warnings and instructions in this Owner's Manual, do not use this product. Call the Toll-free Helpline (1-888-909-6757) for assistance.

▲ W A R N I N G



The operation of any power tool can result in foreign objects being thrown into your eyes, which can result in severe eye damage. Before beginning power tool operation, always wear safety goggles or safety glasses with side shields and, when needed, a full face shield. We recommend Wide Vision Safety Mask for use over eyeglasses or standard safety glasses with side shields. Always use eye protection which is marked to comply with ANSI Z87.1.

SAVE THESE INSTRUCTIONS

KNOW YOUR BLOWER

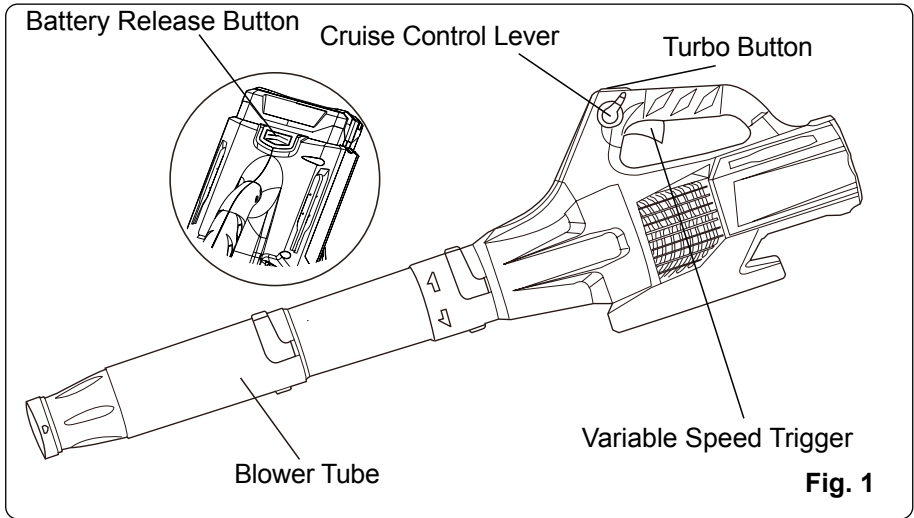


Fig. 1

KNOW YOUR BLOWER (See Figure 1.)

The safe use of this product requires an understanding of the information on the product and in this operator's manual as well as a knowledge of the project you are attempting. Before use of this product, familiarize yourself with all operating features and safety rules.

BLOWER TUBE

The blower tube can be easily installed on the blower without any additional tools.

VARIABLE SPEED TRIGGER

Starts/Stops the flow of air through the blower.

BATTERY RELEASE BUTTON

Releases the battery pack from the blower.

CRUISE CONTROL LEVER

Pull backwards on the Cruise Control Lever to engage and lock the trigger. Push forward on the Cruise Control Lever to release and disengage the trigger.

TURBO BUTTON

Press the Turbo Button to boost the speed. Release the turbo button to make the blower run at the normal speed.



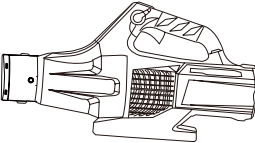
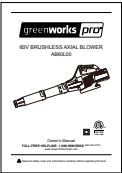
ASSEMBLY INSTRUCTION

UNPACKING

This product requires assembly.

- Carefully remove the product and any accessories from the box. Make sure that all items listed in the package contents section are included.
- Inspect the product carefully to make sure no breakage or damage occurred during shipping.
- Do not discard the packing material until you have carefully inspected and satisfactorily operated the product.
- If any parts are damaged or missing, please call (1-888-909-6757) for assistance.

PACKING LIST

PART NAME	FIGURE	QTY
Front Blower Tube		1
Rear Blower Tube		1
60V Axial Blower		1
Operator's Manual		1

⚠ WARNING

If any parts are damaged or missing, do not operate this product until the parts are replaced. Using a product with damaged or missing parts could result in serious personal injury.

⚠ WARNING

Do not attempt to modify this product or create accessories not recommended for use with this product. Any such alteration or modification is misuse and could result in a hazardous condition leading to possible serious personal injury.

⚠ WARNING

Do not insert the battery until assembly is complete. Failure to comply could result in accidental starting and possible serious personal injury.

ASSEMBLY INSTRUCTION

BATTERY

IMPORTANT! The battery pack is not charged when it is purchased. Before using the blower for the first time, place the battery pack in the battery charger and charge. Make sure to read all safety precautions, and follow the instructions in the Battery Charger section.

To Remove (See Figure 2.)

1. Press and hold the battery release button with firm grip.
2. Grasp the trigger handle firmly. Pull the battery pack out of the handle.

NOTE: The battery pack fits into the handle snugly in order to prevent accidental dislodging. It may require a strong pull to remove it.

To Install (See Figure 2.)

1. Align the tongue of the battery pack with the cavity in the handle housing.
2. Insert the battery into the battery opening until the battery release button locks into place.
3. Grasp the trigger handle firmly.
4. Push the battery pack into the handle until both sides lock. The latch button will click when locked into place.
5. Do not use force when inserting the battery pack. It should slide into place and click.

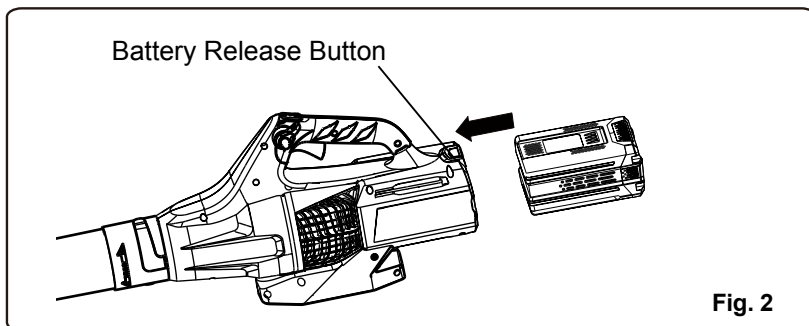


Fig. 2

▲ WARNING

Follow these instructions in order to avoid injury and to reduce the risk of electric shock or fire:

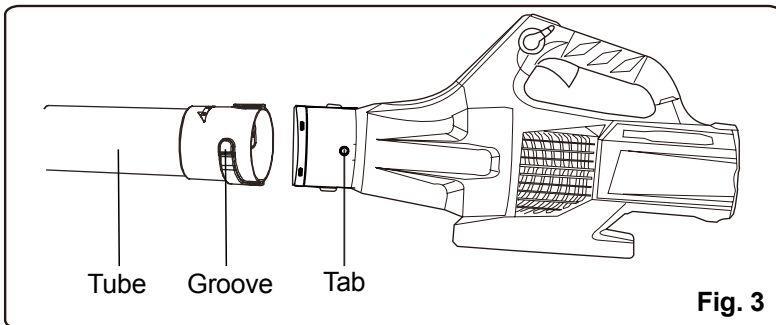
- Replace the battery pack or the charger immediately if the battery case or charger cord is damaged.
- Verify that the switch is in the OFF position before inserting or removing the battery pack.
- Verify that the battery pack is removed and the switch is in the OFF position before inspecting, adjusting, or performing maintenance on any part of the blower.
- Read, understand, and follow the instructions contained in the section entitled Charging Procedure.

ASSEMBLY INSTRUCTION

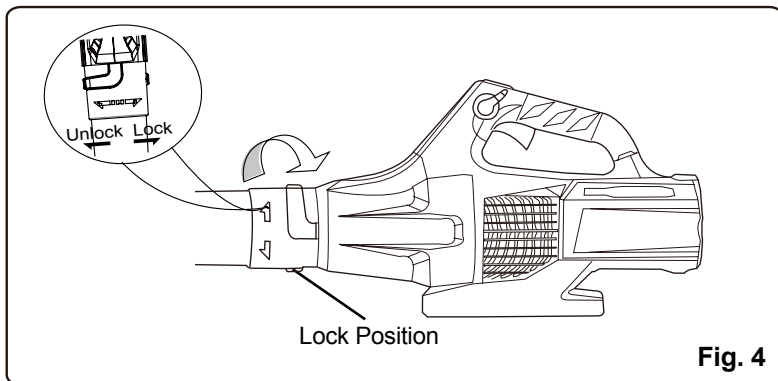
BLOWER TUBE ASSEMBLY

⚠ WARNING

To prevent accidental starting that could cause serious personal injury, always remove the battery pack from the tool when assembling parts.



1. Align either of the grooves in the tube with the tabs on the blower housing. Push the tube into the blower housing until the tab engages the grooves (See Figure 3).



2. Turn the tube in the direction of the arrow until both of the tabs slide into the lock positions (See Figure 4).

OPERATION

⚠ WARNING

Do not allow familiarity with this product to make you careless. Remember that a careless fraction of a second is sufficient to inflict serious injury.

⚠ WARNING

Always wear eye protection with side shields marked to comply with ANSI Z87.1, along with hearing protection. Failure to do so could result in objects being thrown into your eyes and other possible serious injuries.

⚠ WARNING

Do not use any attachments or accessories not recommended by the manufacturer of this product. The use of attachments or accessories not recommended can result in serious personal injury. Before each use, inspect the entire product for damaged, missing, or loose parts, such as screws, nuts, bolts, caps, etc. Securely tighten all fasteners and caps and do not operate this product until all missing or damaged parts are replaced.

APPLICATION

You may use this product for the purposes listed below:

- Clearing hard surfaces such as driveways and walkways.
- Keeping decks and driveways free from leaves and pine needles.

CHARGE BEFORE FIRST USE.

⚠ WARNING

Always remove battery pack from the product when you are assembling parts, making adjustments, cleaning, or when not in use. Removing battery pack will prevent accidental starting that could cause serious personal injury.

OPERATION

STARTING/STOPPING THE BLOWER (See Figure 5)

- Ensure that the battery is installed in the blower.
- Squeeze the trigger to start the blower.
- Release the trigger to stop.

USING CRUISE CONTROL LEVER (See Figure 5)

This blower is equipped with a cruise control function. Please read and understand the function of the Cruise Control lever.

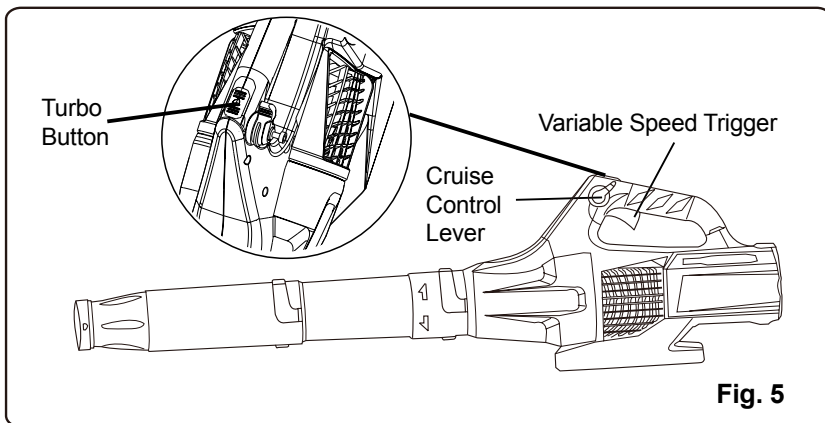
- Squeeze the trigger to start the unit.
- Once the unit is on, push back the lever clockwise to increase the speed. This will lock the speed at the desired setting.
- To decrease the speed, push the lever counter clockwise to decrease the speed to the desired setting.

NOTE: If you decrease the speed all the way, the unit will shut off and step one will need to be repeated.

USING TURBO BUTTON (See Fig 5.)

This blower is equipped with a turbo button. Please read and understand the function of the turbo button.

- Squeeze the switch trigger to start.
- To boost speed, press the turbo button so that the blower can be operated at the highest speed. Once the turbo button is released, the blower will be operated at the normal speed.



OPERATING THE BLOWER

- To keep from scattering debris, blow around the outer edges of a debris pile. Never blow directly into the center of a pile.
- To reduce sound levels, limit the number of pieces of equipment used at any one time.
- Use rakes and brooms to loosen debris before blowing. In dusty conditions, slightly dampen surfaces when water is available.
- Conserve water by using power blowers instead of hoses for many lawn and garden applications, including areas such as gutters, screens, patios, grills, porches, and gardens.
- Watch out for children, pets, open windows, or freshly washed cars, and blow debris safely away.
- After using blowers or other equipment, clean up. Dispose of debris properly.

BATTERY & CHARGER MAINTENANCE

CHARGING PROCEDURE

NOTE: The battery is not shipped fully charged. It is recommended to fully charge before first use to ensure that maximum run time can be achieved. This lithium-ion battery will not develop a memory and may be charged at any time.

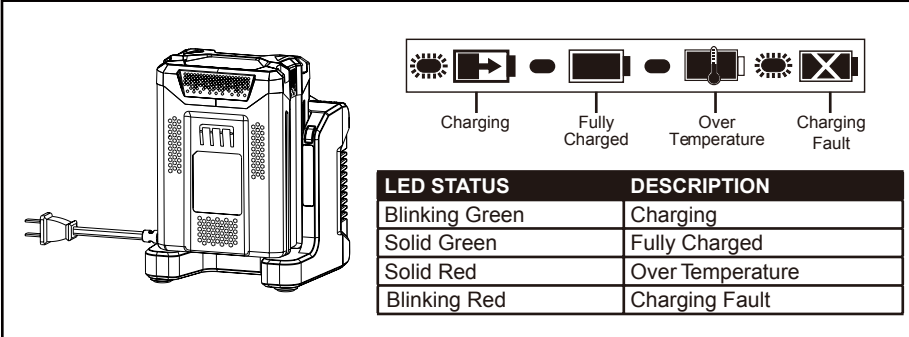
Low Voltage Charging:

If the battery has been stored with little to no charge for a long period of time, the charger will go into recovery mode, which will take 20 hrs to fully charge the battery. This will enhance the life of the battery. Once it is fully charged, the next charge will return to standard charging.

A fully discharged battery pack will require the allotted time as stated in the battery manual.

- Plug the charger into an AC power outlet.
- Insert the battery into the charger.

This is a diagnostic charger. The Charger LED Lights will illuminate in specific order to communicate the current battery status. They are as follows:



The diagram shows a battery charger on the left. To its right is a legend for the LED status indicators. The legend consists of a horizontal row of six icons: a sun-like symbol, a right-pointing arrow, a solid black rectangle, a battery icon with a plus sign, a thermometer, and a square with an 'X'. Below these icons are four labels: 'Charging' (under the sun and arrow), 'Fully Charged' (under the solid rectangle and battery icon), 'Over Temperature' (under the thermometer), and 'Charging Fault' (under the square with 'X').

LED STATUS	DESCRIPTION
Blinking Green	Charging
Solid Green	Fully Charged
Solid Red	Over Temperature
Blinking Red	Charging Fault

False Defect Note:

When the battery is inserted into the charger and the status LED blinks RED, remove the battery from the charger for 1 minute, then reinsert. If the status LED blinks GREEN, then the battery is properly charging. If the status LED is still blinking RED, remove the battery and unplug the charger for 1 minute.

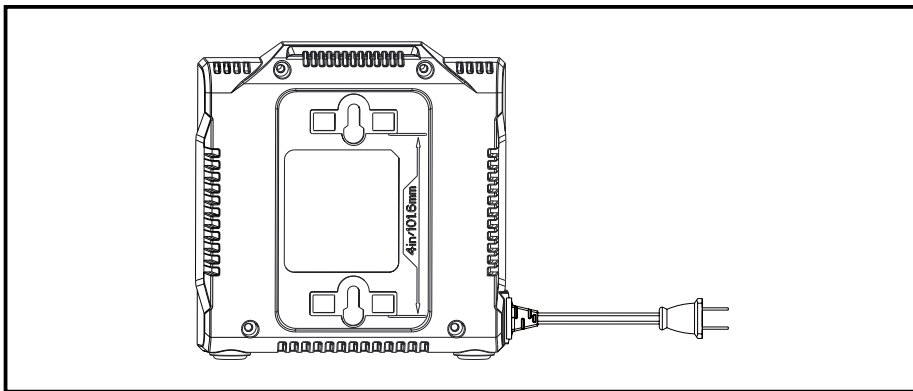
After 1 minute, plug in the charger and reinsert the battery. If the status LED blinks GREEN, then the battery is properly charging. If the status LED is still blinking RED, the battery is defective and needs to be replaced.

BATTERY & CHARGER MAINTENANCE

CHARGER MOUNTING

1. This charger can be installed hanging on a wall using two #8 screws (not included).
2. Locate the placement for the charger to be wall mounted.
3. If fastening to wood studs use 2 wood screws (not included).
4. Drill two holes 4.5 in. apart ensuring that they are vertically aligned.
5. If fastening to drywall use wall anchors (not included) and screws to secure the charger to the wall.

NOTE: If the battery and the charger won't be used for a long time, please remove the battery from the charger and pull out the AC power plug.



ENVIRONMENTALLY SAFE BATTERY DISPOSAL

▲ W A R N I N G

The following toxic and corrosive materials are in the batteries used in this blower battery pack: Lithium-Ion, a toxic material.



All toxic materials must be disposed of in a specified manner to prevent contamination of the environment. Before disposing of damaged or worn out Lithium-Ion battery packs, contact your local waste disposal agency, or the local Environmental Protection Agency for information and specific instructions. Take the batteries to a local recycling and/or disposal center, certified for lithium-ion disposal.

▲ W A R N I N G

If the battery pack cracks or breaks, with or without leaks, do not recharge it and do not use. Dispose of it and replace with a new battery pack. **DO NOT ATTEMPT TO REPAIR IT!** To avoid injury and risk of fire, explosion, or electric shock, and to avoid damage to the environment:

- Cover the battery's terminals with heavy-duty adhesive tape.
 - DO NOT attempt to remove or destroy any of the battery pack components.
 - DO NOT attempt to open the battery pack.
 - If a leak develops, the released electrolytes are corrosive and toxic. DO NOT get the solution in the eyes or on skin, and do not swallow it.
 - DO NOT place these batteries in your regular household trash.
 - DO NOT incinerate.
 - DO NOT place them where they will become part of any waste landfill or municipal solid waste stream.
 - Take them to a certified recycling or disposal center.
-

TROUBLESHOOTING

PROBLEM	POSSIBLE CAUSE	SOLUTION
Motor fails to start when switch is depressed.	Battery is not secure. Battery is not charged.	Check to ensure the battery is fully connected to the blower. Press down on the battery until the latches click together. Charge the battery pack according to the instructions included with your model.
Unit will not start.	Defective power switch.	Return the unit to a repair center or call customer service at 1-888-909-6757.
Unit will not blow.	Blocked tube.	Clear the blockage.
Cruise Control Lever does not work.	The screw is loose.	Tighten the screw with a phillips head screwdriver.

LIMITED WARRANTY



GREENWORKS™ hereby warrants this product, to the original purchaser with **proof of purchase**, for a period of four (4) years against defects in materials, parts or workmanship. GREENWORKS™, at its own discretion will repair or replace any and all parts found to be defective, through normal use, free of charge to the customer. This warranty is valid only for units which have been used for personal use that have not been hired or rented for industrial/ commercial use, and that have been maintained in accordance with the instructions in the owners' manual supplied with the product from new.

Battery and charger carry a two (2) year warranty against defects in workmanship and materials. Batteries must be charged in accordance with the operator's manuals directions and regulations in order to be valid.

ITEMS NOT COVERED BY WARRANTY:

1. Any part that has become inoperative due to misuse, commercial use, abuse, neglect, accident, improper maintenance, or alteration; or
2. The unit, if it has not been operated and/or maintained in accordance with the owner's manual; or
3. Normal wear, except as noted below;
4. Routine maintenance items such as lubricants, blade sharpening;
5. Normal deterioration of the exterior finish due to use or exposure.

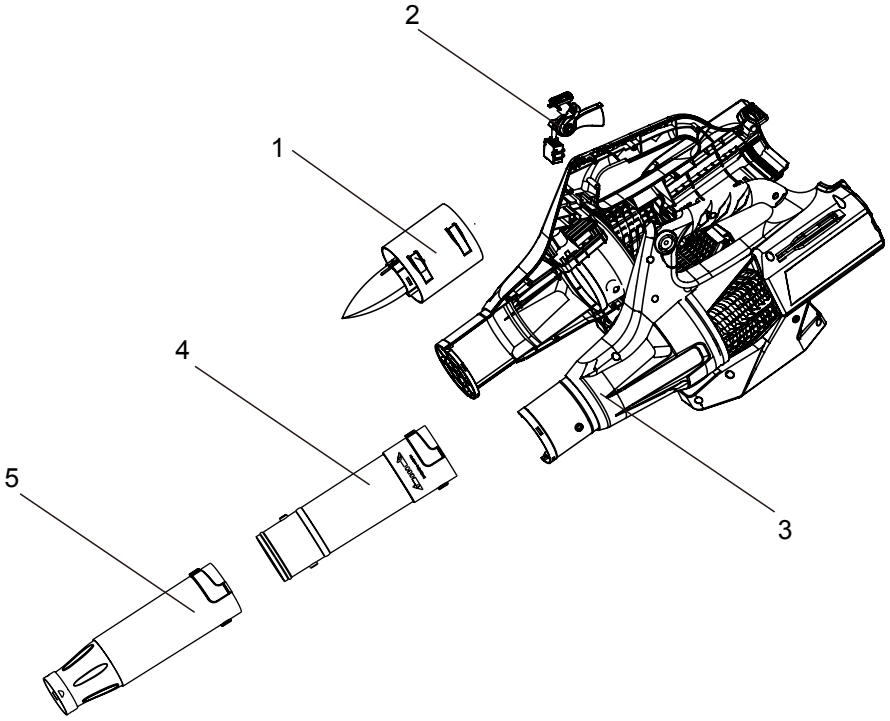
GREENWORKS HELPLINE (1 888 90WORKS):

Warranty service is available by calling our toll-free helpline, 9 am to 5 pm EST. at **1-888-909-6757 (1-888-90WORKS)**.

TRANSPORTATION CHARGES:

Transportation charges for the movement of any power equipment unit or attachment are the responsibility of the purchaser. It is the purchaser's responsibility to pay transportation charges for any part submitted for replacement under this warranty unless such return is requested in writing by GREENWORKS.

EXPLODED VIEW



PARTS LIST

Item No.	Part No.	Description	Qty
1	3110111952	Motor Assembly	1
2	3110121952	Switch Assembly	1
3	3110141952	Housing Assembly	1
4	341061816	Upper Blower Tube	1
5	341071816	Lower Blower Tube	1



**Greenworks Tools
PO Box 1238
 Mooresville, NC 28115**

TOLL-FREE HELPLINE: 1-888-90WORKS (888.909.6757)