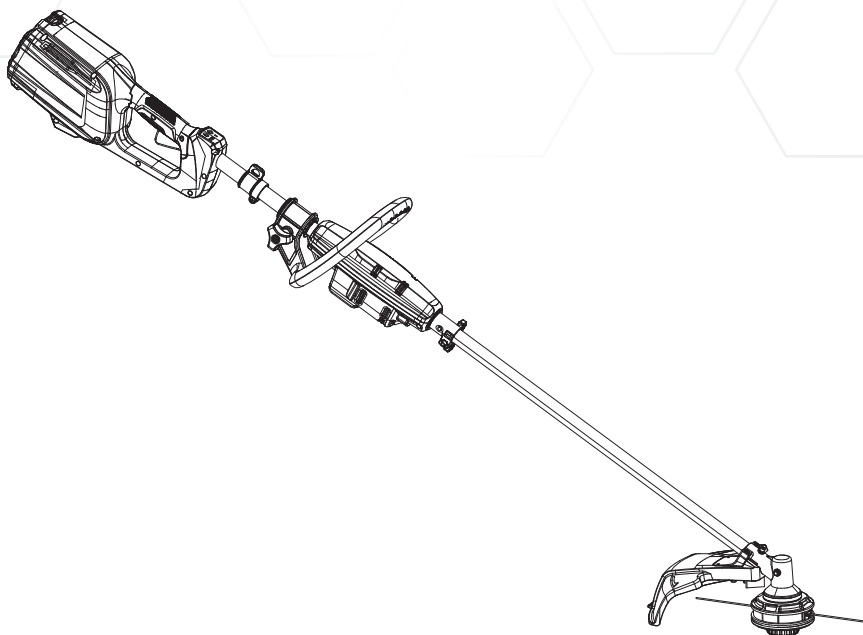


# KOBALT™



ITEM #0670250

## 80 V STRING TRIMMER

MODEL #KST 140XB

Español p. 22

---

**ATTACH YOUR RECEIPT HERE**

Serial Number \_\_\_\_\_ Purchase Date \_\_\_\_\_



**Questions, problems, missing parts?** Before returning to your retailer, call our customer service department at **1-888-3KOBALT** (1-888-356-2258), 8 a.m. - 8 p.m., EST, Monday - Friday.

## TABLE OF CONTENTS

---

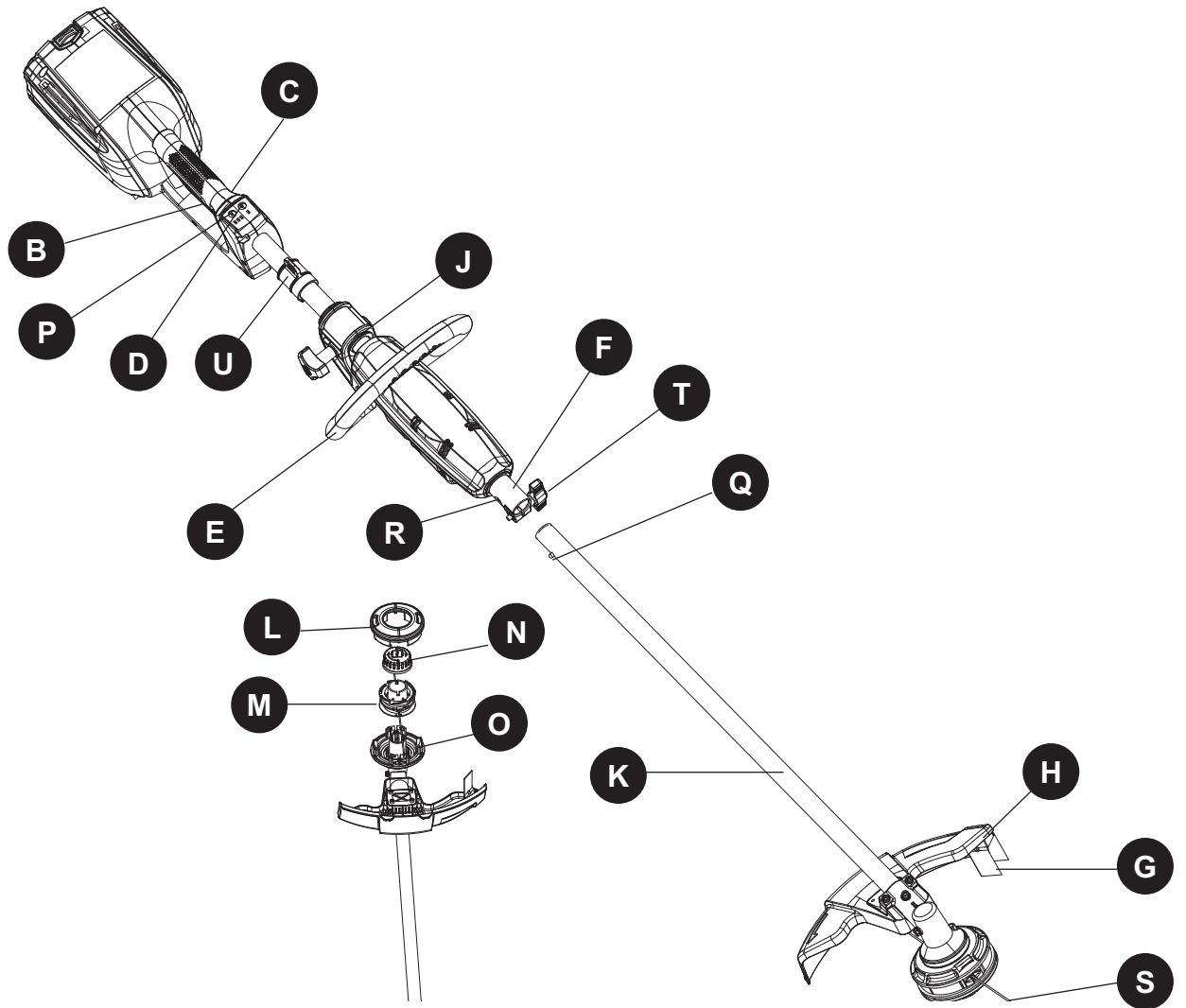
Product Specifications.....	2
Package Contents.....	3
Hardware Contents.....	4
Symbols.....	5
Safety Information.....	7
Preparation .....	9
Assembly Instructions .....	10
Operating Instructions .....	16
Care and Maintenance .....	18
Troubleshooting.....	19
Warranty.....	20
Replacement Parts List .....	21

## PRODUCT SPECIFICATIONS

---

SPECIFICATIONS	
Type	Cordless, battery-powered
Battery	80 V Lithium-Ion
Speed	5,000 RPM (low); 5,500 RPM (high)
Cutting path	14 in. and 16 in. (355.60 mm and 406.4 mm)
Line diameter	0.080 in. (2 mm)
Cutting capacity	Dual line

## PACKAGE CONTENTS



PART	DESCRIPTION	QUANTITY
B	Trigger switch	1
C	Side lock button	1
D	Power button	1
E	Front/Auxiliary handle	1
F	Coupler	1
G	Cut-off blade	1
H	Guard	1
J	Tube	1
K	Lower tube	1
L	Spool cover (preassembled to spool housing)	1

PART	DESCRIPTION	QUANTITY
M	Spool (preassembled to spool housing)	1
N	Spool cap (preassembled to spool housing)	1
O	Spool housing	1
P	Speed control button	1
Q	Release button	1
R	Positioning hole	1
S	Trimmer line	1
T	Attachment knob	1
U	Harness holder	1

**HARDWARE CONTENTS** (not shown actual size)

---

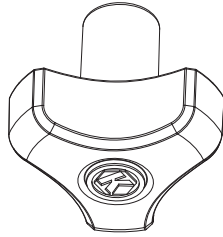
**AA**



Screw  
(preassembled  
to the Guard (H))

Qty. 4

**BB**



Fastening knob

Qty. 1

**CC**













Bolt

Qty. 1

## SYMBOLS

Some of the following symbols may be used on this product. Please study them and learn their meaning.

SYMBOLS	DESIGNATION	EXPLANATION
V	Volts	Voltage
A	Amperes	Current
Hz	Hertz	Frequency (cycles per second)
W	Watts	Power
min	Minutes	Time
	Alternating Current	Type of current
	Direct Current	Type or a characteristic of current
	Class II Construction	Double-insulated construction
$n_0$	No Load Speed	Rational speed, at no load
/min	Per Minute	Revolutions, strokes, surface speed, orbits, etc., per minute.
	Wet Conditions Alert	Do not expose to rain or use in damp locations.
	Read the Operator's Manual	To reduce the risk of injury, user must read and understand operator's manual before using this product.
	Eye Protection	Wear eye protection with side shields that are marked to comply with ANSI Z87.1 when operating this equipment.
	Safety Alert	Precautions that involve your safety.
	Ricochet	Thrown objects can ricochet and result in personal injury or property damage.
	No Blade	Do not install or use any type of blade on a product or displaying this symbol.
	Keep Bystanders Away	Keep all bystanders at least 50 ft. away.



## SYMBOLS


### Save these Instructions

The following signal words and meanings are intended to explain the levels of risk associated with this product.

SYMBOL	SIGNAL	MEANING
	DANGER	Indicates an imminently hazardous situation, which, if not avoided, will result in death or serious injury.
	WARNING	Indicates a potentially hazardous situation, which, if not avoided, could result in death or serious injury.
	CAUTION	Indicates a potentially hazardous situation, which, if not avoided, may result in minor or moderate injury.
	CAUTION	(Without Safety Alert Symbol) Indicates a situation that may result in property damage.



### WARNING

- To avoid serious personal injury, do not attempt to use this product until you have read this Owner's Manual thoroughly and understand it completely. If you do not understand the warnings and instructions in this Owner's Manual, do not use this product. Call 1-888-356-2258 for assistance.
-  The operation of any power tool can result in foreign objects being thrown into your eyes, which can result in severe eye damage. Before beginning power tool operation, always wear safety goggles or safety glasses with side shields and, when needed, a full face shield. We recommend a wide vision safety mask for use over eyeglasses or standard safety glasses with side shields. Always use eye protection which is marked to comply with ANSI Z87.1.



## SAFETY INFORMATION

---



### WARNING

Read and understand all instructions before using this product. Failure to follow all instructions listed below may result in electric shock, fire, and/or serious personal injury.

- Do not operate power tools in explosive atmospheres, such as in the presence of flammable liquids, gases, or dust. Power tools create sparks that may ignite the dust or fumes.
- Do not allow children or untrained individuals to use this unit.
- Don't expose power tools to rain or wet conditions. Water entering a power tool will increase the risk of electric shock.
- Do not handle battery or tool with wet hands.
- Never allow children to operate the equipment. Never allow adults to operate the equipment without proper instruction.
- Always wear safety glasses with side shields that are marked to comply with ANSI Z87.1. Everyday glasses have only impact resistant lenses. They are NOT safety glasses. Following this rule will reduce the risk of eye injury. Use face mask if operation is dusty.
- Store indoors.
- Do not operate in poor lighting.
- Keep all parts of your body away from any moving part.
- Do not force tool. Use the correct tool for your application. The correct tool will do the job better and safer at the rate for which it is designed.
- Do not operate the equipment while barefoot or when wearing sandals or similar lightweight footwear. Wear protective footwear that will protect your feet and improve your footing on slippery surfaces.
- Keep firm footing and balance. Do not overreach. Overreaching can result in loss of balance.
- Do not allow to be used as a toy.
- Do not use tool if switch does not turn it on or off. Any tool that cannot be controlled with the switch is dangerous and must be repaired.
- Keep all bystanders, children, and pets at least 50 ft. away.
- Do not operate this unit when you are tired, ill, or under the influence of alcohol, drugs, or medication.
- Do not put any object into openings. Do not use with any opening blocked; keep openings free.
- Check the work area before each use. Remove all objects such as rocks, broken glass, nails, wire, or string which can be thrown or become entangled in the machine.
- Use only identical manufacturer's replacement parts and accessories. Use of any other parts may create a hazard or cause product damage.
- Do not charge battery in the rain, or damp or wet locations. Following this rule will reduce the risk of electric shock.
- For household use only.
- Battery tools do not have to be plugged into an electrical outlet; therefore, they are always in operating condition. Be aware of possible hazards when not using your battery tool or when changing accessories. Following this rule will reduce the risk of electric shock, fire, or serious personal injury.
- Remove or disconnect battery before servicing, cleaning or removing material from the gardening appliance.
- Use only 80-volt Kobalt® batteries.



## SAFETY INFORMATION

---

- When not in use, the string trimmer should be stored indoors in a dry, locked place out of the reach of children.
- Do not dispose of the batteries in a fire. The cell may explode. Check with local codes for possible special disposal instructions. Do not open or damage the batteries. Released electrolyte is corrosive and may cause damage to the eyes or skin. It may be toxic if swallowed. Do not place battery tools or their batteries near fire or heat. This will reduce the risk of explosion and possible injury.
- Batteries can explode in the presence of a source of ignition, such as a pilot light. To reduce the risk of serious personal injury, never use any cordless product in the presence of an open flame. An exploded battery can propel debris and chemicals. If exposed, flush with water immediately.
- Do not crush, drop or damage battery. Do not use a battery or charger that has been dropped or received a sharp blow. A damaged battery is subject to explosion. Properly dispose of a dropped or damaged battery immediately.
- Exercise care in handling batteries in order not to short the battery with conducting materials such as rings, bracelets, and keys. The battery or conductor may overheat and cause burns.
- For best results, your battery tool should be charged in a location where the temperature is more than 50°F but less than 100°F. To reduce the risk of serious personal injury, do not store outside or in vehicles.
- Under extreme usage or temperature conditions, battery leakage may occur. If liquid comes in contact with your skin, wash immediately with soap and water, then neutralize with lemon juice or vinegar. If liquid gets into your eyes, flush them with clean water for at least 10 minutes, then seek immediate medical attention. Following this rule will reduce the risk of serious personal injury.
- If the charger power supply cord is damaged, it must be replaced only by the manufacturer or by an authorized service center to avoid risk.
- Do not point the string trimmer in the direction of people or pets.
- When not in use, the string trimmer should be stored indoors in a dry, locked up place-out of the reach of children.
- Maintain tool with care. Keep all vents and openings clean and clear of debris. Follow instructions for proper maintenance. Do not attempt to clear clogs from tool without first switching it off and removing the battery.



## SAFETY INFORMATION

---

### Child safety

Tragic accidents can occur if the operator is not aware of the presence of children.

- Keep children out of the working area and under the watchful care of a responsible adult.
- Do not allow children under the age of 14 to operate this trimmer. Children who are 14 years of age or older must read and understand the operating instructions and safety rules in this manual and must be trained and supervised by a parent.
- Stay alert and turn the trimmer off if a child or any other person enters the working area.
- Look behind and down for small children before and while cutting backwards.
- Use extreme care when approaching blind corners, doorways, shrubs, trees, or other objects that may obscure your view of a child who may run into the path of the trimmer.

### WARNING (Proposition 65)

Some dust created by power sanding, sawing, grinding, drilling and other construction activities contains chemicals known to the state of California to cause cancer, birth defects or other reproductive harm. Some examples of these chemicals are:

- Lead from lead-based paints,
- Crystalline silica from bricks and cement and other masonry products,
- Arsenic and chromium from chemically-treated lumber.

Your risk from these exposures varies, depending on how often you do this type of work. To reduce your exposure to these chemicals: work in a well-ventilated area, and work with approved safety equipment, such as dust masks that are specially designed to filter out microscopic particles.

## PREPARATION

---

Before beginning assembly of product, make sure all parts are present. Compare parts with package contents list and hardware contents list. If any part is missing or damaged, do not attempt to assemble the product.

### Tools Required for Assembly:

- Phillips screwdriver (not included).

**Estimated Assembly Time:** 5-10 minutes

## ASSEMBLY INSTRUCTIONS

### WARNING

To avoid injury and to reduce the risk of electrical shock or fire:

- Replace the battery or charger immediately if the battery case or charger cord is damaged.
- Always make sure the string trimmer switch is OFF before inserting or removing the battery.
- Always make sure the battery is removed and the switch turned OFF before inspecting, adjusting, or maintaining any other part of the string trimmer.
- Read, understand, and follow the Battery Charger instructions.

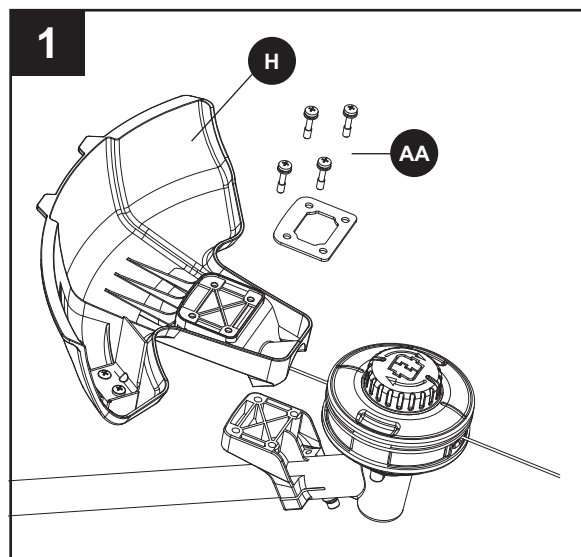
### 1. Guard

To avoid injury, always remove the battery before installing the guard, changing a cutting line, or making any adjustments.

If the guard is damaged, do not use the string trimmer until it is replaced.

**Note:** Install the protective guard before operating the string trimmer. It cannot be removed or disassembled.

- a. Remove the battery.
- b. Invert the string trimmer to access the trimmer head.
- c. Using a Phillips head screwdriver, remove the pre-installed screws (AA) from the trimmer head.
- d. Place the guard (H) on to the trimmer head and slide the guard onto the head by following the track on the head.
- e. Align the screw holes on the guard with the screw holes on the trimmer head.
- f. Insert the screws into the trimmer head, fastening the guard in place.



### Hardware Used



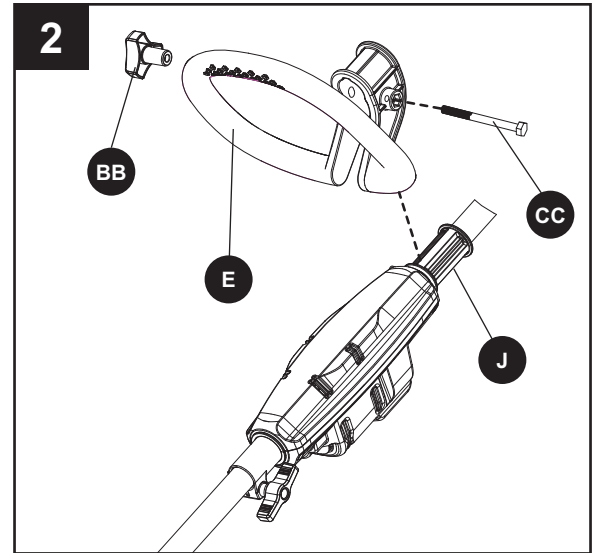
## ASSEMBLY INSTRUCTIONS

### WARNING


To avoid injury, adjust the auxiliary handle for optimum control and balance. Do not overreach when operating string trimmer. Keep proper balance at all times for better control of the tool in unexpected situations.

### 2. Front handle

- Position the front/auxiliary handle (E) onto the upper portion of the trimmer section by sliding over the rubber sleeve (J).
- Once the front handle is in the desired position, slide the bolt (CC) through the underside of the handle and secure with the fastening knob (BB). Tighten until there is no movement in the handle.
- The front handle can be adjusted to a suitable position.



### Hardware Used

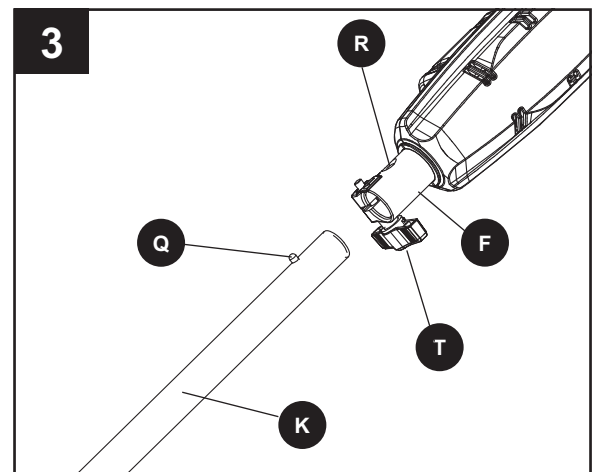
**BB** Fastening knob  x 1

**CC** Bolt  x 1

### 3. Installing an attachment to the power head

- Loosen the attachment knob (T) on the coupler.
- Push in the release button (Q) located on the lower tube (K). Align the button with the positioning hole (R) on the power head coupler (F).
- Slide the lower tube (K) in to the power head coupler (F) until the release button (Q) engages in the positioning hole (R).
- Tighten the attachment knob securely.

**Note:** If the button does not release completely in the positioning hole (R), the shafts are not locked in place. Slightly rotate from side to side until the button is locked into place.



## Attachment compatibilities


This 80-volt powerhead is compatible with universal gas attachments.

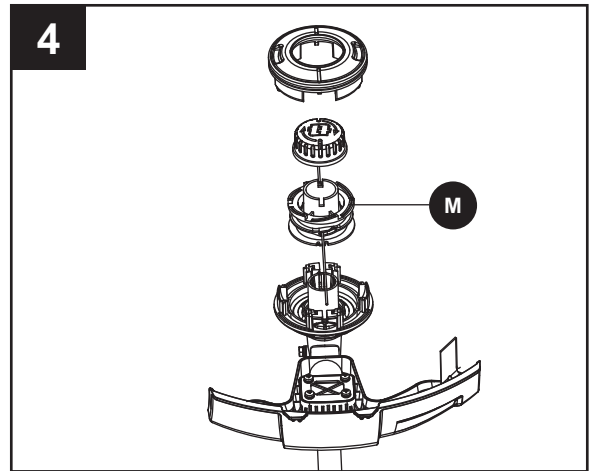
### WARNING

This string trimmer is not meant to be used with brush cutter attachments. Use of a brush cutter attachment could cause serious personal injuries or property damage.

#### 4. Cutting line

A spool of monofilament cutting line is pre-installed on the string trimmer. When the cutting line needs replacing, rewind the spool (M) with 0.080 in. trimmer line (not included).

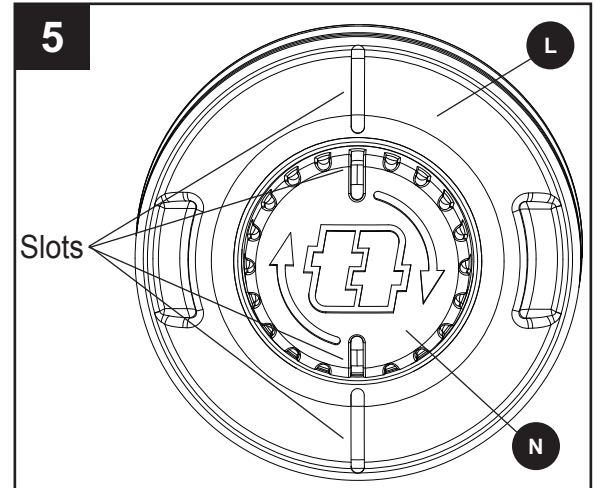
 **CAUTION:** To avoid injury, always remove the battery before installing the guard, changing a cutting line, or making any adjustments.



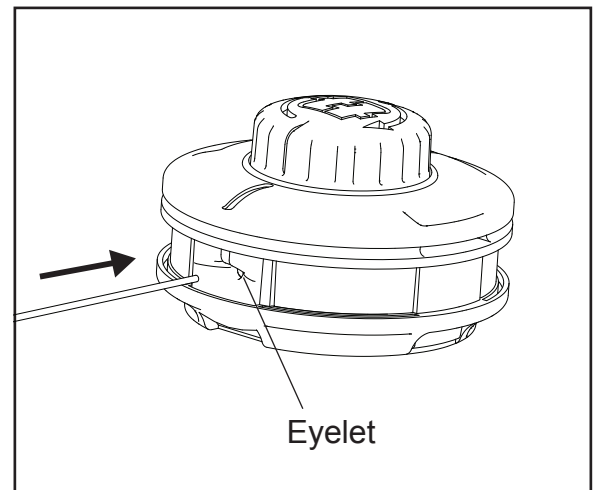
## ASSEMBLY INSTRUCTIONS

### 5. Replacing the line

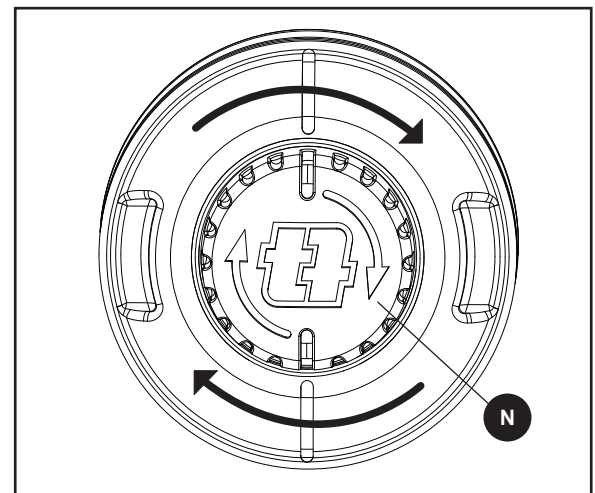
- a. If necessary, remove any old trimmer line from the cutting head. See the Removing old trimmer line section on Page 14.
- b. Turn the spool cap (N) until the slots on the spool cap and spool cover (L) are aligned.



- c. Cut 15 ft. of new 0.080 in. monofilament trimmer line.
- d. Insert the trimmer line into the eyelet. Push the trimmer line until a few inches protrude from the other eyelet.
- e. Pull the trimmer line through until the ends are of equal length.



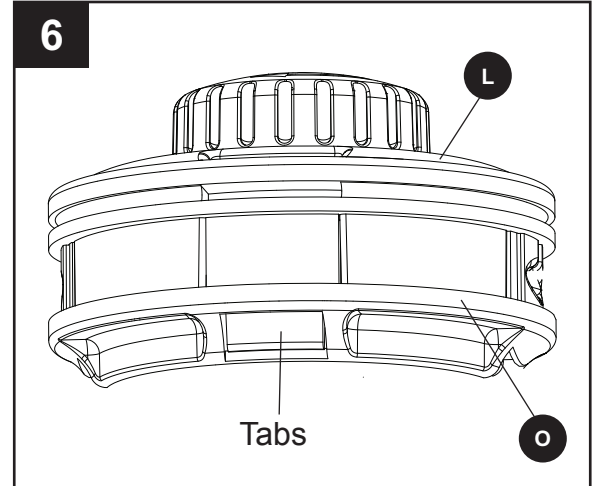
- f. Turn the spool cap (N) clockwise to wind the line until about 5 in. extend from each side of the spool.



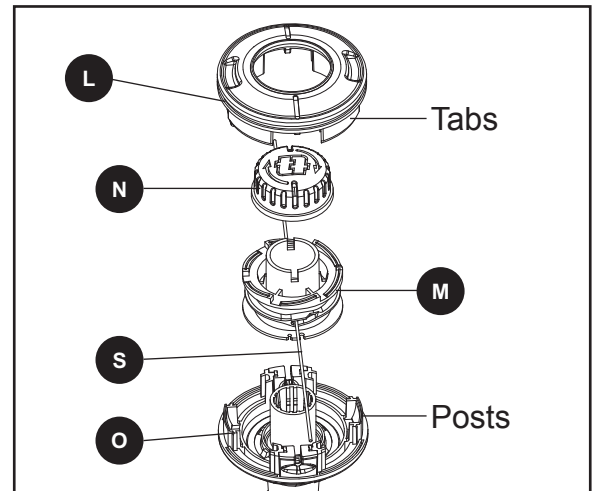
## ASSEMBLY INSTRUCTIONS

### 6. Removing old trimmer line

- a. Firmly press in the tabs on each side of the spool cover (L).
- b. Remove the spool cover from the spool housing (O).



- c. Remove any excess trimmer line (S) or obstructions from the spool (M).
- d. Use a clean cloth to wipe away any debris from the spool (M), spool cover (L), or spool housing (O).
- e. Align the tabs of the spool cover (L) with the posts on the spool housing (O). Push the spool cover (L) until the tabs securely snap into the posts.

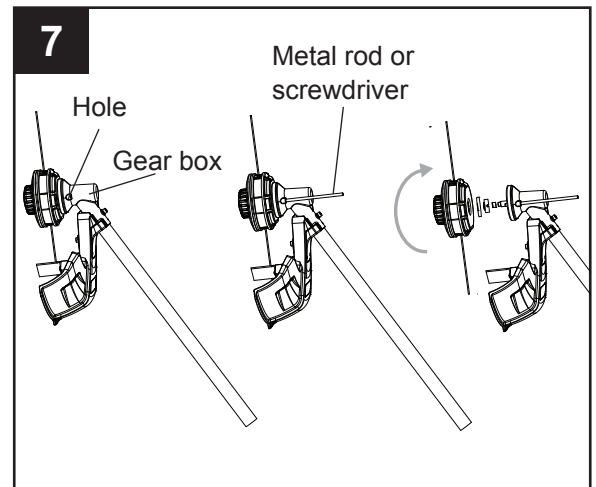


## ASSEMBLY INSTRUCTIONS

### 7. Removing the spool from the trimmer

- Turn the spool head, while looking through the hole next to the gear box. Line up the hole and the slot inside the gear box.
- Insert a small screwdriver or metal rod (not included) into the hole next to the gear box.
- Rotate the spool clockwise until the spool is removed.

**Note:** The blade seat, ring and sleeve should be installed first before installing the spool head.

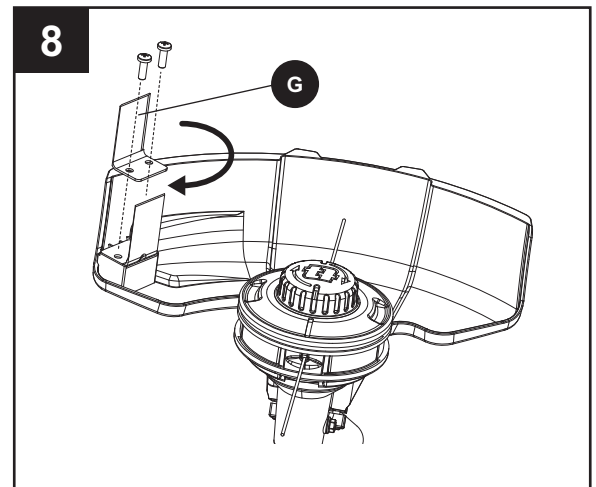


### 8. Adjusting the cutting swath

The trimmer is currently set at a 14 in. cutting swath. To adjust to a cutting swath of 16 in.:

- Remove the battery from the string trimmer.
- Remove both screws on the cut-off blade (G) with a Phillips screwdriver (not included).
- Rotate the cut-off blade (G) 180°.
- Replace both screws in the cut-off blade (G).

**Note:** Set the cut-off blade (G) to 14 in. for greater runtime. Set the cut-off blade (G) to 16 in. for greater cutting area.



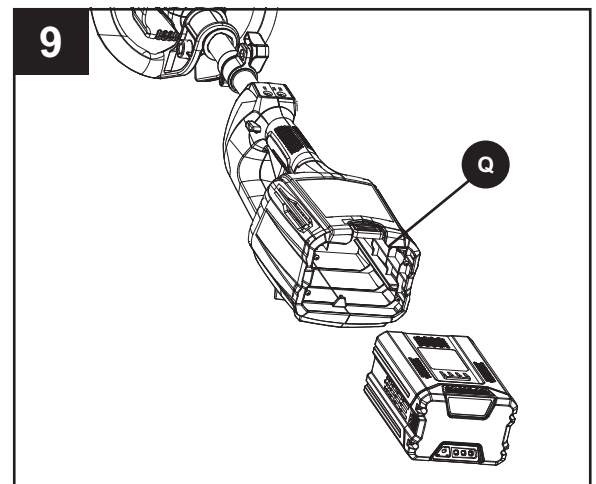
### 9. Battery

**! IMPORTANT:** The battery is not charged when it is purchased. Before using the trimmer for the first time, place the battery in the battery charger and charge. Make sure to read all safety precautions and follow the instructions on Page 7.

#### 9a. To install:

- Align the battery (not included) with the cavity in the string trimmer housing.
- Insert the battery until the battery release button (Q) locks into place.
- Push down on the battery until it locks into place. You should hear a “click” once it is installed.

**Note:** The battery can only be installed one way.



## ASSEMBLY INSTRUCTIONS

---

### 9b. To remove:

- a. Press the battery release button (Q) on the string trimmer. This will cause the battery to raise out of the tool slightly.
- b. Grasp the trimmer firmly and pull the battery out of the handle.

**Note:** The battery fits into the handle snugly in order to prevent accidental dislodging.

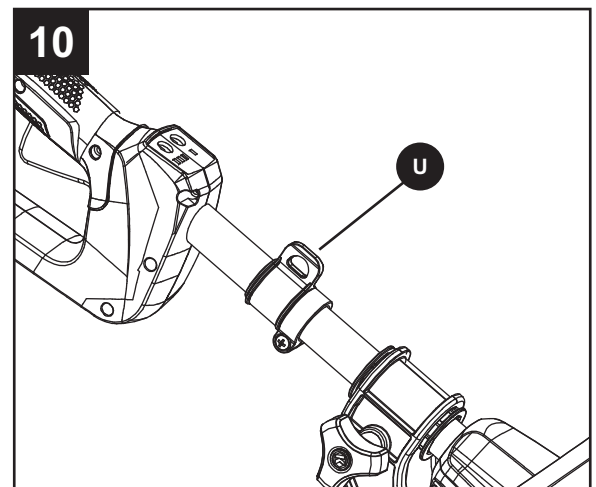


**WARNING:** Follow these instructions in order to avoid injury and to reduce the risk of electric shock or fire:

- Replace the battery immediately if the battery case is damaged.
- Verify that the switch is in the OFF position before inserting or removing the battery.
- Verify that the battery is removed and the switch is in the OFF position before inspecting, adjusting, or performing maintenance on any part of the string trimmer.
- Read, understand, and follow the instructions on Page 7.

### 10. Attaching a shoulder harness

- Rotate the harness holder (U) to the upward position.
- Hook a shoulder harness (not included) to the harness holder (U).



## OPERATING INSTRUCTIONS

---

### Before each use:

- Make sure the protective guard is tightly installed. If not, tighten the guard screws.
- Before trimming, inspect the area for string, wire, branches or other material that may become entangled in the cutting line and thrown.



### **WARNING**

To avoid injury:

- Do not squeeze the trigger while the string trimmer is facing up.
- Do not carry the string trimmer with your finger on the trigger switch to avoid unintentional starting.



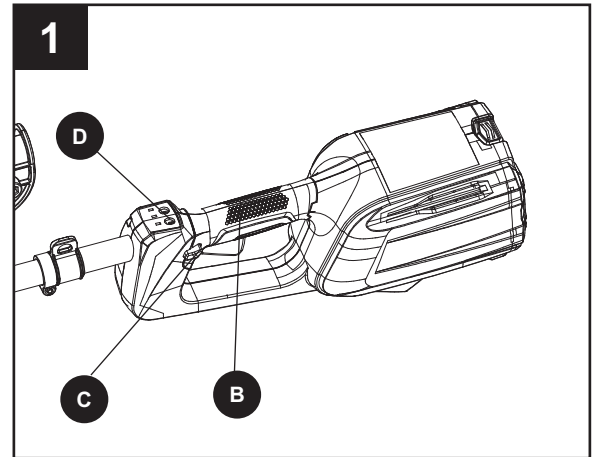
## OPERATING INSTRUCTIONS

### 1. To turn on/off:

- Press the power button (D) located on the trimmer handle.
- Press the side lock button (C). This will make the trigger switch (B) operational.
- Press and hold the trigger switch (B) for continued operation.

#### To stop the string trimmer:

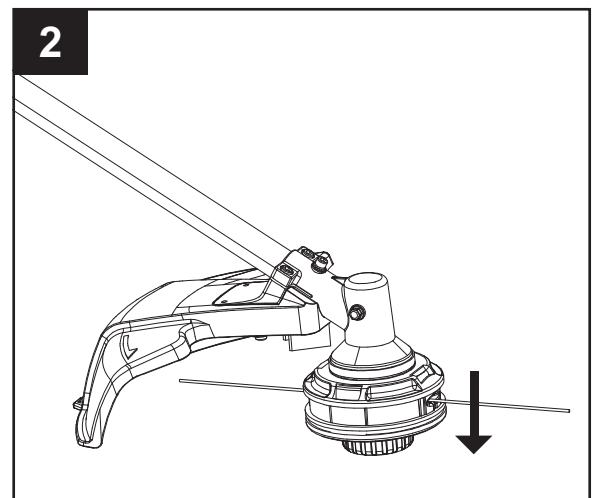
- Release the trigger switch (B).



**!** **CAUTION:** Always allow 5 seconds or more for the cutting line spool to stop rotating after releasing the trigger switch. Do not invert the string trimmer or place your hands under the protective guard until the string trimmer spool has come to a complete stop.

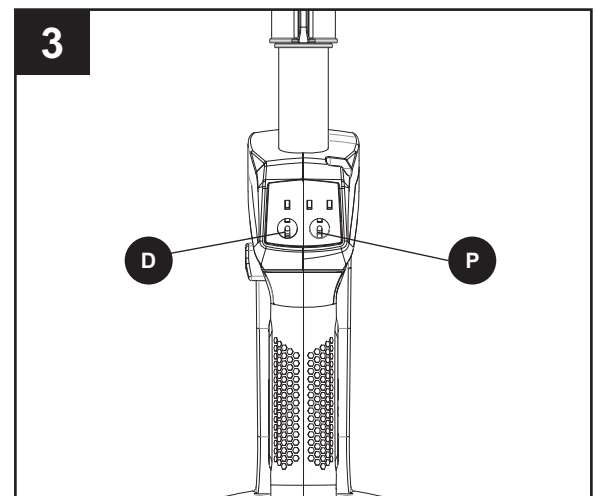
### 2. Lengthening the line

While the string trimmer is operating, the cutting line gets worn down and becomes shorter. This trimmer is equipped with bump feed line advancement, which advances additional line once the head is bumped on the ground while rotating. The cutting blade will cut the line to keep an accurate cutting swath.



### 3. Adjusting the speed of the trimmer

- Press the speed control button (P) next to the power button (D). Both LEDs will illuminate, indicating that the trimmer is currently set to “High” speed.
- Press the speed control button (P) next to the power button (D). Only one LED will illuminate, indicating that the trimmer is currently set to “Low” speed.
- The unit must be on before the speed can be adjusted. The unit defaults to the lowest speed.



## OPERATING INSTRUCTIONS

---

### During use:

- Trim only when the grass and weeds are dry.
- Do not trim grass at night. Always make sure you have adequate lighting.
- Hold the string trimmer by both the switch handle and the auxiliary handle for best control and balance.
- Stand with the cutting head tipped down at an angle in front, guiding the string trimmer in a semicircular motion around you.
- If possible, guide the string trimmer to the left to cut. The line will cut as soon as it leaves the guard, and the clippings are thrown away from you.
- To produce a smoothly trimmed area, move the string trimmer out of the area being cut with consistent speed and height.
- Use only the tip of the cutting line to do the trimming, especially near walls and fences. Trimming with the side of the cutting line may overload the motor, wear out the line faster, and break the line more often.
- Do not rest the trimmer spool on the ground while trimming. This will cause spool wear and battery drain.
- If the grass is higher than 6 in. (15 cm), trim in small stages.
- When the string trimmer is turned off and the spool stops rotating, the cutting line will relax and may recede. Feed extra cutting line before storing the trimmer to prevent losing the line completely into the spool.
- If the diameter of the cutting area gets smaller, the line is worn down and needs to be advanced more often.
- If the string trimmer is not cutting correctly, the cutting line may not be feeding properly. Remove and rewind the line spool.
- To extend the life of the battery, only use the trimmer at the lowest functional speed.



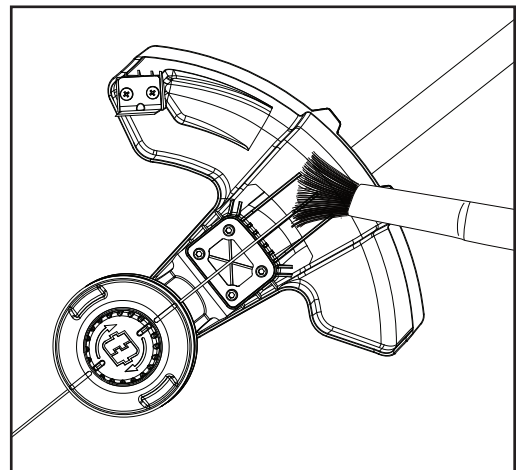
## CARE AND MAINTENANCE

---

### Trimmer Guard and Motor Maintenance

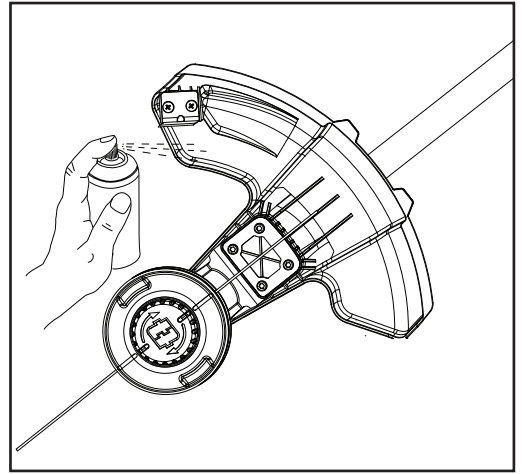
**Note:** Before performing maintenance, remove battery from the tool.

1. Remove dirt and debris from guard using a paint brush (not included).

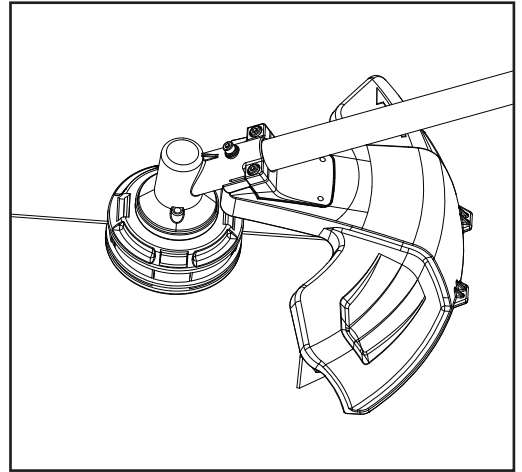


## CARE AND MAINTENANCE

- Clean line cutter blades by using a wire brush and spraying with an appropriate degreaser.



- Inspect spool and line to ensure that there is an adequate amount of line and that no damage is present to the spool.



### Storage tips:

- Do not store the string trimmer in sunlight, in an excessively warm place, or near a furnace. The battery life will be shortened.

## TROUBLESHOOTING

If you still have questions or an unresolved issue after going through this troubleshooting guide, or just want to speak to a Kobalt product expert, please call our Kobalt customer service department at **1-888-3KOBALT (1-888-356-2258)**, 8 a.m. - 8 p.m., EST, Monday - Friday.

PROBLEM	POSSIBLE CAUSE	CORRECTIVE ACTION
Motor fails to start when switch trigger is depressed.	<ol style="list-style-type: none"> <li>Battery is not secure.</li> <li>Battery is not charged.</li> </ol>	<ol style="list-style-type: none"> <li>To secure the battery, make sure the latches on the battery compartment snap into place.</li> <li>Charge the battery according to the instructions included with your model.</li> </ol>
Motor runs, but string head does not move.	<ol style="list-style-type: none"> <li>Trimmer damaged.</li> </ol>	<ol style="list-style-type: none"> <li>Do not use the string trimmer. Call 1-888-3KOBALT (1-888-356-2258) for technical service.</li> </ol>
Trimmer smokes during operation.	<ol style="list-style-type: none"> <li>Trimmer damaged.</li> </ol>	<ol style="list-style-type: none"> <li>Do not use the string trimmer. Call 1-888-3KOBALT (1-888-356-2258) for technical service.</li> </ol>

## **WARRANTY**

---

### **5-YEAR HASSLE-FREE WARRANTY**

This 80 V String Trimmer is warranted to the original purchaser from the original purchase date for five (5) years subject to the warranty coverage described herein.

This 80 V String Trimmer is warranted for the original user to be free from defects in material and workmanship.

If you believe the 80 V String Trimmer is defective at any time during the specified warranty period, simply return the 80 V String Trimmer along with proof of purchase to the place of purchase for a free replacement or refund, or call 1-888-3KOBALT (1-888-356-2258) for warranty service.

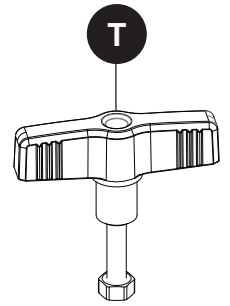
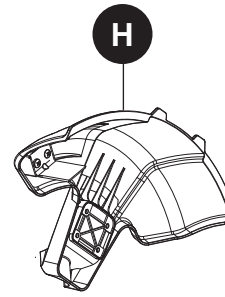
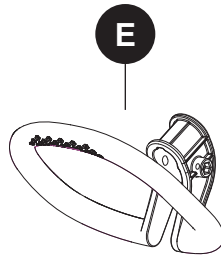
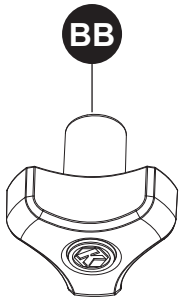
This warranty is void if: defects in materials or workmanship or damages result from repairs or alterations which have been made or attempted by others or the unauthorized use of nonconforming parts; the damage is due to normal wear, damage is due to abuse (including overloading of the tool beyond capacity), improper maintenance, neglect or accident; or the damage is due to the use of the tool after partial failure or use with improper accessories or unauthorized repair or alteration.

This warranty excludes spool.

This warranty gives you specific legal rights, and you may also have other rights that vary from state to state.

## REPLACEMENT PARTS LIST

For replacement parts, call our customer service department at 1-888-3KOBALT (1-888-356-2258), 8 a.m. - 8 p.m., EST, Monday - Friday.



PART	DESCRIPTION	PART #
BB	Fastening knob	34113877-1
CC	Bolt	322051410
E	Auxiliary handle	341081410
H	Guard	341041410
T	Attachment knob	341061410