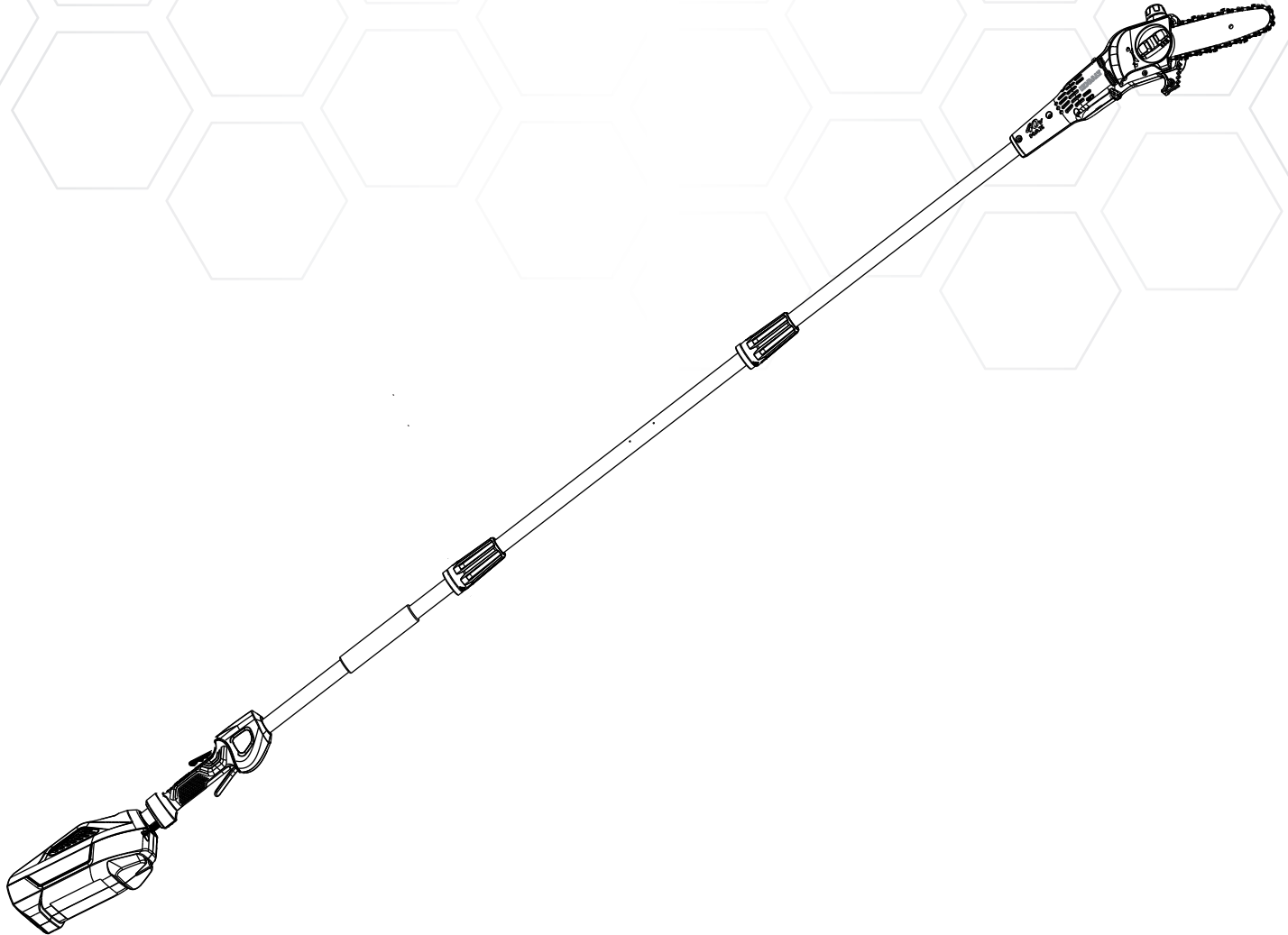


KOBALT™



40 V LITHIUM-ION CORDLESS POLE SAW

ITEM #0812424

MODEL #KPS 80

Español p. 25

ATTACH YOUR RECEIPT HERE

Serial Number _____ Purchase Date _____



Questions, problems, missing parts? Before returning to your retailer, call our customer service department at **1-888-3KOBALT** (1-888-356-2258), 8 a.m. - 8 p.m., EST, Monday - Friday.

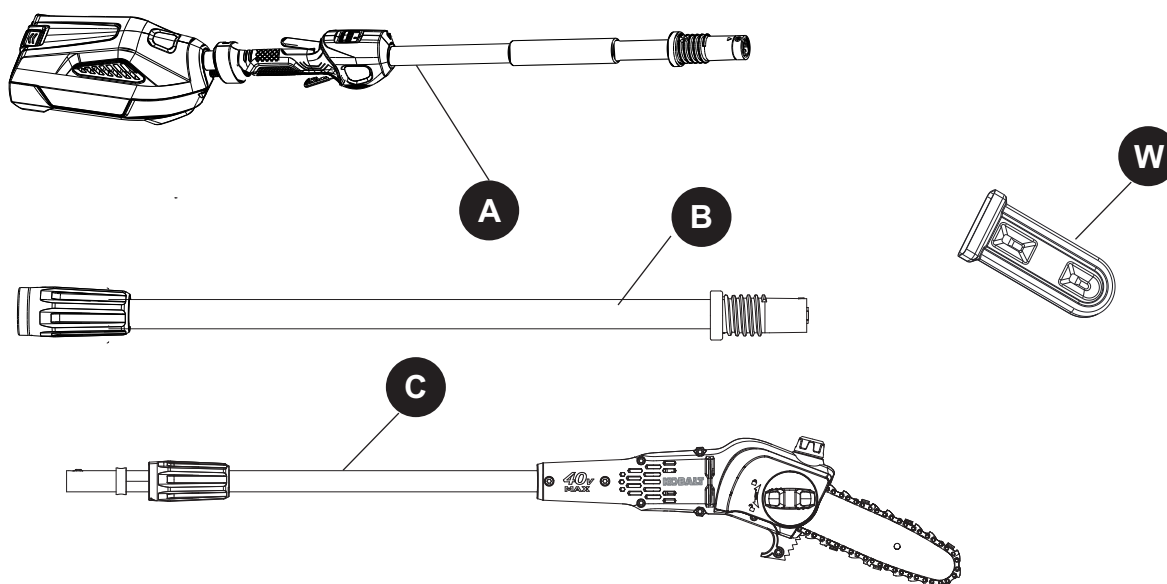
TABLE OF CONTENTS

Product Specifications	3
Package Contents	3
Symbols.....	4
Safety Information	5
Preparation	10
Know Your Pole Saw	10
Assembly Instructions	11
Operating Instructions	11
Care and Maintenance.....	16
Troubleshooting	23
Warranty	23
Replacement Parts List	24

PRODUCT SPECIFICATIONS

SPECIFICATIONS	
Type	Cordless, Battery-powered
Battery	40 V Lithium-ion
Bar Length	8 in. (20.3 cm)
Chain Pitch	3/8 in. (9.5 mm)
Chain Type	91PJ033
Guide Bar Type	080NDEA318
Weight	8.2 lbs. (3.7 kg)














PACKAGE CONTENTS



PART	DESCRIPTION	QUANTITY
A	Handle pole	1
B	Extension pole	1
C	Power head pole	1
W	Scabbard	1


SYMBOLS

Some of the following symbols may be used on this product. Please study them and learn their meaning. Proper interpretation of these symbols will allow you to operate the product better and safer.


SYMBOLS	DESIGNATION	EXPLANATION
V	Volts	Voltage
A	Amperes	Current
Hz	Hertz	Frequency (cycles per second)
W	Watts	Power
hrs	Hours	Time
n_0	No Load Speed	Rational speed, at no load
/min	Per Minute	Revolutions, strokes, surface speed, orbits, etc., per minute.
	Lithium-Ion Battery Recycling	Designates that this tool is in compliance with Lithium-Ion battery recycling program requirements.
	Direct Current	Type or a characteristic of current.
	Safety Alert Symbol	Precautions that involve your safety.
	Ear Protection	Wear ear protection when operating this equipment.
	Read the Operator's Manual	To reduce the risk of injury, user must read and understand operator's manual before using this product.
	Eye and Head Protection	Wear eye and head protection when operating this equipment.
	Gloves	Wear non-slip, heavy-duty protective gloves when handling the pole saw and the blade.
	Safety Footwear	Wear non-slip safety footwear when using this equipment.
	Kickback	DANGER! Beware of kickback.
	Risk of Electrocution	DANGER! Risk of electrocution!
	Electric Shock	Failure to use in dry conditions and to observe safe practices can result in electric shock.
	Keep Bystanders Away	Keep all bystanders at least 50 ft. (15 m) away.
	Wet conditions Alert	Do not expose to rain.

SYMBOLS

The following signal words and meanings are intended to explain the levels of risk associated with this product.

SYMBOL	SIGNAL	MEANING
	DANGER	Indicates an imminently hazardous situation, which, if not avoided, will result in death or serious injury.
	WARNING	Indicates a potentially hazardous situation, which, if not avoided, could result in death or serious injury.
	CAUTION	Indicates a potentially hazardous situation, which, if not avoided, may result in minor or moderate injury.
	CAUTION	(Without Safety Alert Symbol) Indicates a situation that may result in property damage.

WARNING

- To avoid serious personal injury, do not attempt to use this product until you have read this Owner's Manual thoroughly and understand it completely. If you do not understand the warnings and instructions in this Owner's Manual, do not use this product. Call 1-888-356-2258 for assistance.
-  The operation of any power tool can result in foreign objects being thrown into your eyes, which can result in severe eye damage. Before beginning power tool operation, always wear safety goggles or safety glasses with side shields and, when needed, a full face shield. We recommend a wide vision safety mask for use over eyeglasses or standard safety glasses with side shields. Always use eye protection which is marked to comply with ANSI Z87.1.

SAFETY INFORMATION

WARNING

When using electric gardening appliances, basic safety precautions should always be followed to reduce the risk of fire, electric shock, and personal injury, including the following:

FOR ALL APPLIANCES

- Avoid Dangerous Environment – Don't use appliances in damp or wet locations.
- Do not use in rain.
- Keep Children Away – All visitors should be kept at a distance from work area.
- Dress Properly – Do not wear loose clothing or jewelry. They can be caught in moving parts. Use of rubber gloves and substantial footwear is recommended when working outdoors. Wear protective head gear to contain long hair.
- Use Safety Glasses – Always use face or dust mask if operation is dusty.
- Use Right Appliance – Do not use appliance for any job except that for which it is intended.
- Do not grasp the exposed cutting blades or cutting edges when picking up or holding the appliance.
- Do Not Force Appliance – It will do the job better and with less likelihood of a risk of injury at the rate for which it was designed.

SAFETY INFORMATION

WARNING

Read and understand all instructions. Failure to follow all instructions listed below may result in electric shock, fire, and/or serious personal injury.

- Don't Overreach – Keep proper footing and balance at all times.
- Stay Alert – Watch what you are doing. Use common sense. Do not operate appliance when you are tired.
- When not in use, the appliance should be stored indoors in a dry, locked up place-out of the reach of children.
- Maintain Appliance With Care – Keep cutting edge sharp and clean for best performance and to reduce the risk of injury. Follow instructions for lubricating and changing accessories. Inspect appliance cord periodically, and if damaged, have it repaired by an authorized service facility. Inspect extension cords periodically and replace if damaged. Keep handles dry, clean, and free from oil and grease.
- Check Damaged Parts – Before further use of the appliance, a guard or other part that is damaged should be carefully checked to determine that it will operate properly and perform its intended function. Check for alignment of moving parts, binding of moving parts, breakage of parts, mounting, and any other condition that may affect its operation. A guard or other part that is damaged should be properly repaired or replaced by an authorized service center unless indicated elsewhere in this manual.
- Keep hands away from blades.
- Do not charge appliance in rain, or in wet locations.
- Do not use battery-operated appliance in rain.
- Prevent unintentional starting. Ensure the switch is in the off position before connecting to battery pack, picking up or carrying the appliance. Carrying the appliance with your finger on the switch or energizing appliance that has a switch on invites accidents.
- Disconnect the battery pack from the appliance before making any adjustments, changing accessories, or storing appliance. Such preventive safety measures reduce the risk of starting the appliance accidentally.
- Recharge only with the charger specified by the manufacturer. A charger that is suitable for one type of battery pack may create a risk of fire when used with another battery pack.
- Use appliances only with specifically designated battery packs. Use of any other battery packs may create a risk of injury or fire.
- When battery pack is not in use, keep it away from other metal objects, like paper clips, coins, keys, nails, screws or other small metal objects, that can make a connection from one terminal to another. Shorting the battery terminals together may cause burns or a fire.
- Under abusive conditions, liquid may be ejected from the battery; avoid contact. If contact accidentally occurs, flush with water. If liquid contacts eyes, additionally seek medical help. Liquid ejected from the battery may cause irritation or burns.
- Do not use a battery pack or appliance that is damaged or modified. Damaged or modified batteries may exhibit unpredictable behavior resulting in fire, explosion or risk of injury.
- Do not expose a battery pack or appliance to fire or excessive temperature. Exposure to fire or temperature above 265°F (130°C) may cause explosion.
- Follow all charging instructions and do not charge the battery pack or appliance outside of the temperature range specified in the instructions. Charging improperly or at temperatures outside of the specified range may damage the battery and increase the risk of fire.
- Have servicing performed by a qualified repair person using only identical replacement parts. This will ensure that the safety of the product is maintained.
- Do not modify or attempt to repair the appliance or the battery pack (as applicable) except as indicated in the instructions for use and care.

SAFETY INFORMATION

WARNING

Read and understand all instructions. Failure to follow all instructions listed below may result in electric shock, fire, and/or serious personal injury.

For Battery


- When inserting battery into this product, the proper polarity or direction must be observed.
- Reverse insertion of battery can result in leakage or explosion.
- Remove or disconnect battery before servicing, cleaning or removing material from the gardening appliance.
- Use only 40 V Kobalt batteries (KB 240-06, KB 440-06, KB 245-06, KB 540-06).
- Do not dispose of the battery in a fire as the cells may explode. Check with local codes for possible special disposal instructions.
- If electrolyte contacts the skin, wash it off immediately with water.
- If electrolyte contacts the eyes, flush thoroughly and immediately with water. Seek medical attention.
- Wear full eye protection and protective clothing.
- Do not open or damage the battery. Released electrolyte is corrosive and may cause damage to the eyes or skin. It may be toxic if swallowed.

General Safety Rules


- Keep all parts of the body away from the saw chain. Make sure the switch is off when clearing jammed material. Saw chain continues to move after the switch is turned off. A moment of inattention while operating the extended-reach pruner may result in serious personal injury.
- Carry the pole saw by the handle with the saw chain stopped. When transporting or storing the pole saw, always fit the saw chain cover. Proper handling of the pole saw will reduce possible personal injury from the saw chain.
- Hold the pole saw by insulated gripping surfaces only, because the saw chain may contact hidden wiring or its own cord. A saw chain contacting a "live" wire may make exposed metal parts of the pole saw "live" and could give the operator an electric shock.
- Keep cable away from cutting area. During operation, the cable may be hidden in shrubs and can be accidentally cut by the saw chain.
- Do not use the pole saw in bad weather conditions, especially when there is a risk of lightning. This decreases the risk of being struck by lightning.
- To reduce the risk of electrocution, never use near any electrical power lines. Contact with or use near power lines may cause serious injury or electric shock resulting in death.
- Always use two hands when operating the extended-reach pruner. Hold the extended-reach pruner with both hands to avoid loss of control.
- Always use head protection when operating the extended-reach pruner overhead. Falling debris can result in serious personal injury.
- Do not allow children or untrained individuals to use this unit.
Thoroughly inspect the area where the equipment is to be used and remove all foreign objects.
- Wear safety glasses or goggles that are marked as complying with ANSI Z87.1 standard as well as head protection when operating this product.
- Dress properly. Wear heavy long pants, boots, and gloves. Do not wear loose fitting clothing, short pants, or go barefoot. Do not wear jewelry of any kind.
- Secure long hair above shoulder level to prevent entanglement in moving parts.
- Keep all bystanders, children, and pets at least 50 ft. (15 m) away.
- Stay Alert — Watch what you are doing; use common sense. Do not operate this unit when you are tired, ill, or under the influence of alcohol, drugs, or medication.
- Do not operate in poor lighting.

SAFETY INFORMATION

- Keep firm footing and balance. Do not overreach. Overreaching can result in loss of balance.
- Keep all parts of your body away from any moving part.
- Inspect the unit before each use for loose fasteners, etc. Replace any damaged parts before use.
- When not in use, product should be stored indoors in a dry, locked up place — out of the reach of children.
- Use only original manufacturer's replacement parts. Failure to do so may cause poor performance, possible injury, and will void your warranty.
- Use the right appliance. Do not use the product for any job except that for which it is intended.
- Do not use on steps, a ladder, or unstable support. Stable footing on a solid surface enables better control of the product in unexpected situations.
- Do not force the product. It will do the job better and with less likelihood of a risk of injury at the rate for which it was designed.

 **DANGER:** Keep hands away from cutting area. Keep both hands on handles when power is on.

 **CAUTION:** Chain coasts after being turned off.

 **WARNING:** Do not operate near electrical power lines. The unit has not been designed to provide protection from electric shock in the event of contact with overhead electric lines. Consult local regulations for safe distances from overhead electric power lines and ensure that the operating position is safe and secure before operating the saw chain pole pruner.

Specific safety rules

- Kickback is a dangerous reaction that can lead to serious injury. Kickback may occur when the moving chain contacts an object at the upper portion of the tip of the guide bar or when the wood closes in and pinches the chain in the cut. Contact at the upper portion of the tip of the guide bar can cause the chain to dig into the object and stop the chain for an instant. The result is a lightning-fast reverse reaction which kicks the guide bar up and back toward the operator. If the chain is pinched along the top of the guide bar, the guide bar can be driven rapidly back toward the operator, which can cause loss of control and may result in serious injury. Do not rely exclusively upon the safety devices built into the product. With a basic understanding of kickback, you can reduce or eliminate the element of surprise. Sudden surprise contributes to accidents.
- Use pole saw for cutting wood only. Do not use for cutting non-wood items.
- Make sure that the area in which you are cutting is free from obstructions. Do not let the nose of the guide bar contact a log, branch, fence, or any other obstruction while you are operating the unit. Have a planned retreat path.
- Do not grasp the exposed cutting blades or cutting edges when picking up or holding the product.
- Cut only when visibility and light are adequate for you to see clearly.
- To protect yourself from electrocution, do not operate within 50 ft. (15 m) of overhead electrical lines.
- Before starting the motor, make sure the chain is not contacting any object. To protect yourself from falling branches, do not stand directly under the branch or limb being cut. This unit should not be held at an angle over 60° from ground level.
- Turn off the motor and make sure the cutting attachment has stopped before setting the unit down.
- Follow the sharpening and maintenance instructions for the saw chain.
- Use only the replacement guide bars and low kickback chains specified for the unit.
- Do not operate the saw with one hand! Serious injury to the operator, helpers, bystanders, or any combination of these persons may result from one hand operation. This saw is intended for two-handed use.

SAFETY INFORMATION

- Use extreme caution when cutting small sized brush and saplings because slender material may catch the saw chain and be whipped toward you or pull you off balance.
- When cutting a limb that is under tension, be alert for spring back so that you will not be struck when tension in wood fibers are released.
- To avoid accidental starting, never carry a battery operated product with your finger on the switch. Be sure switch is off when inserting the battery.
- Maintain product with care. Keep cutting edge sharp and clean for best performance and to reduce the risk of injury. Follow instructions for lubricating and changing accessories. Inspect battery periodically and, if damaged, have it replaced. Keep handles dry, clean, and free from oil and grease.
- Check for damaged parts. Before further use of the product, a guard or other part that is damaged should be carefully checked to determine that it will operate properly and perform its intended function. Check for alignment of moving parts, binding of moving parts, breakage of parts, mounting, and any other condition that may affect its operation. A guard or other part that is damaged should be properly repaired or replaced by an authorized service center unless indicated elsewhere in this manual.
- Remove the battery from pole saw when not in use, before servicing, and when changing accessories.
- Service on the product must be performed by qualified repair personnel only. Service or maintenance performed by unqualified personnel could result in injury to the user or damage to the product.
- Save these instructions. Refer to them frequently and use them to instruct others who may use this product. If you loan someone this product, loan them these instructions also to prevent misuse of the product and possible injury.

WARNING

This product contains lead, a chemical known to the state of California to cause birth defects and other reproductive harm. Wash your hands after handling this product.

Service

Servicing requires extreme care and knowledge and should be performed only by a qualified service technician. For service, we suggest you return the product to your nearest authorized service center for repair. When servicing, use only identical replacement parts.

SAVE THESE INSTRUCTIONS

PREPARATION

Before beginning to assemble the product, make sure all parts are present. Compare parts with package contents list. If any part is missing or damaged, do not attempt to assemble the product.

Helpful Tools (not included): Phillips screwdriver for tightening the chain.

PREPARATION

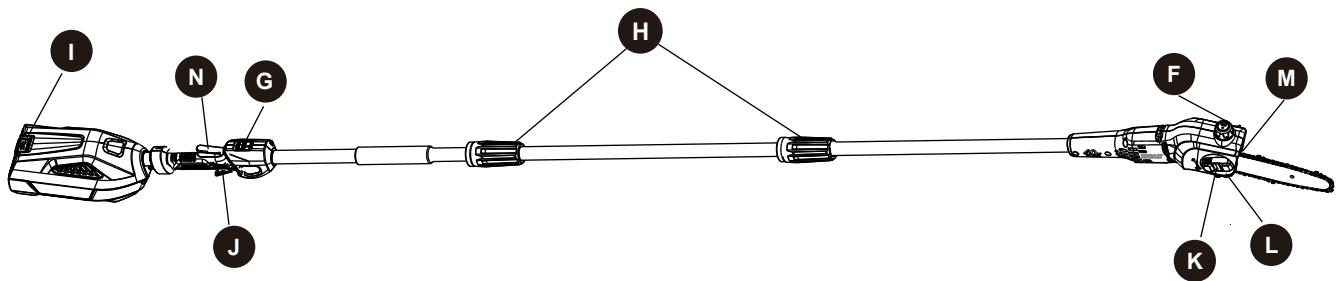
UNPACKING

- This product has been shipped unassembled.
- Carefully remove the product and any accessories from the box. Make sure that all items listed in the package contents section are included.
- Inspect the product carefully to make sure no breakage or damage occurred during shipping.
- Do not discard the packing material until you have carefully inspected and satisfactorily operated the product.
- If any parts are damaged or missing, please call 1-888-3KOBALT (1-888-356-2258) for assistance.

WARNING

- If any parts are damaged or missing, do not operate this product until the parts are replaced. Failure to heed this warning could result in serious personal injury.
- Do not attempt to modify this product or create accessories not recommended for use with this product. Any such alteration or modification is misuse and could result in a hazardous condition leading to possible serious personal injury.
- Do not install the battery until assembly is complete. Failure to comply could result in accidental starting and possible serious personal injury.

KNOW YOUR POLE SAW



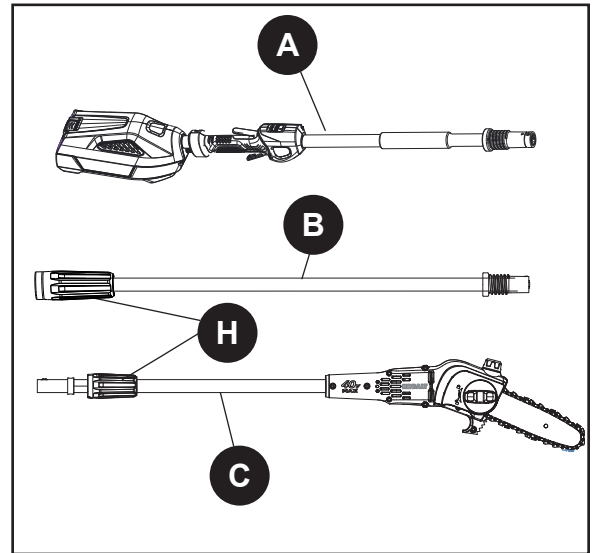
PART	DESCRIPTION
F	Oil Cap
G	Safety Lock Button
H	Collar
I	Battery Release Button
J	Trigger Switch
K	Bar Cover Knob
L	Bar Cover
M	Chain Tension Screw
N	Lock-off Lever

ASSEMBLY INSTRUCTIONS

Connecting the poles

Before using the pole saw, assembly is required. When removed from the box, there are three parts.

- Remove packaging material and discard.
- Insert the extension pole (B) into the handle pole (A) and slide together.
- Lower the collar (H) on the extension pole (B) to the threaded base on the handle pole (A) and rotate clockwise to secure.
- Repeat this process to attach the extension pole (B) to the power head pole (C).



WARNING

- Do not allow familiarity with this product to make you careless. Remember that a careless fraction of a second is sufficient to inflict serious injury.
- Always wear safety goggles or safety glasses with side shields when operating power tools. Failure to do so could result in objects being thrown into your eyes, resulting in possible serious injury.
- Do not use any attachments or accessories not recommended by the manufacturer of this product. The use of attachments or accessories not recommended can result in serious personal injury.
- Failure to lock power head pole as directed above could result in serious injury or death.

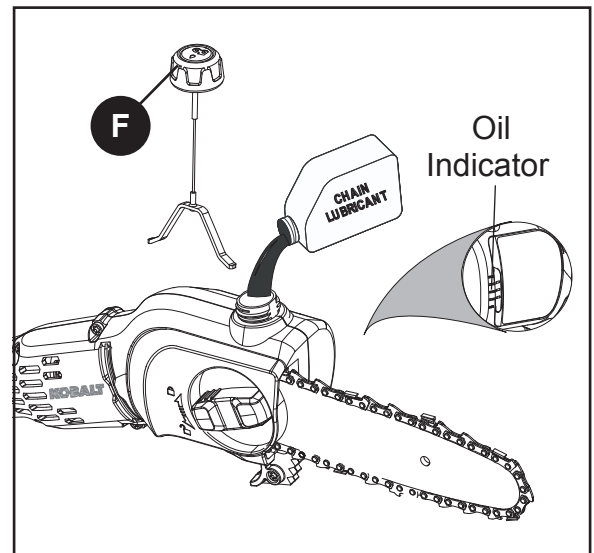
OPERATING INSTRUCTIONS

Adding bar and chain lubricant

Use a bar and chain lubricant (not included) with this product. It is designed for chains and chain oilers, and is formulated to perform over a wide temperature range with no dilution required.

Note: This pole saw comes from the factory with no bar and chain oil added. Level should also be checked after every 20 minutes of use and refilled as needed.

- Remove oil cap (F).
- Carefully pour the bar and chain oil into the tank.
- Wipe off excess oil. Replace oil cap (F).
- Check and fill the oil tank when quick view oil indicator is below the second to last indicator line.
- Repeat as needed.



Note: Do not use dirty, used or otherwise contaminated oils. Damage may occur to the bar or chain.

Note: It is normal for oil to seep from the saw when not in use. To prevent seepage, empty the oil tank after each use, then run for one minute. When storing the unit for a long period of time (three months or longer), be sure the chain is lightly lubricated; this will prevent rust on the chain and bar sprocket.

IMPORTANT

To preserve natural resources, please recycle or dispose of oil properly. Consult your local waste authority for information regarding available recycling and/disposal options.

OPERATING INSTRUCTIONS

Battery

! **IMPORTANT:** The battery may not be charged when it is purchased. Before using the pole saw for the first time, place the battery in the battery charger and charge. Make sure to read all safety precautions and follow the instructions in the battery and charger manuals.

To install the battery:

1. Align the battery (not included) with the battery opening.
2. Insert the battery into the battery opening until the battery release button (I) locks into place.
3. Push down on the battery until it locks into place. You should hear a “click” once it is installed.

To remove the battery:

1. Press the battery release button (I) on the pole saw. This will cause the battery to slightly raise out of the tool.
2. Grasp the pole saw firmly and pull the battery out of the handle.

! WARNING

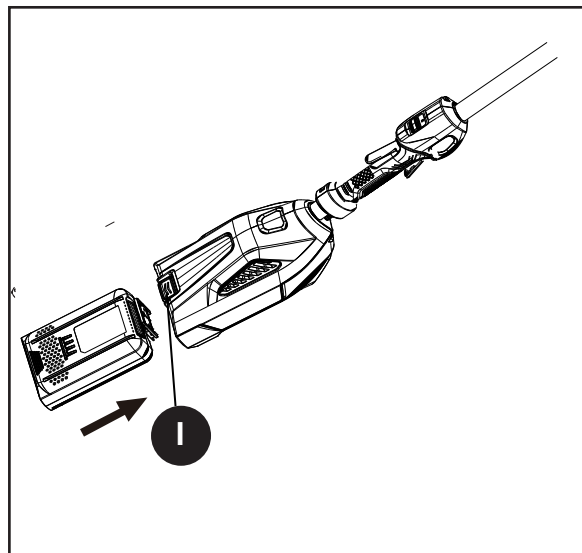
Follow these instructions in order to avoid injury and to reduce the risk of electric shock or fire:

- Replace the battery or the charger immediately if the battery case or charger cord is damaged.
- Verify that the switch is in the OFF position before inserting or removing the battery pack.
- Verify that the battery is removed and the switch is in the OFF position before inspecting, adjusting, or performing maintenance on any part of the pole saw.
- Read, understand, and follow the instructions contained in the charger manual.

! IMPORTANT

This lithium-ion battery is equipped with an internal circuit breaker which will automatically shut off the power to the tool and then reset itself once cooled. Follow these steps if an overload occurs while under heavy use:

1. Release the power switch and restart tool by depressing switch.
2. The battery may need to be removed for approximately 1 minute, allowed to cool and then reinstalled for use.



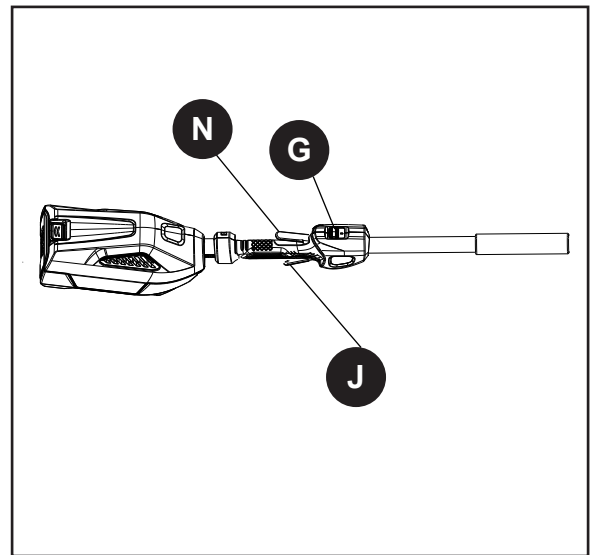
OPERATING INSTRUCTIONS

Starting and stopping

A. To start the motor:

- Press the lock-out lever (N). Squeeze the trigger switch (J) to start.
- Release the trigger switch (J) to stop.

Note: To lock out the trigger, you can pull back the safety lock button (G) with your thumb. To unlock the safety lock, push it forward. When the trimmer is not in use, you can use the safety lock to prevent activation during storage or transport.

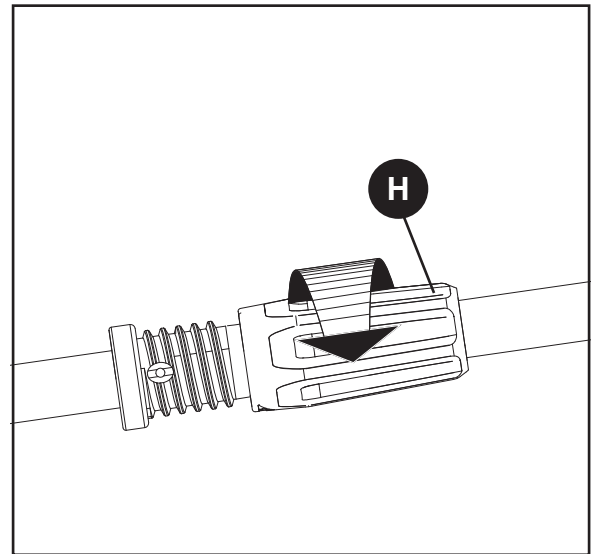


Adjusting pole saw height

- Rotate the collar (H) counterclockwise to loosen.
- Remove power head pole from extension pole by pulling up on it.
- Rotate second collar (H) counterclockwise to loosen.
- Remove extension pole from handle pole by pulling up on it.
- Insert the handle pole into the power head pole.
- Rotate collar (H) clockwise to tighten.

Note:

- Adjust hand placement on the shaft of the pole saw to keep proper balance.
- Assemble poles only to the length required to reach the limb being cut. Do not extend the handle above waist height.



Preparation for cutting

- Wear non-slip gloves for maximum grip and protection.
- Maintain a proper grip on the unit whenever the motor is running. Use your right hand to firmly grip the rear handle while your left hand has a firm grip on the pole shaft.
- Hold unit firmly with both hands. Always keep your left hand on the pole shaft and your right hand on the rear handle so your body is to the left of the chain line. Never use a left-handed (cross-handed) grip, or any stance that places your body or arm across the chain line.
- Never stand directly under the limb you are cutting.
- Be certain the collars are fully tightened before operating equipment; check them periodically for tightness during use to avoid serious injury.

Basic cutting procedure

Follow the steps below to prevent damage to tree or shrub bark. Do not use a back-and-forth sawing motion.

- Make a shallow first cut (1/4 of limb diameter) on the underside of the limb close to the main limb or trunk.
- Make a second cut from the top side of the limb outboard from the first cut. Continue the cut through the limb until the limb separates from the tree. Be prepared to balance the weight of the tool when the limb falls.
- Make a final cut close to trunk.

OPERATING INSTRUCTIONS

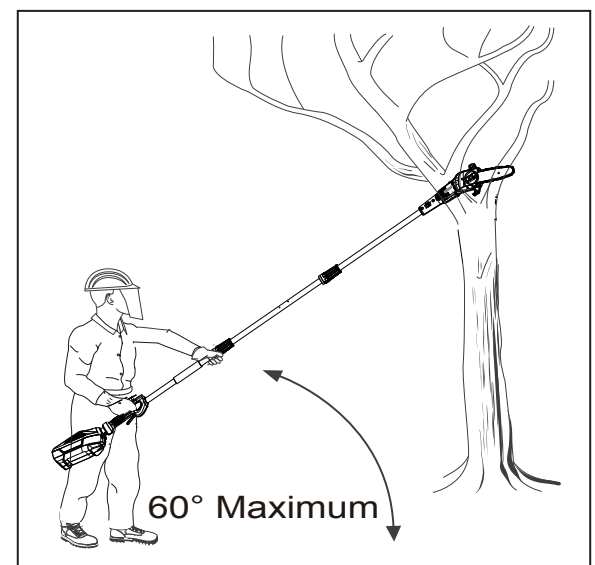
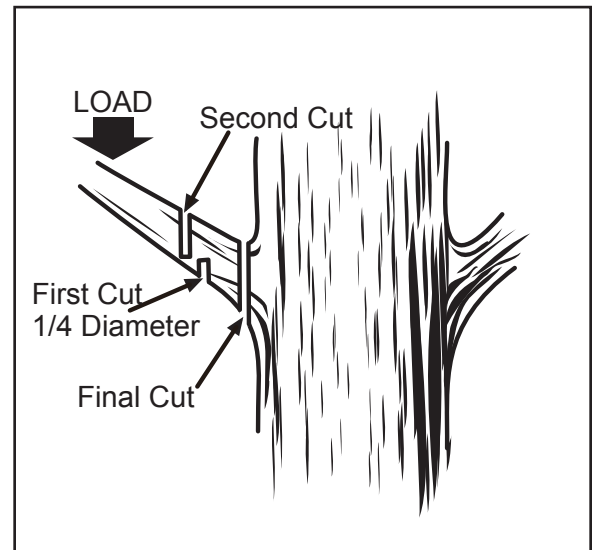
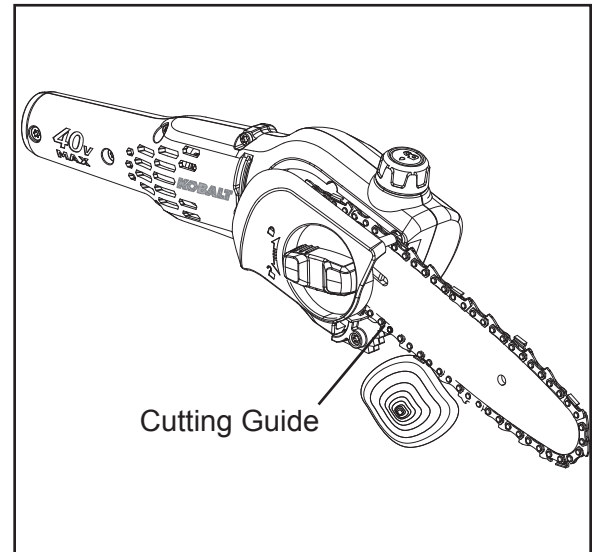
- Release the trigger as soon as the cut is completed. Failure to follow proper cutting procedures will result in the bar and chain binding and becoming pinched or trapped in the limb. If this should happen:
- Stop the motor and remove the battery from the pole saw.
- If the limb can be reached from the ground, lift the limb while holding the saw. This should release the “pinch” and free the saw.
- If the saw is still trapped, call a professional for assistance.

Note: For second and final cuts (from top of limb or branch), hold front cutting guide against the limb being cut. This will help steady the limb and make it easier to cut. Allow chain to cut for you; exert only light downward pressure. If you force the cut, damage to the bar, chain, or motor can result.

Limbing and pruning

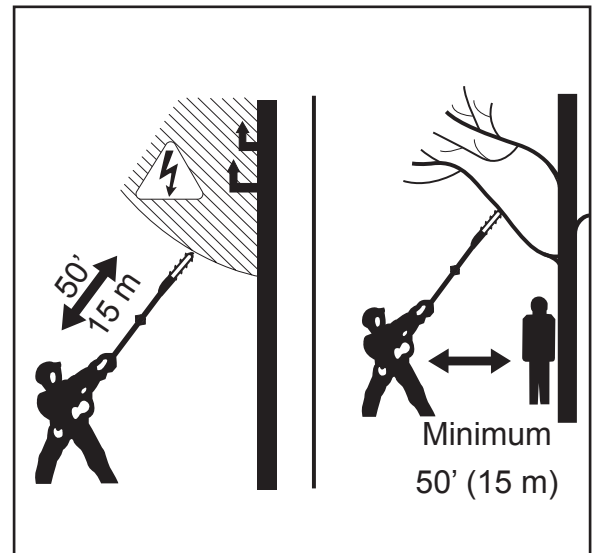
This unit is designed for trimming small branches and limbs up to 6 in. (15.2 cm) in diameter. For best results, observe the following precautions:

- Plan the cut carefully. Be aware of the direction in which the branch will fall.
- Branches may fall in unexpected directions. Do not stand directly under the branch being cut.
- The most typical cutting application is to position the unit at an angle of 60° or less, depending on the specific situation. As the angle of the pole saw shaft to ground increases the difficulty of making the first cut (from underside of limb) increases.
- Remove long branches in several stages.
- Cut lower branches first to allow the top branches more room to fall.
- Work slowly, keeping both hands on the saw with a firm grip. Maintain secure footing and balance.



OPERATING INSTRUCTIONS

- Keep the tree between you and the chain while limbing. Cut from the side of the tree opposite of the branch you are cutting.
- Do not cut from a ladder; this is extremely dangerous. Leave this operation for professionals.
- Do not make the flush cut next to the main limb or trunk until you have cut off the limb further out to reduce the weight.
Following proper cutting procedures will prevent stripping the bark from the main member.
- Do not use the pole saw for felling or bucking.
- To prevent electrocution, do not operate within 50 ft. (15 m) of overhead electrical lines.
- Keep bystanders at least 50 ft. (15 m) away.



CARE AND MAINTENANCE

! WARNING

- When servicing, use only identical replacement parts. Use of any other parts may create a hazard or cause product damage.
- Always wear safety goggles or safety glasses with side shields during power tool operation or when blowing dust. If operation is dusty, also wear a dust mask.
- Before inspecting, cleaning or servicing the unit, stop the motor, wait for all moving parts to stop, and remove the battery. Failure to follow these instructions can result in serious personal injury or property damage.

General Maintenance

- Avoid using solvents when cleaning plastic parts. Most plastics are susceptible to damage from various types of commercial solvents and may be damaged by their use. Use clean cloths to remove dirt, dust, oil, and grease, etc.
- Do not at any time let brake fluids, gasoline, petroleum-based products, penetrating oils, etc., come in contact with plastic parts. Chemicals can damage, weaken, or destroy plastic, which may result in serious personal injury.
- All pole saw service, other than the items listed in the instruction manual maintenance instructions, should be performed by authorized service centers.

! WARNING

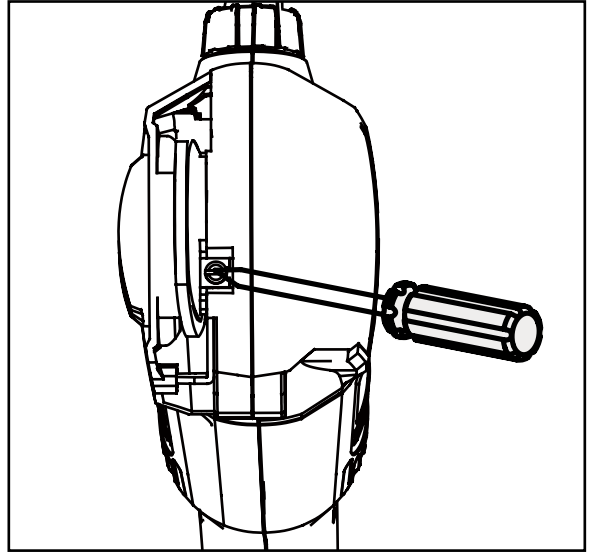
To avoid possible serious injury, never touch or adjust the chain while the motor is running. The saw chain is very sharp; always wear protective gloves when performing maintenance to the chain.

CARE AND MAINTENANCE

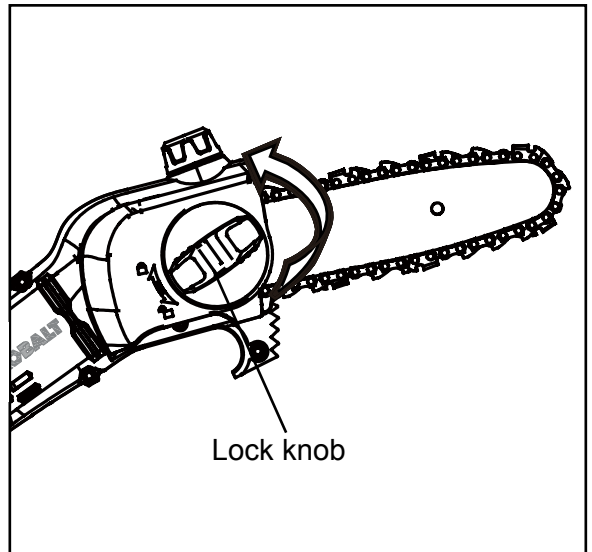
Chain & Bar Assembly

During use, the chain will stretch and become dull. Debris and saw dust can also collect underneath the bar cover. Use the following steps to maintain your pole saw and chain.

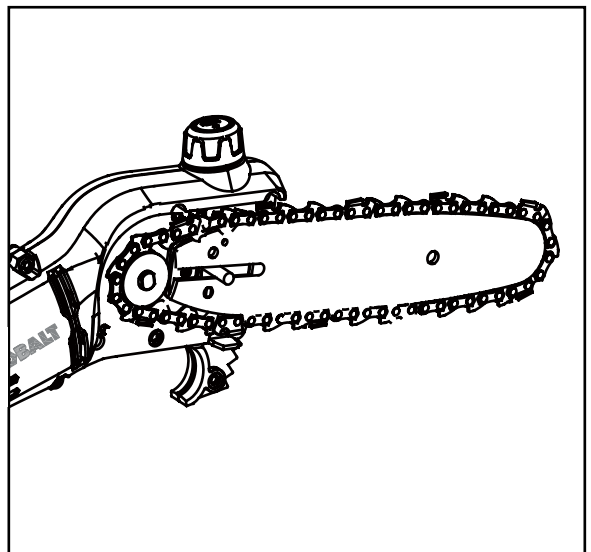
- Release chain tension by turning the tension adjustment screw, located behind the chain bar, counterclockwise.



- Unscrew the lock knob.

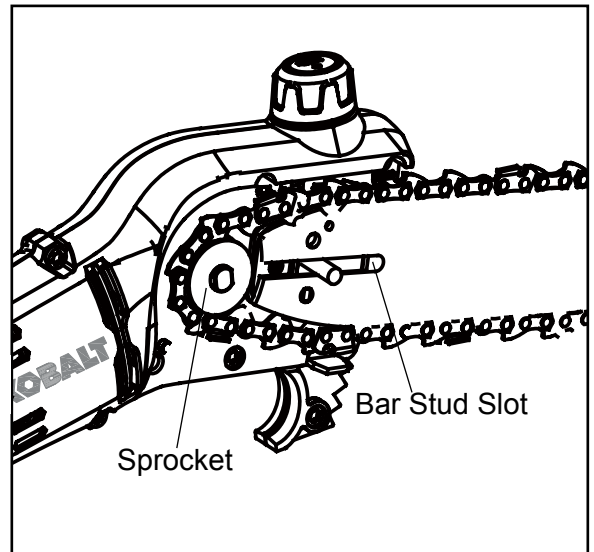


- Remove the cover.
- The bar and chain can now be removed by lifting it away from the main body of the saw and releasing the chain from the sprocket.
- The pole saw can now be cleaned with a brush and/or rag to remove sawdust and oil.

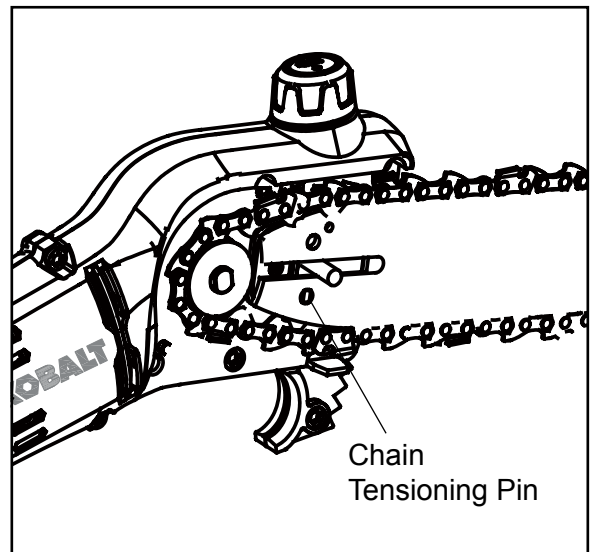


CARE AND MAINTENANCE

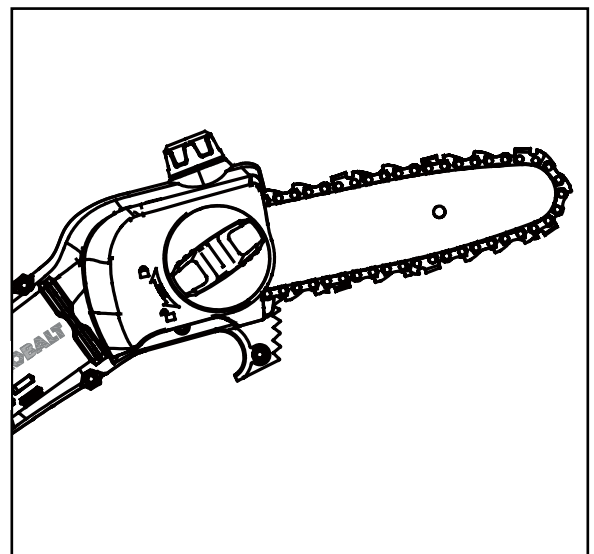
- To replace the bar and chain, loop the chain over the sprocket and place the bar against the bar stud slot.



- Ensure that the chain tensioning pin is located in the tensioning hole on the chain bar.
- Also ensure that the rubber block and chain bar are free of oil, as this helps to keep tension on the chain.

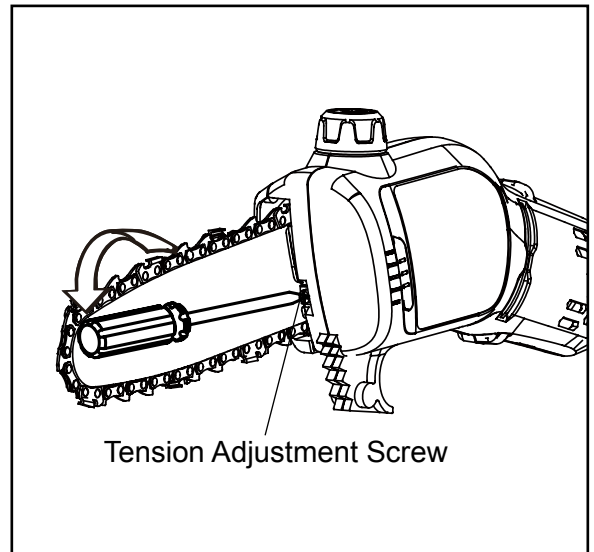


- Replace the side cover and lock knob, but do not fully tighten.



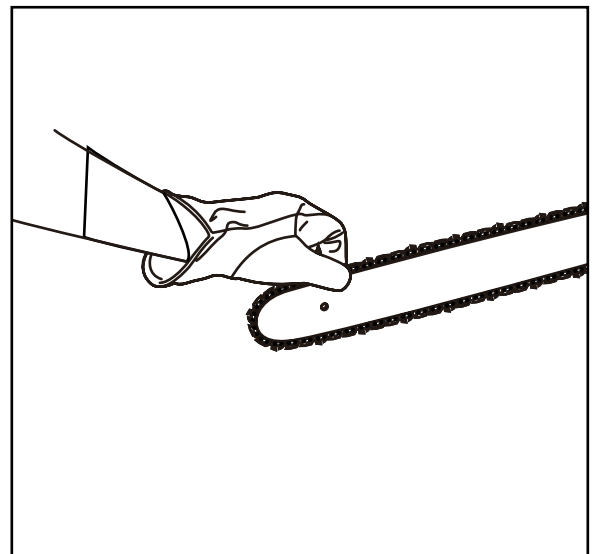
CARE AND MAINTENANCE

- Using a Phillips screwdriver (not included) on the tension adjustment screw, turn clockwise.



- Turn clockwise until there is enough play that the chain can be pulled away from the bar, but not so much that the runners can be pulled out of the bar.
- Once you have the correct tension, fully tighten the locking knob.

Note: Chains stretch with use. Check tension often. Never tension a warm chain before storing, as chains shrink when cool. This can damage chain, bar and saw.



CARE AND MAINTENANCE

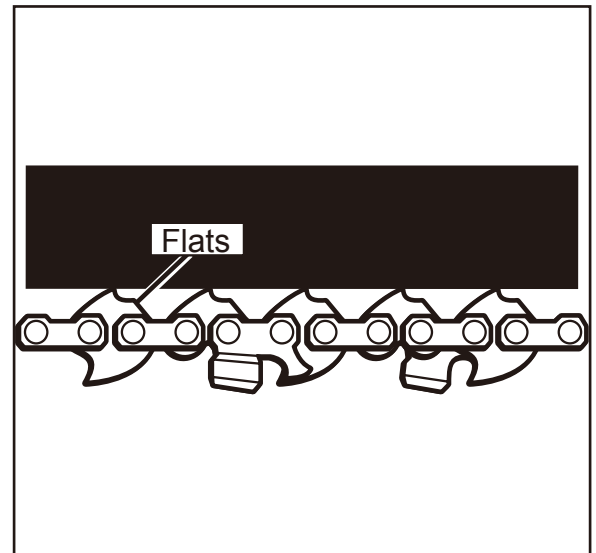
Chain tension

- Stop the motor and remove the battery before setting the chain tension. Turn the bar cover knob counterclockwise to loosen the bar cover but do not remove the bar cover. Turn the chain tensioning screw clockwise to tension chain. Turn the guide bar knob clockwise to tighten. Refer to the Replacing the bar and chain section for additional information.

Note: A cold chain is correctly tensioned when there is no slack on the underside of the guide bar, the chain is snug, but it can be turned by hand without binding.

- Chain must be retensioned whenever the flats on the drive links hang out of the bar groove.
- During normal operation, the temperature of the chain will increase. The drive links of a correctly tensioned warm chain will hang approximately 1/16 in. (1.3 mm) out of the bar groove.

Note: New chain tends to stretch; check chain tension frequently.



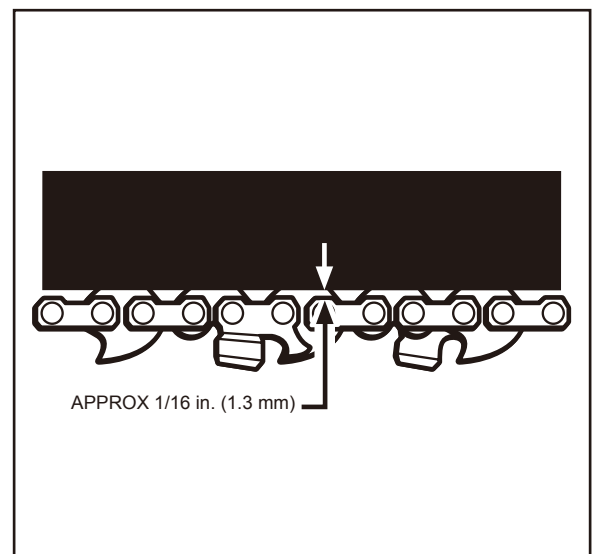
CAUTION

Chain tensioned while warm may be too tight upon cooling. Check the "cold tension" before next use.

Replacing the bar and chain

WARNING

To avoid possible serious injury, stop the motor and remove the battery from the pole saw before replacing the bar, chain, or performing any maintenance operation.



CARE AND MAINTENANCE

Chain oiler

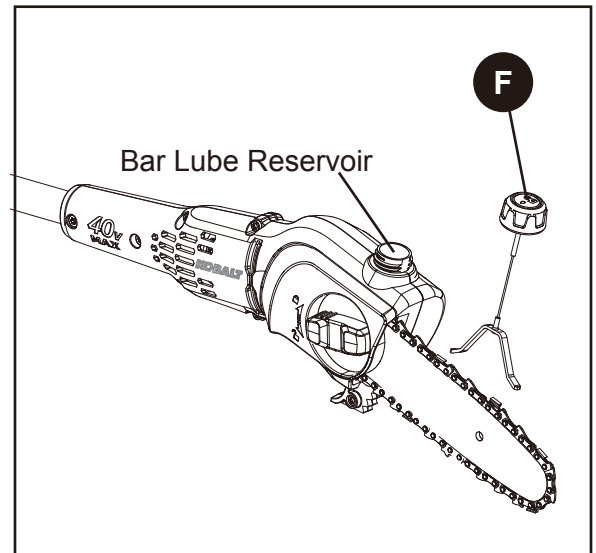
WARNING

To avoid possible serious injury, stop the motor and remove the battery from the pole saw before replacing the bar, chain, or performing any maintenance operation.

- Use Premium Bar and Chain Lubricant. It is designed for chains and chain oilers and is formulated to perform over a wide temperature range with no dilution required.
- Remove the cap and carefully pour into the bar lube reservoir.
- Replace the cap and tighten securely.
- Check and refill the bar lube reservoir every time the pole saw is used.

Note:

- Do not use dirty, used, or otherwise contaminated lubricants. Damage may occur to the oil pump, bar, or chain.



CARE AND MAINTENANCE

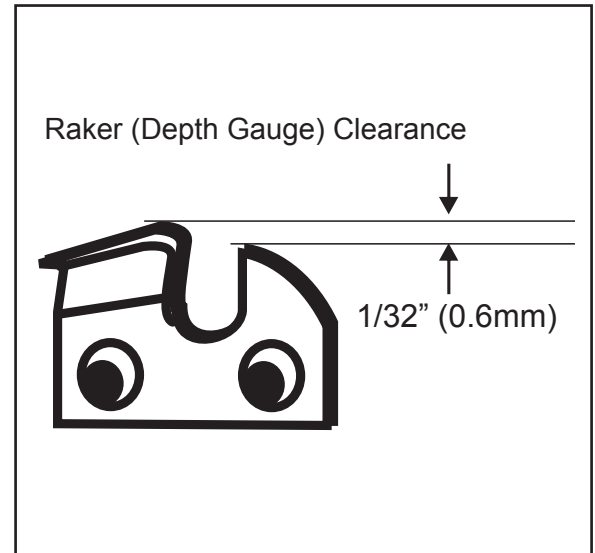
Chain maintenance

For smooth and fast cutting, the chain needs to be maintained properly. The following conditions indicate that the chain requires sharpening:

- Wood chips are small and powdery.
- Chain must be forced through the wood during cutting.
- Chain cuts to one side.

During maintenance of the chain, consider the following:

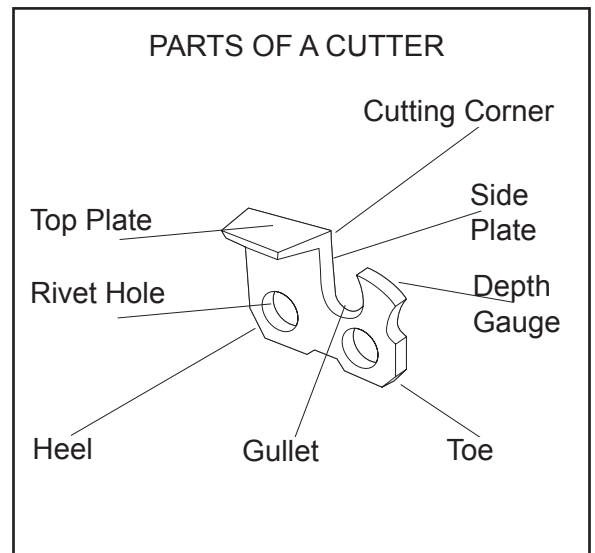
- Improper filing angle of the side plate can increase the risk of a severe kickback.
- Depth gauge (or raker clearance) setting determines the height the cutter enters the wood and the size of the wood chip that is removed. Too much clearance increases the potential for kickback. Too little clearance decreases the size of the wood chip thus decreasing the chain's cutting ability.
- If cutter teeth have hit hard objects such as nails or stones, or have been abraded by mud or sand on the wood, have service dealer sharpen chain.



How to sharpen the cutters

Be careful to file all cutters to the specified angles and to the same length, as fast cutting can be obtained only when all cutters are uniform.

- Tighten the chain tension enough that the chain does not wobble. Do all of your filing at the midpoint of the bar. Wear gloves for protection.
- Use a round file and holder.
- Keep the file level with the top plate of the tooth. Do not let the file dip or rock.



CARE AND MAINTENANCE

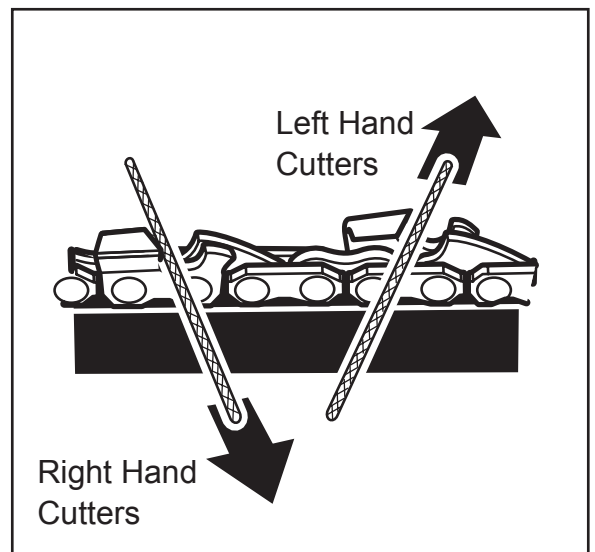
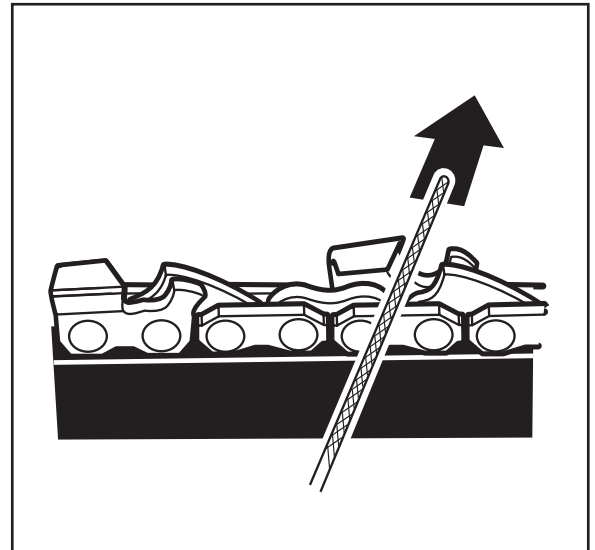
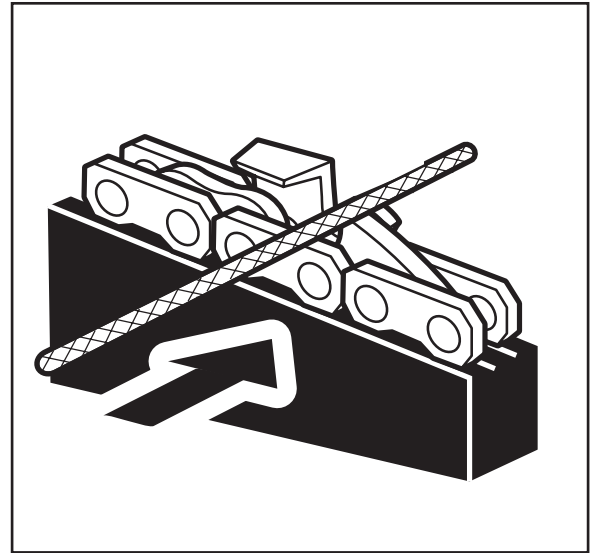
- Using light but firm pressure, stroke towards the front corner of the tooth. Lift file away from the steel on each return stroke.
- Put a few firm strokes on every tooth. File all left hand cutters in one direction. Then move to the other side and file the right hand cutters in the opposite direction. Occasionally remove filings from the file with a wire brush.

CAUTION

Dull or improperly sharpened chain can cause excessive motor speed during cutting which may result in severe motor damage.

WARNING

Improper chain sharpening increases the potential of kickback. Failure to replace or repair damaged chain can cause serious injury.



TROUBLESHOOTING

If you still have questions or an unresolved issue after going through this troubleshooting guide, or just want to speak to a Kobalt product expert, please call our customer service department at 1-888-3KOBALT (1-888-356-2258), 8 a.m. - 8 p.m., EST, Monday – Friday.

PROBLEM	POSSIBLE CAUSE	CORRECTIVE ACTION
Bar and chain running hot and smoking.	<ol style="list-style-type: none">1. Check chain tension for overtightened condition.2. Bar lube reservoir empty.	<ol style="list-style-type: none">1. Tension chain. Refer to Chain Tension earlier in this manual.2. Check bar lube reservoir.
Motor runs, but chain is not rotating.	<ol style="list-style-type: none">1. Chain tension too tight.2. Check guide bar and chain assembly.3. Check guide bar and chain for damage.	<ol style="list-style-type: none">1. Re-tension chain. Refer to Chain Tension earlier in this manual.2. Refer to Replacing the Bar and Chain earlier in this manual.3. Inspect guide bar and chain for damage.

WARRANTY

5-YEAR LIMITED WARRANTY

This 40 V Lithium-Ion pole saw is warranted to the original purchaser from the original purchase date for five (5) years subject to the warranty coverage described herein.

This 40 V Lithium-Ion pole saw is warranted for the original user to be free from defects in material and workmanship.

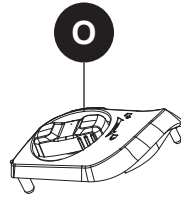
If you believe that the 40 V Lithium-Ion pole saw is defective at any time during the specified warranty period, simply return the 40 V Lithium-Ion pole saw along with proof of purchase to the place of purchase for a free replacement or refund, or call 1-888-3KOBALT (1-888-356-2258) for warranty service.

This warranty is void if: defects in materials or workmanship or damages result from repairs or alterations which have been made or attempted by others or the unauthorized use of nonconforming parts; the damage is due to normal wear, damage is due to abuse (including overloading of the tool beyond capacity), improper maintenance, neglect or accident; or the damage is due to the use of the tool after partial failure or use with improper accessories or unauthorized repair or alteration.

This warranty gives you specific legal rights, and you may also have other rights that vary from state to state.

REPLACEMENT PARTS LIST

For replacement parts, call our customer service department at **1-888-3KOBALT** (1-888-356-2258), 8 a.m. - 8 p.m., EST, Monday - Friday.



PART	DESCRIPTION	PART #
F	Oil Tank Cap	341071071
O	Side Cover	341021071A