

 **REMOTE START**

PUSH BUTTON
ELECTRIC START



WGen7500DF

Dual Fuel Portable Generator

GASOLINE: 7500 Running Watts | 9500 Peak Watts

PROPANE: 6750 Running Watts | 8550 Peak Watts

SAVE THESE INSTRUCTIONS
Important safety instructions are included in this manual.

California

Proposition 65 Warning

The engine exhaust from this product contains chemicals known to the state of California to cause cancer, birth defects or other reproductive harm.

California

Proposition 65 Warning

Certain components in this product and its related accessories contain chemicals known to the state of California to cause cancer, birth defects or other reproductive harm. Wash hands after handling.

DISCLAIMERS:

All information, illustrations and specifications in this manual are based on the latest information available at the time of publishing. The illustrations used in this manual are intended as representative reference views only. Moreover, because of our continuous product improvement policy, we may modify information, illustrations and/or specifications to explain and/or exemplify a product, service or maintenance improvement. We reserve the right to make any change at any time without notice. Some images may vary depending upon which model is shown.

ALL RIGHTS RESERVED:

No part of this publication may be reproduced or used in any form by any means – graphic, electronic or mechanical, including photocopying, recording, taping or information storage and retrieval systems – without the written permission of MWE Investments LLC.

 **DANGER**



This manual contains important instructions for operating this generator. For your safety and the safety of others, be sure to read this manual thoroughly before operating the generator. Failure to properly follow all instructions and precautions can cause you and others to be seriously hurt or killed.

WGen TECHNICAL SPECIFICATIONS

Model Number	Running Watts	Peak Watts	Fuel Tank Size (G)	Rated Speed (RPM)	Ignition Type	Spark plug	Engine Disp (cc)	Stroke X Bore	Oil Capacity (L)	Oil Type
WGen7500DF	Gas: 7500 Propane: 6750	Gas: 9500 Propane: 8550	6.6 Gallons	3600	TCI	F7TC	420cc	66X90	1.1	10W30



HAVE QUESTIONS?

DO NOT RETURN THIS PRODUCT TO THE STORE

Email us at service@wpowereq.com

or call 1-855-944-3571

FOR YOUR RECORDS:

Date of Purchase:	
Generator Model Number:	
Purchased from Store/Dealer:	
Generator Serial Number:	

IMPORTANT: KEEP YOUR PURCHASE RECEIPT TO ENSURE TROUBLE-FREE WARRANTY COVERAGE.



PRODUCT REGISTRATION

To ensure trouble-free warranty coverage, it is important you register your Westinghouse generator. You can register your generator by either:

1. Filling in the product registration form below and mailing to:

Product Registration
 MWE Investments LLC
 777 Manor Park Drive
 Columbus, Ohio 43228

2. Registering your product Online at www.westinghouseportablepower.com/register-your-product/
 To register your generator you will need to locate the following information:

 Westinghouse MWE Investments LLC Columbus Ohio 43228 USA MWE Investments LLC Columbus Ohio 43228 Etats-Unis	Model Modèle Part NO. Numéro de pièce	Power (Rated) Puissance (Nom.)	Insul Class Classe D'isol.	Serial No./No. De Série
	AC Voltage Tension CA	Power (Peak) Puissance (Pointe)	Max Amb Temp Temp. Amb. Max	
AC Current Intensité CA	Frequency Fréquence	Duty Service	CSA Master Contract Number : Numéro de contrat principal de CSA	
		RPM TR/MIN	Designed in Columbus, Ohio USA Conçu à Columbus, Ohio, États-Unis	Made in China/ Fabriqué en Chine

WESTINGHOUSE PRODUCT REGISTRATION FORM

PERSONAL INFORMATION

GENERATOR INFORMATION

First Name: _____ Model Number: _____

Last Name: _____ Serial Number: _____

Street Address: _____ Date Purchased: _____

Street Address: _____ Purchased From: _____

City, State, ZIP: _____

Country: _____

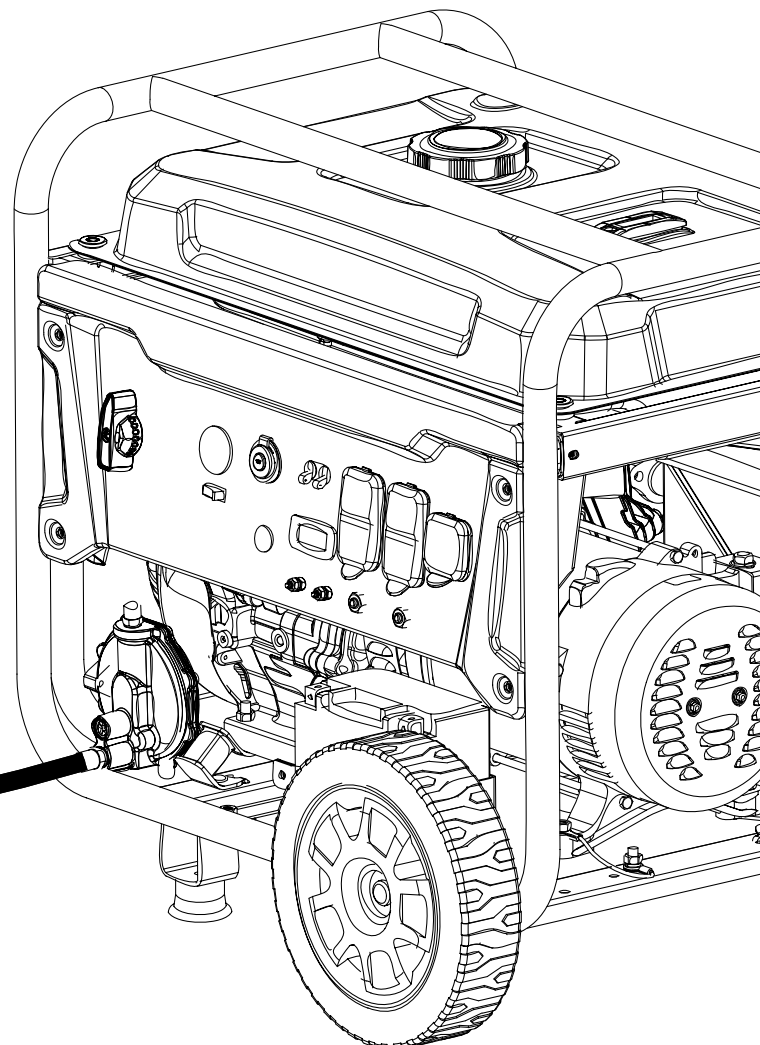
Phone Number: _____

E-Mail: _____



TABLE OF CONTENTS

WGEN7500DF TECHNICAL SPECIFICATIONS	2	MAINTENANCE	22
PRODUCT REGISTRATION	3	Maintenance Schedule	23
For Your Records:	3	Engine Oil Maintenance	24
Product Registration	3	Engine Oil Specification	24
Product Registration Form	3	Checking Engine Oil	24
SAFETY	5	Adding Engine Oil	24
Safety Definitions	5	Changing Engine Oil	25
Safety Symbol Definitions	5	Air Filter Maintenance	25
General Safety Rules	6	Cleaning the Air Filter	25
Safety Labels and Decals	7	Spark Plug Maintenance	26
Fuel Safety	9	Checking and Adjusting Valve Lash	27
UNPACKING	10	Testing GFCI Outlets	27
What Comes in the Box	10	Battery Service	27
Wheel Kit Accessories Box	10	Battery Charger	27
ASSEMBLY	11	Battery Replacement	28
Installing Wheels and Feet	11	Cleaning the Generator	28
Installing the Battery	12	Storage	28
FEATURES	13	TROUBLE SHOOTING	29
Generator Features	13	SCHEMATICS	31
Control Panel Features	15	WGen7500DF Schematic	31
OPERATION	16	EXPLODED AND ENGINE VIEWS	32
Before Starting the Generator	16	WGen7500DF Exploded View	32
Location Selection	16	WGen7500DF Engine View	34
Grounding the Generator	16		
High Altitude Operation/Conversion Kits	16		
Power Cord	17		
Using Extension Cords	17		
Using Westinghouse Power Cord	17		
Transfer Switch Connections	18		
Engine Fluids and Fuel	19		
Adding Gasoline to the Fuel Tank	19		
Connecting the LPG/Propane Tank	19		
Switching Fuel Sources	20		
Starting the Generator	21		
Starting on Gasoline	21		
Starting on Propane	21		
Push Button Start	21		
Stopping the Generator	22		
Normal Operation	22		
During an Emergency	22		



SAFETY

SAFETY DEFINITIONS

The words DANGER, WARNING, CAUTION and NOTICE are used throughout this manual to highlight important information. Be certain that the meanings of these alerts are known to all who work on or near the equipment.



This safety alert symbol appears with most safety statements. It means attention, become alert, your safety is involved! Please read and abide by the message that follows the safety alerts symbol.

DANGER

Indicates a hazardous situation which, if not avoided, *will* result in death or serious injury.

WARNING

Indicates a hazardous situation which, if not avoided, *could* result in death or serious injury.

CAUTION

Indicates a hazardous situation which, if not avoided, *could* result in minor or moderate injury.

NOTICE

Indicates a situation which can cause damage to the generator, personal property and/or the environment, or cause the equipment to operate improperly.

NOTE: Indicates a procedure, practice or condition that should be followed in order for the generator to function in the manner intended.

SAFETY SYMBOL DEFINITIONS

Symbol	Description
	Safety Alert Symbol
	Asphyxiation Hazard
	Burn Hazard
	Burst/Pressure Hazard
	Don't leave tools in the area
	Electrical Shock Hazard
	Explosion Hazard
	Fire Hazard
	Lifting Hazard
	Pinch-Point Hazard
	Read Manufacturer's Instructions
	Read Safety Messages Before Proceeding
	Wear Personal Protective Equipment (PPE)

SAFETY

GENERAL SAFETY RULES

DANGER



Never use the generator in a location that is wet or damp. Never expose the generator to rain, snow, water spray or standing water while in use. Protect the generator from all hazardous weather conditions. Moisture or ice can cause a short circuit or other malfunction in the electrical circuit.



Never operate the generator in an enclosed area. Engine exhaust contains carbon monoxide. Only operate the generator outside and away from windows, doors and vents.

WARNING



Voltage produced by the generator could result in death or serious injury.

- Never operate the generator in rain or a flood plain unless proper precautions are taken to avoid being subject to rain or a flood.
- Never use worn or damaged extension cords.
- Always have a licensed electrician connect the generator to the utility circuit.
- Never touch an operating generator if the generator is wet or if you have wet hands.
- Never operate the generator in highly conductive areas such as around metal decking or steel works.
- Always use grounded extension cords. Always use three-wire or double-insulated power tools.
- Never touch live terminals or bare wires while the generator is operating.
- Be sure the generator is properly grounded before operating.

WARNING



Gasoline, gasoline vapors & liquid petroleum gas (LPG) are extremely flammable and explosive under certain conditions.



- Always refuel the generator outdoors, in a well-ventilated area.
- Never remove the fuel cap with the engine running.
- Never refuel the generator while the engine is running. Always turn engine off and allow the generator to cool before refueling.
- Only fill fuel tank with gasoline.
- Keep sparks, open flames or other form of ignition (such as matches, cigarettes, static electric sources) away when refueling.
- Never overfill the fuel tank. Leave room for fuel to expand. Overfilling the fuel tank can result in a sudden overflow of gasoline and result in spilled gasoline coming in contact with HOT surfaces. Spilled fuel can ignite. If fuel is spilled on the generator, wipe up any spills immediately. Dispose of rag properly. Allow area of spilled fuel to dry before operating the generator.
- Wear eye protection while refueling.
- Never use gasoline as a cleaning agent.
- Store any containers containing gasoline or propane in a well-ventilated area, away from any combustibles or source of ignition.
- Check for fuel leaks after refueling. Never operate the engine if a fuel leak is discovered.

WARNING



Never operate the generator if powered items overheat, electrical output drops, there is sparking, flames or smoke coming from the generator, or if the receptacles are damaged.



Never use the generator to power medical support equipment.



Always remove any tools or other service equipment used during maintenance from the generator before operating.

NOTICE

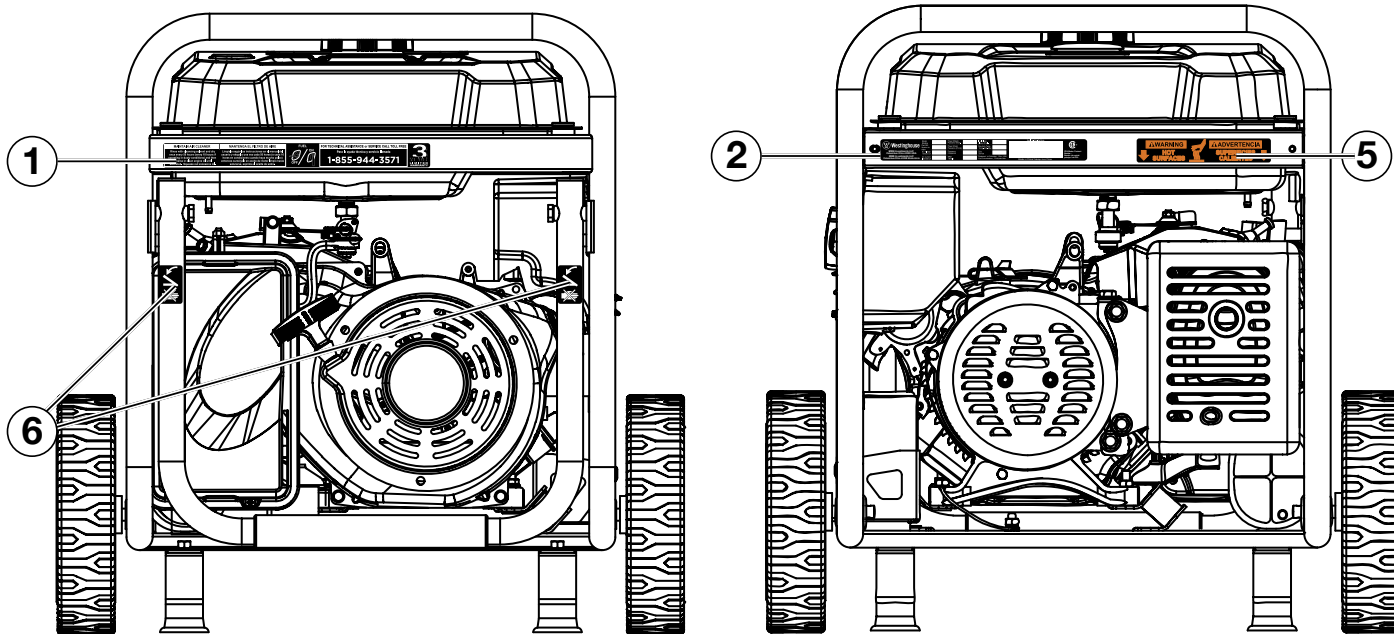
Never modify the generator.

Never operate the generator if it vibrates at high levels, if engine speed changes greatly or if the engine misfires often.

Always disconnect tools or appliances from the generator before starting.

SAFETY

SAFETY LABELS AND DECALS



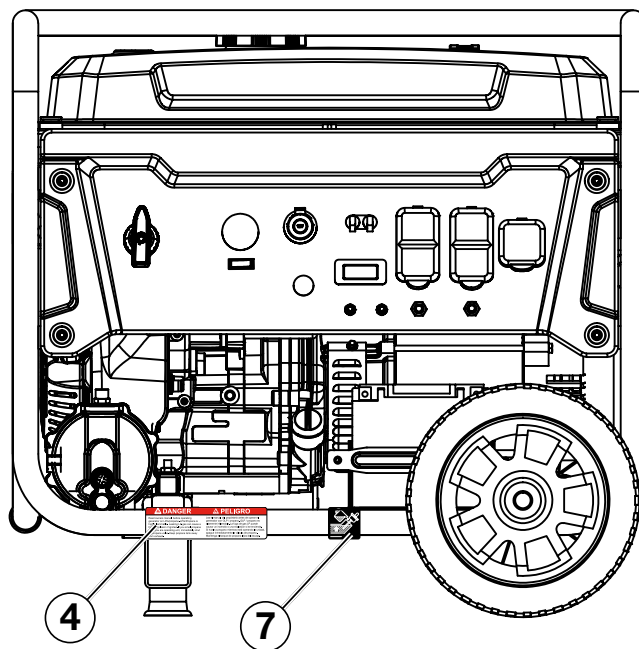
1	MAINTAIN AIR CLEANER	MANTENGA EL FILTRO DE AIRE	FUEL ON OFF	FOR TECHNICAL ASSISTANCE or SERVICE CALL TOLL FREE Para la ayuda técnica y servicio llamada 1-855-944-3571	3 YEAR LIMITED WARRANTY
	Rinse with cleansing solvent and dry once every 50 hours (every 10 hours if operating in dusty conditions) and then immerse in clean engine oil until saturated. Squeeze out excessive oil.	Límpielo según las instrucciones en el manual del usuario y séquelo una vez cada 50 horas (o cada 10 horas en condiciones cuando haya mucho polvo) entonces sumérgalo en aceite de motor limpio hasta saturarse, exprima el aceite de sobra.			

2	Westinghouse MWE Investments LLC Columbus Ohio 43228 USA MWE Investments LLC Columbus Ohio 43220 Etats-Unis	Model Modéle Part No. Numéro de pièce AC Voltage Tension CA AC Current Intensité CA	Power (Rated) Puissance (Nom.) Power (Peak) Puissance (Pointe) Frequency Fréquence RPM TR/MIN	Insul Class Classe D'isol. Max Amb Temp Temp. Amb. Max. Duty Service Designed in Columbus, Ohio USA Conçu à Columbus, Ohio, Etats-Unis	Serial No./No. De Série CSA Master Contract Number : Numéro de contrat principe 1 de CSA	Made in China/ Fabriqué en Chine

4	⚠ DANGER	⚠ PELIGRO
	Read owners manual before operating generator on LPG/propane. LPG/Propane is highly flammable. Leaking LP-gas can cause a fire or explosion if ignited. If you smell propane while you are operating unit, immediately shut off propane valve. Keep propane tank away from exhaust.	Lea el manual del propietario antes de operar el generador con GLP / propano. GLP / propano es altamente inflamable. La fuga de gas LP puede causar un incendio o una explosión si se enciende. Si huele a propano mientras está operando la unidad, apague inmediatamente la válvula de propano. Mantenga el tanque de propano lejos del escape.

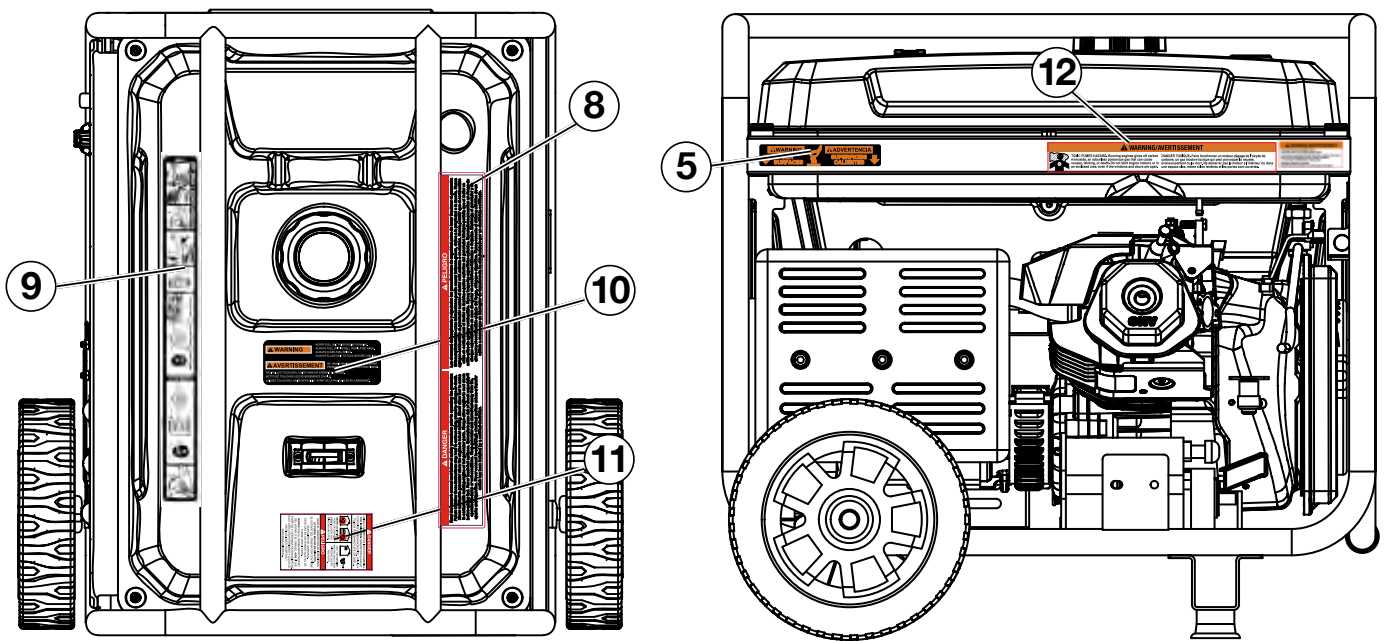
5	⚠ WARNING	⚠ ADVERTENCIA
	HOT SURFACES	SUPERFICIES CALIENTES

6		7	



SAFETY

SAFETY LABELS AND DECALS



8

⚠ DANGER

Read the owner's manual and follow all safety procedures prior to operating the generator. Failure to follow these instructions may lead to serious injury, property damage or death. Never add fuel to generator when the engine is hot or running. Never allow fuel to come in contact with running engine or hot generator parts. Always allow engine to cool down before adding fuel. Never touch hot surfaces. Generators pose risk of shock especially if operated in damp or wet conditions. Keep generator and stored fuel away from fire, sparks and cigarettes. Never connect to a building's electrical system unless a transfer switch has been installed by a certified electrician.

⚠ PELIGRO

Lea el manual del propietario y siga todos los procedimientos de seguridad antes de hacer funcionar el generador. El incumplimiento de estas instrucciones puede causar lesiones graves, daños a la propiedad o la muerte. Nunca agregue combustible al generador cuando el motor está caliente o en marcha. Nunca permitir que el combustible entre en contacto con el motor en marcha o partes calientes del generador. Siempre permita que el motor se enfríe antes de agregar combustible. Nunca toque las superficies calientes. Generadores presentan un riesgo de choque especialmente en caso de operar en condiciones húmedas o mojadas. Mantenga el generador y se almacena el combustible alejado del fuego, chispas o cigarrillos. Nunca conecte al sistema eléctrico de un edificio a menos que un interruptor de transferencia ha sido instalado por un electricista certificado.

9



10

⚠ WARNING NEVER FUEL UNIT WITH ENGINE RUNNING. ALWAYS FUEL UNIT IN WELL VENTILATED AREA. ALWAYS CLEAN FUEL SPILLS. ALWAYS ALLOW UNIT TO COOL BEFORE FUELING.

⚠ AVERTISSEMENT NE JAMAIS RAVITAILLER EN CARBURANT PENDANT QUE LE MOTEUR FONCTIONNE. NETTOYEZ TOUJOURS LES DÉVERSEMENTS D'HUILE. LÂSSEZ TOUJOURS L'UNITÉ REFRIGÉRIR AVANT DE LA RAVITAILLER EN CARBURANT.

11

⚠ DANGER USING A GENERATOR INDOORS CAN KILL YOU IN MINUTES. GENERATOR EXHAUST CONTAINS CARBON MONOXIDE. THIS IS A POISON YOU CANNOT SEE OR SMELL.		⚠ PELIGRO USAR EL GENERADOR EN INTERIORES LO PUEDE MATAR EN MINUTOS. EL ESCAPE DEL GENERADOR CONTIENE MONÓXIDO DE CARBONO. ESTE GAS ES UN VENENO QUE NO SE PUEDE VER NI OLER. NUNCA USE EL GENERADOR DENTRO DEL HOGAR O EL GARAJE, AÚN SI LAS PUERTAS Y VENTANAS ESTÁN ABIERTAS. SOLO ÚSELO EN EXTERIORES Y LEJOS DE VENTILACIONES, PUERTAS Y VENTANAS ABIERTAS.	
<p>NEVER USE INSIDE A HOME OR GARAGE. EVEN IF DOORS AND WINDOWS ARE OPEN.</p>	<p>ONLY USE OUTSIDE AND FAR AWAY FROM WINDOWS, DOORS, AND VENTS.</p>		

12

⚠ WARNING/AVERTISSEMENT

TOXIC FUMES HAZARD. Running engines gives off carbon monoxide, an odorless poisonous gas that can cause nausea, fainting, or death. Do not start engine indoors or in an enclosed area, even if the windows and doors are open.

DANGER TOXIQUE. Faire fonctionner un moteur dégage de l'oxyde de carbone, un gaz inodore toxique qui peut provoquer la nausée, évanouissement ou la mort. Ne démarrer pas le moteur à l'intérieur ou dans une espace clos, même si les fenêtres et les portes sont ouvertes.

⚠ WARNING/AVERTISSEMENT

FOR ELECTRICAL EQUIPMENT ONLY. POUR MATÉRIEL ÉLECTRIQUE SEULEMENT. FOR USE IN A WEATHER PROTECTED WELL VENTILATED AREA. EMPLOYEZ OUVREMENT DANS UN EMPLACEMENT À L'ABRI DES INTÉMPÉRIES ET BIEN AÉRÉ. NEUTRAL BOND TO FRAME. NEUTRE LIG. À LA RAMPE À LA CARCASSE DU MOTEUR.

SAFETY

FUEL SAFETY

DANGER



Gasoline and liquid petroleum gas (LPG) are highly explosive and flammable. Explosions and fire can cause severe burns or death.

Gasoline and gasoline vapor (Gas)

- Gasoline is highly flammable and explosive.
- Gas expands and contracts with different temperatures.
- In case of a gas fire, do not attempt to extinguish the flame if the fuel shutoff valve is in the on position. Introducing an extinguisher to a generator with an open fuel valve could create an explosion hazard.
- Gas has a distinctive odor, this will help detect potential leaks quickly.
- Gas vapors can cause a fire if ignited.
- Gasoline is a skin irritant and needs to be cleaned up immediately if it comes in contact with the skin.

Liquid Petroleum Gas (Propane/LPG)

- LPG/Propane is highly flammable and explosive.
- Flammable gas under pressure can cause a fire or explosion if ignited.
- LPG/Propane can settle in low places because it is heavier than air.
- LPG/Propane has a distinctive odor added to help detect potential leaks.
- Always keep LPG/Propane tank in an upright position.
- When exchanging LPG/Propane tanks, be sure the tank valve is the same type.
- In case of a LPG/Propane fire, do not attempt to extinguish unless the fuel supply can be shut off.
- LPG/Propane will burn the skin. Prevent skin contact at all times.

WARNING



Never use a gas container, LPG connector hose, LPG tank or any other fuel item that appears to be damaged.

When starting generator:

- Make sure that the gas cap, air filter, spark plug, fuel lines and exhaust system are properly in place.
- If you spill any gasoline on the tank, allow it to fully evaporate before operating.
- Make sure the generator and propane tank are on a flat surface before operating.
- If there is a propane odor do not start the unit because there may be a potential leak.
- Never place propane tank near engine exhaust.

When transporting or servicing the generator:

- Make certain the fuel shutoff valve is off and the fuel tank is empty.
- Make sure the LPG tank and LPG hose is not attached to the generator.
- Disconnect the spark plug wire.

When storing the generator:

- Store away from sparks, open flames, pilot lights, heat and other sources of ignition.
- Do not store gas or LPG tank near furnaces, water heaters or any other appliances that produce heat or have automatic ignitions.

CAUTION



Only use approved LPG tanks with OPD (overfilling prevention device) valve. Always keep the tank in a vertical position with the valve on top and installed at ground level on a flat surface. Do not allow tanks to be around any heat source and make sure it is not exposed to the sun, rain and dust. When transporting and storing, turn off the tank valve and fuel valve, and disconnect the tank. Make sure to always cover the generator and tank outlet with protective plastic caps.

CAUTION





Do not allow children to tamper or play with the propane tank or hose connections.

WARNING



If there is a strong smell of propane while operating the generator close the valve on the propane tank immediately. Once the propane is off, use soapy water to check for leaks on the hose and connections on the tank valve and the generator. Do not smoke or light a cigarette or check for leaks using any open flame source such as a match or lighter. If a leak is found contact a qualified technician to inspect and repair the LPG system before using the generator.

UNPACKING

⚠ CAUTION	
	Always have assistance when lifting the generator. The generator is heavy; lifting it could cause bodily harm.
	Avoid cutting on or near staples to prevent personal injury.

Tools required – box cutter or similar device.

1. Carefully cut the packing tape on top of the carton.
2. Fold back top flaps to reveal the manual.
3. Remove the Wheel Kit Accessories cardboard box.
4. Carefully cut two sides of the carton to remove the generator.

WHAT COMES IN THE BOX

- Manual
- Quick Start Guide/Maintenance Schedule
- LPG Hose (1)
- Wireless Remote Starter (1)
- 1.1 Liter Bottle of SAE 10W30 Oil (1)
- Spark Plug Socket Wrench (1)
- Wheel Kit Accessories Box
- Battery Charger (1)
- Funnel (1)

WHEEL KIT ACCESSORIES BOX

Open the Wheel Kit Accessories box and verify the contents against the list right. If any parts are missing, contact our service team at service@wpowerreq.com or call 1-855-944-3571.

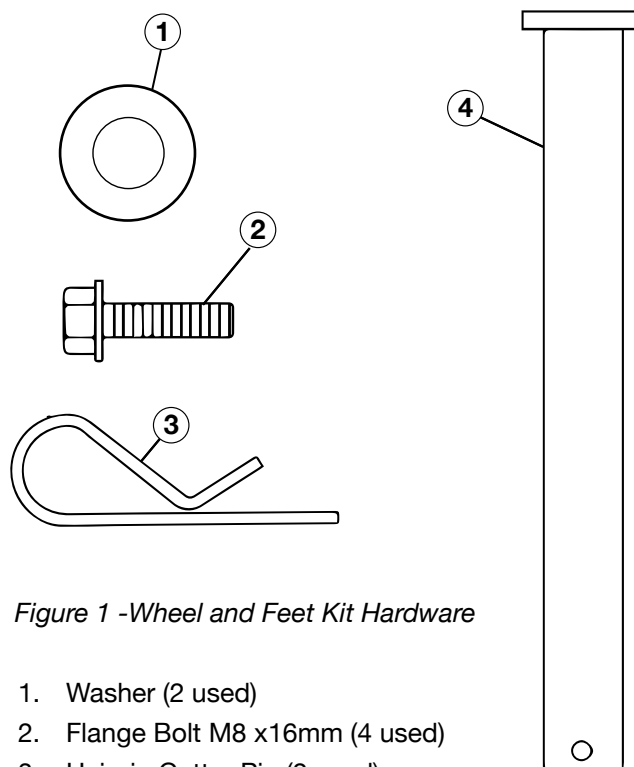


Figure 1 -Wheel and Feet Kit Hardware

1. Washer (2 used)
2. Flange Bolt M8 x16mm (4 used)
3. Hairpin Cotter Pin (2 used)
4. Wheel Axle Pin (2)



ASSEMBLY

INSTALLING WHEELS AND FEET



BEFORE ASSEMBLING THE GENERATOR, REVIEW THE SAFETY SECTION STARTING ON PAGE 5.

⚠ CAUTION



Never lift the generator without assistance. The generator is heavy and lifting without assistance could result in personal injury.



Never use the handles as a lifting point to support the entire weight of the generator. Only use the handles to move the generator by lifting the handles and using the wheels to move the generator.



Use caution when collapsing the handles. Hands and fingers could get caught and pinched.

NOTICE

Assembling the generator will require lifting the unit on one side. Make sure all engine oil and fuel are drained from the unit prior to assembling. Once assembled, the wheel kit is not intended for on-road use. The wheel kit is designed for use on this generator only.

INSTALLING FEET TO FRAME

1. Place generator on a flat surface.
2. Place a piece of cardboard or other soft material to tip the generator onto, to protect the frame paint and prevent the generator from sliding. Tip the generator onto the side.
3. Install the mounting foot to the frame using M8 flange bolts.

- 1 - Mounting Feet
- 2 - Flange Bolts M8

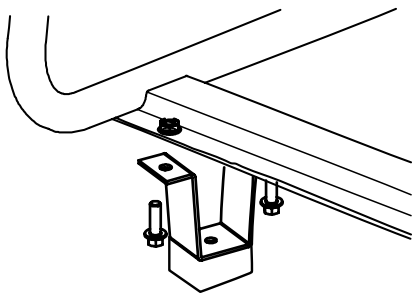


Figure 1 - Assemble Mounting Feet to Frame

INSTALLING WHEELS TO FRAME

1. Insert axle pin through washer and wheel.

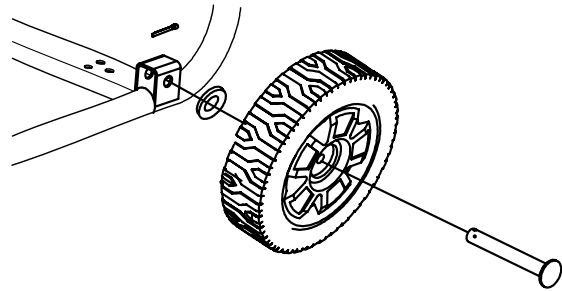


Figure 2 -Wheel Assembly

2. Install the wheel with axle pin through the axle bracket on the frame. The eye of the bolt should be facing toward the inside of the generator.

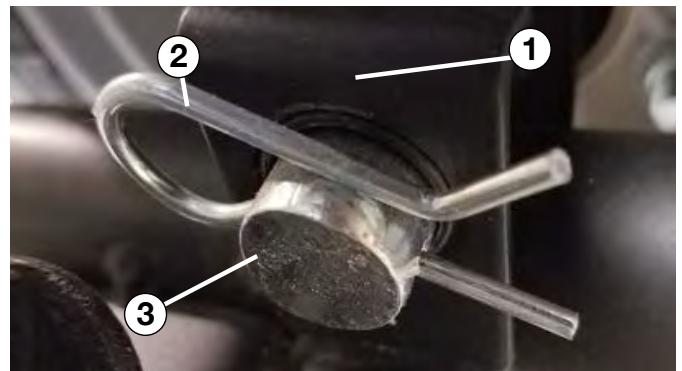


Figure 3 - Assemble Wheel to Frame

3. Install the hairpin cotter through the axle pin to lock it in place.
 - 1 - Axle Bracket
 - 2 - Hairpin Clip
 - 3 - Axle Pin
4. Repeat previous steps on other wheel.

ASSEMBLY

INSTALLING THE BATTERY

WARNING



To avoid electric shock:

- ALWAYS connect the positive (+) battery cable (red boot) first when connecting battery cables.
- ALWAYS disconnect the negative (-) battery cable (black boot) first when disconnecting battery cables.
- NEVER connect the negative (-) battery cable (black boot) to the positive (+) post on the battery.
- NEVER connect the positive (+) battery cable (red boot) to the negative (-) post on the battery.
- NEVER touch both battery posts simultaneously.
- NEVER place a metal tool across both battery posts.
- ALWAYS use insulated or nonconducting tools when installing the battery.

1. Secure the positive (+) battery cable (red boot) tightly to the positive (+) battery post. Make sure boot is over battery post.
2. Carefully remove the protective wrapping around the lug of the negative (-) battery cable (black boot).
3. Locate negative (-) cable attached to alternator cable, remove tie and route to the negative (-) battery post. See figure 4 below for location of negative (-) cable.



Figure 4 - (1) Negative Cable

4. Pull back the black boot and securely attach the negative (-) battery cable (black boot) to the negative (-) battery post as shown in Figure 5. Replace the black boot so it protects the cable lug and battery post.



Figure 5 - Attaching the Negative (-) Battery Wire (black)

- 1 - Positive (+) Battery Cable (Red)
- 2- Negative (-) Battery Cable (Black)

NOTICE

The electric start generator is equipped with a battery charging feature. Once the engine is running, a small charge is supplied to the battery via the battery cables and will slowly recharge the battery.

NOTICE

Even if you do not plan on using the electric start feature you will still need to install the battery (even if it is dead) to complete the circuit in order for the automatic choke mechanism to work properly. Pull cord starting will not work without the battery being installed.

FEATURES



- ① **Fuel Selector Switch:** Used to select and turn on gasoline or propane fuel source.
- ② **Push Button Electric Start:** Starts and stops the engine.
- ③ **Engine Control Switch/Battery Disconnect:** Allows fuel to flow to engine and energizes the ignition system. Also, disconnects battery power when in **STOP** position.
- ④ **Fuel Cap:** Close until clicking sound is heard.
- ⑤ **Control Panel:** Contains the circuit breakers and outlets.
- ⑥ **Battery:** Included for electric start models.
- ⑦ **Oil Fill Plug/Dipstick:** Must be removed to add and check oil.
- ⑧ **Oil Drain Plug:** Must be removed to drain engine oil.
- ⑨ **Propane Hook Up:** Hook up your propane tank with the LPG hose provided to this inlet.
- ⑩ **Never Flat Wheels:** For easy portability
- ⑪ **Auto Choke:** Battery must be hooked up for auto choke to work properly.
- ⑫ **Gas Fuel Shut Off Valve:** Controls the flow of gas to the engine.
- ⑬ **Single Piece Handle:** Includes rubber grip. Allows you to easily push or pull unit with one hand.

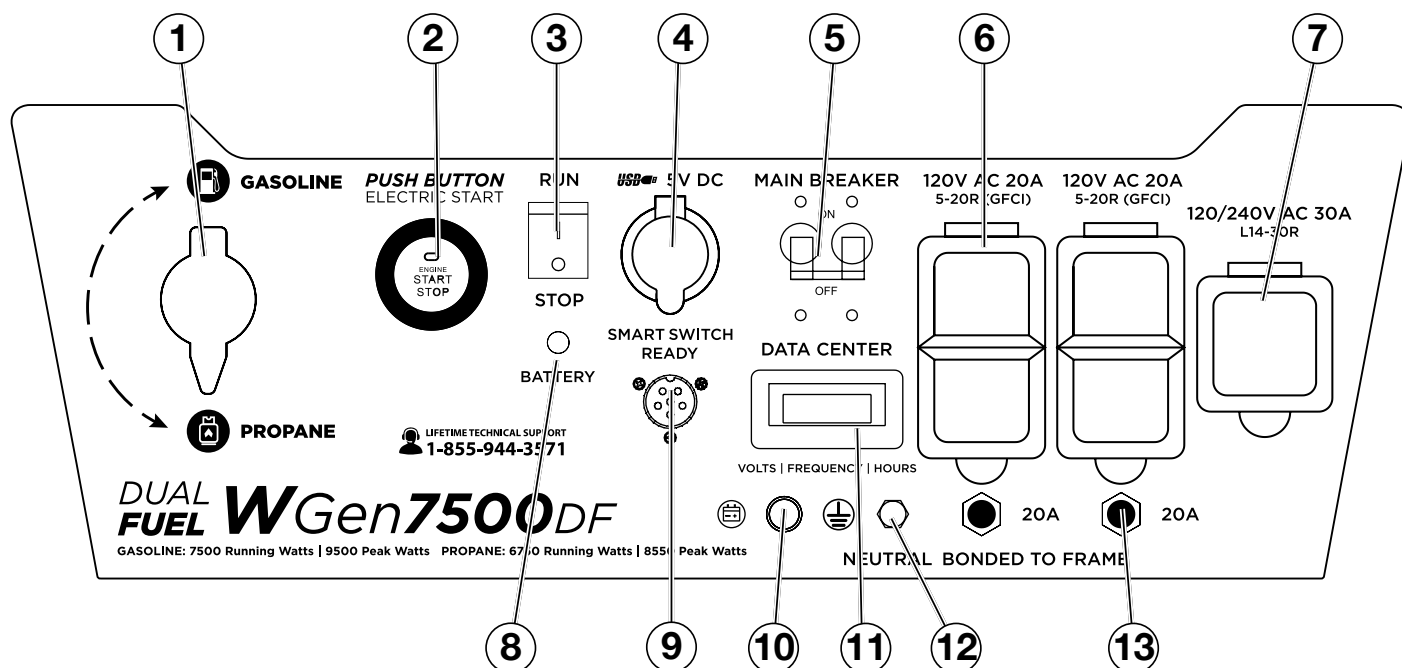
FEATURES



- ① **Fuel Gauge:** Indicates gas level.
- ② **Spark Plug Boot (Wire):** Must be removed when servicing the engine or the spark plug.
- ③ **CARB Canister:** Required for models sold into and used in California.
- ④ **Muffler and Spark Arrester:** Avoid contact until engine is cooled down. Spark arrester prevents sparks from exiting the muffler. It must be removed for servicing.

FEATURES

CONTROL PANEL FEATURES



- ① **Fuel Selector Switch:** Select and turn on gas or propane.
- ② **Push Start Button:**
 - Push for 1 second to automatically start the engine. Green light shows when unit is on.
 - Push again to stop the engine.
- ③ **Engine Control Switch/Battery Disconnect:** Switch to **STOP** to stop the engine. When in **STOP** position it prevents the unit from drawing power from the battery. Switch to **RUN** before starting engine.
- ④ **5V USB Ports:** 5V DC that come in 1 amp and 2.1 amps.
- ⑤ **Main Circuit Breaker:** The main circuit breaker controls total output of all outlets to protect the generator.
- ⑥ **120-Volt, 20-Amp Duplex GFCI Outlets (NEMA 5-20R):** Each outlet is capable of carrying a maximum of 20 amps on a single receptacle or a combination of both receptacles.
- ⑦ **120/240-Volt, 30-Amp Twist Lock Outlet (NEMA L14-30R):** Outlet can supply either 120V or 240V output.
- ⑧ **Battery Indicator Light:** When light is illuminated, the battery is connected.
- ⑨ **Smart Switch Outlet:** Connects the Westinghouse ST Switch (sold separately) to the control panel.
- ⑩ **Battery Charge Port:** Used to charge the battery when the unit is off (battery charger included).
- ⑪ **Data Center:** Displays how many hours the generator has been run when under load.
- ⑫ **Ground Terminal:** The ground terminal is used to ground the generator.
- ⑬ **20-Amp Circuit Breakers:** Each circuit breaker limits the current that can be delivered through the 120-volt duplex outlets to 20amps.

OPERATION

BEFORE STARTING THE GENERATOR



BEFORE STARTING THE GENERATOR, REVIEW SAFETY SECTION STARTING ON PAGE 5.

Location Selection – Before starting the generator, avoid exhaust and location hazards by verifying:

- You have selected a location to operate the generator that is outdoors and well ventilated.
- You have selected a location with a level and solid surface on which to place the generator.
- You have selected a location that is at least 6 feet (1.8 m) away from any building, other equipment or combustible material.
- If the generator is located close to a building, make sure it is not located near any windows, doors and/or vents.

⚠ DANGER	
<p>Using a generator indoors CAN KILL YOU IN MINUTES. Generator exhaust contains carbon monoxide. This is a poison you cannot see or smell.</p>	
<p>NEVER use inside a home or garage, EVEN IF doors and windows are open.</p>	<p>Only use OUTSIDE and far away from windows, doors, and vents.</p>
<p>Avoid other generator hazards. READ MANUAL BEFORE USE.</p>	

⚠ WARNING	
	<p>Always operate the generator on a level surface. Placing the generator on non level surfaces can cause the generator to tip over, causing fuel and oil to spill. Spilled fuel can ignite if it comes in contact with an ignition source such as a very hot surface.</p>
	<p>Do not operate a device plugged into the USB ports. Prolonged exposure to engine exhaust can cause serious injury or death. While charging a device do not place on the exhaust side of the generator. Extreme heat caused by exhaust can damage the device, and cause a potential fire hazard.</p>

NOTICE	
<p>Only operate the generator on a solid, level surface. Operating the generator on a surface with loose material such as sand or grass clippings can cause debris to be ingested by the generator that could:</p> <ul style="list-style-type: none"> • Block cooling vents • Block air intake system 	

Weather – Never operate your generator outdoors during rain, snow or any combination of weather conditions that could lead to moisture collecting on, in or around the generator.

Dry Surface – Always operate the generator on a dry surface free of any moisture.

No Connected Loads – Make sure the generator has no connected loads before starting it. To ensure there are no connected loads, unplug any electrical extension cords that are plugged into the control panel receptacles.

NOTICE
<p>Starting the generator with loads already applied to it could result in damage to any appliance being powered off the generator during the brief start-up period.</p>

Grounding the Generator – The National Electric Code (NEC), as well as many local electrical codes, may require the generator to be connected to earth ground. The most common application that requires a ground rod is when you are using the generator as a separately derived system to provide back up power to your house. Typically this is when a transfer switch has a switched neutral.

As the generator application has many variables that cannot be determined by the manufacturer of the generator, a licensed electrician will need to determine if a grounding rod is needed.

If a licensed electrician has determined the application requires a ground rod, make sure it is connected to earth ground by connecting the ground terminal on the control panel to earth ground using copper wire (minimum 10 AWG). Consult a qualified electrician for local grounding requirements.

Neutral Bonded: There is a permanent conduct between the generator (stator winding) and the frame.

⚠ WARNING	
	<p>Be sure the generator is properly connected to earth ground before operating. The generator must be grounded to prevent electrical shock due to faulty appliances.</p>

High Altitude Operation

Engine power is reduced the higher you operate above sea level. Output will be reduced approximately 3.5% for every 1000ft of increased altitude from sea level. This is a natural occurrence and cannot be adjusted by engine. Increased exhaust emissions can also result due to increased fuel mixture. Other issues include hard starting, increased fuel consumption and spark plug fouling. Contact our service team **1-855-944-3571** for altitude part kits.

High Altitude Carburetor Kit Part Number: 140546

High Altitude DF Regulator Part Number: 140547

Note: You must purchase the Dual Fuel Regulator along with carburetor kit on the WGen7500DF

OPERATION

POWERCORD

Using Extension Cords

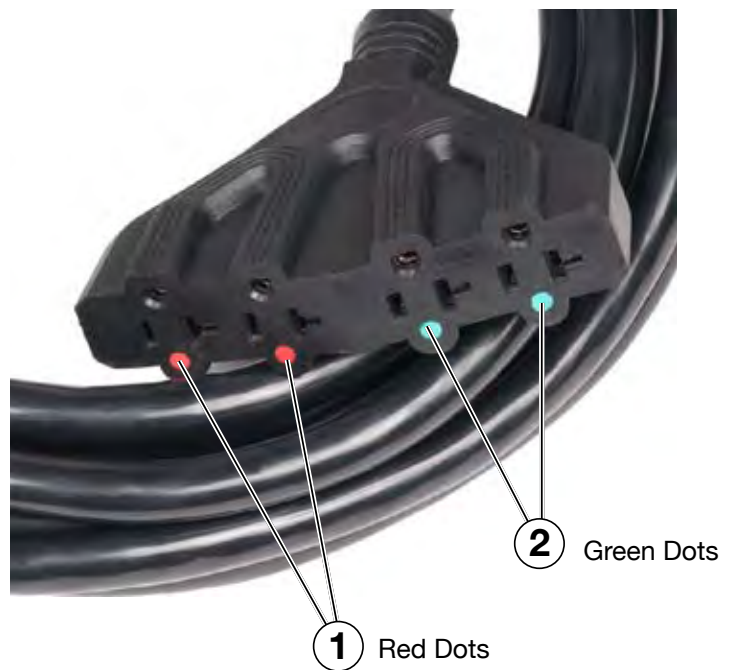
Westinghouse Portable Power assumes no responsibility for the content within this table. The use of this table is the responsibility of the user only. This table is intended for reference only. The results produced by using this table are not guaranteed to be correct or applicable in all situations as the type and construction of cords are highly variable. Always check with local regulations and a licensed electrician prior to installing or connecting an electrical appliance

AMPS	Extension Cord Wire Gauge Size								
	LENGTH OF EXTENSION CORD (ft)								
	10	20	30	40	50	60	80	100	120
5	20	18	16	14	12	12	10	10	8
10	18	16	14	12	12	10	10	8	8
15	16	14	12	12	10	10	8	8	6
20	14	12	12	10	10	8	8	6	6
25	12	12	10	10	8	8	6	6	6
30	12	10	10	8	8	6	6	6	6
35	10	10	8	8	6	6	6	6	6

Using Westinghouse Power Cord

Use the extension cord chart to determine the size of the conductor for extension cord applications. Determine the distance of the generator to the appliance on the top line of the chart. Then select the rated amperage of the generator on the left side of the chart. Where the two meet is the size of the conductor required for the application.

The WCG25 power cord is connected to the generator at the 120/240 plug. The opposite end of the power cord is a fan tail receptacle with 2 green receptacles and 2 red receptacles. Each receptacle is rated at 120 volts AC. To balance the load on the generator's alternator, use the red and green identifiers on the fan tail receptacle. To keep the load balanced, connect the loads so that both color receptacles are used. An example is one in red and one in green. Do not connect 2 in red and none in green, or 2 in green and none in red. If only one color receptacle is used with multiple loads, the alternator may experience an unbalanced load, causing undue vibration to generator.



- WCG25 Extension Cord

OPERATION

TRANSFER SWITCH CONNECTIONS

The Westinghouse generator is wired with the neutral bonded to ground. If you are connecting your generator to a panel board transfer switch, a licensed electrician will need to consider removing the bonded neutral to ensure proper operation of household GFCI circuits. This is done by removing the jumper wire that connects the alternator ground to the alternator neutral.

If the bonded neutral is removed the generator must be relabeled as floating neutral on the control panel.

If your generator is equipped with GFCI receptacles, removing the bonded neutral may not allow proper operation of the GFCI receptacles. Keep the jumper wire with the owner's manual in case it is needed for future use when not connected to a transfer switch.

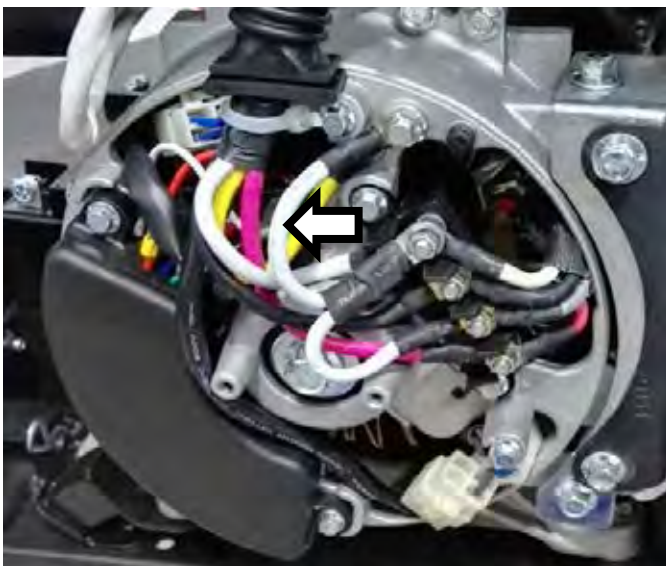


Figure 6

ADDING / CHECKING ENGINE FLUIDS AND FUEL



BEFORE ADDING/CHECKING ENGINE FLUIDS AND FUEL, REVIEW SAFETY SECTION STARTING ON PAGE 5.

DANGER



Filling the fuel tank with gasoline while the generator is running can cause gasoline to leak and come in contact with hot surfaces that can ignite the gasoline.

Before starting the generator, always check:

- Level of Engine oil
- Level of gasoline in the fuel tank
- Secured connection to an undamaged LPG tank

It is not safe to add gasoline to the fuel tank or engine oil to the engine while the engine is running or the engine and muffler are hot.

CHECKING AND / OR ADDING ENGINE OIL

WARNING



Internal pressure can build in the engine crankcase while the engine is running. Removing the oil fill plug/ dipstick while the engine is hot can cause extremely hot oil to spray out of the crankcase and can severely burn skin. Allow engine oil to cool for several minutes before removing the oil fill plug/ dipstick.

The unit as shipped does not contain oil in the engine. You must add engine oil before starting the generator for the first time. See *Checking Engine Oil* and *Adding Engine Oil* on page 24 for instructions on checking engine oil level and the procedure for adding engine oil.

NOTICE

The engine does not contain engine oil as shipped. Attempting to start the engine can damage engine components. The owner of the generator is responsible to ensure the proper oil level is maintained during the operation of the generator. Failure to maintain the proper oil level can result in engine damage.

NOTICE

During the first five hours of operating the generator make sure to not exceed 50% of the rated running watts until the unit is broken in properly. Make sure to vary to load occasionally to allow stator windings to heat and cool. Adjusting the load will also help seat piston rings. Check oil more often during the first couple times of operating the generator.

NOTICE

Weather will affect engine oil performance. Change the type of engine oil used based on weather conditions to suit the engine needs.

OPERATION

ADDING GASOLINE TO THE FUEL TANK BEFORE ADDING GAS TO THE TANK PLEASE REVIEW FUEL SAFETY SECTION ON PAGE 9



⚠ WARNING



Never refuel the generator while the engine is running.



Always turn the engine off and allow the generator to cool before refueling.

Required Gasoline – Only use gasoline that meets the following requirements:

- Unleaded gasoline only
- Gasoline with maximum 10% ethanol added
- Gasoline with an 87 octane rating or higher

Filling the Fuel Tank – Follow the steps below to fill the fuel tank:

1. Shut off the generator.
2. Allow the generator to cool down so all surface areas of the muffler and engine are cool to the touch.
3. Move the generator to a flat surface.
4. Clean area around the fuel cap.
5. Remove the fuel cap by rotating counterclockwise.
6. Slowly add gasoline into the fuel tank. Be very careful not to overfill the tank. The gasoline level should NOT be higher than the filler neck (see Figure 7).
7. Install the fuel cap by rotating clockwise until you hear a click, indicating the cap is completely installed.



Figure 7 - Maximum Gasoline Fill Level

⚠ CAUTION



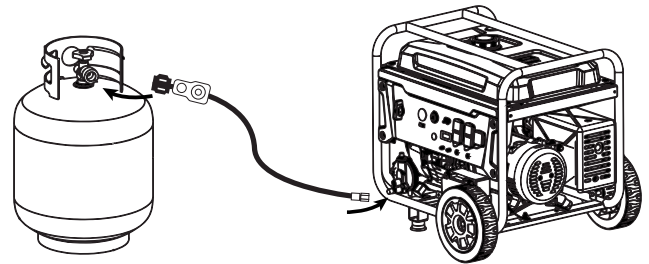
Avoid prolonged breathing of gasoline vapors.

CONNECTING THE LPG/PROPANE TANK BEFORE CONNECTING PROPANE TANK TO THE GENERATOR PLEASE REVIEW FUEL SAFETY SECTION ON PAGE 9



Connecting LPG Tank

1. Make sure the generator is off, on a flat surface in well ventilated area.
2. Make sure propane tank valve is in the off position.
3. Make sure the fuel selector switch on the generator control panel is pointing downward to “Propane”.
4. Remove the plastic cover on the generator propane inlet valve.
5. Using your fingers tighten the LPG hose (included) end below to the generator propane inlet. DO NOT OVER-TIGHTEN 35-88 lb-in maximum.



6. Attach the other end of the hose to a tank of LPG/Propane and hand tighten.
7. Check all connections for leaks by wetting the fittings with soapy water. Anywhere that bubbles appear or grow indicates a leak in the connection. If a leak exists at a fitting then turn off the tank valve and tighten the fitting. Turn the gas back on and recheck with soapy water again. If the leak continues or if the leak is not at a fitting then do not use the generator and contact customer service.

NOTICE

- Use only standard 20 or 30 pound capacity LPG tanks with Type 1, right hand Acme threads.
- Verify the requalification date on the tank has not expired.
- All new tanks must be purged of air and moisture prior to filling. Used tanks that have not been plugged or kept closed must also be purged
- The purging process should be done by a LPG supplier. (Tanks from an exchange supplier should have been purged and filled properly already)
- Always position the tank so the connection between the valve and the gas inlet won't cause sharp bends or kinks in the hose.

⚠ WARNING



Do not start generator if you smell propane. This may result in explosion hazard. Do not use provided LPG hose for any other appliances. Always turn off the propane tank and disconnect LPG hose when not in use.

OPERATION

BEFORE STARTING THE GENERATOR



BEFORE STARTING THE GENERATOR, REVIEW SAFETY SECTION STARTING ON PAGE 5.

Before attempting to start the generator, verify the following:

- The engine is filled with engine oil. See *Checking Engine Oil* on page 24.
- The generator is situated in a proper location (Location Selection on page 16).
- The generator is on a dry surface (*Weather and Dry Surface* on page 16).
- All loads are disconnected from the generator (*No Connected Loads* on page 16).
- The generator is properly grounded the Generator (page 16).
- Propane connection is secure with no leaks or damage. See *Connecting LPG Tank* on page 19.

DANGER



Never use the generator in a location that is wet or damp. Never expose the generator to rain, snow, water spray or standing water while in use. Protect the generator from all hazardous weather conditions. Moisture or ice can cause a short circuit or other malfunction in the electrical circuit.



Never operate the generator in an enclosed area. Engine exhaust contains carbon monoxide. Only operate the generator outside and away from windows, doors and vents.

NOTICE

The engine is equipped with a low oil shutdown switch. If the oil level becomes low, the engine may shut down and not start until the oil is filled to the proper level. Poor oil quality may interfere with the operation of the low oil shutdown switch.

The owner of the generator is responsible to ensure the proper oil level is maintained during the operation of the generator. Failure to maintain the proper oil level can result in engine damage.

NOTICE

When operating on LPG it is common for frost to form on the tank and regulators. This is not an indication of a problem. The amount of frost that forms can be affected by the size of the container, the amount of fuel being used, the humidity of the air and other operating conditions. In standard use this frost may reduce flow of gas and lower performance. If frost becomes an issue try exchanging fuel tanks to allow the first tank to warm up. You can also temporarily warm the tank up by pouring warm water over the top of the propane tank.

SWITCHING FUEL SOURCES



BEFORE ADDING GAS TO THE TANK PLEASE REVIEW FUEL SAFETY SECTION ON PAGE 9

The below assumes that the propane fuel line is already attached to the generator securely.

Switching from gasoline to propane:

1. With the engine running, turn the gasoline fuel shut off valve to OFF.
2. The engine will stop running when the gasoline in the carburetor has been consumed.
3. Turn the fuel selector knob to propane.
4. Open the propane fuel tank valve.
5. Start the engine. (The engine may take a few seconds to start until the propane has reached the carburetor from the propane fuel tank.)

Switching from propane to gasoline:

1. With the engine running, close the propane fuel tank valve.
2. The engine will stop running when the propane in the carburetor has been consumed.
3. Turn the fuel selector knob to gasoline.
4. Turn the gasoline fuel valve to ON.
5. Start the engine. (The engine may take a few seconds to start until the gasoline has filled the carburetor bowl from the gasoline fuel tank.)

NOTICE

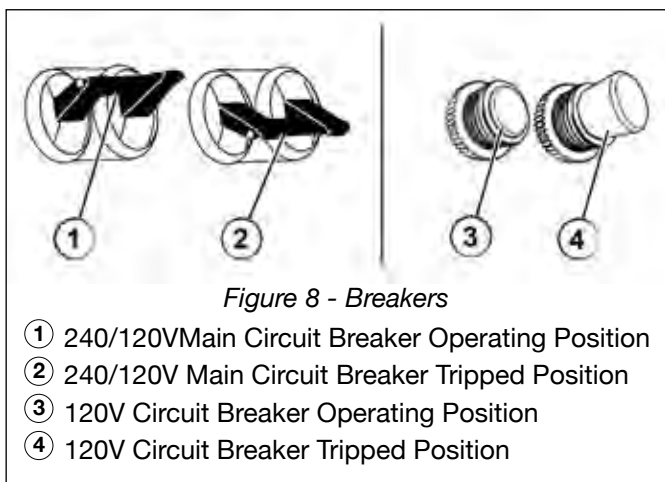
To prevent engine damage do not turn the fuel selector knob while the unit is running without purging the leftover fuel (propane/gas) from the carburetor.

If the remaining fuel in the carburetor was not purged before stopping the unit in the last operation, make sure to start the generator on the same fuel source that was previously used to prevent engine sputtering.

OPERATION

STARTING THE GENERATOR

1. Move generator to a flat surface outside in a well ventilated area.
2. Check oil levels (see *Adding Engine Oil* page 24).
3. Verify the battery is installed and both battery cables are attached to their corresponding polarity. See *Installing the Battery* on page 12 (Battery must be connected for recoil start to work).
4. Disconnect all electrical loads from the generator.
5. Make sure the circuit breakers are properly set (see Figure 8 below).



4. Select fuel source for start up:

FOR GASOLINE:

- a. Move the fuel shut off valve to the **ON** position (see Figure 9).
- b. Turn fuel selector knob to **GASOLINE** (see Figure 9).

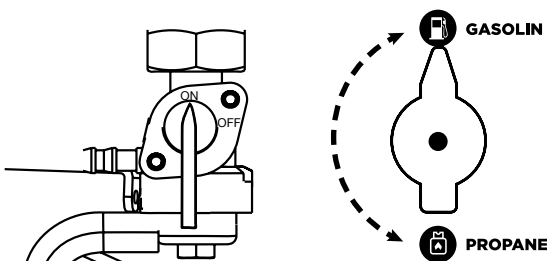


Figure 9 - Fuel Shut Off - ON
Fuel Selector - GASOLINE

FOR LPG/PROPANE:

- a. Make sure the LPG hose is safely secured from the generator to the tank (see *Connecting the LPG Tank* on page 19).
- b. Turn the fuel selector knob to **PROPANE** (see Figure 10).
- c. Fully open the valve on the propane tank.

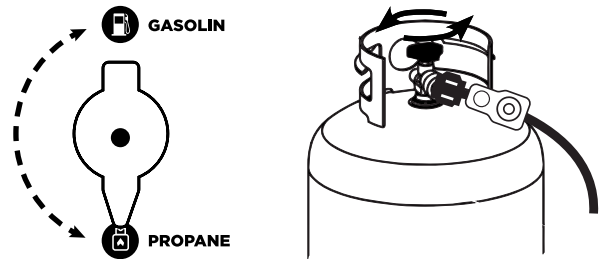


Figure 10 - Fuel Selector - PROPANE
Propane Tank Valve - OPEN

5. Switch the engine switch to **RUN** (see Figure 11).

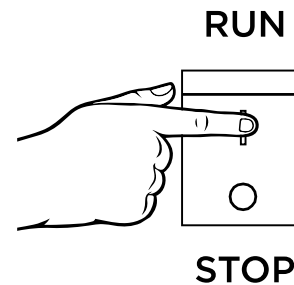


Figure 11 - Engine Switch - RUN

6. Choose starting method:
 - a. Recoil Start: Firmly grasp and pull the recoil handle slowly until you feel increased resistance. At this point, apply a rapid pull while pulling up and slightly away from the generator.
 - b. Remote Start: Click **START** on the wireless key FOB provided.
 - c. Push Button Start: Push and hold the engine start push button for 1 second and release.
 - The engine will automatically set the choke and begin the start sequence.
 - If the engine has started successfully the light indicator on the engine start button will turn green.
 - If the engine fails to start, the generator controls will attempt to start the engine two more times for a total of three attempts.
 - If the third attempt fails, the light on the engine start button will turn red.
 - If the engine has failed to start after three attempts the engine start button can be pushed again to begin the automatic start sequence.
 - The red engine stop button can be pushed at any time during the automatic start sequence to abort the engine start attempt.

OPERATION

STOPPING THE GENERATOR

Normal Operation

During normal operation, use the following steps to stop your generator:

1. Remove any connected loads from the control panel receptacles.
2. Allow the generator to run at “no load” to reduce and stabilize engine and alternator temperatures.
3. If you are operating on gas move the fuel shut off valve to **OFF** (see Figure 12). If you are operating on propane shut off the tank valve (see Figure 13). Wait for engine to shut off due to lack of fuel.
4. Position the engine control switch to **STOP** (see Figure 14).

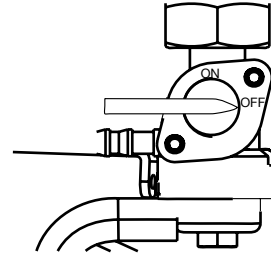


Figure 12 - Fuel Shut Off - OFF

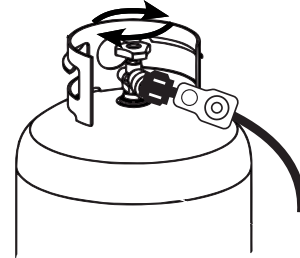


Figure 13 - Propane Tank Valve - CLOSED

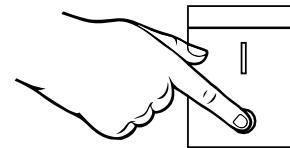
NOTICE

If you plan on running the generator on the same fuel source next time you start it then you can simply hit the Push Button Start button once or click **STOP** on wireless remote key FOB. The carburetor does not have to be purged if you plan on starting the generator on the same fuel source that was last used.

During an Emergency

If there is an emergency and the generator must be stopped quickly, position the engine control switch to the **STOP** position immediately.

RUN



STOP

Figure 14 - Engine Switch - STOP

MAINTENANCE



BEFORE PERFORMING MAINTENANCE ON THE GENERATOR, REVIEW THE SAFETY SECTION STARTING ON PAGE 5, AS WELL AS THE FOLLOWING SAFETY MESSAGES.

⚠ WARNING



Avoid accidentally starting the generator during maintenance by removing the spark plug boot from the spark plug. For electric start generators, also disconnect the battery cables from the battery (disconnect the black negative (-) cable first) and place the cables away from the battery posts to avoid arcing.



Allow hot components to cool to the touch prior to performing any maintenance procedure.

⚠ WARNING



Internal pressure can build in the engine crankcase while the engine is running. Removing the oil fill plug/dipstick while the engine is hot can cause extremely hot oil to spray out of the crankcase and can severely burn skin. Allow engine oil to cool for several minutes before removing the oil fill plug/dipstick.




Always perform maintenance in a well-ventilated area. Gasoline fuel and fuel vapors are extremely flammable and can ignite under certain conditions.

MAINTENANCE

MAINTENANCE SCHEDULE

⚠ WARNING




Failure to perform periodic maintenance or not following maintenance procedures can cause the generator to malfunction and could result in death or serious injury.

NOTICE

Periodic maintenance intervals vary depending on generator operating conditions. Operating the generator under severe conditions, such as sustained high-load, high-temperature, or unusually wet or dusty environments, will require more frequent periodic maintenance. The intervals listed in the maintenance schedule should be treated only as a general guideline.

⚠ CAUTION



Avoid skin contact with engine oil or gasoline. Prolonged skin contact with engine oil or gasoline can be harmful. Frequent and prolonged contact with engine oil may cause skin cancer. Take protective measures and wear protective clothing and equipment. Wash all exposed skin with soap and water.

Following the maintenance schedule is important to keep the generator in good operating condition. The following is a summary of maintenance items by periodic maintenance intervals.

TABLE 1: MAINTENANCE SCHEDULE - OWNER PERFORMED

Maintenance Item	Before Every Use	After First 20 Hours or First Month of Use	After 50 Hours of Use or Every 6 Months	After 100 Hour of Use or Every 6 Months	After 300 Hours of Use or Every Year
Engine Oil	Check Level	Change	Change	-	-
Cooling Features	Check/Clean	-	-	-	-
Air Filter	Check	-	Clean*	-	Replace
Spark Plug	-	-	-	Check/Clean	Replace
Spark Arrestor	-	-	-	Check/Clean	-

*Service more frequently if operating in dry and dusty conditions

TABLE 2: MAINTENANCE SCHEDULE - AUTHORIZED WESTINGHOUSE SERVICE DEALER PERFORMED

Maintenance Item	Before Every Use	After First 20 Hours or First Month of Use	After 50 Hours of Use or Every 6 Months	After 100 Hour of Use or Every 6 Months	After 300 Hours of Use or Every Year
Valve Clearance	-	-	-	-	Check/Adjust
Fuel Filter	-	-	-	Check/Clean	-
Idle Speed	-	-	-	-	Check/Adjust

MAINTENANCE

ENGINE OIL MAINTENANCE

Engine Oil Specification

1. Only use the engine oil specified in Figure 15.
2. Only use 4-stroke/cycle engine oil. **NEVER USE 2-STROKE/CYCLE OIL.** Synthetic oil is an acceptable substitute for conventional oil.

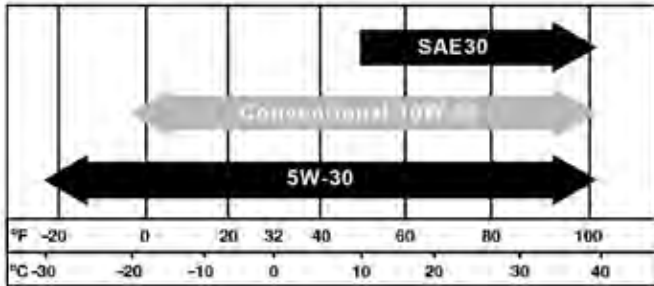


Figure 15 - Recommended Oil

CHECKING ENGINE OIL

NOTICE

Always maintain proper engine oil level. Failure to maintain proper engine oil level could result in severe damage to the engine and/or shorten the life of the engine. Always use the specified engine oil. Failure to use the specified engine oil can cause accelerated wear and/or shorten the life of the engine.

Engine oil level should be checked before every use.

1. Always operate or maintain the generator on a flat surface.
2. Stop engine if running.
3. Let engine sit and cool for several minutes (allow crankcase pressure to equalize).
4. With a damp rag, clean around the oil fill plug/dipstick.
5. Remove oil fill plug/dipstick (see Figure 16 below).

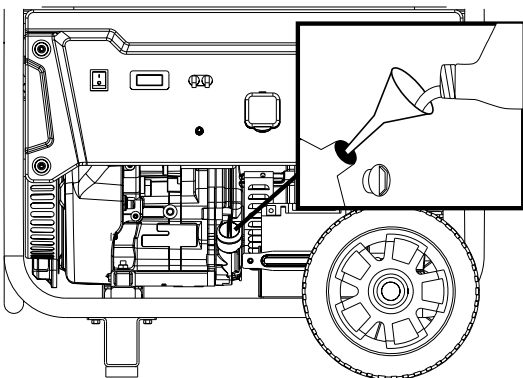


Figure 16 - Oil Fill Plug/Dipstick

6. Check oil level: When checking the engine oil, remove the oil fill plug/dipstick and wipe it clean. Thread the oil fill plug/dipstick all the way back in and then remove and check the oil level on the oil fill plug/dipstick.
 - **Acceptable Oil Level** – Oil is visible on the crosshatches between the H and L lines on the oil fill plug/dipstick (see Figure 17).
 - **Low Oil** – Oil is below the L line on the oil fill plug/ dipstick.

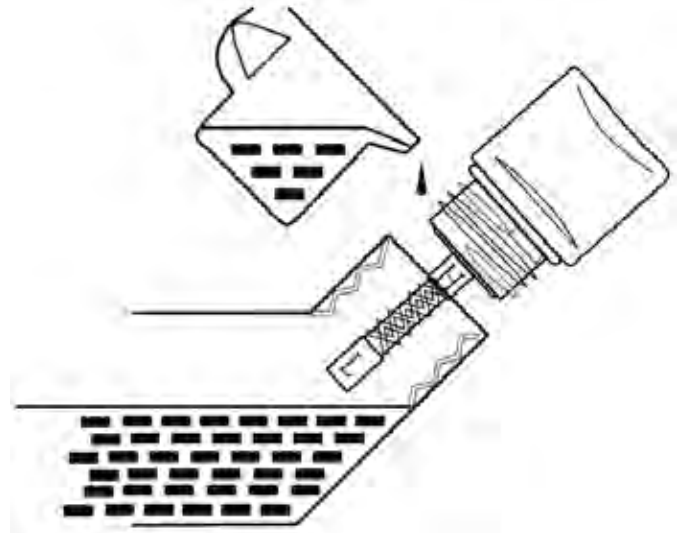


Figure 17 - Checking Oil Level

ADDING ENGINE OIL

1. Always operate or maintain the generator on a flat surface.
2. Stop engine if running.
3. Let engine sit and cool for several minutes (allow crankcase pressure to equalize).
4. Thoroughly clean around the oil fill plug/dipstick.
5. Remove oil fill plug/dipstick and wipe clean.
6. Select the proper engine oil as specified in Figure 15.
7. Using the supplied funnel and tube, slowly add engine oil to the engine. Stop frequently to check the level to avoid overfilling.
8. Continue to add oil until the oil is at the correct level. See Figure 17.

MAINTENANCE

CHANGING ENGINE OIL

1. Stop the engine.
2. Let engine sit and cool for several minutes (allow crankcase pressure to equalize).
3. Place oil pan (or suitable container) under the oil drain plug (see Figure 18).
4. With a damp rag, thoroughly clean around the oil drain plug.
5. Remove the oil drain plug (see Figure 18). Once removed, place the oil drain plug on a clean surface.

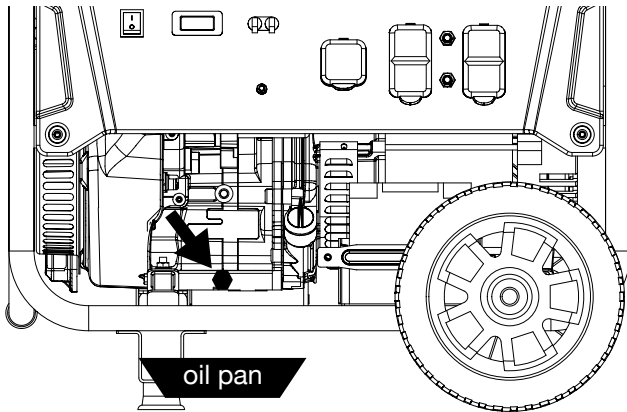


Figure 18 - Oil Drain Plug

6. Allow oil to completely drain.
7. Replace oil drain plug.
8. Fill crankcase with oil following the steps outlined in *Adding Engine Oil* on page 24.

NOTICE

Never dispose of used engine oil by dumping the oil into a sewer, on the ground, or into ground water or waterways. Always be environmentally responsible. Follow the guidelines of the EPA or other governmental agencies for proper disposal of hazardous materials. Consult local authorities or reclamation facility.

AIR FILTER MAINTENANCE

WARNING



Never use gasoline or other flammable solvents to clean the air filter. Use only household detergent soap to clean the air filter.

Cleaning the Air Filter

The air filter must be cleaned after every 50 hours of use or 3 months (frequency should be increased if generator is operated in a dusty environment).

1. Turn off the generator and let it cool for several minutes if running.
2. Move the generator to a flat, level surface.
3. Unclip the clips on the top and bottom of the air filter cover (Figure 19).

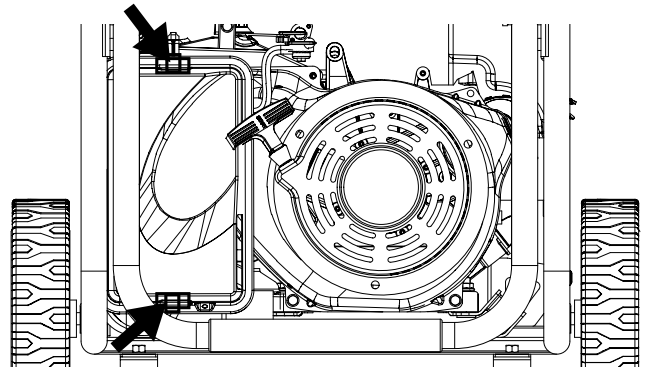


Figure 19 - Clips on air filter

4. Remove the black coarse air filters.
5. Wash the foam air filter elements by submerging the elements in a solution of household detergent soap and warm water. Slowly squeeze the foam to thoroughly clean.

NOTICE

NEVER twist or tear the foam air filter element during cleaning or drying. Only apply slow but firm squeezing action.

6. Rinse in clean water by submerging the air filter elements in fresh water and applying a slow squeezing action

MAINTENANCE

Cleaning the Air Filter - Continued from Page 25

NOTICE

Never dispose of soap cleaning solution used to clean the air filter by dumping the solution into a sewer, on the ground, or into ground water or waterways. Always be environmentally responsible. Follow the guidelines of the EPA or other governmental agencies for proper disposal of hazardous materials. Consult local authorities or reclamation facility.

7. Dispose of used soap cleaning solution properly.
8. Dry the air filter elements by again applying a slow firm squeezing action.
9. Once the air filters are dry, coat the air filters with clean engine oil (see Figure 20 below).



Figure 20

10. Squeeze the filters to remove any excess oil.
11. Install the filters back into the unit. If there are two filters make sure the gray (fine) air filter goes in first followed by the black (coarse) air filter on the outside.
12. Install the air filter cover and secure the air filter assembly.

SPARK PLUG MAINTENANCE

The spark plug must be checked and cleaned after every 100 hours of use or 6 months and must be replaced after 300 hours of use or every year.

1. Stop the generator and let it cool for several minutes if running.
2. Move the generator to a flat, level surface.
3. Remove the spark plug boot by firmly pulling the plastic spark plug boot handle directly away from the engine (see Figure 21).

NOTICE

Never apply any side load or move the spark plug laterally when removing the spark plug. Applying a side load or moving the spark plug laterally may crack and damage the spark plug boot.

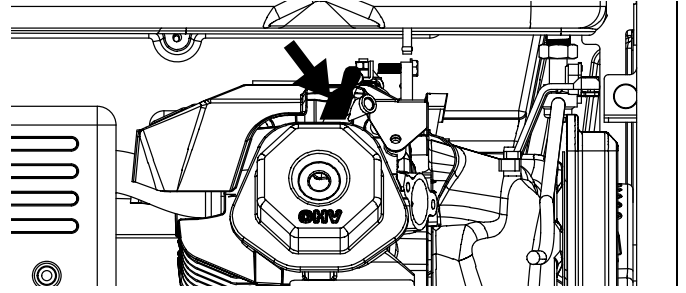


Figure 21 - Remove Spark Plug Boot

4. Clean area around the spark plug.
5. Using the 13/16" spark plug socket wrench provided, remove the spark plug from the cylinder head.
6. Place a clean rag over the opening created by the removal of the spark plug to make sure no dirt can get into the combustion chamber.

Inspect the spark plug for:

- Cracked or chipped insulator
- Excessive wear
- Spark plug gap (the acceptable limit of 0.027–0.032 in. [0.70 – 0.80 mm]) (see Figure 22).

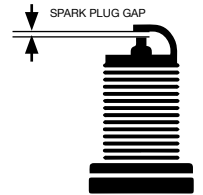


Figure 22

NOTICE

Use only recommended spark plugs when servicing. The manufacturer is not responsible for engine damage when using spark plugs not recommended by the manufacturer.

7. Install the spark plug by carefully following the steps outlined below:
 - a. Carefully insert the spark plug back into the cylinder head. Hand-thread the spark plug until it bottoms out.
 - b. Using the 13/16" spark plug socket wrench provided, turn the spark plug to ensure it is fully seated.
 - c. Replace the spark plug boot, making sure the boot fully engages the spark plug's tip.

Recommended Spark Plug Replacement:

AC Delco: 4EXLS
Autolite: 52
Champion: N9YC
Bosch: W7DC
Torch: F7TC

MAINTENANCE

CHECKING AND ADJUSTING VALVE LASH

⚠ CAUTION



Checking and adjusting valve lash must be done when the engine is cold.

1. Remove the rocker arm cover and carefully remove the gasket. If the gasket is torn or damaged, it must be replaced.
2. Remove the spark plug so the engine can be rotated more easily.
3. Rotate the engine to top dead center (TDC) of the compression stroke. Looking through the spark plug hole, the piston should be at the top.
4. Both the rocker arms should be loose at TDC on the compression stroke. If they are not, rotate the engine 360°.
5. Insert a feeler gauge between the rocker arm and the push rod and check for clearance (see Figure 23). See Table 2 for valve lash specifications

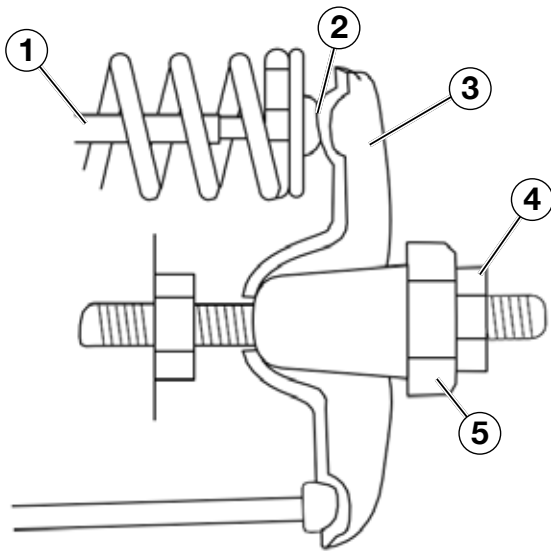


Figure 23

(1) Push Rod, (2) Feeler Gauge Area
(3) Rocker Arm, (4) Jam Nut, (5) Adjusting Nut

(Table 2) Standard Valve Lash

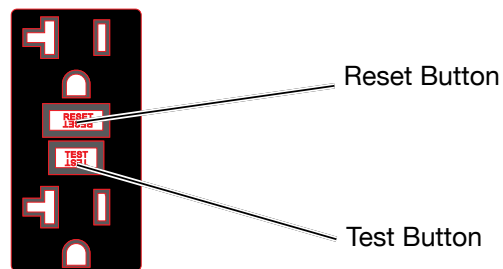
	Intake Valve	Exhaust Valve
Valve Lash	0.0035 ± 0.0043 in (0.09 ± 0.11 mm)	0.0043 ± 0.0051 in (0.11 ± 0.13 mm)
Bolt Torque	8-12N.m	8-12N.m

6. If an adjustment is required, hold the adjusting nut and loosen the jam nut.

7. Turn the adjusting nut to obtain the correct valve lash. When the valve lash is correct, hold the adjusting nut and tighten the jam nut to 106 in-lb (12 N•m).
8. Recheck the valve lash after tightening the jam nut.
9. Perform this procedure for both the intake and exhaust valves.
10. Install the rocker arm cover, gasket and spark plug.

TESTING GFCI OUTLETS

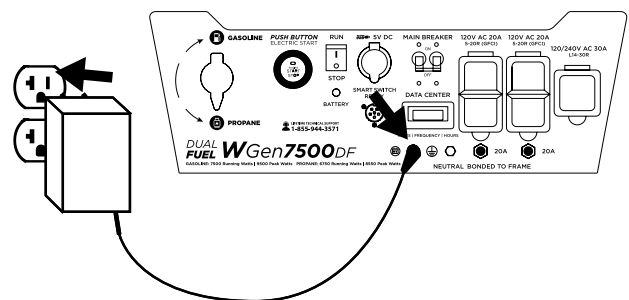
1. Start the generator and allow it to warm up.
2. Press the test button on the GFCI outlet.



3. The reset button should pop out and there will be no power from the outlets. If the reset button does not pop out, the GFCI outlet is not working correctly and must be repaired before the generator can be operated.
4. Press the reset button to restore power to the outlet.

BATTERY SERVICE

To ensure the battery remains charged, the generator should be started every 2 to 3 months and run for a minimum of 15 minutes or the charger (included) should be plugged into the generator and the generator should be charged overnight. Make sure the engine control switch is in the “RUN” position when charging. Plug the cord from the charger into the charging port on the generator. Plug the charger into a 110/120-volt AC outlet.



MAINTENANCE

Battery Replacement

1. Remove the spark plug wire from spark plug.
2. Loosen and remove the bolt on the battery hold-down plate and swing the plate out.
3. Tip the battery forward slightly to access battery cables.
4. Disconnect the black negative (-) battery cable from the battery first.
5. Disconnect the red positive (+) battery cable second and remove the battery.

NOTICE

Dispose of the used battery properly according to the guidelines established by your local or state government.

6. Install the new battery into the generator frame.
7. Connect the red positive (+) battery cable to the battery first.
8. Connect the black negative (-) battery cable to the battery second.
9. Install the battery hold-down plate using the nuts removed in step 2.
10. Install the spark plug wire onto spark plug.

See below for the battery specification when replacing the battery.

Westinghouse Part No.	100557
After Market Battery Model	YT9A
Volts	12
Amp Hr	9
Dimensions	5 5/16in by 3in by 5 3/8in

CLEANING THE GENERATOR

It is important to inspect and clean the generator before every use.

Clean All Engine Air Inlet and Outlet Ports – Make sure all engine air inlet and outlet ports are clean of any dirt and debris to ensure the engine does not run hot.

Clean All Engine Cooling Fins – Use a damp rag and a brush to loosen and remove all dirt on or around the engine's cooling fins.

Clean All Alternator Cooling Air Inlets and Exhaust Ports – Make sure the cooling air inlets and exhaust ports of the alternator are free of any debris and obstructions. Use a vacuum cleaner to remove dirt and debris stuck in the cooling air inlets and exhaust ports.

General Cleaning of the Generator – Use a damp rag to clean all remaining surfaces.

STORING GENERATOR

WARNING



Never store a generator with fuel in the tank indoors or in a poorly ventilated area where the fumes can come in contact with an ignition source such as a: 1) pilot light of a stove, water heater, clothes dryer or any other gas appliance; or 2) spark from an electric appliance.

NOTICE

Gasoline stored for as little as 60 days can go bad, causing gum, varnish and corrosive buildup in fuel lines, fuel passages and the engine. This corrosive buildup restricts the flow of fuel, preventing an engine from starting after a prolonged storage period.

Proper care should be taken to prepare the generator for any storage.

1. Make sure the Engine Switch is switched to **STOP** so the generator does not draw power from battery.
2. Clean the generator as outlined in *Cleaning the Generator*.
3. Drain all gasoline from the fuel tank as best as possible.
4. With the fuel shut off valve open, start the engine and allow the generator to run until all the remaining gasoline in the fuel lines and carburetor is consumed and the engine shuts off. If you used propane the last time you ran the generator: start the unit up with propane then shut off the propane tank valve allowing the engine to use up all the remaining propane in the carburetor before it shuts off.
5. Close the fuel shut off valve.
6. Change the oil (see Changing Engine Oil on page 25).
7. Remove the spark plug (see Spark Plug Maintenance on page 26) and place about 1 tablespoon of oil in the spark plug opening. While placing a clean rag over the spark plug opening, slowly pull there coil handle to allow the engine to turn over several times. This will distribute the oil and protect the cylinder wall from corroding during storage.
8. Replace the spark plug (see Spark Plug Maintenance on page 26).
9. Move the generator to a clean, dry place for storage.

TROUBLESHOOTING

⚠ WARNING



Before attempting to service or troubleshoot the generator, the owner or service technician must first read the owner's manual and understand and follow all safety instructions. Failure to follow all instructions may result in conditions that can lead to voiding of the EPA certification or product warranty, serious personal injury, property damage or even death.

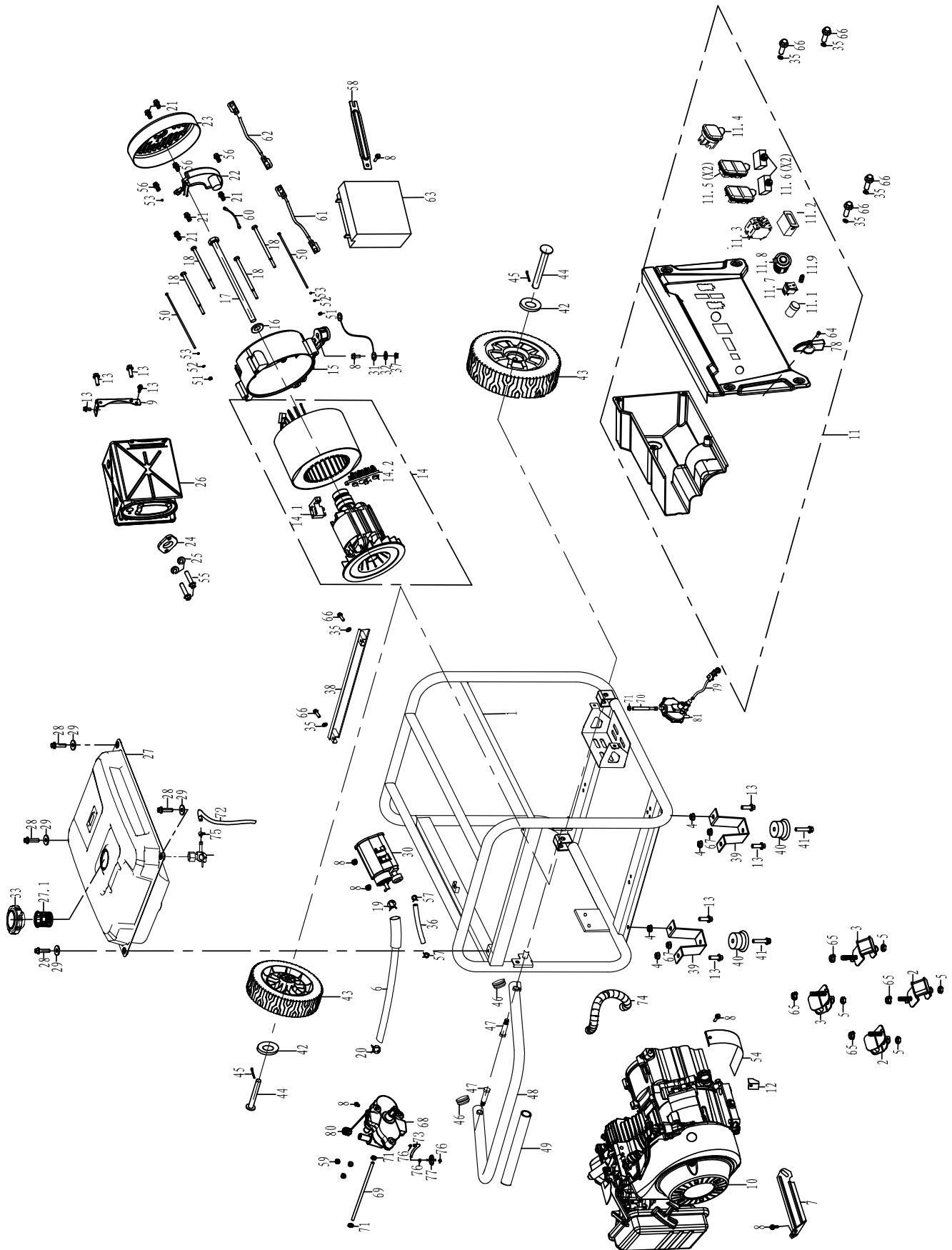
PROBLEM	POTENTIAL CAUSE	SOLUTION
Engine is running, but no electrical output	1. Circuit breakers are tripped.	1. Reset the circuit breakers and check for overload condition.
	2. The power cord's plug connector is not fully engaged in the generator's outlet.	2. Verify plug connector is firmly engaged in the generator's outlet. If using the 240V outlet, make sure plug connector is rotated 1/4 turn in the clockwise direction.
	3. Faulty or defective power cord	3. Replace power cord.
	4. Faulty or defective electrical appliance	4. Try connecting a known good appliance to verify the generator is producing electrical power.
	5. GFCI outlet is tripped	5. Press the reset button on the GFCI outlet (see page 27).
	6. If trying 1-5 above does not solve the problem, the cause might be the generator has a fault.	6. Take the generator to your nearest authorized service dealer.
Engine will not start or remain running while trying to start.	1. Fuel shutoff valve is in the OFF position.	1. Move the fuel shut off valve to the ON position (see Figure 9 page 21).
	2. Generator is out of gasoline.	2. Add gasoline to the generator (see page 19).
	3. Fuel flow is obstructed.	3. Inspect and clean fuel delivery passages.
	4. Starting battery may have insufficient charge	4. On electric start models only. Check battery output and charge battery as necessary.
	5. Dirty air filter	5. Check and clean the air filter (see page 25).
	6. Low oil level shut down switch is preventing the unit from starting.	6. Check oil level and add oil if necessary (see page 24).
	7. Spark plug boot is not fully engaged with the spark plug tip.	7. Firmly push down on the spark plug boot to ensure the boot is fully engaged
	8. Spark plug is faulty.	8. Remove and check the spark plug. Replace if faulty (see page 26).
	9. Dirty/plugged spark arrestor	9. Check and clean the spark arrestor.
	10. Stale fuel	10. Drain fuel and replace with fresh fuel.
	11. If trying 1-10 above does not solve the problem, the cause might be the generator has a fault.	11. Take the generator to your nearest authorized service dealer.
Generator suddenly stops running.	1. Generator is out of fuel.	1. Check fuel level. Add fuel if necessary.
	2. The low oil shut down switch has stopped the engine.	2. Check oil level and add oil if necessary (see page 24).
	3. Too much load	3. Restart the generator and reduce the load.
	4. If trying 1-3 above does not solve the problem, the cause might be a fault in the generator.	4. Take the generator to your nearest authorized service dealer.

TROUBLESHOOTING

PROBLEM	POTENTIAL CAUSE	SOLUTION
Engine runs erratic; does not hold a steady RPM.	1. Dirty air filter	1. Clean the air filter (see pages 25-26).
	2. Applied loads maybe cycling on and off	2. As applied loads cycle, changes in engine speed may occur; this is a normal condition.
	3. If trying 1-3 above does not solve the problem, the cause might be a fault in the generator	3. Take the generator to your nearest authorized service dealer.
Push button start is not working and the cranking speed drops after each attempt.	1. Battery is not adequately charged	1. Turn the engine switch to "Run" and hook up the battery charger (provided) for 1 hour. 2. Try manually starting the generator to let the battery charge while it is operating.
Frost on the propane tank or regulator	1. This can be a normal occurrence caused when liquid propane changes phase to a gas. As this process occurs the fuel tank or regulator will cool and allow humid air surrounding the propane tank or regulator to condense into frost.	1. As this can be normal, providing all the propane fuel handling equipment is functioning normally, no remedy is needed.
	2. The propane tank is not equipped with a OPD (rollover protection device) and has been stored in a horizontal position allowing liquid propane to enter the downstream fuel handling equipment.	2. If you suspect your propane fuel tank is not equipped with a OPD device, discontinue operation immediately and replace the propane fuel tank with a propane tank equipped with a roll over protection device.
	3. Propane fuel tank over filled.	3. If you suspect your propane fuel tank has been overfilled, discontinue operation immediately and return the propane fuel tank to the place of purchase or refilling.
Propane fuel smell	1. Fuel regulator or fuel hose and fittings not securely sealed.	1. Using a soap solution check each connection and tighten as needed.
	2. Propane fuel regulator vent active.	2. The propane fuel regulator is equipped with a small vent that will allow a small amount of propane fuel vapor to escape from the regulator when the propane tank valve is opened. This can be normal providing the venting of the propane is brief. If you suspect that this is abnormal, immediately discontinue use and have the propane regulator inspected by a qualified technician.
	3. Residual fuel from the carburetor dispersing after operation.	3. Normal, no remedy is needed.
Poor performance or engine stalling	1. Propane fuel line kinked or crushed.	1. Inspect propane fuel line and remove kinks or other obstructions.
	2. Fuel selector valve not properly positioned.	2. Rotate the fuel valve fully until the pointer is directly in line with the desired fuel.
	3. Gasoline not purged from the carburetor before switching to propane.	3. Turn the propane fuel tank valve to closed. Move the fuel selector valve to propane. Turn the gasoline fuel valve to off. Start the engine and allow the engine to run until the fuel has been consumed in the carburetor. Begin propane start up procedure.

WGen750DF SCHEMATIC

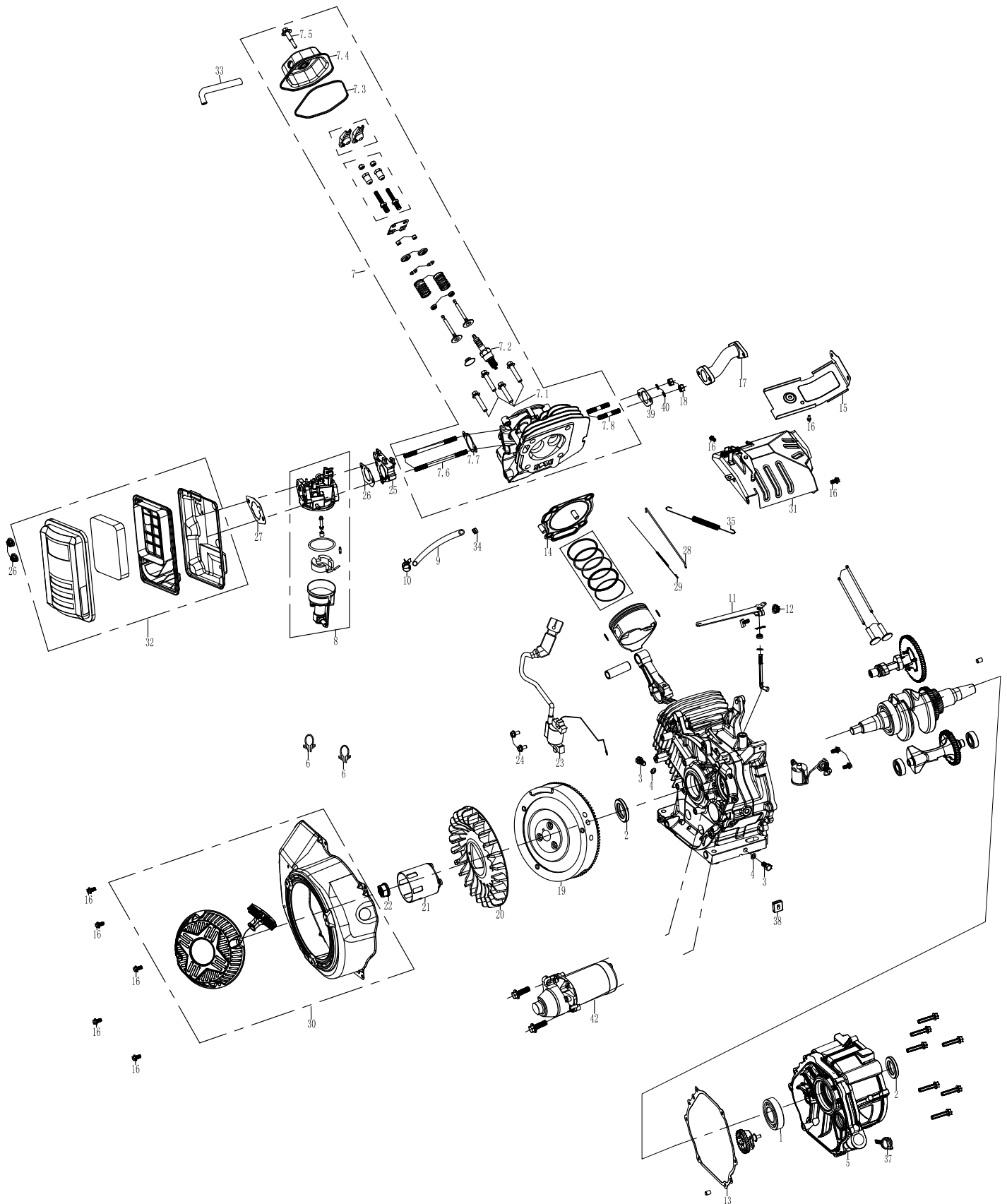
WGen7500DF EXPLODED VIEW



WGen7500DF EXPLODED PART NO.

No.	Part.	Description						
1	100500	Frame	27	150546	Fuel Tank	66	130536	M6X16
2	100552	Damper	27.1	150506	Fuel Strainer	67	130537	M6 Nut
3	100553	Damper	28	120541	M6X25	68	130538	Fuel Selector Valve
4	100520	M8 Nut	29	150547	M6 Washer	69	100586	Fuel Hose
5	180524	M8 Nut	30	150512	Carbon Canister	70	100587	Fuel Hose
6	150507	Hose	31	120542	Ground Strap	71	100588	Hose Clamp
7	180563	Bracket	32	120508	M8 Washer	72	100589	Fuel Hose
8	120539	M6X12	33	150505	Fuel Tank Cap	73	100590	Fuel Hose
9	110504	Bracket	34	150548	Fuel Valve	74	100591	Conduit
10	180590	Engine Assy	35	100547	Washer	75	140508	Hose Clamp
11	130527	Control Panel Assy	36	150510	Hose	76	100592	Hose Clamp
11.1	130528	Start Switch	37	100548	M6 Nut	77	100593	Fuel Filter
11.2	130529	Hour Meter	38	100581	Bracket	78	130539	Fuel Selector Knob
11.3	130530	Circuit Breaker 2P31A	39	100512	Foot Bracket	79	100594	High Pressure Regulator
11.4	130531	L14-30 Receptacle	40	100515	Rubber Pad	80	100595	Regulator Cap
11.5	130532	R5-20 GFCI Receptacle	41	100582	M6X28	81	100560	Low Pressure Regulator
11.6	130533	Circuit Breaker 1P20A	42	100510	Washer			
11.7	130534	Stop Switch	43	100506	Wheel			
11.8	130540	Dual USB Port	44	100504	Axle Pin			
11.9	130517	Battery Indicator	45	100508	Cotter Pin			
12	180562	Dust Plate	46	100527	Plug			
13	100516	M8X16	47	100525	Handle Fastener			
14	120540	Alternator Assy	48	100521	Handle			
14.1	120502	Brush Assy	49	100523	Handle Cover			
14.2	120503	Terminal Block	50	120509	M5X224			
15	120504	Rear Bearing Carrier	51	120510	M5 Nut			
16	100540	Washer	52	120511	M5 Washer			
17	120514	M10X1.25X275	53	120512	M5 Lock Washer			
18	120513	M6X190	54	180561	Fan Guard			
19	150545	Hose Clamp	55	110503	M8X30			
20	140539	Hose Clamp	56	120518	M5X16			
21	120537	M5X12	57	150549	Hose Clamp			
22	120517	AVR	58	100558	Clamp			
23	120519	Alternator Cover	59	100583	M5 Nut			
24	110501	Gasket	60	120543	Ground Strap			
25	110502	Spring Washer	61	100555	Negative Lead			
26	110500	Muffler	62	100584	Positive Lead			
			63	100585	Battery			
			64	130535	Allen Head Bolt			
			65	100551	M10 Nut			

WGen7500DF ENGINE VIEW



WGen7500DF ENGINE PART NO.

No.	Part.	Description
1	180530	Ball Bearing
2	180504	Oil Seal
3	180507	Drain Plug
4	180508	Drain Plug Seal
5	180512	Crankcase Cover
6	170502	Harness Clamp
7	180514	Cylinder Head Assy
7.2	180526	Spark Plug
7.3	180528	Valve Cover Gasket
7.4	180527	Valve Cover
7.5	180529	Valve Cover Bolt
7.6	140503	M6 Stud
7.7	140504	Gasket
7.8	180523	M10X80 Stud
8	140536	Carburetor Assy
9	140538	Fuel Hose
10	180586	Low Oil Switch
11	180515	Governor Arm
12	100548	M6 Nut
13	180511	Gasket
14	180513	Cylinder Head Gasket
15	180520	Heat Shield
16	120505	M6X12
17	180521	Exhaust Pipe

18	180524	M8 Nut
19	180583	Flywheel Assy
20	180502	Engine Cooling Fan
21	180501	Starter Cup
22	180500	Crankshaft Nut
23	180584	Ignition Coil Assy
25	140502	Spacer
26	140501	Gasket
27	140537	Gasket
28	180516	Governor Linkage
29	180517	Throttle Spring
30	170500	Recoil Assy
31	180519	Heat Shield
32	160500	Air Cleaner Assy
33	180533	Vent Hose
34	140506	Fitting
35	180518	Governor Spring
37	180585	Dipstick
38	180510	Grommet
39	180522	Gasket
40	110502	M8 Lock Washer
41	180589	M6X8
42	170503	Engine Starter



WestinghousePortablePower.com

Service Hotline: (855) 944-3571

**777 Manor Park Drive
Columbus, OH 43228**

™ & © 2016 Westinghouse Electric Corporation
© 2016 MWE Investments, LLC. All Rights Reserved.

Version 5.31.17KD